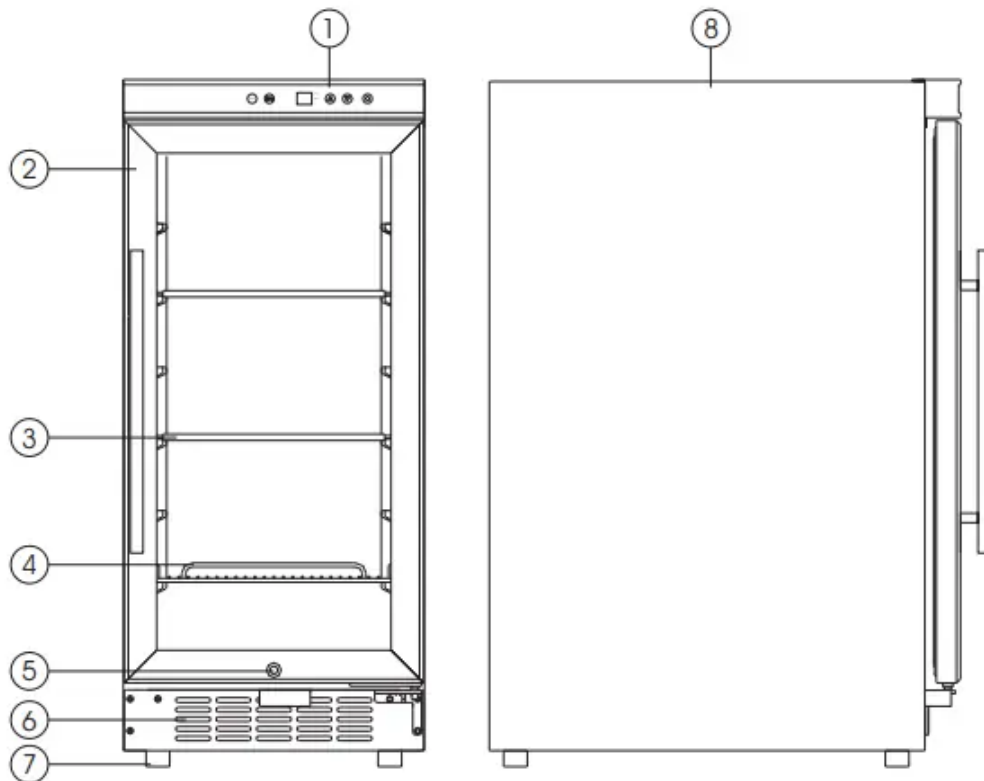


Parts and Features

Model: DEBC 145



Components:

1. Digital control panel
2. UV tinted triple glaze door
3. Glass shelf (total 1)
4. Wire shelf (total 2)
5. Door Lock
6. Front Ventilation
7. Levelling legs (4)
8. Cabinet

Dimensions:

Height 855mm

Width 595mm

Depth 615mm

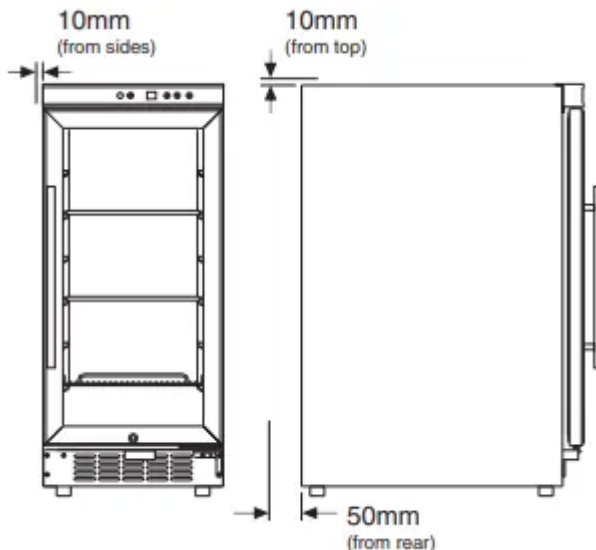
Installation

Installation of your Beverage Cabine

- This appliance is designed to be for free standing installation or built-in (fully recessed).
- Place your Beverage Cabinet on a floor that is strong enough to support it when it is fully loaded. To level your Beverage Cabinet, adjust the front levelling legs at the bottom of the Beverage Cabinet.
- Locate the Beverage Cabinet away from direct sunlight and sources of heat (stove, heater, radiator, etc.). Direct sunlight may affect the acrylic coating and heat sources may increase electrical consumption. Extreme cold ambient temperatures may also cause the unit not to perform properly.
- Avoid locating the unit in moist areas.
- Plug the Beverage Cabinet into an exclusive, properly installed-grounded wall outlet. Do not under any circumstances cut or remove the third ground) prong from the power cord. Any questions concerning power and/or grounding should be directed toward a certified electrician or an authorised service center

Clearances

- Clearances required for the Beverage Cabinet to adjacent surfaces are 10mm from top and sides, and 50mm from rear



Reversing the Door Swing of Your Appliance

- This appliance has the capability of the door opening from either the left or right side. The unit is delivered to you with the door opening from the left side. Should you desire to reverse the opening direction, please call service for reversal instructions.

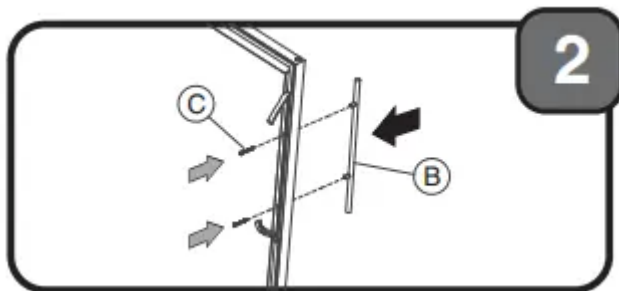
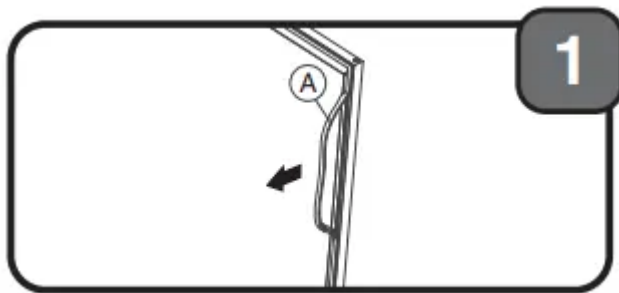
Installing stainless steel handle

This Beverage Cabinet includes a stainless steel handle that is not required to operate this unit.

To install the handle please follow the below instructions:

For your convenience the screws used in the installation of the handle have been put in place at the factory.

- Pull away the door gasket (A) in the area where the handle is to be installed on the left side as in Illustration #1. The gasket is easily displaced by hand, no tools are necessary.
- Align the handle (B) with the screws installed. Tighten the screws (C) using a Phillips head screwdriver until the handle sets both flush and secured tightly against the door frame. (DO NOT over tighten as this will cause damage to the handle assembly).
- Replace the door gasket (A) to its original position.
- If you choose not to use the handle supplied, simply follow step 1 to access the installation screws and remove them and then place the two decorative plugs into the two holes separately. Continue on to step 3 to replace the door gasket to its original position.



Using Your Beverage Cabinet



- The temperature range of this Beverage Cabinet is 2°C to 10°C.
- It is recommended you install the Beverage Cabinet in a place where the ambient temperature is between 23°-26°C/ 72 ° -78 °F. If the ambient temperature is above or

below recommended temperatures, the performance of the unit may be affected. For example, placing your unit in extreme cold or hot conditions may cause interior temperatures to fluctuate and the range of 2°C to 10°C may not be reached.

- You can select temperature display setting from Fahrenheit to Celsius degree by touching the °F/°C mark. Fahrenheit or Celsius degrees indicator will appear in green color in the temperature display window.

ON/OFF Power

- To turn the appliance ON or OFF, press and hold the POWER button for 2 seconds.

To Lock the Control Panel

- Your Beverage Cabinet is equipped with an automatic Control panel lock function. This function will prevent any unwanted changes to your temperature or power settings.
- The lock function will activate automatically 12 seconds after the last time a button is pushed on the control panel.
- To unlock the control panel lock press and hold the UP and DOWN arrow buttons for 3 seconds the control panel will beep and blink once indicating that the control panel is active and the settings can be changed.

Setting the Temperature Control

- You can set the temperature as you desire by touching the UP or DOWN arrow buttons. When you touch the two buttons for the first time, the LED readout will show the original temperature set at previous time (the temperature preset at the factory is 2°C to 10°C).
- The temperature that you desire to set will increase 1°F or 1°C if you touch the UP button once, on the contrary the temperature will decrease 1°F or 1°C if you touch the DOWN button once.
- The temperature inside the unit will appear in blue in the display window.

NOTE:

- If the unit is unplugged, power lost, or turned off, you must wait 3 to 5 minutes before restarting the unit. If you attempt to restart before this time delay, the Beverage Cabinet will not start.
- When you use the Beverage Cabinet for the first time or restart the Beverage Cabinet after having been shut off for a long time, there could be a few degrees variance between the temperature you select and the one indicated on the LED readout. This is normal and it is due to the length of the activation time. Once the Beverage Cabinet is running for a few hours everything will be back to normal.

Interior Light

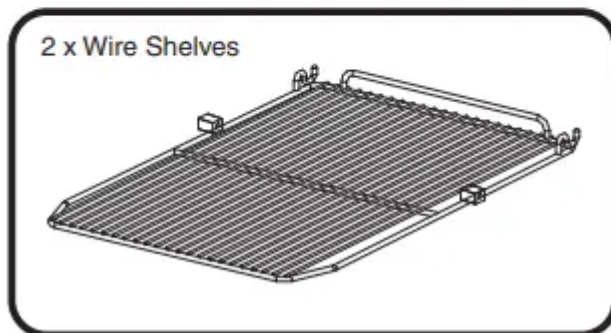
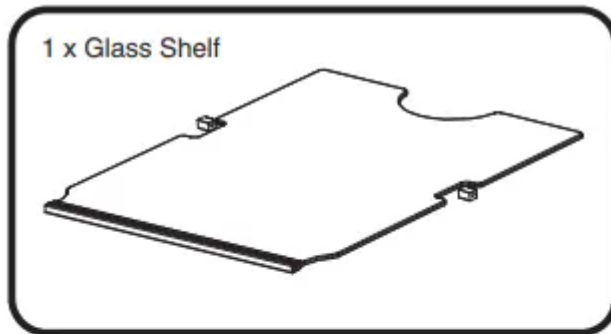
- You can turn the interior light ON or OFF by touching the BULB button.

Door Lock

- Your unit is provided with a lock and key combination.

The keys are located inside the plastic bag that contains the User's Guide. Insert the key into the lock and turn it counterclockwise to unlock the door. To lock the door do the reverse operation making sure metal pin is engaged completely. Remove the key and place it in a secure place for safekeeping.

Shelves



The Beverage Cabinet is equipped with one glass shelf and two wire shelves. You can move the shelves out and in smoothly.

- To prevent damaging the door gasket, make sure to have the door all the way opened when pulling the shelves outward.
- For easy access to the storage content, you can pull the shelves outward to gain access to the items on the rear portion of the shelf, however this unit was designed with a plastic post on each sides of the shelf track to prevent the shelves from falling.
- When removing the shelf out of the inner rail, make sure to remove all items first. Then move the shelf to the position where the notch of shelf is exactly under the plastic post and lift the shelf. In order to replace the shelf, repeat steps described above in reverse.

Care and Cleaning

Cleaning your Beverage Cabinet

- Turn off the power, unplug the appliance, and remove all items including shelves.

- Wash the inside surfaces with a warm water and baking soda solution. The solution should be about 2 tablespoons of baking soda to a quart of water.
- Wash the shelves with a mild detergent solution.
- Wring excess water out of the sponge or cloth when cleaning area of the controls, or any electrical parts.
- Wash the outside cabinet with warm water and mild liquid detergent. Rinse well and wipe dry with a clean soft cloth.
- Do not use steel wool or steel brush on the stainless steel. These will contaminate the stainless steel with steel particles and rusting may occur.

Power Failure

Most power failures are corrected within a few hours and should not affect the temperature of your appliance if you minimize the number of times the door is opened.

If the power is going to be off for a longer period of time, you need to take the proper steps to protect your contents.

Moving your Beverage Cabinet

- Remove all items.
- Securely tape down all loose items (shelves) inside your appliance.
- Turn the adjustable leg up to the base to avoid damage.
- Tape the door shut.
- Be sure the appliance stays secure in the upright position during transportation. Also protect outside of appliance with a blanket, or similar item.

EnergySavingTips

The Beverage Cabinet should be located in the coolest area of the room, away from heat producing appliances, and out of the direct sunlight.

Troubleshooting

Beverage Cabinet does not operate

- Not plugged in.
- The appliance is turned off.
- The circuit breaker tripped or a blown fuse.

Beverage Cabinet is not cold enough

- Check the temperature control setting.
- External environment may require a higher setting.
- The door is opened too often.

- The door is not closed completely.
- The door gasket does not seal properly.

Turns on and off frequently

The room temperature is hotter than normal.

- A large amount of contents has been added to the Beverage Cabinet.
- The door is opened too often.
- The door is not closed completely.
- The temperature control is not set correctly.
- The door gasket does not seal properly.

The light does not work

- Not plugged in.
- The circuit breaker tripped or a blown fuse.
- The light button is "OFF".

Vibrations

- Check to assure that the Beverage Cabinet is level.

The Beverage Cabinet seems to make too much noise.

- The rattling noise may come from the flow of the refrigerant, which is normal.
- As each cycle ends, you may hear gurgling sounds caused by the flow of refrigerant in your Beverage Cabinet.
- The Beverage Cabinet is not level.

The door will not close properly.

- The Beverage Cabinet is not level.
- The door was reversed and not properly installed.
- The gasket is dirty.
- The shelves are out of position.

Warning

This content is compiled from multiple sources and is provided for reference purposes only. It may not be complete or fully applicable to all situations. If you are unable to resolve your issue, please contact the product manufacturer or an authorized service provider for official support.