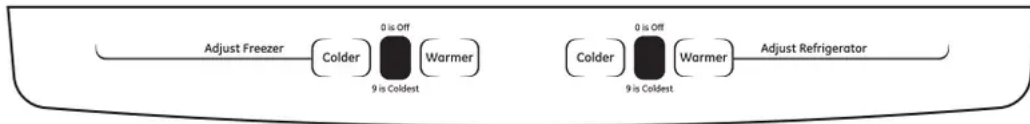


## Operating Instructions

About the controls with temperature settings.



*(on some models)*



*(on some models)*



*(on some models)*

**NOTE: The refrigerator is shipped with protective film covering the digital temperature controls. If this film was not removed during installation, remove it now.**

Initially, set the refrigerator control at **5** and the freezer control at **5**. Allow 24 hours for the temperature to stabilize. Several adjustments may be required. Adjust the controls one increment at a time, and allow 24 hours after each adjustment for the refrigerator to reach the temperature you have set.

Setting either or both controls to **0** for digital and **0** for the refrigerator control knob stops cooling in both the refrigerator and freezer compartments, but does not shut off electrical power to the refrigerator.

### About the water filter.

#### Water Filter Cartridge

The water filter cartridge is located in the back upper right corner of the refrigerator compartment.

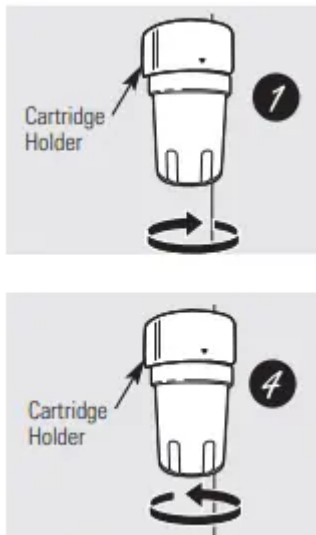




### When to Replace the Filter

The filter cartridge should be replaced when the flow of water to the icemaker decreases or every 6 months.

### Installing the Filter Cartridge



1. If you are replacing the cartridge, first remove the old one by slowly turning it to the left. DO NOT pull down on the cartridge. A small amount of water may drip down.
2. Remove the protective foil from the end of the cartridge.
3. Fill the replacement cartridge with water from the tap to allow for better flow from the icemaker.
4. Lining up the arrow on the cartridge and the cartridge holder, slowly rotate the cartridge clockwise until it stops. When the cartridge is properly installed, you will feel it "click" as it locks into place. **Do not overtighten.**

### Filter Bypass Plug

You must use the filter bypass plug when a replacement filter cartridge is not available. The icemaker will not operate without the filter or filter bypass plug.

## **Replacement Filters:**

**To order additional filter cartridges in the United States, visit our Website, [GEAppliances.com](http://GEAppliances.com), or call GE Parts and Accessories, 800.626.2002.**

Filter Model MWF

Customers in Canada should consult the yellow pages for the nearest Mabe Service Center.

## **About the shelves and bins.**

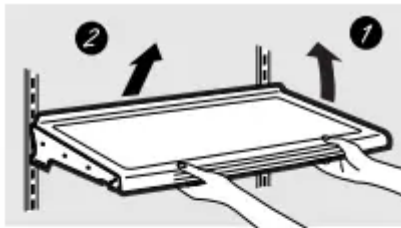
### **Rearranging the Shelves**

Shelves in the refrigerator compartment are adjustable.

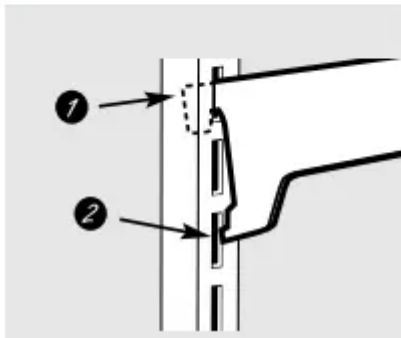
### **Refrigerator Compartment**

To remove:

1. Remove all items from the shelf.
2. Tilt the shelf up at the front.
3. Lift the shelf up at the back and bring the shelf out.



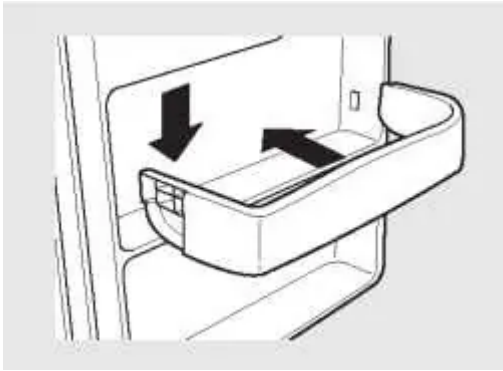
*Some models have wire shelves that can be adjusted in the same manner.*



To replace:

1. While tilting the shelf up, insert the top hook at the back of the shelf in a slot on the track.
2. Lower the front of the shelf until the bottom of the shelf locks into place.

**Non-Adjustable Shelves on the Door** (on some models)



**To remove:** Lift the shelf straight up; then pull out.

**To replace:** Engage the shelf in the molded supports on the door and push down. It will lock in place.

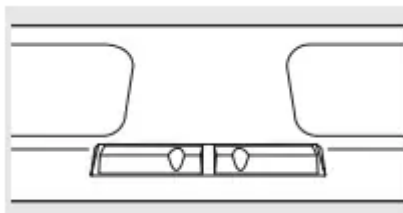
## **About the crispers and pans.**

### **Fruit and Vegetable Crisper**



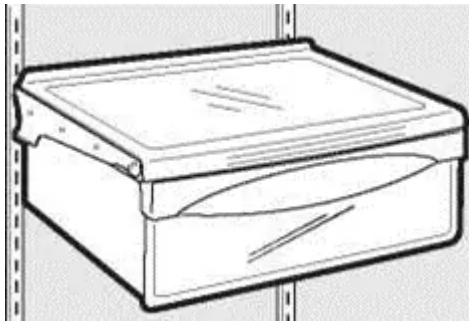
Excess water that may accumulate in the bottom of the drawers or under the drawers should be wiped dry.

### **Adjustable Humidity Crisper (on some models)**



Slide the control all the way to the HIGH setting to provide high humidity recommended for most vegetables. Slide the control all the way to the LOW setting to provide lower humidity levels recommended for most fruits.

### **Snack Pan (on some models)**

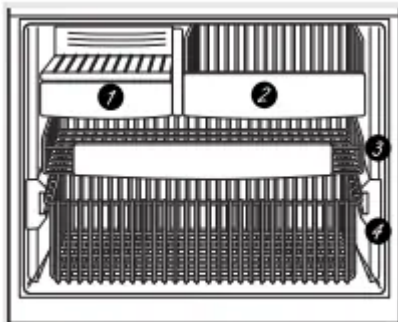


This pan can be moved to the most useful location for your family's needs.

**To remove**, slide the pan out to the **stop** position, lift the pan up and past the **stop** position and lift it out.

## About the freezer.

### Freezer Shelves and Baskets



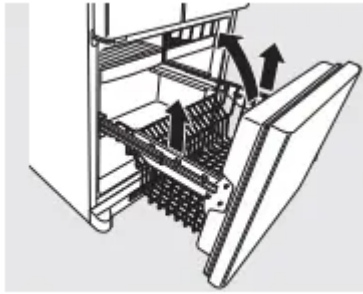
*Appearance and features may vary*

1. A shelf above the ice storage bin
2. A half-width basket
3. A deep full-width basket

### Basket Removal

#### To remove the deep full-width basket on freezer drawer models:

1. Open the freezer drawer until it stops.
2. The freezer basket rests on the inside tabs on the drawer slides.
3. Lift the basket so that it is out of all 6 slide bracket tabs.
4. Tilt the basket and lift out of the drawer.



*Appearance may vary*

**When replacing the deep full-width basket:**

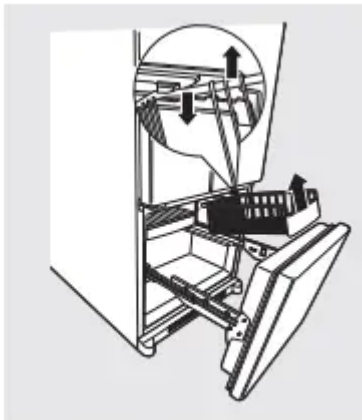
Tilt the basket back and lower it down into the drawer. Rotate the basket to a horizontal position and press it down into the 6 alignment tabs.

**To remove the half-width basket:**

1. Pull the basket out to the stop location.
2. Lift the basket up at the front to release it from the stop hooks on each side.
3. Lift the basket out to remove it from the sides.

**When replacing the basket,** make sure that the basket goes under the stop hooks on each side.

**NOTE:** Always be sure to fully close this basket.



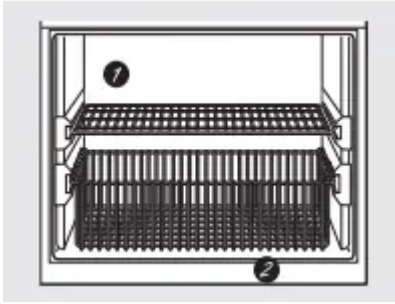
*Appearance may vary*

**About the freezer compartment (on some models)**

Not all features are on all models.



## Freezer Shelf and Basket



1. A full-width fixed wire shelf
2. A full-width sliding wire basket

**NOTE:** Do not fill basket higher than the rim of the basket. This may cause basket to stick or jam when opening or closing.

### Basket Removal



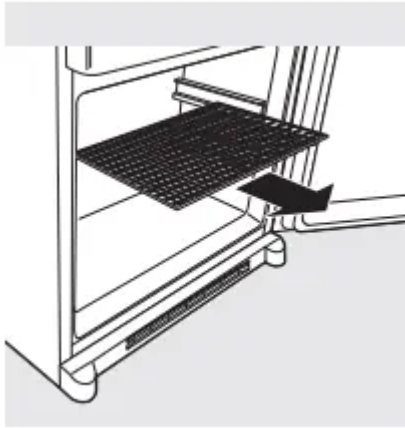
#### To remove the full-width sliding wire basket on door models:

1. Open the basket out to its full extension.
2. Lift up the front of the basket and pull straight out to remove.

#### When replacing the full-width sliding wire basket:

Insert the wire basket into the **lower** liner's rails and push back into place.

## Fixed Shelf Removal



**NOTE:** The full-width wire shelf is not intended to slide.

### To remove for cleaning:

Hold the shelf at the front and pull it firmly forward.

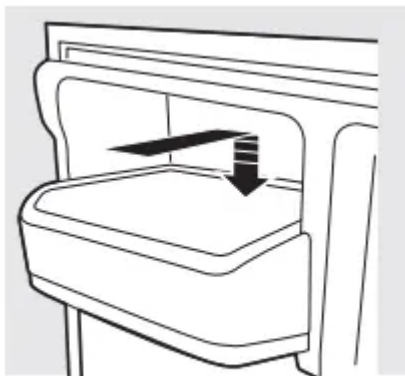
### When replacing the full-width sliding wire shelf:

Insert the wire shelf into the **upper** liner's rails and push back into place.

## Non-Adjustable Shelf on Freezer Door



*To remove*



*To replace*

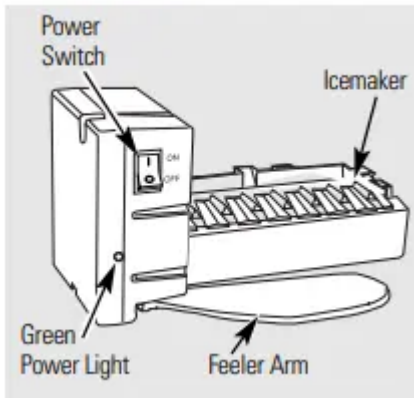
**To remove:** Lift the shelf straight up; then pull out.

**To replace:** Engage the shelf in the molded supports on the door and push down. It will lock in place.

## About the automatic icemaker.

A newly installed refrigerator may take 12 to 24 hours to begin making ice.

### Automatic Icemaker (on some models)



The icemaker will produce seven cubes per cycle—approximately 100-130 cubes in a 24-hour period, depending on freezer compartment temperature, room temperature, number of door openings and other use conditions.

See below for how to access ice and reach the power switch.

If the refrigerator is operated before the water connection is made to the icemaker, set the power switch in the **O** (off) position.

When the refrigerator has been connected to the water supply, set the power switch to the **I** (on) position. The icemaker power light will turn green when the freezer light switch is pressed in or when the freezer door is closed.

The icemaker will fill with water when it cools to 15°F (–10°C). A newly installed refrigerator may take 12 to 24 hours to begin making ice cubes.

You will hear a buzzing sound each time the icemaker fills with water.

Throw away the first few batches of ice to allow the water line to clear.

Be sure nothing interferes with the sweep of the feeler arm.

When the bin fills to the level of the feeler arm, the icemaker will stop producing ice. It is normal for several cubes to be joined together.

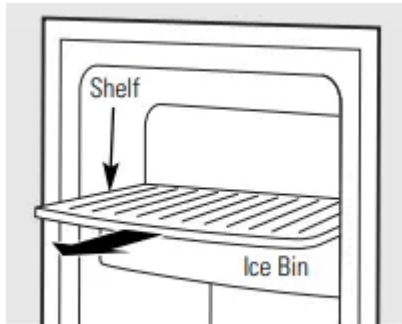
If ice is not used frequently, old ice cubes will become cloudy, taste stale and shrink.

NOTE: In homes with lower-than-average water pressure, you may hear the icemaker cycle multiple times when making one batch of ice.

NOTE: Set the power switch to the O (off) position if the water supply is shut off.

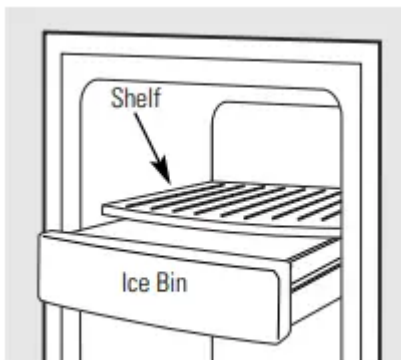
### Accessing Ice and Reaching the Power Switch

To reach the icemaker power switch, pull the shelf above the ice bin straight out. Always be sure to replace the shelf.



To reach the power switch.

To access ice, simply pull the bin forward.



To access ice.

### Icemaker Accessory Kit

If your refrigerator did not come already equipped with an automatic icemaker, an icemaker accessory kit is available at extra cost.

Check the back of the refrigerator for the specific icemaker kit needed for your model.

## Care and cleaning

### Cleaning the Outside

*The door handles and trim.* Clean with a cloth dampened with soapy water. Dry with a soft cloth. Do not use wax on the door handles and trim.

*Keep the outside clean.* Wipe with a clean cloth lightly dampened with kitchen appliance wax or mild liquid dish detergent. Dry and polish with a clean, soft cloth.

Do not wipe the refrigerator with a soiled dish cloth or wet towel. These may leave a residue that can erode the paint. Do not use scouring pads, powdered cleaners, bleach or cleaners containing bleach because these products can scratch and weaken the paint finish.

**The stainless steel panels and door handles.** Stainless steel (on some models) can be cleaned with a commercially available stainless steel cleaner. A spray-on stainless steel cleaner works best.

Do not use appliance wax or polish on the stainless steel.

## **Cleaning the Inside**

To help prevent odors, leave an open box of baking soda in the refrigerator and freezer compartments.

Unplug the refrigerator before cleaning. If this is not practical, wring excess moisture out of sponge or cloth when cleaning around switches, lights or controls.

Use an appliance wax polish on the inside surface between the doors.

Use warm water and baking soda solution— about a tablespoon (15 ml) of baking soda to a quart (1 liter) of water. This both cleans and neutralizes odors. Rinse and wipe dry.

After cleaning the door gaskets, apply a thin layer of petroleum jelly to the door gaskets at the hinge side. This helps keep the gaskets from sticking and bending out of shape.

Avoid cleaning cold glass shelves with hot water because the extreme temperature difference may cause them to break. Handle glass shelves carefully. Bumping tempered glass can cause it to shatter.

Do not wash any plastic refrigerator parts in the dishwasher.

## **Behind the Refrigerator**

Be careful when moving the refrigerator away from the wall. All types of floor coverings can be damaged, particularly cushioned coverings and those with embossed surfaces.

Raise the leveling legs located at the bottom front of the refrigerator.

Pull the refrigerator straight out and return it to position by pushing it straight in.

Moving the refrigerator in a side direction may result in damage to the floor covering or refrigerator.

Lower the leveling legs until they touch the floor.

When pushing the refrigerator back, make sure you don't roll over the power cord or icemaker supply line (on some models) and ensure the anti-tip bracket is engaged (if equipped).

## Preparing for Vacation

For long vacations or absences, remove food and unplug the refrigerator. Clean the interior with a baking soda solution of one tablespoon (15 ml) of baking soda to one quart (1 liter) of water. Leave the doors open.

Set the icemaker power switch to the *O (off)* position and shut off the water supply to the refrigerator.

If the temperature can drop below freezing, have a qualified servicer drain the water supply system (on some models) to prevent serious property damage due to flooding.

## Preparing to Move

Secure all loose items such as base grille, shelves and drawers by taping them securely in place to prevent damage.

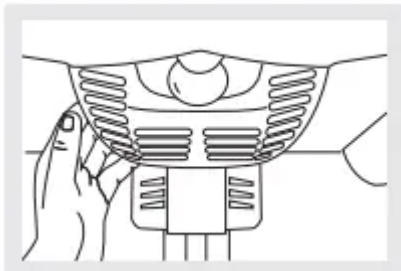
When using a hand truck to move the refrigerator, do not rest the front or back of the refrigerator against the hand truck. This could damage the refrigerator. Handle only from the sides of the refrigerator.

Be sure the refrigerator stays in an upright position during moving.

## Replacing the light bulbs.

Turning the control to the *0 (off)* position does not remove power to the light circuit

### Refrigerator Lights



1. Unplug the refrigerator.
2. To remove the light shield, grasp the shield at the back and pull out to release the tabs at the back.
3. Rotate the shield down and then forward to release the tabs at the front of the shield.
4. After replacing with an appliance bulb of the same or lower wattage, replace the shield.
5. Plug the refrigerator back in.

**NOTE:** Appliance bulbs may be ordered from GE Parts and Accessories, 800.626.2002.

### Freezer Light



*Appearance may vary*

1. Unplug the refrigerator.
2. The bulb is located at the top of the freezer inside a light shield. To remove the shield, grasp the shield at the back and pull out to release the tabs at the back.
3. Rotate the shield down and then forward to release the tabs at the front of the shield.
4. After replacing with an appliance bulb of the same or lower wattage, replace the shield.
5. Plug the refrigerator back in

## **TROUBLESHOOTING TIPS**

### **Normal Operating Conditions.**

Newer refrigerators sound different from older refrigerators

Modern refrigerators have more features and use newer technology

#### **Do you hear what I hear? These conditions are normal.**

- The new high efficiency compressor may run faster and longer than your old refrigerator and you may hear a high-pitched hum or pulsating sound while it is operating.
- You may hear a whooshing sound when the doors close. This is due to pressure equalizing within the refrigerator.

#### **CLICKS, POPS, CRACKS and SNAPS**

- You may hear cracking or popping sounds when the refrigerator is first plugged in. This happens as the refrigerator cools to the correct temperature.
- The freezer control will click when starting or stopping the compressor.
- Defrost timer snapping in and out of the defrost cycle
- Expansion and contraction of cooling coils during and after defrost can cause a cracking or popping sound.
- On models with an icemaker, after an ice making cycle, you may hear the ice cubes dropping into the ice bucket.

- On models with a dispenser, during water dispense, weder you may hear the water lines move at initial dispense and after dispenser button is released.
- You may hear the fans spinning at high speeds.This happens when the refrigerator is first plugged in, when the doors are opened frequently or when a large amount of food is added to the refrigerator or freezer compartments. The fans are helping to maintain the correct temperatures.
- The fans change speeds in order to provide optimal cooling and energy savings.

## WATER SOUNDS

- The flow of refrigerant through the cooling coils may make a gurgling noise like boiling water.
- Water dropping on the defrost heater can cause a sizzling, popping or buzzing sound during the defrost cycle.
- A water dripping noise may occur during the defrost cycle as ice melts from the evaporator and flows into the drain pan.
- Closing the door may cause a gurgling sound due to pressure equalization.

## Before you call for service...

| <b><i>Problem</i></b>  | <b><i>Possible Causes</i></b>                 | <b><i>What To Do</i></b>                          |
|--|---|---|
| <b><i>Refrigerator does not operate</i></b>                      | Refrigerator in defrost cycle.                | • Wait about 30 minutes for defrost cycle to end. |
|  | Control in <i>0 (off)</i> position.           | • Move the control to a temperature setting.      |
|  | Refrigerator is unplugged.                    | • Push the plug completely into the outlet.       |
|  | The fuse is blown/circuit breaker is tripped. | • Replace fuse or reset the breaker.              |
| <b><i>Vibration or rattling (slight vibration is normal)</i></b> | Leveling legs need adjusting.                 | • See <i>Level the Refrigerator</i> .             |

|  |  |  |
|--|--|--|
| <p><b>Motor operates for long periods or cycles on and off frequently. (Modern refrigerators with more storage space and a larger freezer require more operating time. They start and stop often to maintain even temperatures.)</b></p> | Normal when refrigerator is first plugged in.  | <ul style="list-style-type: none"> <li>• Wait 24 hours for the refrigerator to complete down.</li> </ul>   |
|  | Often occurs when large amounts of food are placed in refrigerator.  | <ul style="list-style-type: none"> <li>• This is normal.</li> </ul>  |
|  | Door left open.  | <ul style="list-style-type: none"> <li>• Check to see if package is holding door open.</li> </ul>  |
|  | Hot weather or frequent door openings.   | <ul style="list-style-type: none"> <li>• This is normal.</li> </ul>  |
|  | Temperature control set at the coldest setting.  | <ul style="list-style-type: none"> <li>• See <i>About the controls</i>.</li> </ul>   |
| <p><b>Refrigerator or freezer compartment too warm</b></p>   | Temperature controls not set cold enough.  | <ul style="list-style-type: none"> <li>• See <i>About the controls</i>.</li> </ul>   |
|  | Warm weather or frequent door openings.  | <ul style="list-style-type: none"> <li>• Set the temperature control one step colder. See <i>About the controls</i>.</li> </ul>  |
|  | Door left open.  | <ul style="list-style-type: none"> <li>• Check to see if package is holding door open.</li> </ul>  |
| <p><b>Frost or ice crystals on frozen food (frost within package is normal)</b></p>  | Door left open.  | <ul style="list-style-type: none"> <li>• Check to see if package is holding door open.</li> </ul>  |
|  | Door openings too frequent or too long.  | <ul style="list-style-type: none"> <li>• This is normal.</li> </ul>  |
| <p><b>Frequent "buzzing" sound</b></p>   | Icemaker power switch is in the <b>I (on)</b> position, but the water supply to the refrigerator has not been connected. | <ul style="list-style-type: none"> <li>• Set the power switch to the <b>0 (off)</b> position. If it is in the <b>I (on)</b> position will damage the water filter.</li> </ul>  |
| <p><b>Small or hollow cubes</b></p>  | Water filter clogged.  | <ul style="list-style-type: none"> <li>• Replace filter cartridge with new cartridge or clean filter plug.</li> </ul>  |
| <p><b>Automatic icemaker (on some models) does not work</b></p>  | Icemaker power switch is not on.   | <ul style="list-style-type: none"> <li>• Set the power switch to the <b>I (on)</b> position. The icemaker power light will turn green when the freezer light switch is pressed in or when the door is closed.</li> </ul> |
|  | Water supply turned off or not connected.  | <ul style="list-style-type: none"> <li>• See <i>Installing the water line</i>.</li> </ul>  |

|  |   |   |
|--|---|---|
|  | Freezer compartment too warm.   | <ul style="list-style-type: none"> <li>• Wait 24 hours for the refrigerator to complete down.</li> </ul>  |
|  | Piled up cubes in the storage bin cause the icemaker to shut off.         | <ul style="list-style-type: none"> <li>• Level cubes by hand.</li> </ul>  |
|  | Ice cubes stuck in icemaker.<br>(Green power light on icemaker blinking.) | <ul style="list-style-type: none"> <li>• Turn off the icemaker, remove cubes and turn icemaker back on.</li> </ul>  |
|  | Icemaker light is not lit.  | <ul style="list-style-type: none"> <li>• This is normal when the freezer door is open. Icemaker power light will turn green when the light switch is pressed in or when the freezer is closed.</li> </ul> |



|   |  |
|---|--|
| <b><i>Ice cubes have odor/<br/>taste</i></b>  | Food transmitting odor/taste to ice cubes.   |
|   | Interior of refrigerator needs cleaning.     |
| <b><i>Slow ice cube<br/>freezing</i></b>  | Door left open.                              |
|   | Freezer control not set cold enough.         |
| <b><i>Refrigerator has odor</i></b>   | Foods transmitting odor to refrigerator.     |
|   | Interior needs cleaning.                     |
| <b><i>Moisture forms on<br/>outside of<br/>refrigerator</i></b>   | Not unusual during periods of high humidity. |
| <b><i>Moisture collects<br/>inside (in humid<br/>weather, air carries<br/>moisture into<br/>refrigerator when<br/>doors are opened)</i></b> | Too frequent or too long door openings.      |
| <b><i>Refrigerator or<br/>freezer compartment<br/>light does not work</i></b>   | No power at outlet.                          |
|   | Light bulb burned out or loose.              |
| <b><i>Door/drawer does<br/>not close by itself</i></b>  | Leveling legs need adjusting.                |

|   |   |
|---|---|
| <p><b><i>Freezer door/drawer pops open when refrigerator door is closed</i></b></p> | <p>This is normal if, after popping open, the freezer door/drawer closed on its own.</p>  |
| <p><b><i>Hot air from bottom of refrigerator</i></b></p>                            | <p>Normal air flow cooling motor. In the refrigeration process, it is normal that heat b coverings will discolor at these normal and safe temperatures.</p> |
| <p><b><i>Food freezing in the refrigerator</i></b></p>                              | <p>Food too close to the air vent at the back of the refrigerator.</p>  |
|   | <p>Refrigerator control is set too cold.</p>  |
| <p><b><i>Orange glow in the freezer</i></b></p>                                     | <p>Defrost heater is on.</p>  |



|  |  |
|--|--|
| <p><b>No ice cube production</b><br/><i>(on some models)</i></p>           | Supply line or shutoff valve   |
|  | Water filter clogged.  |
|  | Filter cartridge not it locks into place. The blade on the end of the cartridge should be positioned vertically. |
| <p><b>Handle is loose / handle has a gap</b></p>                           | Handle needs adjusting.  |
| <p><b>Refrigerator beeping</b></p>   | This is the door alarm.  |
| <p><b>Control setting is not lit</b></p>                                   | On some models, the light bulbs compartment light up the temperature control settings.                           |
| <p><b>Refrigerator doors are not even (on Double Door models only)</b></p> | Doors need realigning.   |



|  |                       |
|--|-----------------------|
|  |                       |
| <b><i>Baskets stick or jam when opening or closing</i></b> | Baskets are too full. |

**Warning**

This content is compiled from multiple sources and is provided for reference purposes only. It may not be complete or fully applicable to all situations. If you are unable to resolve your issue, please contact the product manufacturer or an authorized service provider for official support.

