

## Operating Instructions

### About the dryer control panel.

**⚠ WARNING**

**Explosion Hazard**

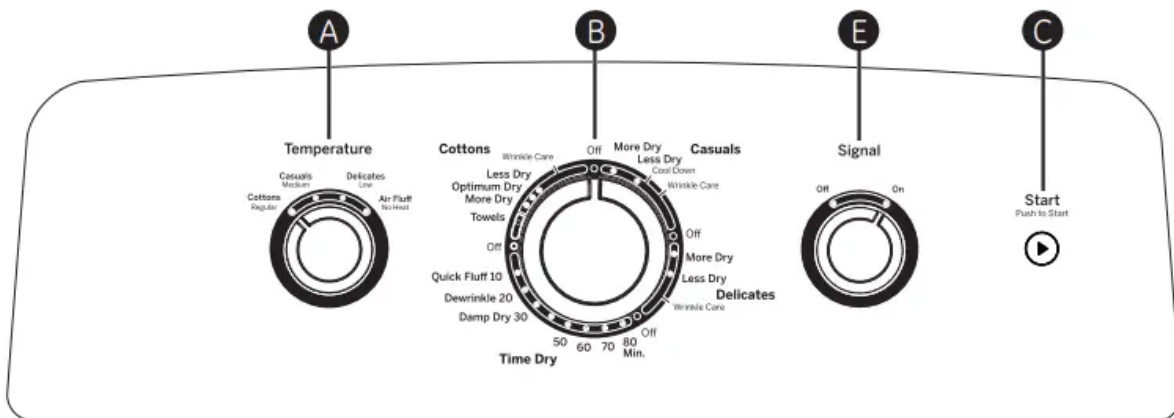
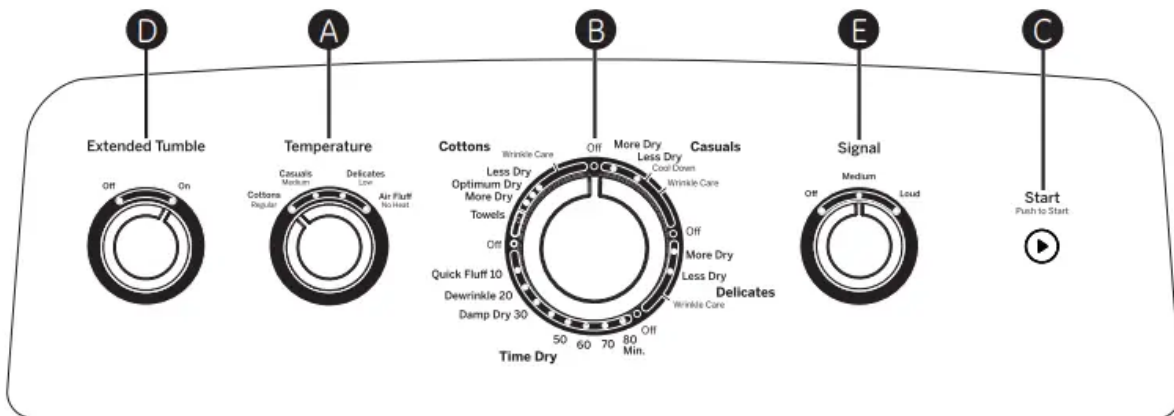
Keep flammable materials and vapors, such as gasoline, away from dryer.  
**DO NOT** dry anything that has ever had anything flammable on it (even after washing).  
 Failure to do so can result in death, explosion, or fire.

**⚠ WARNING**

**Fire Hazard**

No washer can completely remove oil.  
 Do not dry anything that has ever had any type of oil on it (including cooking oils).  
 Items containing foam, rubber, or plastic must be dried on a clothesline or by using an air dry cycle.  
 Failure to follow these instructions can result in death or fire.

Throughout this manual, features and appearance may vary from your model.



**IMPORTANT:** Clean the lint filter each time you use the dryer.

#### A Temperature (Not all features are on all models)

- **Cottons Regular** For regular to heavy cottons.
- **Casuals Medium** For synthetics, blends, delicates and items labeled permanent press.



- **Delicates Low** On some models. For delicates, synthetics and items labeled tumble dry low.
- **Air Fluff No Heat** For fluffing items without heat. Use the Time Dry cycle.

### **B Drying Cycles** (Not all features are on all models)

- **Cottons** For cottons and most linens. For most loads, select Optimum Dry (on some models).
- **Casuals** For wrinkle-free, permanent press and delicate items, and knits.
- **Delicates** For delicate items, special-care fabrics and knits.
- **Time Dry** Set the Cycle Selector at the desired drying time.
- **Dewrinkle** For removing wrinkles from items that are clean and dry or that are very lightly damp.
- **Quick Fluff** For freshening or fluffing up already dry clothing, fabrics, linens and pillows. Use with Air Fluff No Heat. Provides 10 minutes of no heat tumbling.

Sensor cycles automatically determine fabric dryness. Select Less Dry if you want your clothes slightly damp at the end of the drying cycle. Select More Dry if you want them to feel drier.

Timed cycles run for a selected time.

**C Start**-Close the dryer door. Select Start. Opening the door during operation will stop the dryer.

To restart the dryer, close the door and select Start to complete the cycle.

NOTE: Drying times will vary according to the type of heat used (Electric, Natural or LP gas), size of load, types of fabrics, wetness of clothes and condition of exhaust ducts.

### **D Extended Tumble Option** (on some models)

Use this option to minimize the wrinkles in clothes. It provides approximately 15 minutes of no-heat tumbling after the clothes are dry.

This option can only be used with the Cottons and Casuals/Easy Care cycles.

If you are using the cycle Signal knob and you select the Extended Tumble option, a signal will sound at the end of the drying time and several times during the Extended Tumble cycle. This will remind you that it is time to remove the clothes.

If Extended Tumble is not on, the dryer will stop once the timer reaches the Extended Tumble mark on the cycle dial.

### **E Cycle Signal Option** (on some models)

This signal will sound just before the end of the cycle to remind you to remove the clothes. On some models, the signal sound level cannot be adjusted.

If you selected the Extended Tumble option, the signal will sound at the end of the drying time and will sound several times during the Extended Tumble cycle. This will remind you that it is time to remove the clothes.

NOTE:

- Remove garments promptly at the sound of the signal. Place clothes on hangers so wrinkles won't set in.
- Use the cycle Signal especially when drying fabrics like polyester knits and permanent press. These fabrics should be removed so wrinkles won't set in.

### **Automatic Cycle Signal** (on some models)

At the end of each cycle, there is approximately 15 minutes of no-heat tumbling after the laundry is dry. A reminder signal will sound periodically during this time to remind you to remove the laundry.

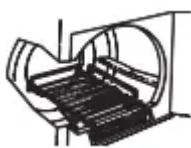
### **About the dryer features.**



**Drum Lamp** (on some models)

Before replacing the light bulb, be sure to unplug the dryer power cord or disconnect the dryer at the household distribution panel by removing the fuse or switching off the circuit breaker.

Reach above dryer opening from inside the drum. Remove the bulb and replace with the same size bulb.



**Drying Rack** (on some models)

A handy drying rack may be used for drying delicate items such as washable sweaters.

Hook the rack over the lint filter so the rack extends into the dryer drum.

NOTE:

- The drying rack must be used with the Time Dry cycle.
- Do not use this drying rack when there are other clothes in the dryer.

If your model did not come with a drying rack, order one on-line today, 24 hours a day or by phone at 800.626.2002 during normal business hours.

Part Number: WE01X25160

Accessory: Drying Rack

### **Alloy Steel Drum** (on some models)

The alloy steel used to make the dryer drum provides the highest reliability available in a GE dryer.

If the dryer drum should be scratched or dented during normal use, the drum will not rust or corrode. These surface blemishes will not affect the function or durability of the drum.

### **Loading and using the dryer.**

Always follow the fabric manufacturer's care label when laundering.



#### **Sorting and Loading Hints**

As a general rule, if clothes are sorted properly for the washer, they are sorted properly for the dryer.

Do not add fabric softener sheets once the load has become warm. They may cause fabric softener stains. Bounce® Fabric Conditioner Dryer Sheets have been approved for use in all GE Dryers when used in accordance with the manufacturer's instructions.

Do not overload. This wastes energy and causes wrinkling.

Do not dry the following items: fiberglass items, woolens, rubber-coated items, plastics, items with plastic trim and foam-filled items.



#### **Care and Cleaning of the Dryer**

The Exterior: Wipe or dust any spills or washing compounds with a damp cloth. Dryer control panel and finishes may be damaged by some laundry pretreatment soil and stain remover products. Apply these products away from the dryer. The fabric may then be washed and dried normally. Damage to your dryer caused by these products is not covered by your warranty.

The Lint Filter: Clean the lint filter before each use. Moisten your fingers and reach into the filter opening. Run your fingers across the filter. Have a qualified technician vacuum the lint from the dryer once a year.



**Stainless Steel:** To clean stainless steel surfaces, use a damp cloth with a mild, non-abrasive cleaner suitable for stainless steel surfaces. Remove the cleaner residue, and then dry with a clean cloth.

**Dryer Interior and Duct:** The interior of the appliance and exhaust duct should be cleaned once a year by qualified service personnel.

**The Exhaust Duct:** Inspect and clean the exhaust ducting at least once a year to prevent clogging. A partially clogged exhaust can lengthen the drying time.

Follow these steps:

1. Turn off electrical supply by disconnecting the plug from the wall socket.
2. Disconnect the duct from the dryer.
3. Vacuum the duct with the hose attachment and reconnect the duct.

**The Exhaust Hood:** Check from the outside that the flaps of the hood move freely when operating. Make sure that there is not wildlife (birds, insects, etc.) nesting inside the duct or hood.

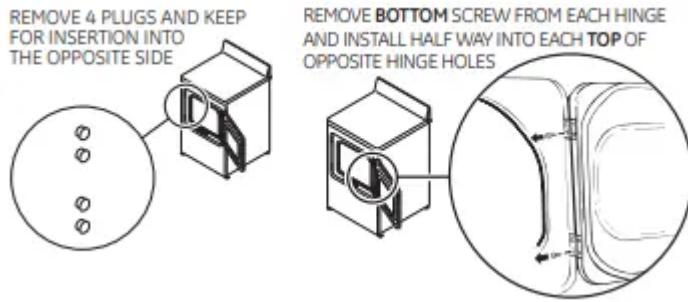
## **About reversing the door.**

### **Reversing the Door**

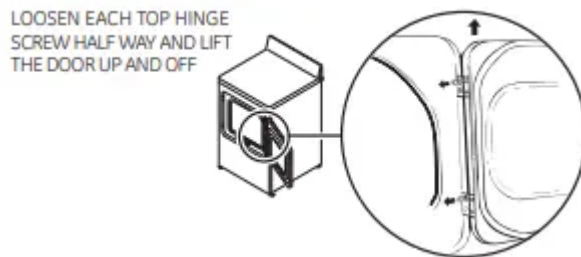
Tools needed:

- Standard #2 Phillips screwdriver
- Tape-tipped putty knife

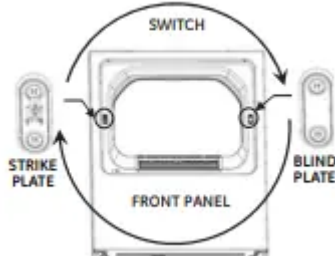
1 Open the door and remove the filler plugs opposite the hinges. With the door completely open, remove the bottom screw from each hinge on the dryer face. Insert these screws about half way into the TOP holes, for each hinge, on the opposite side (where you removed the filler plugs). Apply firm pressure to get the screw started in new holes.



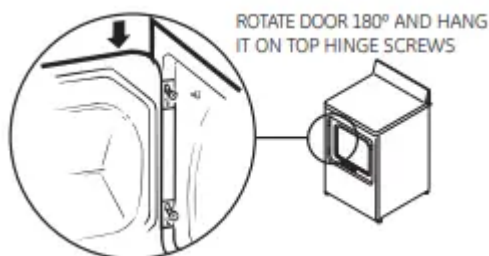
2 Loosen top screw from each hinge on the dryer face half way. With one hand holding the top of the door and the other hand holding the bottom, remove the door from the dryer by lifting it UP and OUT.



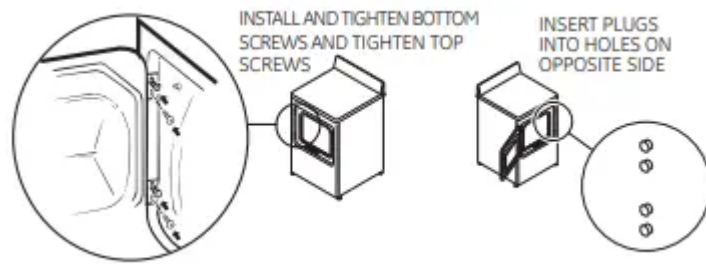
3 Remove the blind plate from the hinge side of the dryer by removing its two screws. Remove the strike plate from the opposite side of the dryer by removing its two screws. Reinstall the plates, on the opposite sides, using two screws in each plate.



4 Rotate the door 180°. Insert it on the opposite side of the opening by moving the door IN and DOWN until the top hinge and the bottom hinge are resting on the top screws inserted in step 1.



5 Remove the remaining screws from the side of the opening from which the door was removed. With these screws, secure each hinge at the bottom. Tighten the two top screws of each hinge. Reinsert the plastic plugs on the side from which the door was removed.



## About venting the dryer.

### Venting the Dryer

For the best drying performance, the dryer needs to be properly vented. The dryer will use more energy and run longer if it is not vented to the below specifications. Carefully follow the details on Exhausting in the Installation Instructions.

- Use only rigid metal 4" diameter ductwork inside the dryer cabinet. Use only rigid metal or UL listed flexible metal 4" diameter ductwork for exhausting to the outside.
- Do not use plastic or other combustible ductwork.
- Use the shortest length possible.
- Do not crush or collapse.
- Avoid resting the duct on sharp objects.
- Venting must conform to local building codes.

#### WARNING - Fire Hazard

This dryer **MUST** be exhausted to the outdoors.

Use only 4" rigid metal ducting for the home exhaust duct.

Use only 4" rigid metal or UL-listed dryer transition duct to connect the dryer to the home exhaust.

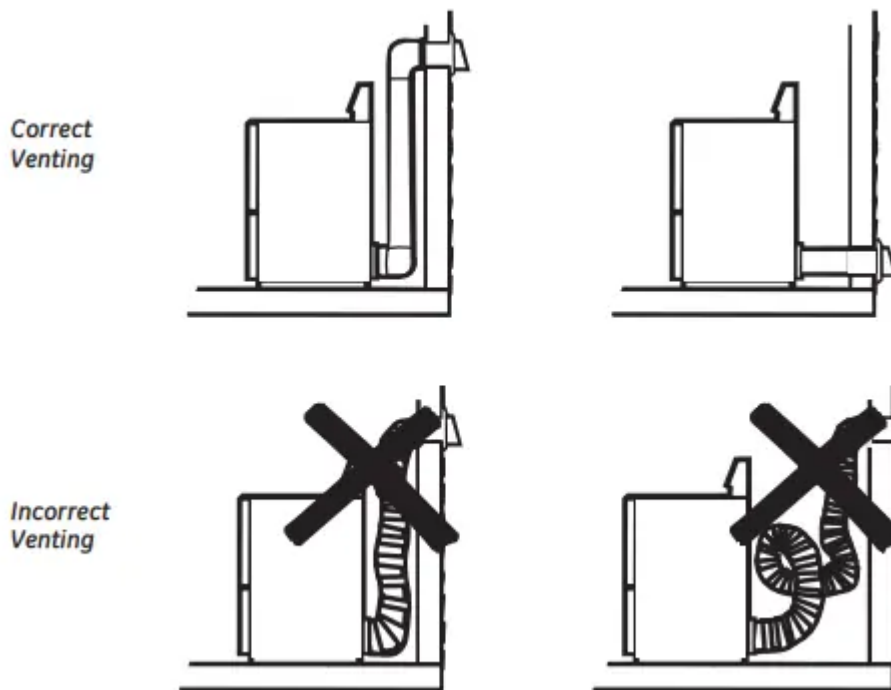
**DO NOT** use a plastic vent.

**DO NOT** exhaust into a chimney, kitchen exhaust, gas vent, wall, ceiling, attic, crawl space, or concealed space of a building.

**DO NOT** install a screen in or over the exhaust duct.

**DO NOT** install a booster fan in the exhaust duct.

**DO NOT** use duct longer than specified in the exhaust length table. Failure to follow these instructions can result in death or fire.



## Troubleshooting Tips

Before you call for service...

### Dryer doesn't start

- Dryer is unplugged
  - Make sure the dryer plug is pushed completely into the outlet.
- Fuse is blown/circuit breaker
  - Check the house fuse/circuit breaker box and replace is tripped fuse or reset breaker. NOTE: Most electric dryers use fuses/breakers.

### Dryer doesn't heat

- Fuse is blown/circuit breaker is
  - Check the house fuse/circuit breaker box and replace tripped; the dryer may tumble both fuses or reset both breakers. Your dryer may tumble but not heat if only one fuse is blown or one breaker tripped.
- Gas service is off
  - Make sure gas shutoff at dryer and main shutoff are fully open.

### Dryer shakes or makes noise

- Some shaking/noise is normal.
  - Move dryer to an even floor space, or adjust leveling legs Dryer may be sitting unevenly as necessary until even.

### **Greasy spots on clothes**

- Improper use of fabric softener
  - Follow directions on fabric softener package.
- Drying dirty items with clean ones
  - Use your dryer to dry only clean items. Dirty items can stain clean items and the dryer.
- Clothes were not completely clean
  - Sometimes stains which cannot be seen when the clothes are wet appear after drying. Use proper washing procedures before drying.

### **Lint on clothes**

- Lint filter is full
  - Clean lint screen before each load.
- Improper sorting
  - Sort lint producers (like chenille) from lint collectors like corduroy).
- Static electricity can attract lint
  - See suggestions in this section under Static occurs.
- Overloading
  - Separate large loads into smaller ones.
- Paper, tissue, etc. left in pockets
  - Empty all pockets before laundering clothes.

### **Static occurs**

- No fabric softener was used
  - Try a fabric softener.
  - Bounce® Fabric Conditioner Dryer Sheets have been approved for use in all GE Dryers when used in accordance with the manufacturer's instructions.
- Overdrying
  - Try a fabric softener.
  - Adjust setting to Less Dry or Damp Dry.
- Synthetics, permanent press and blends can cause static
  - Try a fabric softener.

## **Inconsistent drying times**

- Type of heat
  - Automatic drying times will vary according to the type of heat used (electric, natural or LP gas), size of load, types of fabrics, wetness of clothes and condition of exhaust ducts.

## **Clothes take too long to dry**

- Improper sorting
  - Separate heavy items from lightweight items (generally, a well-sorted washer load is a well-sorted dryer load).
- Large loads of heavy fabrics (like beach towels)
  - Large, heavy fabrics contain more moisture and take longer to dry. Separate large, heavy fabrics into smaller loads to speed drying time.
- Controls improperly set
  - Match control settings to the load you are drying.
- Lint filter is full
  - Clean lint filter before every load.
- Improper or obstructed ducting
  - Check installation instructions for proper ducting/venting.
  - Make sure ducting is clean, free of kinks and unobstructed.
  - Check to see if outside wall damper operates easily.
  - Check the Installation Instructions to make sure the dryer venting is correct.
- Blown fuses or tripped circuit breaker
  - Replace fuses or reset circuit breakers. Since most dryers use 2 fuses/ breakers, make sure both are operating.
- Overloading/combining loads
  - Do not put more than one washer load in the dryer at a time.
- Underloading
  - If you are drying only one or two items, add a few items to ensure proper tumbling.

## **Clothes are wrinkled**

- Overdrying
  - Select a shorter drying time.

- Remove items while they still hold a slight amount of moisture. Select a Less Dry or Damp Dry setting.
- Letting items sit in dryer after cycle ends
  - Remove items when cycle ends and fold or hang immediately.
- Overloading
  - Separate large loads into smaller ones.

### **Clothes shrink**

- Some fabrics will naturally shrink when washed. Others can be safely washed, but will shrink in the dryer
  - To avoid shrinkage, follow garment care labels exactly.
  - Some items may be pressed back into shape after drying.
  - If you are concerned about shrinkage in a particular item, do not machine wash or tumble dry it.

## **GE Dryer Warranty.**

All warranty service provided by our Factory Service Centers, or an authorized Customer Care® technician. To schedule service, on-line, 24 hours a day, visit us at [GEAppliances.com](http://GEAppliances.com), or call 800.

GE.CARES (800.432.2737). Please have serial number and model number available when calling for service.

### **For The Period Of:**

One Year From the date of the original purchase

### **GE Will Replace:**

Any part of the dryer which fails due to a defect in materials or workmanship. During this limited one-year warranty, GE will also provide, free of charge, all labor and related service costs to replace the defective part.

### **What GE Will Not Cover:**

- Service trips to your home to teach you how to use the product.
- Improper installation, delivery or maintenance.
- Failure of the product if it is abused, misused, or used for other than the intended purpose or used commercially.
- Replacement of the light bulb.
- Products which are not defective or broken, or which are working as described in the Owner's Manual.

- Replacement of house fuses or resetting of circuit breakers.
- Damage to the product caused by accident, fire, floods or acts of God.
- Incidental or consequential damage caused by possible defects with this appliance.
- Defects or damage due to operation in freezing temperatures.
- Damage caused after delivery.
- Product not accessible to provide required service.

EXCLUSION OF IMPLIED WARRANTIES-Your sole and exclusive remedy is product repair as provided in this Limited Warranty. Any implied warranties, including the implied warranties of merchantability or fitness for a particular purpose, are limited to one year or the shortest period

This warranty is extended to the original purchaser and any succeeding owner for products purchased for home use within the USA. If the product is located in an area where service by a GE Authorized Servicer is not available, you may be responsible for a trip charge or you may be required to bring the product to an Authorized GE Service location. In Alaska, the warranty excludes the cost of shipping or service calls to your home.

Some states do not allow the exclusion or limitation of incidental or consequential damages. This warranty gives you specific legal rights, and you may also have other rights which vary from state to state. To know what your legal rights are, consult your local or state consumer affairs office or your state's Attorney General.

**Warrantor: General Electric Company. Louisville, KY 40225**

#### **Warning**

This content is compiled from multiple sources and is provided for reference purposes only. It may not be complete or fully applicable to all situations. If you are unable to resolve your issue, please contact the product manufacturer or an authorized service provider for official support.