

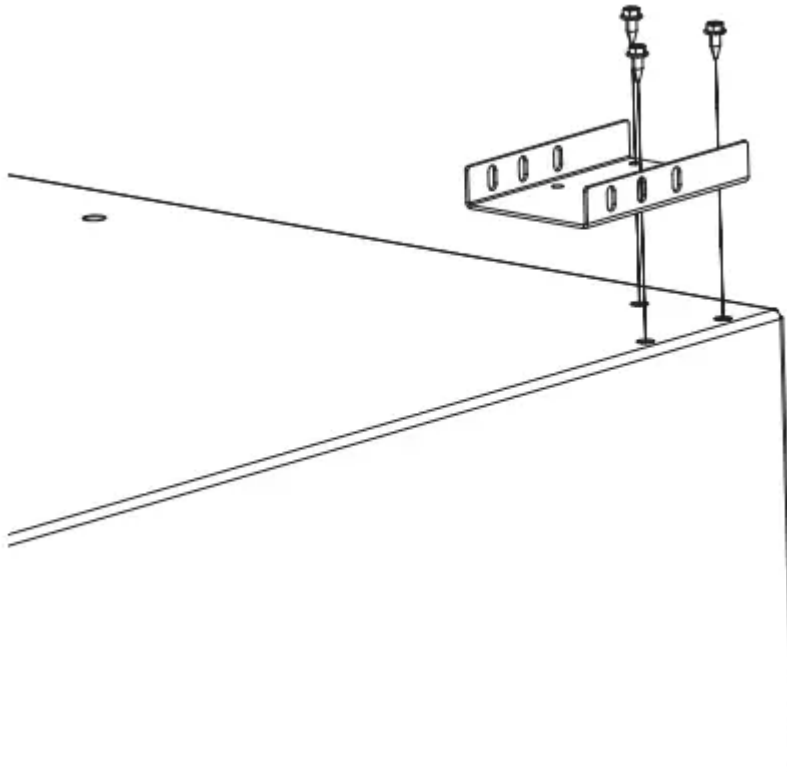
User Manual Pedestal

PREPARE THE PEDESTAL/RISER

INSTALL REAR PEDESTAL/RISER BRACKETS

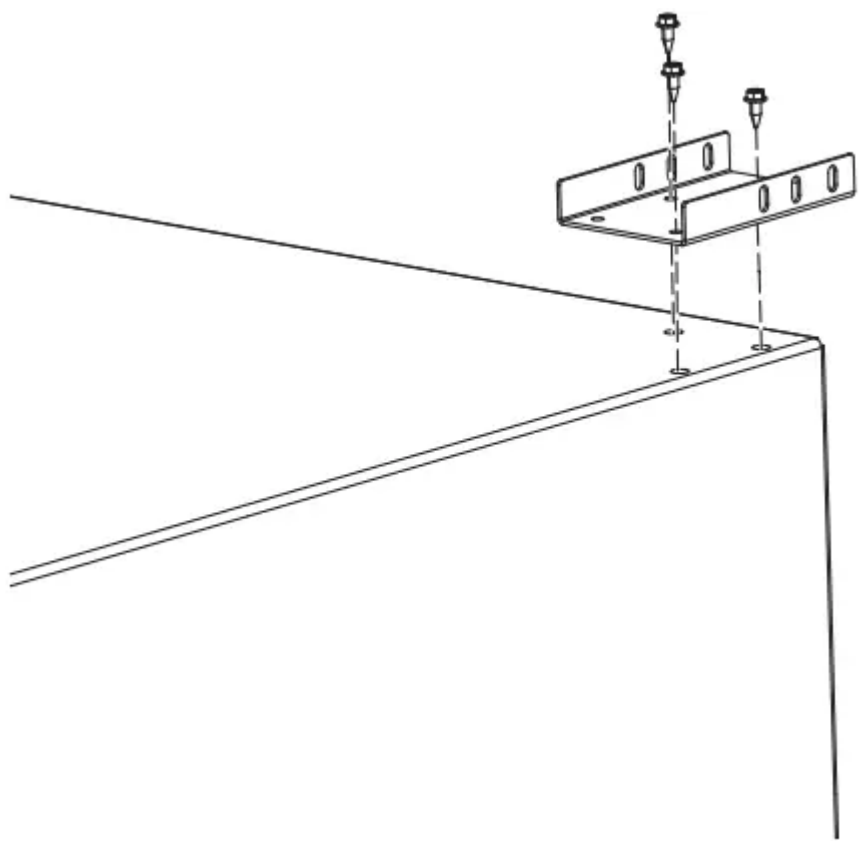
FOR DRYER AND 32" WASHER

Align rear pedestal/riser bracket as shown on both sides



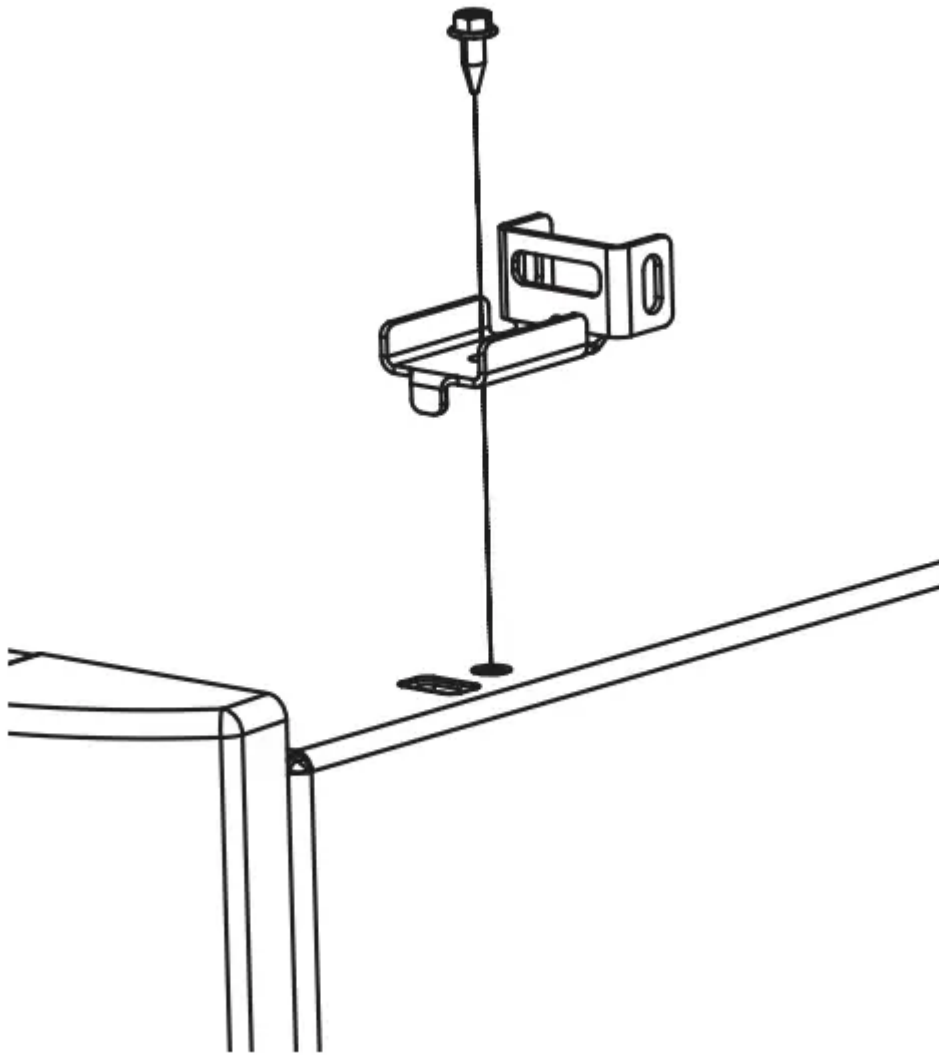
FOR 34" WASHER

Install pedestal/riser bracket rotated 180° from dryer configuration.



INSTALL FRONT PEDESTAL BRACKETS

Install front pedestal/riser brackets on both sides.

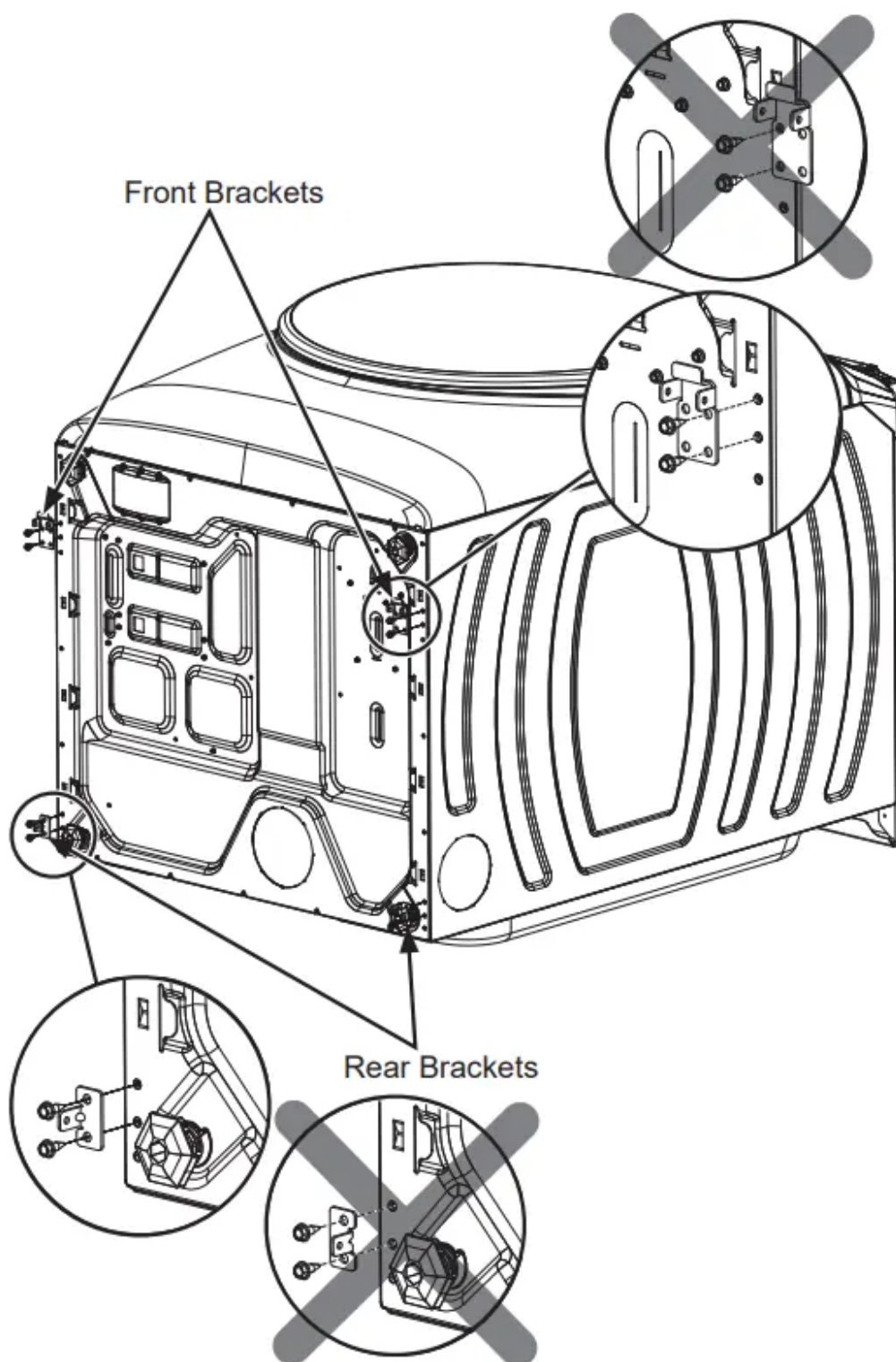


PREPARE THE UNIT

INSTALL WASHER/DRYER BRACKETS

Front Brackets

- Lay the unit on its back on a protective surface.
- Ensure leveling legs are threaded in to minimum height position.
- Install front brackets on the bottom of the washer or dryer as shown. Use the 2 holes closest to the front and the 2 outermost holes on the bracket. The bracket should not go beyond the edge of the appliance.



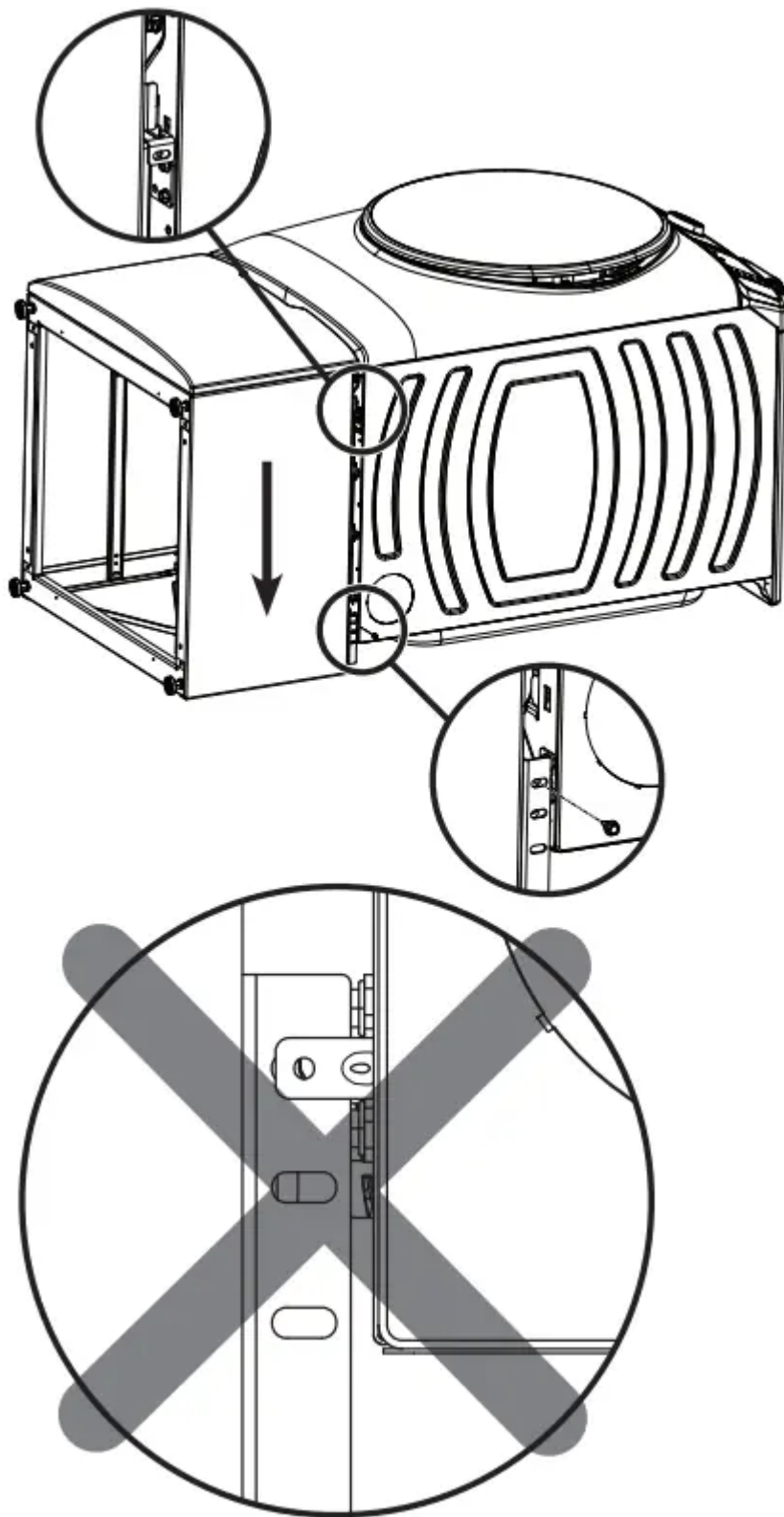
Rear Brackets

- Install rear brackets on the bottom of the washer or dryer as shown above. Use the top 2 holes on the bottom of the appliance with the tab on the bracket facing the outside.

ATTACH PEDESTAL/RISER TO UNIT

JOIN REAR BRACKETS

- Lift pedestal/riser and hook front brackets of pedestal/riser to front brackets of washer or dryer.
- Align rear brackets on washer or dryer with rear brackets on pedestal/riser and fasten with screws. Make sure the bracket from the appliance is to the INSIDE of the pedestal/riser bracket and not the outside.

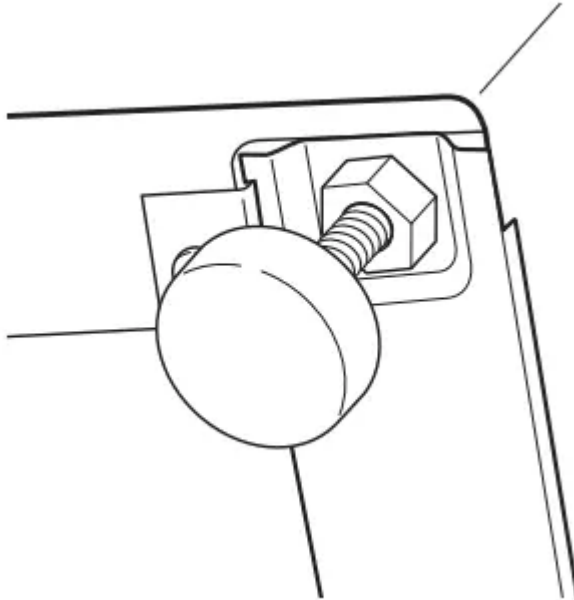


LEVEL THE WASHER OR DRYER

- Locate the 4 legs from the parts package and install to minimum height.
- Stand the washer or dryer upright.
- Make sure that the washer or dryer is level by placing a spirit level on top. Check side to side and front to back.

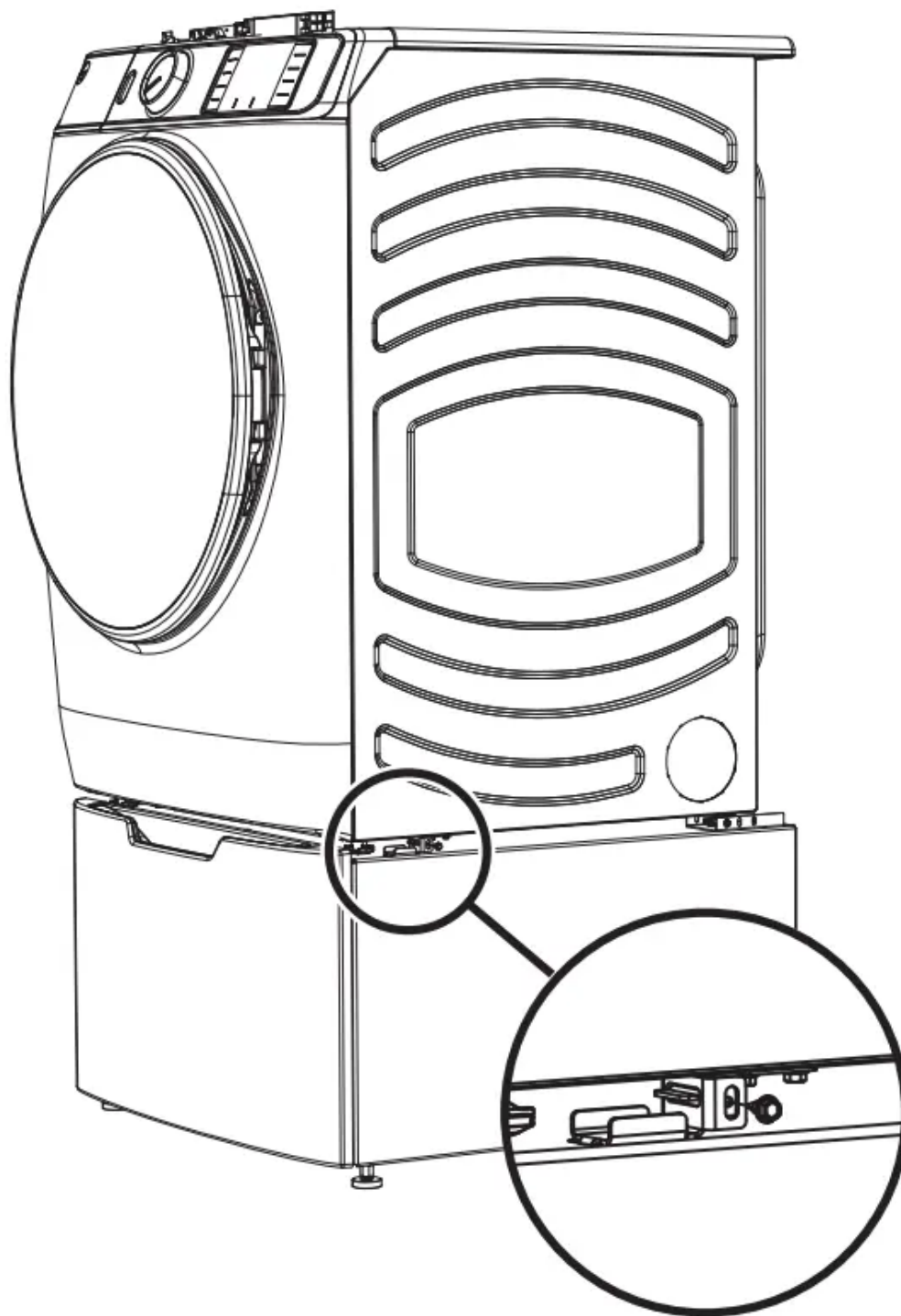
- Use a 5/8" open ended wrench to adjust the legs in and out. Tighten the lock nut against the bottom of the pedestal/ riser.

NOTE: To minimize vibration, the locking nuts must be tight.



JOIN FRONT BRACKETS

- Fasten screw between front brackets for pedestal/riser and washer or dryer on both sides of unit.



WASHING MACHINE ONLY: REMOVE SHIPPING SCREWS

Remove the 4 shipping bolts on the back side of the unit.

FINALIZE THE INSTALLATION

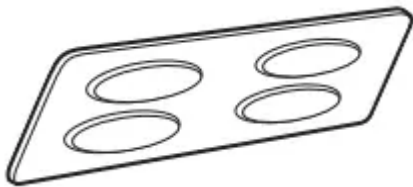
Refer to the washer or dryer installation instructions to complete the installation.

KIT CONTAINS

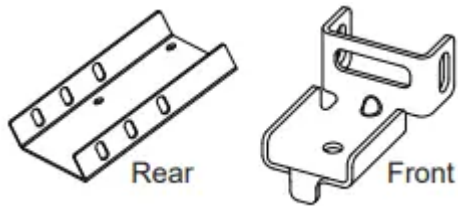
- Pedestal or Riser



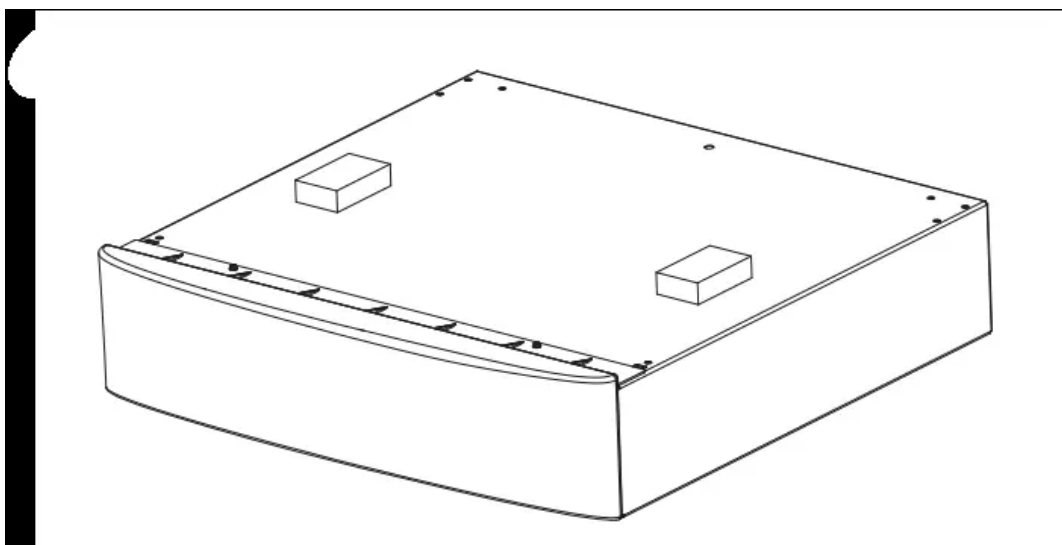
- Drawer Divider (Pedestal Kit Only)



- Pedestal or Riser Brackets - 2 each



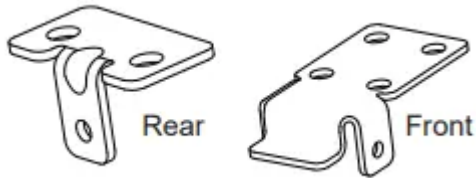
Or



- Installation Screws (#8-18 x 7/16) - 22



- Washer/Dryer Brackets - 2 each



TOOLS YOU WILL NEED

- Safety Glasses



- Gloves



- Level



- 1/4" Socket & Nut Driver



- 5/8" Open end wrench



IMPORTANT: Shipping bolts should remain in place during installation.

Warning

This content is compiled from multiple sources and is provided for reference purposes only. It may not be complete or fully applicable to all situations. If you are unable to resolve your issue, please contact the product manufacturer or an authorized service provider for official support.