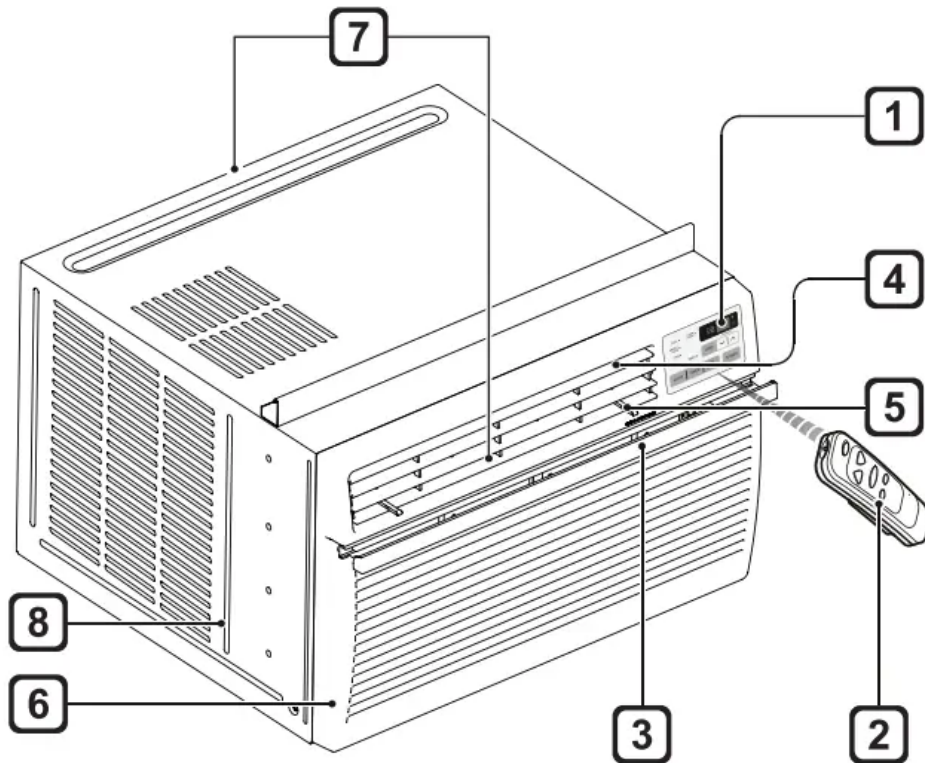


## PRODUCT OVERVIEW

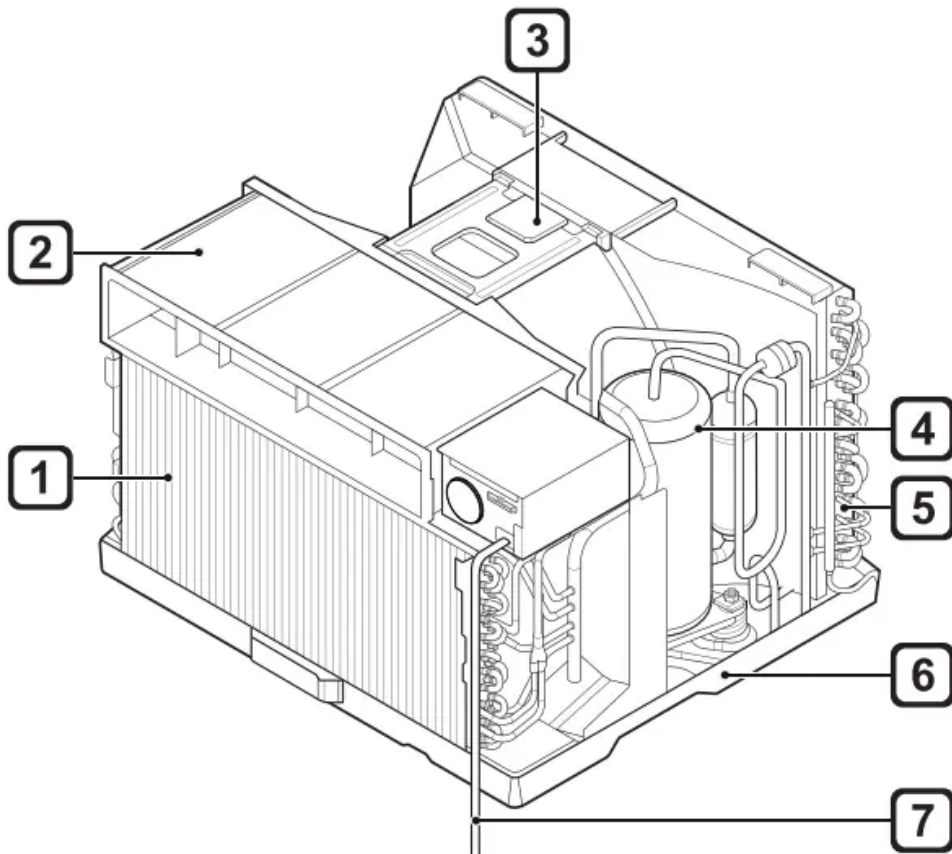
### Exterior Parts



1. Control Panel
2. Remote Controller
3. Air Filter
4. Vertical Air Deflector (Horizontal Louver)
5. Horizontal Air Deflector (Vertical Louver)
6. Front Grille
7. Air Outlet
8. Cabinet



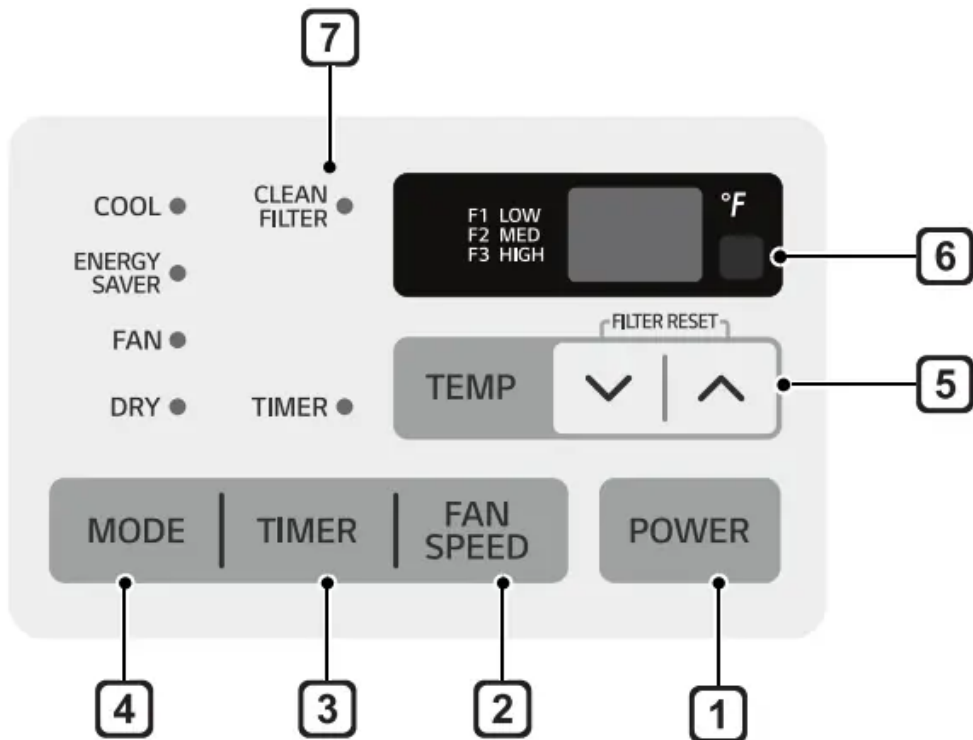
## Interior Parts



1. Evaporator
2. Air Guide
3. Brace
4. Compressor
5. Condenser
6. Base Pan
7. Power Cord

# OPERATION

## Control Panel and Remote Control



### 1. Power

- Press to turn the air conditioner ON or OFF.

### 2. Fan Speed

- Press to set the fan speed to Low (F1), Medium (F2), or High (F3).

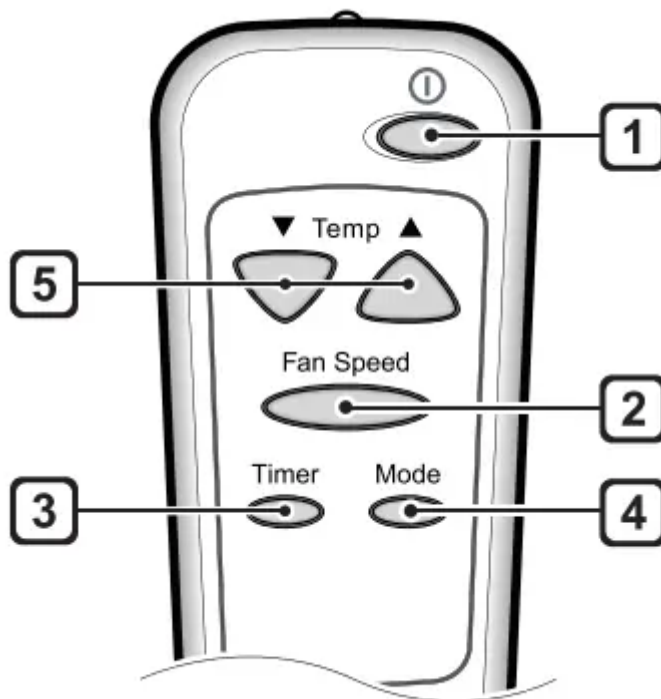
### 3. Delay ON/OFF Timer

- Delay ON - When the air conditioner is off, set it to automatically turn on from 1 to 24 hours later, at its previous mode and fan settings.
- Delay OFF - When the air conditioner is on, set it to automatically turn off from 1 to 24 hours later.
- **NOTE:** Each press of the Timer button advances the timer by 1 hour. After the last press the display returns to the temperature setting.

### 4. Operation Mode

- Press the Mode button to cycle between 4 types of air conditioner operation:
  - Energy Saver / Cool / Fan / Dry.

## Remote Control



**Energy Saver** - In this mode the compressor and fan turn off when the set temperature is achieved. Approximately every 3 minutes the fan turns on to allow the unit sensor to accurately determine if more cooling is needed.

**Cool** - This mode is ideal on hot days to cool and dehumidify the room quickly. Use the Temp  $\wedge$  |  $\vee$  buttons to set the desired room temperature and use the Fan Speed button to set the desired fan circulation speed.

**Fan** - In this mode the fan circulates air but the compressor does not run. Use the Fan Speed button to set fan speed to High, Medium or Low. In this mode, you cannot adjust the set temperature.



**Dry** - This mode is ideal for rainy and damp days to dehumidify the room rather than cooling it significantly. Humidity is removed from the room by the combination of compressor operation and the fan speed fixed at Low. The compressor and fan turn off once the set temperature is reached. Fan speed cannot be adjusted in Dry mode.

### 5. Temperature Control

The thermostat monitors room temperature to maintain the desired temperature. The thermostat can be set between 60 °F-86 °F (16 °C-30 °C). Press  $\wedge$  or  $\vee$  arrows to increase or decrease temperature setting.

### 6. Remote Control Sensor

## 7. Clean Filter

The Clean Filter LED lights up to notify you that the filter needs to be cleaned. After cleaning the filter, press Temp  and  together on the control panel to turn off the Clean Filter light.

### NOTE

- The filter reset must be done using the control panel, not the remote control.
- This feature is a reminder to clean the air filter for more efficient operation. The LED light turns on after 250 hours of operation.

### NOTE

- Auto Restart: If the air conditioner turns off due to a power outage, it will restart automatically once the power is restored, with the same settings as were set before the unit turned off.
- Energy Saver: The unit defaults to the Energy Saver mode each time the unit is switched on except in Fan mode or when power is restored after an electrical power outage.
- The remote control will not function properly if the AC infrared sensor is exposed to direct light or if there are obstacles between the remote controller and the air conditioner.

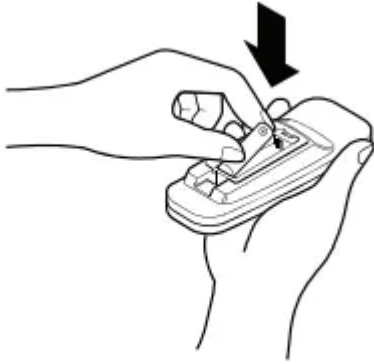
## Wireless Remote Control

### Inserting Battery

1. Push out the cover on the back of the remote control with your thumb.



2. Pay attention to polarity and insert one new AAA 1.5 V battery.



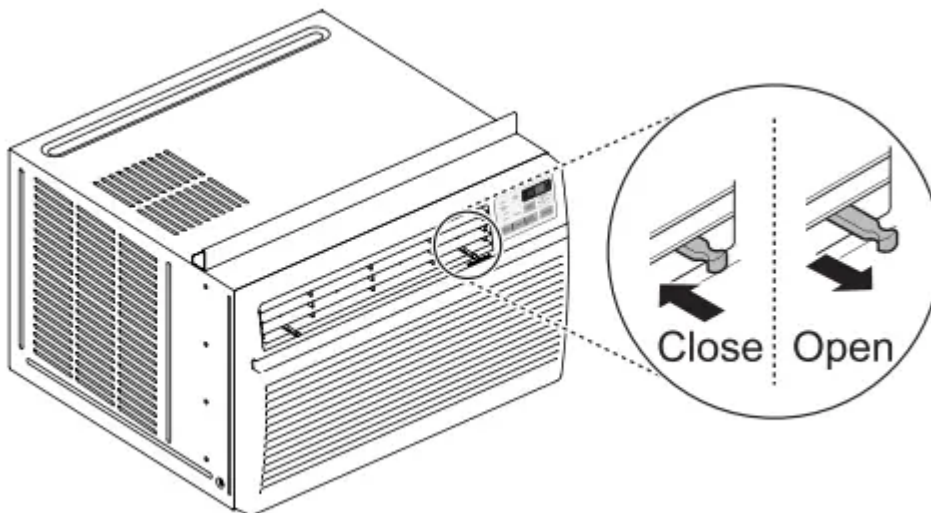
3. Reattach the cover.

#### **NOTE**

- One new battery is supplied with the air conditioner for use in the remote control.
- Do not use a rechargeable battery. Make sure that the battery is new.
- In order to prevent discharge, remove the battery from the remote control if the air conditioner is not going to be used for an extended period of time.
- Keep the remote control away from extremely hot or humid places.
- To maintain optimal operation of the remote control, the remote sensor should not be exposed to direct sunlight.

### **Ventilation**

Push the ventilation lever in to the closed position to maintain the best cooling performance. Pull the ventilation lever out to open the vent and draw fresh air into the room.

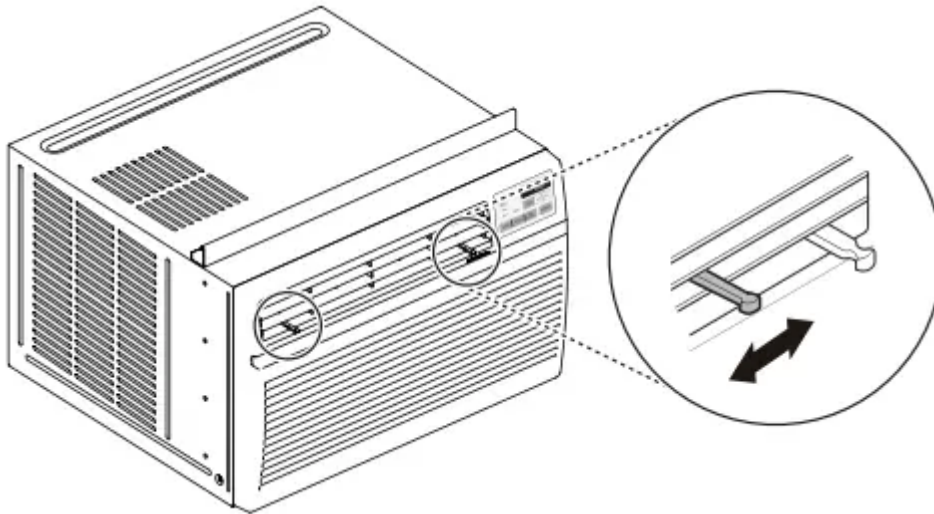


### **Air Direction**

Airflow can be adjusted by changing the direction of the air conditioner's louvers.

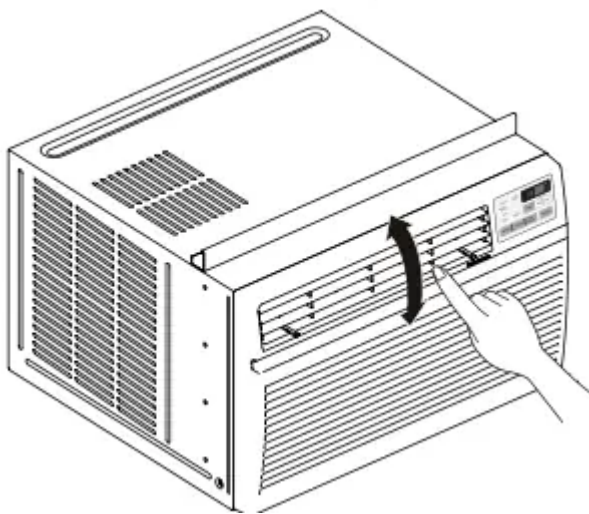
## Adjusting Horizontal Airflow Direction

The horizontal airflow is adjusted by moving the levers of the vertical louvers to the left or right.



## Adjusting Vertical Airflow Direction

Touch the horizontal louvers to adjust the airflow up or down.



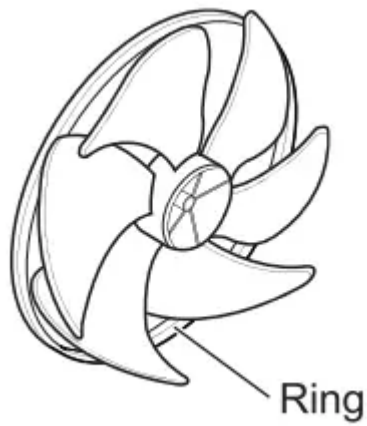
**NOTE:** When the weather is extremely hot, the unit may turn off automatically to protect the compressor.

## Additional Features

### Slinger Fan

This air conditioner is equipped with a slinger fan. (See drawing.)

The fan's outer ring picks up the condensed water from the base pan if the water level gets high enough. The water is then picked up by the fan and expelled through the condenser, making the air conditioner more efficient.



## MAINTENANCE

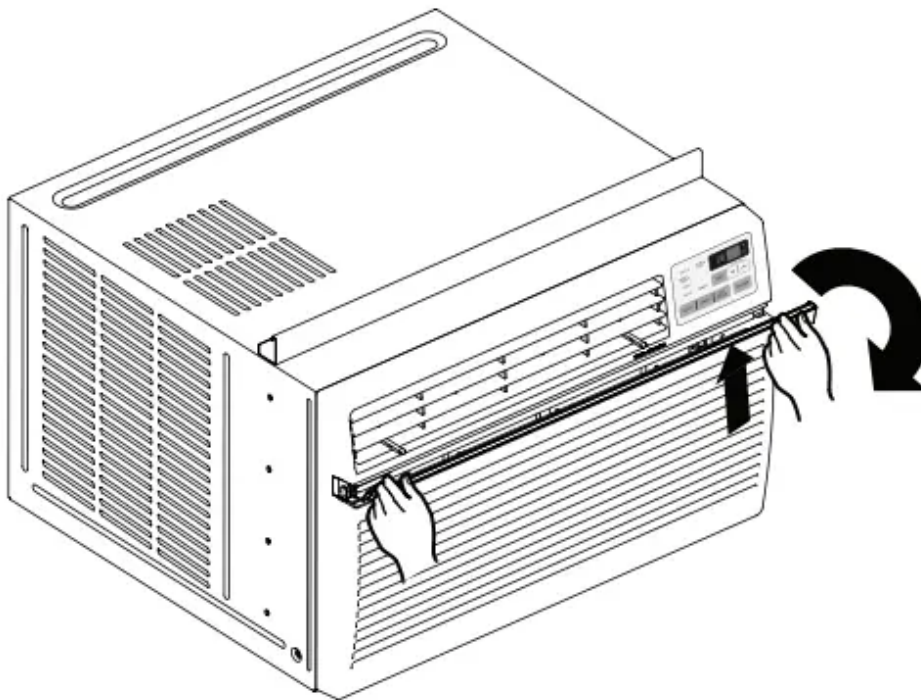
**WARNING:** Before cleaning or performing maintenance, disconnect the power supply and wait until the fan stops.

### Air Filter

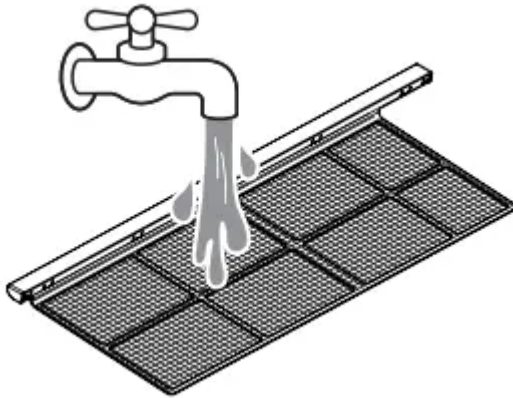
Check the air filter at least twice a month to see if cleaning is necessary. Trapped particles in the filter can build up and block the airflow, reducing cooling capacity and causing an accumulation of frost on the evaporator.

### Cleaning the Air Filter

1. Remove the air filter from the front grille by pulling the filter forward and then up slightly.



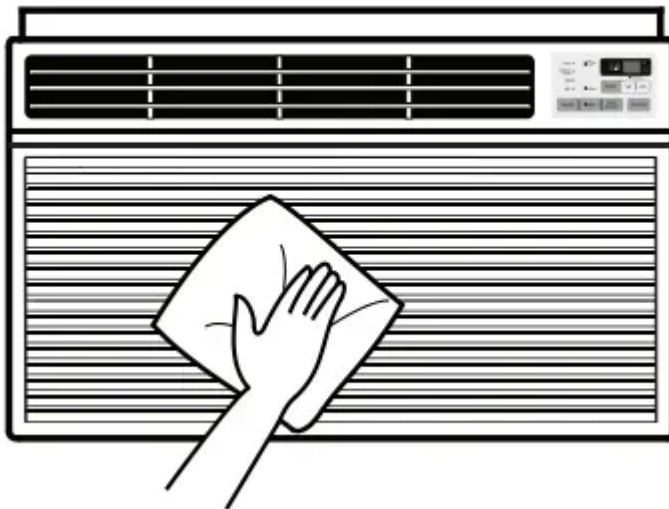
2. Wash the filter using lukewarm water below 40 °C (104 °F).



3. Gently shake the excess water from the filter and replace.

### Cleaning the Air Conditioner

- Wipe the front grille and inlet grille with a cloth dampened in a mild detergent solution.
- Wash the cabinet with mild soap or detergent and lukewarm water, then polish using liquid appliance wax.



### NOTE

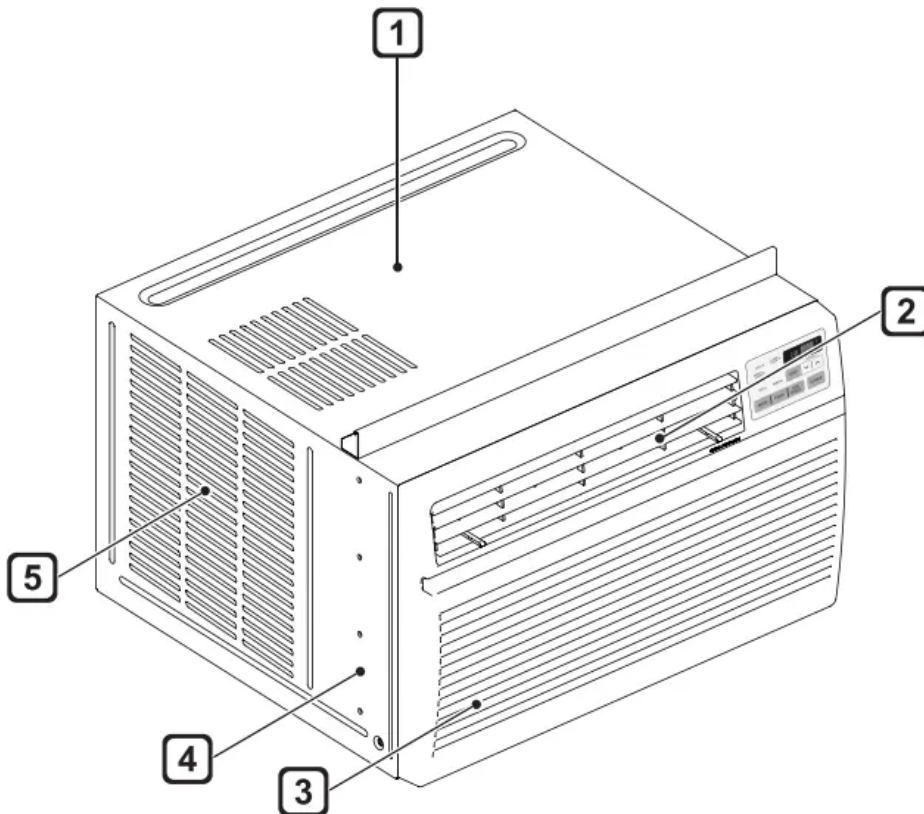
- To ensure continued peak efficiency, the condenser coils (outside of unit) should be checked periodically and cleaned if clogged with soot or dirt from outside air.
- For repair and maintenance, contact an Authorized Service Center. See the warranty page for details or call 1-800-243-0000. Have your model number and serial number available. They should be written on page 23 of this manual.

# TROUBLESHOOTING

## Before Calling for Service

The appliance is equipped with an automatic error-monitoring system to detect and diagnose problems at an early stage. If the appliance does not function properly or does not function at all, check the following before you call for service.

### Normal Sounds You May Hear



#### 1. High Pitched Chatter

- Today's high efficiency compressors may have a high pitched chatter during the cooling cycle.

#### 2. Sound of Rushing Air

- At the front of the unit, you may hear the sound of rushing air being moved by the fan. m

#### 3. Gurgle/Hiss

- Gurgling or hissing noise may be heard due to refrigerant passing through evaporator during normal operation.

#### 4. Vibration

- Unit may vibrate and make noise because of poor wall or window construction or incorrect installation.

#### 5. Pinging or Swishing

- Droplets of water hitting condenser during normal operation may cause pinging or swishing sounds.

Problem	Possible Cause	Solutions
<b>Air conditioner does not start.</b>	The air conditioner is unplugged.	Make sure the air conditioner plug is pushed completely into the outlet.
	The fuse is blown/ circuit breaker is tripped.	Check the house fuse/circuit breaker box and replace the fuse or reset the breaker.
	Power failure.	If power failure occurs, turn the mode control to off. When power is restored, wait 3 minutes to restart the air conditioner to prevent tripping of the compressor overload.
	The current interrupter device is tripped.	Press the RESET button located on the power cord plug. If the RESET button will not stay engaged, discontinue use of the air conditioner and contact a qualified service technician.
<b>Air conditioner does not cool as it should.</b>	Airflow is restricted.	Make sure there are no curtains, blinds, or furniture blocking the front of the air conditioner.
	The temp control may not be set correctly.	Set the desired temperature to a level lower than the current temperature.
	The air filter is dirty.	Clean the filter at least every 2 weeks. See the 'MAINTENANCE' section.
	The room may have been hot.	When the air conditioner is first turned on, you need to allow time for the room to cool down.
	Cold air is escaping.	Check for open furnace floor registers and cold air returns.
	Cooling coils have iced up.	See 'Air conditioner freezing up' below.
<b>Air conditioner freezing up.</b>	The cooling coils are iced over.	Ice may block the air flow and obstruct the air conditioner from properly cooling the room. Set the mode control at <b>High Fan</b> or <b>High Cool</b> .



<b>Water drips outside.</b>	Hot, humid weather.	This is normal.
<b>Water drips indoors.</b>	The air conditioner is not tilted to the outside.	For proper water disposal, make sure the air conditioner slants slightly from the cabinet front to the rear.
<b>Water collects in base pan.</b>	Moisture removed from air and drains into base pan.	This is normal for a short period in areas with little humidity; normal for a longer period in very humid areas.
<b>Air conditioner turns on and off rapidly.</b>	Dirty air filter - air restricted.	Clean air filter.
	Outside temperature extremely hot.	Refer to installation instructions or check with installer.
<b>Noise when unit is cooling.</b>	Air movement sound.	This is normal. If too loud, set to lower FAN setting.
	Window vibration - poor installation.	Refer to installation instructions or check with installer.
<b>Remote sensing deactivating prematurely.</b>	Remote control not located within range.	Place remote control within 20 feet & 120° radius of the front of the unit.
	Remote control signal obstructed.	Remove obstruction.
<b>Room too cold.</b>	Set temperature too low.	Increase set temperature.

## NOTE

- You can refer to the Energy Star program in detail at [www.energystar.gov](http://www.energystar.gov).
- If you see "CH" in the display, please call 1-800-243-0000

### Warning

This content is compiled from multiple sources and is provided for reference purposes only. It may not be complete or fully applicable to all situations. If you are unable to resolve your issue, please contact the product manufacturer or an authorized service provider for official support.

