

User Manual for Food Processor

Read the instructions, keep them safe, pass them on if you pass the appliance on. Remove all packaging before use.

IMPORTANT SAFEGUARDS

Follow basic safety precautions, including:

This appliance can be used by persons with reduced physical, sensory or mental capabilities or lack of experience and knowledge if they have been supervised/ instructed and understand the hazards involved. Children must not use or play with the appliance. Keep the appliance and cable out of reach of children.



To avoid injury, take care handling the blades, emptying the jug, and cleaning.



Don't add hot liquid (over 40°C), as it may be ejected due to sudden steaming. Misuse of the appliance may cause injury.

Unplug the appliance before assembly, disassembly, or cleaning.

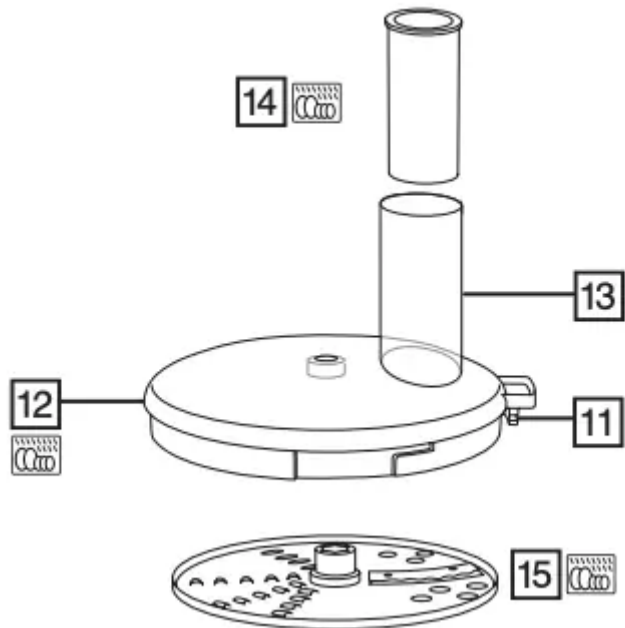
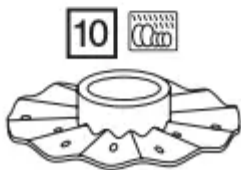
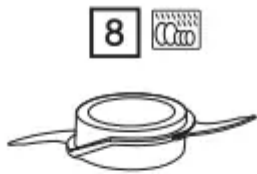
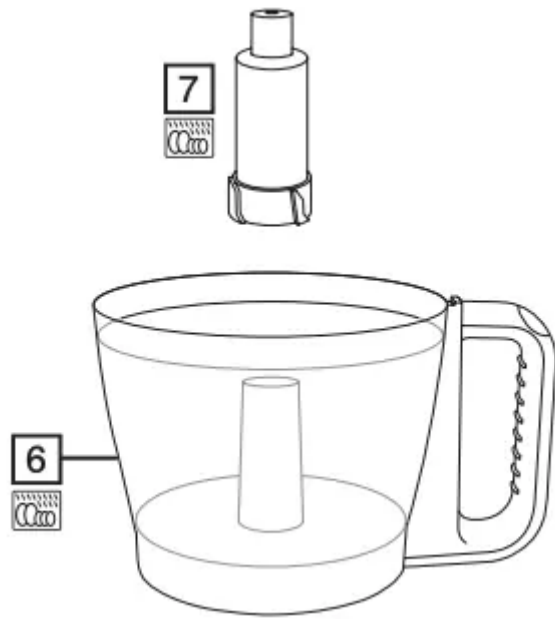
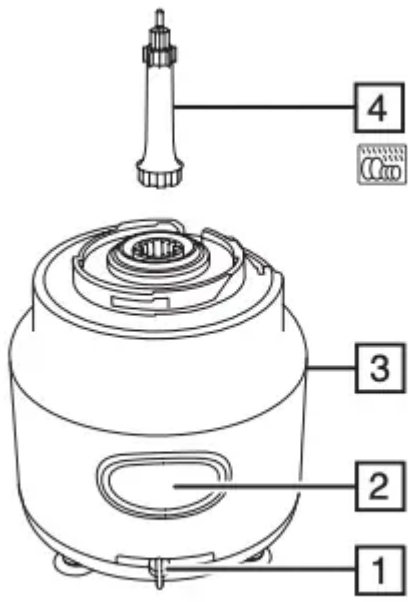
Don't leave the appliance unattended while plugged in.

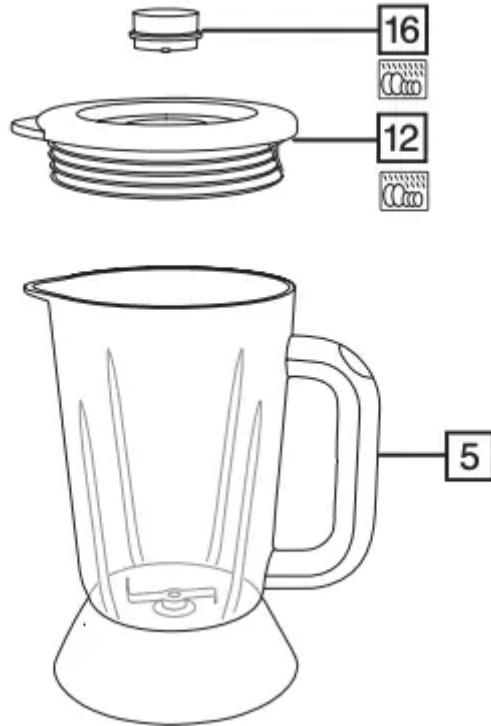
If the cable is damaged, it must be replaced by the manufacturer, its service agent, or someone similarly qualified, to avoid hazard.

- Don't put the motor unit in liquid.
- Switch off (0) before fitting the jug to the motor unit.
- Switch off (0), and wait till the blades come to a stop before removing the lid from the jug, or removing the jug from the motor unit.
- Don't put utensils into the jug while the appliance is plugged in.
- Don't use accessories or attachments other than those we supply.
- Don't use the appliance for any purpose other than those described in these instructions.
- Don't operate the appliance if it's damaged or malfunctions.
- Don't run the motor continuously for more than 1 minute, it may overheat. After 1 minute switch off for at least 2 minutes, to recover.

HOUSEHOLD USE ONLY

PARTS





1. Speed control
2. Gauge
3. Motor unit
4. Spindle
5. Blender jug
6. Bowl
7. Drive shaft
8. Chopping blade
9. Mixer attachment
10. Creamer attachment
11. Tab
12. Lid
13. Tube
14. Pusher
15. Disc
16. Cap



dishwasher safe

BEFORE USING FOR THE FIRST TIME

Turn to “CARE AND MAINTENANCE” and clean the appliance, to remove manufacturing dust, etc.


GAUGE

The gauge shows the speed of the blade in rpm (revolutions per minute).

The top row of figures show the speed with the jug or bowl empty.

The bottom row of figures show the speed with the jug or bowl full (to the max mark).

GENERAL OPERATION

1. Sit the motor unit on a dry, firm, level surface.
2. Route the cable so it doesn't overhang, and won't trip or catch.
3. Assemble the unit, and fit any accessories required according to how you want to use it.
4. Check that the speed control is set to 0.
5. Put the plug into the power socket (switch it on, if it's switchable).
6. Move the speed control to the 1, 2 or 3 position to operate your food processor.
7. Switch the appliance off by moving the speed control to the 0 position and unplug it.
8. Hold the speed control in the  position to operate your food processor in short, controlled bursts.
9. Release the control to stop.

USING THE BLENDER


The general assembly steps are shown in figure A.

A



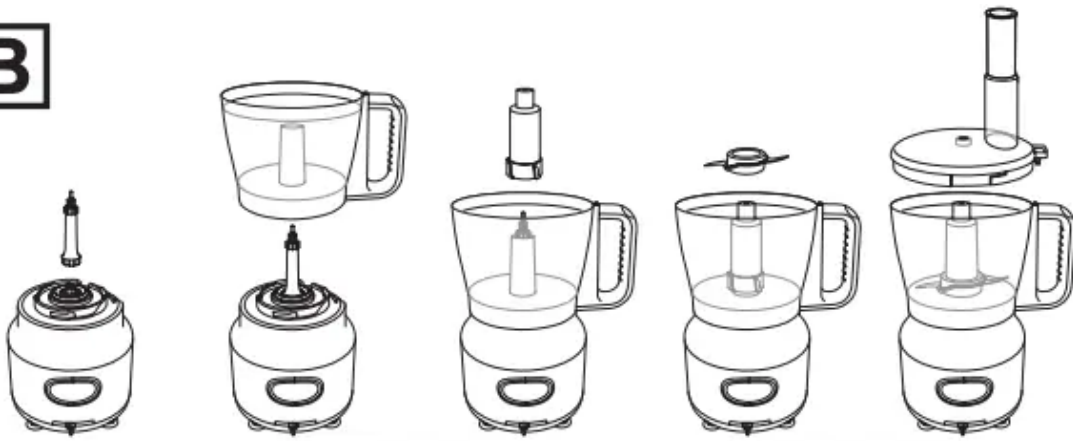
1. Lower the blender jug on to the motor unit, then turn the jug clockwise, to lock it in place.
2. Remove the lid.
3. Put the ingredients into the blender jug.
4. Replace the lid.
5. Align the pips on the cap with the slots in the hole in the lid, fit the cap, and turn it clockwise to lock it.
6. Don't run the appliance without fitting the cap.
7. To add ingredients while the blender is working, remove the cap, pour the new ingredients through the hole, then replace the cap.
8. Once finished, switch the appliance off (0) and unplug it.
9. Turn the blender jug anti-clockwise, and lift it off the motor unit.

CRUSHED ICE

1. For best results, full the jug with between 150ml and 500ml of ice cubes.
2. Put the lid on the blender, then:
3. Turn the speed control to  for a second or two, then release it.
4. Check the results, and adjust.

USING THE PROCESSOR

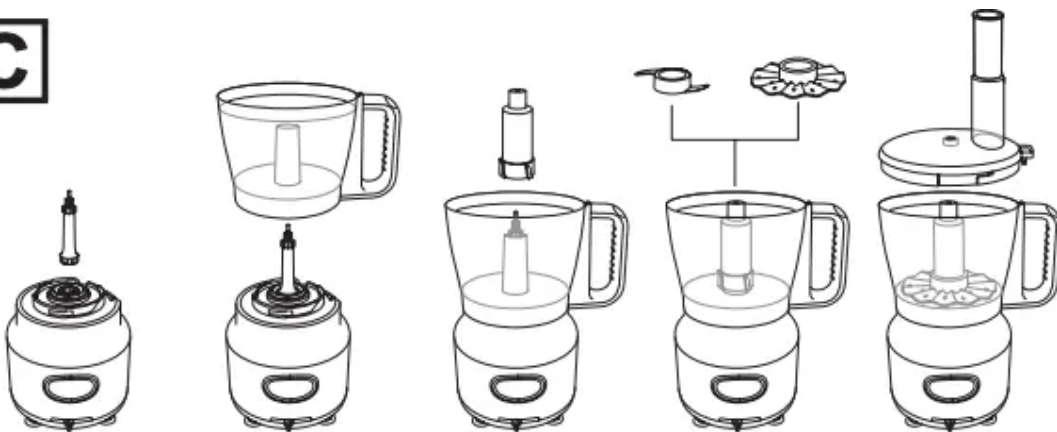
The general assembly steps are shown in figure B.

B

1. Fit the spindle to the top of the motor unit.
2. Lower the bowl on to the motor unit, then turn it clockwise to lock it in place.
3. Fit the drive shaft.
4. Fit the chopping blade.
5. Put the ingredients into the bowl.
6. Hold the lid with the tube slightly behind the bowl handle, set it on the bowl, then turn it clockwise to lock the tab into the top of the handle.
7. Once finished, switch the appliance off (0) and unplug it.
8. Turn the jug anti-clockwise, and lift it off the motor unit.

USING THE MIXER/CREAMER ATTACHMENT

The general assembly steps are shown in figure C.

C

Use the mixer to mix ingredients together.

Use the creamer to thicken cream, to beat eggs, and to cream eggs and sugar together.

1. Fit the spindle to the top of the motor unit.
2. Lower the bowl on to the motor unit, then turn it clockwise to lock it in place.

3. Fit the drive shaft.
 4. Fit the mixer or creamer attachment.
 5. Put the ingredients into the bowl.
 6. Hold the lid with the tube slightly behind the bowl handle, set it on the bowl, then turn it clockwise to lock the tab into the top of the handle.
- To add ingredients while the motor is running, lift the pusher out of the tube, add the ingredients through the tube then replace the pusher.
 - To remove the lid, turn it anti-clockwise to unlock it, then lift it off.

SLICING/GRATING

The general assembly steps are shown in figure D.



1. Fit the spindle to the top of the motor unit.
 2. Lower the bowl on to the motor unit, then turn it clockwise to lock it in place.
 3. Lower the disc over the top of the spindle with the slicing or grating side facing upwards depending to whether you want to slice or grate the ingredients.
 4. Hold the lid with the tube slightly behind the bowl handle, set it on the bowl, then turn it clockwise to lock the tab into the top of the handle.
 5. Remove the pusher, and drop the ingredients down the tube.
 6. Replace the pusher, and use it to push the ingredients gently down the tube.
- Don't use fingers or cutlery to push food down the tube – only the pusher.
 - Don't let the bowl get more than about half full – stop and empty it.
 - To remove the lid, turn it anti-clockwise to unlock it, then lift it off.

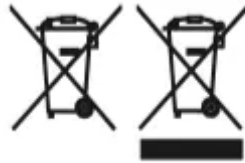
CARE AND MAINTENANCE

1. Switch the appliance off (0) and unplug it.
2. Wipe the outside of the motor unit with a clean damp cloth.
3. Hand wash the removable parts.
4. If you use a dishwasher, the harsh environment inside the dishwasher will affect the surface finishes.
5. The damage should be cosmetic only, and should not affect the operation of the appliance.



You may wash these parts in a dishwasher.

RECYCLING



To avoid environmental and health problems due to hazardous substances, appliances and rechargeable and non-rechargeable batteries marked with one of these symbols must not be disposed of with unsorted municipal waste. Always dispose of electrical and electronic products and, where applicable, rechargeable and non-rechargeable batteries, at an appropriate official recycling/collection point.

Warning

This content is compiled from multiple sources and is provided for reference purposes only. It may not be complete or fully applicable to all situations. If you are unable to resolve your issue, please contact the product manufacturer or an authorized service provider for official support.