

## Package Contents and Technical Specifications

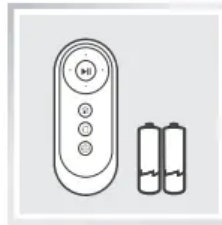
### Package Contents



Robot



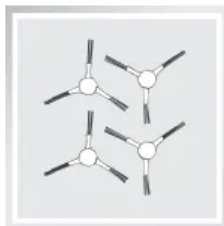
Charging Dock



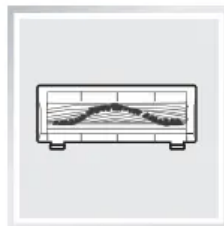
Remote Control with Batteries



Instruction Manual



(4) Side Brushes



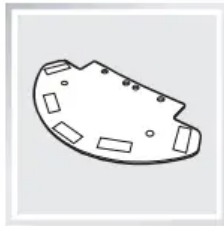
Main Brush Option (Pre-installed)



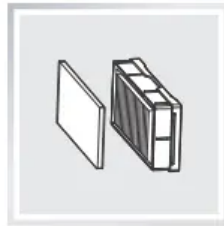
Reservoir



(2) Washable/ Reusable Microfiber Cleaning Cloths



Cleaning Cloth Plate



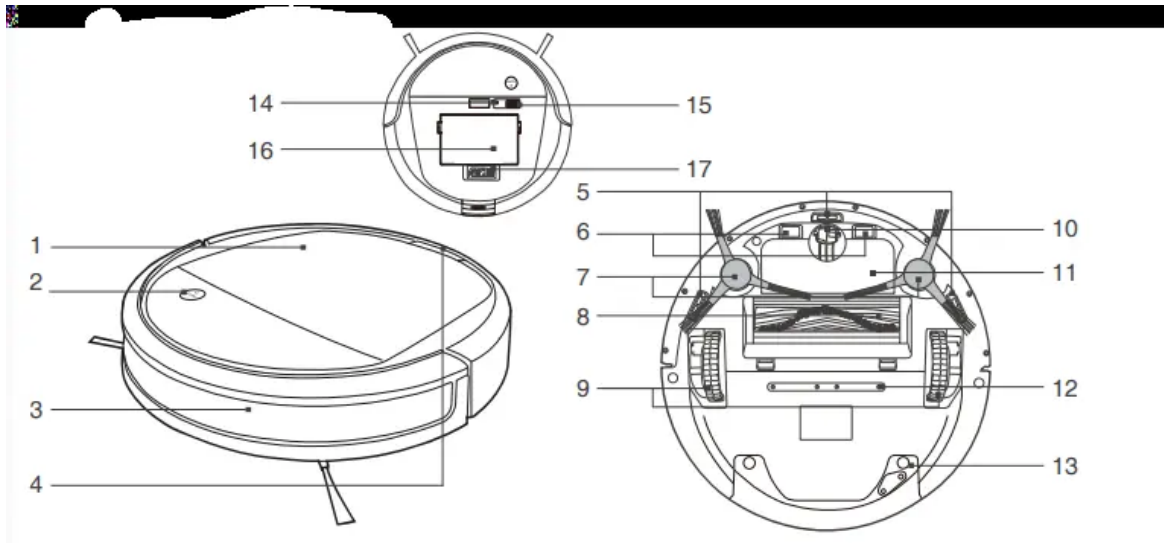
Sponge Filter and High Efficiency Filter

### Specifications

<b>Model</b>	<b>DD3G</b>		
Working Voltage	12V DC	Rated Power	40W
<b>Charging Dock Model</b>	<b>CH1465A</b>		
Rated Input Voltage	100-240V AC	Rated power	20W
Rated Output Current	1A	Rated output voltage	20V DC
<b>Remote Control Model</b>	<b>RC1633</b>	Input Voltage	3V DC
<b>Battery</b>	DM88-BYD Ni-MH3000mAh 12V		

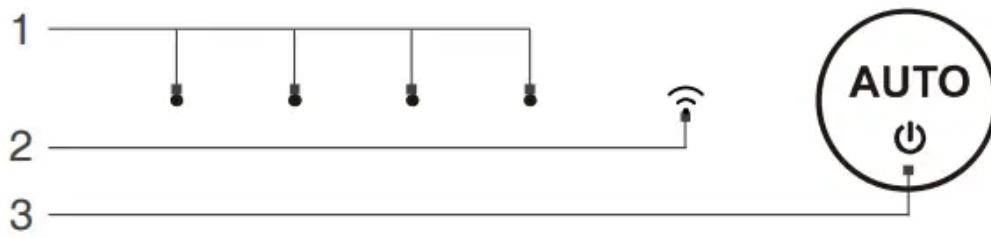
## Product Diagram

### Robot



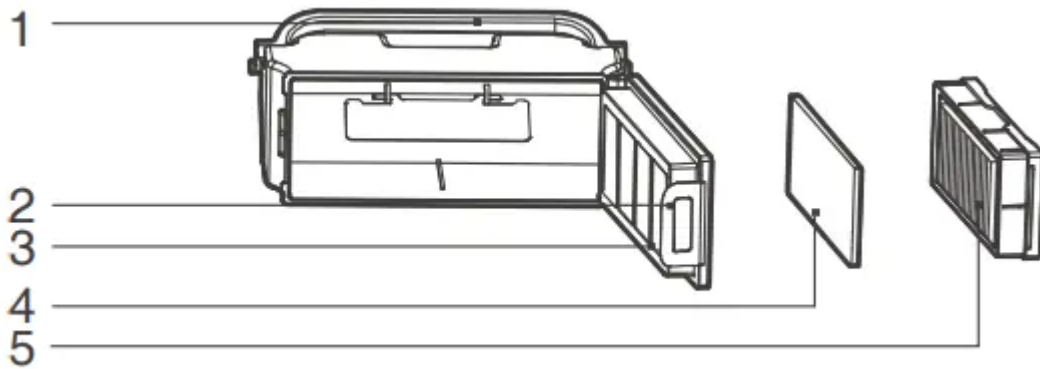
1. Cover
2. AUTO Mode Button
3. Bumper with AntiCollision Sensors
4. Reservoir Release Button
5. Anti-Drop Sensors
6. Charging Contacts
7. Side Brushes
8. Main Brush Option
9. Driving Wheels
10. Universal Wheel
11. Battery Pack
12. Water Outlets
13. Reservoir
14. RESET Button
15. Power Switch
16. Dust Bin
17. Multi-Function Cleaning Tool

## Control Panel



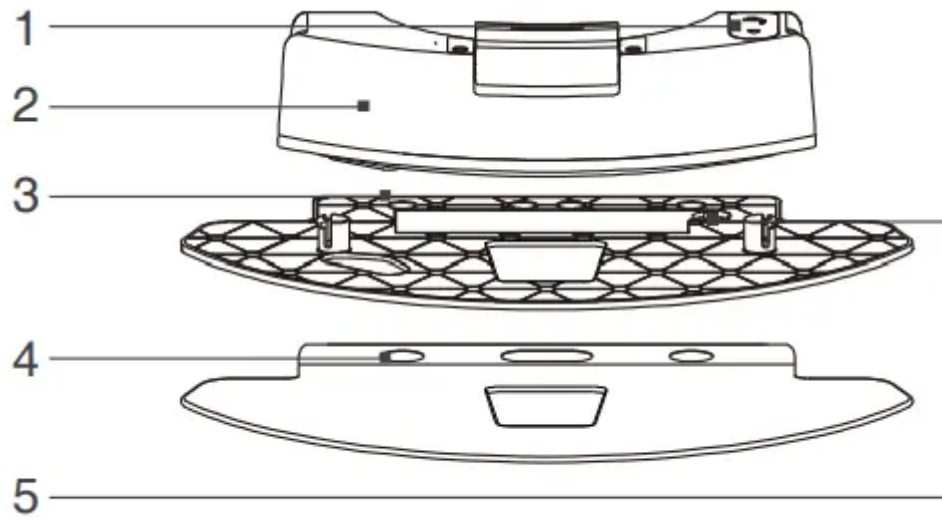
1. Status Indicator Light
2. Wi-Fi Indicator Light
3. AUTO Mode Button

## Dust Bin



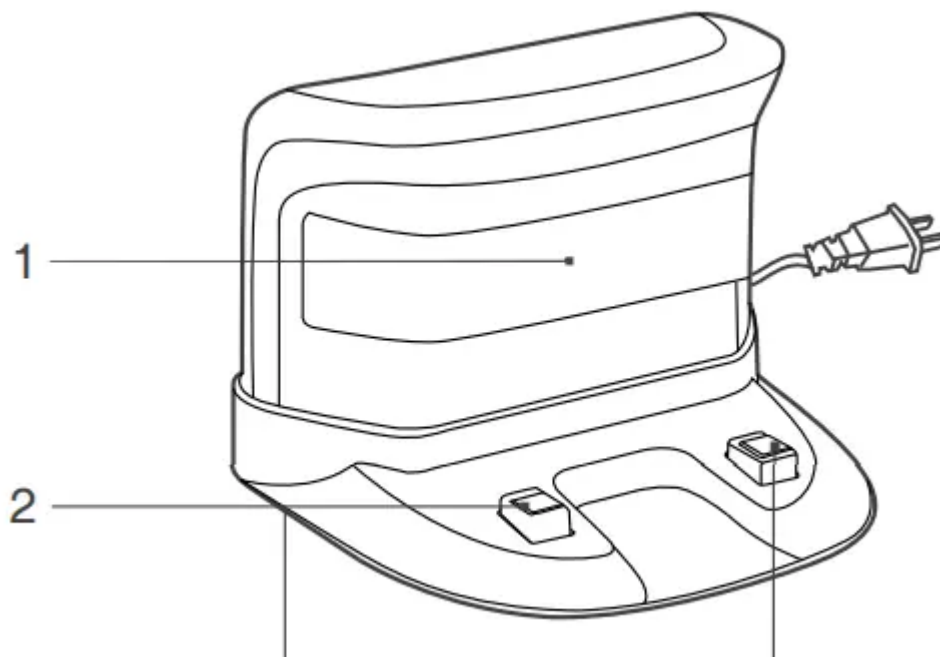
1. Dust Bin Handle
2. Dust Bin Lock
3. Filter Net
4. Sponge Filter
5. High Efficiency Filter

## Advanced Mopping System



1. Water Inlet
2. Reservoir
3. Cleaning Cloth Plate
4. Washable/ Reusable Microfiber Cleaning Cloth
5. Magnet

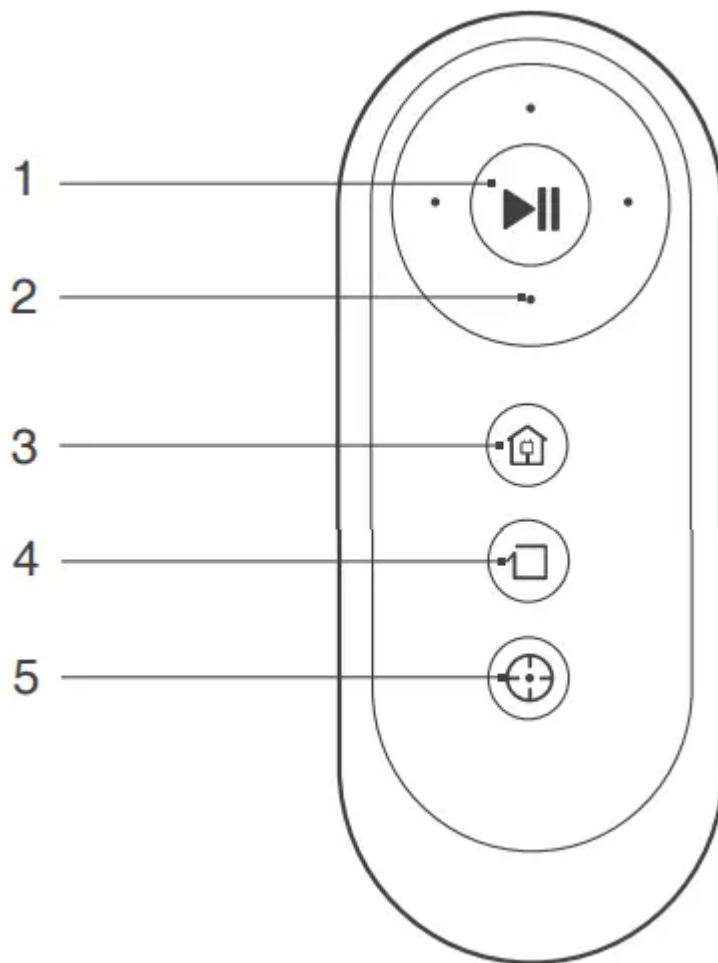
## Charging Dock



1. Infrared Signal Generator

## 2. Charging Dock Pins

### Charging Dock



1. START/PAUSE Button
2. Direction Control Buttons
3. Return to Charger Mode Button
4. Edge Cleaning Mode Button
5. Spot Cleaning Mode Button

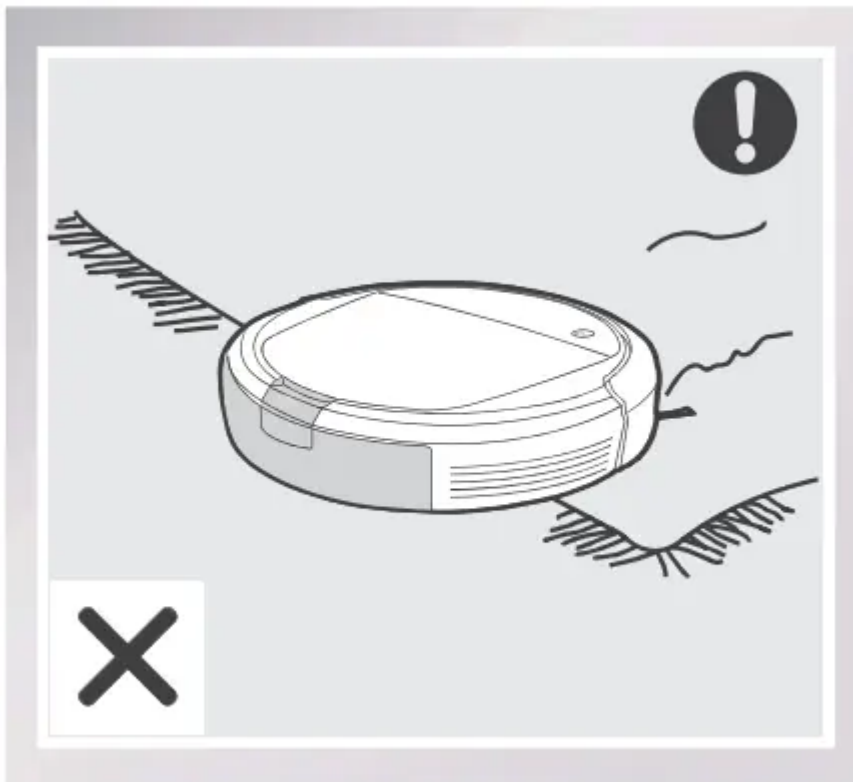
## Operating and Programming

### Notes Before Cleaning

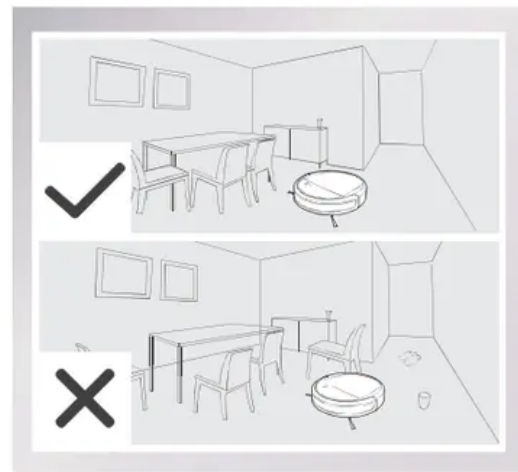
**Before operating DEEBOT, take a few moments to survey the area to be cleaned and remove any obstacles.**



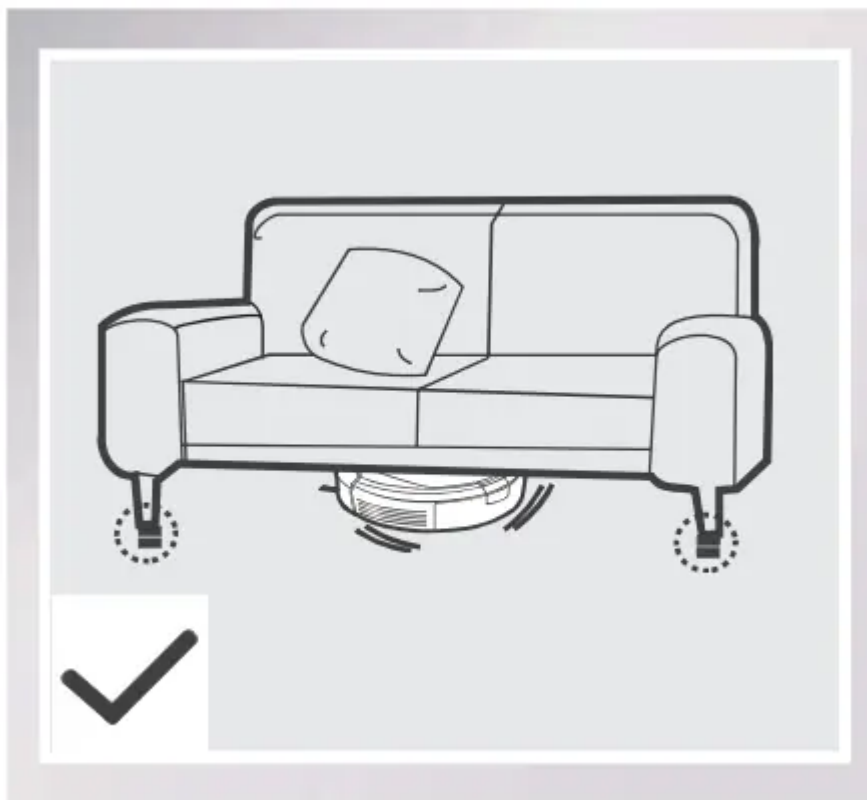
Please take care of DEEBOT and assist it at the cleaning area to put furniture like chairs in their proper place.



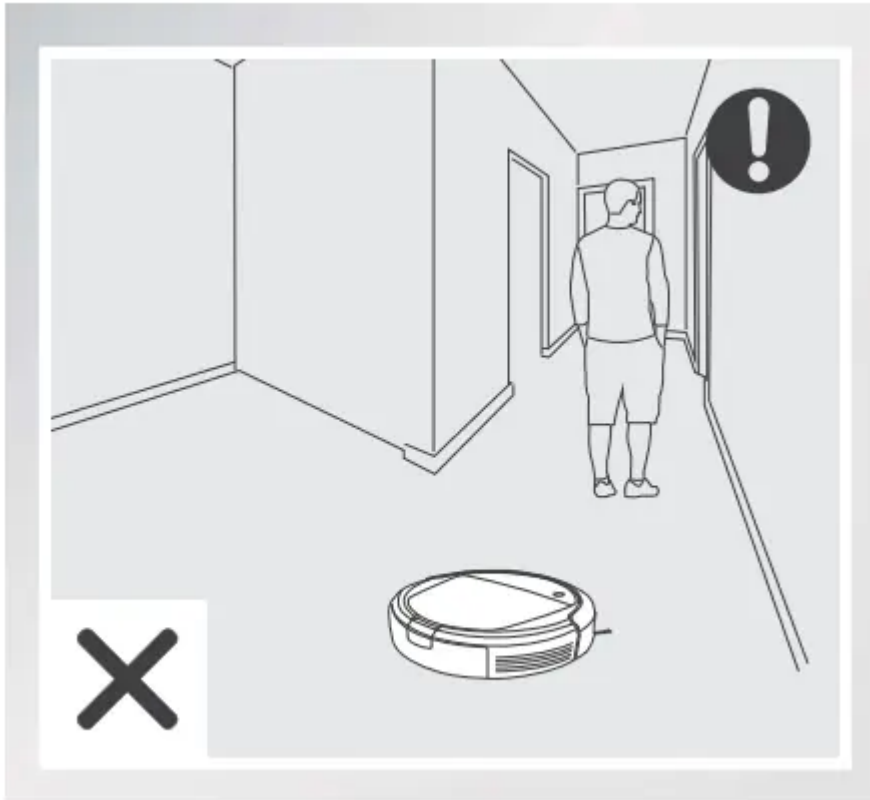
The product is not suitable for use on carpet. Before using the product near an area rug or on a short-pile area rug with tasseled edges, please fold area rug edges under themselves.



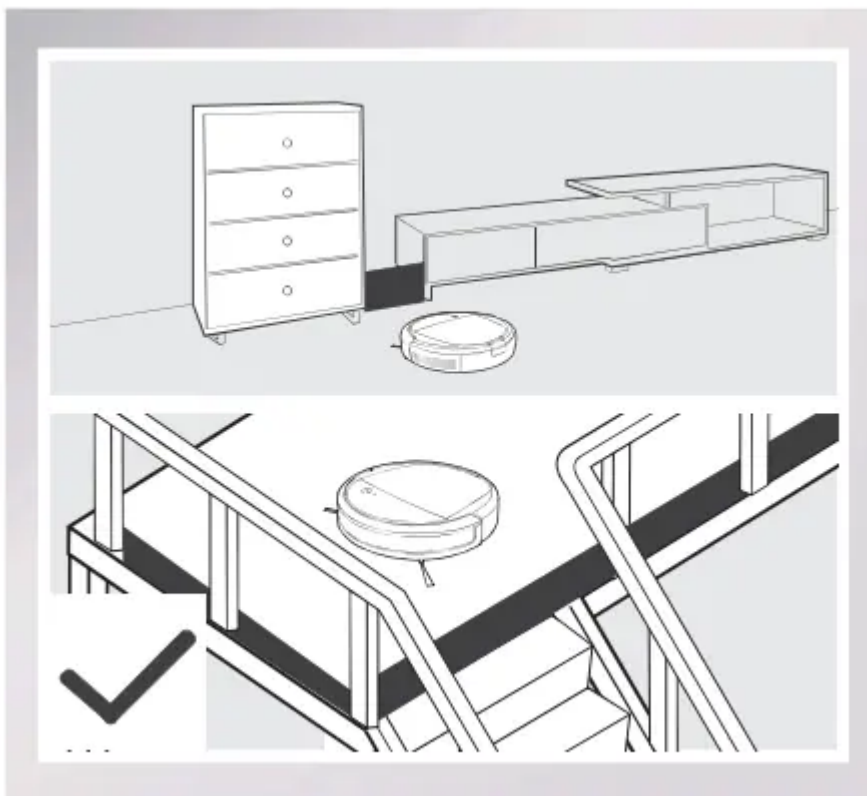
Remove power cords and small objects from the floor that could entangle the product, and tidy up the cleaning area to put furniture like chairs in their proper place.



Please be aware that the robot needs at least an 8 cm (3.1") clearance to clean under furniture without complications.



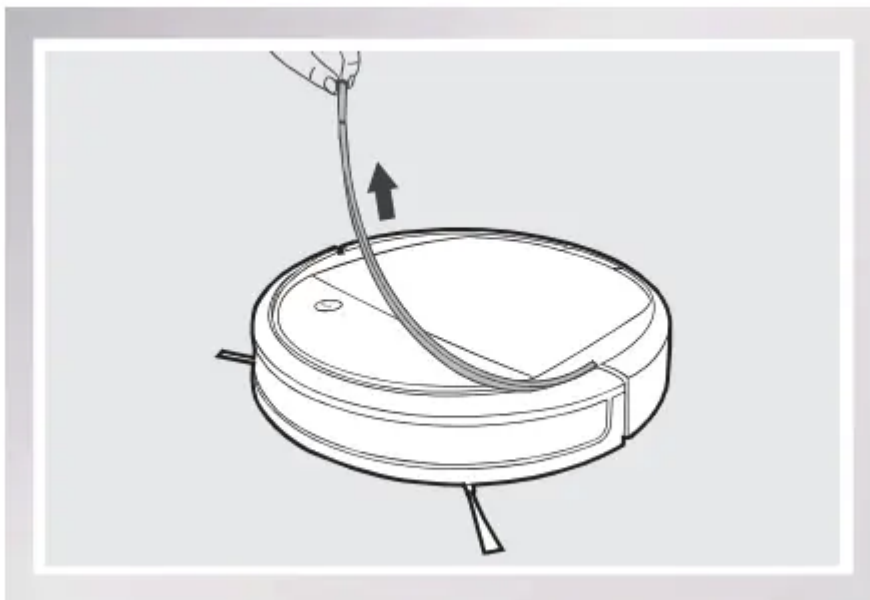
Please do not stand in narrow spaces, such as hallways, or DEEBOT may fail to identify the area to be cleaned.



If there is a step or stairs in the cleaning area, please operate DEEBOT to ensure its AntiDrop Sensors can detect the drop off. It may be necessary to place a physical barrier at the edge of the drop off to keep the unit from falling over the edge.

### Quick Start

\* Remove the protective strip from the robot's Bumper before use.

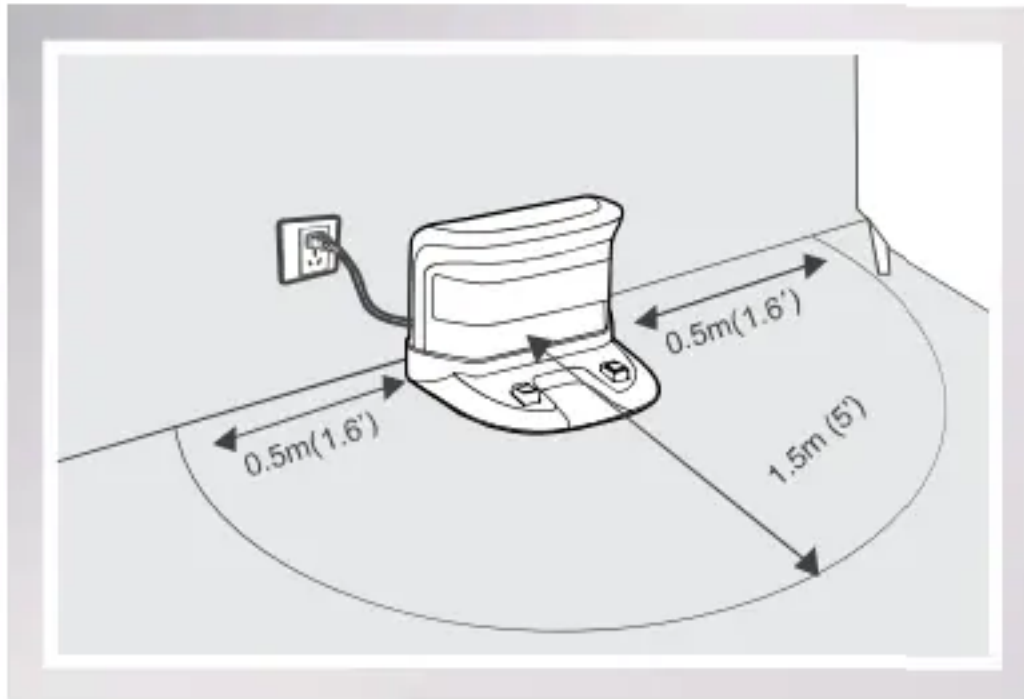




### **Charging Dock Placement**

- Place the Charging Dock on a level floor surface against the wall with the base perpendicular to the ground. Keep the immediate area 1.5m (5') in front of the charger and 0.5m (1.6') on both sides of the charger clear of objects and reflective object surfaces

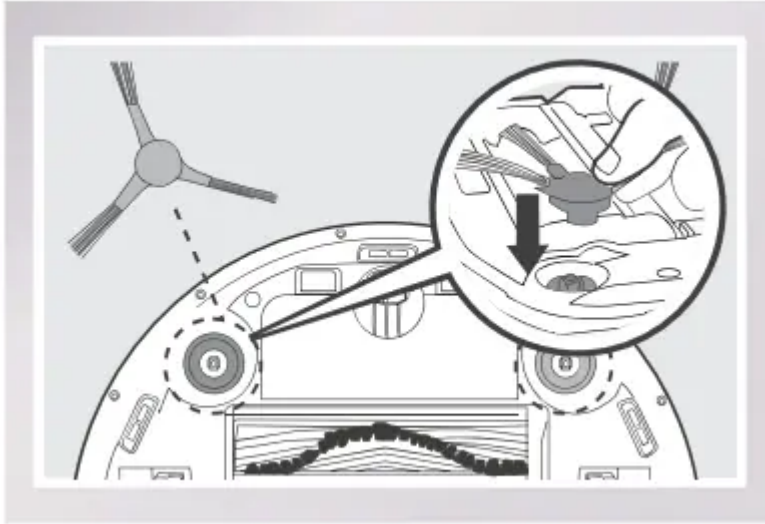
- Plug the Charging Dock in.

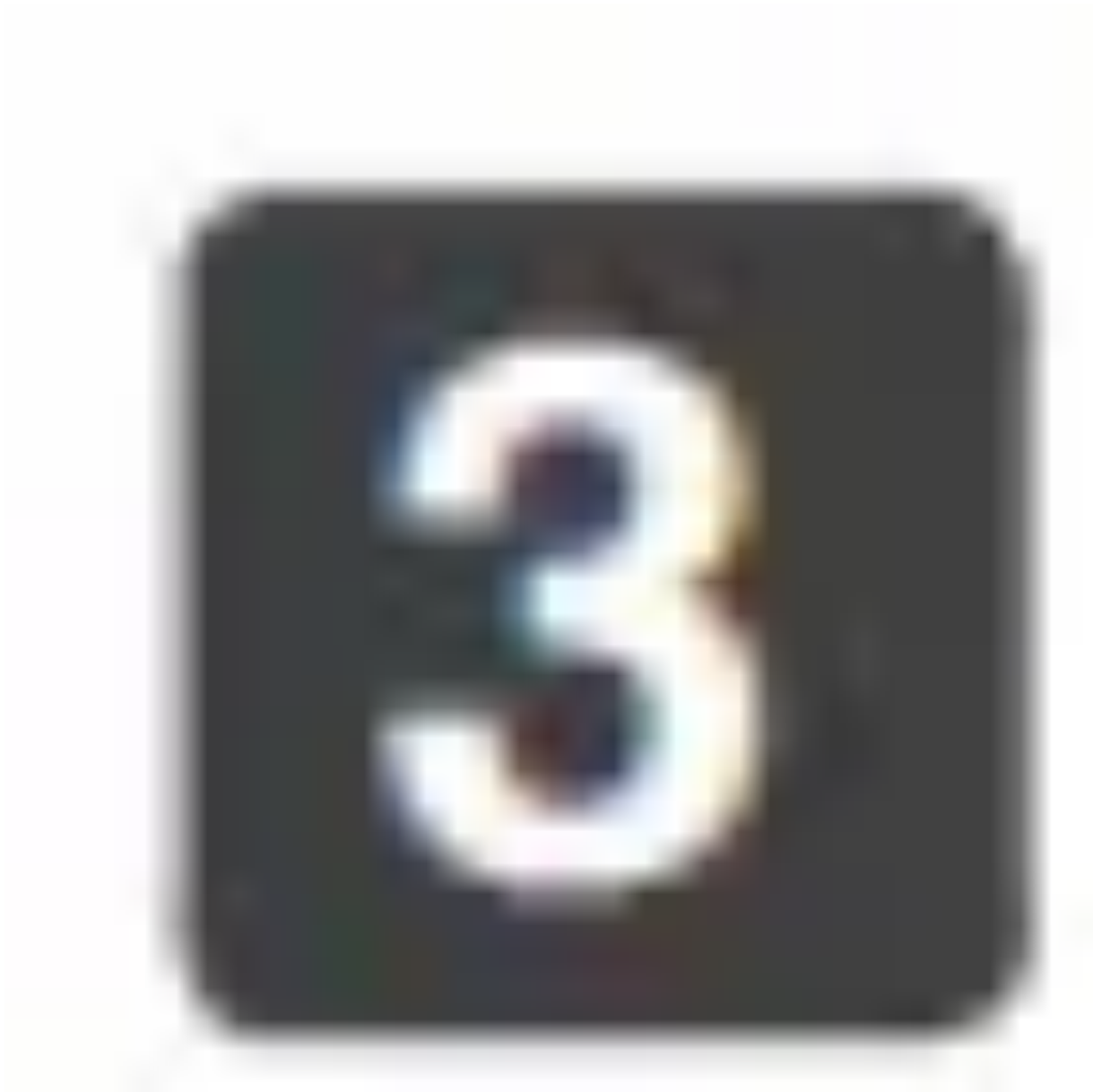




### **Install Side Brushes**

- Attach Side Brushes to the bottom of DEEBOT by pressing a brush into each slot with the matching color until it clicks.

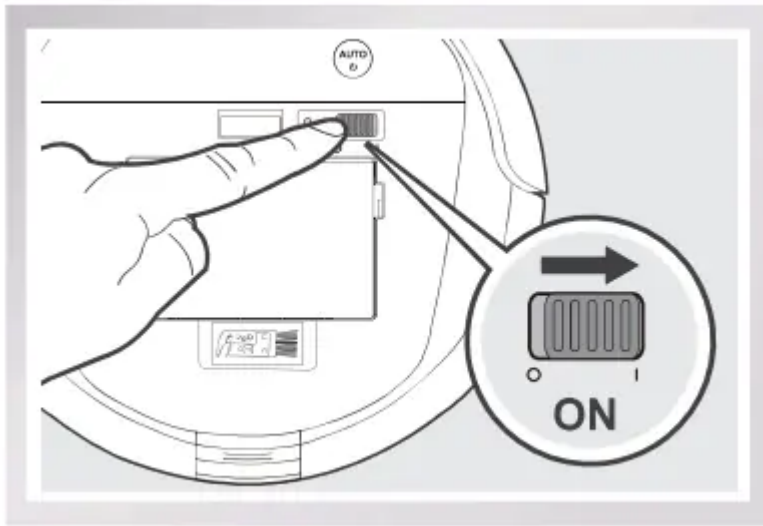




### **Power ON**

- Open the robot's Top Cover. Turn the robot's Power Switch to the ON position. DEEBOT is powered ON when DEEBOT emits a musical sound and the AUTO

Mode Button stays illuminated.



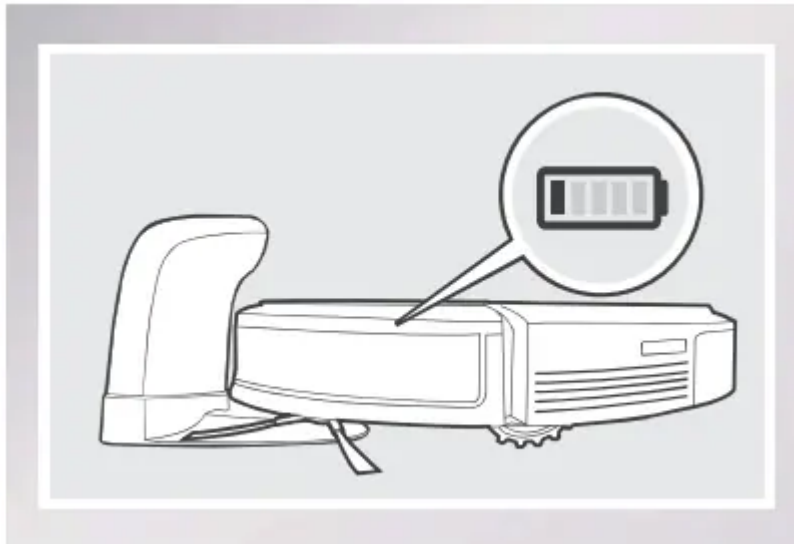
\* When DEEBOT is not cleaning, it is suggested to keep it powered ON and charging instead of powered OFF.





### **Charge DEEBOT**

- Place DEEBOT on the Charging Dock making sure the Charging Contacts on DEEBOT and the Charging Dock Pins make a connection.
- Charge DEEBOT for at least 4 hours before the first use



- Make sure to turn the robot's Power Switch to the ON position before charging.
- AUTO Mode Button blinks when DEEBOT is charging. AUTO Mode Button stops glowing when DEEBOT is fully charged.
- When DEEBOT completes the cleaning cycle or when battery power gets low, DEEBOT automatically returns to the Charging Dock to recharge itself. DEEBOT can also be sent back to the Charging Dock at any time by pressing the Return to Charger Button on the Remote Control.
- Empty any remaining water from the Reservoir and remove the Cleaning Cloth Plate before charging DEEBOT.

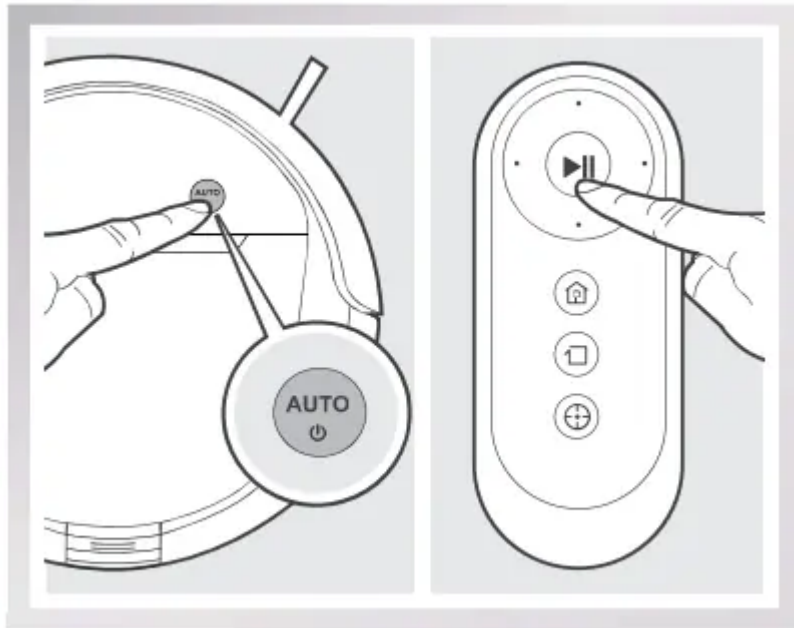


Start

- Press the AUTO Mode Button on DEEBOT or



on  
the Remote Control. DEEBOT starts to work immediately in AUTO Cleaning Mode.





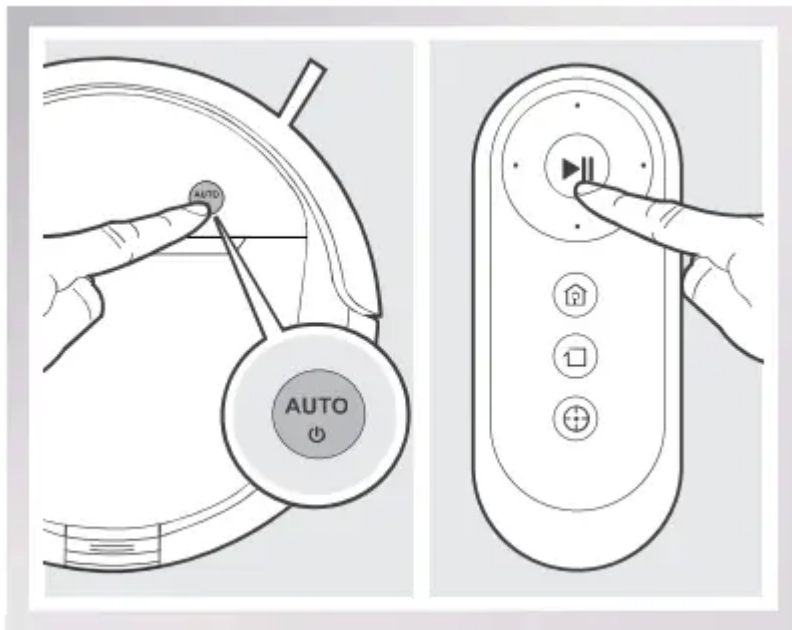
Pause

- Pause DEEBOT by pressing the AUTO Mode Button on DEEBOT or



the Remote Control.

on



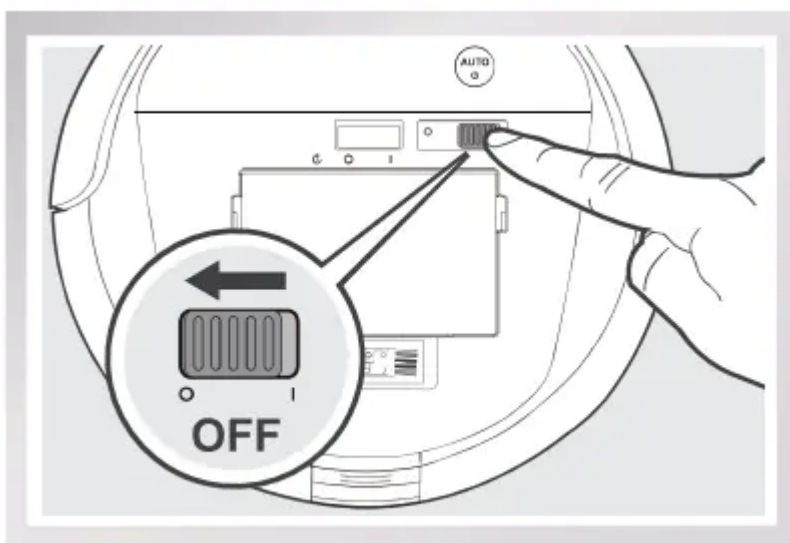
\* DEEBOT can be directed to move forward, backward, left and right using the Direction Control Buttons on the Remote Control when it is Paused.

\* The AUTO Mode Button on the robot's Control Panel stops glowing after the robot is paused for more than 10 minutes. Press AUTO Mode Button on the robot or press any button on the Remote Control to wake up the robot.



### Power OFF

- Pause DEEBOT. Open the robot's Top Cover. Move the Power Switch to the OFF position.



\* When DEEBOT is not cleaning, it is suggested to keep it powered ON and charging.

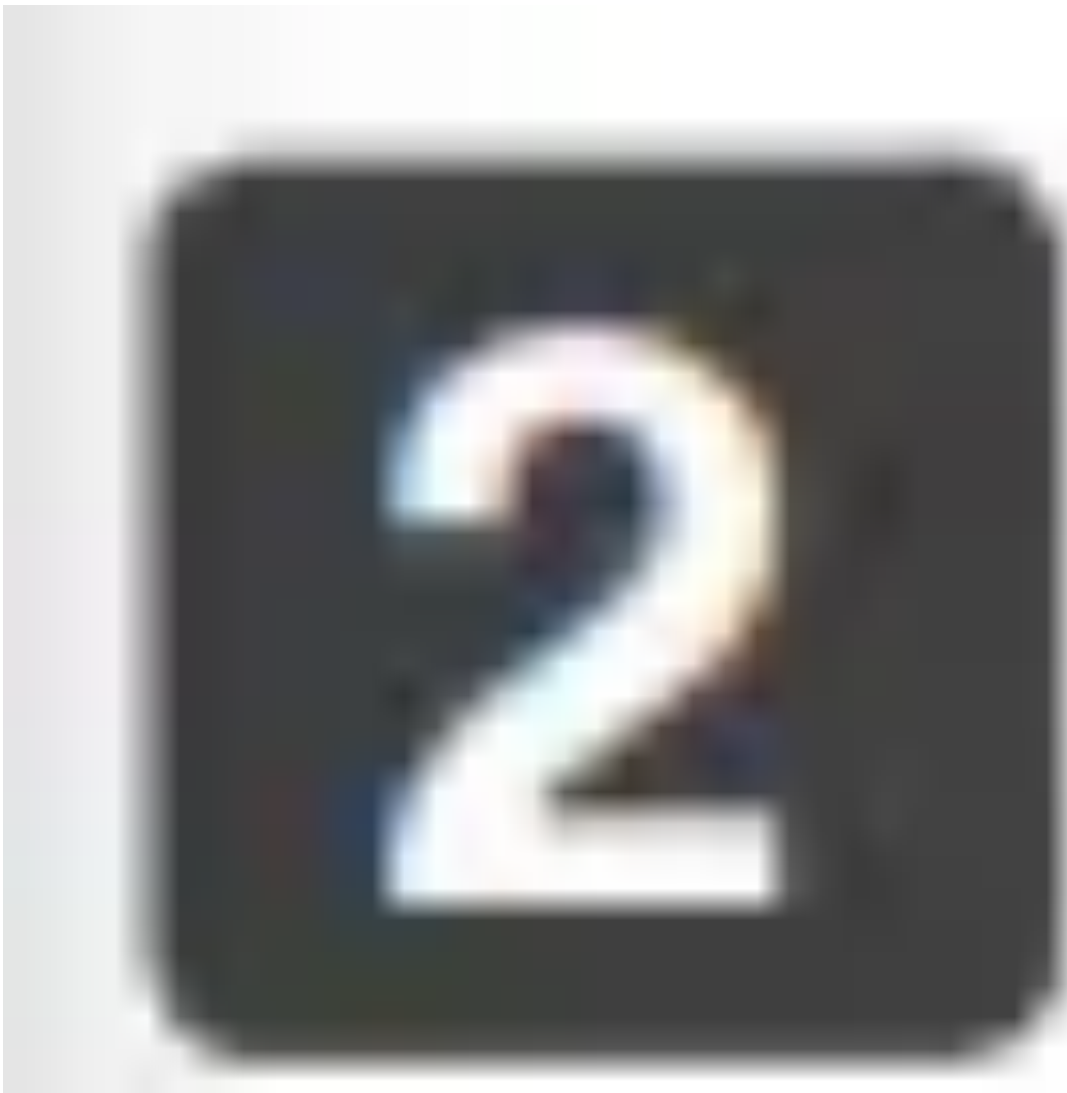
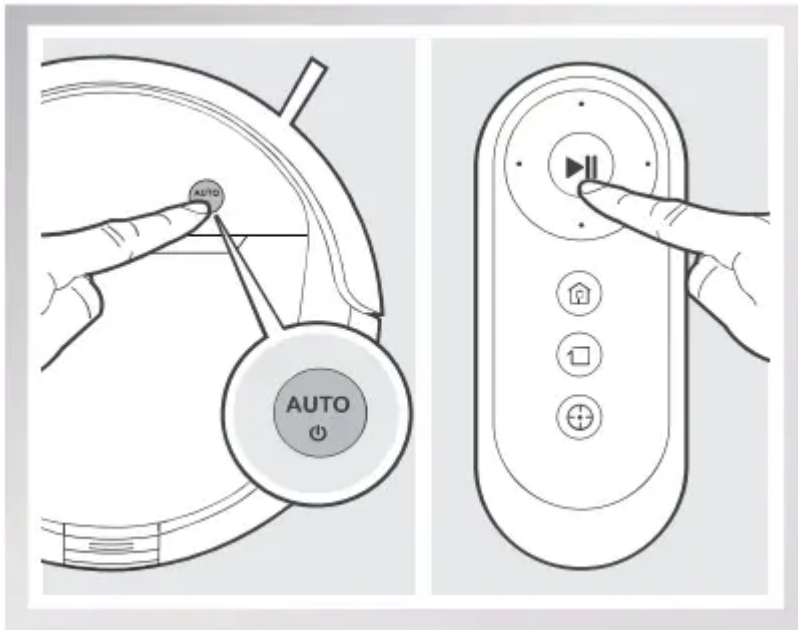
### **Cleaning Mode Selection**

**DEEBOT has several cleaning modes to choose from to effectively clean different floors. Cleaning modes are selected using the Remote Control or ECOVACS App.**



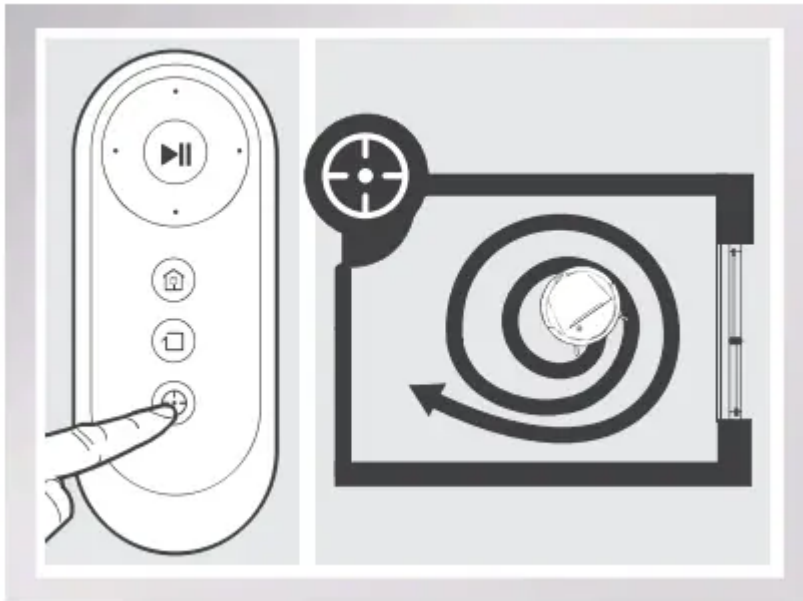
#### **AUTO Cleaning Mode**

This is the most commonly used mode. In AUTO Cleaning Mode, DEEBOT plans the most efficient route and cleans in a back and forth straight-line pattern.



**Spot Cleaning Mode(1-5 minutes)**

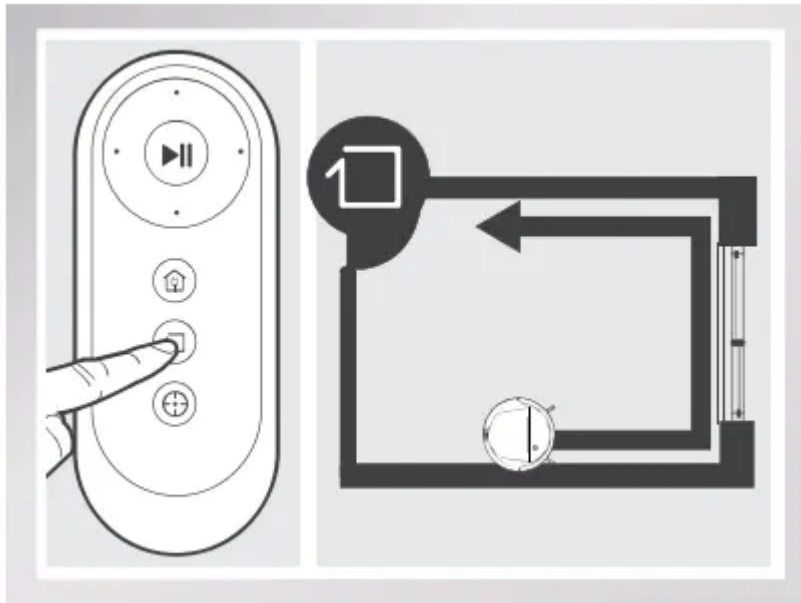
This mode is applicable for an area of highly concentrated dirt or dust. In Spot Cleaning Mode, DEEBOT focuses on a specific area to clean.





### **Edge Cleaning Mode**

This mode is good for cleaning the edges and corners of a room. In Edge Cleaning Mode, DEEBOT cleans along a border (e.g. wall).

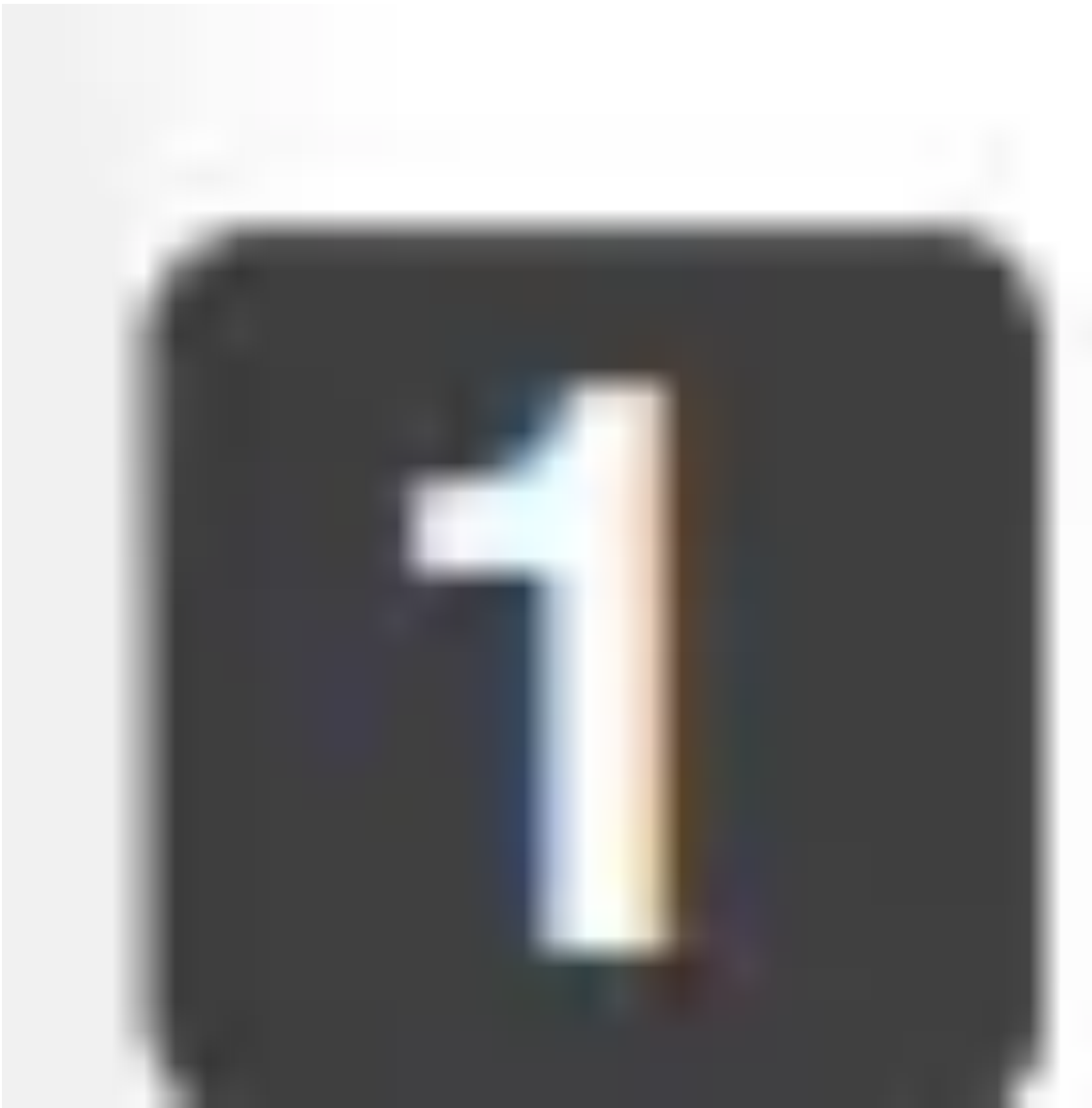


## Programming the Robot

DEEBOT has an Intelligent Scheduling and a Time Scheduling function to schedule cleaning times. DEEBOT can be programmed to automatically clean with Intelligent Scheduling using the robot's Control Panel. DEEBOT can also be programmed with Time Scheduling using the App.

\* All scheduled cleanings are performed in AUTO Cleaning Mode.

### Intelligent Scheduling

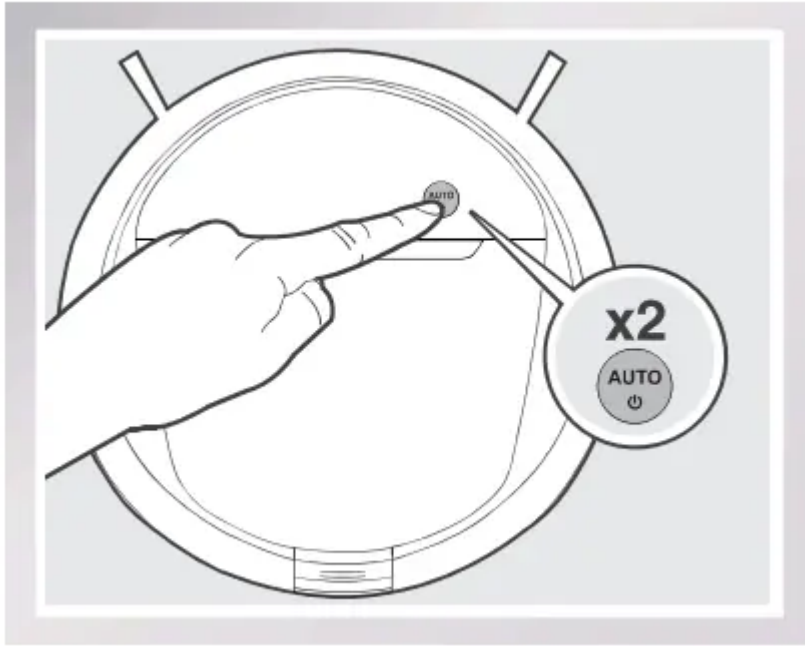


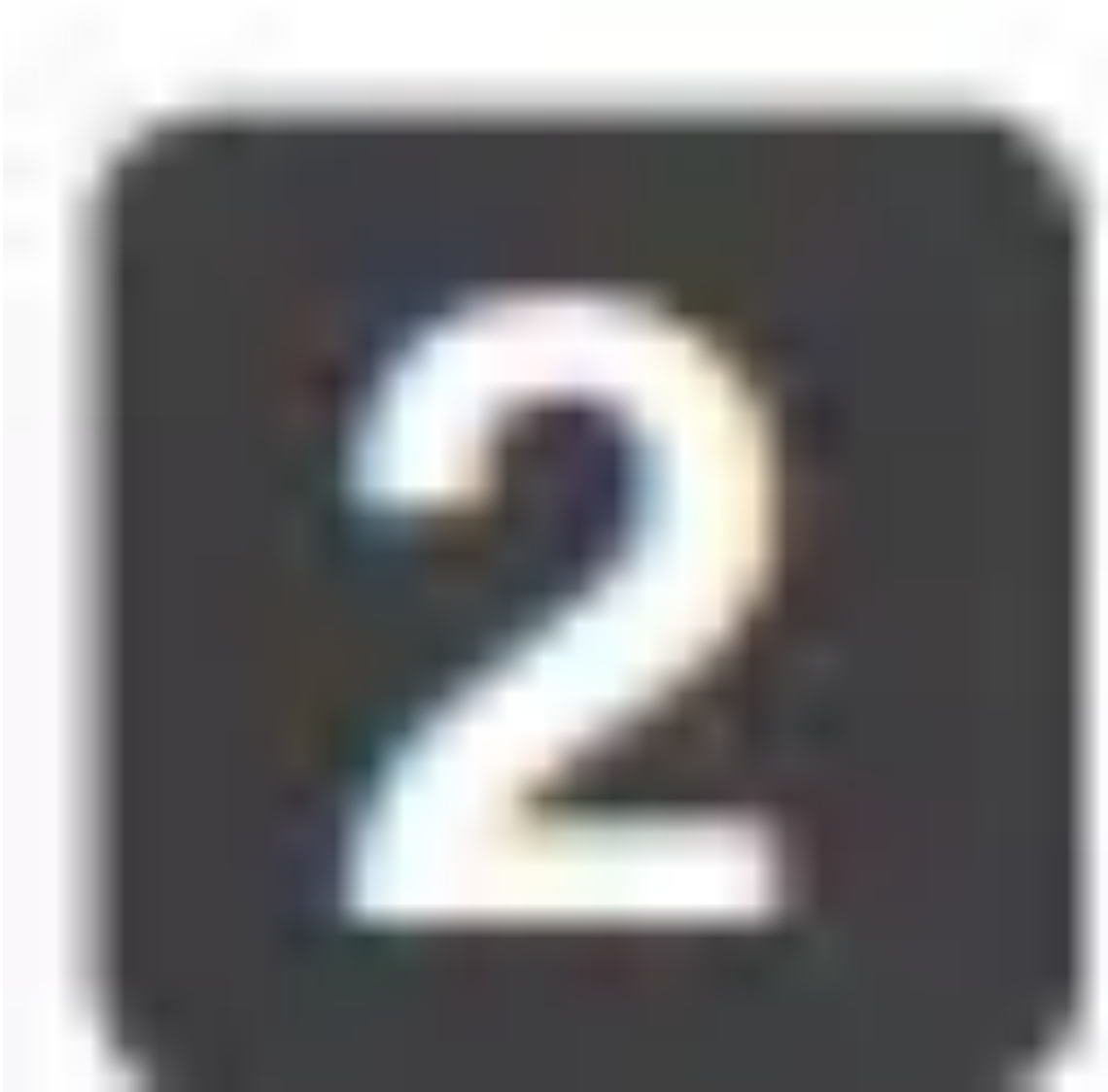
Set

### **Intelligent Scheduling**

DEEBOT can be scheduled to cleaning once per day at the same time, even if nobody is at home. Double-click the AUTO Mode Button on DEEBOT to set the current time as the scheduled cleaning time. Intelligent Scheduling is set when the robot beeps. DEEBOT will automatically clean at the set time every day.

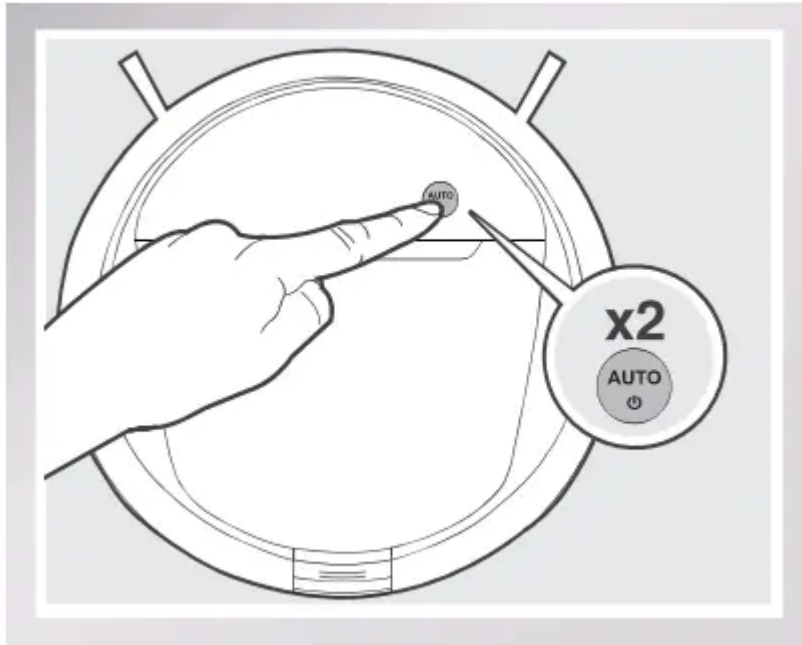
For example: Set Intelligent Scheduling successfully at 9:00am, and DEEBOT automatically cleans at 9:00am every day.





### **Cancel Intelligent Scheduling**

Double-Click the AUTO Mode Button on DEEBOT when DEEBOT is paused. Intelligent Scheduling is cancelled when the robot beeps.



- To automatically clean at another time, first cancel the current Intelligent Scheduling, then set Intelligent Scheduling again at the desired time.
- If DEEBOT is turned OFF, Intelligent Scheduling is cancelled.

### Optional Mopping System

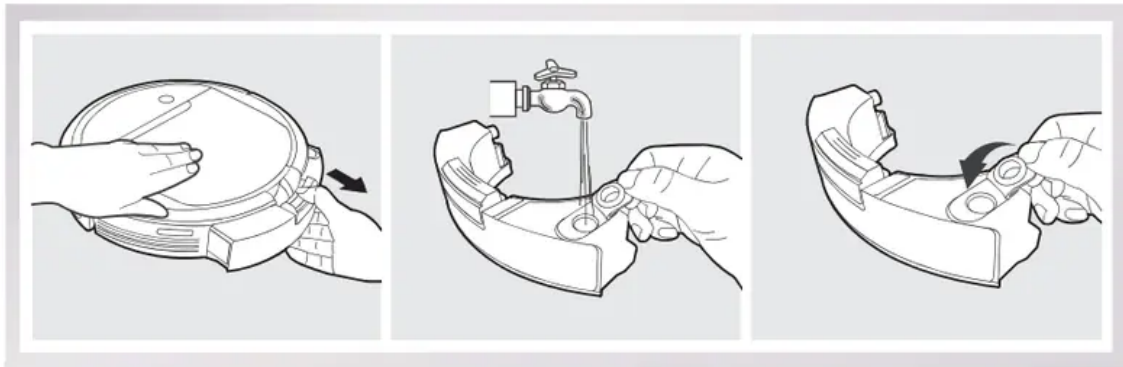
**DEEBOT has an optional Mopping System using a Washable/Reusable Microfiber Cleaning Cloth and Cleaning Cloth Plate attached to a proprietary Reservoir. The washable/reusable Cleaning Cloth automatically damp mops the floor to a spotless clean.**

- Empty the Reservoir and remove the Cleaning Cloth Plate before cleaning on carpet.
- When using the mopping system, fold area rug edges under themselves so DEEBOT will avoid the rug.
- After DEEBOT finishes mopping, empty any remaining water from the Reservoir.
- Empty any remaining water from the Reservoir and remove the Cleaning Cloth Plate before charging DEEBOT.
- Always keep the Reservoir installed when the robot is cleaning or charging.



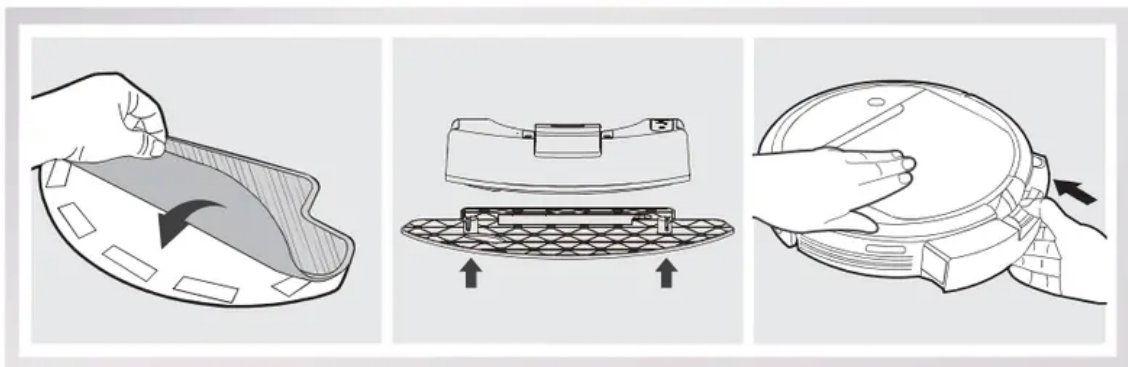
Add

Water into the Reservoir.





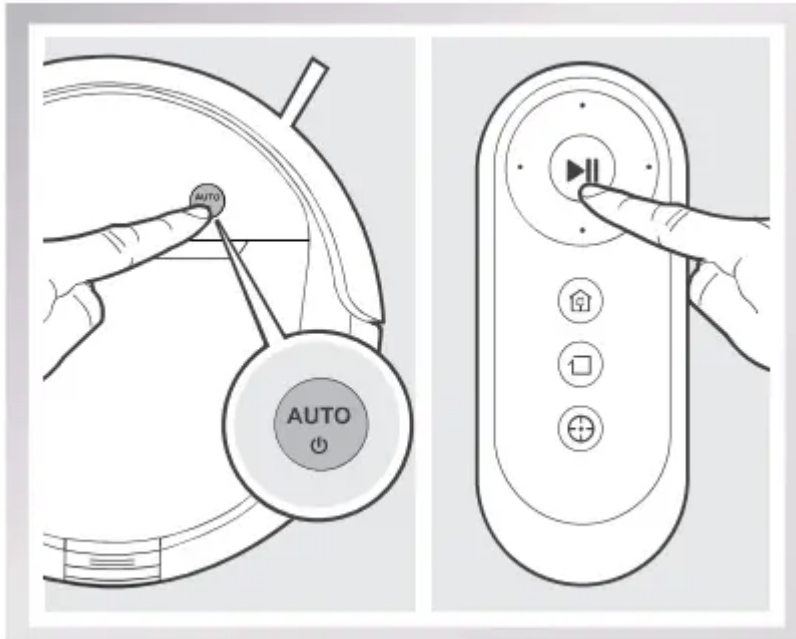
**Attach Cleaning Cloth; Install the Cleaning Cloth Plate and the Reservoir.**





**Start**

Select the desired Cleaning Mode. DEEBOT sweeps, lifts, vacuums and mops in the selected mode.



### Alarm Indicator and Sounds

If DEEBOT detects a problem and needs your assistance, it emits alarm beeps or the Status Indicator Light illuminates.

Alarm Sound	Indicator Light	Problems	Solution
/	Status Indicator Light flashes twice and goes out once DEEBOT is powered ON.	DEEBOT has low battery.	Power ON the robot. Manually place the robot on the Charging Dock and charge.
One Beep	Status Indicator Light flashes RED.	Driving Wheel Malfunction	Check Driving Wheels for tangled hair or debris and clean.
Two Beeps	Status Indicator Light flashes RED.	Main Brush Malfunction	Check Main Brush for tangled hair or debris and clean.
Three Beeps	Status Indicator Light flashes RED.	Driving Wheel Malfunction	Turn over the robot. Press Driving Wheels to check for a clicking sound. If they do not click, please contact Customer Service.
		DEEBOT gets into trouble while working and stops.	Manually remove the obstacles and restart DEEBOT.
Four Beeps	Status Indicator Light flashes RED.	Dust Bin Malfunction	Remove the Dust Bin and re-install it properly. If the robot still emits the alarm, please contact Customer Service.
Five Beeps	Status Indicator Light flashes RED.	Low Battery	Manually place the robot on the Charging Dock to charge.
Six Beeps	Status Indicator Light flashes RED.	Side Brush Malfunction	Check Side Brush for tangled hair or debris and clean.
Seven Beeps	Status Indicator Light flashes RED.	Anti-Drop Sensor Malfunction	Check Anti-Drop Sensors for dust and clean.
Eight Beeps	Status Indicator Light flashes RED.	DEEBOT is powered OFF while charging.	Power ON the robot.

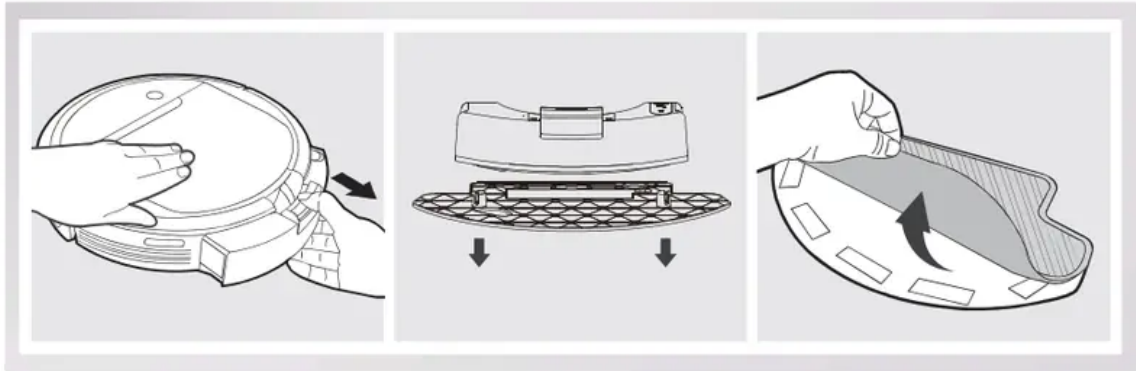
## Maintenance

Before performing cleaning and maintenance, power OFF DEEBOT and unplug the Charging Dock.

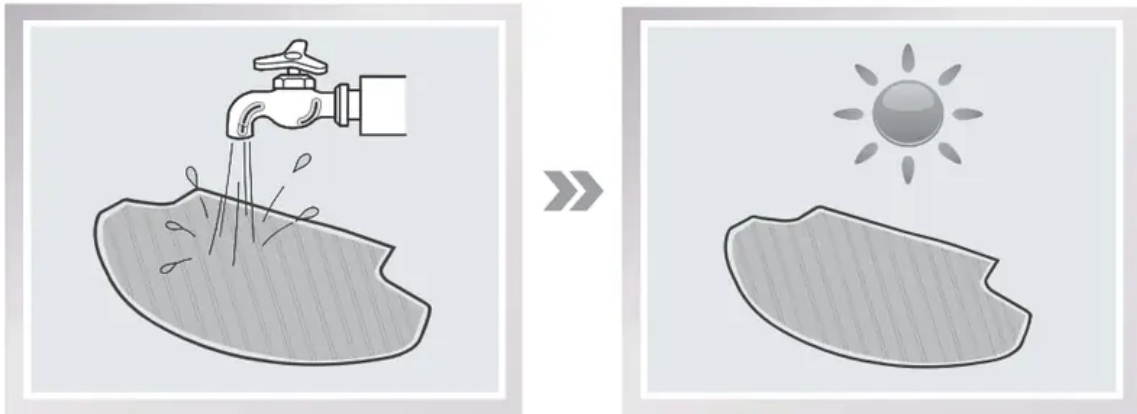
### Mopping System

After DEEBOT finishes mopping, remove the Reservoir from DEEBOT, and maintain the Reservoir, the Cleaning Cloth and the Cleaning Cloth Plate immediately.

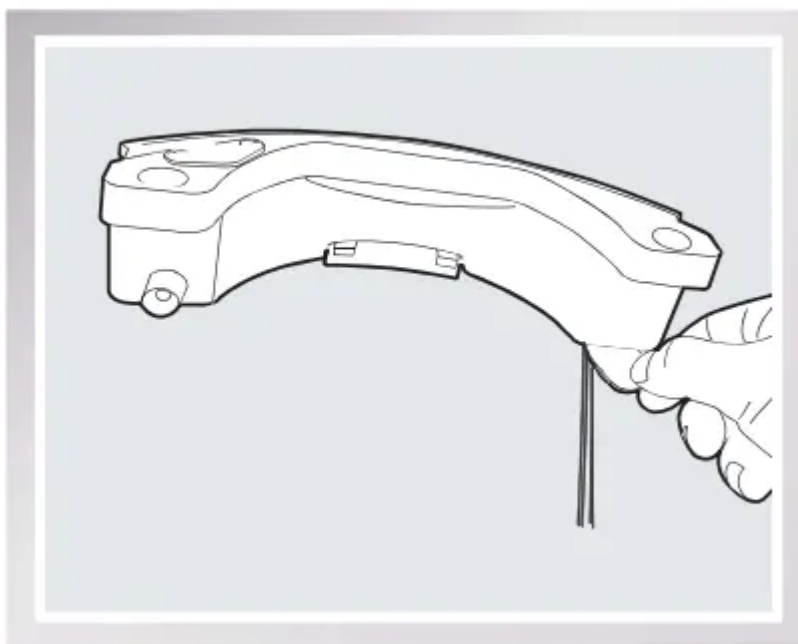
Press the Release Button and pull to remove the Reservoir. Remove the Cleaning Cloth Plate and the Cleaning Cloth.



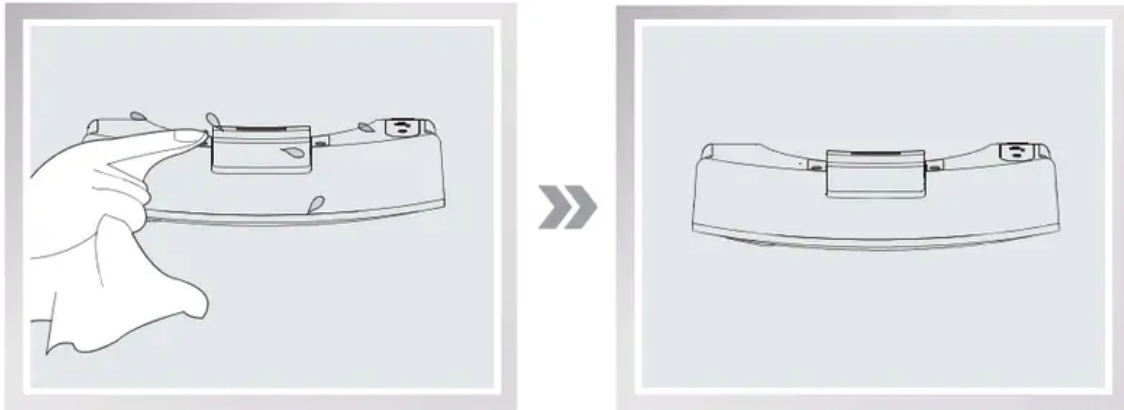
Wash the Cleaning Cloth and lay flat to dry



Empty any remaining water from the Reservoir.

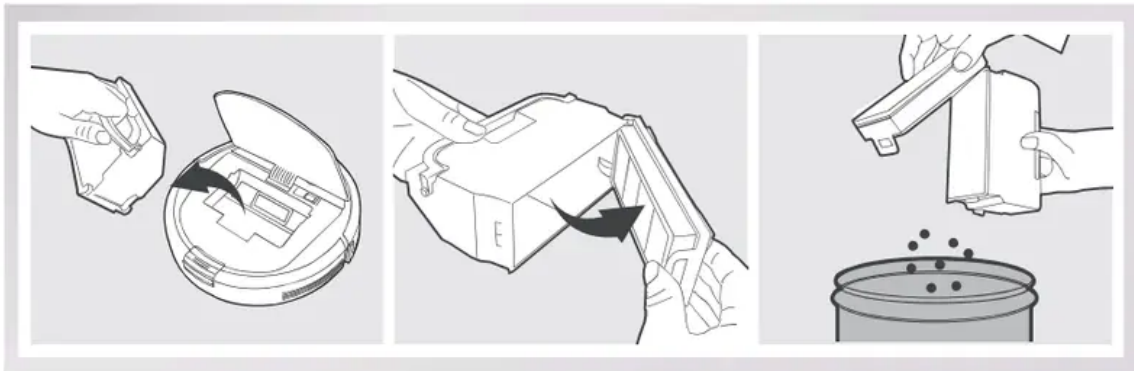


Wipe the outside of the Reservoir with a dry cloth and lay flat to dry. Avoid direct sunlight

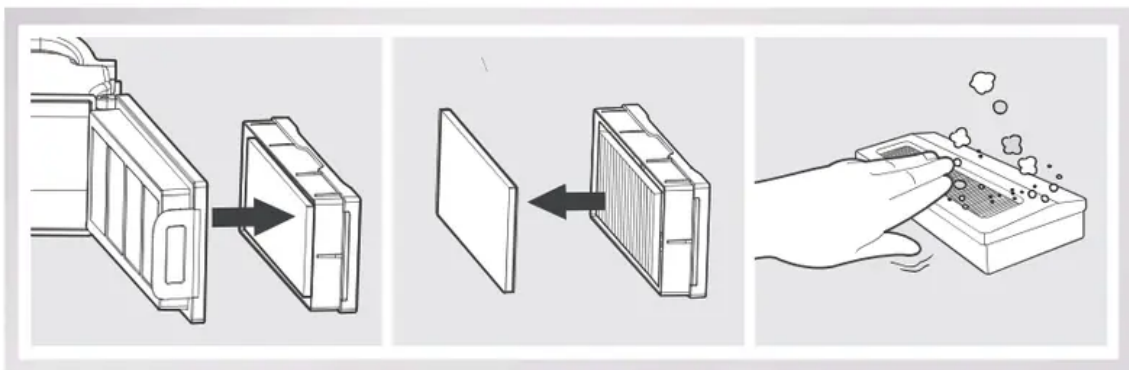


### Dust Bin and Filters

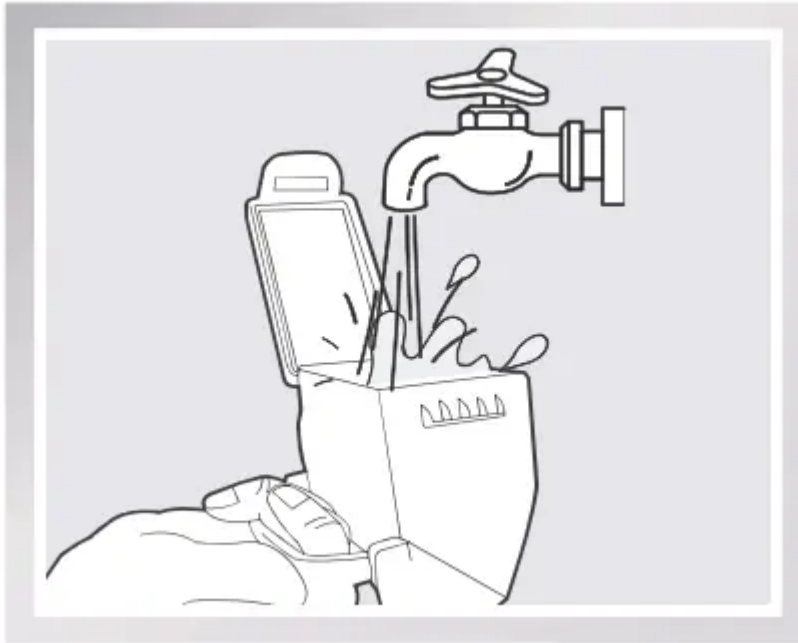
Open the robot's Top Cover and remove the Dust Bin. Open the Dust Bin Cover and empty the Dust Bin.



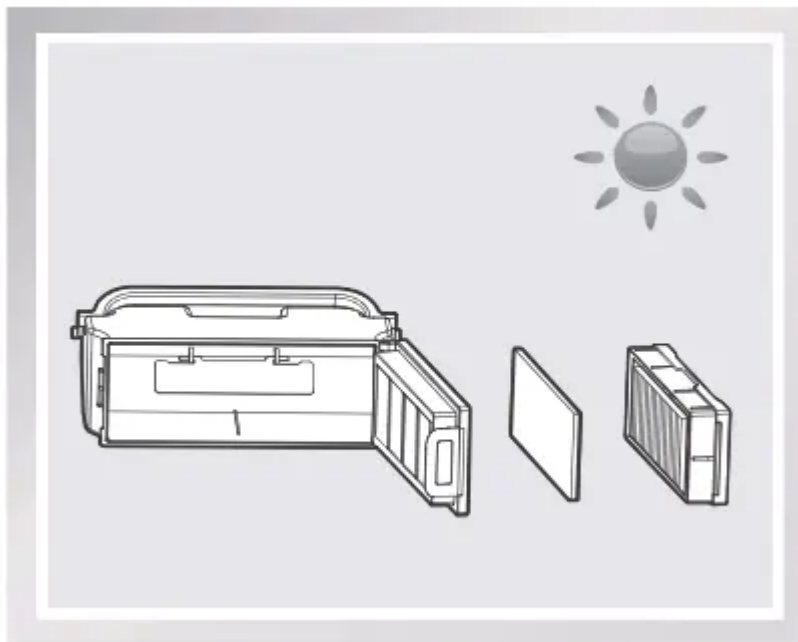
Remove the filters. Pat the High Efficiency clean. Do not rinse the High Efficiency Filter under water.



Rinse the Sponge Filter, Dust Bin and Filter Net under running water



Dry the Dust Bin and filters completely before reinstalling.

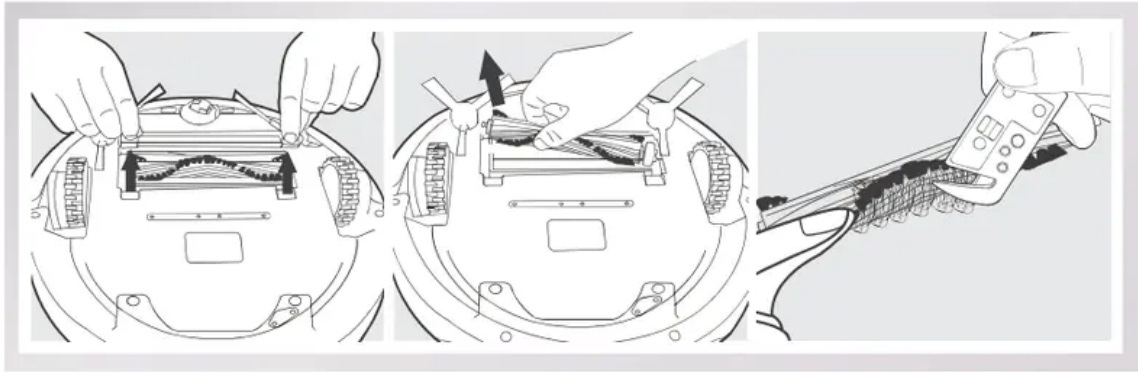


### **Main Brush and Side Brushes**

- A Multi-Function Cleaning Tool is provided for easy maintenance. Handle with care, this cleaning tool has sharp edges.

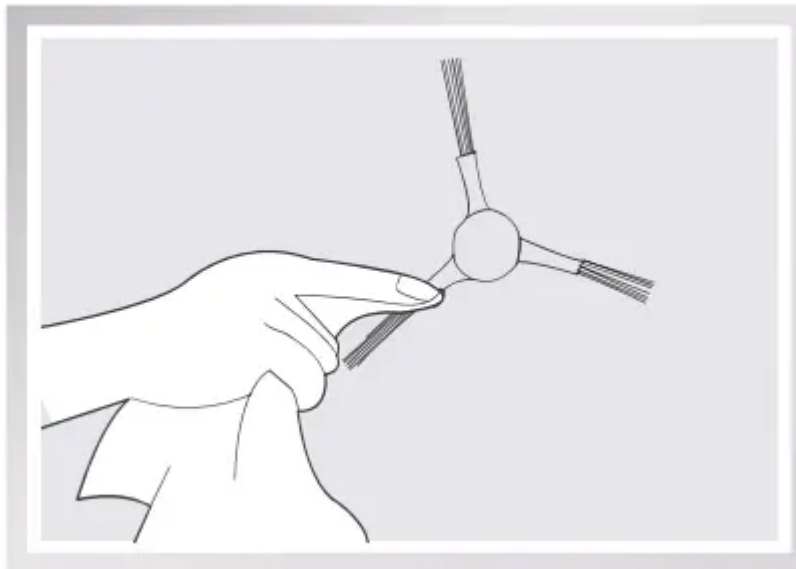
#### **Main Brush**

Turn the robot over. Push both buttons on the Main Brush Option and remove the Main Brush cover. Remove the Main Brush. Use the Multi-Function Cleaning Tool to cut off and remove any hair tangled around the Main Brush. Clean any tangled hair or debris from the Main Brush.



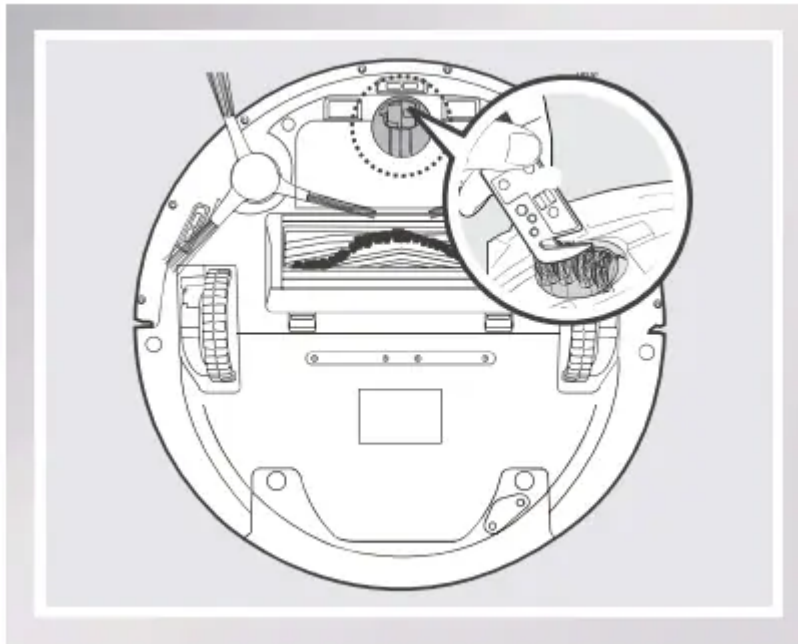
### **Cleaning the Side Brushes**

Remove any hair or debris tangled around the Side Brushes with the provided Multi-Function Cleaning Tool. Remove the Side Brushes and wipe the Side Brushes and their slots with a clean cloth.

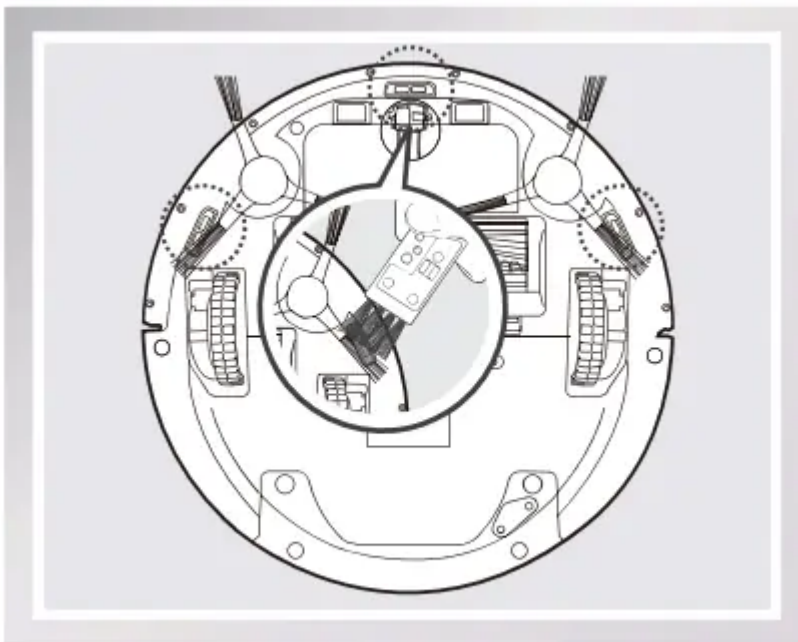


### **Other Components**

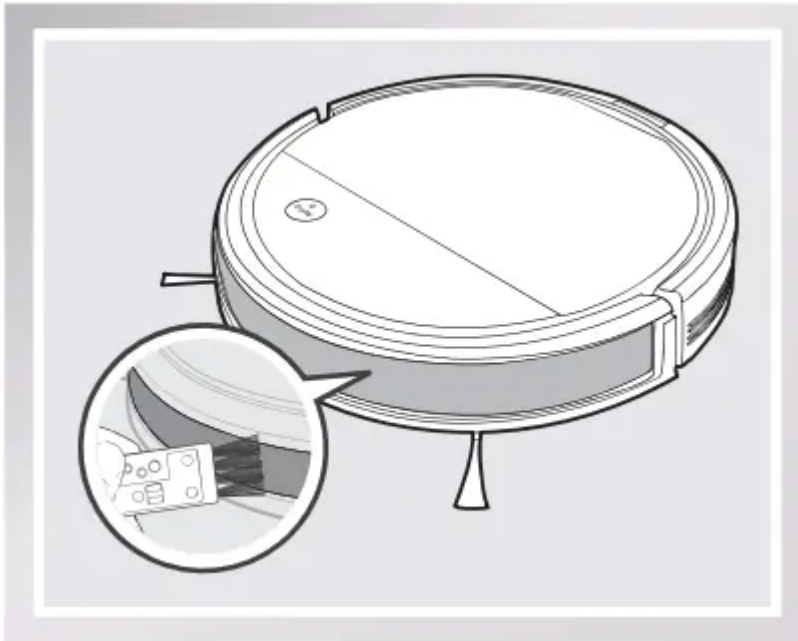
Use the Multi-Function Cleaning Tool to cut off and remove any hair tangled around the Universal Wheel.



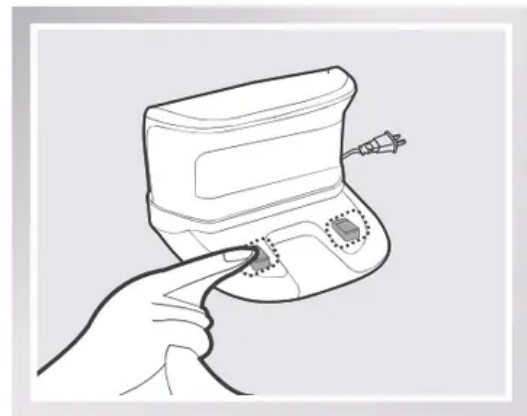
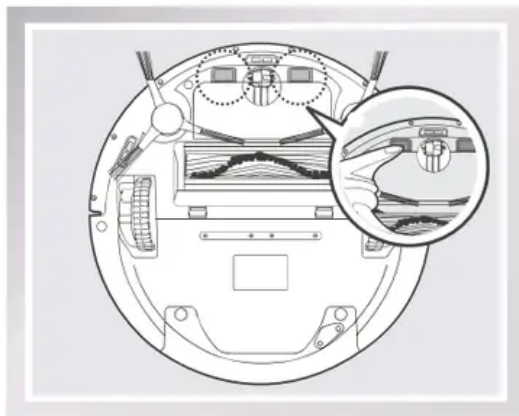
Wipe the Anti-Drop Sensors with the brush of the Multi-Function Cleaning Tool to maintain their effectiveness.



Wipe the Bumper with the brush of the MultiFunction Cleaning Tool.



Wipe the robot's Charging Contacts and Charging Docks Pins with a dry cloth to maintain their effectiveness.



### Regular Maintenance

To keep DEEBOT running at peak performance, perform the maintenance and replacement according to the following frequency. A Multi-Function Cleaning Tool is provided for easy maintenance. Handle with care, this cleaning tool has sharp edges.

Robot Part	Maintenance Frequency	Replacement Frequency
Cleaning Cloth	After each use	Every 50 washings
Dust Bin/Reservoir/ Cleaning Cloth Plate	After each use	/
Side brush	Once every 2 weeks	Every 3-6 months
Main Brush	Once per week	Every 6-12 months
Sponge Filter/ High Efficiency Filter	Once per week (twice per week with pets in home)	Every 4-6 months
Universal Wheel Anti-Drop Sensors Bumper Charging Contacts Charging Dock Pins	Once per week	/

**Note:** ECOVACS manufactures various replacement parts and assemblies. Please contact Customer Service for more information on replacement parts.

## Troubleshooting

Please use this chart to troubleshoot common problems using DEEBOT.

No.	Malfunction	Possible Causes	Solutions
1	<b>DEEBOT will not charge.</b>	DEEBOT is not powered ON.	Move the robot's Power Switch to the ON position.
		DEEBOT has not made a connection with the Charging Dock.	Be sure that the robot's Charging Contacts have made a connection with the Charging Dock Pins. You may move the robot manually to make the connection if necessary
		Charging Dock is unplugged while DEEBOT is powered ON, which causes battery consumption.	Plug in the Charging Dock and ensure DEEBOT is powered ON. Keep DEEBOT on the Charging Dock to make sure it has full battery to work at any time.
		The battery is completely discharged.	Re-activate the battery. Place DEEBOT on the Charging Dock by hand, remove after charging for 3 minutes, repeat 3 times; then charge normally.
2	<b>DEEBOT cannot return to the Charging Dock</b>	The Charging Dock is not placed properly.	Refer to section 3.2 to place the Charging Dock properly
3	<b>DEEBOT gets into trouble while working and stops.</b>	DEEBOT is tangled with something on the floor (electrical cords, drooping curtains, area rug fringe etc.).	DEEBOT will try various ways to get itself out of trouble. If it is unsuccessful, check the Side Brushes and remove anything tangled around the Side Brushes, or manually remove the obstacles and restart.



4	<b>DEEBOT returns to the Charging Dock before it finishes cleaning.</b>	When battery power gets low, DEEBOT automatically switches to Return to Charger Mode and returns to the Charging Dock to recharge itself.	This is normal. No solution necessary.
		Working time varies according to floor surface, room complexity and the selected Cleaning Mode.	This is normal. No solution necessary.
5	<b>DEEBOT will not clean automatically at scheduled time.</b>	Intelligent Scheduling or Time Scheduling function is cancelled.	Please refer to section 3.4 for details.
		DEEBOT is powered OFF	Power ON DEEBOT.
		The robot's battery is low.	Keep DEEBOT powered ON and on the Charging Dock to make sure it has full battery to work at any time.
		The robot's Suction Intake is blocked and/or its components are tangled with debris.	Turn the robot's power OFF, clean the Dust Bin and invert the robot. Clean the robot's Suction Intake and Side Brushes.
6	<b>DEEBOT misses cleaning area.</b>	The cleaning area needs tidying up.	Please remove small objects from the floor, and tidy up cleaning area before DEEBOT starts cleaning.
7	<b>Remote Control failure (effective control range of Remote Control is 5m (16')).</b>	The batteries in the Remote Control need to be replaced.	Replace with new batteries making sure they are installed correctly.
		DEEBOT is powered OFF or the robot's battery is low	Make sure DEEBOT is powered ON and fully charged.

		The infrared signal cannot be transmitted because the Infrared Emitter on Remote Control or the Infrared Receiver on DEEBOT is dirty.	Use clean dry cloth to wipe the Infrared Emitter on Remote Control and the Infrared Receiver on DEEBOT.
		There is other equipment interfering with the infrared signal to DEEBOT	Avoid using the Remote Control near other equipment using infrared signals.
8	<b>The water is not coming out of the Reservoir when DEEBOT is mopping.</b>	The Magnet on the Cleaning Cloth Plate comes off.	Please contact Customer Service.
		The Reservoir runs out of water.	Add water into the Reservoir.
		The water outlets on the bottom of DEEBOT are clogged.	Check the water outlets on the bottom and clean.

### Warning

This content is compiled from multiple sources and is provided for reference purposes only. It may not be complete or fully applicable to all situations. If you are unable to resolve your issue, please contact the product manufacturer or an authorized service provider for official support.