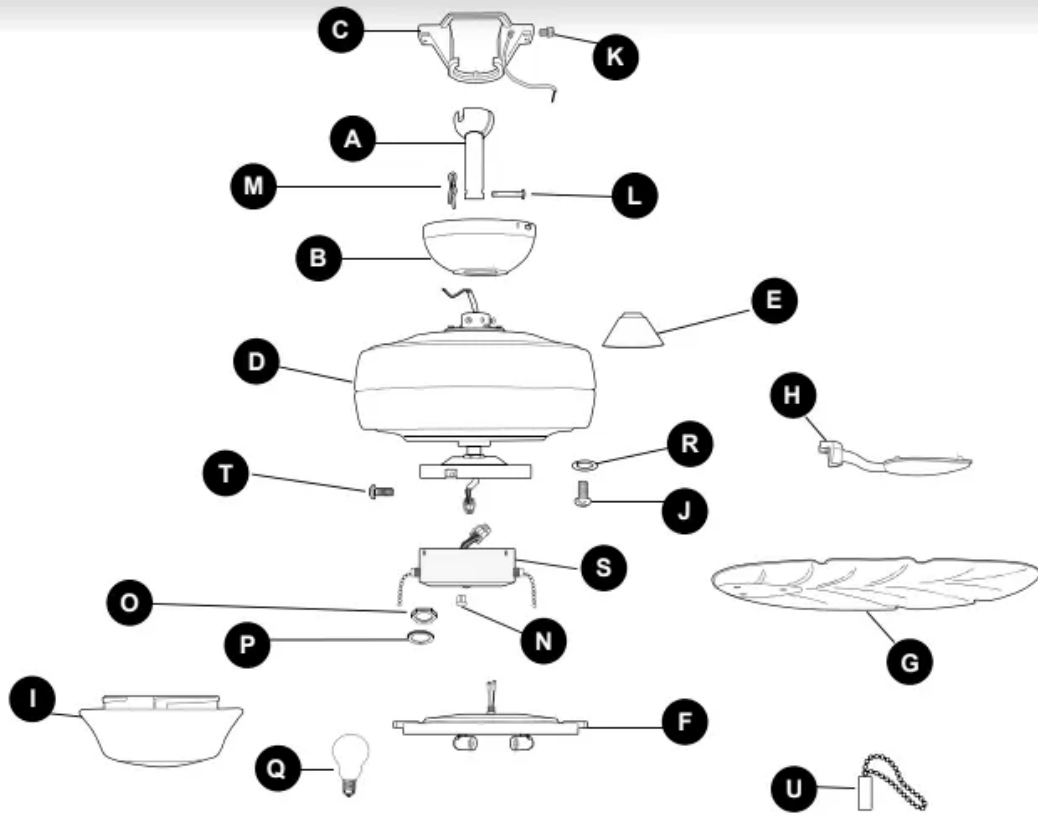


PACKAGE CONTENTS

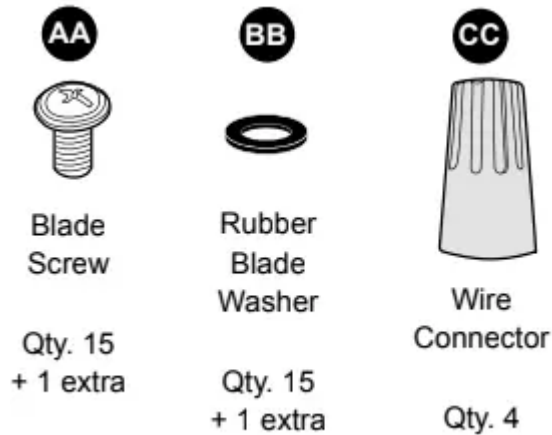


PART	DESCRIPTION	QUANTITY
A	Downrod	1
B	Canopy	1
C	Mounting Bracket (preassembled)	1
D	Motor Housing	1
E	Yoke Cover	1
F	Light Kit Fitter	1
G	Blade	5
H	Blade Arm	5
I	Glass Shade	1
J	Motor Screw (preassembled)	10
K	Canopy Mounting Screw (preassembled)	4

PART	DESCRIPTION	QUANTITY
L	Pin (preassembled)	1
M	Clip (preassembled)	1
N	Cap (preassembled)	1
O	Hex Nut (preassembled)	1
P	Lock Washer (preassembled)	1
Q	Bulb	2
R	Motor Washer (preassembled)	10
S	Switch Housing	1
T	Switch Housing Screw (preassembled)	3
U	Pull Chain Extension	2

IMPORTANT REMINDER: You must use the parts provided with this fan for proper installation and safety.

HARDWARE CONTENTS (shown actual size)



PREPARATION

Before beginning assembly of product, make sure all parts are present. Place motor on carpet or on foam to avoid damage to finish. Compare parts with package contents list and hardware contents list.

If any part is missing or damaged, do not attempt to assemble the product.

Estimated Assembly Time: 120 minutes

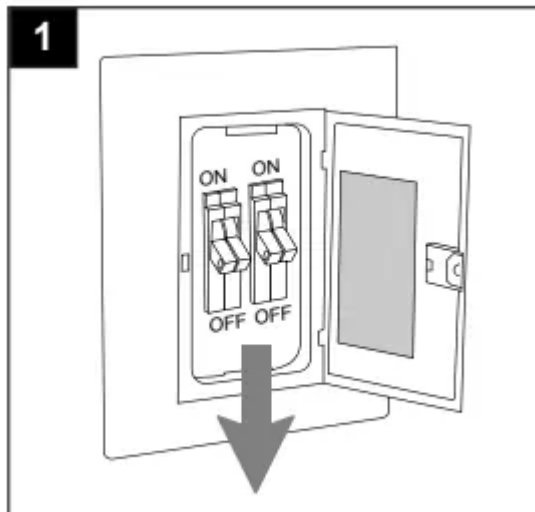
Tools Required for Assembly (not included): Electrical Tape, Phillips Screwdriver, Pliers, Safety Glasses, Stepladder and Wire Strippers

Helpful Tools (not included): AC Tester Light, Tape Measure, Do-It-Yourself Wiring Handbook and Wire Cutters

INITIAL INSTALLATION

1. Turn off circuit breakers and wall switch to the fan supply line leads

DANGER: Failure to disconnect power supply prior to installation may result in serious injury or death.



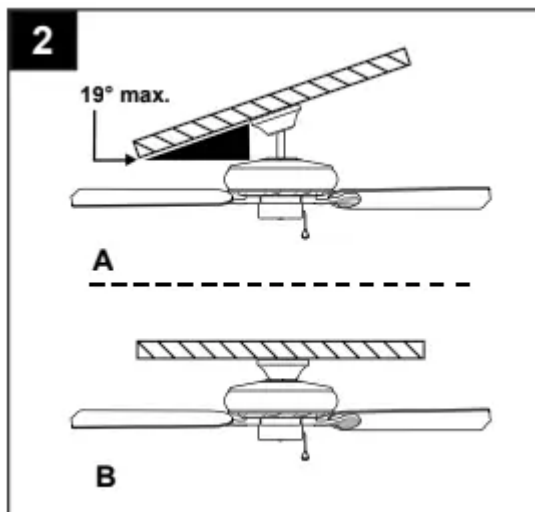
2. Determine mounting method to use.

A. Downrod mount (standard or angled ceiling)

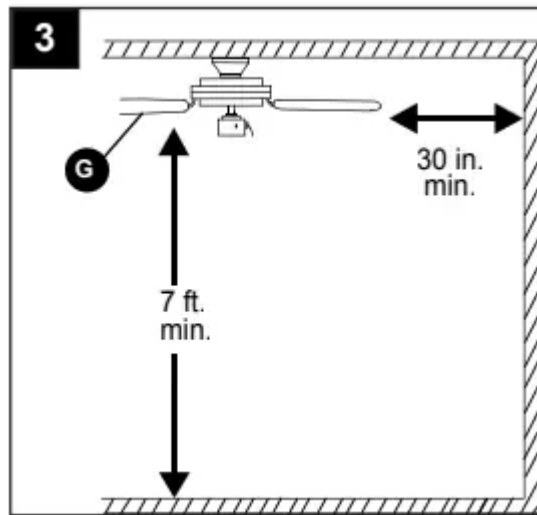
B. Closemount (standard ceiling only)

IMPORTANT: If using the angle mount, check to make sure the ceiling angle is not steeper than 19°.

Helpful Hint: Downrod-style mounting is best suited for ceilings 8 ft. or higher. For taller ceilings you may want to use a longer downrod (not included). Angle-style mounting is best suited for angled or vaulted ceilings. A longer downrod is sometimes necessary to ensure proper blade clearance. Closemount mounting is more suitable for ceilings lower than 8 ft. high.

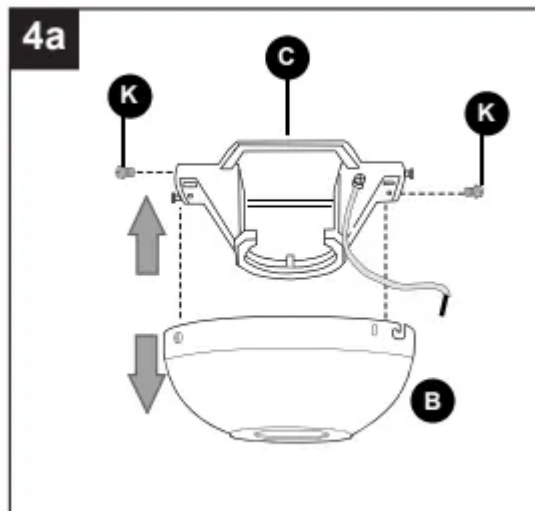


3. Check to make sure blades (G) will be at least 30 in. from any obstruction and at least 7 ft. above the floor.



4a. Loosen canopy mounting screws (K) in slotted holes of canopy (B) and remove the other two canopy mounting screws (K); save for later use.

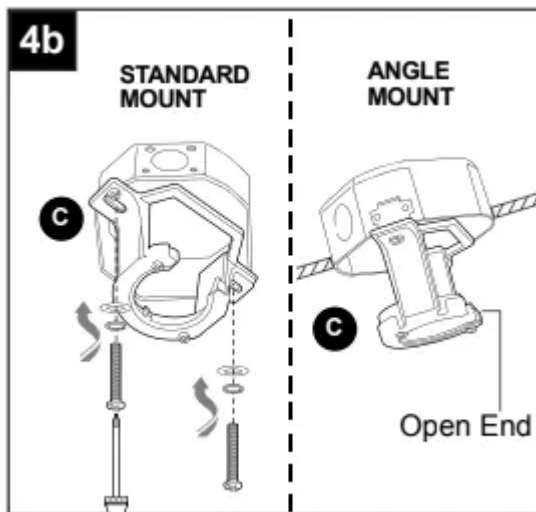
Remove mounting bracket (C) from canopy (B).



4b. Secure mounting bracket (C) to outlet box (not included) using screws, spring washers and flat washers provided with the outlet box.

NOTE: It is very important you use the proper hardware when installing the mounting bracket (C) as this will support the fan.

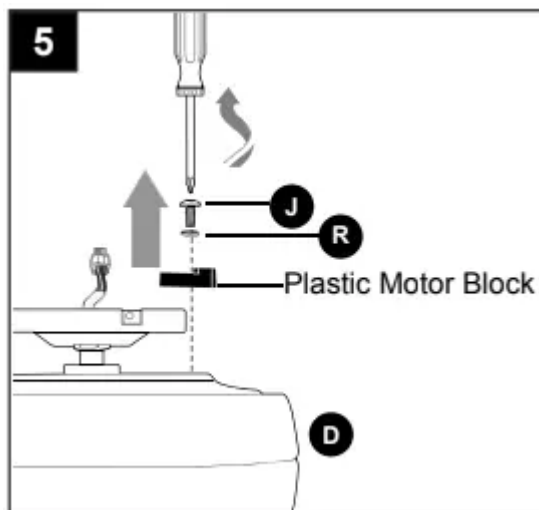
IMPORTANT: If using the angle mount, make sure open end of mounting bracket (C) is installed facing the higher point of the ceiling, and ensure the ceiling angle is not steeper than 19°.



5. Remove motor screws (J) and motor washers (R) from underside of motor housing (D). [If there are plastic motor blocks installed with the motor screws (J) and motor washers (R), discard the plastic motor blocks.]

For DOWNROD-STYLE FAN MOUNTING, proceed to step 1 below.

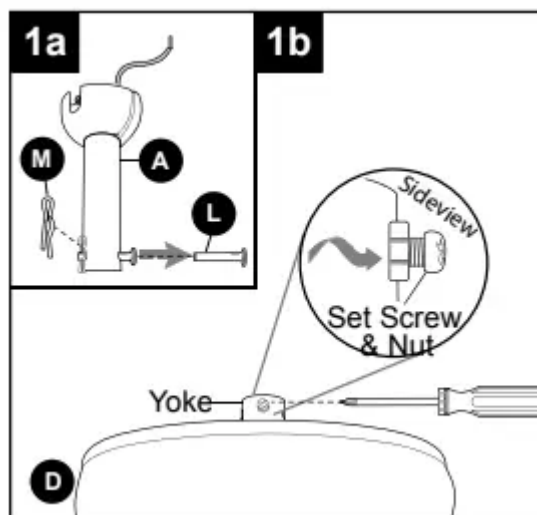
For CLOSEMOUNT-STYLE FAN MOUNTING, skip to page 9.



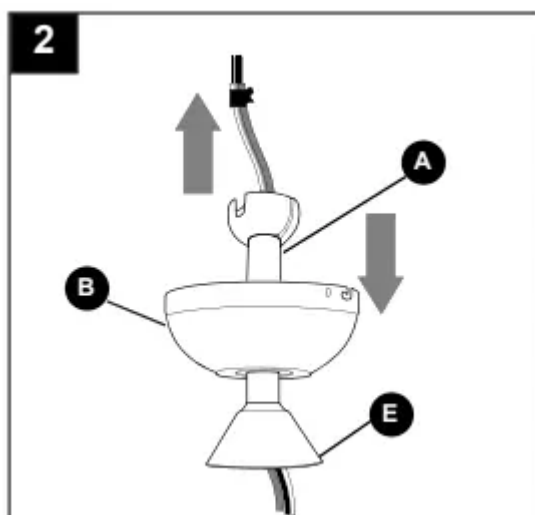
DOWNROD-STYLE FAN MOUNTING

1a. Remove pin (L) and clip (M) from downrod (A).

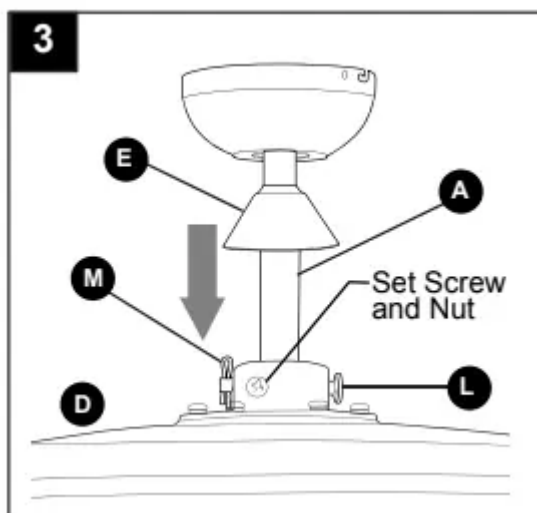
1b. Partially loosen preassembled set screws and nuts in yoke at top of motor housing (D).



2. Insert downrod (A) through canopy (B), and yoke cover (E). Thread wires from motor housing (D) up through downrod (A).



3. Slip downrod (A) into yoke, align holes and re-install pin (L) and clip (M). Tighten downrod (A) set screws and then tighten nuts. Slide yoke cover (E) down until it rests on top of motor housing (D).

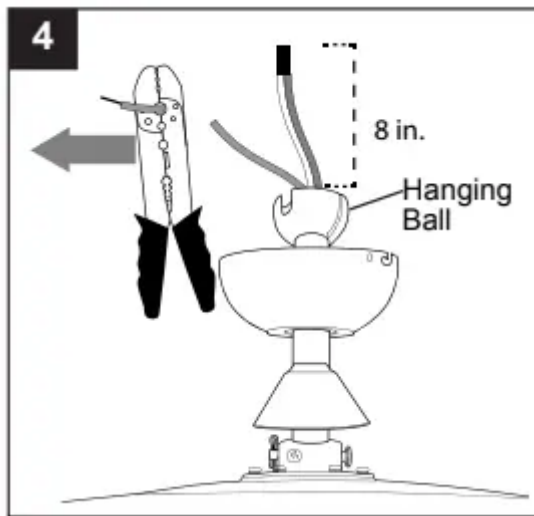


4. Depending on the length of downrod you use, you may need to cut the lead wires back to simplify the wiring. If you decide to cut back the lead wires, it is suggested you do so in the following manner:

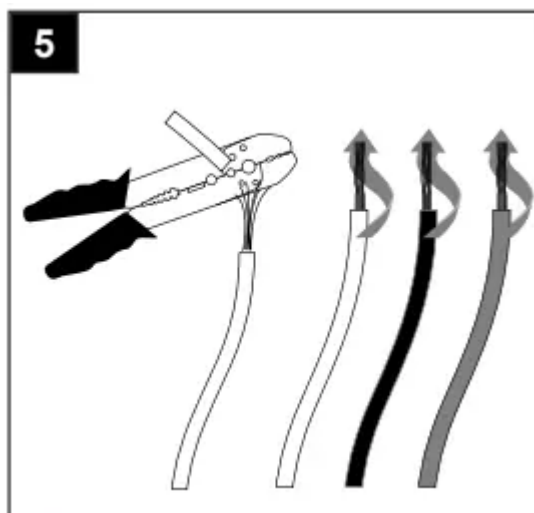
Take the lead wires and make sure you have pulled them all the way through the top of the downrod.

Start at the TOP of the hanging ball on the downrod and measure 8 in. of lead wire, and then cut the excess wire off with wire cutters (not included).

NOTE: If you do not cut back the lead wires, Steps 4 and 5 are not necessary and you may proceed to Step 6 instead.



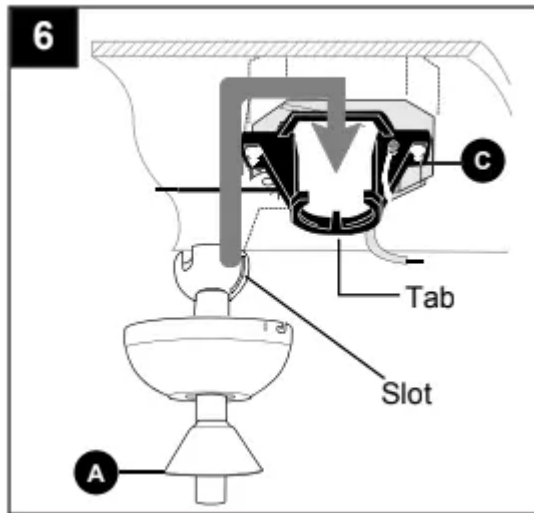
5. If you cut back the lead wires in Step 4, strip 1/2 in. of insulation from end of of each wire -- white, black, green and blue (if applicable). Twist stripped ends of each strand of wire within the insulation with pliers (not included).



6. Install hanging ball of downrod (A) into opening of mounting bracket (C). Align the slot in hanging ball with the tab in mounting bracket (C).

DANGER: Failure to align slot in hanging ball with the tab in mounting bracket (C) may result in serious injury or death.

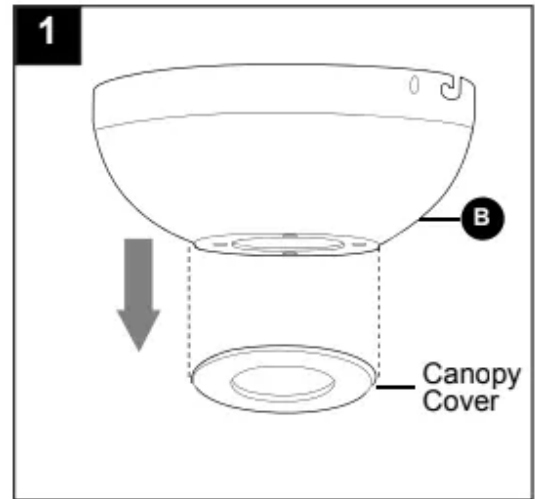
Continue to WIRING on page 11.



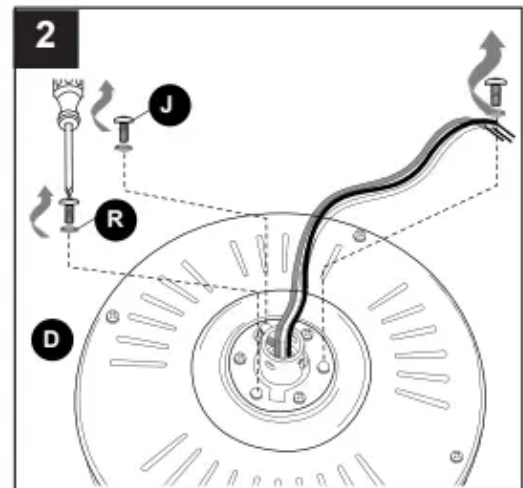
CLOSEMOUNT-STYLE FAN MOUNTING.

1. Remove preassembled canopy cover from bottom of canopy (B). [NOTE: It may be necessary to use the handle end of a screwdriver (not included) to remove the canopy cover by tapping on the canopy cover from the inside of the canopy (B).]

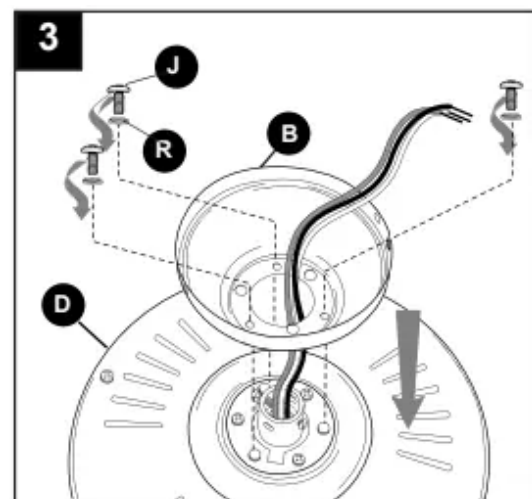
NOTE: The downrod (A), yoke cover (E) and canopy cover are not used in this type of installation



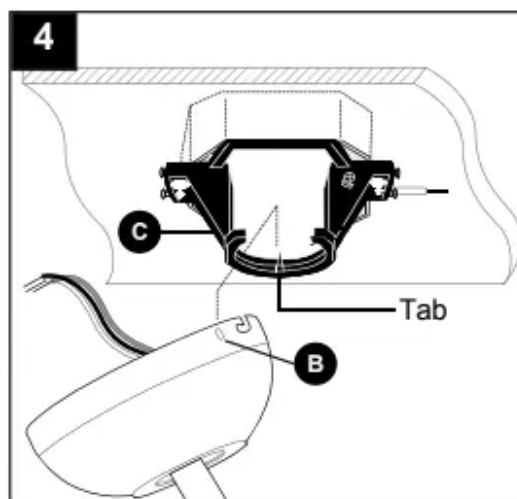
2. Remove every other motor screw (J) and motor washer (R) from top of motor housing (D).



3. Pull wires up through hole in the middle of the canopy (B) and attach canopy (B) to motor housing (D) using the three motor screws (J) and motor washers (R) previously removed.



4. Temporarily hang fan on the tab on the mounting bracket (C) using one of the non-slotted holes in the canopy (B).



WIRING

WARNING: To reduce the risk of fire, electrical shock or personal injury, wire connectors provided with this fan are designed to accept only one 12-gauge house wire and two lead wires from the fan. If your house wire is larger than 12-gauge or there is more than one house wire to connect to the corresponding fan lead wires, consult an electrician for the proper size wire connectors to use.

CAUTION: Be sure outlet box is properly grounded and that a ground (green or bare) wire is present.

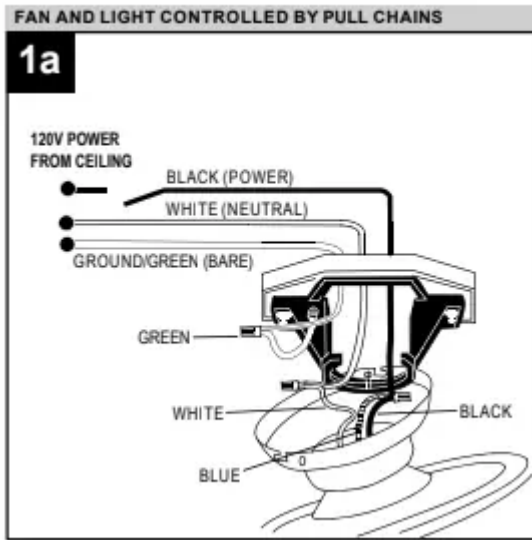
WARNING: If house wires are different colors than referred to in the following steps, stop immediately. A professional electrician is recommended to determine wiring.

WARNING: Using a full range dimmer switch (not included) to control fan speed will cause a loud humming noise from fan. To reduce the risk of fire or electrical shock, do NOT use a full range dimmer switch to control fan speed.

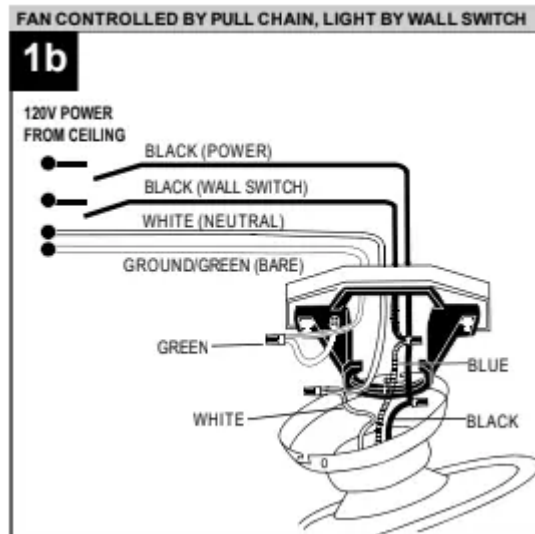
NOTE: This fan is remote control adaptable (remote control sold separately). Any remote control used with this fan MUST be UL-approved for DAMP LOCATIONS.

1. Choose wiring diagram (Fig. 1a, Fig. 1b or Fig. 1c) that fits your situation and make appropriate wiring connections as follows: [IMPORTANT: Use one of the wire connectors (CC) to make each wire connection, making sure to screw wire connector (CC) on in a clockwise direction.]

1a. FAN AND LIGHT CONTROLLED BY PULL CHAINS: Connect BLACK and BLUE wire from fan to BLACK wire from ceiling. Connect WHITE wire from fan to WHITE wire from ceiling. Connect GREEN wire from fan (on downrod (A) and mounting bracket (C)) to BARE/GREEN wire from ceiling.

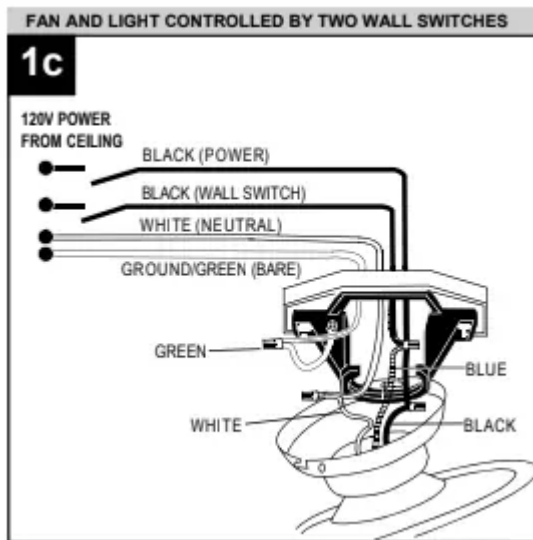


1b. FAN CONTROLLED BY PULL CHAIN, LIGHT BY WALL SWITCH: Connect BLACK wire from fan to BLACK wire from ceiling. Connect BLUE wire from fan to the BLACK wire from the independent wall switch for the light. Connect WHITE wire from fan to WHITE wire from ceiling. Connect GROUND (GREEN) wires from fan (on downrod (A), if applicable, and mounting bracket (C)) to BARE/GREEN wire from ceiling.



1c. FAN AND LIGHT CONTROLLED BY TWO WALL SWITCHES: Connect BLACK wire from fan to BLACK wire from the independent wall switch for the fan. Connect BLUE wire from fan to the BLACK wire from the other independent wall switch for the light. Connect WHITE wire from fan to WHITE wire from ceiling. Connect GROUND (GREEN) wires from fan (on downrod (A), if applicable, and mounting bracket (C)) to BARE/GREEN wire from ceiling.

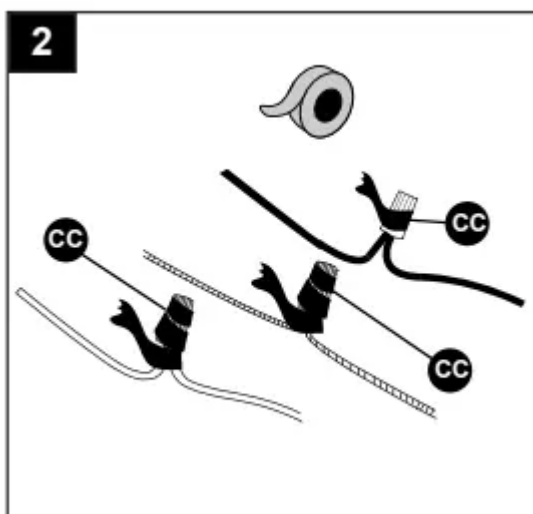
NOTE: BLACK wire is hot power for fan. BLUE wire is hot power for light kit. WHITE wire is common for fan and light kit. GREEN or BARE wire is ground.



2. Wrap electrical tape (not included) around each individual wire connector (CC) down to the wire.

WARNING: Make sure no bare wire or wire strands are visible after making connections. Place GREEN and WHITE wire connections on the opposite side of the outlet box from the BLACK and BLUE wire connections.

Turn spliced/taped wires upward and gently push wires and wire connectors (CC) into outlet box.



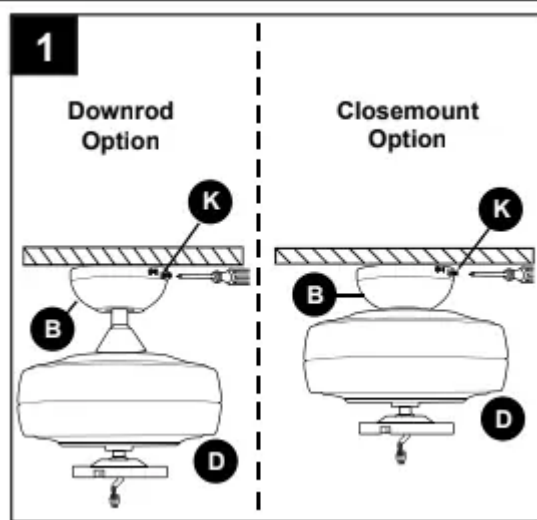
FINAL INSTALLATION

1. Lift canopy (B) to mounting bracket (C) again, aligning slotted holes in canopy (B) with loosened canopy mounting screws (K) in mounting bracket (C). Twist canopy (B) clockwise to lock. Re-insert the two canopy mounting screws (K) previously removed (Step 4a, page 6) and tighten all canopy mounting screws (K) securely.

Hardware Used

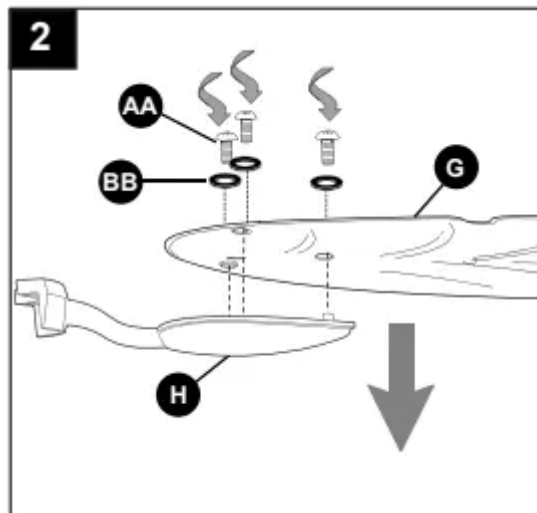
CC

Wire Connector



2. Partially insert three blade screws (AA) along with three rubber blade washers (BB) into holes in blade (G). NOTE: Make sure to attach blade (G) with the flat side of the blade (G) facing up -- note label indicating THIS SIDE UP. Align pegs on blade arm (H) with blade screws (AA), securing blade arm (H) to blade (G) by tightening blade screws (AA) starting with the one in the middle.

Repeat for remaining blades (G) and blade arms (H).

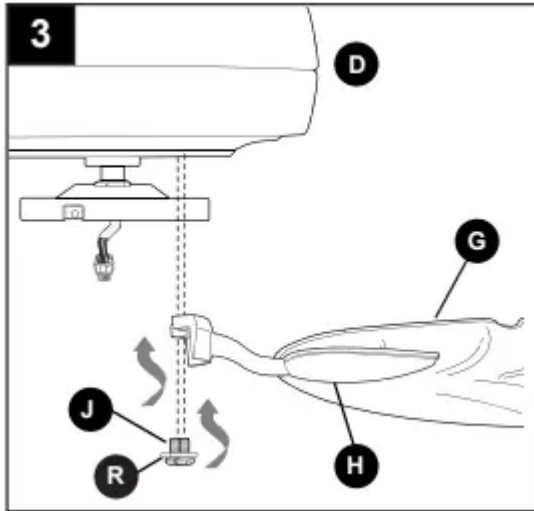


3. Attach blade arms (H) to the bottom of motor housing (D) with motor screws (J) and motor washers (R) previously removed (Step 5, page 7). Tighten motor screws (J) securely.

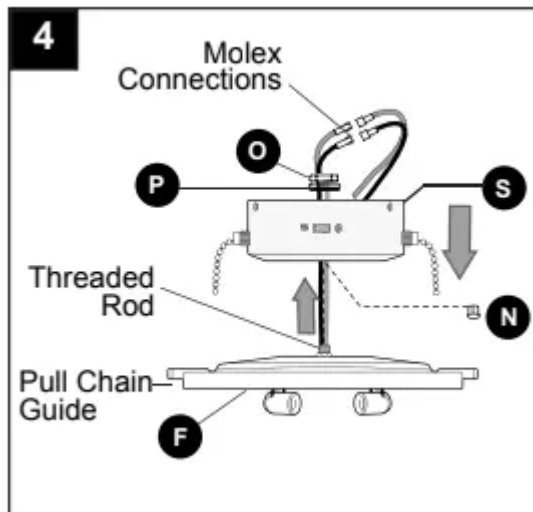
Note: Make sure to completely secure each blade arm (H) before proceeding to the next.

If you do NOT wish to use the light kit, skip to INSTALLING FAN WITHOUT LIGHT KIT on page

If you **DO** wish to use the light kit, proceed to Step 4.

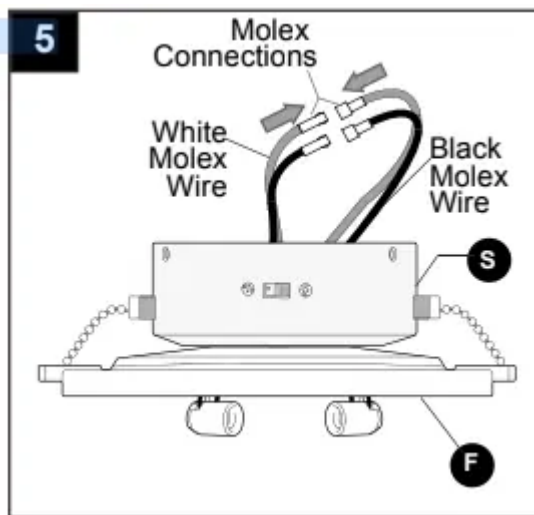


4. To install the fan with the light kit, remove preassembled hex nut (O) and lock washer (P) from threaded rod at top of light kit fitter (F). Punch center cap (N) out of switch housing (S) with a screwdriver (not included). Gently feed molex wires (one at a time) from light kit fitter (F) through hole in middle of switch housing (S), and then screw switch housing (S) onto threaded rod on light kit fitter (F) -- ensure to align holes on pull chain guides with pull chains on switch housing (S). Tighten hex nut (O) over lock washer (P) for a secure fit.

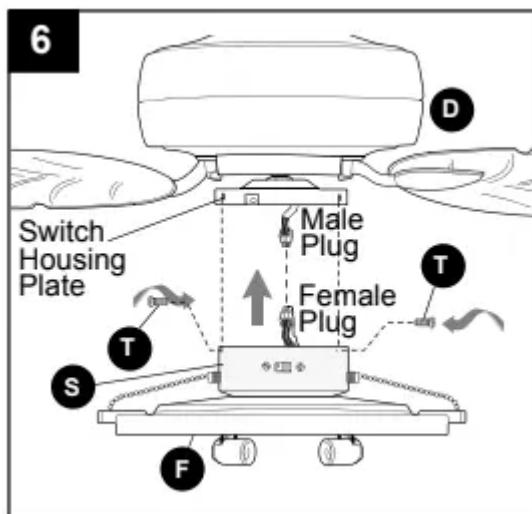


5. Connect WHITE molex wire from light kit fitter (F) to 5 WHITE molex wire from switch housing (S). Connect BLACK molex wire from light kit fitter (F) to BLUE (or BLACK) molex wire from switch housing (S). Make sure molex wire connections snap together securely.



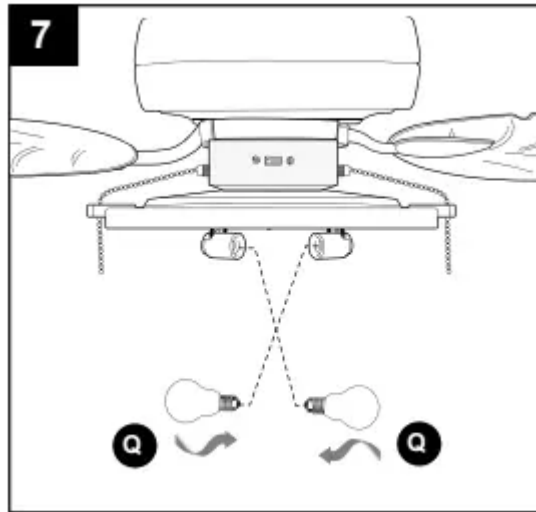


6. Remove the three preassembled switch housing screws (T) from preassembled switch housing plate on motor housing (D). Connect male plug from motor housing (D) to female plug from switch housing (S), matching up the colors on the male plug with the colors on the female plug for correct fit. Make sure plugs are connected completely. Align holes in switch housing (S) with holes in switch housing plate, and secure switch housing (S) with three switch housing screws (T) previously removed. Tighten all screws securely.



7. Install bulbs (Q).

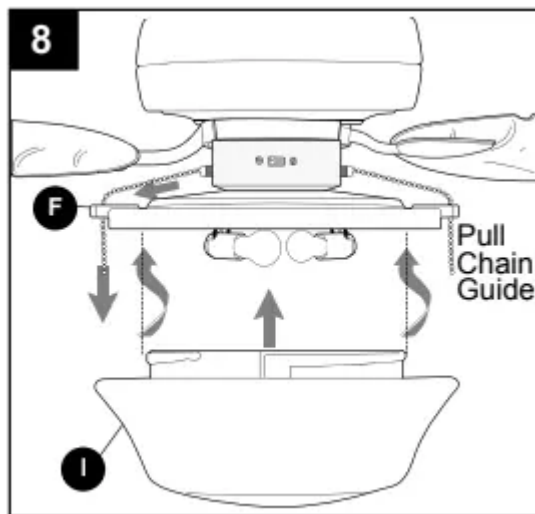
WARNING: When replacing bulb(s), allow bulb(s) and glass shade to cool down before touching.



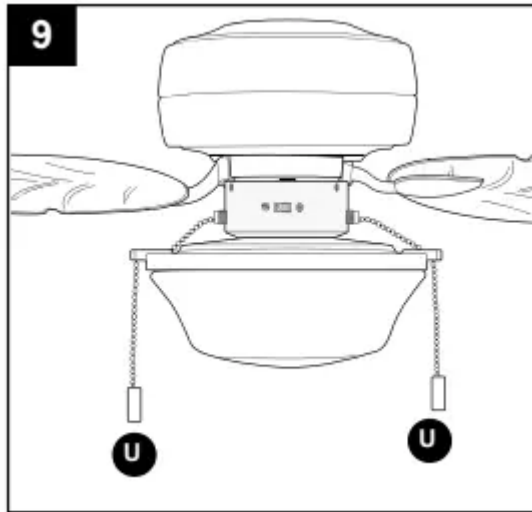
8. Thread preassembled fan and light pull chains through corresponding pull chain guides on the outer rim of the light kit fitter (F).

Align slots on glass shade (I) with protrusions on the inside of the light kit fitter (F). Turn glass shade (I) clockwise until it no longer turns.

NOTE: Pull down gently on the glass shade (I) to make sure it is secured completely.

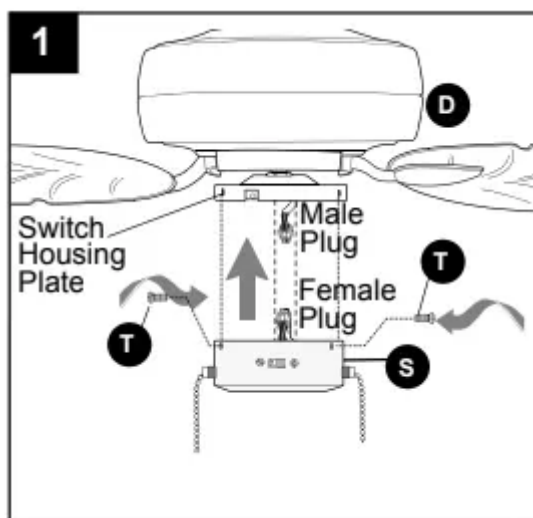


9. Attach pull chain extensions (U) or custom pull chain extensions (not included) to fan and light pull chains.

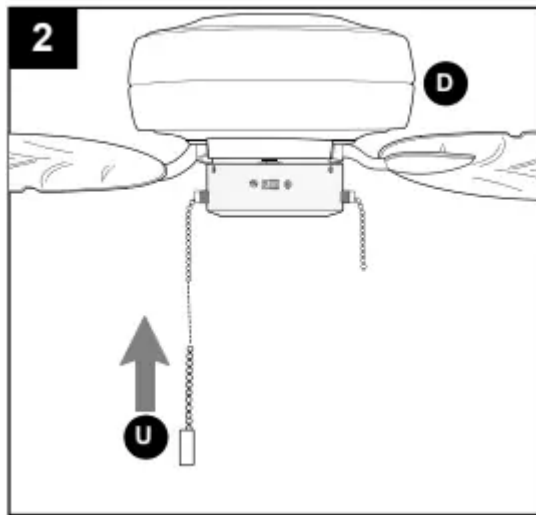


INSTALLING FAN WITHOUT LIGHT KIT

1. **If you do NOT wish to use the light kit**, remove the three preassembled switch housing screws (T) from preassembled switch housing plate on motor housing (D). Connect male plug from motor housing (D) to female plug from switch housing (S), matching up the colors on the male plug with the colors on the female plug for correct fit. Make sure plugs are connected completely. Align holes in switch housing (S) with holes in switch housing plate. Re-insert switch housing plate screws (T) just removed and use a Phillips screwdriver to secure switch housing (S) to switch housing plate. Tighten all screws securely.

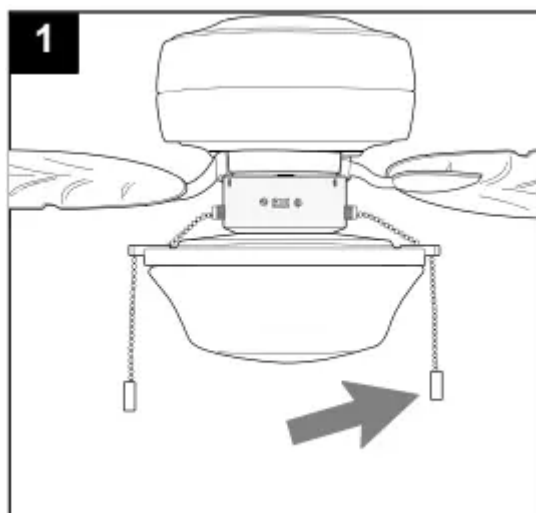


2. Attach necessary pull chain extension (U) or custom pull chain extension (not included) to corresponding pull chain for fan.

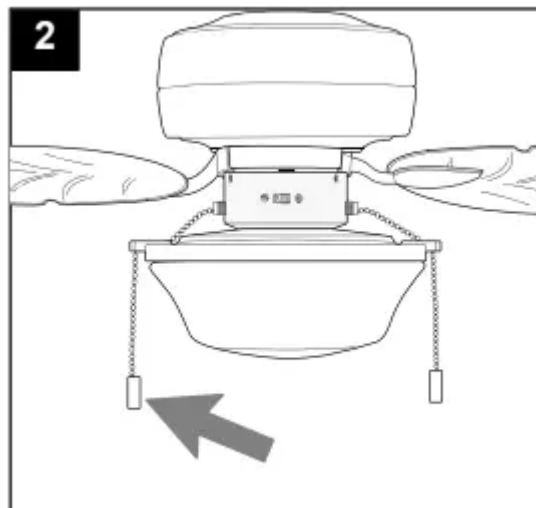


OPERATING INSTRUCTIONS

1. The fan pull chain has four positions to control fan speed. One pull is HIGH, two is MEDIUM, three is LOW and four turns the fan OFF.



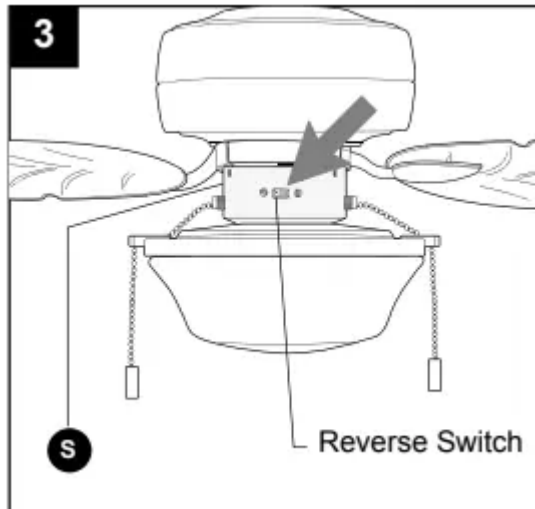
2. If applicable, the light pull chain is used to turn the light ON or OFF.



3. Use the fan reverse switch on the switch housing (S) to optimize your fan for seasonal performance. A ceiling fan will allow you to raise your thermostat setting in summer and lower your thermostat setting in winter without feeling a difference in your comfort.

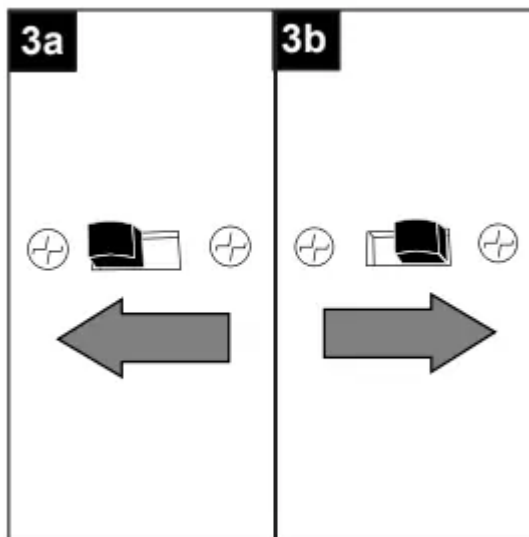
NOTE: Wait for fan to stop before moving the reverse switch.

WARNING: Do NOT remove weatherproof cover on the reverse switch.

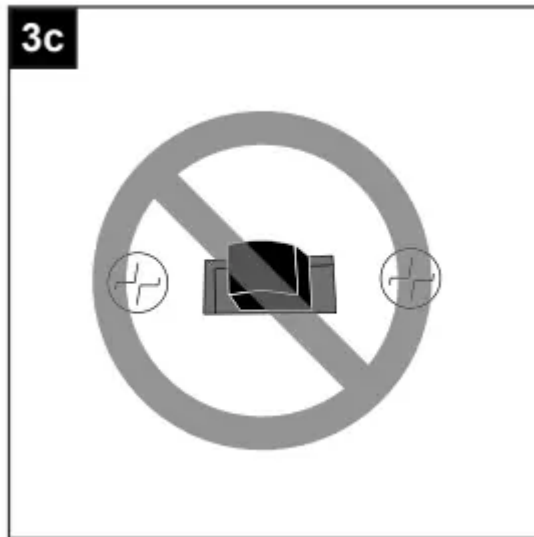


3a. In warmer weather, setting the reverse switch in the LEFT position will result in downward airflow creating a wind chill effect.

3b. In cooler weather, setting the reverse switch in the RIGHT position will result in upward airflow that can help move stagnant, hot air off the ceiling area.



3c. **IMPORTANT:** Reverse switch must be set either completely LEFT or completely RIGHT for fan to function. If the reverse switch is set in the middle position, fan will not operate.



CARE AND MAINTENANCE

At least twice each year, lower canopy (B) to check downrod (A) assembly, and then tighten all screws on fan. Clean motor housing (D) with only a soft brush or lint-free cloth to avoid scratching the finish. Clean blades (G) with a lint-free cloth. You may occasionally apply a light coat of furniture polish to wood blades for added protection.

IMPORTANT: Shut off main power supply before beginning any maintenance. Do not use water or a damp cloth to clean the ceiling fan.

Bulb Replacement: Use standard-base 6.5-watt LED bulbs or incandescent/CFL equivalent, up to 60 watts.

TROUBLESHOOTING

WARNING: Before beginning work, shut off the power supply to avoid electrical shock.

Fan does not move.

1. Reverse switch not engaged.
 - Push switch firmly either left or right.
2. Power is off or fuse is blown.
 - Turn power on or check fuse.
3. Faulty wire connection.
 - Turn power off. Loosen canopy and check all connections.
4. Plugs not connected properly.
 - Check that male and female plugs in switch housing are connected properly according to instructions on page 14.

Noisy operation.

1. Blades are loose.
 - Tighten all blade screws.
2. Cracked blade.
 - Replace blade.
3. Full range dimmer switch.
 - Replace with an approved speed control device.
4. Fan is new.
 - Allow fan a “break in” period of a few days, especially when running the fan at Medium and High speeds.

Excessive wobbling.

1. Blades are loose.
 - Tighten all blade screws.
2. Blade arms incorrectly attached.
 - Re-install blade arms.
3. Unbalanced blades.
 - Switch one blade with a blade from the opposite side.
4. Fan not securely mounted.
 - Turn power off. Carefully loosen canopy and verify that mounting bracket is secure.
5. Fan too close to vaulted ceiling.
 - Use a longer downrod or move fan to another location.
6. Set screw(s) on motor housing yoke is (are) not tightened properly.
 - Tighten yoke set screw(s) securely.
7. Set screw on hanging ball is not tightened properly.
 - Carefully loosen and lower canopy and verify that set screw on hanging ball is tightened securely.

Fan operates but light fails (if applicable).

1. Bulb(s) not installed correctly.
 - Re-install bulb(s).

2. Wires in canopy not wired properly.

- Check wires in canopy and, if necessary, re-wire according to instructions on pages 11 and 12.

3. Wall switch to fan is off.

- Make sure that wall switch to fan is on.

4. Wires in light kit fitter not wired correctly.

- Check that molex connections in light kit fitter are connected properly according to instructions on page 14.

NOTE: A small amount of "wobble" is normal and should not be considered a defect.

Warning

This content is compiled from multiple sources and is provided for reference purposes only. It may not be complete or fully applicable to all situations. If you are unable to resolve your issue, please contact the product manufacturer or an authorized service provider for official support.