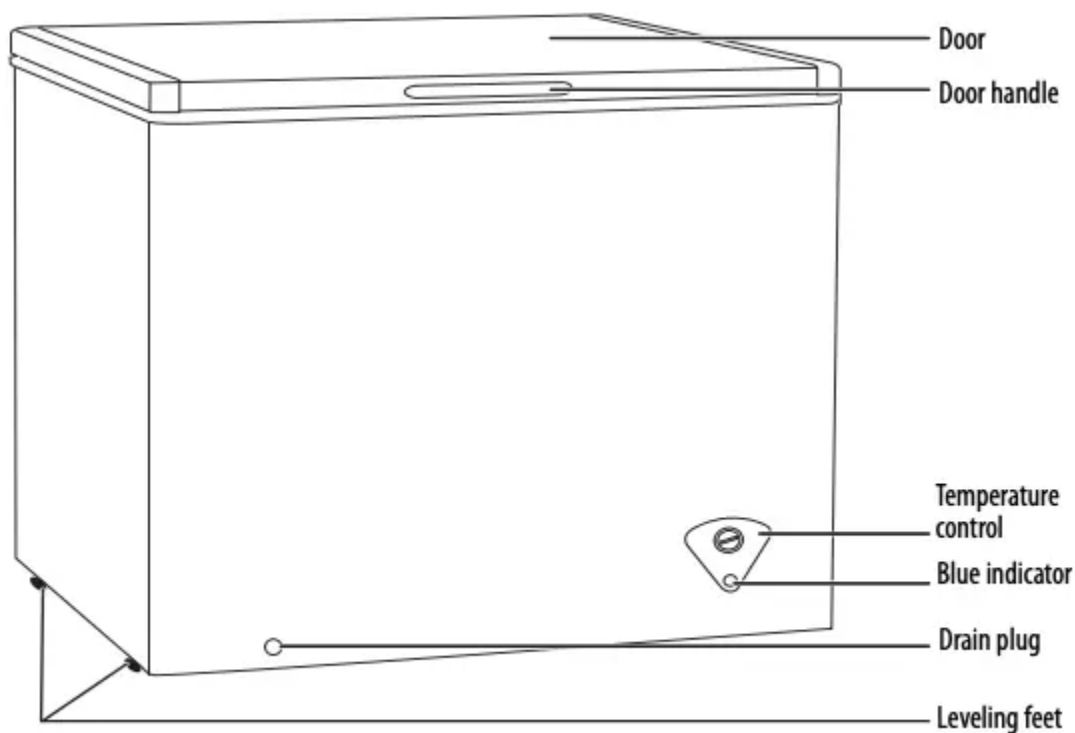


Features

Exterior (NS-CZ70WH6 shown)



Setting up your freezer

Before using your freezer

- Remove the exterior and interior packing.
- Let the freezer stand upright for approximately two hours before connecting it to power. This reduces the possibility of a malfunction in the cooling system from improper handling during transportation.
- Wash the inside with a damp, warm cloth and a baking soda solution (two tablespoons in a quart of water), then wipe dry with a dry cloth. Do this periodically to keep your freezer looking new.

Finding a suitable location

- This freezer is designed to be free standing only, and should not be recessed or built-in.
- Place your freezer on a floor that is strong enough to support the freezer when it is fully loaded.

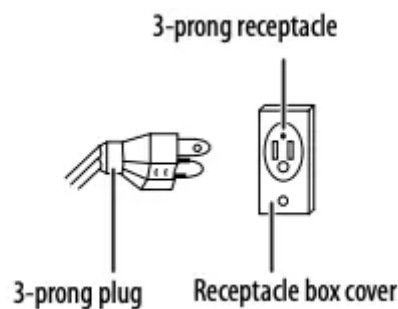
- Allow six inches (15 cm) of space between the back and sides of the freezer and any surrounding walls to allow for proper air ventilation. Adjust the feet to keep the freezer level.
- Locate the freezer away from direct sunlight and sources of heat, such as a stove, heater, or radiator. Direct sunlight may affect the acrylic coating and heat sources may increase electrical consumption. Extremely cold temperatures may also prevent the freezer from performing properly.
- Avoid locating the freezer in moist areas.

Providing a proper power supply

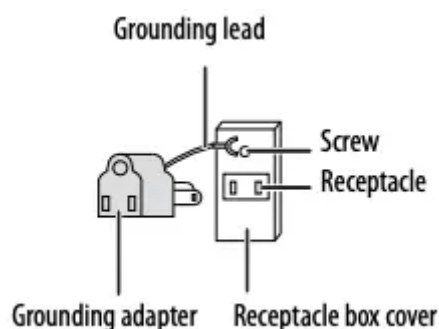
Check your local power source. This freezer requires a 115V, 60Hz power supply.

Use a receptacle that accepts the grounding prong. The power cord is equipped with a 3-prong (grounding) plug which mates with a standard prong (grounding) wall outlet to minimize the possibility of electric shock hazard from this freezer.

Using a 3-prong plug and outlet



Using a grounding adapter



Notes

- The freezer should always be plugged into its own individual electrical outlet which has a voltage rating that matches the rating plate.
- Never unplug your freezer by pulling on the power cord. Always grip the plug firmly and pull straight out from the outlet.

Using your freezer

The storage life of frozen foods varies and the recommended storage time should not be exceeded.

Place frozen food into the freezer as quickly as possible after purchase. If there are instructions on the packet, carefully follow these instructions regarding storage times.

Pre-packed commercially frozen food should be stored in accordance with the frozen foods manufacturer's instructions for a three star frozen food storage compartment or home freezer.

A storage basket is provided for the organization of odd-shaped items. To reach other packages in the freezer, just slide the basket to one side, or lift it out.

1. The first time you turn the freezer on, adjust the temperature control to the setting you want and run for two to three hours before putting food in.
2. After it is fully cooled, adjust the temperature control to the setting that best suits your needs. Settings include MIN, MAX, and OFF.

Notes

- Turning the temperature control to OFF stops the cooling cycle but does not shut off the power to the freezer.
- If the freezer is unplugged, loses power, or is turned off, you must wait three to five minutes before restarting it. The freezer will not start if you attempt to restart it sooner.
- Large amounts of food lower the cooling efficiency of the freezer.
- If you choose to change the thermostat setting, adjust the thermostat control by one increment at a time. Allow several hours for the temperature to stabilize between adjustments.

Defrosting your freezer

For your freezer to operate most efficiently and with minimum energy consumption, it should be defrosted when the frost on the freezer walls is in excess of .2 to .4 inches (5 to 10 mm) thick. To minimize food spoilage, choose a time when your stock of frozen food is low.

The instructions regarding the care of frozen foods should be followed when defrosting the freezer. Defrosting usually takes a few hours. Leaving the top open helps speed the process.

Cautions

- Do not use boiling water to defrost your freezer because it may damage the plastic parts. You can use warm water to speed up the process.

- Never use a sharp or metallic instrument to remove frost as it may damage the cooling coils and will void the warranty.
1. Remove the frozen food from your freezer and place it in a refrigerator or cooler to protect the food.
 2. Turn the thermostat knob to OFF and unplug the freezer.
 3. During defrosting the ice melts into the cabinet, so remove the drain plug on the inside of the freezer, then place a shallow pan under the drain outlet so the defrost water can drain into something. Check the pan occasionally so that the water does not overflow.
 4. When your freezer has defrosted, clean the interior of the freezer, then replace the drain plug.
 5. Reset the thermostat to desired setting, then allow the freezer to cool for one hour.
 6. Return the food to the freezer.

Maintaining your freezer

Your freezer is designed for year-round use with only minimal cleaning and maintenance. We recommend that you do the following every time you defrost it to keep your freezer running odor free and efficiently:

Caution

To prevent damage to the finish, do not use:

- Gasoline, benzine, thinner, or other similar solvents.
 - Abrasive cleaners.
1. Turn off the freezer and unplug it from the wall outlet.
 2. Remove all food.
 3. Wash the storage basket with a mild detergent solution.
 4. Wash the inside with a damp warm cloth soaked in a solution of one quart of water lukewarm water to two tablespoons of baking soda solution.
 5. Dry the interior and exterior with a soft cloth.
 6. Be sure to keep the door gasket (seal) clean to keep the unit running efficiently.

Storing your freezer

1. Turn off the freezer and unplug it from the wall outlet.
2. Remove all food.
3. Clean the freezer.
4. Leave the door open slightly to avoid possible formation of condensation, mold, or odor.

Caution Use extreme caution with children. The unit should not be accessible to child's play.

Moving your freezer

1. Turn off the freezer and unplug it from the wall outlet.
2. Remove all food.
3. Securely tape down all loose items inside your freezer.
4. Tape the door shut. Be sure the freezer stays in the upright position during transportation.

Tips on saving energy

- Locate your freezer in the coolest area of the room, away from heat producing appliances or heating ducts and out of the direct sunlight.
- Let hot foods cool to room temperature before placing them in the freezer. Overloading the freezer forces the compressor to run longer. Foods that freeze too slowly may lose quality or spoil.
- Wrap foods properly and wipe containers dry before placing them in the freezer. This cuts down on frost build-up inside the freezer.
- The freezer storage bin should not be lined with aluminum foil, wax paper, or paper toweling. Liners interfere with cold air circulation, making the freezer less efficient.
- Organize and label food to reduce door openings and extended searches. Remove as many items as needed at one time, and close the door as soon as possible.

Troubleshooting

Caution Do not try to repair your freezer yourself. Doing so invalidates the warranty.

Problem	Possible cause	Possible solution
The freezer does not operate	The freezer is unplugged.	Make sure that the freezer is plugged in and that the plug is pushed completely into the outlet.
	The thermostat is set to the "OFF" position.	Turn the thermostat knob to "MAX.
	The fuse on the circuit is blown or the circuit breaker is tripped.	Check the house fuse/circuit breaker box and replace the fuse or reset the circuit breaker.
	Power failure.	If a power failure occurs, the freezer turns off. Wait until the power is restored.
The freezer door does not close completely	Food packages are interfering with the door.	Move the food packages or remove some food.
	The storage basket is out of position.	Adjust the storage basket properly.
	The door gaskets are dirty.	Clean the door gaskets
	The freezer is not level.	Level the freezer with the leveling feet.
Food in the freezer is not cold	The door has been opened too often or was not closed properly.	Make sure that the door is closed properly
	You have just added a large amount of food to the freezer.	Allow time for the new food to cool, then check again.
	The door is not closed completely	Check the door gasket and food distribution and make sure that the door closes completely.
	The freezer has recently been disconnected for a period of time.	Allow time for the freezer to cool before adding food. Four hours are required for the freezer to cool down completely.
	The thermostat is set too warm.	Set the thermostat to a colder setting

The freezer makes unusual noises or vibrations	The freezer may not be level on the floor.	Level the freezer with the leveling feet.
	The body of the freezer is touching a wall.	Move the freezer out from the wall.
	Metal parts undergo expansion and contraction.	This is normal.
	Refrigerant is circulating throughout the system.	This is normal.
Moisture is building up in the interior of the freezer	The door has been opened too often or was not closed properly.	Make sure that the door is closed properly.
	The freezer is in a location that is very humid.	Move the freezer to a dryer location.
	The weather is hot and humid.	This is normal.
The compressor turns on and off frequently	The room temperature is hotter than normal.	This is normal.
	You have just added a large amount of food to the freezer.	Allow time for the new food to cool, then check again.
	The door is not closed completely or was opened too often	Check the door gasket and food distribution and make sure that the door closes completely
	The freezer has recently been disconnected for a period of time.	Allow time for the freezer to cool before adding food. Four hours are required for the freezer to cool down completely.
	The thermostat was not set correctly.	Set the thermostat to the correct setting.

Warning

This content is compiled from multiple sources and is provided for reference purposes only. It may not be complete or fully applicable to all situations. If you are unable to resolve your issue, please contact the product manufacturer or an authorized service provider for official support.

Document generated by [ManualsFile](#)

