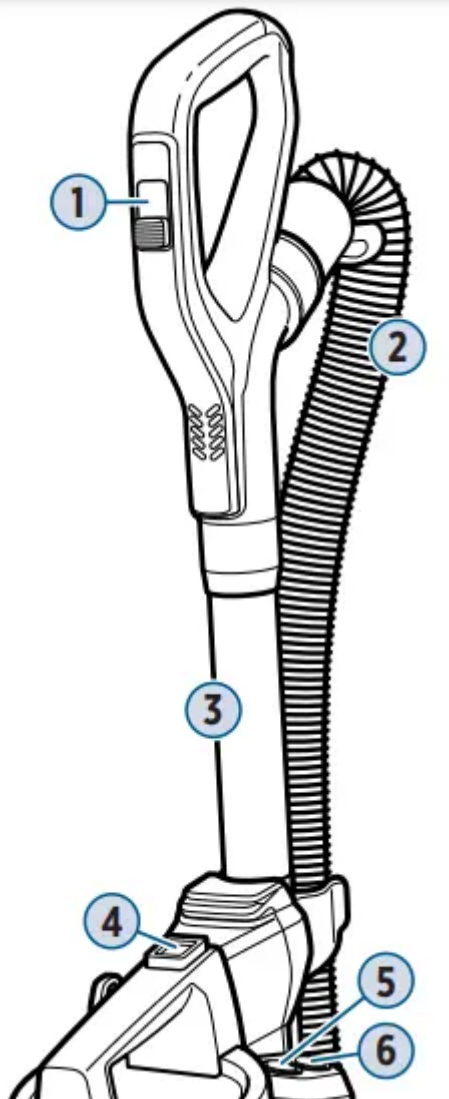
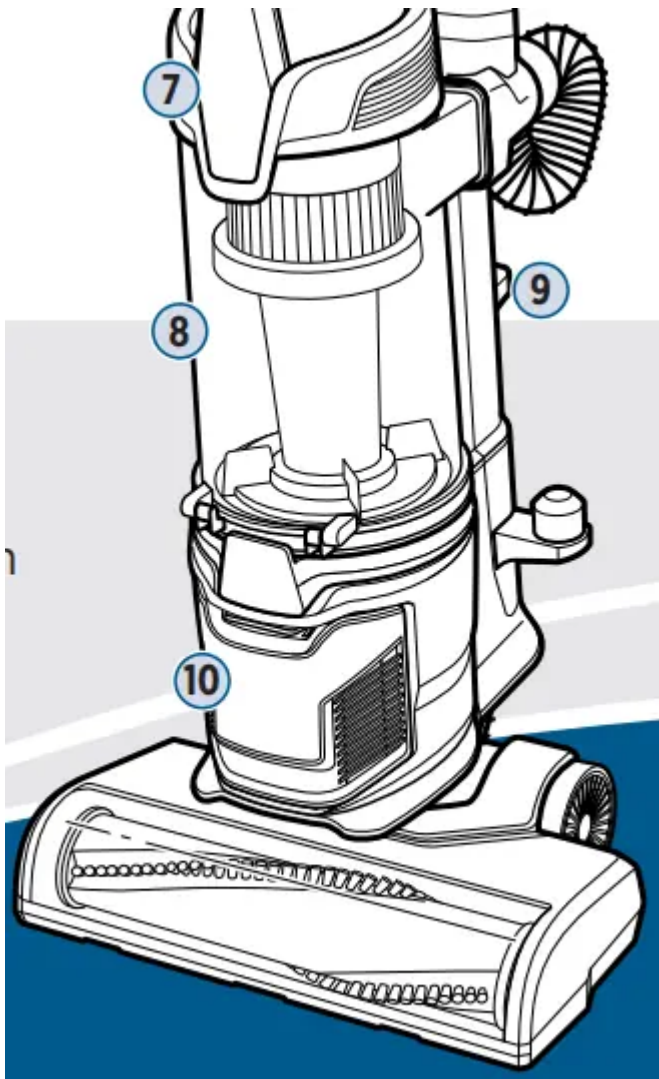


Product Overview





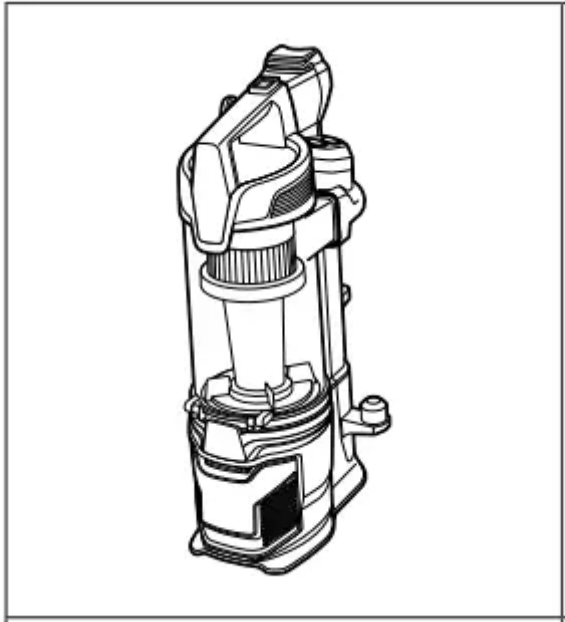
1. Carpet Type Control
2. Hose
3. Quick Release Extension Wand
4. Dirt Tank Release Button
5. Power Switch
6. Brush Roll Switch
7. Pre-Motor Filter
8. Dirt Tank
9. Lift-Off Release Button
10. Post-Motor



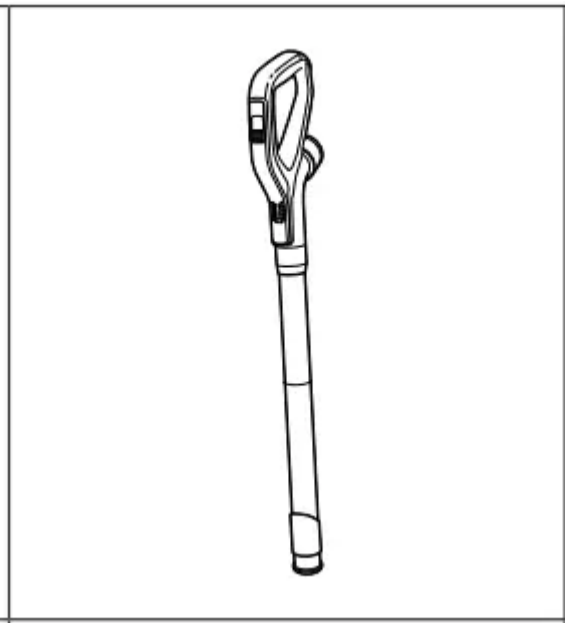
What's in the Box?

Standard accessories may vary by model. To identify what should be included with your purchase, please refer to the "Carton Contents" list located on the carton top flap.

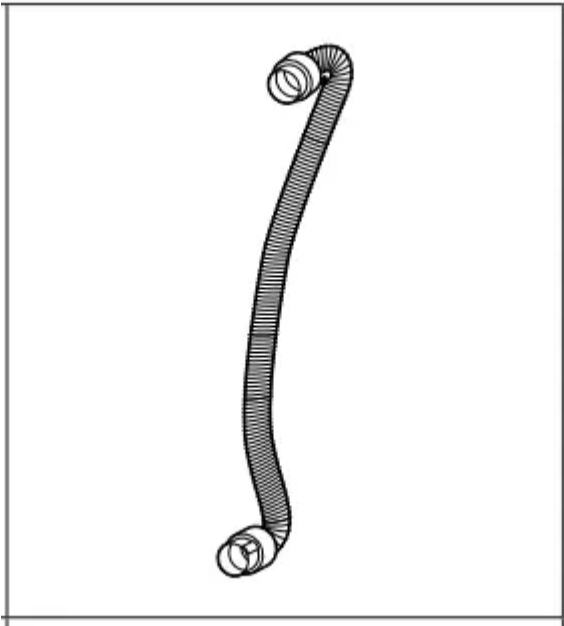
Lift-Off Pod



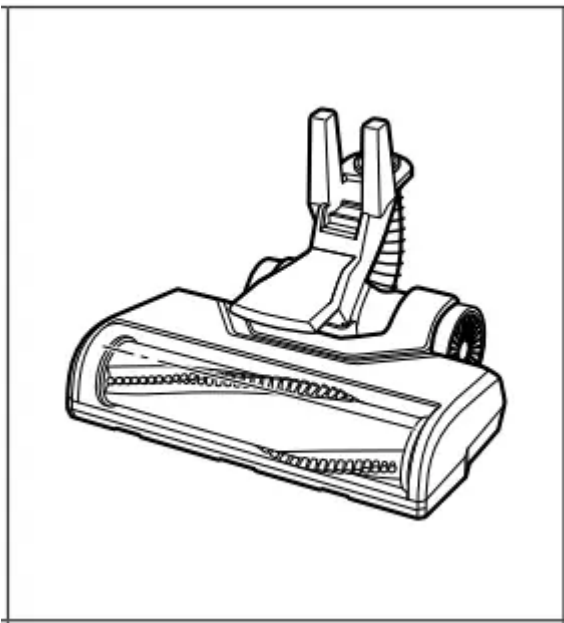
Handle



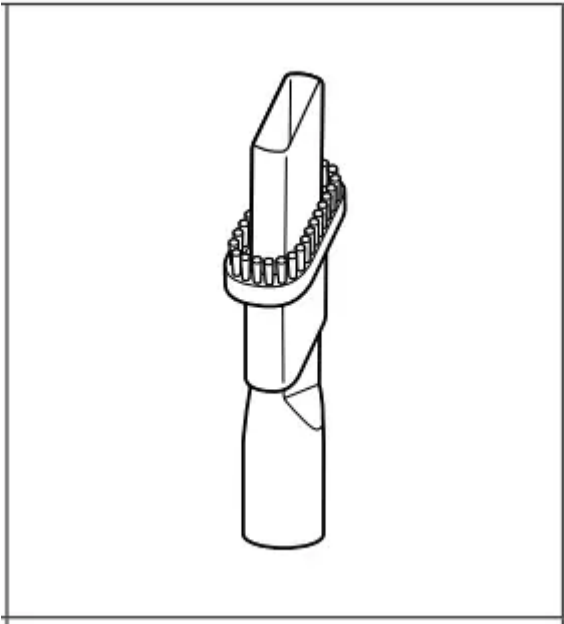
Stretch Hose



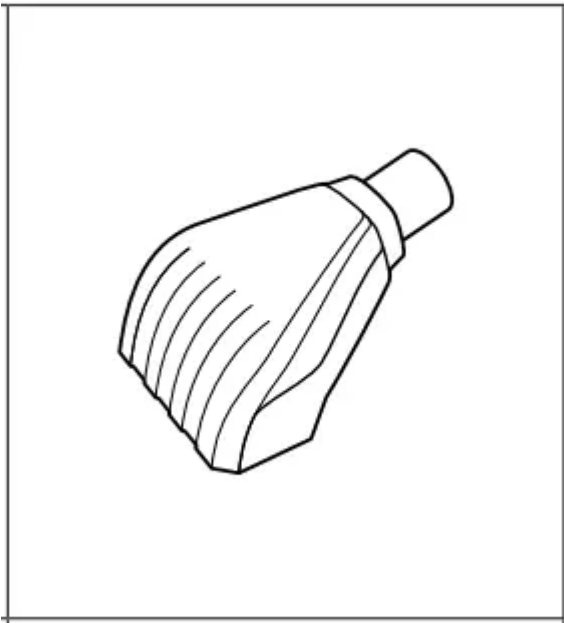
Foot



2-in-1 Dusting Brush & Crevice Tool

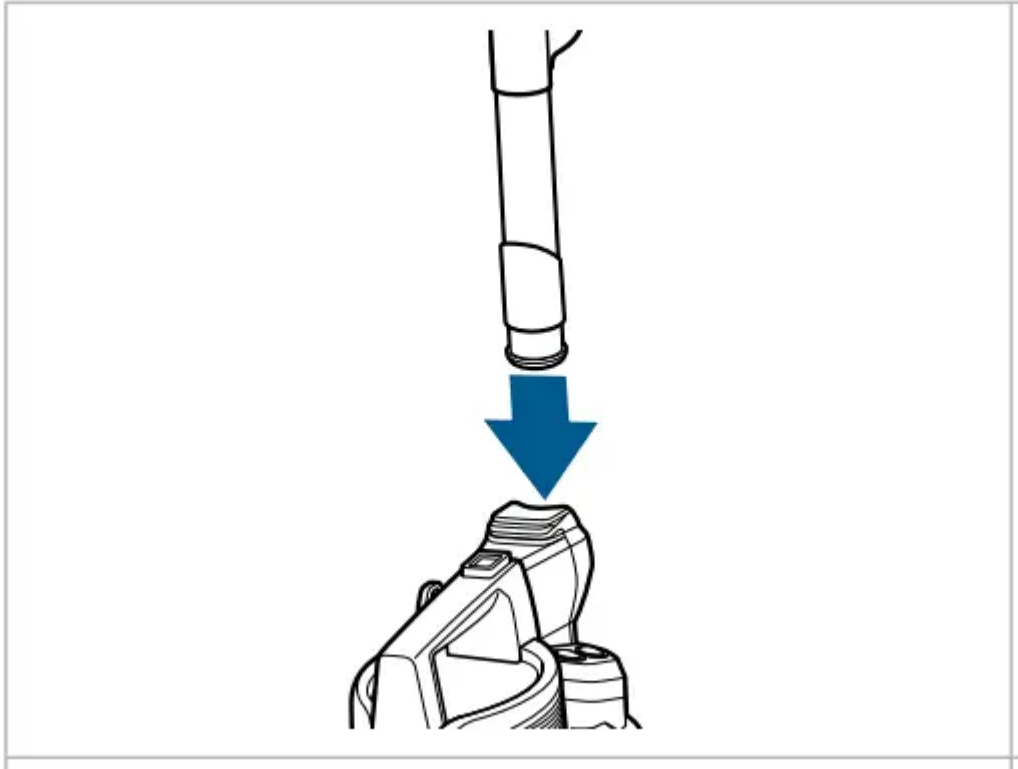


Pet TurboEraser® Tool

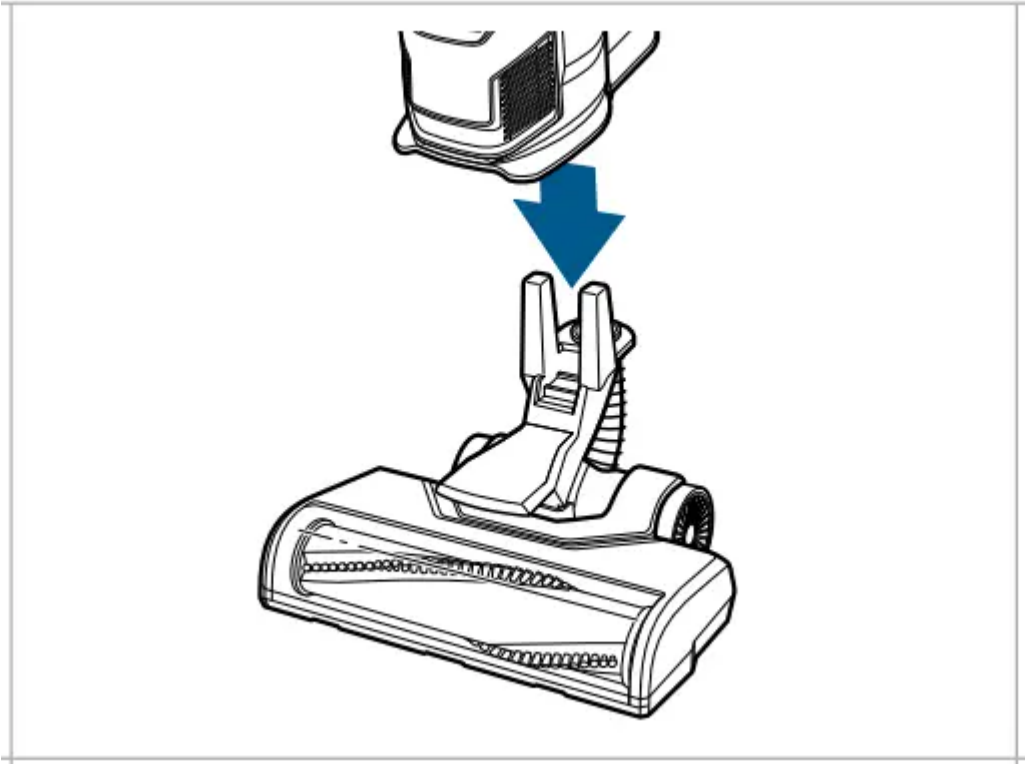


Assembly

1. Attach Handle to Lift-Off Pod.

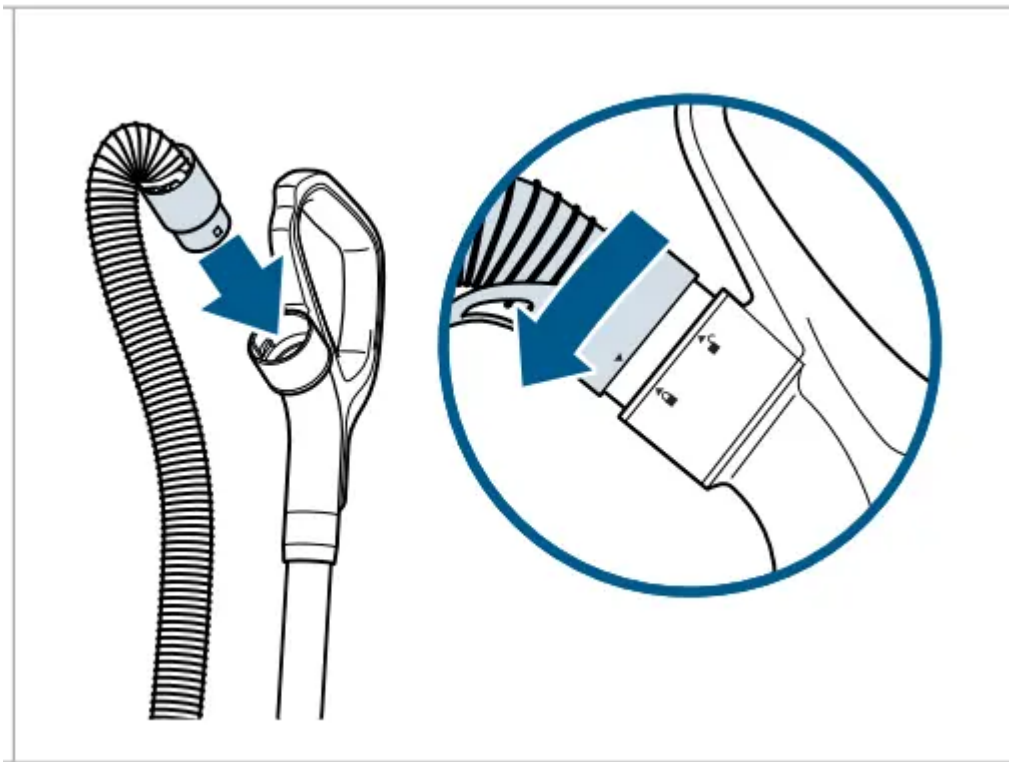


2. Attach Lift-Off Pod to Foot

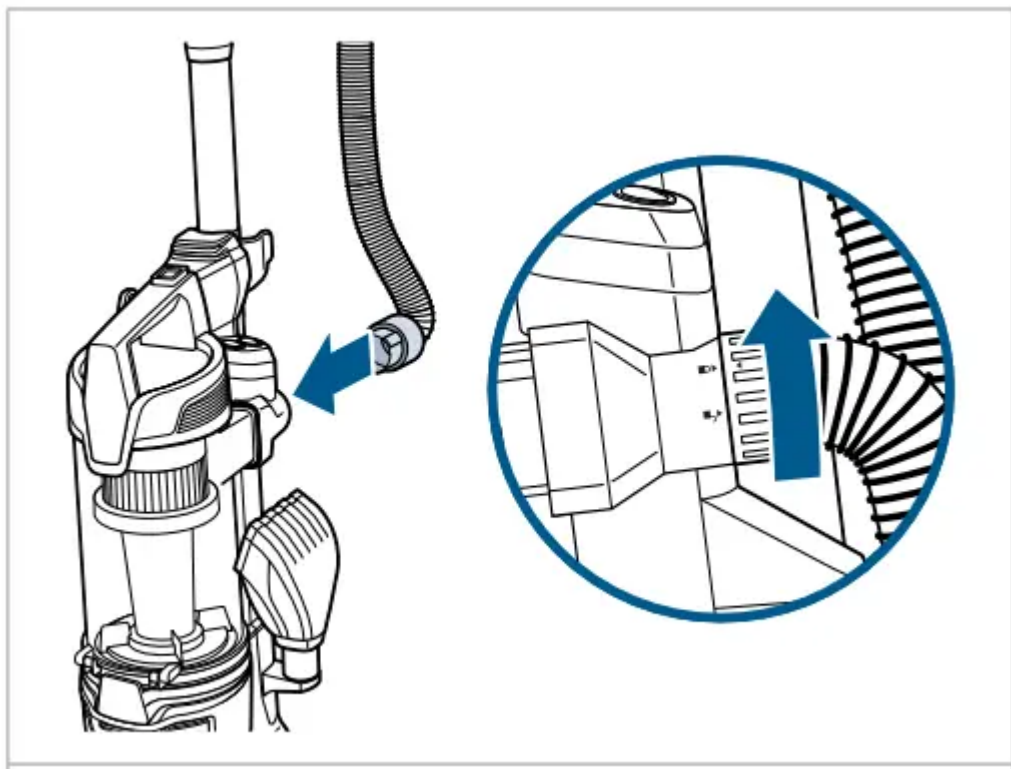


3. Attach Stretch Hose to Handle by twisting clockwise.

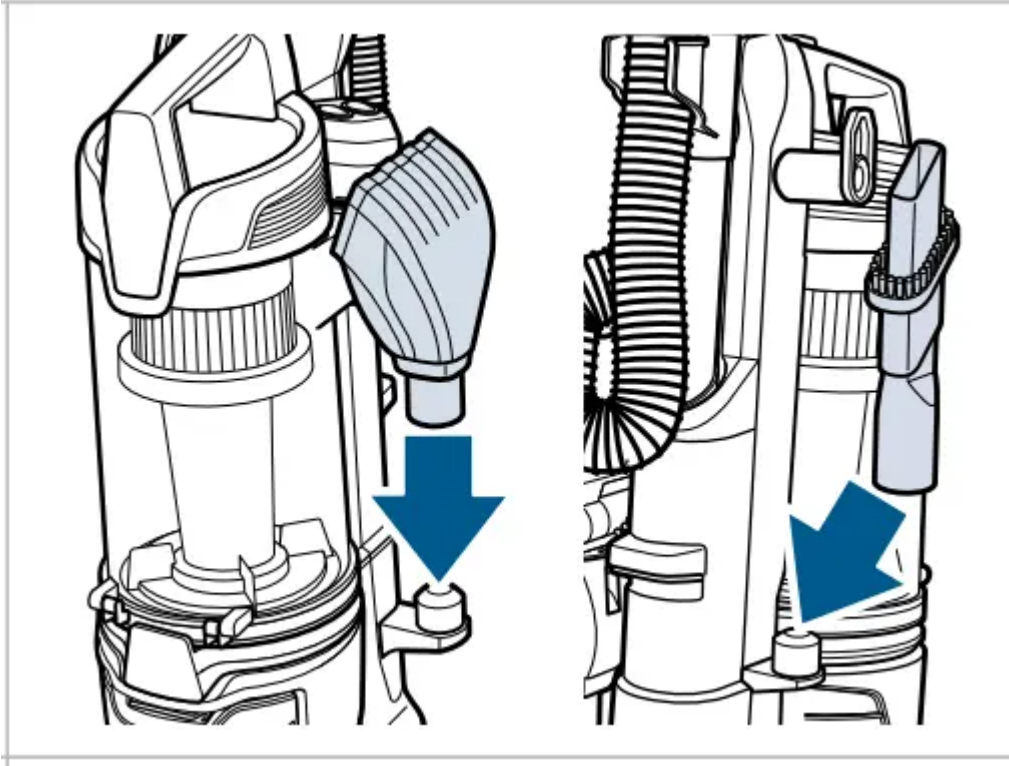




4. Attach Stretch Hose to back of vacuum by twisting clockwise.

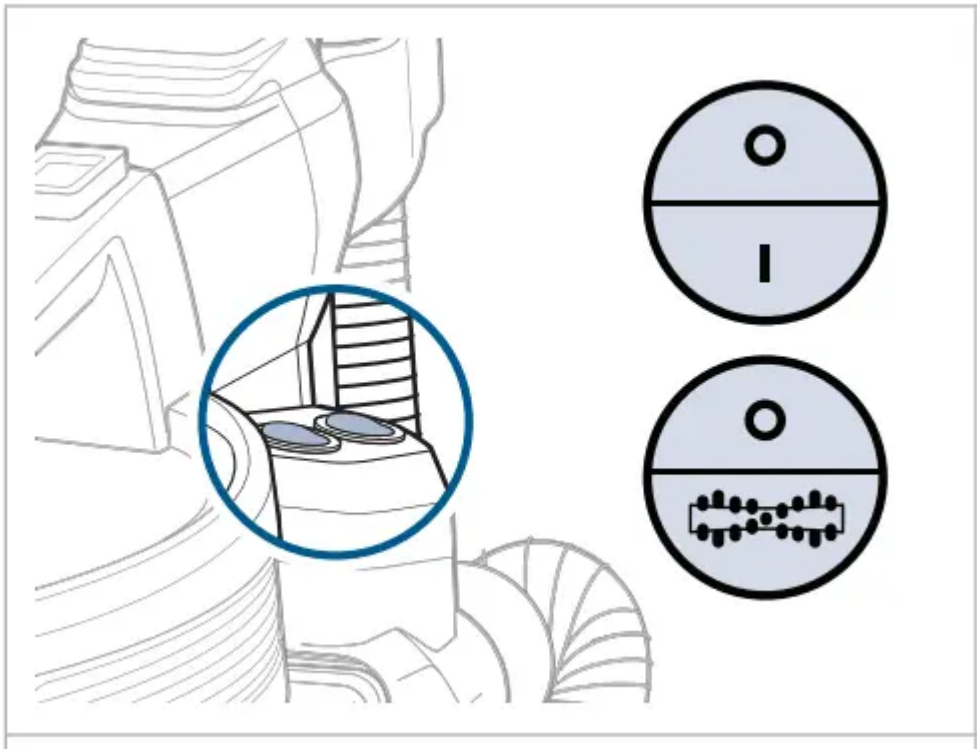


5. Attach tools to tool holders on vacuum.



Using Your Vacuum

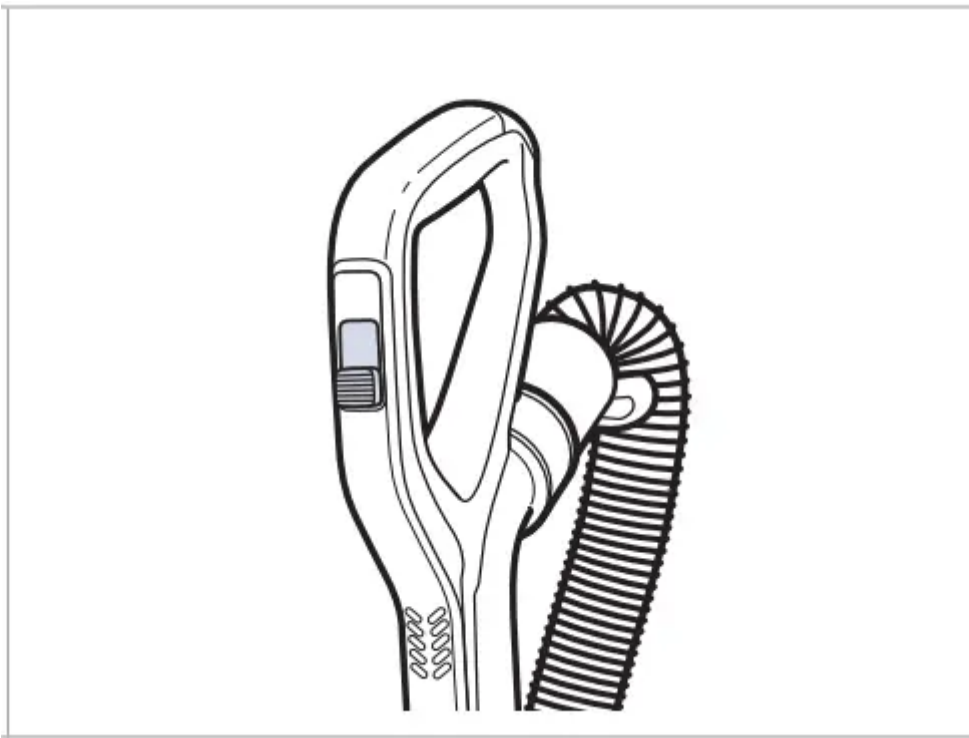
1. Turn power ON. Turn the Brush Roll ON for carpet cleaning and the light switch will illuminate. Turn the Brush Roll OFF when vacuuming hard or delicate surfaces



2. Step gently on base and pull the handle back to recline. Note: The Brush Roll automatically shuts OFF when vacuum is locked in upright position. Recline to reactivate.

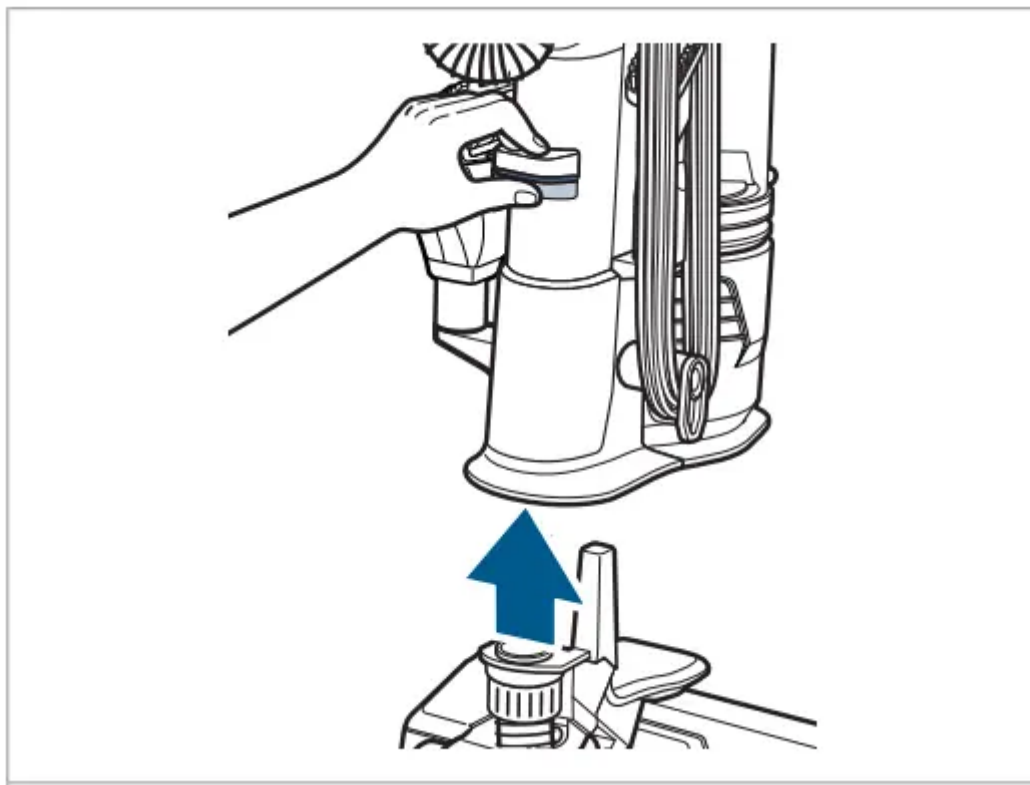


3. Use the Carpet Type Control for optimized cleaning on high pile and low pile carpet. The control can be moved to the middle position for medium pile carpeting.

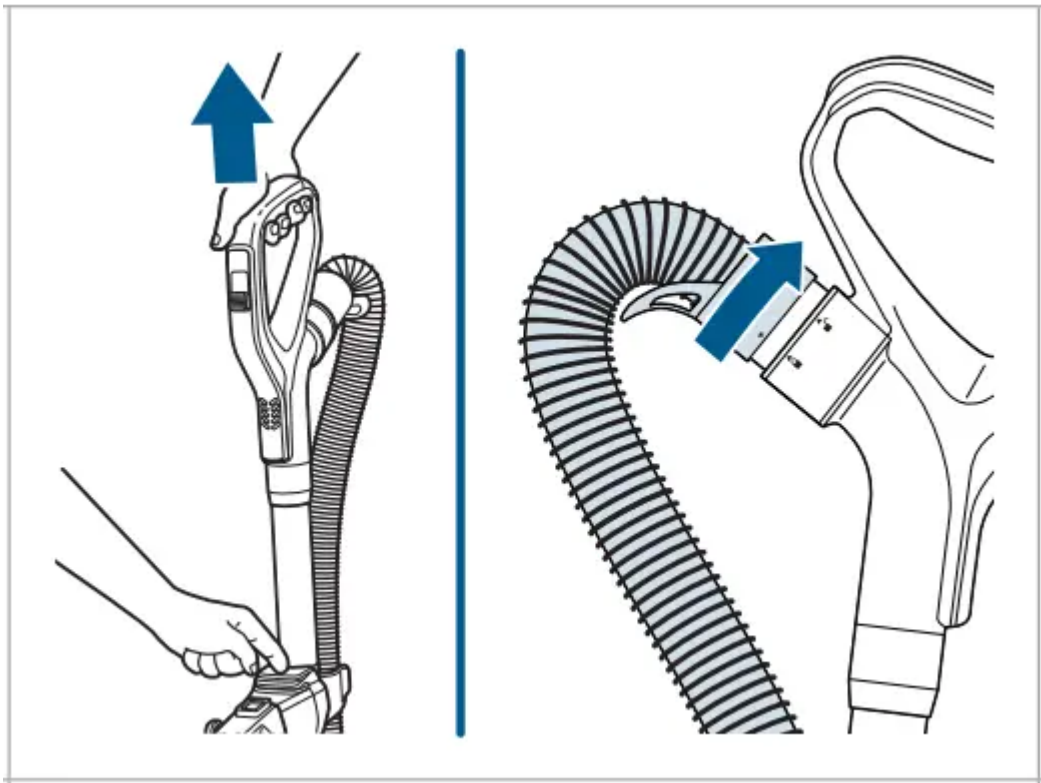


Above Floor Cleaning

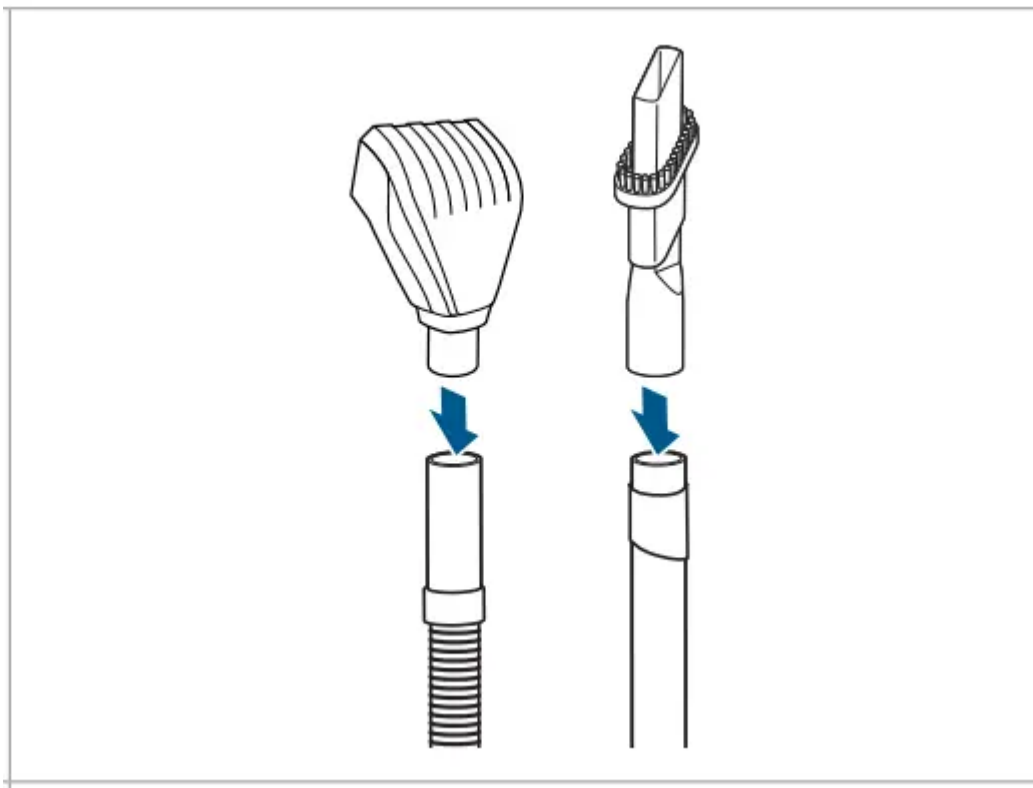
1. Push the Lift-Off Release Button and lift up to remove the pod from the Foot.



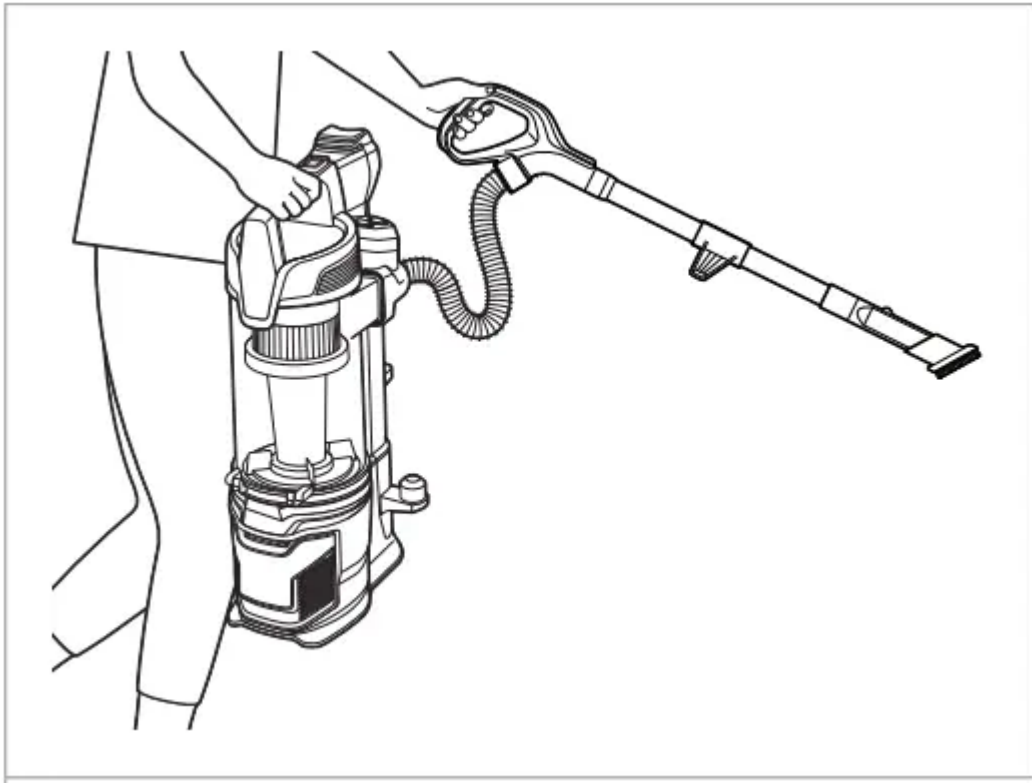
2. For the most reach, use the Quick Release Extension Wand. Push the Release Button to remove. To clean without the the wand, twist circular hose cuff counter-clockwise and remove.



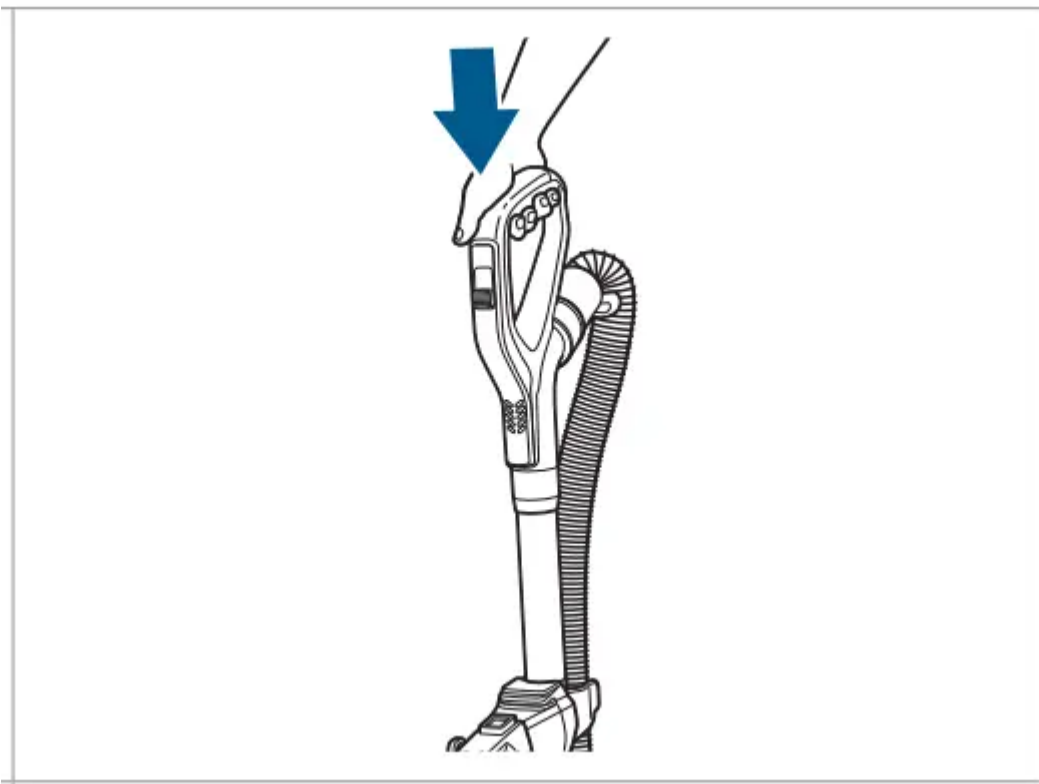
3. Attach desired tool. Note: For optimal use, attach the Pet TurboEraser® Tool directly to the Hose instead of the Handle.



4. Use the Carry Handle to bring the Lift-Off Pod to hard-to-clean places in your home.

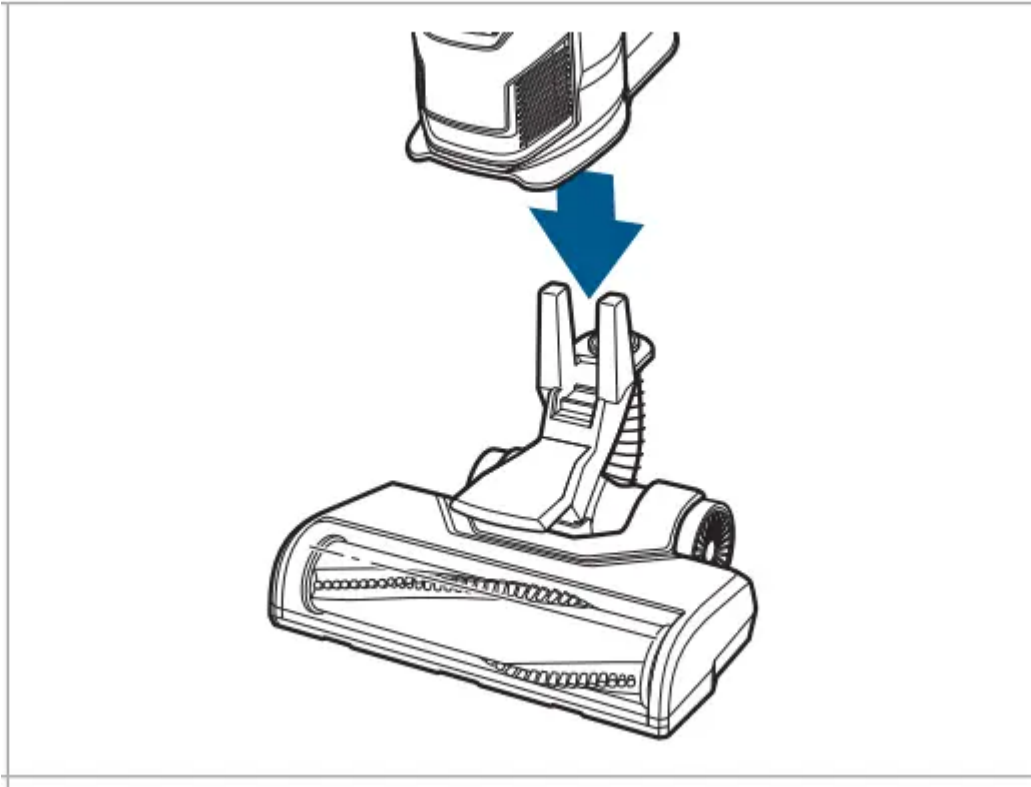


5. Replace the wand back by sliding into place until you hear a “click”. Reattach Hose to Handle if needed.



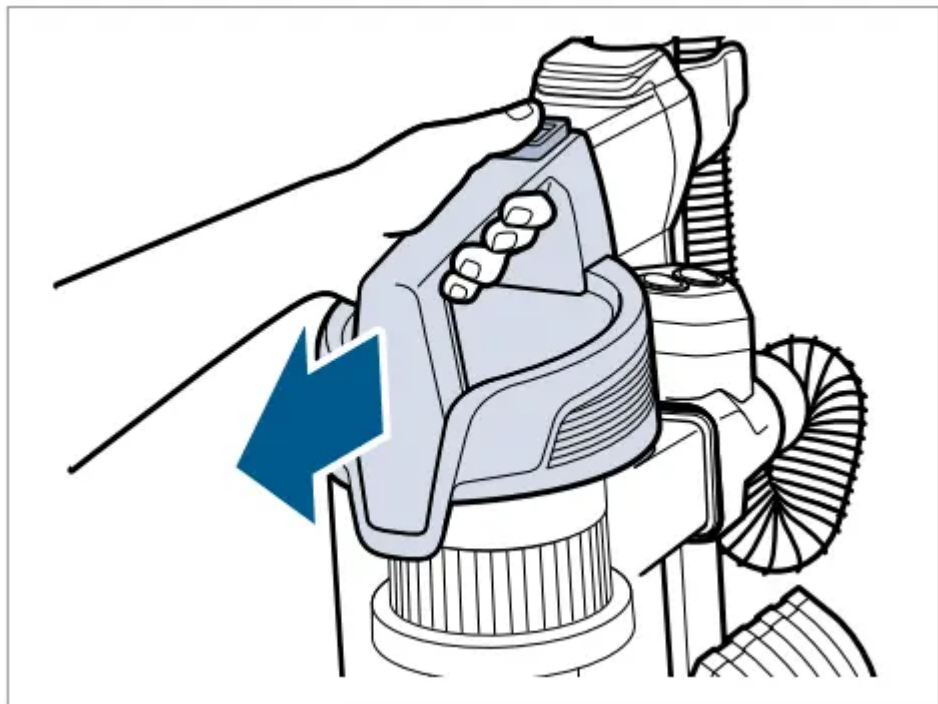
6. Place the pod back onto the Foot.



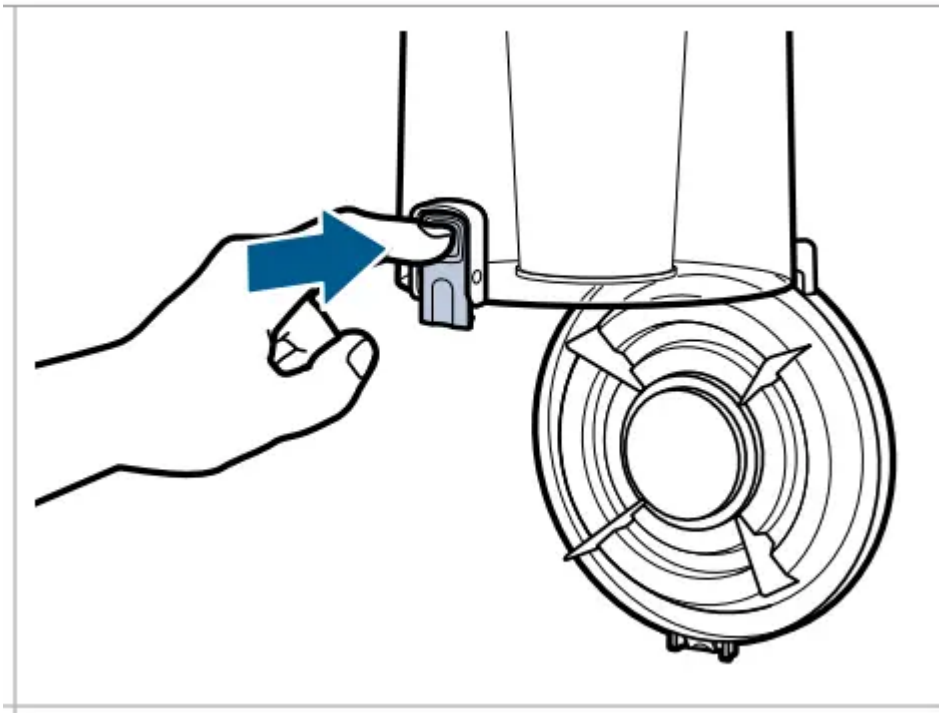


Emptying the Dirt Tank

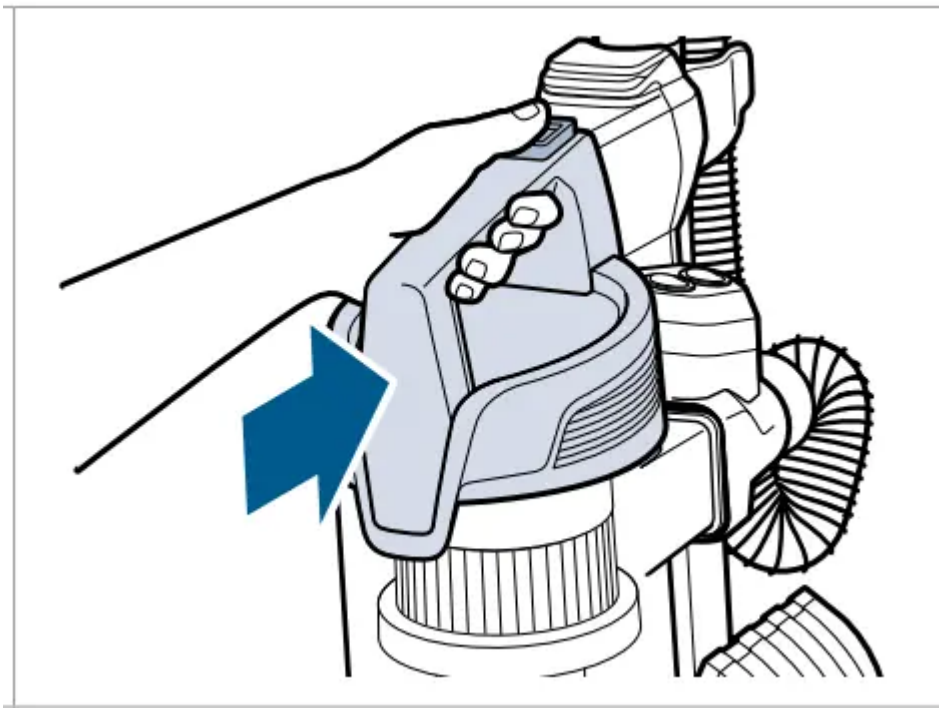
1. Press the Dirt Tank Release Button and grab the handle to pull the Dirt Tank away from vacuum.



2. Hold the Dirt Tank over a trash bin and press the Empty Button. Once emptied, snap bottom back into place.

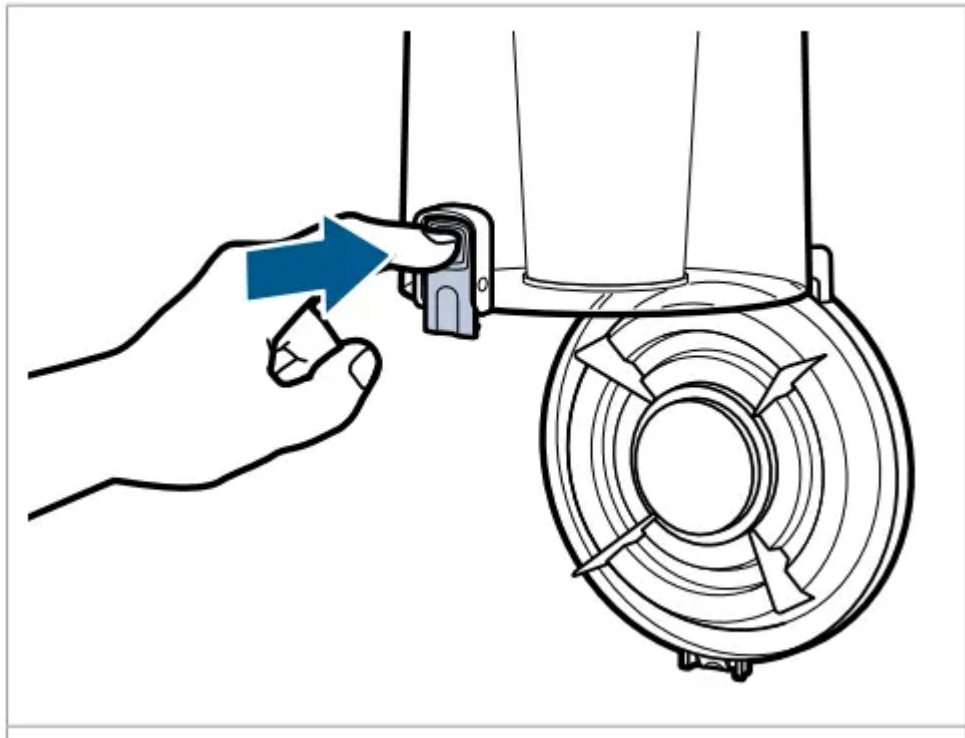


3. Return the Dirt Tank to the vacuum by securing the bottom in place first and then pushing back until you hear a “click”.

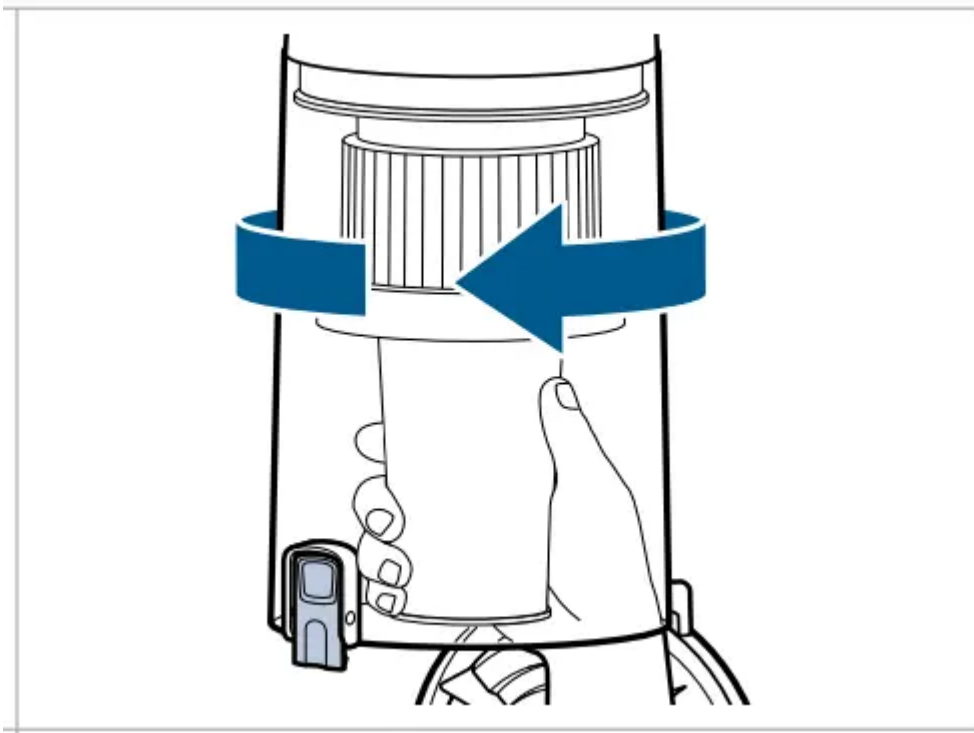


Cleaning the Inner Cyclone Separator

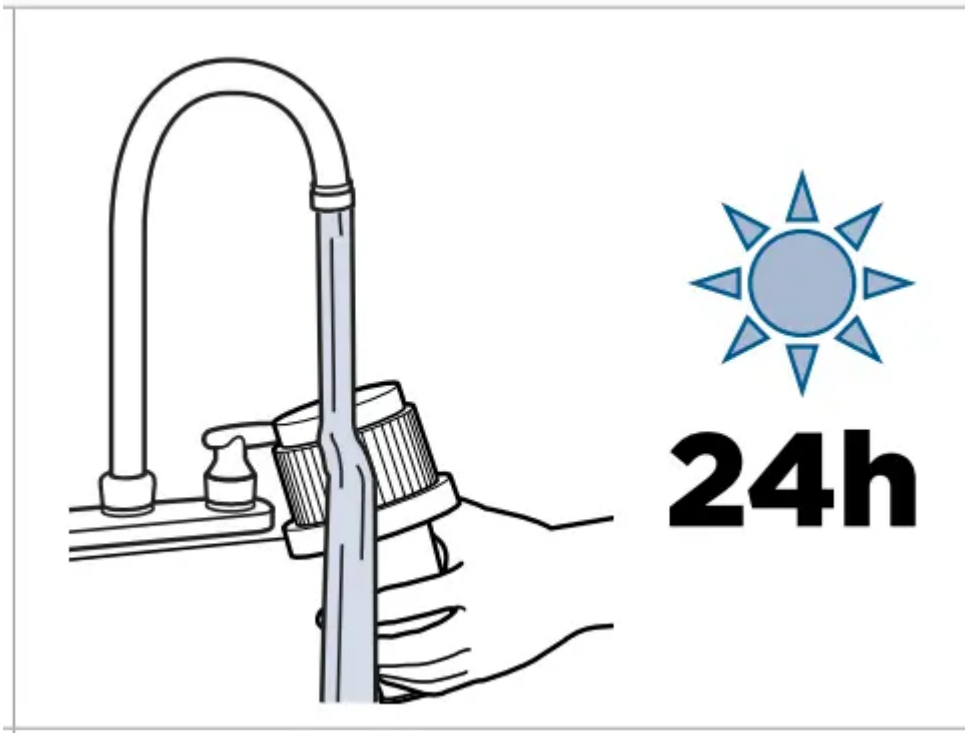
1. Hold the Dirt Tank over a trash container. Press the bottom release button to empty



2. Twist separator counterclockwise and pull down to remove.

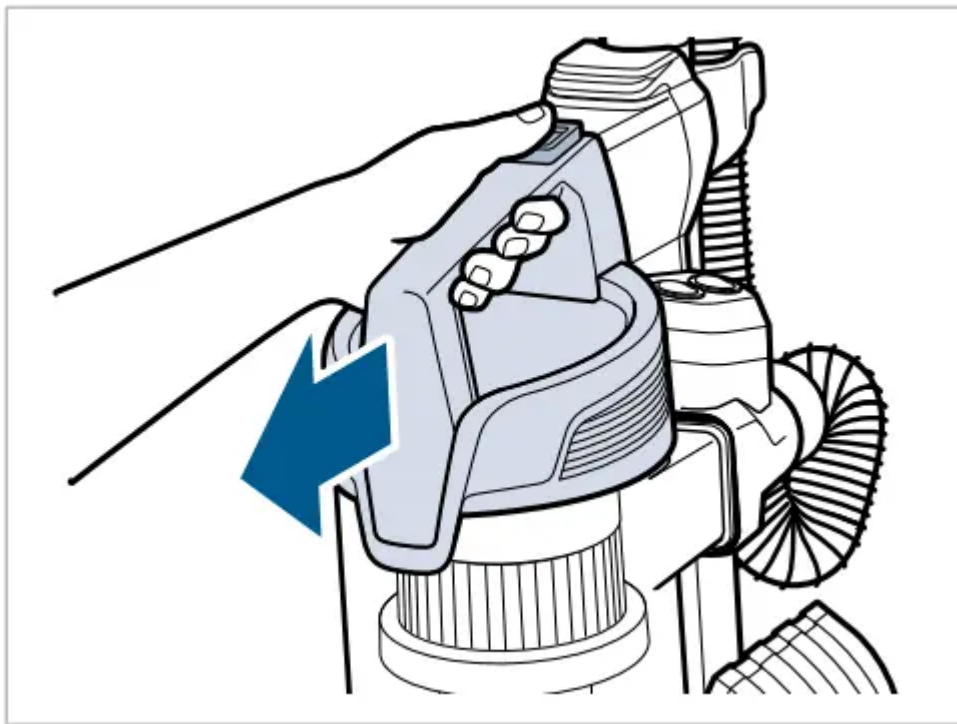


3. Tap separator against inside of trash container and rinse under warm water, if necessary. Be sure to let it dry completely before placing back in Dirt Tank.

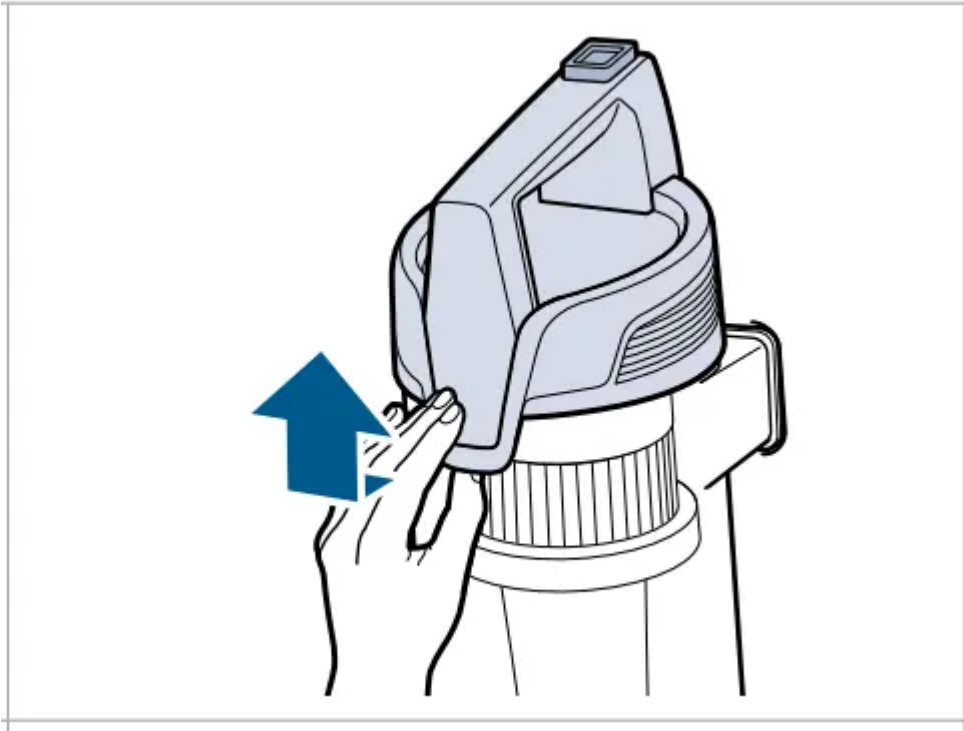


Cleaning and Replacing the Filters

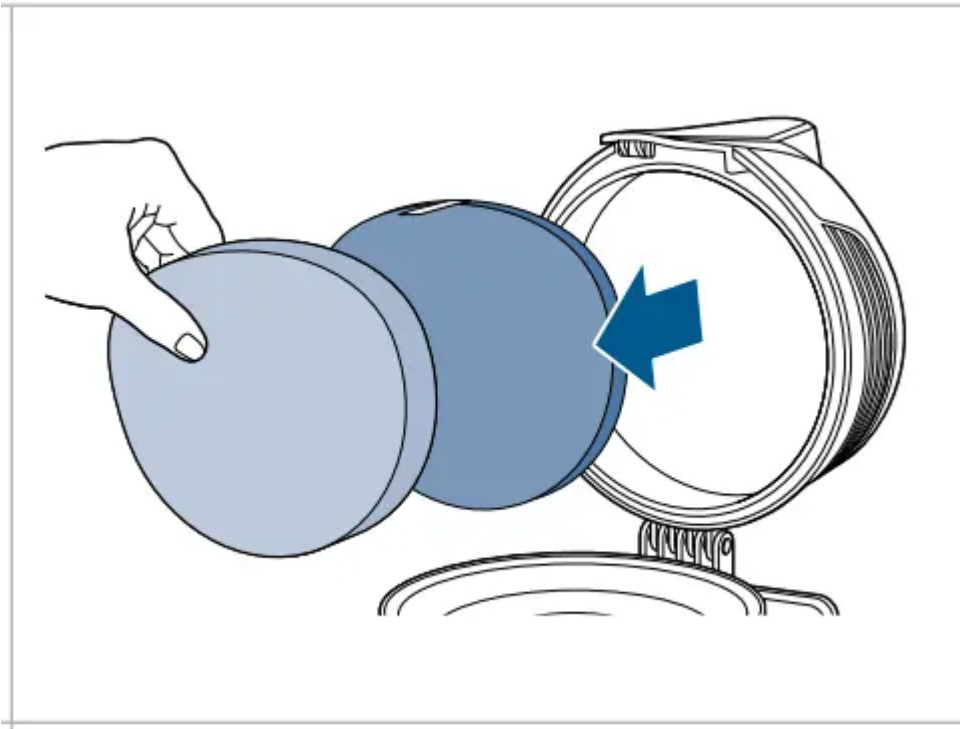
1. Press the Dirt Tank Release Button and pull away from vacuum.



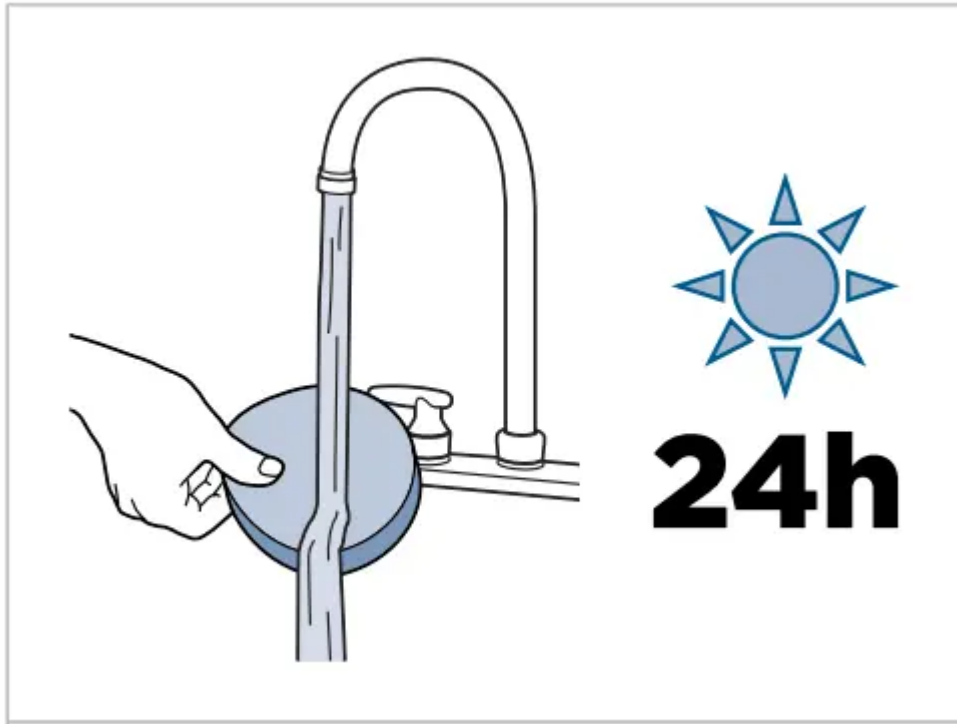
2. Open the tank lid by lifting up



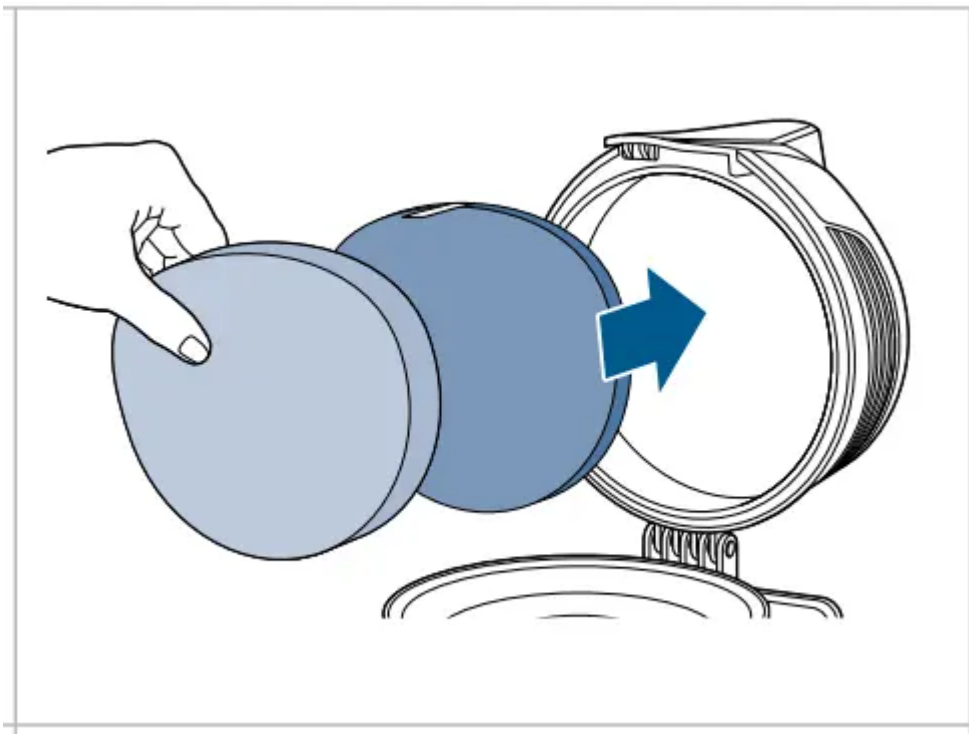
3. Remove Pre-Motor Filters from top of Dirt Tank lid by pulling out.



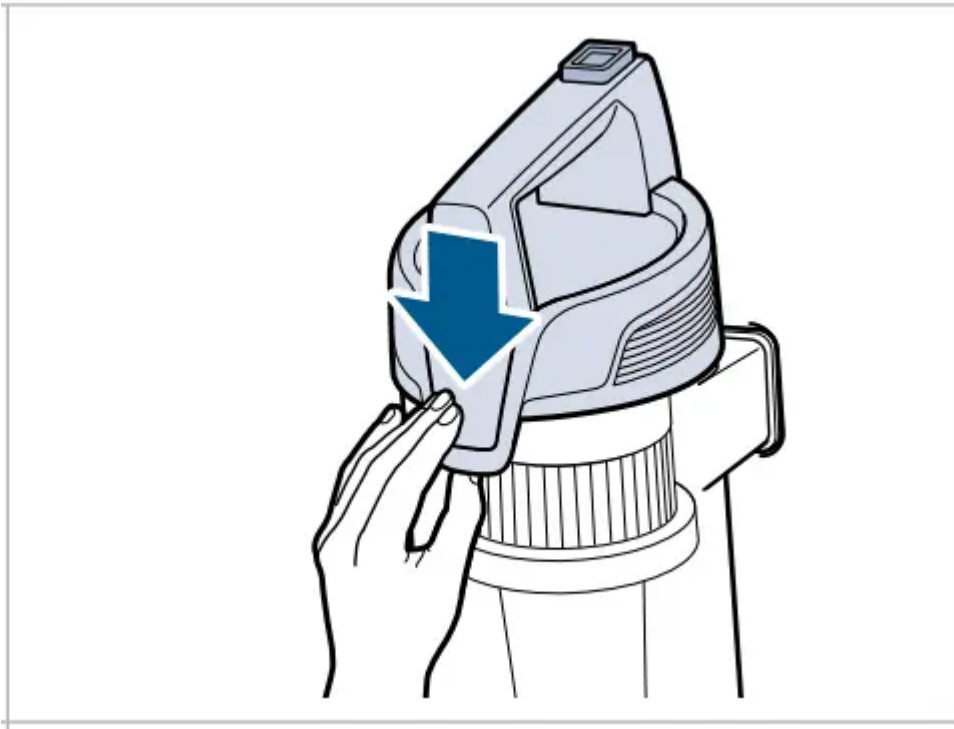
4. Clean with mild detergent, rinse and squeeze all excess water. Allow filters to dry completely before reinserting.



5. Return Pre-Motor Filters to the top of the Dirt Tank. Put the thin flat filter with the white tab in first, then put the thick foam filter in.



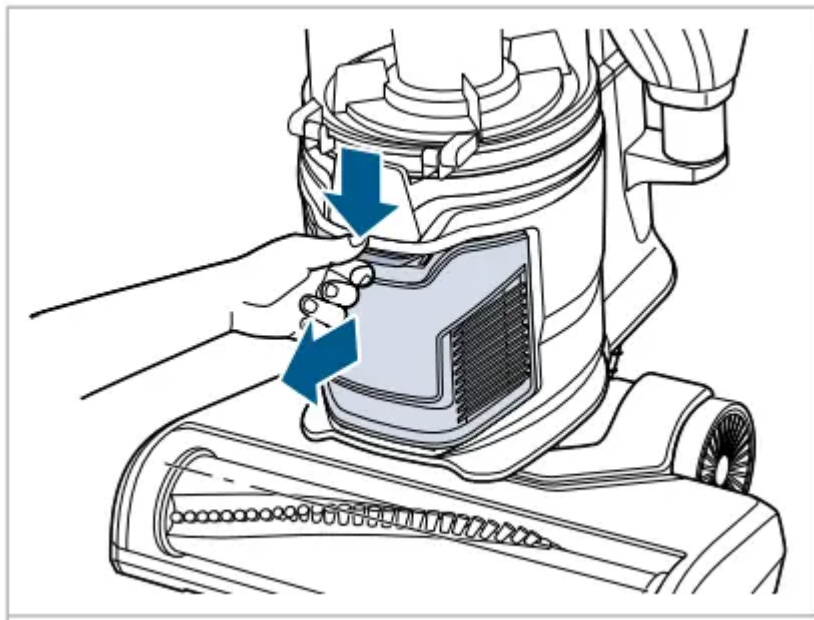
6. You should hear a click when tank lid is closed securely



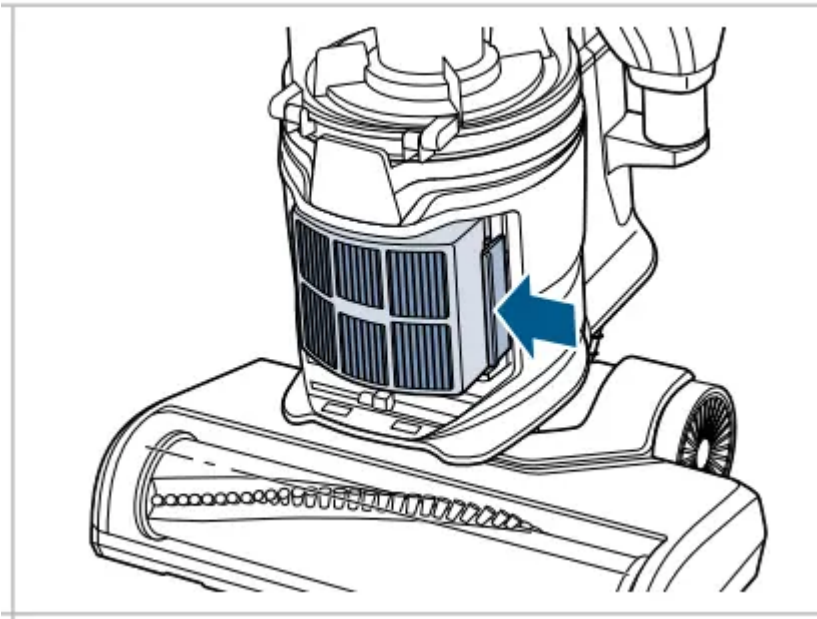
Post-Motor Filter

For optimal performance, replace the filter every 6 months.

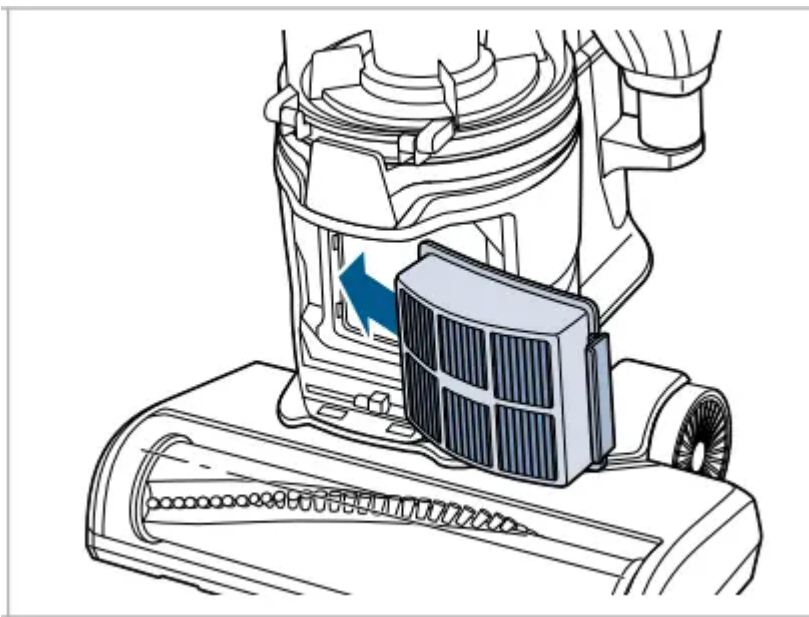
1. Press down on tab to remove Post-Motor Filter cover and pull away from vacuum.



2. Press tab on right side of filter and pull out to remove from vacuum. Remove debris from filter by tapping on the side of a trash container. This pleated filter may NOT be washed.



3. When reassembling, be sure to lock the filter back into place by aligning one side of the filter first, then clicking the other side into place.



Protecting the Vacuum's Motor

There is an internal thermal protector in your vacuum that protects it from overheating. It controls the main vacuum motor only, not the brush motor. When it activates, the main motor will stop. The front lights and Brush Roll will stay on but there won't be any suction. If this happens, follow these steps:

1. Turn vacuum OFF and unplug from electrical outlet.

2. Check for the source of overheating problem (full Dirt Tank, dirty filters or a clog) and fix by following the steps in the “Vacuum won’t pick up dirt” troubleshooting section.

3. When the motor cools for approximately 30 minutes, the thermal protector automatically resets and cleaning may continue. If the vacuum will not turn ON or the thermal protector continues to activate contact Consumer Care.



Troubleshooting

Problem	Possible Cause	Remedies
Vacuum is Hard to Push or Pull	Suction needs adjustment.	Adjust using the Suction Control feature on the Handle. See page 4.
Vacuum Won't Pick Up Dirt	There is a clog in the vacuum	Remove main hose, run broomstick through to clear.
		Remove bottom brush cover and clear debris from brush, belt and foot area
		Remove lower hose and run broomstick through to clear any clogs.
	Filters are dirty	Remove and rinse Pre-Motor Filters. Allow enough time for them to dry completely before reinserting. Remove and dust off Post-Motor Filter. See page 6.
	Incorrect Suction Control settings	Adjust using the Suction Control feature. See page 4.
Brush Roll Doesn't Rotate	Brush Roll Switch is OFF.	Make sure Brush Roll Switch is ON.
	Vacuum is locked in upright position.	Recline vacuum and turn the Brush Roll Switch ON.
	Brush Roll has lodged debris or other entanglements, keeping the brush from rotating.	Remove bottom brush cover and clear debris from brush, belt and foot area. To reset brush motor, machine should be unplugged before turning ON.
Loud Noise	Suction relief valve was activated	Clear any clogs from the upper and lower hose and brush area. Also clean all filters.

Warning

This content is compiled from multiple sources and is provided for reference purposes only. It may not be complete or fully applicable to all situations. If you are unable to resolve your issue, please contact the product manufacturer or an authorized service provider for official support.

Document generated by [ManualsFile](#)