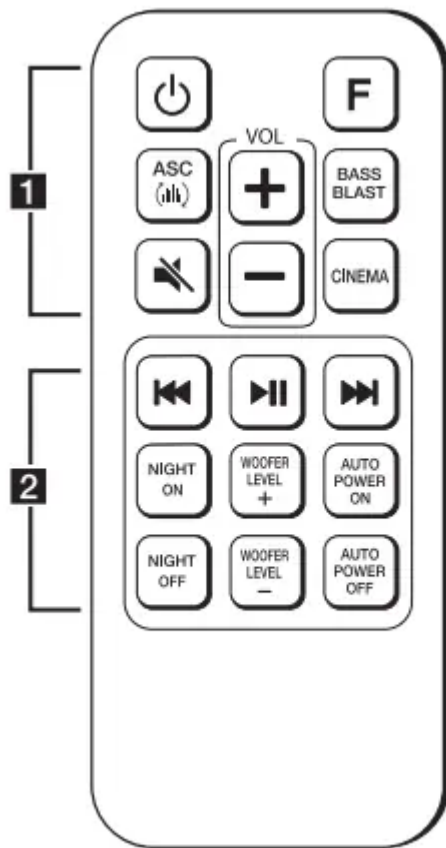


Remote control



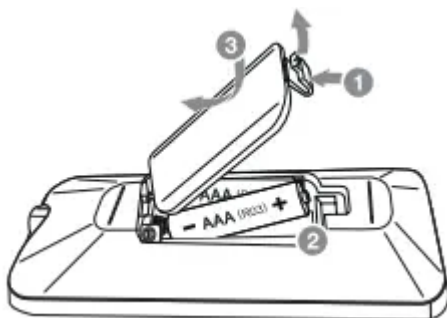
..... **1**

- ⏻ (Power) : Switches the unit ON or OFF
- F : Selects the function and the input source.
- ASC (🔊) : Analyzes the property of input sound and provides the sound optimized for the content in real time.
- BASS BLAST** : Selects reinforced bass sound.
- CINEMA** : Selects cinematic surround sound.
- VOL +/−** : Adjusts speaker volume.
- 🔇 (Mute) : Mutes the sound.

..... **2**

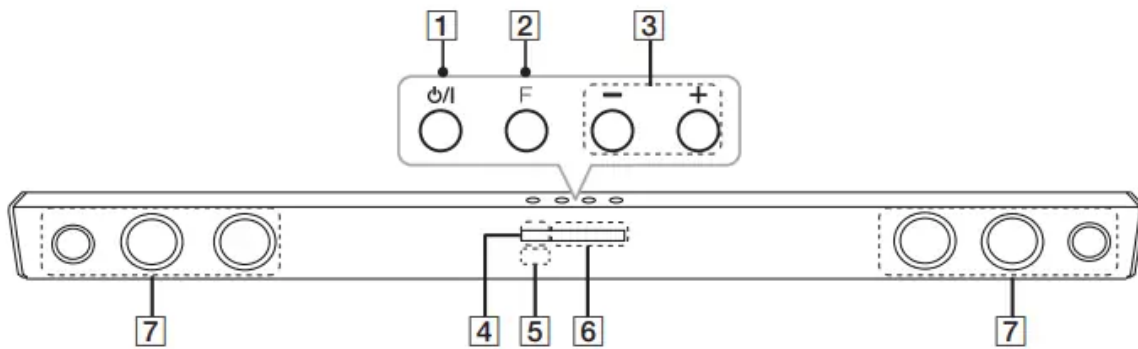
- ⏮/⏭ (Skip) : Skips Fast backward or Forward.
- ▶⏸ (Play/Pause) : Starts playback. / Pauses playback.
- NIGHT ON/OFF** :
 - Turns on or off Night mode.
 - Controls this unit using TV remote. (Refer to the page 16)
- WOOFER LEVEL +/−** : Adjusts sound level of subwoofer.
- AUTO POWER ON/OFF**: Turns on or off AUTO POWER function. (Refer to the page 16.)

Replacement of battery



Remove the battery cover on the rear of the Remote Control, and insert the (size AAA) battery with **+** and **-** matched correctly.

Front panel

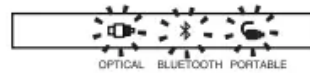


- 1** (Standby/On)
- 2** **F** (Function)
Selects the function and input source.
- 3** **-/+** (Volume)
Adjusts volume level.
- 4** Standby LED
It lights up in red on standby mode.
- 5** Remote sensor

- 6** Function LED

Note

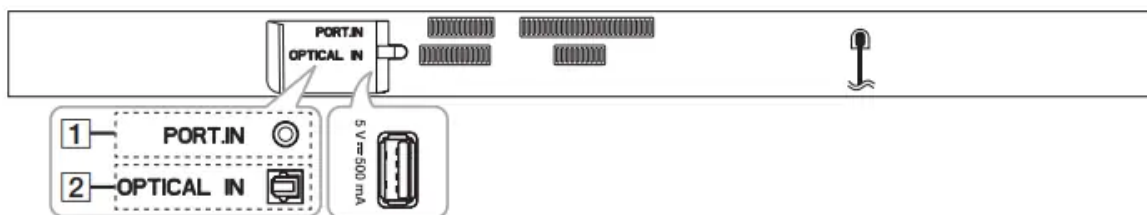
- You can check current function through the LED.



- This unit turns off LED if there is no key input for 20 seconds. To display LED, press any button.
- Standby LED quickly blinks when you press any button, and slowly blinks in Mute or Minimum volume status.
- **Bluetooth** LED blinks when you select **Bluetooth** function. If you connect a **Bluetooth** device, the LED will turn on.

- 7** Speakers

Rear panel



- 1** **PORT. IN** : Portable input

- 2** **OPTICAL IN** : Optical input

Installing the sound bar

You can hear the sound by connecting the unit to another device: TV, Blu-ray disc player, DVD player, etc. Place the unit in front of the TV and connect it to the device you want.

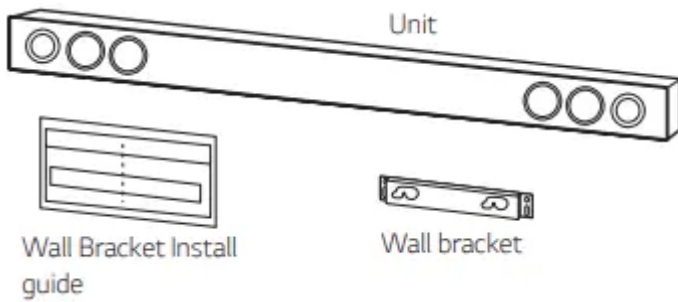


Mounting the main unit on a wall

You can mount the main unit on a wall

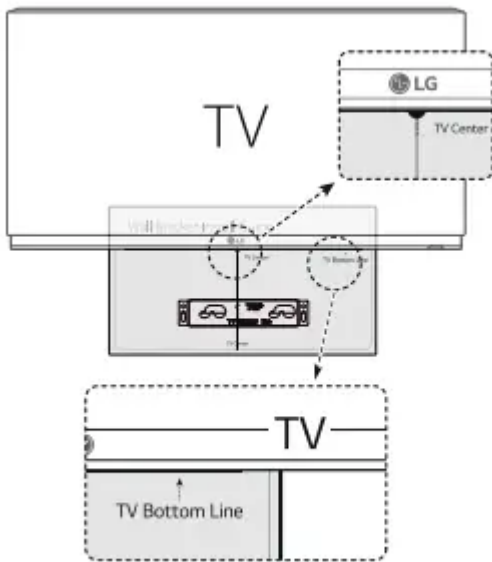


Prepare screws and brackets

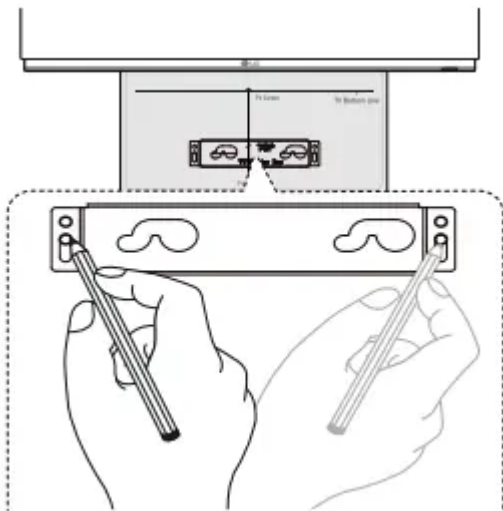


1. Match the TV's BOTTOM EDGE of Wall bracket install guide with the bottom of TV and attach to the position.



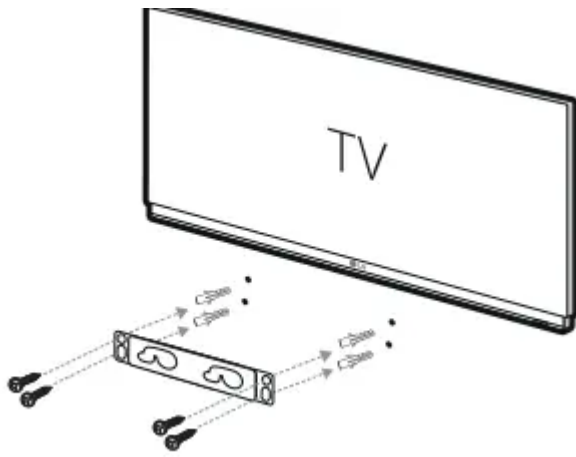


2. When you mount it on a wall (concrete), use the wall plugs (Not supplied). You will need to drill some holes. A guide sheet (Wall Bracket Install guide) is supplied showing you where to drill. Use the sheet to check the points where you should drill.

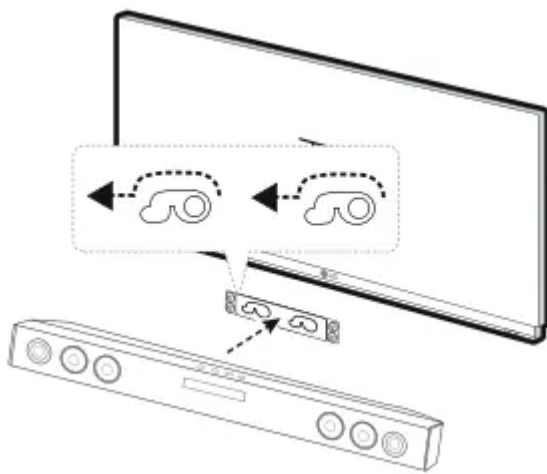


3. Remove the Wall bracket install guide.

4. Fix it with screws (not supplied) as shown in the illustration below.



5. Hang the main unit onto the bracket as shown below



Wireless subwoofer connection

LED indicator of wireless subwoofer


LED Color	Status
Yellow green (Blink)	Attempting to make connection.
Yellow green	The connection is completed.
Red/ Yellow green (Blink alternately)	The wireless subwoofer connection is initialized.
Off (No display)	The power cord of wireless subwoofer is disconnected.

Setting up the wireless subwoofer for the first time

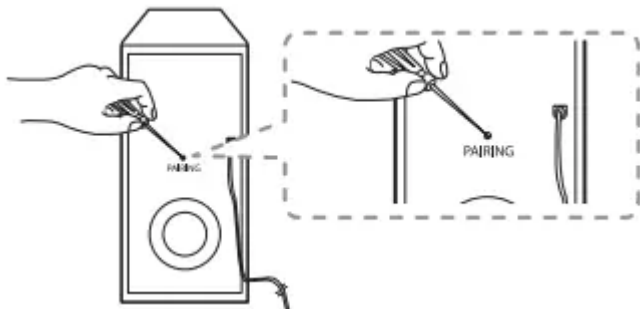
1. Connect the power cord of the wireless subwoofer to the outlet.
2. Turn on the main unit : The main unit and wireless subwoofer will be automatically connected.

Manually pairing wireless subwoofer

When your connection is not completed, you can see the red LED or the blinking of yellow-green LED on the wireless subwoofer and the subwoofer does not make sound. To solve the problem, follow the below steps.

1. Adjust volume level of the main unit to minimum by pressing VOL - button repeatedly until standby LED on the main unit blinks slowly.
2. Press and hold  (Mute) on the remote control for about 3 seconds.
 - The standby LED on the main unit blinks quickly
3. If the LED of the wireless subwoofer already blinks in yellow-green continually, you can skip this step.

Press and hold PAIRING on the back of the wireless subwoofer for more than 5 seconds.



- The LED of the wireless subwoofer lights up alternately in red and yellow-green.
4. Disconnect the power cord of the main unit and the wireless subwoofer.
 5. Connect them again after the LED of the main unit and the wireless subwoofer is fully turned off.

The main unit and the wireless subwoofer will be paired automatically when you turn on the main unit.

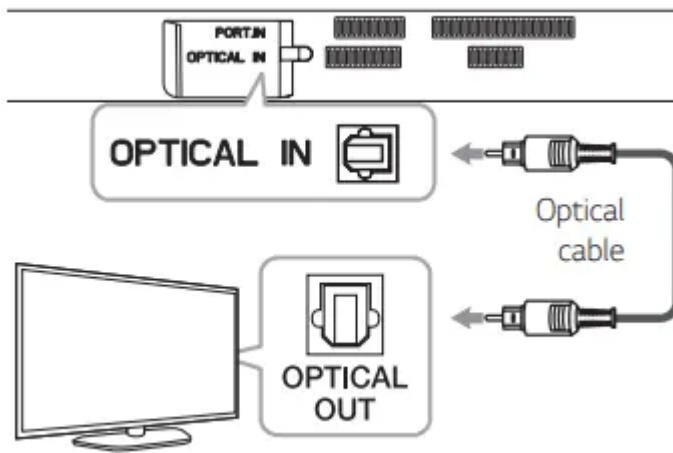
- When the connection is completed, you can see the yellow-green LED on the subwoofer

Connecting to your TV

Please connect with this unit and TV using the optical digital cable or HDMI cable considering the state of the TV.

Using an OPTICAL cable

1. Connect the OPTICAL IN jack on the back of the unit to OPTICAL OUT jack on the TV using an OPTICAL cable

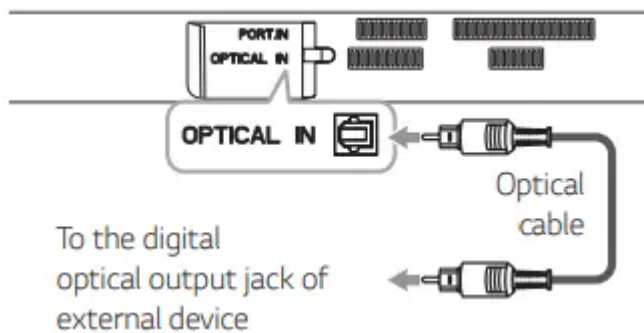


2. Select the input source to OPT/HDMI ARC by pressing F repeatedly.

Optional equipment connection

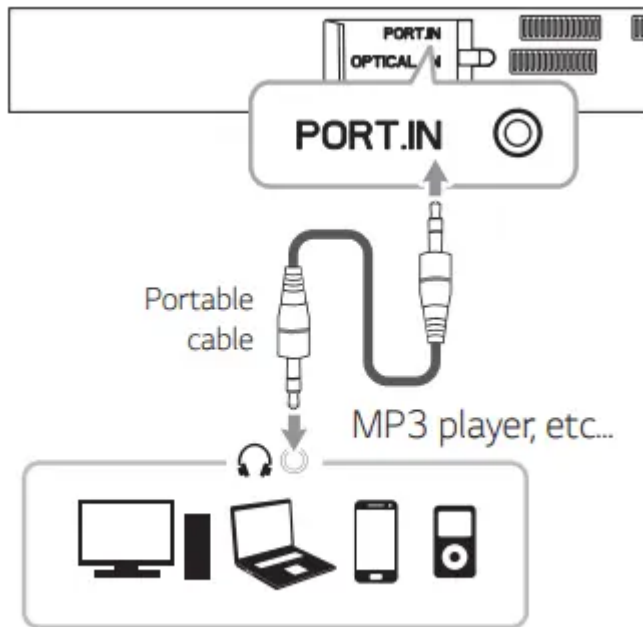
OPTICAL IN connection

Connect an optical output jack of external devices to the OPTICAL IN jack.




1. Connect the OPTICAL IN jack on the back of the unit to optical out jack of your TV (or digital device etc.)
2. Select the input source to OPTICAL by pressing F button repeatedly until the function is selected.
3. Listen to sound.
4. Press F to exit from OPTICAL.

PORT. IN connection



Listening to music from your portable player

The unit can be used to play the music from many types of portable players or external devices.

1. Connect the portable player to the PORTABLE IN connector of the unit by using 3.5 mm stereo cable.
2. Turn the power on by pressing  (Power).
3. Select the PORTABLE function by pressing F button repeatedly until the function is selected.
4. Turn on the portable player or external device and start playing it.


Operations


Night mode

This function is useful when you want to watch movies at low volume late at night. Set Night mode to On to reduce the sound intensity and improve fineness and softness.

Press NIGHT ON/OFF button to turn on or off night mode.

Turn off the sound temporarily

Press  (Mute) to mute your unit.

To cancel it, press  (Mute) again on the remote control or change the volume level.

Using your TV remote control

You can control some functions of this unit by your TV remote control even by other company's product. Controllable functions are volume up/down and mute.

Press and hold NIGHT ON on the remote control for about 3 seconds.

To turn off this function, press and hold NIGHT OFF about 3 seconds.

Auto power down

This unit will turn itself off to save electric consumption in the case main unit is not connected to external device and is not used for 15 minutes.

It will also shut itself off after six hours when the Main unit has been connected to other device using analog input. (Ex : Portable, etc..)

AUTO POWER On/Off

This unit automatically turns on by an input source : Optical or Bluetooth.

When you turn on your TV or an external device connected to this unit, this unit recognizes the input signal and selects the suitable function. You can hear the sound from your device.

If you try to connect your Bluetooth device, this unit turns on and is ready to pair. Connect your Bluetooth device and play your music.

This function turns on or off when you press AUTO POWER ON/OFF.

Auto function change

This unit recognizes input signals such as optical and Bluetooth. And then changes suitable function automatically.

When optical signal comes in

When you turn on the external device connected to this unit by an optical cable, this unit changes the function to optical. You can hear the sound from your device.

When you try to connect BLUETOOTH device

When you try to connect your Bluetooth device to this unit, the Bluetooth function is selected. Play your music on the Bluetooth device

Using BLUETOOTH® wireless technology

About Bluetooth

Bluetooth is wireless communication technology for short range connection.

The sound may be interrupted when the connection interfered by the other electronic wave or you connect the Bluetooth in the other rooms.

Connecting individual devices under Bluetooth wireless technology does not incur any charges. A mobile phone with Bluetooth wireless technology can be operated via the Cascade if the connection was made via Bluetooth wireless technology.

- Available Devices: Mobile phone, MP3, Laptop, PDA etc.
- Codec: SBC

Bluetooth Profiles

In order to use Bluetooth wireless technology, devices must be able to interpret certain profiles.


This unit is compatible with following profile.

A2DP (Advanced Audio Distribution Profile)

Listening to music stored on the BLUETOOTH devices


Pairing your unit and BLUETOOTH device

Before you start the pairing procedure, make sure the Bluetooth feature is turned on in to your Bluetooth device. Refer to your Bluetooth device's user guide. Once a pairing operation is performed, it does not need to be performed again.

1. Turn on the unit.
2. Operate the Bluetooth device and perform the pairing operation. When searching for this unit with the Bluetooth device, a list of the devices found may appear in the Bluetooth device display depending on the type of Bluetooth device. Your unit appears as "LG LAS485B (XX) / LG SK3B (XX)".
3. When this unit is successfully connected with your Bluetooth device, BLUETOOTH () LED will turn on.
4. Listen to music. To play a music stored on your Bluetooth device, refer to your Bluetooth device's user guide.

Troubleshooting



PROBLEM	CAUSE & CORRECTION
The unit does not work properly.	<ul style="list-style-type: none"> • Turn off the power of this unit and the connected external device (TV, Woofer, DVD-player, Amplifier, etc.) and turn it on again. • Disconnect the power cord of this unit and the connected external device (TV, Woofer, DVD-player, Amplifier, etc.) and then try connecting again. • Previous setting may not be saved when device power is shut off.
No Power	<ul style="list-style-type: none"> • The power cord is unplugged. Plug in the power cord. • Check the condition by operating other electronic devices.
No sound	<ul style="list-style-type: none"> • Incorrect input source is selected. <p>Check the input source and select the correct input source.</p> <ul style="list-style-type: none"> • The mute function is activated. <p>Press  (Mute) or adjust the volume level to cancel the mute function.</p> <ul style="list-style-type: none"> • When you are using connection with a external device (set top box, Bluetooth device etc.), adjust volume level of the device.
No woofer sound	<ul style="list-style-type: none"> • The power cord of the woofer is not connected. <p>Plug the power cord into the wall outlet securely.</p> <ul style="list-style-type: none"> • Pairing between the unit and woofer gets disconnected. <p>Connect the unit and woofer. (Refer to the page 12.)</p>
The remote control does not work properly.	<ul style="list-style-type: none"> • The remote control is too far from the unit. <p>Operate the remote control within about 7 m, (23 ft.).</p> <ul style="list-style-type: none"> • There is an obstacle in the path of the remote control and the unit. Remove the obstacle.

	<ul style="list-style-type: none"> • The batteries in the remote control is exhausted. <p>Replace the batteries with new one.</p>
<p>The <i>AUTO POWER</i> function does not work.</p>	<ul style="list-style-type: none"> • Check connection of the external device such as TV, DVD/Blu-Ray player or Bluetooth device. <ul style="list-style-type: none"> ◦ Depending on the connected device, this function may not operate.
<p>When you feel the output sound of the unit is low.</p>	<p>Check the details below and adjust the unit according to them.</p> <ul style="list-style-type: none"> • Switch [ON] state of DRC function to [OFF] by using remote controller. • With the sound bar connected with TV, change the AUDIO DIGITAL OUT setting on TV Setup Menu from [PCM] to [AUTO] or [BITSTREAM]. • With the sound bar connected with Player, change the AUDIO DIGITAL OUT setting on Player Setup Menu from [PCM] to [PRIMARY PASS-THROUGH] or [BITSTREAM]. • Make sure Night Mode is not On. Turn [OFF] Night Mode.

NOTES to use wireless

PROBLEM	CAUSE & CORRECTION
<p>This device may have wireless interference.</p>	<ul style="list-style-type: none"> • Wireless may not operate normally in weak signal area. • Please install the device close enough to wireless subwoofer. • Do not install the device on metal furniture for optimum performance.

Bluetooth device may malfunction or make noise in the following cases.

- When any part of your body contacts the transceiver of the **Bluetooth** device or sound bar.
- When there is an obstacle or wall or the device is installed in a secluded spot.
- When there is a device (a wireless LAN, a medical equipment or a microwave) using the same frequency, make the distance between the products as far away as possible from each other.
- When connecting the device to a **Bluetooth** device, make the distance between the products as close as possible.
- When the device gets too far from the **Bluetooth** device, the connection is disconnected and also may cause the device malfunction.

Warning

This content is compiled from multiple sources and is provided for reference purposes only. It may not be complete or fully applicable to all situations. If you are unable to resolve your issue, please contact the product manufacturer or an authorized service provider for official support.