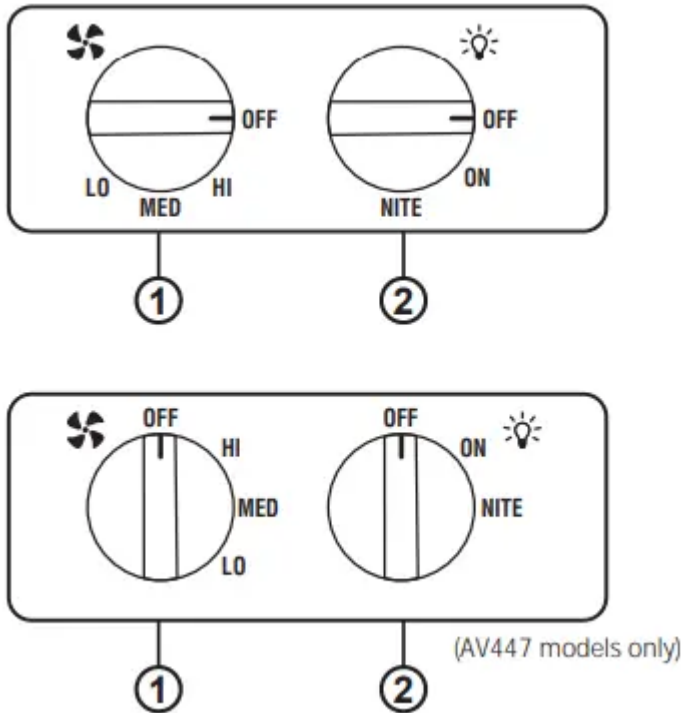


USING THE HOOD

Controls

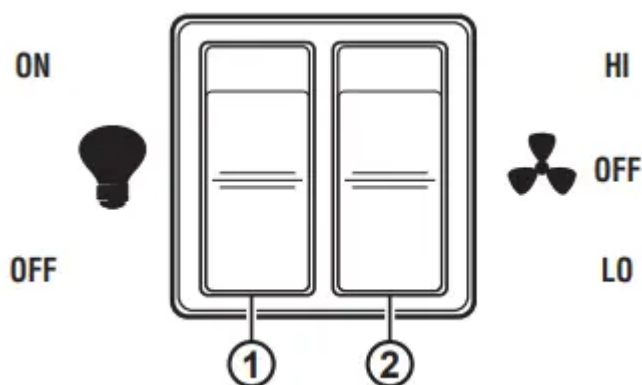
Throughout this manual, features and appearance may vary from your model.

Control Knobs (on some models)



1. FAN Control: Turn to HI, MED or LO as needed. Continuous use of the fan system while cooking helps keep the kitchen comfortable and less humid. It also reduces cooking odors and soiling moisture that create a frequent need for cleaning.
2. LIGHT Control: Turn to ON while cooking or to NITE for use as a night light.

Switch Pad Controls (on some models)



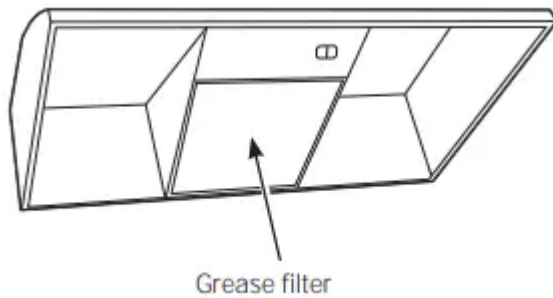
1. LIGHT Control: Press the pad at the top to turn the light ON.
2. Fan Settings Buttons: Press the pad at the top to turn the fan on HI and at the bottom to turn it on LO. The center position is OFF. Continuous use of the fan system while cooking helps keep the kitchen comfortable and less humid. It also reduces cooking odors and soiling moisture that create a frequent need for cleaning.

Filters

Be sure electrical power is off and all surfaces are cool before cleaning or servicing any part of the vent hood.

Reusable Metal Grease Filter - Ducted Installations Only

- The efficiency of your hood depends on a clean filter. Frequency of cleaning depends on hood use and the type of cooking you do. However, the grease filter should be cleaned at least once a month.
- To remove: Pull down on the center of the front edge of the filter. The filter will then slip out of the retaining tabs on the back.
- To replace: Slip the back edge of the filter into the retaining tabs and push the front edge up until it snaps into place.
- To clean: Soak and then agitate it in a hot water and detergent solution. Light brushing can be used to remove embedded dirt. Rinse, shake and let it dry before replacing.
- NEVER OPERATE THE HOOD WITHOUT THE FILTER IN PLACE.
- With careful handling, the metal filter will last for years. If a new replacement filter becomes necessary, order the part from your dealer. Order genuine GE Appliances part number WB02X8391.



Charcoal Filter - Recirculating Installations Only

- The charcoal filter cannot be cleaned. It must be replaced. Order filter no. WB02X10700. Replacement filters can be ordered from your GE Appliances supplier.
- If the hood is not vented to the outside, the air will be recirculated through a disposable charcoal filter that helps remove smoke and odors.
- The charcoal filter should be replaced after 6 to 12 months (depending on hood usage). To remove: Pull down on the center of the front edge of the filter. The filter will then slip out of the retaining tabs on the back.
- To replace: Slip the back edge of the filter into the retaining tabs and push the front edge up until it snaps into place.



NOTE: DO NOT rinse, or put charcoal filters in an automatic dishwasher.

Surfaces

Stainless Steel Surfaces (on some models)

- Do not use a steel-wool pad; it will scratch the surface.
- To clean the stainless steel surface, use warm sudsy water or a stainless steel cleaner or polish. Always wipe the surface in the direction of the grain. Follow the cleaner instructions for cleaning the stainless steel surface.
- To inquire about purchasing stainless steel appliance cleaner or polish, or to find the location of a dealer nearest you, please call our toll-free number:
 - National Parts Center 800.626.2002
 - GEApplianceParts.com

Painted Surfaces (on some models)

- Do not use steel-wool pads or other abrasive cleaners. They will scratch the surface.
- Clean grease-laden surfaces of the hood frequently. To clean the hood surface, use a hot, damp cloth with a mild detergent suitable for painted surfaces. About one tablespoon of ammonia may be added to the water. Use a clean, hot, damp cloth to remove soap. Dry with a dry, clean cloth.

NOTE: When cleaning, take care not to come in contact with filters and other non-enameled surfaces.

CAUTION When cleaning the hood surfaces, be certain that you do not touch the light bulb with moist hands or cloth. A warm or hot light bulb may break if touched with a moist surface. Always let the light bulb cool completely before cleaning around it.

Light

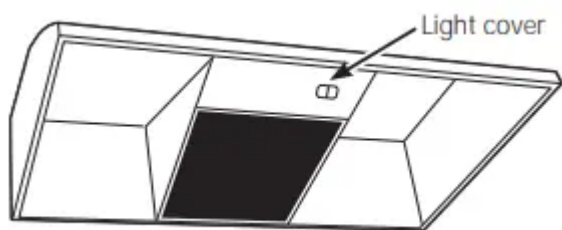
CAUTION: Let the light bulb cool completely before removing. A warm or hot bulb may break if touched with a moist cloth or hand.

Remove the bulb and replace it with a type A15 incandescent light bulb with an ordinary screw base, not more than 60 Watts, or a type A17 or T2 Compact Fluorescent (CFL) light bulb with an ordinary screw base, not more than 13 Watts. NOTE: Use only incandescent bulbs in models RN328, JN327, JN328 and JV338.

IMPORTANT: For installation, handling and disposal precautions, refer to the fluorescent bulb packaging literature.

To remove the light cover (on some models):

- Press the sides with two fingers until the side prongs are released
- Lift the light cover and slide it toward you in one motion



To replace the light cover:

- Insert the prong located at the end of the cover into the top opening
- Gently push the cover up and press the sides to fit the side prongs into the side openings
- Release and the cover will lock in position

When using an energy saving bulb in your GE Appliances hood make sure you use either:



GE Long Life Energy Smart™ Spiral® T2 Product Code: 85383 Description:
FLE13HT2/2/SW/CD

or



GE Long Life Energy Smart™ A17 Product Code: 47486 Description:
FLE11/2/A17XL/CD Available at www.gelighting.com

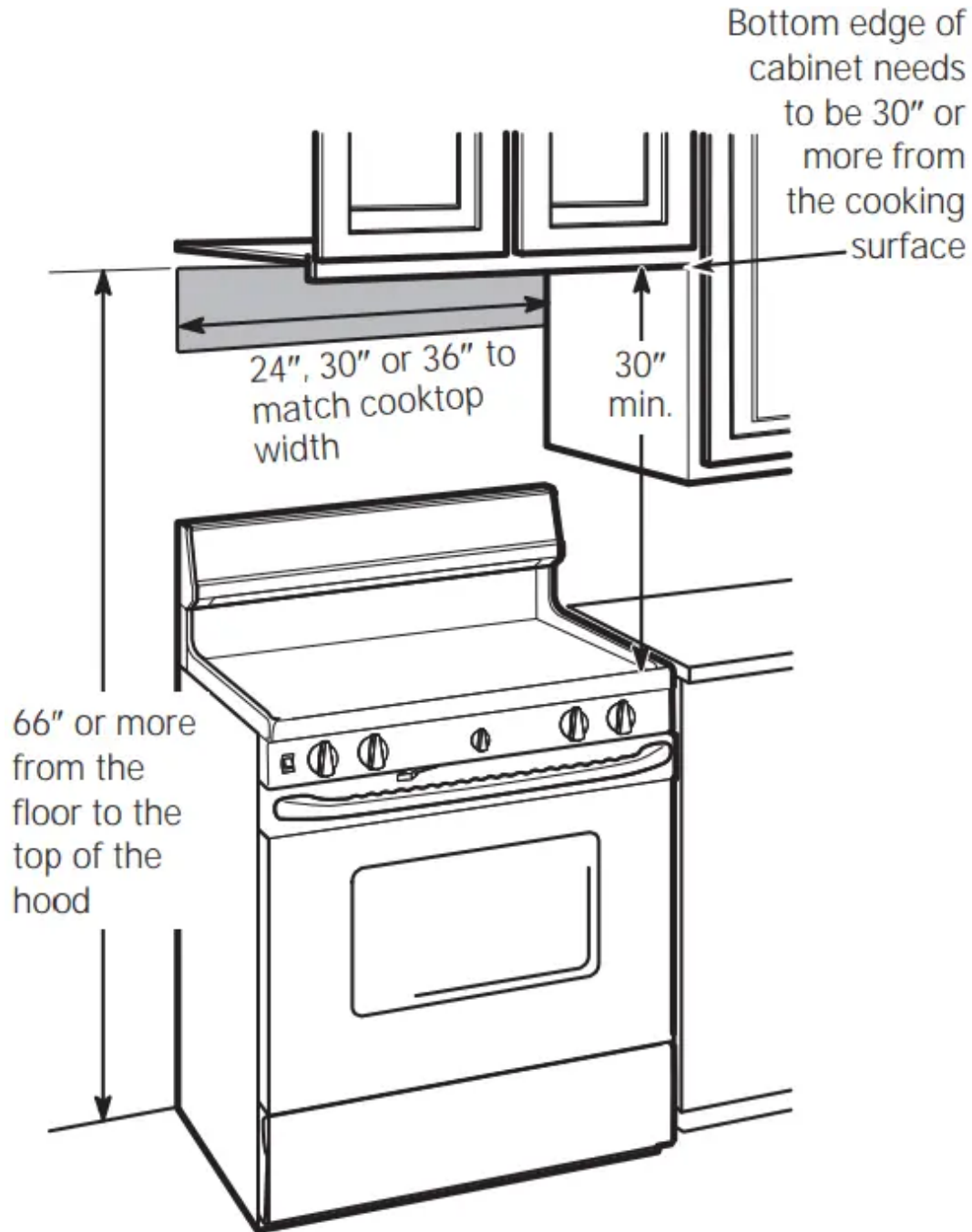
Installation Instructions

BEFORE YOU BEGIN

Read these instructions completely and carefully.

- IMPORTANT — Save these instructions for local inspector's use.
- IMPORTANT — Observe all governing codes and ordinances.
- Note to Installer – Be sure to leave these instructions with the Consumer.
- Note to Consumer – Keep these instructions for future reference.
- Skill level – Installation of this vent hood requires basic mechanical and electrical skills.
- Proper installation is the responsibility of the installer.
- Product failure due to improper installation is not covered under the Warranty.

MOUNTING SPACE



NOTES:

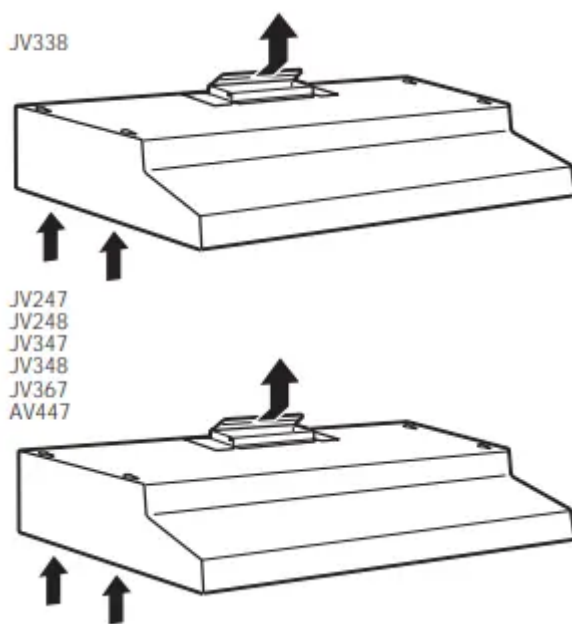
- Hood width may be greater than the width of the range or cooktop, but it may not be smaller.
- Ensure the range or cooktop is installed per manufacturer's installation instructions.
- If you are going to vent your range hood to the outside, see the "Ducting Requirements" section for exhaust duct preparation.

- The hoods are designed to fit 12" deep cabinets. When installed onto 15" deep cabinets, a filler panel accessory is available: Order JXS50SS for 30" wide hoods or JXS56SS for 36" wide hoods.

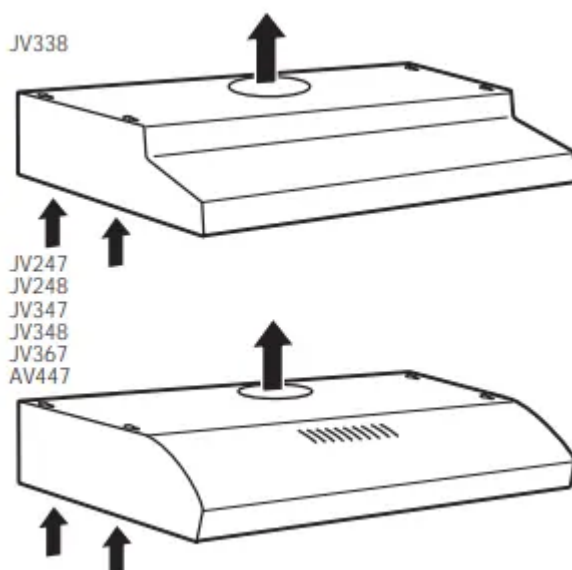
1. CHOOSE VENT OPTION

- Determine the vent option that your installation will require and that is available for your model from the below choices.
- **IMPORTANT:** If the hood is to be installed in a recirculating, non-vented, ductless manner, do not knock out any vent openings in the hood. Only an electrical access hole will be knocked out of the hood.

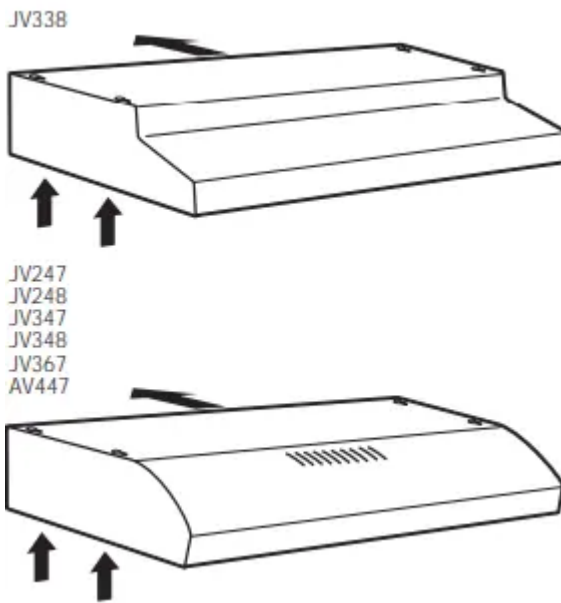
A. Outside top exhaust (Vertical duct–3-1/4" x 10" Rectangular)



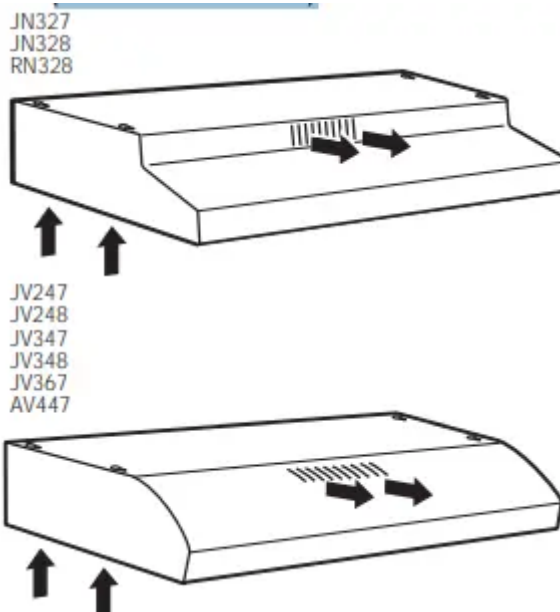
B. Outside top exhaust (Vertical duct–7" Round)



C. Outside rear exhaust (Horizontal duct–3-1/4" x 10" Rectangular)



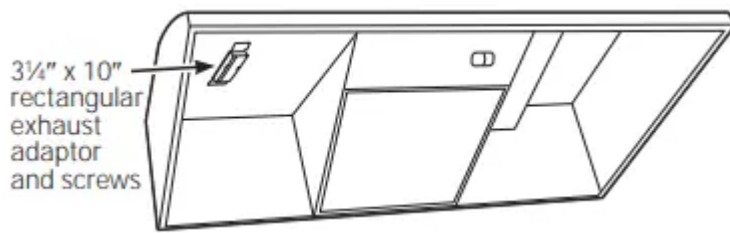
D. Recirculating (non-vented/ductless)



2. REMOVE EXHAUST ADAPTOR

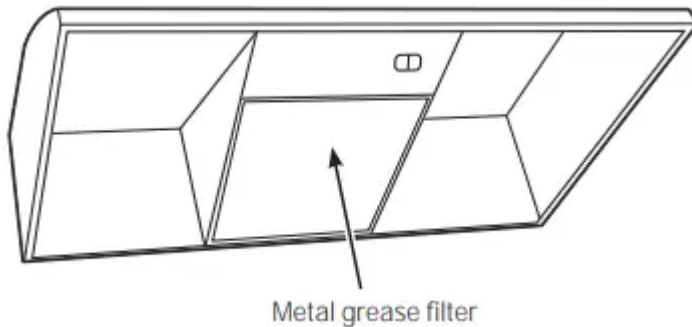
- If exhausting / venting using the 3 1/4" x 10" rectangular duct - optional for JV247, JV248, JV338, JV347, JV348, JV367 and AV447 models only:
 - Remove the exhaust adaptor from the inside of the hood. Set it aside along with its mounting screws.





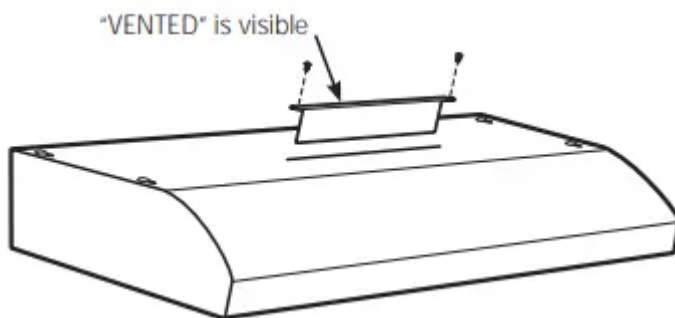
3. REMOVE FILTER

- Remove the shipping tape holding the metal grease filter in place. Pull down on the center of the front edge of the filter. The filter will then slip out of the retaining tabs on the back.



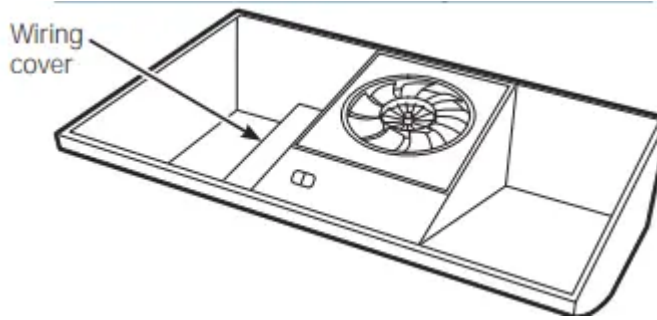
4. REVERSE THE BAFFLE FOR DUCTED INSTALLATIONS ONLY (JV247, JV248, JV347, JV348, JV367 and AV447 models)

- If the hood is to be recirculated, skip to the next step. Remove the baffle from the top of the hood. Reinstall the baffle so the short side marked "VENTED" is visible. The long side of the baffle should be inside the hood.



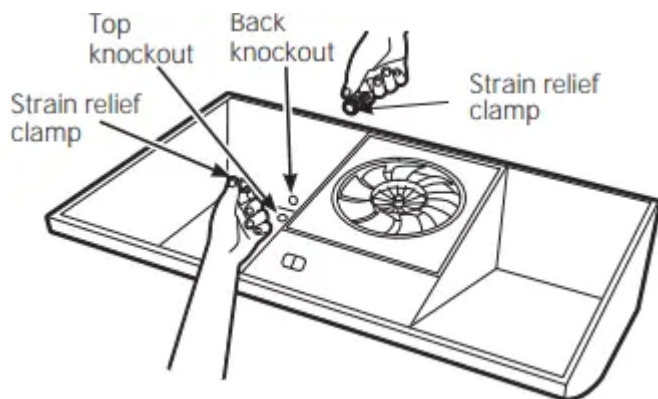
5. REMOVE WIRING COVER

- Remove the wiring cover from inside the hood. Set the cover and its mounting screws aside.



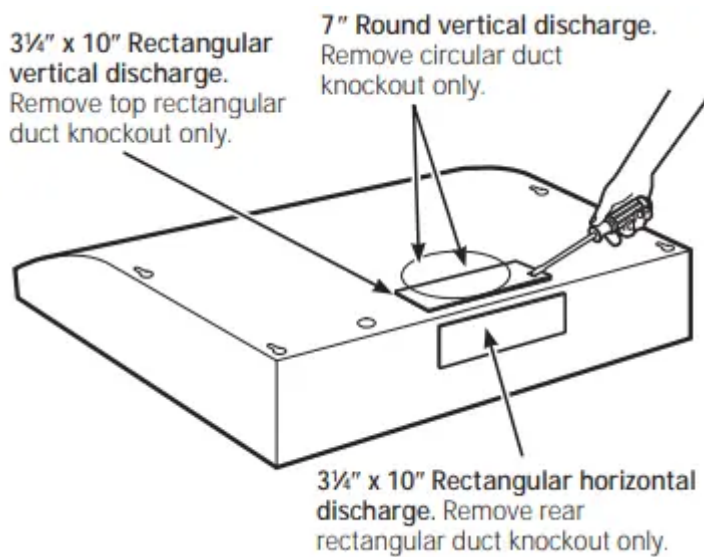
6. REMOVE WIRING KNOCKOUT

- Remove either the top or the back wiring knockout as needed and install an approved strain relief clamp.



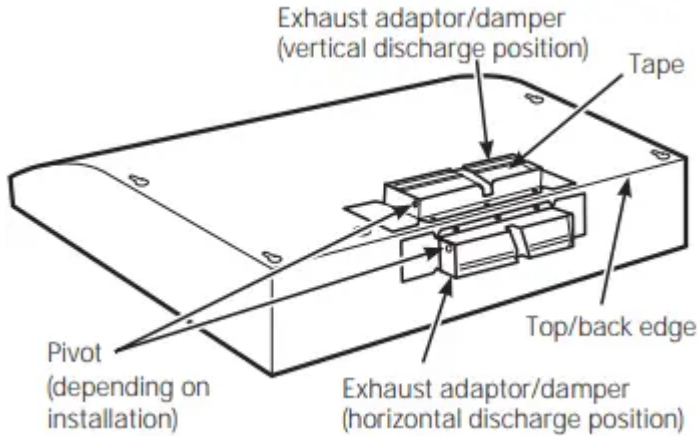
7. REMOVE DUCT KNOCKOUT

- If recirculating, non-vented ductless (JN327, JN328 and RN328, and optional for JV247, JV248, JV347, JV348, JV367 and AV447 models only), skip to Step 11 D and proceed.
- Using a flat-blade screwdriver, remove the appropriate duct knockout from the top or back of the hood.



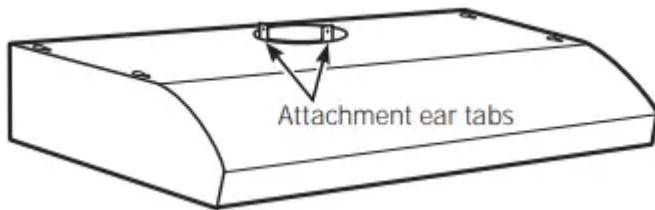
8. FOR 3-1-4" X 10" RECTANGULAR DUCTED DISCHARGE INSTALLATIONS ONLY:

- Attach exhaust adaptor/damper over the appropriate knockout opening (for vertical or horizontal, depending on installation) with two exhaust adaptor screws. Make sure damper pivot is nearest to top/back edge of hood. Remove tape from damper flap.

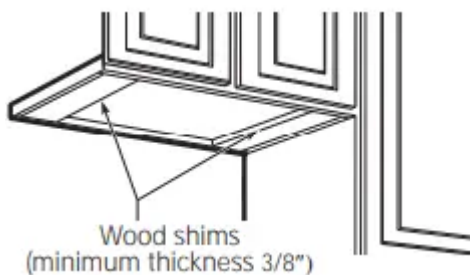


9. FOR 7" ROUND VERTICAL DUCTED DISCHARGE INSTALLATIONS ONLY:

- Bend up the duct alignment ears in preparation for later attachment of the 7" duct.



10. FOR RECESSED-BOTTOM CABINETS ONLY

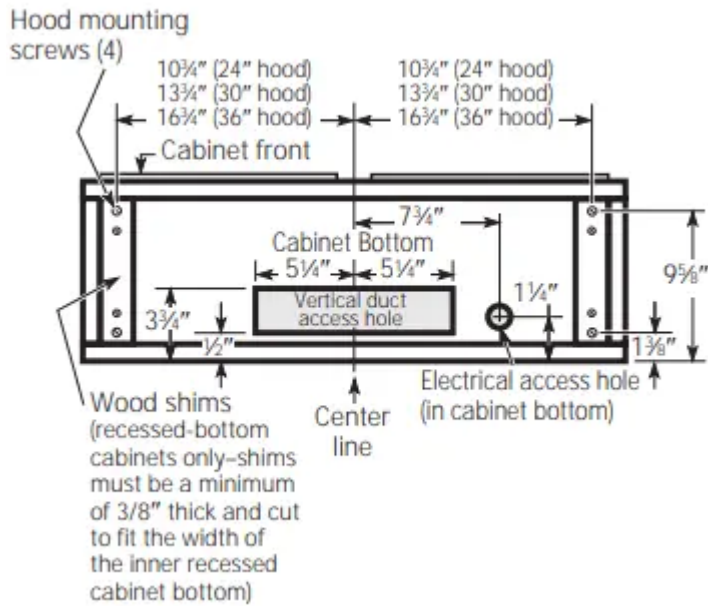


- If the cabinets have front, side or back trim, PDNH ZRRGVKLPVDPLQLPXPRIEWKLFN and cut to fit the width of the inner recessed cabinet bottom. Attach them to the cabinet bottom recess on both sides. See Step 11 for marking locations

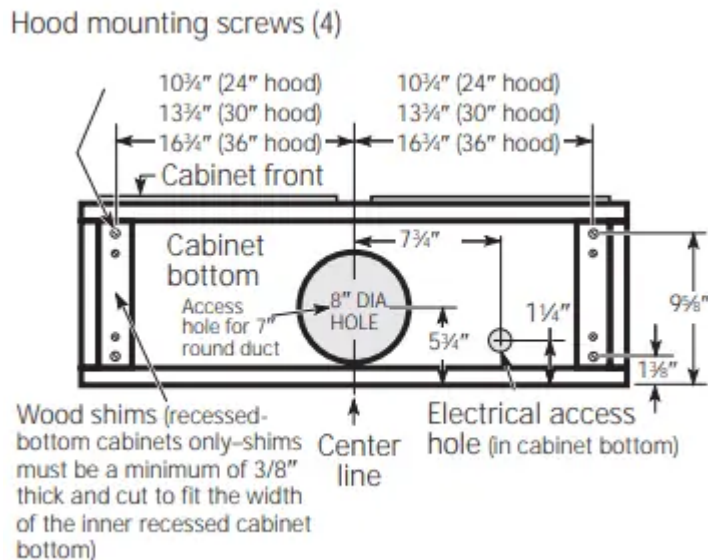
11. MARK HOLES

Select the vent option that your installation will require and proceed to that section:

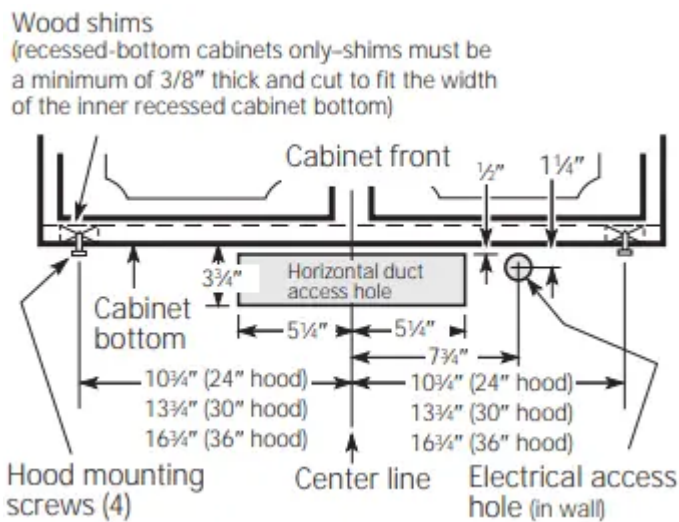
A. Outside top exhaust (Vertical duct–3-1/4" x 10" Rectangular) Use the diagram or the hood as a template and mark the locations on the cabinet for ductwork, electrical wiring and keyhole screw slots.



B. Outside top exhaust (Vertical duct–7" Round) Use the diagram or the hood as a template and mark the locations on the cabinet for ductwork, electrical wiring and keyhole screw slots.



C. Outside rear exhaust (Horizontal duct–3-1/4" x 10" Rectangular) Use the diagram or the hood as a template and mark the locations on the cabinet for ductwork, electrical wiring and keyhole screw slots.

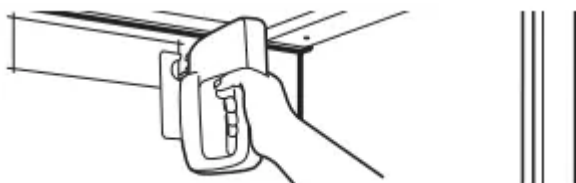


D. Recirculating (non-vented ductless— JN327, JN328 and RN328, and optional on JV247, JV248, JV347, JV348, JV367 and AV447 models only)

- Use the hood as a template and mark the locations on the cabinet for the electrical wiring and keyhole screw slots.
- Since the hood is to be recirculated (not to be vented outside), do not cut out any vent openings in the wall or cabinet bottom.

12. CUT HOLES

Cut holes at marked locations for duct and electrical wiring. For the vertical duct, cut out electrical wiring. For the vertical duct, cut out you can move the duct freely when installing the hood. It may also ease installation by cutting the hole 10 1/2" instead of 10"



13. RUN WIRES

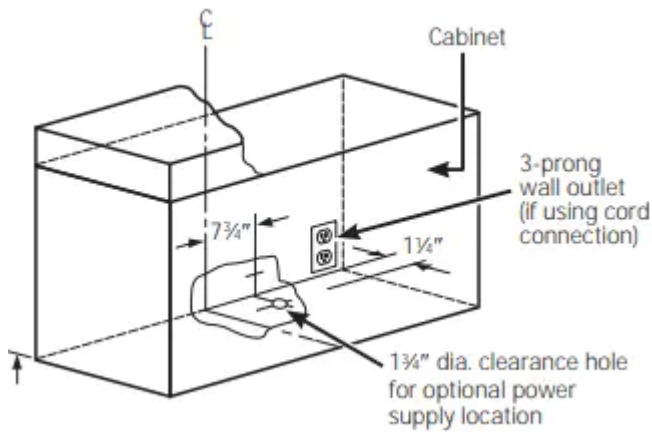
- Run the electrical wires through the wall or cabinet according to National Electrical Code and applicable local codes.
- NOTE: DO NOT turn the power on until installation is complete.

14. SCREW IN PART WAY

- Drive a mounting screw (from the hardware packet) part way into each center of the narrow neck of the keyhole slots marked on the cabinet bottom.

15. OPTIONAL POWER CORD KIT JXHC1

- An optional Power Cord Connection Kit, model JXHC1, is available at extra cost from your GE Appliances supplier for installation using a standard 3-prong, grounded wall outlet. Follow the Installation Instructions packed with the kit to connect the power cord to the range hood.



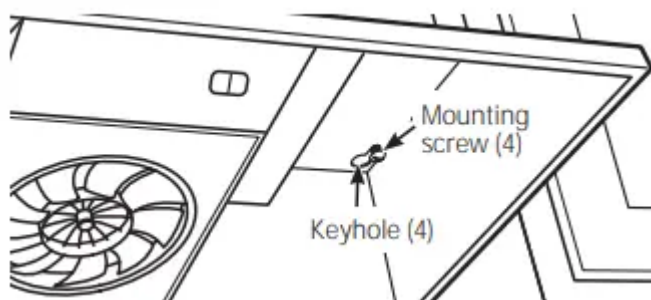
NOTE: If using optional Power Cord Kit JXHC1, feed the power cord through the hole in the top cabinet while raising the hood. Loop any excess length of cord and tie away with a suitable tape or tie.

16. FEED IN WIRES

- Lift the hood into position and feed the house wiring through the wiring knockout.

17. SECURE HOOD

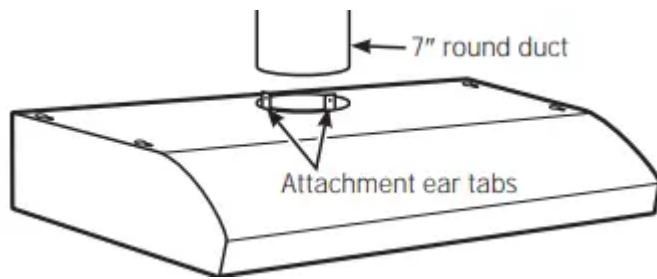
- Slide the hood back against the wall. Tighten the mounting screws. Be sure the screw heads are in the narrow neck of the keyhole slot.



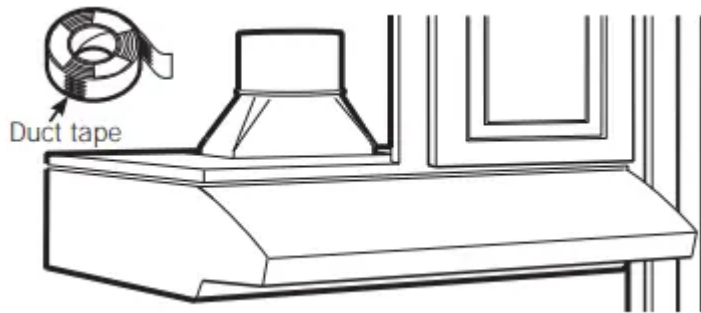
NOTE: DO NOT PUSH ON THE FAN BLADE. Pushing on the blade may cause it to interfere with other hood parts.

17. CONNECT DUCTWORK TO HOOD (Ducted installations only)

- On 7" round installation, attach the 7" duct with sheet metal screws through the holes in the alignment ears.



- Use duct tape to make joints secure and airtight.

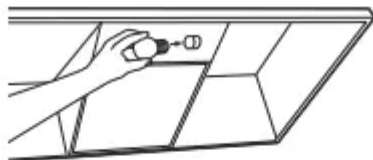


19. INSTALL LIGHT BULB

NOTE: A light bulb is not shipped with the hood. Obtain one locally. Purchase and install a type A15 incandescent light bulb with an ordinary screw base, not more than 60 Watts, or a type A17 or T2 Compact Fluorescent (CFL) light bulb with an ordinary screw base, not more than 13 Watts.

NOTE: Use only incandescent bulbs in models RN328, JN327, JN328 and JV338.

IMPORTANT: For installation, handling and disposal precautions, refer to the fluorescent bulb packaging literature.



When using an energy saving bulb in your GE Appliances hood, make sure you use either:



GE Long Life Energy
Smart[™] Spiral[™] T2
Product Code: 85383
Description:
FLE13HT2/2/SW/CD

or



GE Long Life Energy
Smart[™] A17
Product Code: 47486
Description:
FLE11/2/A17XL/CD
Available at
www.gelighting.com

20. FOLLOW ELECTRICAL CODE

- Complete the electrical wiring according to National Electrical Code and local codes.

NOTE: This hood must be permanently grounded. Connect house wiring (120 VAC) to hood wiring.

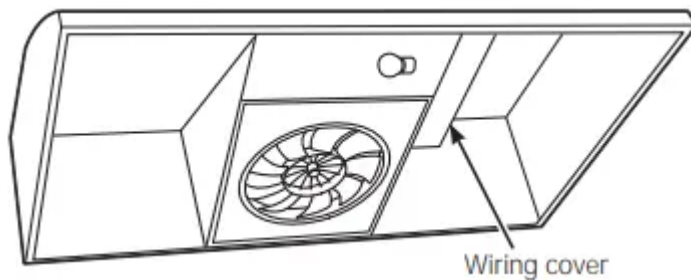
21. CONNECT WIRING

- Connect house black to hood black wire, house white to hood white wire and house ground under green ground screw. Securely tighten the strain relief clamp onto the house wiring.



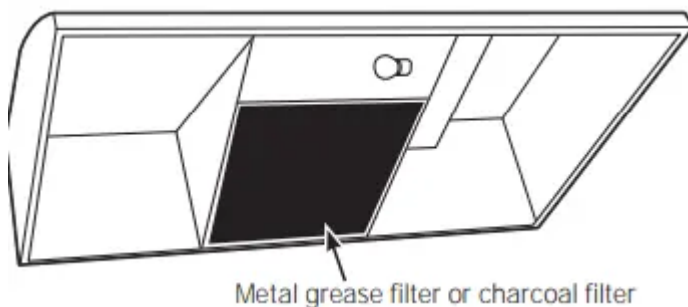
WARNING: IMPROPER CONNECTION OF ALUMINUM HOUSE WIRING TO THESE COPPER LEADS CAN RESULT IN A SERIOUS PROBLEM. USE ONLY CONNECTORS DESIGNED FOR JOINING COPPER TO ALUMINUM AND FOLLOW THE MANUFACTURER'S RECOMMENDED PROCEDURE CLOSELY.

22. REPLACE WIRING COVER



23. REPLACE FILTER

- Make sure fan blade turns freely and replace the filter. NOTE: Install the metal grease filter if ducted or the charcoal filter if recirculated.



- The installation is complete. Turn on power at service panel, and test for proper operation

TROUBLESHOOTING CHECKLIST

If the hood seems to be operating at high speed when the control is not set on high, or if ventilation seems inadequate, check the following:

- Knockouts not removed from hood.
- Damper blade not opening.
- Reduced airflow because the duct is too small or the duct length is too long.
- The duct is blocked.
- Undersized or restrictive wall or roof cap.

If the hood seems to make excessive noise:

- Fan may be hitting the filter. Turn off the fan and remove the filter. Bend the filter down slightly in the center (into a dome shape) to allow fan clearance. Reinstall and adjust as needed.

The fan does not work but the lights do:

- Switch power off at the service panel and lock the service disconnecting means to prevent power from being switched on accidentally. When the service disconnecting means cannot be locked, securely fasten a prominent warning device, such as a tag, to the service panel.
- Check the wiring connections. See the CONNECT WIRING section in these Installation Instructions.

Troubleshooting tips

... Before you call for service

Save time and money! Review the charts on the following pages first and you may not need to call for service.

Problem	Possible Cause	What To Do
Fan/Light does not operate	A house fuse may be blown or a circuit breaker tripped.	Replace fuse or reset circuit breaker.
Loud or abnormal airflow noise	Wrong duct size used in installation.	Using smaller duct pipe will cause reduced airflow. Minimize the duct run length and number of transitions and elbows. GE Appliances service technicians cannot correct this issue if installed improperly.
Fan fails to circulate air or moves air slower than normal and/or fan is making loud or abnormal airflow noise	Obstructions in duct work.	Make sure nothing is blocking the vent. Make sure your wall or roof cap has a blade or door.
	Damper blade on wall or roof cap may not be open.	Make sure damper swings freely. Damper blade may flip over and will not fully open when the fan starts. Adjust to original position.
	Metal grease filter and charcoal filter (if present) may be dirty.	Clean the metal grease filter and replace charcoal filter (if present). See Care and Cleaning of Range Hood.
	Insufficient makeup (replacement) air	Sufficient makeup (replacement) air is required for exhausting appliances to operate to rating. Consult with local building codes, which may require mechanical ventilation. We strongly advise the use of makeup air. Visit GEAppliances.com for available makeup air solutions.
Early light failure	Light wattage is too high.	Replace with correct wattage.

Warning

This content is compiled from multiple sources and is provided for reference purposes only. It may not be complete or fully applicable to all situations. If you are unable to resolve your issue, please contact the product manufacturer or an authorized service provider for official support.