

OWNER'S MANUAL WASHING MACHINE

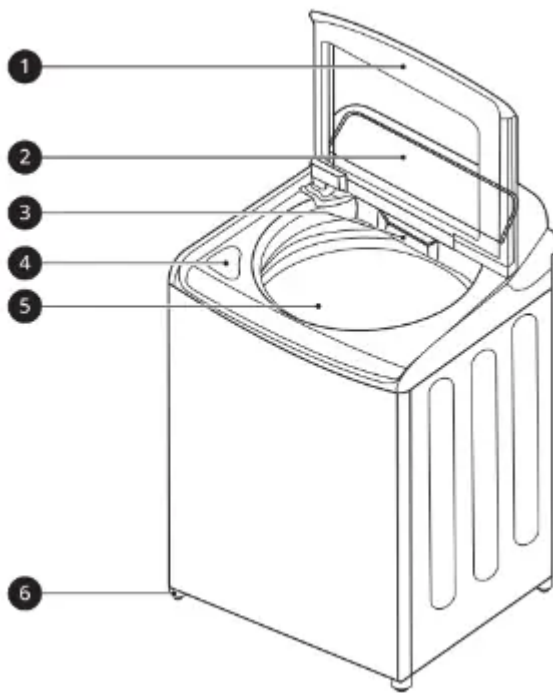
PRODUCT OVERVIEW

Product Features

The images in this guide may be different from the actual components and accessories, which are subject to change by the manufacturer without prior notice for product improvement purposes.

NOTE: For your safety and for extended product life, use only authorized components. The manufacturer is not responsible for product malfunction, property damage, or bodily injury caused by the use of separately purchased unauthorized components, parts, or non-LG products.

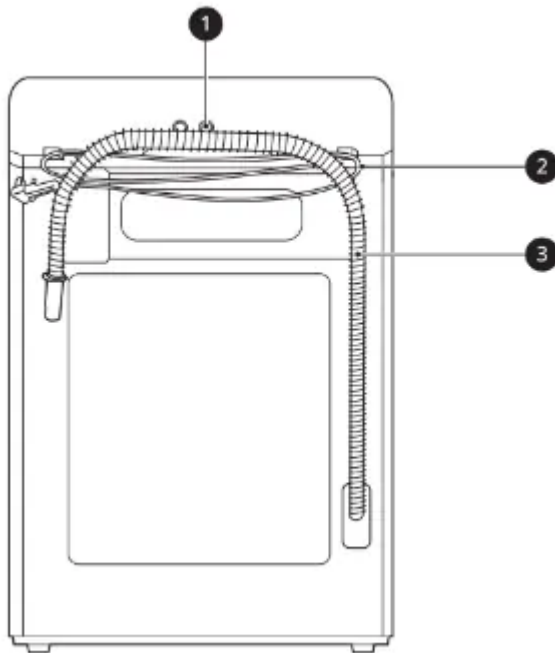
Front View



- 1 Lid
- 2 Control Panel
- 3 Detergent Dispenser Drawer
- 4 Liquid Bleach Compartment
- 5 Tub

6 Leveling Feet

Rear View



1 Water Inlets

2 Power Cord

3 Drain Hose

Accessories

Included Accessories



1

1 Tie Strap

Required Accessories



1 Hot and Cold Water Hoses

Product Specifications

The appearance and specifications listed in this manual may vary due to constant product improvements.

Model	WT7305C*
Electrical Requirements	120 VAC @ 60 Hz
Min. / Max. Water Pressure	20 - 120 psi (138 - 827 kPa)
Dimensions (Width X Depth X Height)	27" X 28 3/8" X 44 1/2" (68.6 cm X 72.1 cm X 113 cm)
Maximum Height with Lid Open	57 1/4" (145.3 cm)
Net Weight	130.0 lb (59 kg)
Max. Spin Speed	950 RPM (±50 rpm)

INSTALLATION

Before Installing

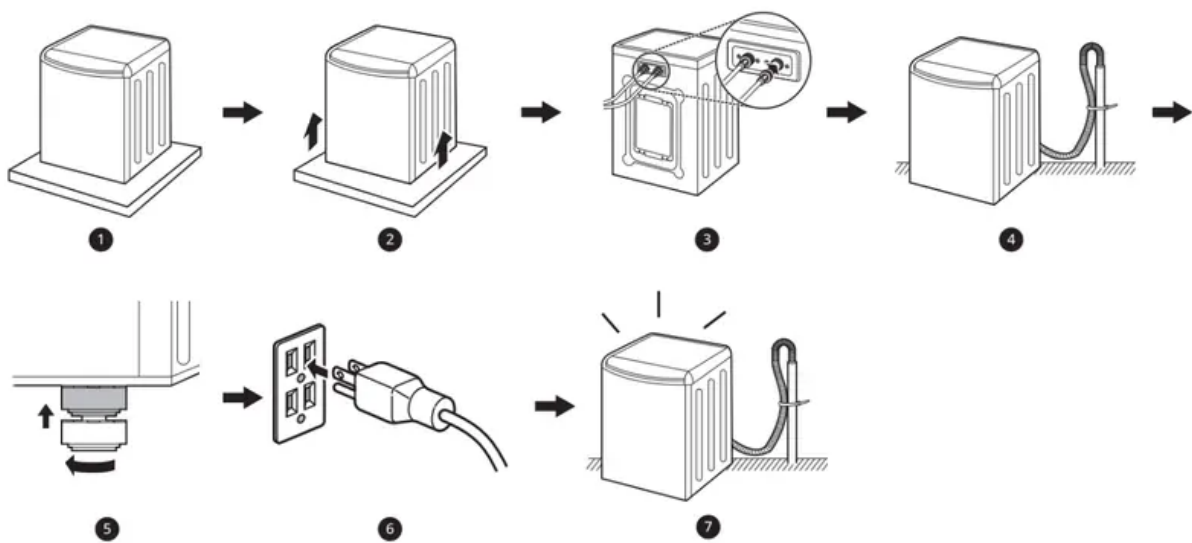
WARNING

- Moving or installation of the appliance requires two or more people. Failure to follow these instructions may result in injury.
- Store and install the appliance where it will not be exposed to temperatures below freezing or exposed to outdoor weather conditions. Failure to follow this warning can cause product or part failure, serious injury, fire, electric shock, or death.
- Properly ground the washer to conform with all governing codes and ordinances. Failure to follow this warning can cause serious injury, fire, electric shock, or death.
- To reduce the risk of electric shock, do not install the appliance in humid spaces. Failure to follow this warning can cause serious injury, fire, electric shock, or death.
- To ensure proper airflow, do not block the large opening on the bottom of the washer with carpeting or other materials.

- Do not remove the ground prong from the power cord. Do not use an adapter or extension cord. Plug into a grounded 3-prong outlet. Failure to follow this warning can cause serious injury, fire, electric shock, or death.
- Certain internal parts are intentionally not grounded and may present a risk of electric shock only during servicing. Service personnel - Do not contact the following parts while the appliance is energized: pump, motor, noise filter cover, and heater (on applicable models).

Installation Overview

Please read the following installation instructions first after purchasing this washer or transporting it to another location.



1. Choosing the Proper Location
2. Unpacking and Removing Shipping Material
3. Connecting the Water Inlet Hoses
4. Connecting the Drain Hose
5. Leveling the Washer
6. Connecting to the Power Supply
7. Final Installation Check

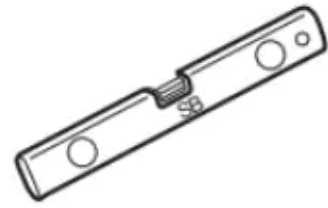
Tools Needed



1



2



3

1. Pliers
2. Flat-Blade Screwdriver
3. Level

Choosing the Proper Location

Check the following requirements for the install location before installing the washer.

- Allow for sufficient space between the walls and the washer for installation.
- Make sure that the floor is clean, dry, and free of dust, dirt, water, and oil so the leveling feet cannot slide easily. Leveling feet that can move or slide on the floor can contribute to excess vibration and noise.
- If the floor has too much flex, reinforce it to make it more rigid. If the floor is not solid, it may cause severe vibration and noise.

Power Outlet

The power outlet must be within 60 inches (1.5 m) of either side of the washer.

- Position the washer so that the outlet and plug are easily accessible.
- Do not overload the outlet with more than one appliance.
- The outlet must be grounded in accordance with current electrical wiring codes and regulations.
- Use a time-delay fuse or circuit breaker.
- It is the personal responsibility and obligation of the washer owner to have a proper outlet installed by a qualified electrician.

Flooring

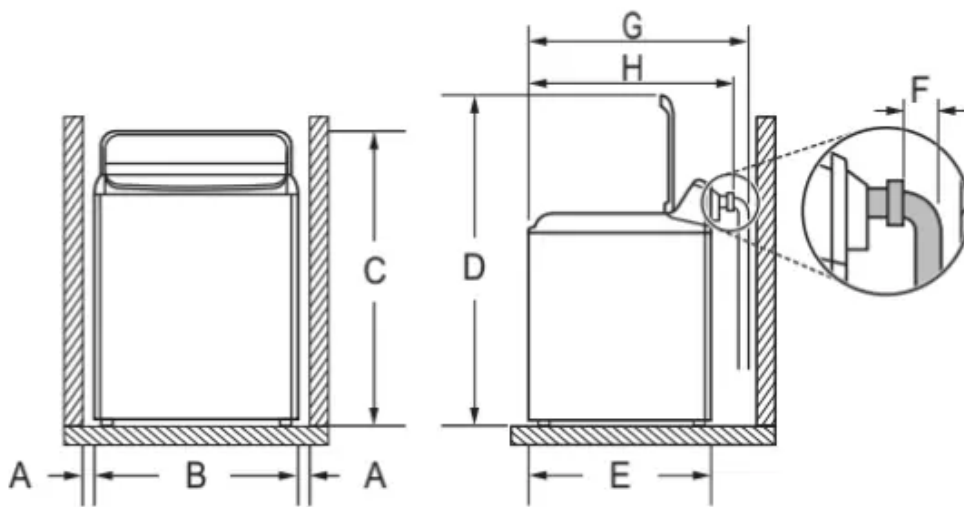
- To minimize noise and vibration, install the washer on a level, solidly constructed floor capable of supporting the washer without flexing or bouncing.
- The washer must be installed on firm flooring to minimize vibration during the spin cycle. Concrete flooring is best, but a wood floor is sufficient, provided it is built to FHA standards.

- The floor under the washer must not slope more than **1 inch (2.5 cm)** from front to back or side to side.
- Installing on carpeting and soft tile surfaces is not recommended.
- Never install the washer on a platform or weakly supported structure.

Floor Installation

To ensure sufficient clearance for water inlet hoses, drain hoses, and airflow, allow minimum clearances of at least **1 inch (2.5 cm)** at the sides and **4 inches (10 cm)** behind the washer. Be sure to allow for wall, door, or floor moldings that may increase the required clearances.

The minimum vertical space from floor to overhead shelves, cabinets, ceilings, etc., is **58 inches (147 cm)**.



Dimensions and Clearances	
A	1" (2.5 cm)
B	27" (68.6 cm)
C	44 1/4" (112.4 cm)

D	57 1/4" (145.3 cm)
E	26 3/4" (68 cm)
F	3 1/2" (9 cm)
G	32" (81.1 cm)
H	28 3/8" (72.1 cm)

Unpacking and Removing Shipping Material

Remove all shipping materials from the washer for proper operation and inspect them for shipping damage.

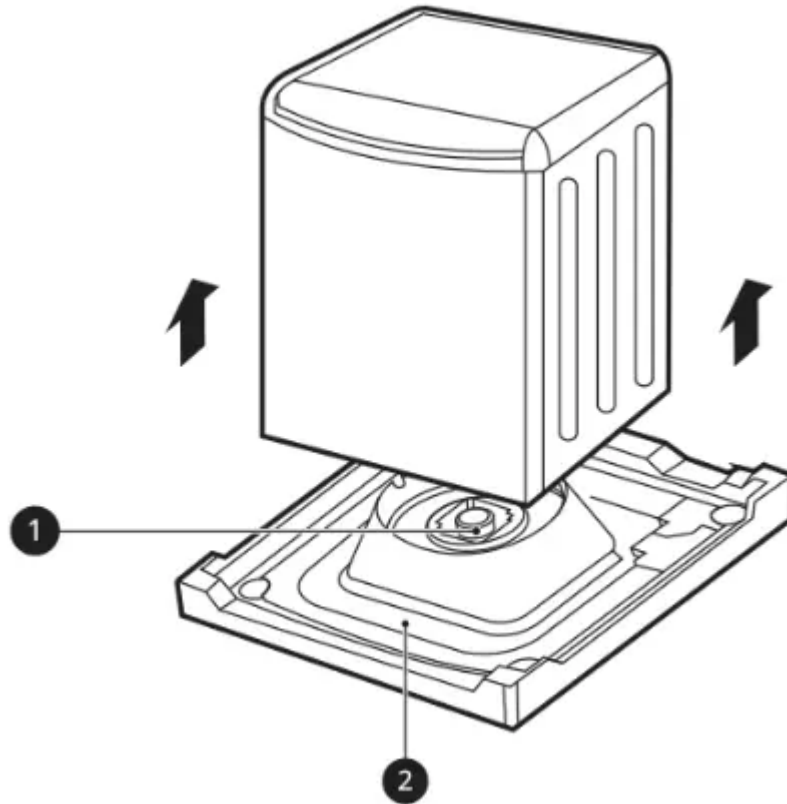
CAUTION: Failure to remove shipping materials can cause excessive noise and vibration.

Unpacking Shipping Material

1. Lift the washer off of the foam base.

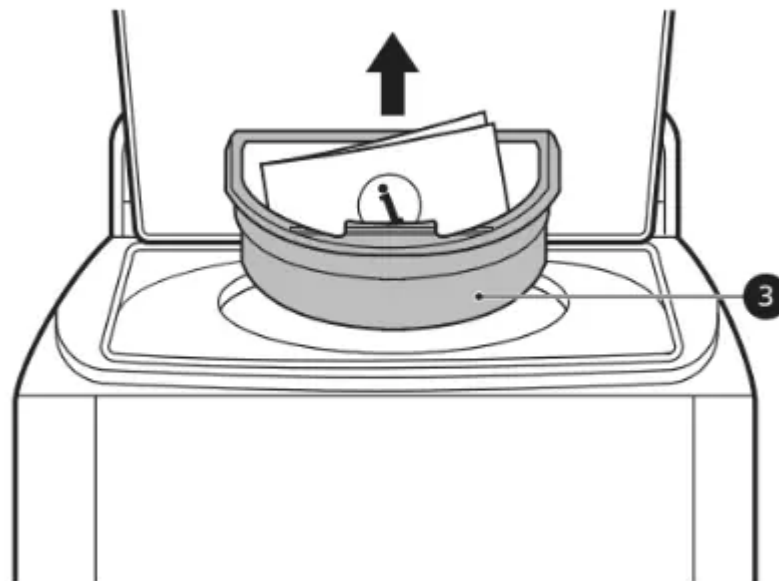
- After removing the carton and shipping material, lift the washer off the foam base.
- Make sure the plastic tub support **1** comes off with the base and is not stuck to the bottom of the washer.
- If you must lay the washer down to remove the carton base **2**, always protect the side of the washer and lay it carefully on its side. Do not lay the

washer on its front or back.



2. Remove the foam tub insert.

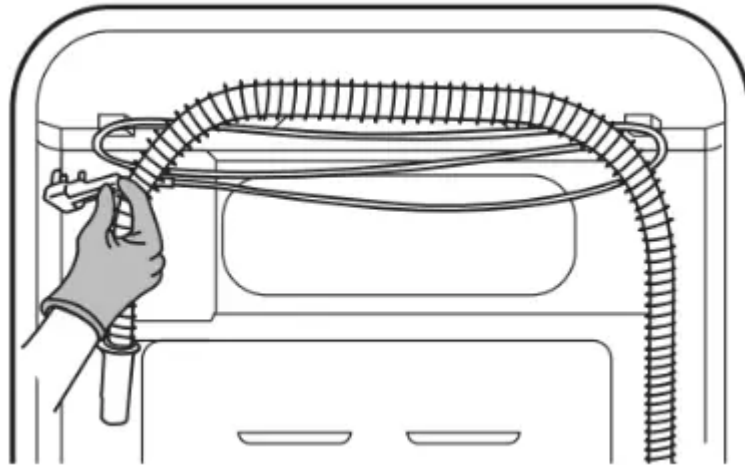
° To prevent damage, do not remove the foam insert **3** containing the owner's manual, parts, and laundry product samples from the tub until the washer is in the final location.



NOTE: Once removed, save the foam insert for future use. If the washer needs to be moved, the foam insert will help prevent damage during transportation.

3. Unfasten the power cord.

- Unfasten the power cord from the back of the washer.



Connecting the Water Inlet Hoses

To avoid the risk of costly water damage, purchase and install new inlet hoses when installing the washer.

WARNING

- Do not overtighten the hoses or cross-thread the hose fittings. Overtightening or cross-threading can damage the valves or couplings, resulting in leaking and property damage.
- Do not reuse old hoses. Use only new hoses when installing the washer. Old hoses could leak or burst causing flooding and property damage. Contact an LG Customer Information Center for assistance in buying hoses.

NOTE

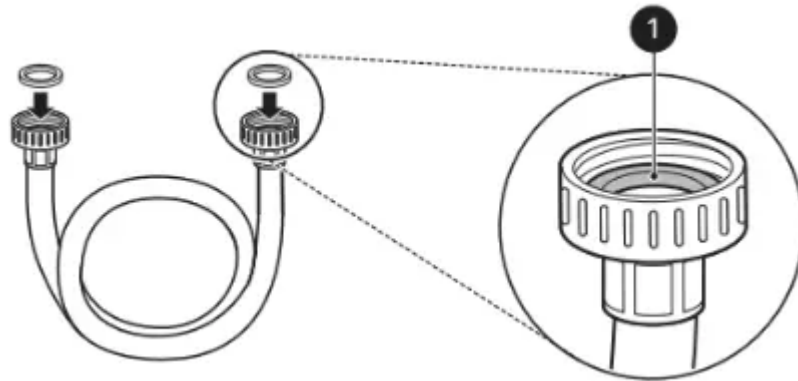
- Periodically check the hoses for cracks, leaks, and wear, and replace the hoses every five years.
- Do not stretch the water hoses intentionally, and make sure that they are not pinched, crushed, or kinked by other objects.
- Water supply pressure must be between 20 psi and 120 psi (138 - 827 kPa). If the water supply pressure is more than 120 psi, a pressure-reducing valve must be installed.
- Your hot water heater should be set to deliver water at 120 - 135°F (48 - 57°C) to allow the washer to properly control wash temperatures.
- Do not store or install the washer in a location subject to freezing temperatures. Damage to the water inlet hoses and internal mechanisms of the washer can result. If the washer was exposed to freezing temperatures prior to installation, allow it to stand at room temperature for several hours before use and check for leaks prior to operation.

- Do not use flood-preventing hoses with auto-shutoff devices. The devices can be tripped during fill and prevent the washer from filling properly.

How to Connect the Water Inlet Hoses

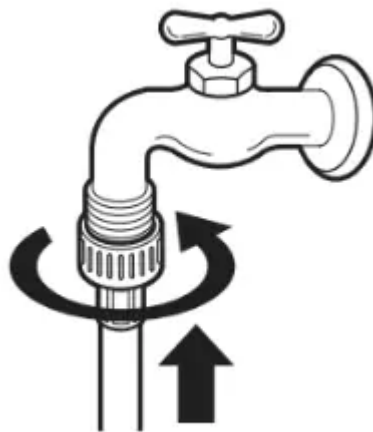
1. Check the fittings and seals.

- Inspect the threaded fitting on each hose and make sure there is a rubber seal **1** in place on both ends of each hose to prevent leaking.



2. Connect the water supply hoses.

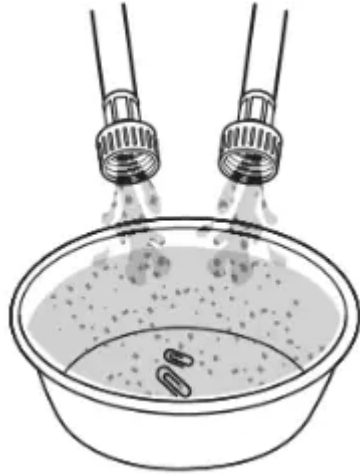
- Connect the water inlet hoses to the hot and cold water faucets tightly by hand and then tighten another 2/3 turn with pliers.
- Connect the blue hose to the cold water faucet and the red hose to the hot



water faucet.

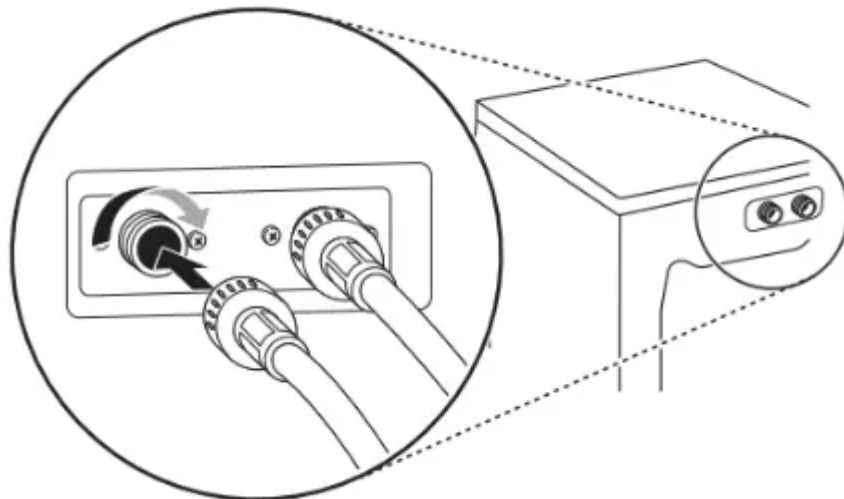
3. After the hoses are connected, turn on the water faucets and flush out any foreign substances such as dirt, sand, or sawdust.

- Let the water drain into a bucket, and check the water temperature to make sure you've connected the hoses to the correct faucets.



4. Attach the inlet hoses to the back of the washer.

- Attach the hot water inlet hose to the hot water inlet on the back of the washer. Attach the cold water inlet hose to the cold water inlet on the back of the washer.
- Tighten the fittings securely. Turn on both faucets all the way and check for leaks at both ends of the hoses.



Connecting the Drain Hose

Connect the drain hose to either a standpipe or laundry tub.

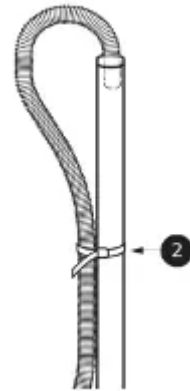
WARNING: The drain hose should always be properly secured. Failure to properly secure the drain hose can result in flooding and property damage.

NOTE

- The drain must be installed in accordance with any applicable local codes and regulations.
- Make sure that the drain hose is not stretched, pinched, crushed, or kinked.
- Do not install the drain hose with the end lower than **29.5 inches (75 cm)** or higher than **96 inches (244 cm)** above the bottom of the washer or more than **60 inches (152 cm)** away from the washer.
- Never create an airtight seal between the hose and the drain with tape or other means. If no air gap is present, water can be siphoned out of the tub resulting in poor wash/rinse performance or clothing damage.

Using a Standpipe to Drain

1. Insert the end of the drain hose into the standpipe.
- 2.

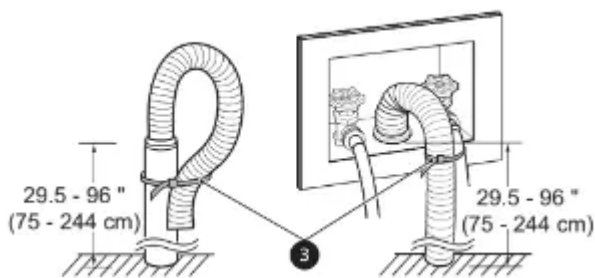


Use the provided tie strap **1** to secure the drain hose in place.

3. If the water valves and drain are built into the wall, fasten the drain hose to one of the water hoses with the provided tie strap **2** (ribbed side on inside).

CAUTION: Do not insert the end of the drain hose into the standpipe more than **8 inches (20 cm)**. Doing so can cause siphoning, odors, or improper draining.

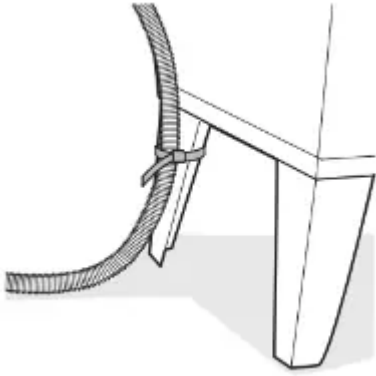
NOTE: If the drain is large enough for the flange on the hose to fit inside, then do not insert the flange more than 1 - 2 inches into the drain.



Using a Laundry Tub to Drain

1. Hang the end of the drain hose over the side of the laundry tub.

2. Use the provided tie strap to secure the drain hose in place.



Leveling the Washer

The tub of the washer spins at very high speeds. To minimize vibration, noise, and unwanted movement, the floor must be a solid, level surface.

CAUTION

- Using the washer without leveling may cause excessive vibration and noise, leading to a washer malfunction.
- Adjust the leveling feet only as far as necessary to level the washer. Extending the leveling feet more than necessary can cause the washer to vibrate.

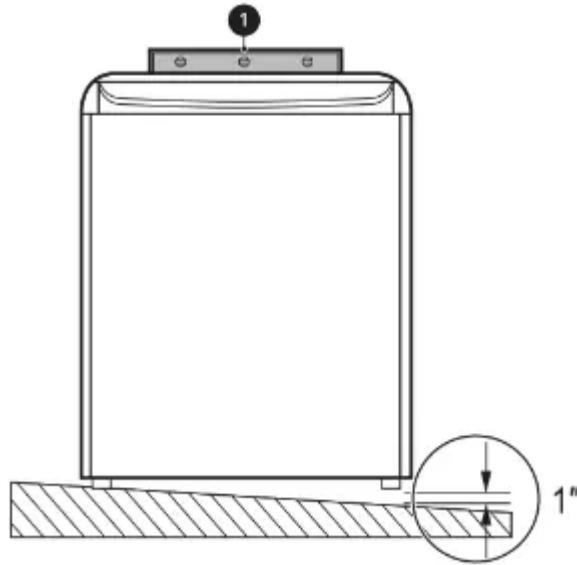
NOTE

- Before installing the washer, make sure that the floor is clean, dry, and free of dust, dirt, water, and oil so the washer's feet cannot slide easily. Feet that move or slide on the floor can contribute to excessive vibration and noise.

How to Level the Washer

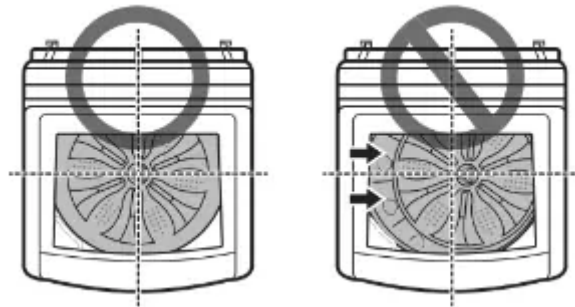
1. Position the washer in its final location.
 - Take special care not to pinch, strain, or crush the water and drain hoses. If you have a carpenter's level **1**, you can use it to check that the washer is level. The slope beneath the washer should not exceed **1 inch**, and all 4

leveling feet must rest firmly on the floor.



2. Open the lid and look from above to see if the tub is centered.

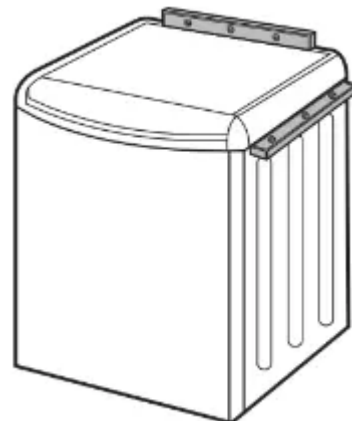
- If the tub is not centered, readjust the front feet. If you have a level, check the



washer with the level.

NOTE

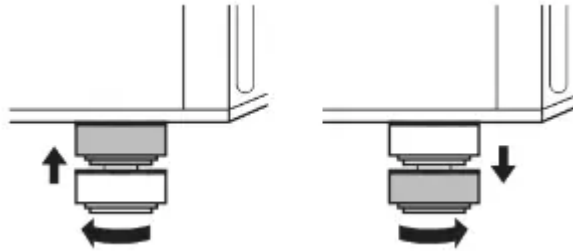
- To check if the washer is leveled from side to side, place a level on the back edge of the lid.
- To check if the washer is level from front to back, place a level on the edge where the cabinet side meets the top cover. Do not place the level on the top of the lid. Using these surfaces will result in the



washer being unlevel.

3. Adjust the leveling feet.

- Turn all 4 leveling feet in one direction to raise the washer or in the other



direction to lower it.

4. Recheck the washer's level.

- Push or rock the top edges of the washer gently to make sure the washer does not rock. If the washer rocks, readjust the leveling feet.
- If the lid does not stay open properly, extend the front leveling legs until the washer is leveled from front to back.

Final Installation Check

Connecting to the Power Supply

Plug the washer into a 120 VAC, 60 Hz grounded 3-prong outlet.

WARNING

- Do not use a worn or damaged power cord or power plug. Replace or repair it immediately. Failure to do so may result in death, fire, electric shock, or malfunction.
- Do not modify the power cord and plug provided with the appliance. Do not damage it when installing or moving the appliance. Doing so may result in death, fire, electric shock, or malfunction.
- Make sure that the appliance is grounded.
- Connect this appliance to a grounded outlet conforming to the rating prior to use. Failure to do so may result in fire, electric shock, or malfunction.
- Do not damage or cut off the ground prong of the power cord. Doing so may cause death, fire, electric shock, or product malfunction.
- Improper connection of the equipment-grounding conductor can result in a risk of electric shock. Check with a qualified electrician or service technician if you are in doubt as to whether the appliance is properly grounded. If it does not fit the outlet, have a proper outlet installed by a qualified electrician. The appliance and outlet must be positioned so that the plug is easily accessible.
- Do not use adapters or extension cords. Doing so may result in serious injury, fire, electric shock, or death.

- For best performance, plug the appliance into its own individual outlet. This helps prevent overloading house wiring circuits which could cause a fire hazard from overheated wires.
- If necessary, use a new, UL-listed 3-prong (grounding) plug rated at no less than the branch circuit. Do not use an extension cord longer than 3 feet. Failure to follow these warnings may result in serious injury, fire, electric shock, or death.

Testing the Washer

Check if the washer is properly installed and run a test cycle.

1. Make sure that the tub is empty. Do not load anything in the tub for this test.
2. Press the **Power** button.
3. Press and hold the **Spin** and **Soil** buttons simultaneously until an **In S** code appears in the display.
 - **In** is displayed first, and **S, SO, or SE** is displayed.
 - **In S** : Initial test
 - **In SO** : Previous test result was good.
 - **In SE** : The previous test ended with an error.
 - The indication is different for each model.
4. Press the **Start/Pause** button.
 - The test will run for about 3 minutes.
 - The test automatically checks the water inlet hoses and the drain hose.
5. Check the display for results.
6. At the end of the test cycle, **End or 0** will display. The washer will shut off automatically after a short delay.

Installation Check Error Codes

Refer to the chart below before calling for service.

Error Code **IE**

- Fully open the water faucet.
- Straighten out any kinks in the inlet hoses and make sure the hoses are not pinched against the wall or under the washer.

Error Code **DE**

- Straighten out any kinks in the drain hose and make sure the hose is not pinched against the wall or under the washer.

- Remove and flush out the drain hose to remove clogs.
- Adjust or repair the drain. Maximum drain height is 96 inches.

OPERATION

Before Use

Operation Overview

1. Sort laundry and load the washer.
 - Sort laundry by fabric type, soil level, color, and load size, as needed. Open the lid and load items into the washer.
 - If using single-use detergent packs, place the pack into the tub before loading the laundry.
2. Add cleaning products.
 - Add the proper amount of HE (High-Efficiency) detergent to the detergent dispenser.
 - If desired, add bleach or fabric softener to the appropriate dispensers.
 - Do not place liquid or powdered detergent packs in the dispenser.
3. Turn on the washer.
 - Press the **Power** button to turn on the washer.
 - The lights above the cycle buttons will illuminate and a chime will sound.
4. Select a cycle.
 - Turn the cycle selector knob or press the cycle buttons repeatedly until the desired cycle is selected.
 - The preset wash temperature, spin speed, soil level, and option settings for the selected cycle are shown.
 - The **Normal** cycle must be selected in order to change its default settings.
 - Pressing the **Start/Pause** button without selecting a cycle immediately starts the **Normal** cycle with the default settings.
5. Adjust settings.
 - Default settings for the selected cycle can be changed, if desired, using the cycle modifier and option buttons.
 - Not all modifiers and options are available on all cycles. A different chime sounds and the LED does not light up if the selection is not allowed.

6. Begin cycle.

- Press the **Start/Pause** button to begin the cycle. The lid locks and the washer agitate briefly without water to measure the weight of the load.
- If the **Start/Pause** button is not pressed within a certain time, the washer shuts off and all settings are lost.

7. If necessary, add additional items to the tub while the **Add Garment** light is on.

- This light turns on at the beginning of the wash cycle to indicate when it is safe to add items to the tub.
- Press the **Start/Pause** button to pause the cycle and add items to the tub. Press the **Start/Pause** button to resume the cycle.
- Adding items after the **Add Garment** light turns off may result in poor wash performance.

8. End of cycle.

- When the cycle is finished, a melody sounds. Immediately remove the clothing from the washer to reduce wrinkling.
- If the washer includes lint filters, remember to check lint filters after every 2 to 3 loads.

Sorting Laundry

CAUTION

- The washer can be fully loaded, but the tub should not be tightly packed with items. The lid of the washer should close easily.
- Use the **Bedding** cycle for buoyant or nonabsorbent items such as pillows or comforters. Failure to follow this caution can result in leakage.
- Clothing or articles that are waterproof or water-resistant must be washed in the **Waterproof** cycle only. (Examples include water-resistant clothing, mattress covers, outdoor clothes, and plastic mats.) Using another cycle may result in personal injury or damage to the washer, clothes, walls, floor, and surrounding objects due to abnormal vibration.

Grouping Similar Items

For the best washing results, and to reduce the possibility of damage to clothing, sort clothing into loads made up of similar items.

Mixing different fabric types and/or soil levels can result in poor wash performance, color transfer, discoloration, fabric damage, or linting. Fabrics should be sorted into groups as described below.

Colors

Sort articles by color. Wash dark clothes separately from light colors or whites. Mixing dark clothes

with light clothes can result in dye transfer or discoloration of the lighter clothes.

Soil Level

Wash heavily soiled clothing together. Washing lightly soiled clothing in the same load as heavily soiled clothing could result in poor wash performance for the lightly soiled clothing.

Fabric Type

Delicate articles should not be mixed with heavy or sturdy fabric types. Washing heavy fabrics with delicates can result in poor wash performance for the heavy fabrics and possible damage to the delicates.

Lint Type

Some fabrics attract and bind lint to them while others give off lint in the laundry process. Avoid mixing these lint collectors and lint producers in the same load. Mixing these fabrics will result in pilling and linting on the lint collectors. (For example, lint collector-knit sweater; lint producer terry cloth towels.)












How to Sort Laundry

By Colors	By Soil	By Fabric	By Lint
White	Heavy	Delicates	Lint Producer
Lights	Normal	Easy Care	Lint Collector
Darks	Light	Sturdy	

Fabric Care Labels

Many articles of clothing include a fabric care label. Using the chart below, adjust the cycle and option selections to care for your clothing according to the manufacturer's recommendations.



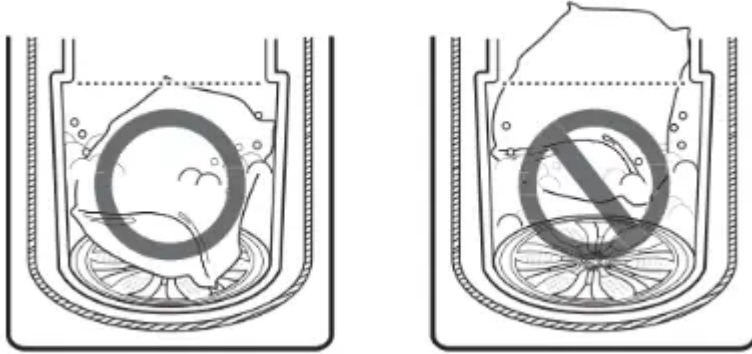
Category	Label	Directions
 Washing		Hand wash
		Machine wash, Normal cycle
		Perm Press/Wrinkle Resistant setting (which has a cool down or cold spray before the slower spin)
		Gentle/Delicate setting (slow agitation and/or reduced wash time)
		Do not wash
		Do not wring
Water Temperature	...	Hot
	..	Warm
	.	Cold/Cool
 Bleach Symbols		Any bleach (when needed)
		Only non-chlorine bleach (when needed)
		Do not bleach

Loading the Washer

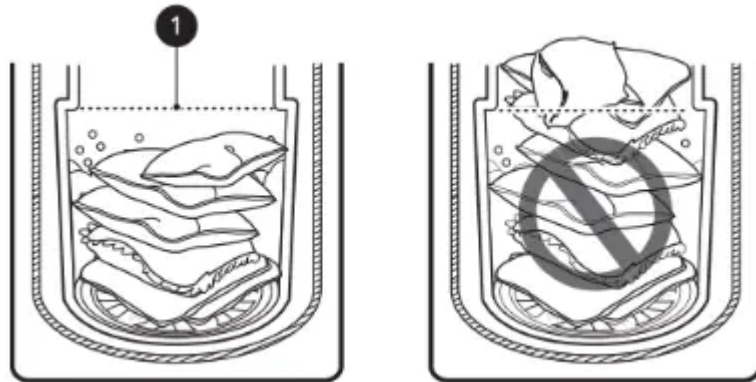
General Tips

- Check and empty pockets. Paper clips, coins, matches, etc. can damage clothing and the washer.
- Close zippers and hooks, and tie drawstrings to prevent snagging or tangling of clothes.
- Pretreat heavily stained areas for best results.
- Brush off heavy soil, dust, and hair from items before washing. Excess dirt or sand can abrade other fabrics and lead to poor wash performance.
- Combine large and small items in the tub. Load large items first. Large items should not be more than half of the total load.

- For best results, load dry items only. If washing very wet items, wring out excess water before loading or run a **Spin Only** cycle to extract excess water before adding detergent and starting the desired cycle.
- The washer can be fully loaded, but the tub should not be tightly packed with items. The lid of the washer must close easily.



- The washer will not fill or operate with the lid open.
- Do not overload the tub. Clothes should fit loosely in the tub under the maximum fill line
 1. Loading clothes over the fill line may result in damage to clothing and the washer.
 - Do not press down on items while stacking them in the tub.
 - Load clothes loosely, and do not overfill the tub. Clothes need room to circulate in order to get clean.



Bulky Items

- Do not wash entire pillows or cushions. Remove the pillow or cushion inserts and wash the covers only.
- Use the **Bedding** cycle for large or bulky items such as poly-filled jackets, comforters, pillows, etc. These items may not be as absorbent as other laundry items and should be sorted into a separate wash load for best performance.
- Bulky items should be placed as far down in the tub as possible for the best performance. Always place buoyant items at the bottom of the tub. The washer will automatically detect the load size. Because of the high-efficiency wash system, the water

level may not completely cover the load.

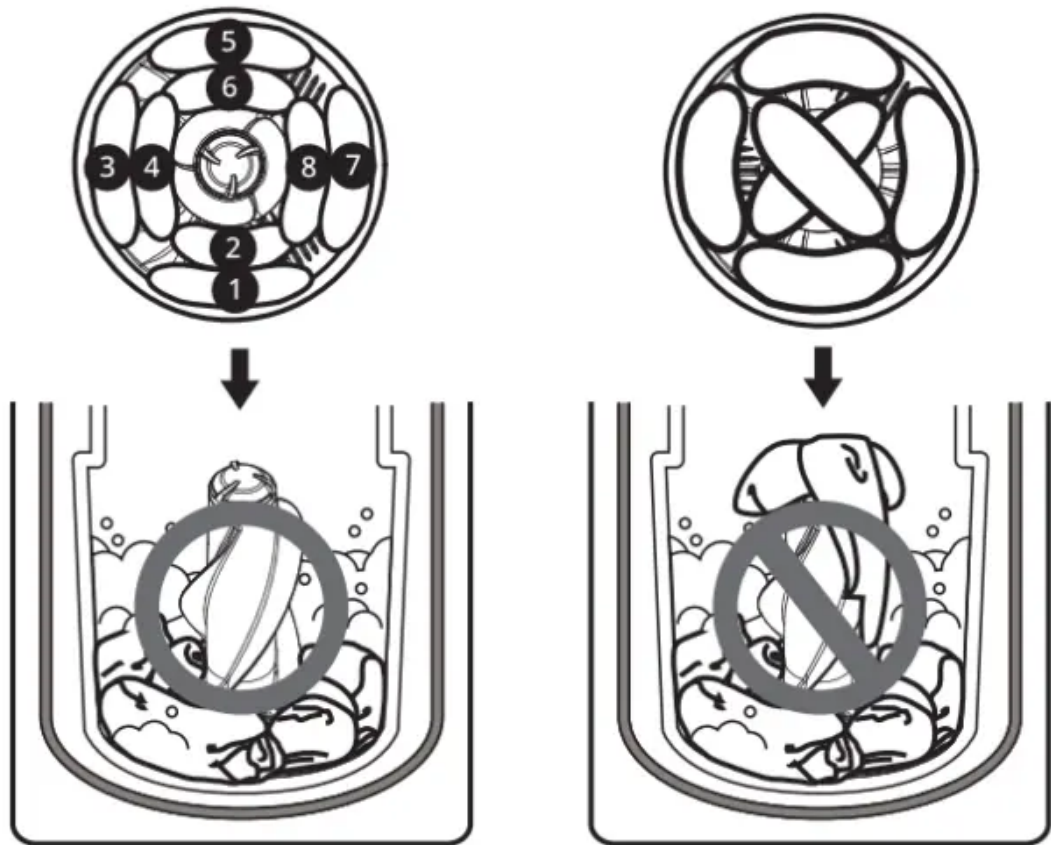
Small Items

- Do not wash a single small item. Add enough similar items to the load to prevent an out-of-balance load.
- Wash small, light items in a mesh bag. Small items can get caught in the impeller at the bottom of the tub, and brassiere hooks can damage other items or the tub.

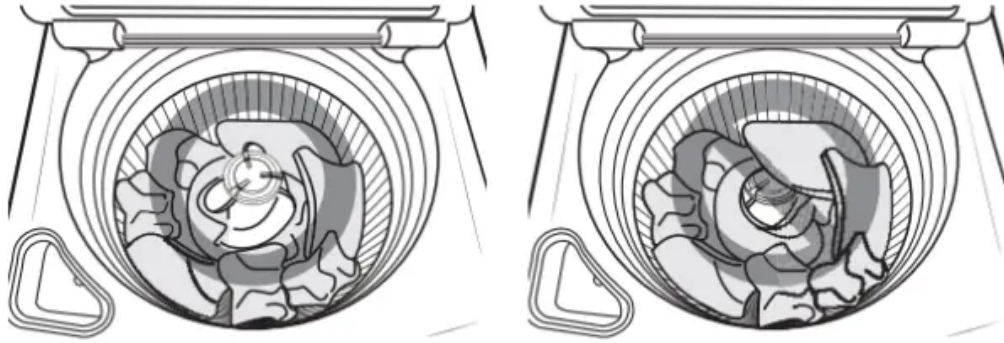
General Tips for Models with an Agitator

If the appliance uses a tall, vertical spindle in the drum, follow these instructions when loading the washer.

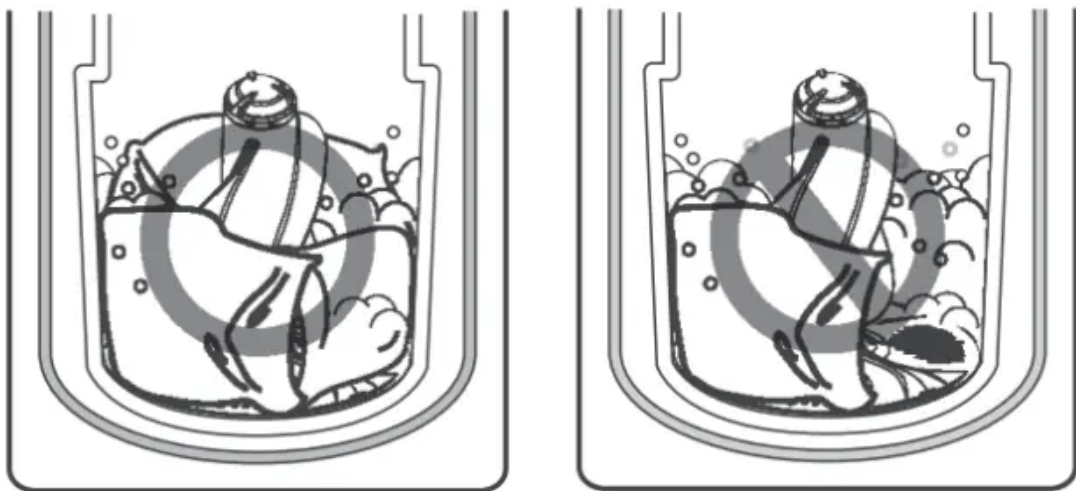
- For best performance, load clothes as shown.



- To reduce tangling, load items loosely in even piles surrounding the agitator.



- Do not load a single bulky item unless it fills the drum. Load several small bulky items around the agitator to balance the load.



- Do not load bulky items such as pet beds that are too large or stiff to move easily around the agitator. Impeding the motion of the drum or agitator could cause damage to the items or the washer.

Adding Cleaning Products

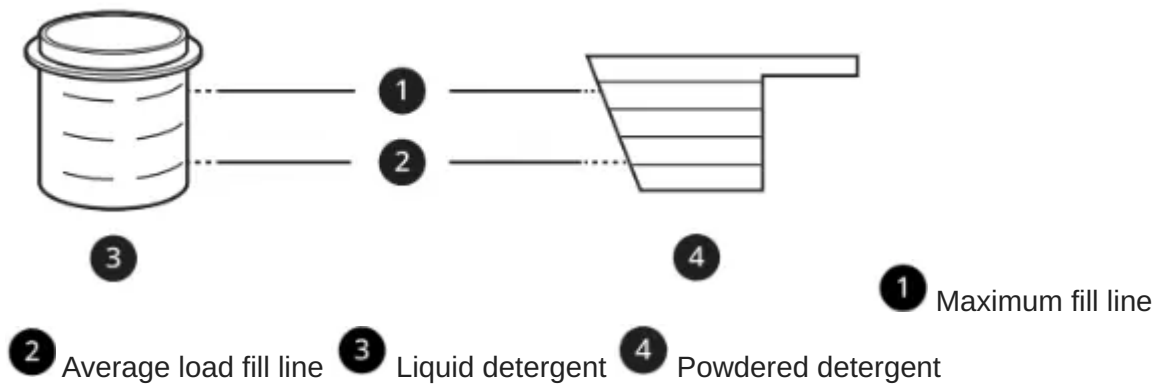
About Detergent Use



This washer is designed for use with only HE (High- Efficiency) detergents.

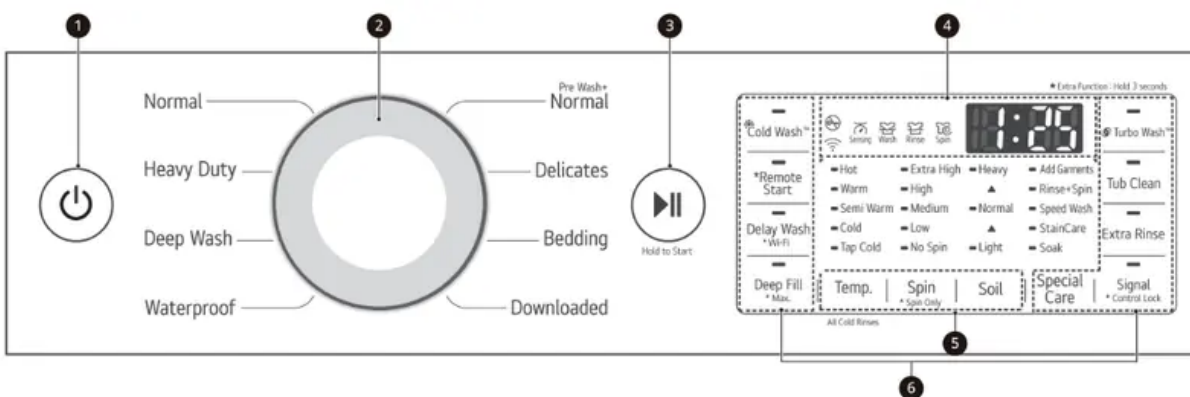
- HE detergents produce fewer suds, dissolve more efficiently to improve washing and rinsing performance and help to keep the interior of the washer clean. Using a detergent that is not HE may cause oversudsing and unsatisfactory performance which could result in error codes, cycle failure, and washer damage.

- Detergents designated as HE-compatible may not provide optimal results.
- For proper wash performance, always measure detergent using the measuring device provided by the detergent manufacturer. For an average load, use less than half of the recommended maximum. Use less detergent for soft water, light soil, or smaller loads.
- Use extra care when measuring 2X and 3X concentrated detergents because even a small amount of extra detergent can lead to problems.
- Never use more than the maximum amount of detergent recommended by the manufacturer. Using too much detergent can lead to oversudsing, poor rinsing, detergent buildup in clothing, and residue buildup that can contribute to odors in the washer.
- Do not use more than one single-use detergent pack in the washer. Using too much detergent may cause oversudsing and unsatisfactory performance. Reduce the detergent amount or add an extra rinse if a detergent residue is left on fabrics. To add an extra rinse, select the **Extra Rinse** option.



Control Panel

Control Panel Features



1 Power On/Off Button

- Press this button to turn the washer on or off.

- Pressing this button during a cycle will cancel that cycle and any load settings will be lost.
- The door will unlock after a brief pause.

NOTE: If there is any water remaining in the drum after the washer shuts off, it will drain after a delay. The washer can be restarted at any time before the drain begins. However, once the water begins to drain, all functions will be suspended until the water has been completely drained and the washer shuts off.

2 Cycle Selector Knob

- Turn this knob to select the desired cycle.
- Once the desired cycle has been selected, the standard presets will appear on the display. These settings can be adjusted using the **Cycle Modifier** buttons at any time before starting the cycle.

3 Start/Pause Button

- Press this button to start the selected cycle.
- If the washer is running, use this button to pause the cycle without losing the current settings.

NOTE: If the **Start/Pause** button is not pressed to start the selected cycle, after a delay the washer automatically turns off, and all cycle settings are lost. Any water remaining in the drum will be drained.

4 Time and Status Display

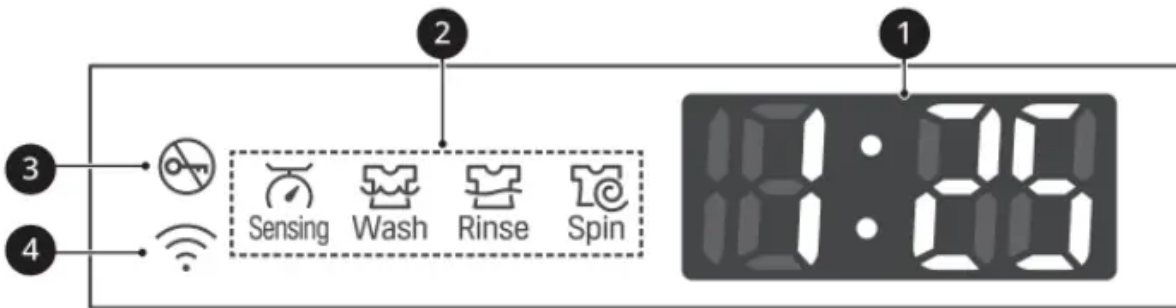
5 Cycle Modifier Buttons

- Use these buttons to adjust the wash temperature, spin speed, and soil level settings for the selected cycle.
- The current settings are shown in the display.
- Press the button for that option to select other settings.

6 Option and Extra Function Buttons

- These buttons allow you to select additional cycle options. Certain buttons also allow you to activate special functions by pressing and holding the button for **3 seconds**.

Time and Status Display



1 Estimated Time Remaining

- When a cycle is selected, the default time for that cycle is displayed. This time will change as modifiers or options are selected.
- If the display shows ---, then the time will be displayed after the load sensing has detected the load size.
- The time shown is only an estimate. This time is based on normal operating conditions. Several external factors (load size, room temperature, incoming water temperature, etc.) can affect the actual time.

NOTE

- Once the Start/Pause button is pressed, the washer will measure the size of the load. The estimated time may change once the load size has been measured.
- If the Delay Wash function is set, the remaining delay time counts down until the cycle begins.

2 Cycle Status Indicators

- These LEDs will blink when a cycle is selected to indicate which stages will run.
- When a cycle is running, the LED for the active stage will blink, and the LEDs for the remaining stages will remain steady. Once a stage is complete, the LED will turn off. If a cycle is paused, the active stage LED will stop blinking.

3 Door Lock Indicator

- This indicator lights up when the cycle starts and the door is locked.
- The indicator light stays on until the cycle is paused, stopped, or has finished.

4 Wi-Fi Indicator

- This indicator is lit when the product is connected to a home Wi-Fi network.

Special Care Features

Using Special Care Features

Press the **Special Care** button to select additional features, such as **Soak**, **Stain Care**, **Speed Wash**, and **Rinse+Spin**. Press the button repeatedly to move through the available features.

NOTE

- Pressing the **Special Care** button before selecting a cycle will automatically default to the **Normal** cycle with the **Soak** feature selected.
- To protect your garments, not every feature is available with every cycle.
- If the **Start/Pause** button is not pressed within 60 minutes to start the cycle, the washer will shut off and all settings will be lost.

Soak

This option provides a 30-minute presoak prior to the start of the selected cycle. Use this option to presoak garments to help remove difficult spots or stains on fabrics. At the end of the presoak time, the selected cycle will begin with the same water used for soaking.

Stain Care

Use this option for heavily soiled loads that need improved stain treatment. When **Stain Care** is selected, the wash cycle will begin with warm water to help prevent the setting of certain types of stains. Then, as the cycle progresses, hot water will be added to gradually increase the water temperature to help remove stains that require treatment at higher temperatures.

NOTE: Best results are obtained with smaller loads (less than 6 lb.)

Speed Wash

Use this option to quickly wash lightly soiled clothing and small loads. For high wash and rinse efficiency, wash small loads of 2-3 lightly soiled garments.

NOTE: Use very little detergent in this cycle. To add an extra rinse, use the **Extra Rinse** button.

Rinse+Spin

Select this option to rinse and spin a load separately from a regular cycle. This can be helpful in preventing fresh stains from setting in fabrics.

1. Press the **Power** button to turn on the washer.
2. Press the **Special Care** button repeatedly until **Rinse+Spin** is selected.
3. Press the **Start/Pause** button to begin.

Add Garment

If you've forgotten to add an item or need to remove foreign objects like coins or keys after the cycle has started, the best time to do so is while the Add Garment indicator is on.

- Once the indicator turns off, adding garments may affect the cycle time or wash performance.
1. Press the **Start/Pause** button. The cycle pauses and the lid (door) unlocks.
 2. Open the lid, add garments or remove foreign objects, and close the lid.
 3. Press the **Start/Pause** button to resume the cycle. The cycle continues automatically.

NOTE

- This washer is equipped with a special drain feature that is designed to make your washer as safe as possible. If the washer is paused or shut off while there is still water in the tub, the water will drain automatically after several minutes of inactivity. This helps keep children safe by reducing the possibility of water remaining in the tub.

Any water remaining in the tub will automatically drain 4 minutes after the washer has shut off. If the washer is paused and the **Start/Pause** button is not pressed within 60 minutes, the washer will shut off and all cycle settings will be lost. And any water remaining in the tub will be drained.

The washer can be turned on or restarted at any time before the drain begins. However, once the washer begins to drain, all controls and functions will be disabled until the water has been completely drained and the washer shuts off.

MAINTENANCE

WARNING

- To reduce the risk of fire, electric shock, or injury to persons, read this entire owner's manual, including the SAFETY INSTRUCTIONS, before operating this appliance.
- Unplug the appliance before cleaning to avoid the risk of electric shock. Failure to follow this warning can cause serious injury, fire, electric shock, or death.
- Do not use volatile substances (benzene, paint thinner, alcohol, acetone, etc.), abrasive cleaners, or detergents with strong chemical components when cleaning the appliance. Doing so may cause discoloration or damage to the appliance, or may cause a fire.
- Certain internal parts are intentionally not grounded and may present a risk of electric shock only during servicing. Service personnel - Do not contact the following parts while the appliance is energized: pump, motor, noise filter cover, and heater (on applicable models).

Regular Cleaning

Care after Wash

After the cycle is finished, wipe the lid and the inside of the lid seal to remove any moisture.

- Wipe the body of the washer with a dry cloth to remove any moisture.
- Leave the lid open to dry the tub interior.

NOTE: Make sure children and pets do not climb into the tub. Engage the **Control Lock** feature if needed to prevent children from accidentally starting a wash cycle.

Cleaning the Exterior

Proper care of your washer can extend its life.

Lid:

- Wash with a damp cloth on the outside and inside and then dry with a soft cloth.

Exterior:

- Immediately wipe off any spills.
- Wipe with a damp cloth.
- Do not touch the surface or the display with sharp objects.

Periodic Maintenance

- Use a towel or soft cloth to wipe around the washer lid opening and lid glass.
- Always remove items from the washer as soon as the cycle is complete. Leaving damp items in the washer can cause wrinkling, color transfer, and odor.
- Run the **Tub Clean** cycle once a month, or more often if needed, to remove detergent buildup and other residue.

Cleaning the Tub

Over time, residue may build up in the tub, leading to mildew or a musty odor. Run the **Tub Clean** cycle monthly to remove residue and prevent odor.

NOTE

- Make sure to run the Tub Clean cycle only when the tub is empty. Never load laundry while using this cycle. The laundry may be damaged or contaminated with cleaning products.
- Run the cycle more often under heavy use conditions or if the odor is already present.
- If mildew or a musty smell already exists, run this cycle once a week for three consecutive weeks.

1. Remove any clothing from the tub.

2.

Cleaner	Instructions
Tub cleaner	Follow manufacturer's recommendations.
Lime scale remover	
Liquid chlorine bleach	Add to main wash liquid detergent dispenser.

Adding cleaning agents.

Powdered cleaner	Follow manufacturer's recommendations.
Cleaning tablets	Place directly into the washer tub.

For other tub-

cleaning products, follow the cleaner manufacturer's instructions and recommendations.

Do not exceed the maximum fill line when adding bleach or powdered cleaners.

Powdered cleaners may remain in the tub after cleaning.

3. Close the lid and press the **Power** button to turn on the washer.
4. Turn the knob or press the cycle buttons to select the **Tub Clean** cycle then press the **Start/Pause** button to begin the cycle.
5. After the cycle ends, open the lid and allow the tub interior to dry completely.

WARNING: Make sure children and pets do not climb into the tub. Engage the **Control Lock** feature if needed to prevent children from accidentally starting a wash cycle.

NOTE: If you use a descaler or tub cleaner during the **Tub Clean** cycle, use the **Rinse+Spin** option to rinse the washer tub before running your next wash cycle.

Removing Mineral Buildup

In areas with hard water, the mineral scales can form on the internal components of the washer. Periodically clean the mineral buildup on the internal components to extend the lifespan of the washer. The use of a water softener is recommended in areas with hard water.

- Use a descaler to remove visible mineral buildup on the washer tub.
- After descaling, always run the **Tub Clean** cycle before washing clothing.
- Mineral scale and other spots may be removed from the stainless steel tub using a soft cloth soaked in stainless steel cleaner.
- Do not use steel wool or abrasive cleaners.

Leaving the Lid Open

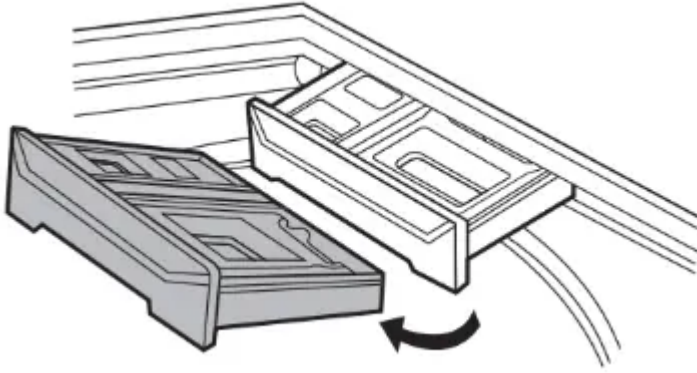
After you finish using the washer, leave the lid open overnight to allow air to circulate and dry the tub. This helps prevent odors.

Cleaning the Dispenser Drawer

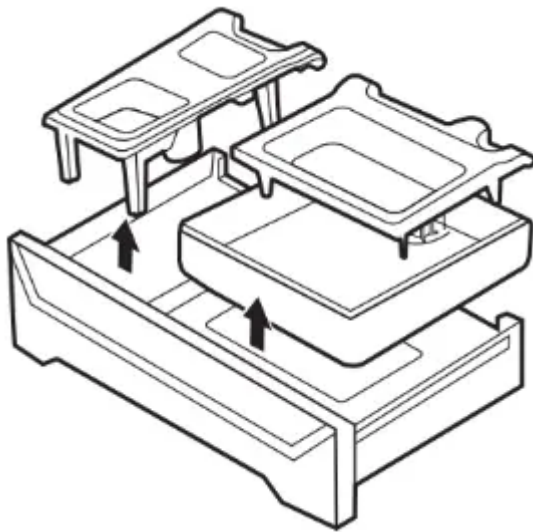
Detergent and fabric softener may build up in the dispenser drawer. Remove the drawer and inserts and check for buildup **once or twice a month**.

WARNING: Do not spray water inside the washer. Doing so may cause fire or electric shock.

1. Turn off the washer, and unplug the power cord.
2. Remove the drawer by pulling it straight out until it stops. Lift the front of the drawer upwards and pull it completely out.



3. Remove the inserts from the two compartments.



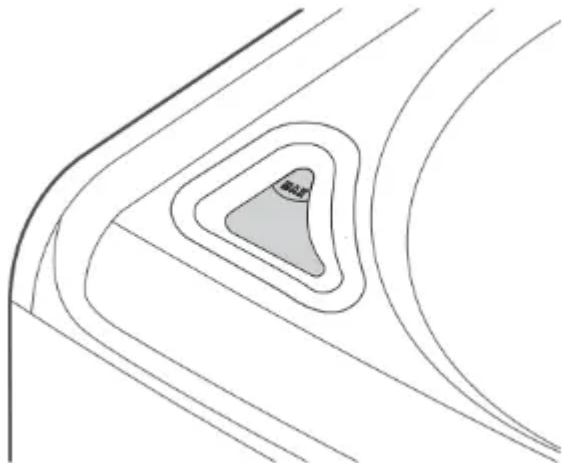
4. Clean the inserts and drawer with warm water.
 - Use a soft cloth or brush to clean and remove any residue.
 - Do not use soap when cleaning the drawer and inserts.
5. Wipe off any moisture with a dry towel or cloth after cleaning.
6. To clean the drawer opening, use a small, non-metal brush to clean the recess. Remove all residue from the upper and lower parts of the recess.
7. Return the inserts to the proper compartments and replace the drawer.
 - Set the drawer into the opening at an angle, then lower it and slide it into place.

Cleaning the Bleach Dispenser

Bleach may build up on the bleach dispenser cover. Check for buildup and clean the cover **once or twice a month**.

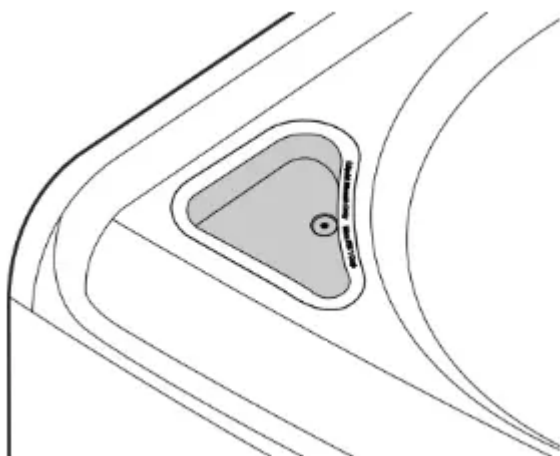
Automatic Bleach Dispenser

Remove the cover from the bleach dispenser. Clean the cover and the opening with warm water.



Immediate Bleach Dispenser

The cover cannot be separated from the dispenser. Clean the cover using a brush and warm water.



Cleaning the Water Inlet Filters

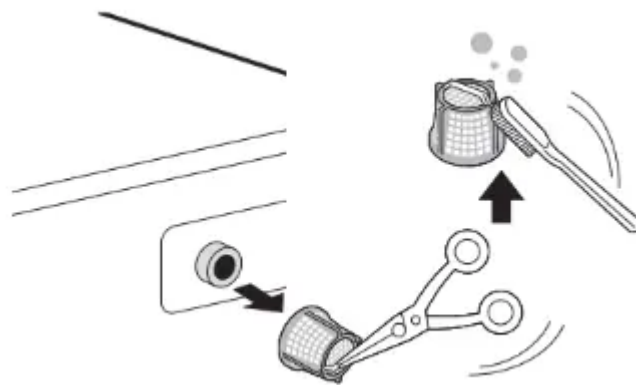
If the washer does not fill properly, an error message will appear on the display. The inlet valve filter screens could be clogged by hard water scale, sediment in the water supply, or other debris.

WARNING

- The inlet screens protect the delicate parts of the inlet valve from being damaged by particles that could enter the valves with the water supply. Operating the washer with these filters removed could cause a valve to open continuously, resulting in flooding and/or property damage.

CAUTION

- Do not use the washer without the inlet filters. Doing so will cause leaks and malfunction.
 - If you use the washer in an area with hard water, the inlet filter may clog due to lime buildup and require more frequent cleaning.
1. Turn off the washer, and unplug the power cord.
 2. Turn off the hot and cold water faucets.
 3. Unscrew the hot and cold water hoses from the back of the washer.
 4. Remove the filters from the water valves carefully.
 - Use pliers to pull out the filters from the water valves.



5. Remove foreign objects and soak the filters in white vinegar or a lime scale remover.
 - If using a limescale remover, follow the manufacturer's instructions. Be careful not to damage the filters while cleaning them.
6. Rinse filters thoroughly and press them back into place.
7. Flush then reattach the water hoses.
 - Before reattaching the water inlet hoses, flush them by running several gallons of water through them into a bucket or drain, preferably with the faucets wide open for maximum flow.

NOTE: An IE error message may blink on the display when the water pressure is low or an inlet filter is clogged with dirt. Clean the inlet filter.

TROUBLESHOOTING

The washer is equipped with an automatic error-monitoring system to detect and diagnose problems at an early stage. If the washer does not function properly or does not function at all, check the following before you call for service.

Before Calling for Service

Error Messages

UE UNBALANCE ERROR

- The load is too small.
 - Add additional items to allow the washer to balance the load.
- Heavy articles are mixed with lighter items.
 - Always try to wash articles of somewhat similar weight to allow the washer to evenly distribute the weight of the load for spinning.
- The load is out of balance.
 - Manually redistribute the load if articles have become tangled, preventing the automatic rebalancing from working properly.

IE INLET ERROR

- Water supply faucets are not fully open.
 - Make sure that the water faucets are fully open.
- Water inlet hoses are kinked, pinched, or crushed.
 - Make sure that the hoses are not kinked, pinched, or crushed behind or under the washer. Be careful when moving the washer during cleaning or maintenance.
- Water inlet filters are clogged.
 - Clean the inlet filters. See **MAINTENANCE**.
- Water supply pressure to faucet or house is too low.
 - Check another faucet in the house to make sure that household water pressure is adequate and flow is not restricted.
 - Disconnect the water inlet hoses from the washer and run a few gallons of water through the hoses to flush out any dirt.
 - If the flow is too low, contact a plumber to have the water supply lines repaired.
- Water supply connected with leak-limiting hoses.
 - The use of hoses designed to limit leaks is not recommended. Leak-limiting hoses can trip falsely and prevent the washer from filling.

dE WATER OUTLET ERROR

- The drain hose is kinked, pinched, or clogged.
 - Make sure that the drain hose is free of clogs or kinks and is not pinched behind or under the washer.
- The end of the drain hose is more than 96 inches (2.4 m) above the bottom of the washer.
 - Move the end of the drain hose so that it is lower than **96 inches (2.4 m)**.

CL CONTROL LOCK FUNCTION

- The control lock function is on to prevent anyone from changing cycles or operating the washer.
 - Turn off the control lock function in the control panel. See Control Lock under Options and Extra Functions.

dr DRAIN FEATURE

- Special drain feature
 - If the washer is paused during a cycle for more than 4 minutes, the cycle will be canceled and any water remaining in the tub will be drained.
 - This is not an error code. It indicates that the drain function is operating.

dE LID ERROR

- The lid is not closed properly.
 - Close the lid properly.
 - If the lid is closed and this error message is still displayed, call for service.

dL LID LOCK ERROR

- The lid is not locked properly.
 - Make sure that the lid is closed properly and press the **Start/Pause** button. You can hear the locking sound to lock the lid at the beginning of the cycle. The washer will not operate unless the lid is locked.
 - Make sure that nothing is caught under the lid, including shipping material or clothing.
 - Make sure that the latch mechanism is fully retracted. Make sure that the latch mechanism is fully retracted.
 - If the lid is closed and this error message is still displayed, call for service.

LE I FOREIGN OBJECT ERROR

- Foreign objects such as coins, pins, clips, etc., are caught between the pulsator and the inner tub.
 - Turn the washer off and then on again. Press the Spin button without selecting a cycle to drain and spin the load.
 - When the Spin cycle is completed, empty the tub and find and remove any objects caught in the pulsator.
 - Always check pockets, etc., before washing to prevent error codes or damage to the washer or clothing.

tcL TUB CLEAN ALARM

- It is time to run the Tub Clean cycle.
 - This is not an error code. It indicates that the Tub Clean cycle is running or needs to be run to clean the washer tub.

ub UNBALANCE DETECTION

- The washer has detected an out-of-balance load.
 - This display is for your information only, and no action is required. If the washer detects a load that is too far out of balance to spin, it will display this code while it is attempting to rebalance the load. The washer will add water and try to redistribute the load automatically.
 - As a result, the cycle will take longer than initially estimated.

LE TEMPERATURE SENSOR ERROR

- Control error
 - Unplug the washer and wait 60 minutes. Reconnect power and try again.
 - If the error code is still displayed, call for service.

FE OVERFLOW ERROR

- The water level is too high due to a faulty water valve.
 - Close the water faucets, unplug the washer, and call for service.

PE PRESSURE SENSOR ERROR

- The water level sensor is not working correctly.
 - Close the water faucets, unplug the washer, and call for service.

LE MOTOR LOCKED ERROR

- A motor error has occurred.
 - Allow the washer to stand for 30 minutes and then restart the cycle.
 - If the error code is still displayed, call for service.

Eb CLUTCH ERROR

- Clutch error
 - Mechanical failure
 - Unplug the washer and call for service.

Noises

Clicking

- Lid lock sounds when the lid locks or unlocks.
 - Normal operation

Spraying or hissing

- Water spraying or circulating during the cycle
 - Normal operation

Humming or Gurgling

- A drain pump is pumping water from the washer at times during a cycle.
 - Normal operation

Water sloshing

- A liquid in the balance ring around the pulsator helps the basket spin smoothly.
 - Normal operation

Water is added after the washer has already begun to operate

- The washer adapts to the load size and type to add more water to the cycle as needed.
 - Normal operation
- The wash load may be unbalanced. If the washer senses that the load is unbalanced, it will stop and refill to redistribute the load.
 - Normal operation
- The washer may be diluting laundry additives to add to the wash load.
 - Normal operation

Rattling and clanking noise

- Foreign objects, such as keys, coins, or safety pins may be in the tub or pump.
 - Stop the washer, and check the tub and the drain filter for foreign objects.
 - If the noise continues after the washer is restarted, call for service.

Thumping sound

- Heavy wash loads may produce a thumping sound.
 - This is normal, but if the sound continues, the washer is probably out of balance. Stop and redistribute the wash load.
- The Wash load may be out of balance.
 - Pause the cycle and redistribute the load after the lid unlocks.

Vibrating noise

- Packaging materials were not removed.
 - See Unpacking and Removing Shipping Material in INSTALLATION.
- The Wash load may be unevenly distributed in the tub. The Wash load may be unevenly distributed in the tub.
 - Pause the cycle and redistribute the load after the lid unlocks.
- Not all leveling feet are resting firmly and evenly on the floor.
 - See Leveling the Washer in INSTALLATION.
- The floor is not rigid enough.
 - Make sure that the floor is solid and does not flex. See Flooring in INSTALLATION.

Squeaking noise

- Packaging materials were not removed.
 - See Unpacking and Removing shipping Material in INSTALLATION.

Banging noise when the washer is filling with water. (Water hammer)

- The plumbing in the home moves or flexes when the water valves in the washer shut off.
 - The water hammer is not caused by a defect in the washer. Install water hammer arrestors (purchased separately at hardware or home improvement store) between the fill hose and the washer for best results.
- Household water supply pressure is very high.
 - Adjust the household water supply regulator to a lower pressure or contact a plumber.

Operation

Water Leaking

- The hoses are not connected correctly.
 - Check hoses and connectors for leaks, cracks, and splits.
 - Check and tighten hose connections.
- House drain pipes are clogged.
 - The washer pumps out water very rapidly. Check for water backing up out of the drain pipe during the drain. If water is seen coming out of the drain, check for the proper drain hose installation and check for restrictions in the drain.
 - Contact a plumber to repair the drain pipe.
- The drain hose has come out of the drain connector or is not inserted far enough.
 - Tie the drain hose to the inlet hose or standpipe to prevent it from coming out during the drain.
 - For smaller drain pipes, insert the drain hose into the pipe as far as the drain hose flange. For larger drain pipes, insert the drain hose into the pipe 1 - 2 inches past the flange.
- A large item such as a pillow or blanket is above the top of the tub.
 - Use the Bedding cycle for large or bulky items. Use extra care and never wash more than half a load of items that float, such as pillows.
 - Stop the washer and check the load. Make sure that the load does not crest above the top edge of the tub.
- Oversudsing of detergent
 - Oversudsing may create leaks and may be caused by the type and amount of detergent used. HE (High-Efficiency) detergent is the only detergent recommended. The normal amount of detergent to use is 1/4 to 1/2 of the maximum amount recommended by the detergent manufacturer.
 - Always reduce the amount of detergent if the load is small or lightly soiled, or if the water is very soft.
 - Never use more than the maximum amount recommended by the detergent manufacturer.

Excessive sudsing

- Too much detergent or incorrect detergent
 - HE detergents are formulated specifically for HE (High-Efficiency) washers and contain suds-reducing agents. Only use detergent with the HE (High-Efficiency) logo.
 - For detergent, quantities refer to Detergent Use in OPERATION. If sudsing or detergent residue continues to be an issue, add an extra rinse.

The washer will not turn on.

- The power cord is not properly plugged in.
 - Make sure that the plug is plugged securely into a grounded, 3-prong, 120-VAC, 60 Hz outlet.
- The House fuse is blown, the circuit breaker has tripped, or a power outage has occurred.
 - Reset the circuit breaker or replace the fuse. Do not increase fuse capacity. If the problem is a circuit overload, have it corrected by a qualified electrician.

The Wash cycle time is longer than usual.

- The washer automatically adjusts the wash time for the amount of laundry, water pressure, and other operating conditions.
 - This is normal. The washer adjusts cycle time automatically to provide optimal results for the selected cycle. The time remaining shown in the display is only an estimate. Actual time may vary.

Incomplete or no dispensing of detergent

- Detergent compartments clogged from incorrect filling.
 - Make sure that detergent and additives are put into the correct dispenser compartments.
 - For all detergent types, always make sure that the dispenser drawer is fully closed before the start of the cycle.
- Too much detergent was used.
 - Make sure that the suggested amount of detergent is used according to the manufacturer's recommendations. You may also dilute the detergent with water to the maximum fill line on the compartment to avoid clogging. Use only HE (High-Efficiency) detergent.
 - Always use as little detergent as possible. HE (High-Efficiency) washers need very little detergent to achieve optimum results. Using too much detergent will

cause poor wash and rinse performance and may contribute to odors in the washer.

- Insufficient water supply
 - Make sure that both hot and cold water faucets are turned on all the way.
- Normal residue
 - It is normal for a small amount of detergent to remain in the dispenser. If this residue builds up, it can interfere with the normal dispensing of detergents. Refer to the cleaning instructions.

The washer will not operate.

- The Control panel has powered off due to inactivity.
 - This is normal. Press the Power button to turn on the washer.
- The washer is unplugged.
 - Make sure that the power cord is plugged securely into an electrical outlet.
- The water supply is turned off.
 - Turn both hot and cold faucets fully on.
- Controls are not set properly.
 - Make sure that the cycle was set correctly, close the lid, and press the Start/ Pause button to start the wash cycle.
- The lid is open.
 - Close the lid and make sure that nothing is caught under the lid preventing it from closing completely.
- The circuit breaker/fuse is tripped/blown.
 - Check house circuit breakers/fuses. Replace fuses or reset the breaker. The washer should be on a dedicated branch circuit.
- The Start/Pause button was not pressed after the cycle was set.
 - Press the Power button then reselect the desired cycle and press the Start/ Pause button. If the Start/Pause button is not pressed within a certain time, the washer will be turned off. (The time varies by model, from 4 to 60 minutes.)
- Extremely low water pressure.
 - Check another faucet in the house to make sure that household water pressure is adequate.

- The washer is too cold.
 - If the washer has been exposed to temperatures below freezing for an extended period of time, allow it to warm up before pressing the Power button. Otherwise, the display will not come on.

The washer is not filling properly.

- The filter is clogged.
 - Make sure that inlet filters on the fill valves are not clogged. Refer to Cleaning the Water Inlet Filters in MAINTENANCE.
- Inlet hoses may be kinked.
 - Check that inlet hoses are not kinked or clogged.
- Energy efficiency
 - This is a High-Efficiency (HE) washer. As a result, the water level settings for this washer may be different than for a conventional washer.
- Insufficient water supply
 - Make sure that both hot and cold water faucets are turned on all the way.
- The washer lid is open.
 - Close the lid and make sure that nothing is caught under the lid preventing it from closing completely.
- The water level is too low.
 - The water will not normally cover the clothes. The fill level is optimized for the wash motion to achieve the best wash performance.

Water in the washer does not drain or drain slowly.

- The drain hose is kinked, pinched, or clogged.
 - Make sure that the drain hose is free of clogs or kinks and is not pinched behind or under the washer.
- The end of the drain hose is more than 96 inches (2.4 m) above the bottom of the washer.
 - Move the end of the drain hose so that it is lower than 96 inches (2.4 m).

Bleach does not dispense.

- The bleach dispenser cover is not properly installed (on some models).
 - Make sure that the bleach cover is properly installed and snapped into place before the beginning of the cycle.



- The bleach dispenser is dirty or clogged.
 - Lift out the bleach dispenser cover and clean out the reservoir. Lint and other foreign debris that is collected inside the dispenser may prevent proper dispensing of the bleach.

Premature dispensing of bleach

- The bleach dispenser was filled for the future load.
 - You cannot store bleach in the dispenser for future use. The bleach will be dispensed every load.
- Overfilling the bleach dispenser
 - Overfilling the bleach dispenser will cause the bleach to dispense immediately, which will damage the laundry or the washer. Always measure bleach, but never fill above the max line on the dispenser. A half cup of bleach is sufficient for most loads. Never use more than 1 cup of bleach.

Performance

Wrinkling

- The washer is not unloaded promptly.
 - Always remove items from the washer as soon as the cycle is complete.
- The washer is overloaded.
 - The washer can be fully loaded, but the tub should not be tightly packed with items. The lid of the washer should close easily.
- Hot and cold water inlet hoses are reversed.
 - Hot water rinse can set wrinkles in garments. Check the Inlet hose connectors.

Staining

- Bleach or softener is dispensed too soon.
 - The dispenser compartment was overfilled, causing the bleach or softener to dispense immediately. Always measure bleach, and never use more than 1 cup.
- Bleach or softener was added directly to the wash load in the tub.
 - Always use the dispensers to ensure that laundry products are properly dispensed at the right time in the cycle.

- The washer was not unloaded promptly.
 - Always remove items from the washer as soon as possible after the cycle is completed.
- The clothes were not properly sorted.
 - Always wash dark colors separately from light colors and whites to prevent discoloration.
 - Never wash heavily soiled items with lightly soiled items.

Poor stain removal

- Proper options are not selected.
 - Heavier soils and tougher stains may require extra cleaning power. Select the Soak or Stain Care feature to boost the cleaning power of the selected cycle.
- Previously set stains.
 - Articles that have previously been washed may have stains that have been set. These stains may be difficult to remove and may require hand washing or pre-treating to aid in stain removal.

Musty or mildewy odor in the washer

- Incorrect or too much detergent has been used.
 - Use only HE (High-Efficiency) detergent in accordance with the manufacturer's instructions.
- The inside of the tub was not cleaned properly.
 - Run the Tub Clean cycle regularly.

IMPORTANT SAFETY INSTRUCTIONS

WARNING STATEMENTS

WARNING: To reduce the risk of explosion, fire, death, electric shock, scalding, or injury to persons when using this product, follow basic precautions, including the following:

Installation

- Adhere to all industry-recommended safety procedures including the use of long-sleeved gloves and safety glasses.
- Never attempt to operate this appliance if it is damaged, malfunctioning, partially disassembled or has missing or broken parts, including a damaged cord or plug.
- Before use, the appliance must be properly installed as described in this manual.
- To reduce the risk of severe injury or death, follow all installation instructions.

- Refer to the INSTALLATION INSTRUCTIONS for detailed grounding procedures. Installation instructions are packed with the appliance for the installer's reference. If the appliance is moved to a new location, have it checked and reinstalled by qualified service personnel.
- Moving or installation of the appliance requires two or more people.
- Do not install the appliance in humid spaces.
- Store and install the appliance where it will not be exposed to temperatures below freezing or exposed to outdoor weather conditions.
- This appliance is not designed for maritime use or for mobile installations such as in RVs, trailers, or aircraft.
- Keep packing materials out of the reach of children. Packaging material can be dangerous for children. There is a risk of suffocation.
- Destroy the carton, plastic bag, and other packing materials after the appliance is unpacked. Children might use them for play. Cartons covered with rugs, bedspreads, or plastic sheets can become airtight chambers.
- The appliance must be installed and electrically grounded by qualified service personnel in accordance with local codes.
- When installing or moving the appliance, be careful not to pinch, crush, or damage the power cord.
- Connect to a properly rated, protected, and sized power circuit to avoid electrical overload.
- This appliance must be positioned near an electrical power supply.
- Disconnect the power cord, house fuse, or circuit breaker before installing or servicing the appliance.
- The power cord of this appliance is equipped with a 3-prong (grounding) plug which mates with a standard 3-prong (grounding) wall outlet to minimize the possibility of electric shock from this appliance.
- Do not, under any circumstances, cut or remove the third (ground) prong from the power cord.
- Use new hoses when connecting the appliance to the water supply. Do not reuse old hoses.

Operation

- Read all instructions before using the appliance and save these instructions.
- Use this appliance only for its intended purpose.

- If the product has been submerged in water, sitting in standing water, or waterlogged, do not come in contact with the product and immediately contact an LG Electronics customer information center for instructions before resuming use.
- If you detect a strange sound, a chemical or burning smell, or smoke coming from the appliance, unplug it immediately, and contact an LG Electronics Customer Information Center.
- Under certain conditions, hydrogen gas may be produced in a hot-water system that has not been used for two weeks or more. **HYDROGEN GAS IS EXPLOSIVE.** If the hot-water system has not been used for such a period, before using the appliance, turn on all hot water faucets and let the water flow from each for several minutes. This will release any accumulated hydrogen gas. As the gas is flammable, do not smoke or use an open flame during this time.
- Do not reach into the washer if the tub or drum, agitator, or any interior parts are moving. Before loading, unloading, or adding items, press **Start/Pause** and allow the tub or drum to coast to a complete stop before reaching inside.
- This appliance is not intended for use by persons (including children) with reduced physical, sensory or mental capabilities, or lack of experience and knowledge unless they have been given supervision or instruction concerning the use of the appliance by a person responsible for their safety.
- Do not allow children or pets to play on, in, or with the appliance. Close supervision is necessary when the appliance is used near children or pets.
- Keep laundry products out of children's reach. To prevent injury to persons, observe all warnings on product labels.
- Repair or immediately replace all power cords that have become frayed or otherwise damaged. Do not use a cord that shows cracks or abrasion damage along its length or at either end.
- Never unplug the appliance by pulling on the power cord. Always grip the plug firmly and pull it straight out from the outlet.
- Do not use an extension cord or adapter with this appliance.
- Do not grasp the power cord or touch the appliance controls with wet hands.
- Do not modify or extend the power cord.
- If the electrical supply cord is damaged, it must only be replaced by the manufacturer or its service agent, or a similarly qualified person in order to avoid a hazard.
- Do not put oily or greasy clothing, candles, or flammable materials on top of the appliance.
- Keep the area underneath and around your appliances free of combustible materials (lint, paper, rags, etc.), gasoline, chemicals, and other flammable vapors and liquids.

- Do not store or use gasoline or other flammable vapors and liquids in the vicinity of this or any other appliance.
- Do not mix chlorine bleach with ammonia or acids such as vinegar. Follow package directions when using laundry products. Incorrect usage can produce poisonous gas, resulting in serious injury or death.
- Never use harsh chemicals, abrasive cleaners, or solvents to clean the washer. They will damage the finish.
- Do not wash laundry that has been previously cleaned in, washed in, soaked in, or spotted with gasoline, dry-cleaning solvents, vegetable or cooking oil, or other flammable or explosive substances, as they give off vapors that could ignite or explode.
- Do not add gasoline, dry cleaning solvents, or other flammable or explosive substances to the wash water. These substances give off vapors that could ignite or explode.
- In the event of a gas leak (propane gas, LP gas, etc.), do not operate this or any other appliance. Open a window or door to ventilate the area immediately.
- Do not tamper with controls.
- Fix the drain hose securely in place to avoid flooding.
- Do not abuse, sit on, or stand on the lid of the appliance.
- Keep hands and foreign objects clear of the lid and latch area when closing the lid.
- Always check the inside of the appliance for foreign objects.

Maintenance

- Do not repair or replace any part of the appliance. All repairs and servicing must be performed by qualified service personnel unless specifically recommended in this owner's manual. Use only authorized factory parts.
- Disconnect this appliance from the power supply before cleaning and attempting any user maintenance. Turning the controls to the OFF position does not disconnect this appliance from the power supply.
- Remove any dust or foreign matter from the power plug pins.
- Do not disassemble or repair the appliance by yourself.
- Remove the lid before the appliance is removed from service or discarded to avoid the danger of children or small animals getting trapped inside.
- Make sure the dispenser drawer or lid is closed at all times when not being filled with laundry products.

Grounding Instructions

- Improper connection of the equipment-grounding conductor can result in a risk of electric shock. Check with a qualified electrician or service personnel if you are in doubt about whether the appliance is properly grounded. Do not modify the plug provided with the

appliance; if it will not fit the outlet, have a proper outlet installed by a qualified electrician.

- The appliance must be grounded. In the event of a malfunction or breakdown, grounding will reduce the risk of electric shock by providing a path of least resistance to electric current. The appliance is equipped with a cord having an equipment-grounding conductor and a grounding plug. The plug must be plugged into an appropriate outlet that is installed and grounded in accordance with all local codes and ordinances.

CAUTION STATEMENTS

CAUTION: To reduce the risk of minor or moderate injury to persons, malfunction, or damage to the product or the property when using this product, follow basic precautions, including the following:

Installation

- Install the product on a firm and level floor.

Operation

- Do not place objects on top of the appliance.
- Turn off the water faucets and unplug the appliance if the appliance is to be left for an extended period of time, such as during vacations.
- ALWAYS follow the fabric care instructions supplied by the garment manufacturer.
- Use fabric softeners or products to eliminate static only as recommended by the manufacturer.
- Do not combine laundry products for use in one load unless specified on the label.
- Do not touch draining water that may be hot.
- If the drain hose and the water inlet hose are frozen in winter, defrost them before using the appliance.
- Do not store or spill liquid detergents, cleaners, or bleach (chlorine bleach, oxygen bleach) on the appliance. Doing so may result in corrosion, discoloration, or damage to the surface of the appliance.
- Clothing or articles that are waterproof or water-resistant must be washed in the Waterproof cycle only. (Examples include water-resistant clothing, mattress covers, outdoor clothes, and plastic mats.) Using another cycle may result in personal injury or damage to the washer, clothes, walls, floor, and surrounding objects due to abnormal vibration.

Warning

This content is compiled from multiple sources and is provided for reference purposes only. It may not be complete or fully applicable to all situations. If you are unable to resolve your issue, please contact the product manufacturer or an authorized service provider for official support.

Document generated by [ManualsFile](#)

