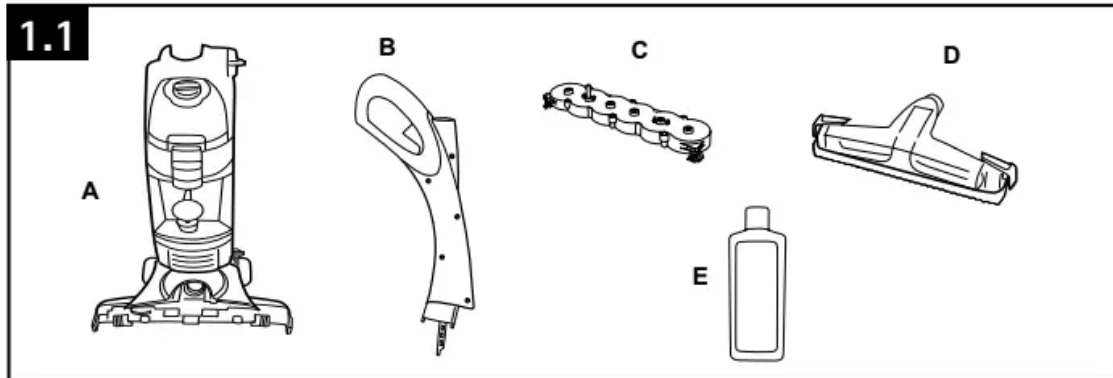


CLEANER ASSEMBLY

Carton contents



- A. Hard floor cleaner
- B. Upper handle
- C. Brush assembly
- D. Nozzle
- E. Hard Floor Cleaning Detergent

Remove all parts from carton and identify each item shown.

Make sure all parts are located before disposing of packing materials.

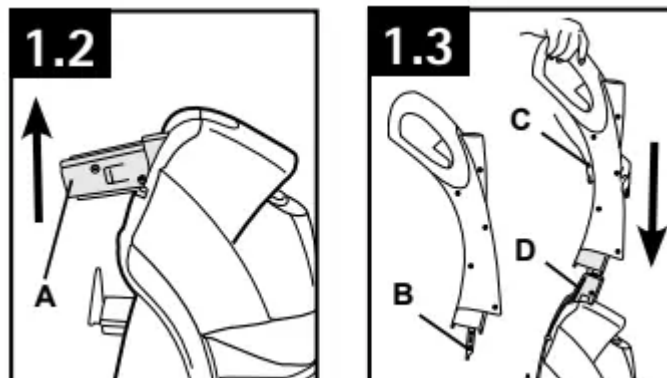
NOTE: Phillips screwdriver needed for assembly.

Attach handle

1.2 Rotate bottom handle support (A) up to the upright position until a snap is felt.

1.3 Align control rod (B) on upper handle (C) with slot in bottom handle support (D).

Push upper handle (C) all the way down until you hear it snap in place.



Install brushes and nozzle

1.4 To install brushes, place handle in upright position. Tilt cleaner back so that it rests on the floor.

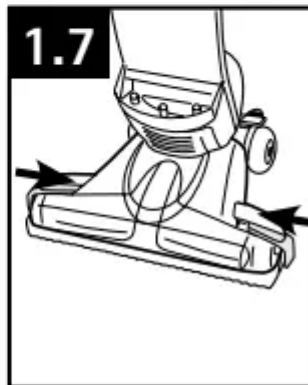
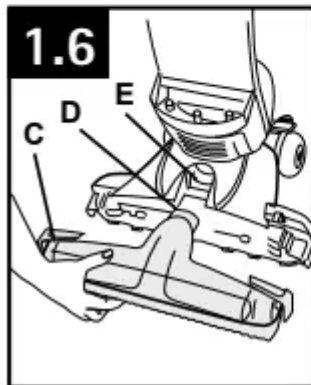
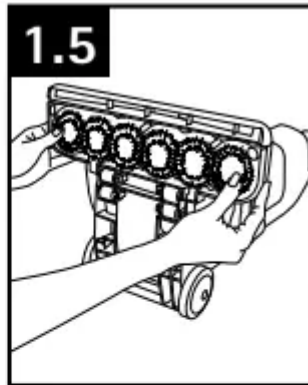
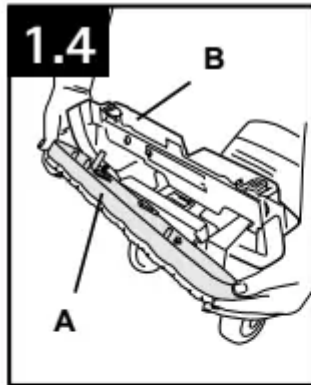
Align post (A) on brush block with hole (B) on bottom of cleaner. Turn brushes slightly until post fits easily into hole.

1.5 Press brush assembly firmly to snap into place.

1.6 To install nozzle, make sure latches (C) are out. Align middle section (D) of nozzle with opening (E) on cleaner.

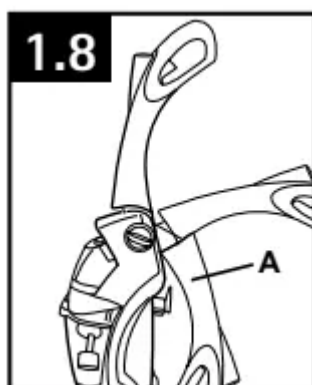
Remove cardboard packing insert from squeegee area on underside of nozzle.

1.7 While holding nozzle in place, slide latches inward to lock in place.



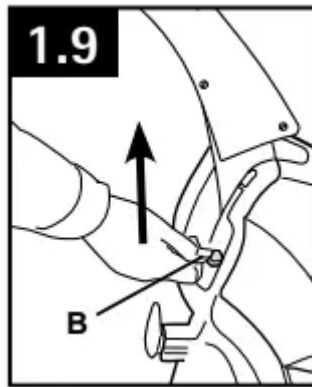
Unfold handle

Raise upper handle (A) to upright position until it locks in place.



How to fold handle

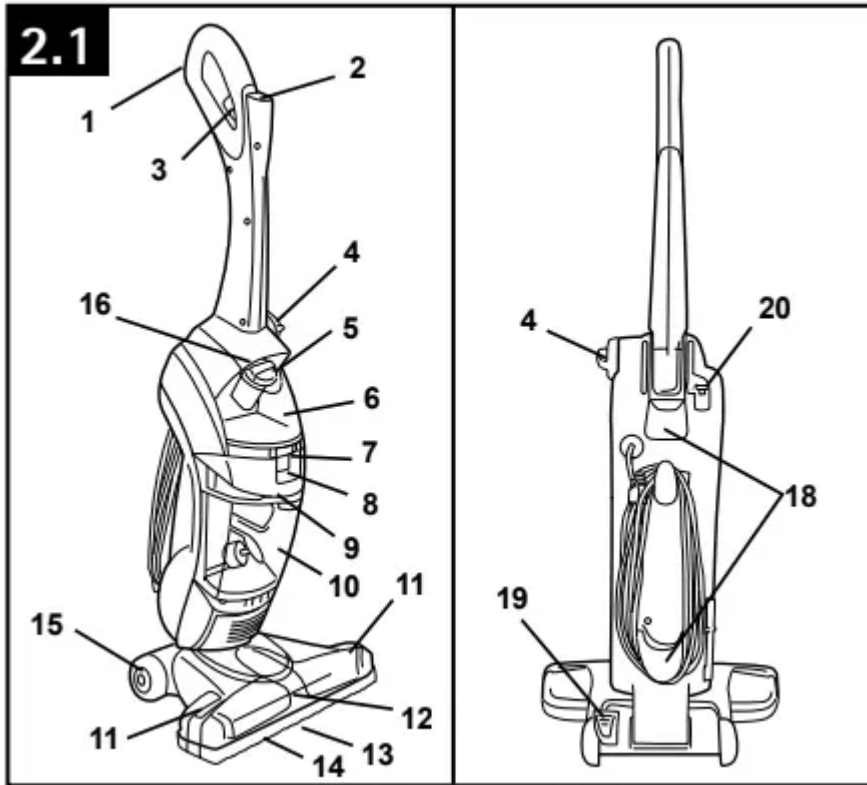
Press upper handle release button (B) to fold handle to storage position



HOW TO USE

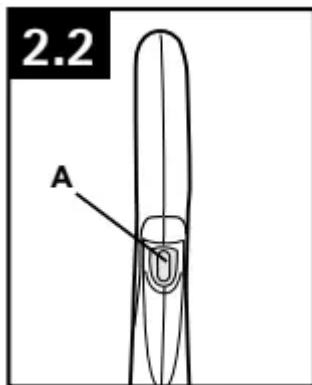
Cleaner Description

1. Soft Hand Grip
2. ON/OFF Switch
3. Solution Trigger: squeeze to release cleaning solution
4. Mode Selector Dial: turns brushes ON for wet washing and OFF for drying and vacuuming
5. Clean Water Solution Tank Cap/ Measuring Cup
6. Clean Water Solution Tank
7. Clean Water Solution Tank Release
8. Dirty Water Tank Release
9. Dirty Water Tank Lid and Filter
10. Dirty Water Tank: collects dry debris as well as dirty cleaning solution
11. Nozzle Release Buttons: release nozzle for easy clean-up (located behind nozzle)
12. Nozzle
13. Squeegee (underneath nozzle)
14. Bumper
15. Soft-tread Wheels
16. Carrying Handle
17. Upper Handle Release Button
18. Cord Hooks: top hook rotates for quick cord release
19. Handle Release Pedal



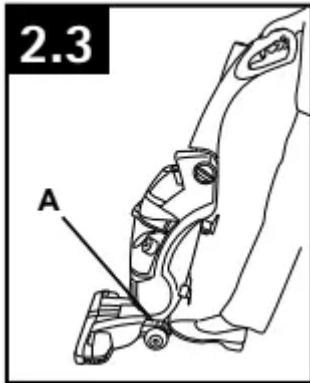
ON/OFF switch

2.2 Push switch (A) once to turn cleaner ON. Push switch again to turn cleaner OFF.



Handle release pedal

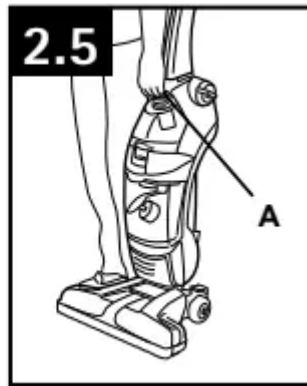
2.3 Step on pedal (A) to lower handle to operating position. Handle does not lock into a single position, but “floats” to allow convenient operation.



Transporting

2.4 To move your cleaner from room to room, put handle in upright position, tilt cleaner back on rear wheels and push forward.

2.5 The cleaner may also be lifted using the carrying handle (A) on the front of the cleaner.



Mode selector dial

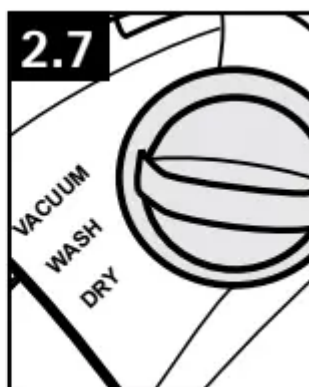
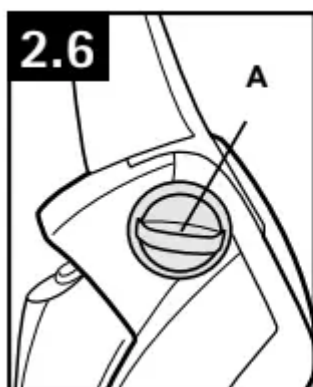
2.6 The Mode selector dial (A) turns the brushes on and off.

2.7 For dry debris pickup, turn the dial to the VACUUM position. In this position, the brushes will not rotate and are raised off the floor surface.

To wet clean with brushes turned ON, turn the dial to the WASH position.

For wet pickup, turn the dial to the DRY position.

Refer to “How to Clean” section for complete cleaning instructions.



The Tanks: Clean Water Solution Tank (upper tank)

Turn cleaner off and disconnect from electrical outlet.

The Clean Water Solution Tank holds detergent and water that is to be dispersed onto the surface being cleaned.

How to Fill

Place carpet cleaner handle in the upright, locked position.

2.8 To remove tank, squeeze release button and pull tank straight out.

Carry tank to a sink.

2.9 Rotate tank cap counter-clockwise and lift up to remove cap (A).

2.10 Turn cap (B) upside down to serve as a measuring cup.

For hard surface floors such as vinyl, linoleum, marble, laminate wood, polyurethane sealed wood or other wood floors that can normally be cleaned using water, use one cup (2 oz.) HOOVER® Hard Floor Detergent.

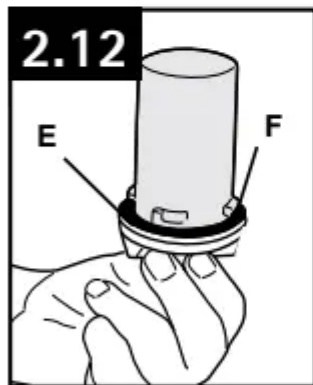
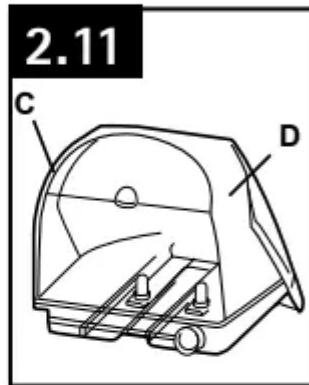
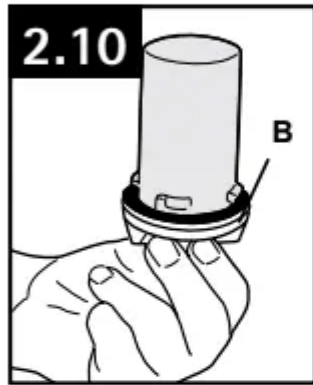
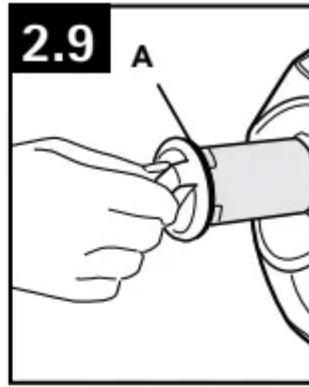
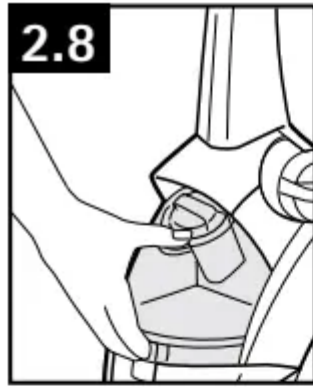
Check for worn spots or joint separations before using, as these conditions could lead to damaged flooring when using water to clean floor.

2.11 Pour cleaning concentrate into tank (C). Fill tank to fill line (D) (1 quart) with warm water.

2.12 If rubber ring (E) on cap has become dislodged, reposition it with uneven side against ledge (F) as shown.

2.13 Replace cap. Rotate cap clockwise until it locks in place. Cap must be locked in place for proper performance and to prevent leaking.

2.14. Slide tank straight into position until latch snaps in place.



Dirty Water Tank (lower tank)

Automatic “Shut Off”

An automatic suction shut-off is built into the Dirty Water Tank to prevent the tank from overflowing.

When the shut-off activates, the cleaner will not pick up debris and the sound of the motor will change. The Dirty Water Tank is full and must be emptied.

How to Empty

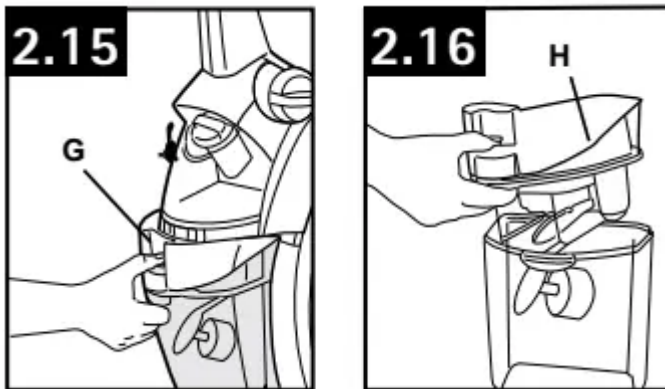
Turn cleaner off and disconnect from electrical outlet.

Although not necessary for satisfactory performance, it is recommended that the Dirty Water Tank be emptied after dry vacuuming and before wet operation.

Check the Clean Water Solution Tank also. It may need to be refilled at this time.

2.15 To remove tank, press down on release button (G) and pull tank straight out.

2.16 Remove tank lid (H). Empty tank.



Filters

The tank lid contains a washable, reusable filter. Clean this filter when suction is low or reduced.

How to Clean

Turn cleaner off and disconnect from electrical outlet.

2.17 Remove Dirty Water Tank and lid (Figs. 2.15 & 2.16). Remove filter lid (A), then remove filter (B). Remove loose debris from filter by tapping the filter or gently brushing using your hand. The filter may also be rinsed for additional cleaning. Allow filter to air dry between uses.

Reposition filter.

2.18 Replace filter lid. Press down firmly until snapped in place.

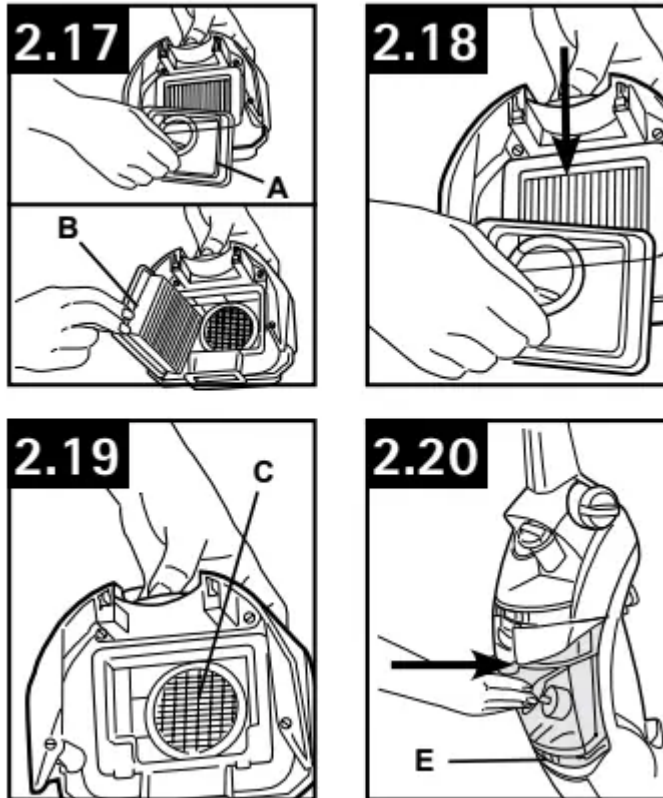
Dry or loose debris will also collect on the filter screen located in the tank lid.

2.19 To remove debris from screen, remove the pleated filter from the lid. Remove debris from screen (C).

The filter screen may also be cleaned by rinsing it under running water.

Reposition pleated filter in lid. Replace lid onto Dirty Water Tank, pressing down firmly until snapped in place.

2.20 To replace Dirty Water Tank, place bottom of tank behind ledge (D) and push tank straight into cleaner body until it is locked in place.



HOW TO CLEAN

Recommended cleaning sequence

Use your HOOVER® FloorMate™ SpinScrub® Cleaner to:

- **VACUUM**: Vacuum to remove loose dirt, hair and debris.
- **WASH**: Clean the floor surface. The brushes will provide light agitation to help loosen dirt.
- **DRY**: Pickup reduces drying time of the floor surface.

The Mode selector dial turns the brushes on and off.

3.1 For dry debris pickup, turn the dial to the VACUUM position. In this position, the brushes will not rotate and are raised off the floor surface.

To wet clean with brushes turned ON, turn the dial to the WASH position.

For wet pickup, turn the dial to the DRY position.



Cleaning floors

If using cleaner on sealed wood floors, inspect floor surface for worn finish, bare wood or separated joints. Do not use FloorMate™ SpinScrub® cleaner to wet clean sealed wood floors if any of these conditions exist.

Set Mode selector dial to VACUUM position and vacuum floor.

Turn cleaner off and disconnect from electrical outlet. Empty Dirty Water Tank (see Figs. 2.15 & 2.16)

Fill Clean Water Solution Tank with either Floor to

Floor Cleaning Concentrate or Grout Cleaner, depending upon the type of floor being cleaned, and water (see Figs. 2.8 through 2.14).

Do not use solvent based cleaning concentrates in your cleaner. Do not use any type of wax in your cleaner.

Turn Mode selector dial to WASH position.

Dry hands and plug cleaner into a properly grounded outlet.

Step on handle release pedal and lower handle to operating position. Turn cleaner ON.

3.2 To release solution, squeeze trigger (A). Slowly move cleaner forward and backward over area to be cleaned.

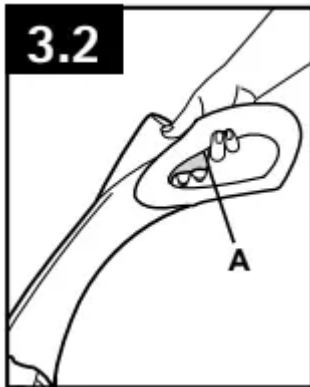
Squeeze trigger to release solution as needed.

Overlap strokes by one inch to help prevent streaking. The cleaner's suction will pick up the dirty solution throughout cleaning.

To greatly enhance drying of the floor surface, release trigger and turn Mode selector dial to the DRY position. Continue to move cleaner over the area to pick up the dirty solution.

To continue cleaning another area, turn Mode selector dial to WASH position. Repeat cleaning motion.

Empty Dirty Water Tank or clean the filter when the motor sound becomes higher in pitch and there is a loss of suction (see "Automatic shut-off" section).



IMPORTANT

Your HOOVER® FloorMate™ SpinScrub® cleaner may be used to clean wood floors that have been sealed with a polyurethane coating and can be cleaned with water.

When cleaning sealed wood floors, make sure all areas are completely dry. Ensure that no water remains on the floor.

When switching between wet cleaning and wet pickup, it is not necessary to turn the cleaner off. Simply move the Mode selector dial between the two settings.

CAUTION ! To prevent damage to wood floors, follow the flooring manufacturer's cleaning recommendations.

Picking up spills

Your cleaner may also be used to pick up small liquid spills (1 quart or less, never to exceed 1/4 inch in depth) on non-carpeted floors. Turn Mode selector dial to the WASH position and release the trigger. Continue to move cleaner over the area to pick up the spill.

CAUTION ! Do not use the cleaner to pick up flammable or combustible liquids or chemicals. Do not use the cleaner to pick up detergents that contain solvent based ingredients.

MAINTENANCE

Familiarize yourself with these home maintenance tasks as proper use and care of your cleaner will ensure continued cleaning effectiveness.

Any other servicing should be done by an authorized service representative.

Nozzle: How to Clean

Your carpet cleaner is equipped with removable brushes for easy cleaning.

CAUTION ! To reduce the risk of injury from moving parts, unplug cleaner before servicing.

4.1 Slide the two nozzle release latches (A) outward.

4.2 Remove nozzle (B) by pulling straight out.

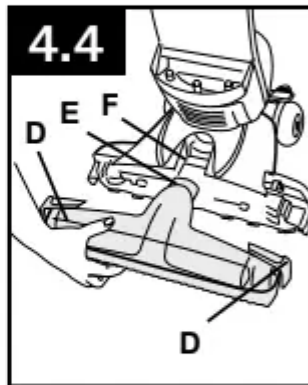
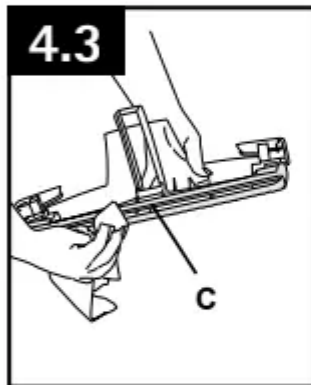
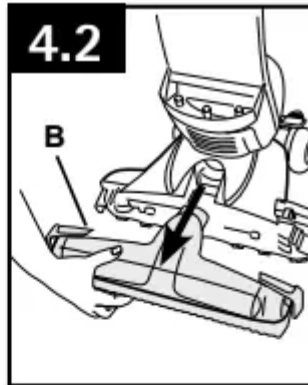
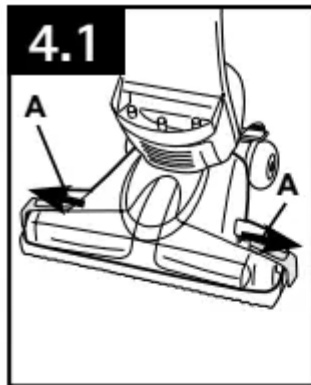
4.3 Rinse nozzle under running water. Remove debris from squeegee (C) and wipe with a damp cloth.

4.4 To replace nozzle, make sure latches (D) are out.

Cleaner should be in the upright position for easier assembly of the nozzle.

Align middle section (E) of nozzle with opening (F) on cleaner.

4.5 While holding nozzle in place, slide latches inward to lock in place.



BRUSHES: How to Change and Clean

The brush assembly can be removed for easy cleaning.

CAUTION ! To reduce the risk of injury from moving parts, unplug cleaner before servicing.

How to Remove

Place handle in the upright position.

Remove tanks to prevent leaking. Set aside.

4.6 Pull the two nozzle release buttons (A) out. Remove nozzle.

Tilt cleaner back so handle rests on floor.

4.7 Push two brush release buttons (B) and remove the brush assembly.

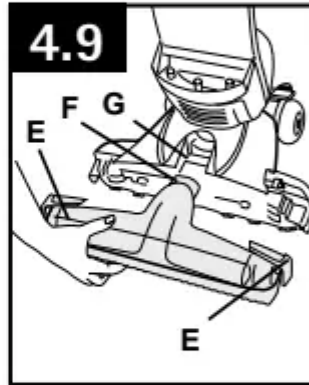
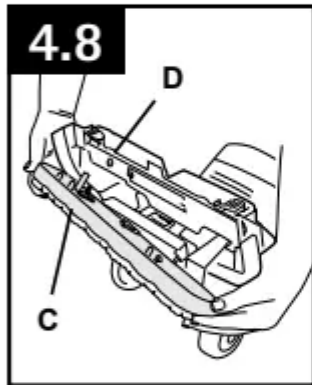
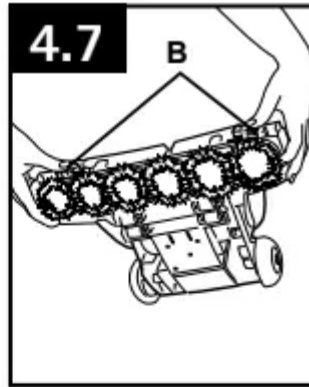
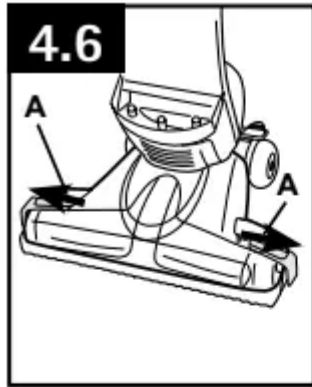
The brushes can be washed with a mild detergent and rinsed. Do not use a solvent based detergent.

How to Replace

4.8 To replace brushes, align post (C) on brush block with hole (D) on bottom of cleaner. Turn brushes slightly until post fits easily into hole. Press brush assembly firmly to snap into place.

4.9 Return cleaner to upright position. Replace nozzle, making sure latches (E) are out. Align middle section (F) of nozzle with opening (G) on cleaner.

4.10 While holding nozzle in place, slide latches inward to lock in place. Replace tanks.



Storage

Before storing cleaner:

Turn cleaner OFF and disconnect from electrical outlet.

- Empty and rinse solution and Dirty Water Tanks. Allow to air dry.
- Press on upper handle release button to lower handle for storage.
- Make sure that nothing is pressing on the nozzle squeegee.
- Do not store cleaner on a wood surface unless cleaner is completely dry.

Lubrication

The motor is equipped with bearings which contain sufficient lubrication for the life of the motor. The addition of lubricant could cause damage. Do not add lubricant to motor bearings.

TROUBLESHOOTING

If a minor problem occurs, it usually can be solved quite easily when the cause is found by using the checklist below.

Any other servicing should be done by an authorized service representative.

Cleaner won't run

1. Power cord not firmly plugged into outlet.
 - Plug unit in firmly.
2. Blown fuse or tripped breaker.
 - Check fuse or breaker in home. Replace fuse/reset breaker in home.

Low suction

1. Washable Filter is dirty.
 - Clean Washable Filter.
2. Dirty Water Tank full and the automatic shut-off engaged.
 - Empty the Dirty Water Tank.
3. Tanks not in place.
 - Make sure tanks are locked in place.
4. Filter or Filter lid not in place.
 - Make sure Filter and Filter lid are properly positioned.
5. Nozzle not in place. 5
 - Make sure Nozzle is replaced properly and locked.

Water puddling behind cleaner

1. Wrong detergent used.
 - Use recommended detergents to reduce foaming.
2. Clean Water Solution Tank not in place.
 - Make sure Clean Water Solution Tank is installed properly.

3. Dirty water tank full.

- Empty dirty water tank.

Won't pick up dirty solution

1. Dirty Water Tank not in place.

- Make sure Dirty Water Tank is installed properly.

2. Dirty water tank full.

- Empty Dirty Water Tank.

3. Filter or Filter lid not in place.

- Make sure Filter and Filter lid are properly positioned.

Cleaner solution won't dispense

1. Tanks not in place.

- Make sure tanks are locked in place.

2. Clean Water Solution Tank is empty.

- Refill Clean Water Solution Tank.

Brushes won't rotate

1. Blown fuse or tripped breaker.

Check fuse or breaker in home. Replace fuse/reset breaker in home.

1. Push ON/OFF switch to turn cleaner OFF.
2. Unplug the cleaner.
3. Wait one minute.
4. Plug the cleaner into electrical outlet.
5. Push the ON/OFF switch again to turn cleaner ON.

If the brushes continue to stall and the breaker trips again, clean the brushes to remove debris.

SERVICE

To obtain approved Hoover® service and genuine Hoover® parts, locate the nearest Authorized Hoover® Warranty Service Dealer (Depot) by:

- Checking the Yellow Pages under "Vacuum Cleaners" or "Household".

- Visit our website at hoover.com (U.S. Customers) or hoover.ca (Canadian customers). Follow the service center link to find the service outlet nearest you.
- For an automated referral of authorized service outlet locations call 1-800-944-9200.

Do not send your vacuum to Hoover®, Inc., Company in Glenwillow for service. This will only result in delay.

If you need further assistance:

To speak with a customer service representative call 1-800-263-6376; Mon-Fri 8am-7pm EST. In Canada, contact Hoover® Canada, Toronto: 755 Progress Ave., Scarborough, ON M1H 2W7 OR Hoover® Canada, Edmonton: 18129-111 Ave., Edmonton, AB T5W 2P2, Phone: 1-800-263-6376, Mon-Fri 8am-7pm EST. Always identify your vacuum by the complete model number when requesting information or ordering parts. (The model number appears on the bottom of the vacuum.)

Please do not return this product to the store.

Warning

This content is compiled from multiple sources and is provided for reference purposes only. It may not be complete or fully applicable to all situations. If you are unable to resolve your issue, please contact the product manufacturer or an authorized service provider for official support.