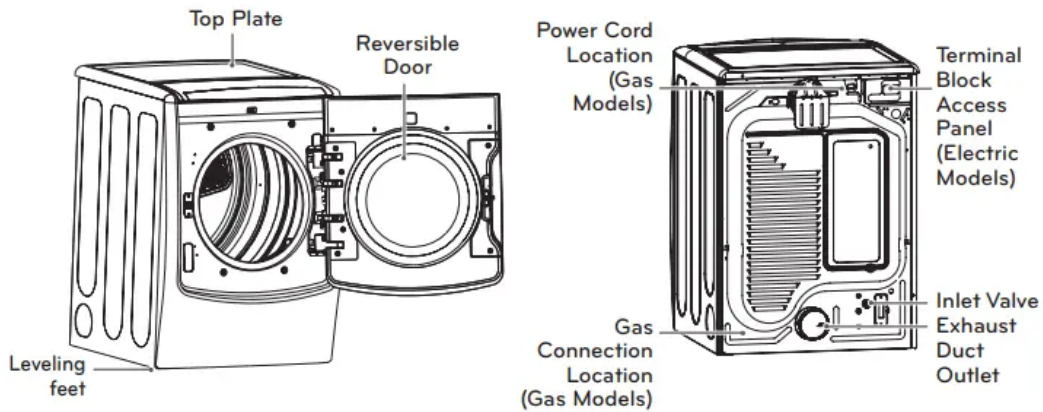


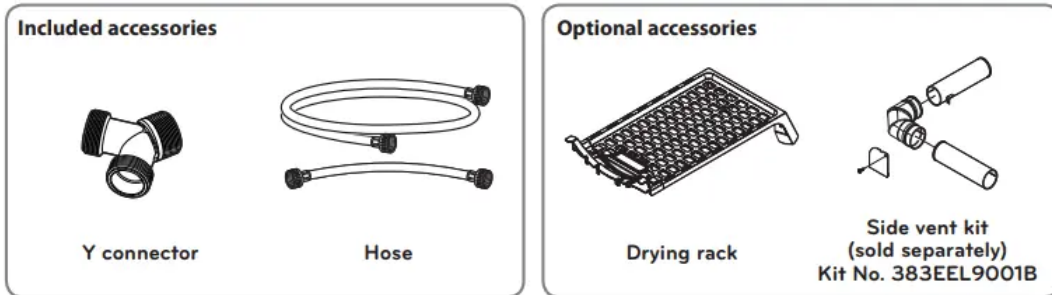
# PRODUCT OVERVIEW

## PARTS AND ACCESSORIES

### Parts



### Accessories

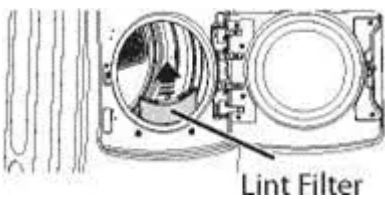


### Control Panel Features



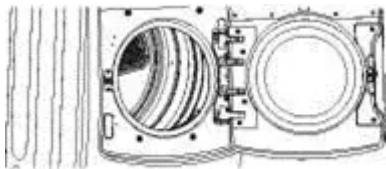
### Operation





If the lint filter has not already been cleaned, lift out the filter and remove the lint from the last load. This will help ensure the fastest and most efficient drying performance.

## 2. LOAD THE DRYER



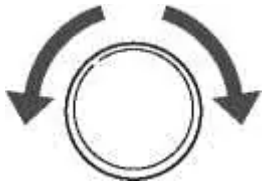
Load the dryer with the wet laundry from the washer. If the load is extra large, you may need to divide it into smaller loads for proper performance and fabric care.

## 3. TURN ON THE DRYER



Press the POWER button to turn on the dryer. The cycle LEDs illuminate and a signal sounds, if turned on. Refer to page 12.

## 4. SELECT A CYCLE



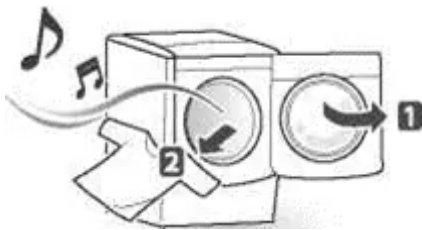
Turn the cycle selector knob in either direction until the LED for the desired cycle is on. The preset temperature, dry level, and option settings for that cycle will be shown. Refer to page 35. Default settings for the selected cycle can now be changed if desired. This can be done using the cycle modifier buttons as shown on page 38. Cycle options can be added using the option buttons as shown on page 38-41.

## 5. BEGIN CYCLE



Press the Hold to Start button to begin the cycle. The cycle can be paused at any time either by opening the door or by pressing the Hold to Start button. If the cycle is not restarted within 4 minutes, the dryer will shut off and the cycle settings will be lost.

## 6. END OF CYCLE

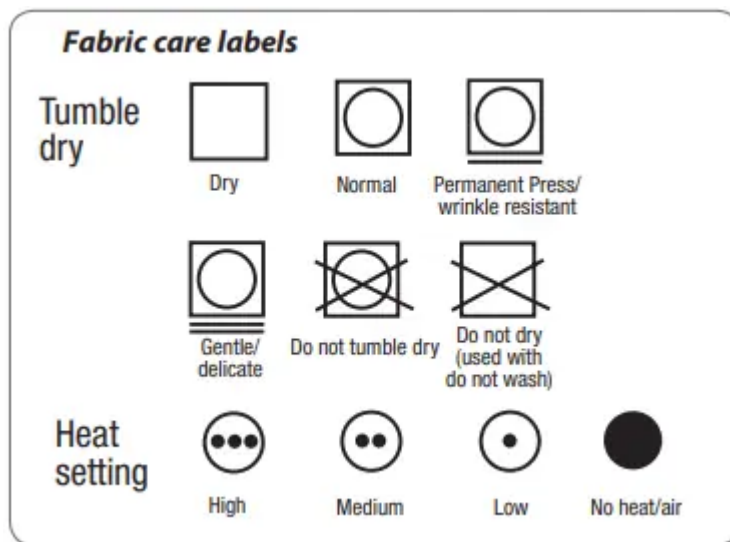


When the cycle is finished, the chime will sound if it is set. Remove your clothing from the dryer immediately to reduce wrinkling. If WRINKLE CARE is selected, the dryer will tumble briefly every few minutes to help prevent wrinkles from setting in the clothes.

## Sorting Loads

### Fabric care labels

Most articles of clothing feature fabric care labels that include instructions for proper care.

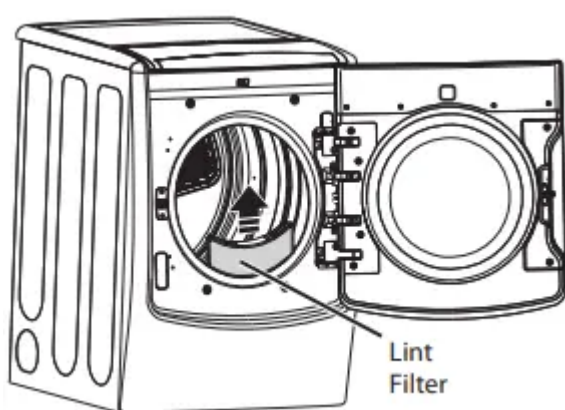


### Grouping Similar

Items For best results, sort clothes into loads that can be dried with the same drying cycle. Different fabrics have different care requirements, and some fabrics will dry more quickly than others.

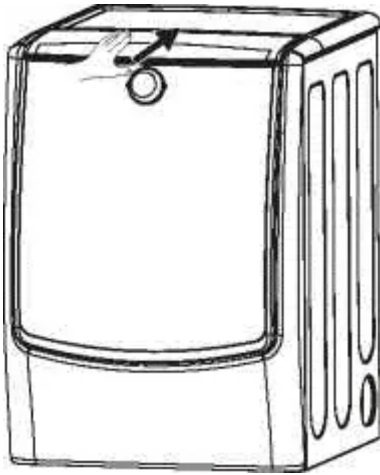
### Check the Lint Filter before Every Load

Always make sure the lint filter is clean before starting a new load; a clogged lint filter will increase drying times. To clean, pull the lint filter straight up and roll any lint off the filter with your fingers. Do not rinse or wash the filter to remove lint. Push the lint filter firmly back into place. See **Regular Cleaning** for more information. Always ensure the lint filter is properly installed before running the dryer. Running the dryer with a loose or missing lint filter will damage the dryer and articles in the dryer.



### Storage Under the Lid

- Under the lid are three small storage spaces.
- To open the lid, slide it back.



## Using the Lid

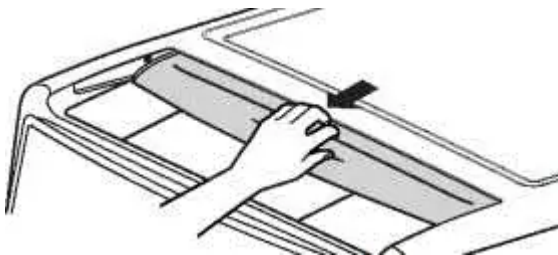
### Opening the lid

- Push the front handle to slide the lid open.



### Closing the lid

- Pull the top of the handle to slide the lid closed.



## Cycle Modifier Buttons

SENSOR DRY cycles have preset settings that are selected automatically. MANUAL DRY cycles have default settings, but you may also customize the settings using the cycle modifier buttons.

Press the button for that option to view and select other settings.

### **DRY LEVEL**

Selects the level of dryness for the cycle. Press the DRY LEVEL button repeatedly to scroll through available settings.

- This option is only available with SENSOR DRY cycles.

- The dryer will automatically adjust the cycle time. Selecting MORE or VERY increases the cycle time, while LESS or DAMP decreases the cycle time.
- Use a LESS or DAMP setting for items that you wish to iron.

### **TEMP.**

Adjusts the temperature setting from ULTRA LOW to HIGH. This allows precise care of your fabrics and garments. Press the TEMP. button repeatedly to scroll through available settings.

### **TIME DRY**

Allows you to manually select the drying time, from 20 to 60 minutes, in 10-minute increments. Use this for small loads or to remove wrinkles. Use the MORE TIME/ LESS TIME buttons to add or reduce the drying time in 1-minute increments.

Your dryer features several additional cycle options to customize cycles to meet your individual needs. Certain option buttons also feature a special function (see the following page for details) that can be activated by pressing and holding that option button for 3 seconds.

### **To Add Cycle Options to a Cycle:**

1. Turn on the dryer and turn the cycle selector knob to select the desired cycle.
2. Use the cycle modifier buttons to adjust the settings for that cycle.
3. Press the cycle option button(s) for the option you would like to add. A confirmation message is shown in the display.
4. Press the Hold to Start button to start the cycle. The dryer starts automatically.

### **SIGNAL**

Adjusts the volume of the Signal or turns off the Signal. Press the button repeatedly until the desired volume setting is illuminated.

## **Special Functions**

The option buttons also activate special functions, including CHILD LOCK.

Select the option by pressing the option button. Press and hold the option button to select special features marked with the asterisk (\*), such as Child Lock.

### **\* CHILD LOCK**

Use this option to prevent unwanted use of the dryer or to keep cycle settings from being changed while the dryer is operating.

Press and hold the button for 3 seconds to activate or deactivate the CHILD LOCK function.

The CHILD LOCK icon is shown in the display, and all controls are disabled except the POWER button.

### **NOTE**

Once set, CHILD LOCK remains active until it is manually deactivated. CHILD LOCK must be turned off to run another cycle.

To deactivate CHILD LOCK, press and hold the button for three seconds.

### ***DAMP DRY SIGNAL***

With this option, the dryer signals when the load is approximately 80% dry. This allows you to remove faster-drying lightweight items or items that you would like to iron or hang while still slightly damp. Press the DAMP DRY SIGNAL button.

### ***WRINKLE CARE***

Selecting this option will tumble the load periodically for up to 3 hours after the selected cycle, or until the door is opened. This is helpful in preventing wrinkles when you are unable to remove items from the dryer immediately.

### ***ENERGY SAVER***

This option helps to reduce the energy consumption in the Normal cycle, depending on the load size.

When the Energy Saver option is selected, the cycle begins with an air dry section and the drying time is increased.

### ***SMART GRID***

Lower your energy costs when you dry your clothes by avoiding peak usage times. See the Smart Connectivity section for more information.

### ***\*REMOTE START***

Use a smart phone to control the dryer remotely. See the Smart Connectivity section for more information.

## **Custom Program**

If you have a special combination of settings that you use frequently, you can save these settings as a CUSTOM PROGRAM.

### ***To Save a Custom Program:***

1. Turn on the dryer and turn the cycle selector knob to select the desired cycle.
2. Use the cycle modifier buttons to adjust the settings for that cycle.
3. Press the cycle option button(s) for the option you would like to add. A confirmation message will be shown in the display.
4. Press and hold the PGM Save button for 3 seconds.

## **NOTE**

You may save only one custom program at a time. Pressing and holding the PGM Save button will overwrite any previously saved custom program.

### ***Recalling a Custom Program***

1. Turn on the dryer.
2. Press the CUSTOM PGM button.
3. Press the Hold to Start button to start the cycle.

## **Steam Functions**

LG's new steam technology allows you to inject fabrics with a swirling jet of hot steam to refresh clothes.

Simply select the STEAM FRESH™ cycle, or you can add a steam option to selected cycles.

### ***The STEAM FRESH™ Cycle***

STEAM FRESH™ uses the power of steam to quickly reduce wrinkles and odor in fabrics. It brings new life to wrinkled clothes that have been stored for an extended time and makes heavily wrinkled clothes easier to iron. STEAM FRESH™ can also be used to help reduce odors in fabrics.

#### **NOTE**

- The TurboSteam option is activated by default when the Steam Fresh™ or Steam Sanitary™ cycles are selected.
- Depending on the load (quantity of items), you may change the amount of time for the cycle by pressing the MORE TIME or LESS TIME button. The display will show 1,3, 5, or faj **3.3** means 3 or fewer items, 5 is for 4 or 5 items, and fa\* **3** indicates a large load such as a comforter.

### ***Using the STEAM FRESHTM Cycle***

1. Turn on the dryer and turn the cycle selector knob to select the STEAM FRESH™ cycle.
2. To add an option function, select TurboSteam, or WRINKLE CARE.
3. Depending on the load (quantity of items), steam time can be changed by pressing the MORE TIME or LESS TIME buttons.
4. Press Hold to Start to start the cycle.

### ***Adding STEAM to a Standard Cycle***

1. Turn on the dryer and turn the cycle selector knob to select the Normal, Perm. Press, or Heavy Duty cycle.
2. Use the cycle modifier buttons to adjust the settings for that cycle.
3. Press the TurboSteam button.
4. Press Hold to Start to start the cycle.

## NOTE

- After the TurboSteam option is selected in TIME DRY, the MORE TIME or LESS TIME buttons will change the steam time ONLY.
- After pressing Hold to Start, the MORE TIME or LESS TIME buttons are disabled.

### ***The STEAM SANITARY™ Cycle***

The STEAM SANITARY™ cycle is ideal for sanitizing nonwashable items quickly and easily using only steam.

This cycle is recommended for use with cotton and polyester materials only. (Do NOT use for urethane foam, down feathers or delicate items)

## MAINTENANCE

### **Regular Cleaning**

#### ***Cleaning the Exterior***

Proper care of the dryer can extend its life.

The outside of the machine can be cleaned with warm water and a mild, nonabrasive household detergent. Immediately wipe off any spills with a soft, damp cloth.

#### ***Cleaning the Interior***

Wipe around the door opening and seal with a soft, damp cloth to prevent lint and dust buildup that could damage the door seal.

Clean the window with a soft cloth dampened with warm water and a mild, nonabrasive household detergent; then wipe dry.

The stainless steel drum can be cleaned with a conventional stainless steel cleaner, used according to the manufacturer's specifications.

Never use steel wool or abrasive cleansers; they can scratch or damage the surface.

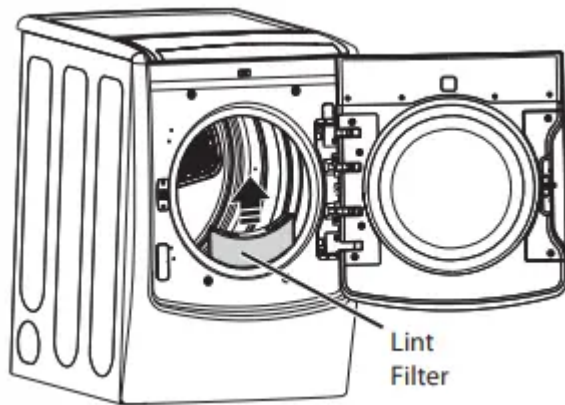
***Cleaning Around and Under the Dryer*** Vacuum lint and dust from around the dryer and underneath it regularly. Vent ductwork should be checked for lint buildup and cleaned at least once per year. If any noticeable reduction in airflow or drying performance occurs, immediately check ductwork for obstructions and blockages.

#### ***Maintaining Ductwork***

Vent ductwork should be checked for lint buildup and cleaned at least once per year. If any noticeable reduction in airflow or drying performance occurs, immediately check ductwork for obstructions and blockages. Contact a qualified technician or service provider.

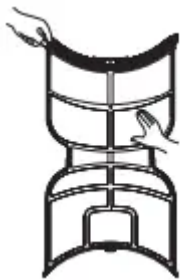
#### ***Cleaning the Lint Filter***

Always clean the lint filter after every cycle.



To clean, open the dryer door and pull the lint filter straight up. Then:

1. Roll any lint off the filter with fingers, or



2. Vacuum the lint filter, or



3. If the lint filter has become very dirty or clogged with fabric softener, wash the lint filter in warm, soapy water and allow to dry thoroughly before reinstalling.



# TROUBLESHOOTING

## Before Calling for Service

Your dryer is equipped with an automatic error-monitoring system to detect and diagnose problems at an early stage. If your dryer does not function properly or does not function at all, check the following before you call for service.



Problem	Possible Causes	Solutions
Dryer will not turn on	<ul style="list-style-type: none"> <li>• Power cord is not properly plugged in.</li> <li>• House fuse is blown, circuit breaker has tripped, or power outage has occurred.</li> </ul>	<ul style="list-style-type: none"> <li>• Make sure that the plug is plugged secure into the outlet matching the dryer's rating plate.</li> <li>• Reset circuit breaker or replace fuse. Do not overload the circuit. If the problem is a circuit overload, call for service by a qualified electrician.</li> </ul>
Dryer does not heat	<ul style="list-style-type: none"> <li>• House fuse is blown, circuit breaker has tripped, or power outage has occurred.</li> <li>• Gas supply or service turned off (gas models only).</li> <li>• Energy Saver option selected</li> </ul>	<ul style="list-style-type: none"> <li>• Reset circuit breaker or replace fuse. Do not overload the circuit. If the problem is a circuit overload, call for service by a qualified electrician.</li> <li>• Confirm that the house gas shutoff and the gas valve are both fully open.</li> <li>• If using the Cotton/Normal cycle, deselect the Energy Saver option. The Energy Saver option is selected by default. The Energy Saver option reduces energy use by adding an air fluff cycle at the beginning of the cycle. It is normal to feel no heat at the beginning of the cycle while in Energy Saver mode.</li> </ul>
Greasy or dirty spots on clothes	<ul style="list-style-type: none"> <li>• Fabric softener used incorrectly.</li> <li>• Clean and dirty clothes being dried together.</li> </ul>	<ul style="list-style-type: none"> <li>• Confirm and follow the instructions provided for the use of fabric softener.</li> <li>• Make sure to use your dryer to dry only clean clothes. Dirty items can soil clean clothes placed in subsequent loads.</li> <li>• Stains on dried clothes are actually stains that were not removed during the washing process. Make sure that clothes are being completely washed. Refer to the instructions for your washer and detergent.</li> </ul>
Display shows error code tE1 or tE2	<ul style="list-style-type: none"> <li>• Thermistor is malfunctioning.</li> </ul>	<ul style="list-style-type: none"> <li>• Turn off the dryer and call for service.</li> </ul>



<p>Lint on clothes</p>	<ul style="list-style-type: none"> <li>• Lint filter not cleaned properly.</li> <li>• Laundry not sorted properly.</li> <li>• Excess static in clothes.</li> <li>• Dryer is overloaded.</li> <li>• Tissue, paper, etc, left in pockets.</li> </ul>	<ul style="list-style-type: none"> <li>• Make sure the lint filter is cleaned before some loads that produce high amounts of lint. It may be necessary to clean the filter during the cycle.</li> <li>• Some fabrics are lint producers (i.e., a full towel) and should be dried separately from lint-trappers (i.e., a pair of black linen pants).</li> <li>• See the Excess static in clothes after drying section.</li> <li>• Divide larger loads into smaller loads for drying.</li> <li>• Check pockets thoroughly before washing.</li> </ul>
<p>Excess static in clothes after drying</p>	<ul style="list-style-type: none"> <li>• Fabric softener not used or used incorrectly.</li> <li>• Clothes dried too long (overdried).</li> <li>• Drying synthetics, permanent press, or synthetic blends.</li> </ul>	<ul style="list-style-type: none"> <li>• Use a fabric softener to reduce static electricity. Do not use fabric softeners or products to eliminate static if not recommended by the manufacturer of the product.</li> <li>• Overdrying a load of laundry can cause a buildup of static electricity. Adjust settings and use a shorter cycle, such as SENSOR DRY cycles.</li> <li>• These materials can cause static buildup. Use a fabric softener.</li> </ul>
<p>Display shows error code PS</p>	<ul style="list-style-type: none"> <li>• Power cord connection is incorrect.</li> </ul>	<ul style="list-style-type: none"> <li>• Check the connection of power cord to the dryer. Refer to pages 23-27 in this manual.</li> </ul>
<p>Drying time is not consistent</p>	<ul style="list-style-type: none"> <li>• Heat settings, load size, or dampness of clothing is not consistent.</li> </ul>	<ul style="list-style-type: none"> <li>• The drying time for a load will vary depending on the heat setting, the type of heat used (electric, natural gas), the size of the load, the type of fabrics, the condition of the clothes, and the condition of the exhaust duct.</li> </ul>



<p>Clothes take too long to dry</p>	<ul style="list-style-type: none"> <li>• Load is not properly sorted.</li> <li>• Large load of heavy fabrics.</li> <li>• Dryer controls are not set properly.</li> <li>• Lint filter needs to be cleaned.</li> <li>• Exhaust ducts blocked, dirty, or duct run is too long.</li> <li>• House fuse is blown, circuit breaker has tripped, or power outage has occurred.</li> <li>• Dryer is overloaded.</li> <li>• Dryer is underloaded.</li> <li>• Energy Saver option selected</li> </ul>	<ul style="list-style-type: none"> <li>• Separate heavy items from lightweight items. Heavier items take longer to dry.</li> <li>• Heavy fabrics take longer to dry because they contain more moisture. To help reduce and maintain shorter drying times for large and heavy fabrics, separate them into smaller loads of a consistent size.</li> <li>• Use the appropriate control settings for the items you are drying.</li> <li>• Make sure the lint filter is cleaned before starting some loads that produce high amounts of lint. It is necessary to clean the filter during the cycle.</li> <li>• Confirm that the exhaust ductwork is properly installed, free of debris, lint and obstructions. Make sure the dampers can open properly and are not blocked or damaged.</li> <li>• Reset circuit breaker or replace fuse. Do not exceed capacity. If the problem is a circuit overload, call an electrician by a qualified electrician.</li> <li>• Divide larger loads into smaller loads for drying.</li> <li>• If you are drying a very small load, add a few items to ensure proper tumbling action.</li> <li>• If using the Cotton/Normal cycle, deselect the Energy Saver option. This option reduces energy use by delaying the start of the section to the beginning of the cycle.</li> </ul>
<p>Clothes are wrinkled</p>	<ul style="list-style-type: none"> <li>• Clothes dried too long (overdried).</li> <li>• Clothes left in dryer too long after cycle ends.</li> </ul>	<ul style="list-style-type: none"> <li>• Overdrying a load of laundry can lead to wrinkles. Use a shorter drying time, and remove items with a slight amount of moisture.</li> <li>• Remove items from the dryer immediately after the cycle. Use the WRINKLE CARE option to reduce wrinkles in clothes at the end of the cycle, for up to 3 hours.</li> </ul>
<p>Clothes are shrinking</p>	<ul style="list-style-type: none"> <li>• Garment care instructions are not being followed.</li> </ul>	<ul style="list-style-type: none"> <li>• To avoid shrinkage, please carefully follow the care instructions for your garment, because some fabrics naturally shrink when washed. Other fabrics will shrink when dried in a dryer. Use a low heat setting.</li> </ul>



<p>Rdd indicator light is on during the drying cycle</p>	<ul style="list-style-type: none"> <li>• Water supply error.</li> </ul>	<ul style="list-style-type: none"> <li>• Check steam feeder drawer:             <ol style="list-style-type: none"> <li>(1) Make sure steam feeder is filled with water.</li> <li>(2) Make sure steam feeder is seated properly and fully closed.</li> <li>(3) Turn the dryer off then restart the Steam Feeder.</li> </ol> </li> <li>• Do not use distilled water; the water level sensor generator will not work.</li> <li>• The pump is not working. Unplug the dryer and call for service.</li> </ul>
<p>Water drips from nozzle when Steam Cycle starts</p>	<ul style="list-style-type: none"> <li>• This is normal.</li> </ul>	<ul style="list-style-type: none"> <li>• This is steam condensation. The dripping will stop after a short time.</li> </ul>
<p>The display shows *d90" -d95"</p>	<ul style="list-style-type: none"> <li>• The duct work is about 90%-95% blocked. ("d90" or "d95" error code displayed 2 hours only)</li> <li>• House exhaust system blocked.</li> </ul>	<ul style="list-style-type: none"> <li>• <b>Do not</b> use the dryer until the exhaust system is cleaned and/or repaired. Using the dryer with a restricted exhaust is dangerous and could cause fire or other property damage.</li> <li>• Check the outside dryer vent while the dryer is running to make sure there is strong airflow.</li> <li>• If the exhaust system is extremely long, have it rerouted.</li> <li>• Keep the area around the dryer clean and free of lint.</li> <li>• Check the vent hood for damage or lint clogs.</li> <li>• Make sure the area around the vent hood is clear.</li> </ul>
<p>Steam does not generate but no error code is shown</p>	<ul style="list-style-type: none"> <li>• Water level error.</li> </ul>	<ul style="list-style-type: none"> <li>• Unplug dryer and call for service.</li> </ul>
<p>Garments still wrinkled after STEAM FRESH"</p>	<ul style="list-style-type: none"> <li>• Too many or too different types of garments in dryer.</li> </ul>	<ul style="list-style-type: none"> <li>• Small loads of 1 to 5 items work best.</li> <li>• Load fewer garments. Load similar-type garments.</li> </ul>
<p>There are no creases left on garment after STEAM FRESH"</p>	<ul style="list-style-type: none"> <li>• The function of this cycle is to remove wrinkles from fabric.</li> </ul>	<ul style="list-style-type: none"> <li>• Use an iron to make creases.</li> </ul>



Water drips from door during Steam Cycle	<ul style="list-style-type: none"> <li>• This is normal.</li> </ul>	<ul style="list-style-type: none"> <li>• Condensation will normally form on the inside of the door during steam operation. Some condensation may form on the bottom of the door.</li> </ul>
Steam is not visible during Steam Cycle	<ul style="list-style-type: none"> <li>• This is normal.</li> </ul>	<ul style="list-style-type: none"> <li>• Steam vapor is difficult to see when the door is closed. However, condensation will normally form on the inside of the dryer door if the steam system is operating.</li> </ul>
Drum does not turn during Steam Cycle	<ul style="list-style-type: none"> <li>• This is normal.</li> </ul>	<ul style="list-style-type: none"> <li>• The drum is turned off so that the steam can be released from the drum. The drum will normally turn for about 30 seconds at the end of the cycle.</li> </ul>
Cannot see steam vapor at the beginning of cycle	<ul style="list-style-type: none"> <li>• This is normal.</li> </ul>	<ul style="list-style-type: none"> <li>• Steam is released at different stages of the cycle depending on the steam option.</li> </ul>
The display shows g	<ul style="list-style-type: none"> <li>• MORE TIME button pressed.</li> </ul>	<ul style="list-style-type: none"> <li>• This display indicates that the steam option is not available for the item such as a comforter. Press the LESS TIME button to reduce the time.</li> </ul>
Odors remain in clothing after STEAM FRESH"	<ul style="list-style-type: none"> <li>• STEAM FRESH" did not remove odor completely.</li> </ul>	<ul style="list-style-type: none"> <li>• Fabrics containing strong odors should be dried in a separate cycle.</li> </ul>
CHECK FILTER light is on during the drying cycle	<ul style="list-style-type: none"> <li>• Lint filter is almost clogged or full.</li> </ul>	<ul style="list-style-type: none"> <li>• Pause the drying cycle and clean the lint filter.</li> </ul>
FLOW SENSE™ indicator shows four bars during the drying cycle or the display shows "d80" after drying.	<ul style="list-style-type: none"> <li>• Ductwork is too long or has too many turns/restrictions.</li> <li>• Significant blockage of the ductwork due to lint buildup or debris.</li> <li>• The appliance has detected a restriction in the external dryer venting.</li> </ul>	<ul style="list-style-type: none"> <li>• Install a shorter or straighter duct run. See the Installation Instructions.</li> <li>• Ductwork should be checked/deaned soon after the first use. The Dryer can be used in this condition, but dry clothes may take longer.</li> <li>• If exhaust restrictions are sensed by the FLOW SENSE™ system, the indicator will remain on for two-thirds of the cycle. Opening the door or pressing the STOP button will turn off the display.</li> </ul>

## SPECIFICATIONS

**Description:** Steam Dryer

**Electrical Requirements\*:** Please refer to the rating label regarding detailed information.

**Gas Requirements\*:**

- NG 4-10.5 inches WC
- LP: 8–13 inches WC

**Dimensions:**

- 29"(W) X 33 3/8"(D) X 40 7/8"(H), 56" (D with door open)
- 73.7 cm (W) X 84.8 cm (D) X 103.9 cm (H), 142.3 cm (D with door open)

**Net Weight:**

- Gas dryer : 160.7 lbs(72.9 kg)
- Electric dryer : 157.4 lbs(71.4 kg)

**Drying Capacity:**

- Normal Cycle: IEC 9.0 cu.ft. (27.3 lbs/12.4 kg)
- Steam Cycle: IEC 9.0 cu.ft. (8 lbs/3.6 kg)

### Warning

This content is compiled from multiple sources and is provided for reference purposes only. It may not be complete or fully applicable to all situations. If you are unable to resolve your issue, please contact the product manufacturer or an authorized service provider for official support.