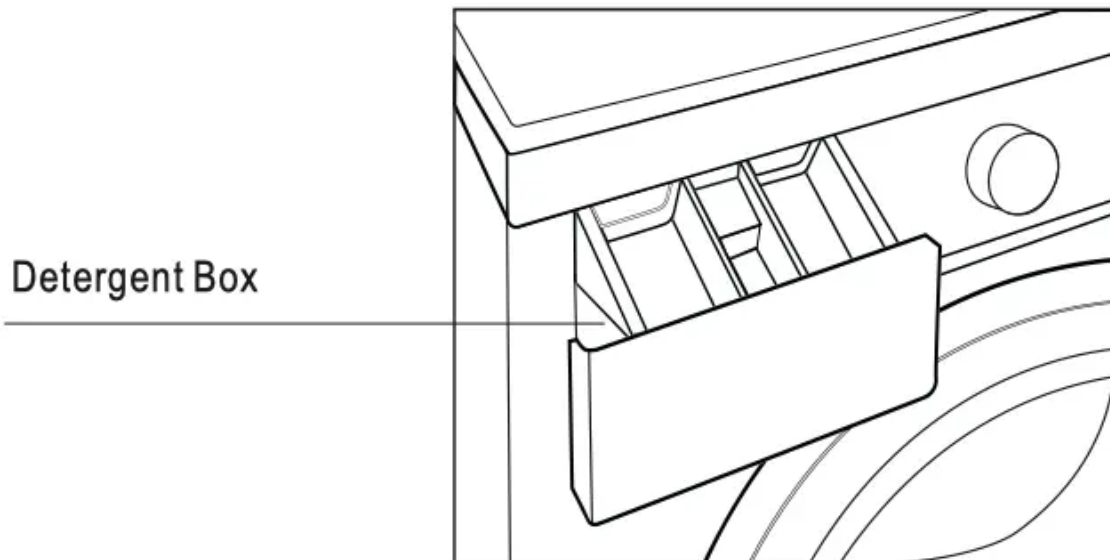
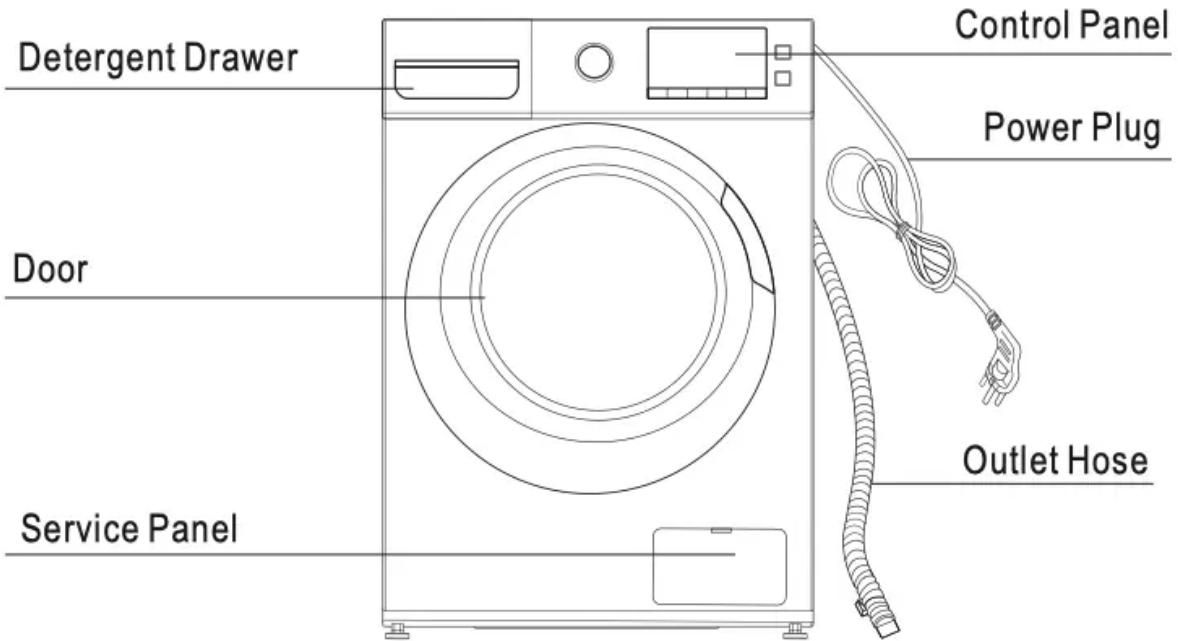
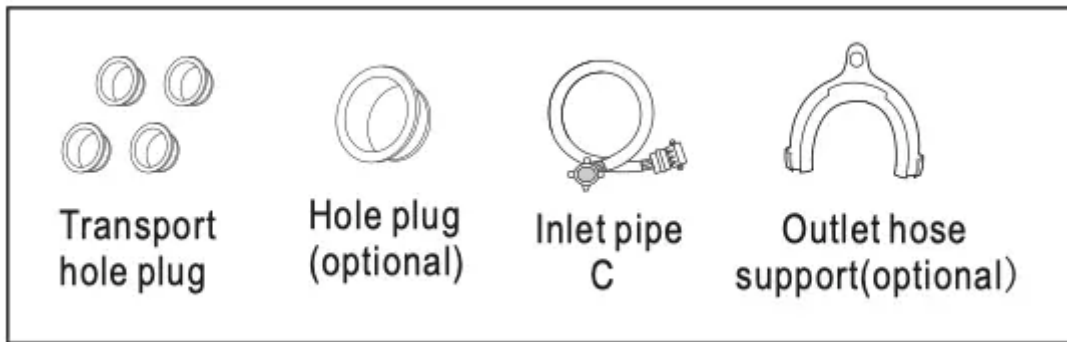


## Overview of Washing Machine

### Components



## Accessories



## Install Washing Machine

### Unpacking the washing machine

Unpack your washing machine and check if there is any damage during the transportation. Also make sure that all the items in the attached bag are received.

If there is any damage to the washing machine during the transportation, or any item is missing, please contact the local dealer immediately.

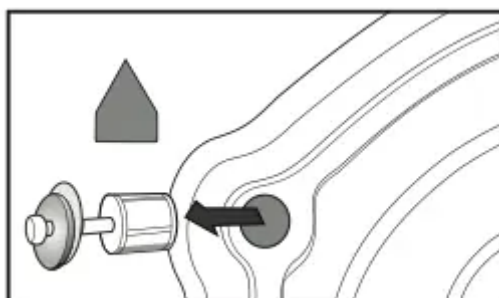
### Dispose the packing materials

The packing materials of this machine may be dangerous to kids. Please dispose them properly and avoid easy touch by kids. Please dispose the related packing materials according to the relevant local regulations. Please do not throw the packing materials away together with the other daily living rubbishes.

### Remove transport bolts

Before using this washing machine, transport bolts must be removed from the backside of this machine. Please take the following steps to remove the bolts:

1. Loosen all bolts with spanner and then remove them.
2. Stop the holes with transport hole plugs.
3. Keep the transport bolts properly for future use.



## Select the location

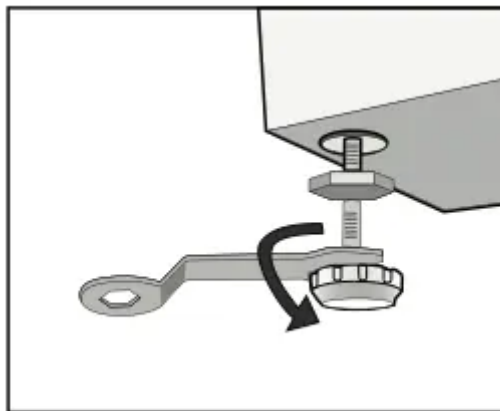
Before installing the washing machine, the location characterized as follows shall be selected:

- Rigid, dry, and level surface (if not level, please make it level with reference to the following figure "Adjust Leg")
- Avoid direct sunlight
- Sufficient ventilation
- Room temperature is above 0 C
- Keep far away from the heat resources such as coal or gas. Make sure that the washing machine will not stand on power cord. Do not install the washing machine on the carpet floor.

## Adjust Leg

1. When positioning the washing machine, please first check if the legs are closely attached to the cabinet. If not, please turn them to their original positions with hand or spanner and tighten the nuts with spanner.

2. After positioning the washing machine, press four corners on top cover of washing machine in sequence. If the washing machine is not stable when being pressed, this leg shall be adjusted.



3. Ensure the positioning status of washing machine. Loosen the lock nut with spanner and turn the leg with hand until it closely contacts with the floor. Press the leg with one hand and fasten the nut closely to the cabinet with the other hand.

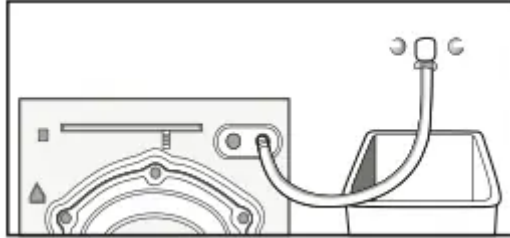
4. After being locked properly, press four corners again to make sure that they have been adjusted properly. If it is still unstable, it has to repeat Steps 2 and 3.

5. Put a solid cylinder (e.g. pop cans) oppositely on the top cover of the washing machine from in the left, right, front and back directions. If the cylinder keeps stable, the washing machine is positioned level. If it rolls, the washing machine is positioned unlevel. The rolling direction is the direction of lower ground surface. Then, the two legs in this direction shall be

raised at the same time until the washing machine is level. Steps 1~3 are repeated to make the bottom legs closely against the ground and the nuts shall be locked tightly.

### Connect inlet pipe

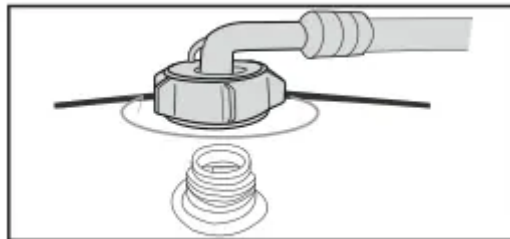
Connect the inlet pipe as indicated in the figure.



### Install inlet pipe

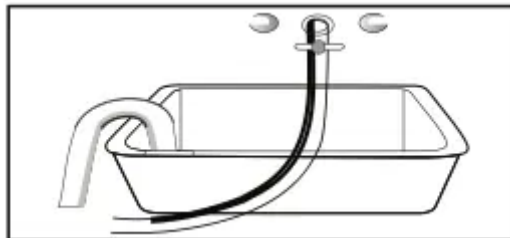
1. Connect the elbow to tap and fasten it clockwise.
2. Connect the other end of inlet pipe to the inlet valve at the backside of washing machine and fasten the pipe tightly clockwise.

**Notes:** after connection, if there is any leakage with hose, then repeat the steps to connect inlet pipe. The most common type of tap shall be used to supply water. If tap is square or too big, then standard tap shall be changed.



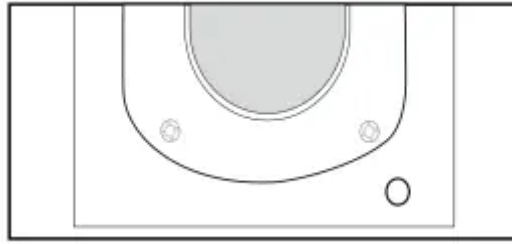
### Place outlet hose

Put it beside the water trough.

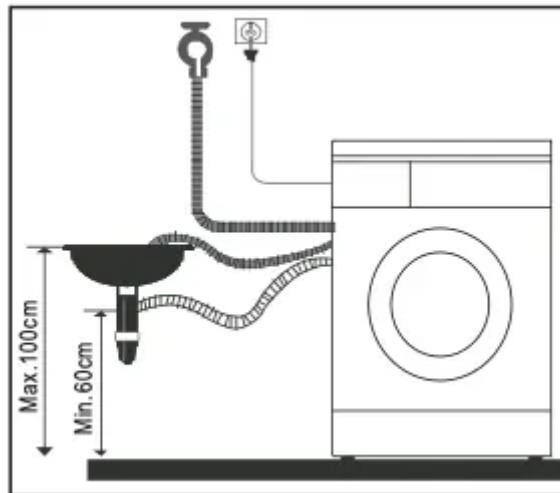


### Hole plug

This Hole plug is used to jam the hole on the back cabinet.



2. Connect it to the branch drain pipe of the trough.

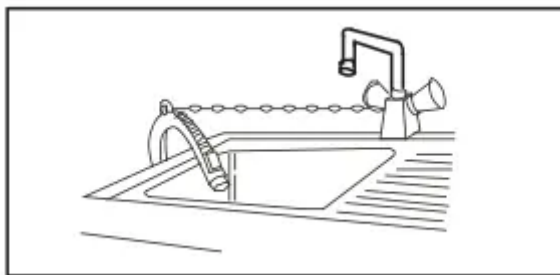


- It can drain the water up and down. outlet hose shall not be installed at a height beyond 100cm and its end shall not be immersed in water.

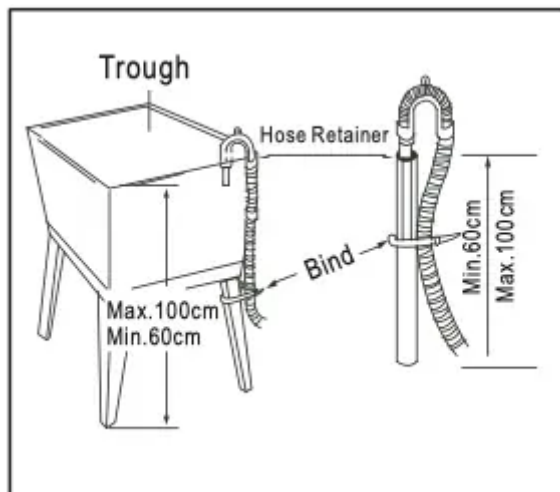
Position outlet hose properly so that the floor will not be damaged by water leakage.

**Notes:**

If the machine has outlet hose support, please install it like the following pictures.



- When installing outlet hose, fix it properly with a rope.
- Position outlet hose properly so that the floor will not be damaged by water leakage.



- If outlet hose is too long, do not force it into washing machine as it will cause abnormal noises.

## Electrical Connection

- As the maximum current through the unit is 10A when you are using its heating function, please make sure the power supply system (current, power voltage and wire) at your home can meet the normal loading requirements of the electrical appliances.
- Please connect the power to a socket which is correctly installed and properly earthed.
- Make sure the power voltage at your place is same to that in the machine's rating label.
- Power plug must match the socket and cabinet must be properly and effectively earthed.
- Do not use multi-purpose plug or socket as extension cord.
- Do not connect and pull out plug with wet hand.
- When connecting and pulling out the plug, hold the plug tightly and then pull it out. Do not pull power cord forcibly.
- If power cord is damaged or has any sign of being broken, special power cord must be selected or purchased from its manufacturer or service center for replacement.

## WARNING

1.This machine must be earthed properly. If there is any short circuit, earthing can reduce the danger of electrical shock.

This machine is equipped with power cord, which includes plug, earthing wire at earthing terminal.

2.Washing machine shall be operated in a circuit separate from other electrical appliances. Otherwise, power protector may be tripped or fuse may be burned out.

## Operate Washing Machine

### Checklist and Preparation before Washing Clothes

Please read this operation method carefully to avoid the troubles of washing machine and damages of clothes.

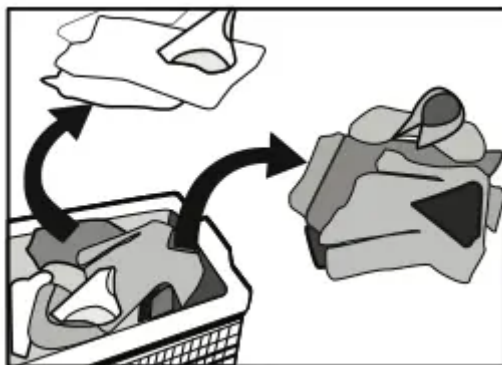
#### Check if the first-washed clothes will be decolourised

After a white towel touched with liquid detergent is used to wash the invisible corners of the clothes, check if the white towel is stained with clothes' original color.

As for the scarves and those clothes that easily get decolour ised among imported clothes, please wash them separately before washing.

As for the stains on sleeves, collars and pockets, use the liquid detergent and wash it with brush gently. Finally put them into the washing machine to achieve more ideal washing effects.

As for temperature-sensitive clothes, they shall be washed as required in the labels. Otherwise, it may cause colour change or distortion.



#### Keep in Mind:

Never put the clothes to be washed in washing machine for a long period of time. Otherwise it may get moldy and cause spots. Therefore, please wash the clothes in time. The clothes also may get colour changed or distorted if they are not washed according to the stated washing temperature.

#### Clothes that can not be washed by washing machine

The clothes that may get distorted if being immersed in water:

Ties, waistcoats, western-style clothes, outer garments etc. may have obvious shrinkage if being immersed in water; the decolourised clothes such as blended spinning clothes of artificial fiber etc.

Wrinkle-style clothes, embossed clothes, resin clothes etc. may get distorted when being immersed in water. Among cotton and wool materials, the clothes that get easily distorted are wrinkle-style silk, fur products and fur decorations; Clothes with decoration, long dress and traditional clothes etc are the products to get decolourised easily.

Please do not wash the clothes without material labels and washing requirements.

Never wash the clothes stained with the chemicals such as gasoline, petroleum, benzene, paint thinner and alcohol.

### **Please pay attention with regard to detergents**

“Low bubble” detergent or washing powder or washing powder special for drum washing machine shall be selected according to fiber types (cotton, synthetic fiber, soft products and wool products), colors, washing temperatures, dirty degrees and types. Otherwise, excessive bubbles may be generated and overflowed out of the drawer so that accidents may take place.

Bleach belongs to alkali type and can damage clothes, so it is suggested to use as little as possible.

Powder detergents can easily leave the residues in the clothes so as to generate the bad smell, so they shall be sufficiently rinsed.

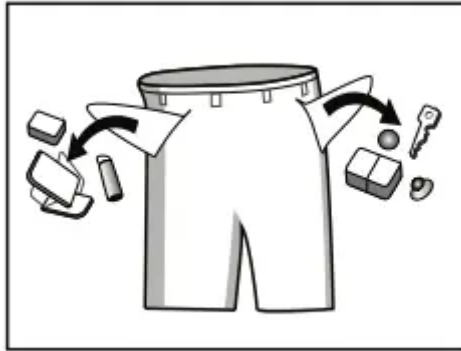
Detergent can not easily get dissolved completely if there is too much detergent or water temperature is rather low. It can remain in clothes, pipes and washing machines to pollute the clothes.

Washing shall follow the weight of clothes, dirty degrees, local water hardness as well as the recommendations from the detergent manufacturers. Please consult the water company if you are not clear of water hardness.

### **Notes:**

Keep detergents and additives in safe and dry places out of touch by kids.

**Please take out the items out of the pockets.** Please check the pockets of the clothes to be washed, empty the rigid items such as decorations and coins, otherwise washing machine may be damaged or have abnormal operation.



For the clothes to be washed, they are classified according to the following characteristics:

The symbol types of care labels: the clothes to be washed are classified into cotton, blended fiber, synthetic fiber, silk, wool and artificial fiber.

Color: white and colourful colors shall be identified. All new colour ful articles shall be washed in a separate way.

Size: the articles of different sizes are washed together to increase the washing effects. Sensitivity: soft articles shall be washed separately. As for new pure wool textiles, curtains and silks, the soft washing procedure shall be selected. Check the labels in all washing articles.

The clothes shall be sorted before being put into washing machine. As for the curtains with hooks, the hooks shall be removed before being washed.

The decorations on the clothes may damage the washing machine. As for the clothes with buttons or embroideries, they shall be turned over before being washed.

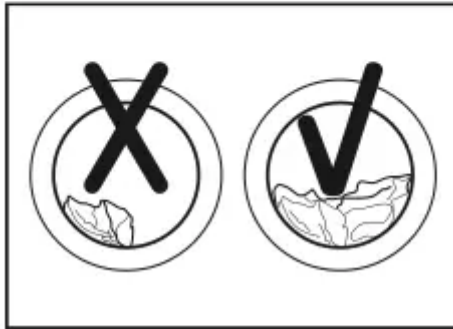
#### **Clean up fasteners:**

Zips shall be zipped close and buttons or hooks shall be fixed. The loose band or ribbon shall be bound together.



It is suggested to put bras into the pillowslip with zip or buttons sealed to prevent the steel wire from popping out of bras into the drum and damaging the machine.

Especially delicate textiles such as laced curtains, small articles (tight socks, handkerchiefs, ties etc.) shall be put into string bag for washing.



When washing a single big and heavy dress such as Turkish towels, jeans, wadded jackets etc., it may easily cause great eccentricity and give alarm due to great unbalance. Therefore it is suggested to add one or two more clothes to be washed together so that draining can be done smoothly.

**Clean away dusts, stains and pet hairs from the clothes.**

The clothes may be damaged and disturb washing effects during the friction between dusts, stains and clothes.

**To protect baby skin**

Baby articles (baby clothes and towels) including napkins shall be washed separately. If they are washed together with the adults' clothes, they may be infected. Rinsing times shall be increased to ensure the thorough rinsing and cleaning without the detergent residues.

**It is suggested that the parts that are easily stained such as white sockets, collars and sleeves etc. shall be hand washed before being put into washing machine to achieve more ideal washing effects.**

Please use powder or liquid detergents. The residues of the soap could remain in the gaps of the clothes if soap is used.

Confirm the washing capacity:

Do not put excessive washings; otherwise it may affect the washing effects. Please confirm the maximum affordable washing quantity according to the following table.

Fiber Type	Maximum Loading Capacity	
	7.5kg	10.0kg
Cotton	7.5kg	10.0kg
Synthetics	3.75kg	5.0kg
Wool	2.0kg	2.0kg
Delicate	2.5kg	2.5kg

**The clothes which easily get fuzzed shall be turned over for washing**

The clothes which easily get fuzzed shall be washed separately; otherwise the other articles can be stained with dust and thrum etc. Preferably, black clothes and cotton clothes shall be washed separately because they can easily get stained with the thrums of other colors when being washed together.

Please check before washing.

**Washing machine shall not wash water-proof materials (ski suits, outside napkin pads, curtains).**

As for the fiber products that water can not get soaked easily into such as water-proof cushions, and clothes, it is better not to wash. Otherwise there will be water bursting out or abnormal vibration to cause danger while rinsing and draining so that the clothes also may be damaged. (Such as outside napkin pads, raincoats, umbrella, ski suits, car covers, sleeping sacks etc.)

**Cautions during Draining**

Draining of normal clothes:

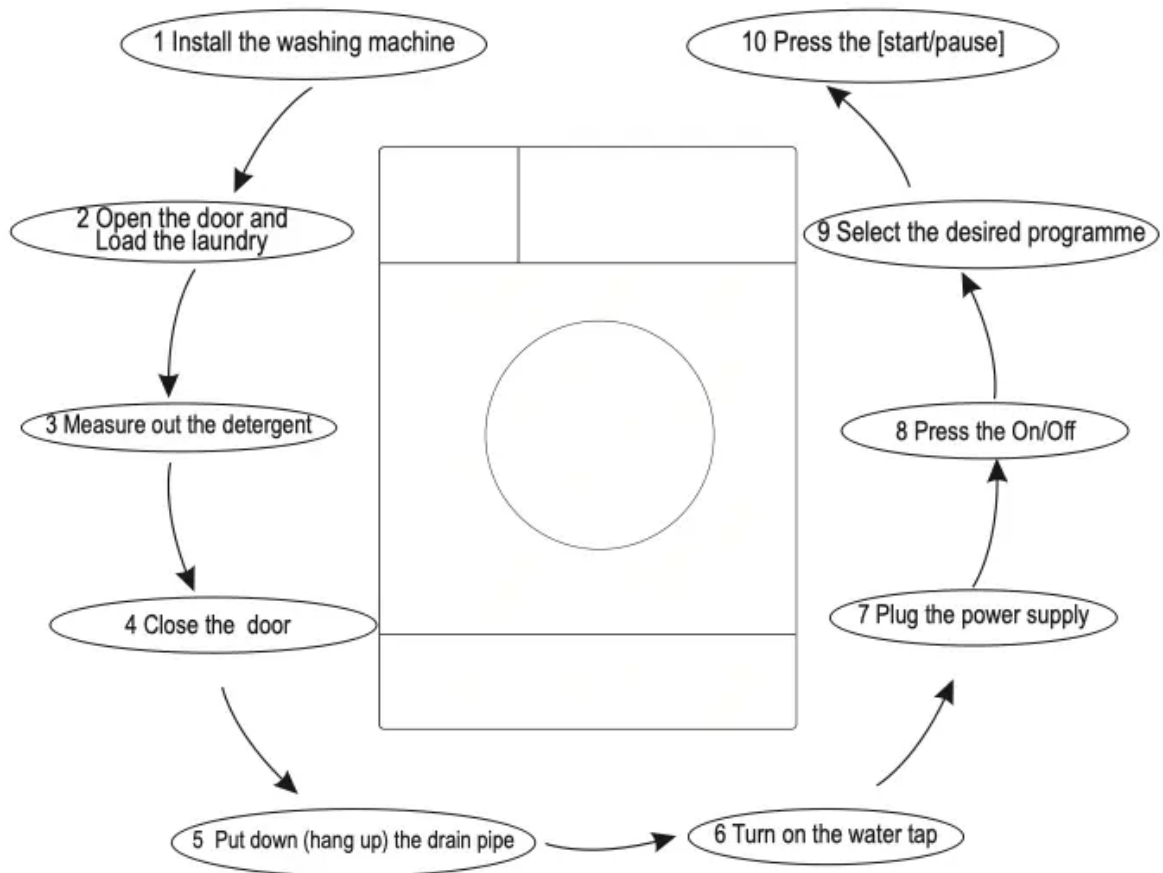
Moistures of washings are drained through drain hole.

Draining of water-proof clothes and fiber products:

In the normal washing and draining status, moistures of water-proof clothes and fiber products can not be drained while washing water is gathered in one direction so that the eccentricity of washing machine is too great and vibration or moving is caused.



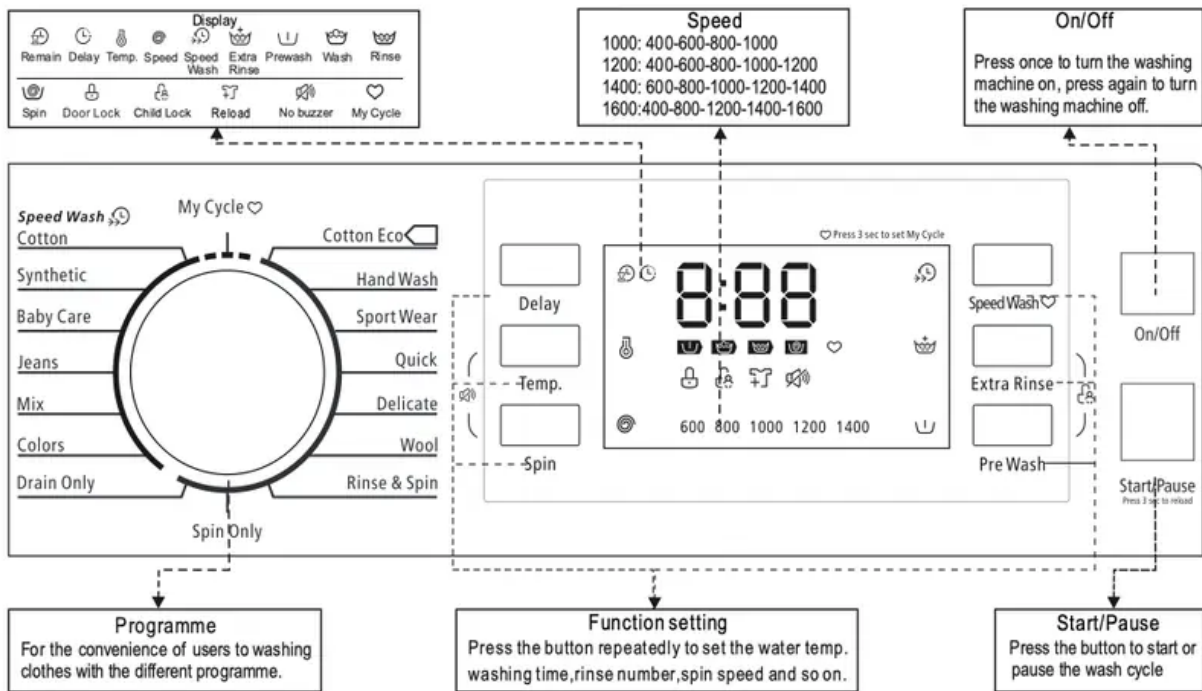
## Quick start



After washing notes:

1. After washing, the washing machine will make the sound ;
2. Close the water tap;
3. Press the power and pull out the power plug.

## View of Control Panel



## Washing Clothes at first time

Before washing clothes at first time, the washing machine shall be operated in one round of the whole procedures without clothes in as follows:

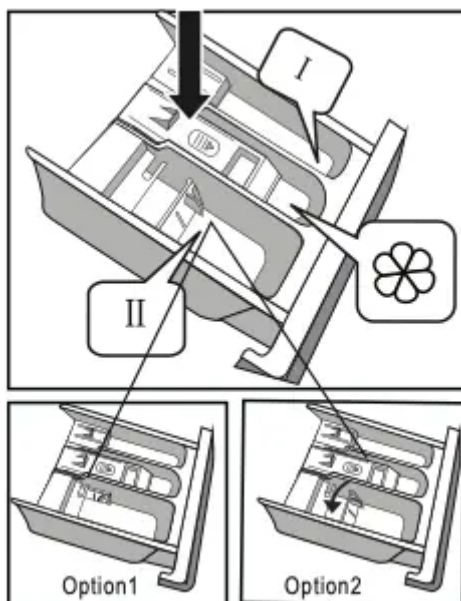
- 1.Connect power source and water.
- 2.Put a little detergent into the box and close it.
- 3.Press the button "On/Off".
- 4.Press the button "Start/Pause".

The drawer is separated as follows:


I: Pre-detergent or washing powder.

II: Main detergent

 : Washing additive, such as fabric softener.



## Put detergent into washing machine.

1. Pull out the drawer.
2. Fill pre-detergent into Case I (when necessary).
3. Fill detergent into Case II.
- option1: detergent (powder) . option2(liquid)
4. Fill softener into Case  (when necessary).

### Notes:

- As for the agglomerated or ropy detergent or additive, before they are poured into the detergent box, it is suggested to use some water for dilution to prevent the inlet of detergent box from being blocked and overflowing while filling water.
- Please choose suitable type of detergent for the various washing temperature to get the best washing effect with less water and energy consumption.

## Start up washing machine

Connect the power. Check if water pipes are connected properly. Open the tap completely. Put in the clothes to be washed and fill in the detergent. Then press the button "On/Off", Select the proper procedures and functions and press the button "Start/Pause".

## Select the procedure

The proper washing procedures shall be selected according to the types, quantities, and dirtiness of the clothes to be washed in combination with the following washing temperature table.

90 °C	Seriously dirty , pure white cotton or flax (for example: coffee table cloths, canteen table cloths, towels, bed sheets)
60 °C	Moderately dirty colourful flax, cotton and synthetic articles with certain decolourising degree (for example: shirts, night pajamas; Slightly dirty, pure white flax.
40 °C, 30 °C, 20 °C, Cold water	Normally dirty articles (for example: synthetic and wool)

First, turn the rotary switch to select the corresponding procedures according to the types of textiles.

Second, select the proper temperature according to the dirtiness. Generally, the higher the temperature is, the more the power is consumed.

Last, select the proper revolution speed. The higher the revolution speed is, the drier the textiles are spun, but higher the noises will also be increased.

The surfaces of delicate textiles will have wrinkles and the working life of washing machine will be shortened.

**PLEASE NOTE:** to protect the clothes, the lower revolution speed shall be selected for delicate textiles. The main washing procedures depend on the types of the clothes to be washed as follows:

**- Cotton**

You can select this procedure to wash the daily washable clothes. The washing period is quite long with quite strong washing intension. It is recommended to wash the daily cotton articles, for example: bed sheets, quilt covers, pillowcases, gowns, underwear etc.

**- Cotton ECO**

To increase the washing effects, main additional washing time is increased.

It is recommended to wash the clothes for babies or worn by the persons with allergic skin.

**- Synthetic**

You can select this procedure to wash the quite delicate clothes. The procedure is shorter compared with that for cottons and the washing intension is quite gentle. It is recommended to wash synthetic articles, for example: shirts, coats, blending. As for curtains and laced textiles, the procedure "Synthetic " shall be selected. While washing the knitting textiles, detergent quantity shall be reduced due to its loose string construction and easily forming bubbles.

**- Delicate**



You can select this procedure to wash your delicate clothes. Its washing intension is gentler and revolution speed is less compared with the procedure "Synthetic". It is recommended for the articles to be washed softly.

**- Wool**

You can select this procedure to wash the wool textiles labeled with "Machine Wash". Please select the proper washing temperature according to the label on the articles to be washed. Furthermore, the proper detergent shall be selected for wool textiles.

**- Baby Care**

You can select this procedure to wash your baby's clothes , it can make the baby's wear cleaner and make the rinse performance better to protect the baby skin.

**- Colours**

You can choose the program washing brightly coloured clothing, it can protect the bright colours better.

**- Quick**

This procedure is suitable for washing few and not very dirty clothes quickly.

**- Spin Only**

Separate spin only procedure. Soap water or rinse water shall be drained out before spinning.

**- Rinse&Spin**

Separate Rinse&Spin Procedure.

**- Drain Only**

Separate Drain only Procedure.

**- Mix**

You can select this procedure wash the tough clothes, that need much more time and strength. It is used for clothes used daily and made from cotton, such as sheets, pillowcases bathrobes and underwear.

**- Sport Wear**

You can select this procedure to wash the activewear.

**- Jeans**

This program is specially designed for washing jeans.

**- Hand Wash**

As for few light dirty clothes, the default temperature of washing is cold.

**- My Cycle**



Press Spin 3sec. for my cycle to memory the procedure. The default my cycle is cotton.

The main function can be selected as follows:

**- Prewash**

The Prewash function can get an extra wash before main wash.

**- Speed Wash**

The function can decrease the washing time.

**- Extra Rinse**

The laundry will undergo extra rinse once after you select it.

**- Delay**

Delay function can be set with this button, the delaying time is 0-24 H.

Set the Delay function:

1. Select a programme;
2. Press the Delay button to choose the time;
3. Press Start/Pause to commence the delay operation.

Cancel the Delay function: Press the Delay button until the display will be 0H. It should be pressed before starting the program. If the program already started, should press the On/Off button.

**Notes:** If there is any break in the power supply while the machine is operating, a special memory stores the selected programme and when the power is restarted, press the Start/Pause button the left time is continues.

**- Reload**

This operation can be executed during the washing procedure. When the drum of the washing machine is still rolling and there is large amount of water with high temperature in the drum. The state is unsafe and the door cannot be opened forcefully. To press 《Start/Pause》 for 3 sec. to reload, and start the clothes adding in the midway function . Please follow the steps as bellow:

1. Wait until the drum stops rotation.
2. The door lock is unlocked.
3. Close the door when the clothes needs are loaded and repress the 《Start/Pause》 button.

**Notes:** Don't use the Reload function when the water level over the edge of the inner tub or the temperature is higher.

**- Child Lock**

To avoid that the washing procedure cannot operate normally due to the mis operation by kids during the washing procedure, you can select this function, In this case, the other buttons except On/Off button can not work, at this state ,the machine power off when press the key on/off. The



machine remembers the program child lock and the program during powered off when press the key on/off again.

Press Rinse and Pre Wash together 2.5 seconds during the running procedure, the buzzer will beep, Start/Pause button as well as the rotary switch are locked. Press the two buttons for 2.5 seconds together and buzzer will beep to release to locking. But cut off the power supply, the kid's protection is also release to locking. The kid's protection will not be cancelled after all procedures are completed.

### - Bubble Removal Function

Bubble Check Function: Redundant bubbles will occur when there is excessive detergent, which will affect wash and rinse effects. The procedure will check automatically and one bubble removal procedure will be added automatically to remove bubbles when excessive bubbles are checked.

### Table of Washing Procedures

Procedure Description	Load(kg)	Detergent Box			Delay	Speed wash	Extra rinse	Prewash	Default Temp. (°C)	Default Time (Min)	Default Speed (RPM)
		Case I	Case II	Softener Case							
Cotton	7.5	○	●	○	○	○	○	○	40	2:40	800
Synthetic	3.75	○	●	○	○	○	○	○	40	1:40	800
Baby Care	7.5	○	●	○	○	○	○	○	30	1:20	800
Jeans	7.5	○	●	○	○	○	○	○	60	1:45	800
Mix	7.5	○	●	○	○	○	○	○	40	1:13	800
Colours	3.75	×	●	○	○	○	×	×	Cold	1:10	1200
Drain Only	—	×	×	×	○	×	×	×	—	0:01	—
Spin Only	7.5	×	×	×	○	×	×	×	—	0:12	1200
Rinse&Spin	7.5	×	×	○	○	×	○	×	—	0:20	1200
Wool	2.0	×	●	○	○	×	○	×	40	1:07	800
Delicate	2.5	×	●	○	○	×	○	×	30	0:50	800
Quick	2.0	×	●	○	○	×	×	×	Cold	0:15	800
Sport Wear	3.75	○	●	○	○	×	○	○	40	0:45	1200
Hand Wash	2.0	○	●	○	○	×	○	○	Cold	1:00	800
Cotton ECO	7.5	×	●	○	○	×	×	×	60	4:57	1400

**Energy test program: Cotton ECO. Speed: the highest speed; Other as the default.**

Half load for 7.5Kg /10.0Kg. Machine: 3.75Kg.

"Cotton Eco" are the "standard Cotton 60°C" programme and the standard washing programs to which the information in the label and the fiche relates. and they are suitable to clean normally soiled cotton laundry and that they are the most efficient programmes in terms of combined energy and water consumptions for washing that type of cotton laundry. that the actual water temperature may differ from the declared cycle temperature.

● Means must    ○ Means optional    × Means not necessary

**Notes:** The parameters in this table are only for user's reference. The actual parameters maybe different with the parameters in above mentioned table.

Before your maintenance starts, please do pull out the power plug or disconnect power and close the tap.



- Do not use solvents in or on this appliance. Solvents can damage the appliance and produce toxic or flammable gas
- Never use water to sprinkle and wash the washing machine.
- It is forbidden that the detergents containing PCMX are used to clean the washing machine.

### **Cleaning and Maintenance of Washing Machine Cabinet**

Proper maintenance on the washing machine can extend its working life. The surface can be cleaned with diluted non-abrasive neutral detergents when necessary. If there is any water overflow, use the wet cloth to wipe it off immediately. No sharp items are allowed to strike the cabinet.

**Notes:** formic acid and its diluted solvents or equivalent are forbidden.

### **Clean Internal Drum**

The rusts left inside the drum by the metal articles shall be removed immediately with chlorine-free detergents.

Never use steel wool.

### **Dispose a Frozen Washing Machine**

When the temperature drops below zero and your washing machine gets frozen, you may:

1. Disconnect the power supply for the washing machine.
2. Wash the tap with warm water to loosen inlet pipe.
3. Take down inlet pipe and immerse it in warm water.
4. Pour warm water into washing drum and wait for 10 minutes.
5. Reconnect inlet pipe to the tap and check whether inlet and outlet are working normally.

**Notes:** when the washing machine is reused, make sure the ambient temperature is above 0 C

## Anti-freeze

If your washing machine is located in the room where it can get frozen easily, please drain the remaining water inside drain pipe and inlet pipe thoroughly.

Remove the remaining water in inlet pipe:

1. Close the tap.
2. Screw off the inlet pipe from tap and put its end into the container.
3. Start up any procedure except single Wash or Drain procedure. Water will be drained out of inlet pipe if any for about 40 seconds.
4. Reconnect the inlet pipe to tap.

## Remove the remaining water in drain pump



To avoid burning, it shall be done after the hot water inside the machine cools down.

## Maintenance

### Clean detergent box and grooves

Clean detergent drawer and grooves

1. Press down the arrow location on softener cover inside the drawer.
2. Lift the clip up and take out softener cover and wash all grooves with water.
3. Restore the softener cover and push the drawer into position.

### Clean inlet filter

Inlet filter shall must be cleaned if there is not any or insufficient water in when the tap is opened.

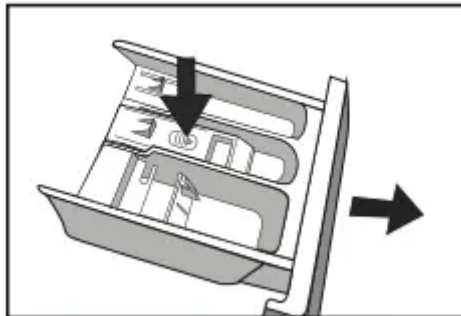
Clean the tap filter:

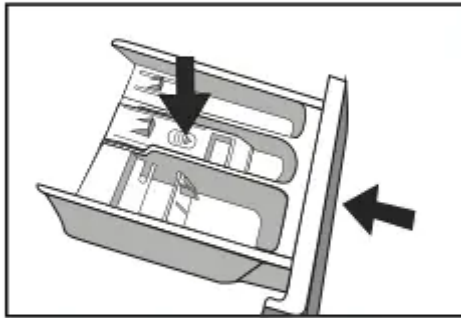
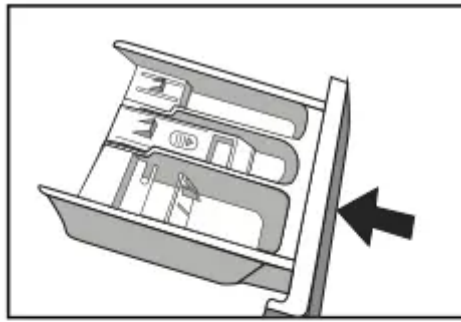
1. Close the tap.

2. Select any procedure except “Wash” or “Drain” procedure.
3. Press the button “Start/Pause” and keep the procedure running for about 40 seconds.
4. Remove the inlet pipe from the tap.
5. Use water to wash the filter.
6. Reconnect the inlet pipe.

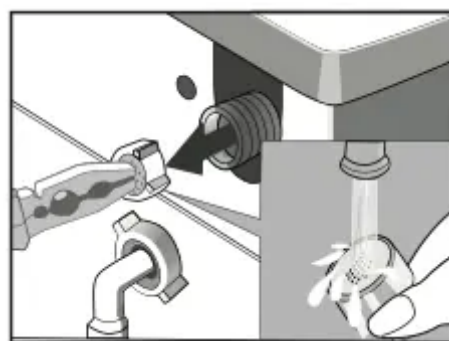
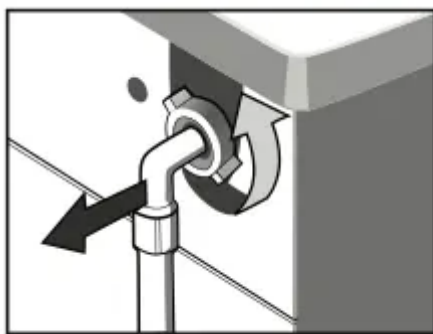
Washing the filter in washing machine:

1. Screw off the inlet pipe from the backside of the machine.
2. Pull out the filter with long nose pliers and reinstall it back after being washed.
3. Reconnect the inlet pipe.
4. Open the tap and make sure there is no water leakage.
5. Close the tap.





**Notes:** Generally, the tap filter is washed first and then the filter in washing machine will be washed. If only the filter in washing machine is washed, then the steps 1~3 in cleaning the tap filter shall be repeated.



**⚠ WARNING**

Pull out the power plug to avoid electrical shock before washing.

After using the washing machine, pull out the power cord and close the door tightly to avoid trapping or injuring children.

**Remove foreign matter**



## Drain Pump Filter:

Drain pump filter can filter the thread and small foreign matter from the washing. Clean the filter periodically to ensure the normal operation of washing machine.

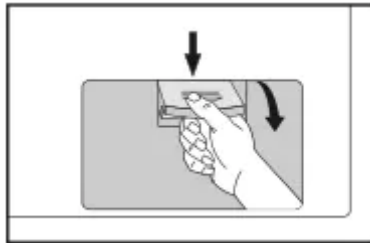


According to the soil level within the cycles and the frequency of the cycles, you have to inspect and clean the filter regularly.

The pump should be inspected if the machine does not empty and/or spin; The machine makes an unusual noise during draining due to objects such as safety pins, coins etc. blocking the pump.

To clean, follow this procedure:

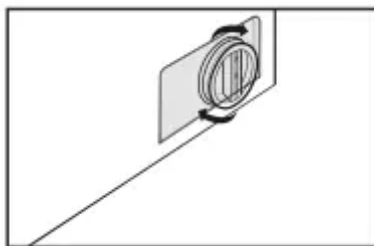
1. After the power is disconnected, use hand to open the filter cover.



2. Turn the filter down as shown with the figure and take out sundries matters.



3. Reinstall each part back after sundries matters are removed.



## Warning!

When the appliance is in use and depending on the programme selected there can be hot water in the pump. Never remove the pump cover during a wash cycle, always wait until the appliance has finished the cycle, and is empty. When replacing the cover, ensure it is securely retight end so.

# Troubleshooting



Troubles	Reason	Solution
<b>Washing machine cannot start up</b>		<p>Check if the door is closed tightly.</p> <p>Check if power plug is inserted well.</p> <p>Check if water supply tap is opened.</p> <p>Check if button “Start/Pause” is pressed.</p> <p>Check if button “On/Off” is pressed.</p>
<b>Door cannot be opened</b>	Machine's safety protection design is working.	Disconnect the power.
<b>Heating fault</b>	NTC is damaged and heating pipe is aging.	<p>Can normally wash the clothes.</p> <p>Only cannot wash with heating.</p> <p>Shall contact the service center promptly.</p>
<b>Water leakage</b>	The connection between inlet pipe or outlet hose and tap or washing machine is not tight. Drain pipe in the room is blocked	<p>Check and fasten water pipes.</p> <p>Clean up outlet hose and ask a specialized person to repair it when necessary.</p>
<b>Water is overflowed from the bottom of the machine</b>	<p>The inlet pipe is not connected firmly.</p> <p>Outlet hose has water leakage.</p>	<p>Fix the inlet pipe.</p> <p>Replace the drain hose.</p>
<b>Indicator or display does not light.</b>	<p>Power is disconnected.</p> <p>PC board has problems.</p> <p>Harness has connection problem.</p>	Check if the power is shut down and power plug is connected correctly. If not, please call up service line.

<p><b>Detergent residues in the box</b></p>	<p>Washing powder is dampened and agglomerated.</p>	<p>Clean and wipe the box.</p> <p>Use liquid detergents or the detergents special for drum.</p>
<p><b>Washing effects are not good</b></p>	<p>The clothes are too dirty. Insufficient detergent quantity.</p>	<p>Select a proper procedure.</p> <p>Add the proper detergent quantity according to the instructions in detergent package.</p>
<p><b>Abnormal noise Great vibration</b></p>		<p>Check if the fixing (bolts) has been removed. If cabinet is installed on the solid and level floor.</p> <p>Check if there are any barrettes or metal articles inside.</p> <p>Check if the legs in the washing machine are adjusted level.</p>

## Error Codes

Display LED	Description	Reason	Solution
<b>E30</b>	Door lock problem	Door is not closed properly.	Restart after the door is closed.
		Please call up service line if there are still troubles.	
<b>E10</b>	Water injecting problem while washing	Tap is not opened or water flows too slowly.	Open the tap or wait till the water supply becomes normal. Check inlet valve filter. Straighten the water pipe Check the other taps in the room.
		Inlet valve filter is blocked. Inlet pipe is twisted.	
		If water is not supplied	
Please call up service line if there are still troubles.			
<b>E21</b>	Drain problem while washing	Outlet hose is blocked or twisted	Wash and straighten outlet hose. Wash drain pump filter
		Drain pump is blocked	
Please call up service line if there are still troubles.			

Please call up the service line if there is any other problem.

## Appendix

### Care Label

The label and sign on the fabric can help you to choose the best way to launder your clothes.

<b>Normal wash</b>  <b>Gentle wash</b> 	 <b>Warm wash</b> (max 40°C )	<b>Hand wash</b>   <b>Do not wash</b>	<b>Bleach</b>   <b>Do not bleach</b>	<b>Chlorine bleach may be used</b>   <b>Chlorine bleach not be used</b>	<b>Tumble dry. Medium</b> (max 150°C )   <b>Tumble dry. Low heat</b> (max 110°C)
--	-------------------------------------	--	---	--	---

<b>Iron</b>   <b>Do not iron</b>	<b>Cool iron(max 110 °C )</b>   <b>Warm iron, medium</b> (max 150°C)	<b>Dry clean</b>   <b>Do not dry clean</b>	<b>Dry clean normal cycle with any solvent</b>   <b>Dry clean normal cycle petroleum solvent only</b>	<b>Tumble dry normal</b>   <b>Dry flat</b>	<b>Drip dry</b>   <b>Hang to dry /Line dry</b>
---	--	---	--	---	---

<b>Iron with cloth</b>   <b>Steam Iron</b>	<b>Dry after wash</b>   <b>Line Dry in shade</b>	<b>Warmly dry clean</b>   <b>Do not tumble dry</b>	 <b>Line Dry</b>	 <b>No Wring</b>	 <b>No machine wash</b>
---	---	---	---------------------	---------------------	----------------------------

**Electrical Warning**

To avoid fire,electrical shock and other accidents,please remember the following reminding:

- Only the voltage indicated in power label can be used. If you are not clear of the voltage at home, please contact the local power bureau.
- When you are using the heating function, the maximum current through the washing machine will reach 10A. Therefore, please make sure the power supply units (current, voltage and cable) can meet the normal load requirements for the machine.
- Protect the power cord properly. Power cord shall be fixed well so that it will not trip the people or other things and be damaged. Special attention shall be paid to the socket. It shall be plugged into the sockets easily and attention shall be paid to the plug location.
- Do not make the wall-mounted socket overloaded or cable extended. Overloading of the wiring may cause fire or electrical shock. Do not pull out power plug with wet hand.
- To ensure your safety, power plug shall be inserted into an earthed three-pole socket. Carefully check and ensure that your socket is properly and reliably earthed.

**Warning**

This content is compiled from multiple sources and is provided for reference purposes only. It may not be complete or fully applicable to all situations. If you are unable to resolve your issue, please contact the product manufacturer or an authorized service provider for official support.

---

Document generated by [ManualsFile](#)

