

USING THE REFRIGERATOR

Temperature Control

The temperature control adjusts the refrigerator from its warmest to coldest settings.

Your refrigerator will come with the recommended factory setting on "Colder". For colder temperature, turn the knob clockwise to setting "Coldest". For warmer temperature, turn the dial counter-clockwise to setting "Cold". To turn off the cooling in both compartments, turn the knob counter-clockwise to setting "Off". Note that this does not shut off power to the refrigerator.



Fresh Food Compartment Shelves

Shelf supports at various levels allow you to custom-space your shelves. Not all features are on all models.

Full-Width Shelves

Some models have a stationary tempered glass shelf, a spillproof shelf or two steel wire stationary shelves. These shelves can be moved to another place in the fresh food compartment.

When placed correctly on the shelf supports, the shelf will stop before coming completely out of the refrigerator and will not tilt when you place food on it or remove food from it.



To remove the full-width shelves

⚠ CAUTION

Do not clean glass shelves or covers with warm water when they are cold. Glass shelves and covers may break if exposed to sudden temperature changes or impact such as bumping or dropping. Tempered glass is designed to shatter into many small pieces if it breaks.



Freezer Compartment Shelves

When placed correctly on the shelf supports, the two steel wire stationary shelves will stop before coming completely out of the freezer and will not tilt when you place food on it or remove food from it.



Some models have glass shelves.

⚠ CAUTION

Do not clean glass shelves or covers with warm water when they are cold. Glass shelves and covers may break if exposed to sudden temperature changes or impact such as bumping or dropping. Tempered glass is designed to shatter into many small pieces if it breaks. Do not clean glass shelves or covers with warm water when they are cold. Glass shelves and covers may break if exposed to sudden temperature changes or impact such as bumping or dropping. Tempered glass is designed to shatter into many small pieces if it breaks.

Storage Drawers

Not all features are on all models.



Snack Drawer

The snack drawer can be moved to the most useful location for your family's needs.



Fruit and Vegetable Drawers

Excess water that may accumulate in the bottom of the drawers should be emptied and the drawers wiped dry.



Humidity Controlled Drawer and Cover (on some models)

Slide the control all the way to the HIGH setting to provide high humidity recommended for most vegetables.

Slide the control all the way to the LOW setting to provide lower humidity levels recommended for most fruits.



Drawer Removal

Drawers can be removed easily by grasping the sides and lifting up slightly while pulling drawers past the stop location.



Cover Removal

1. Remove the drawers.
2. Reach in, push the back of glass cover up, and at the same time, pull it backward as far as it will come.

Tilt it and take it out. Avoid cleaning the cold glass cover with hot water because the extreme temperature difference may cause it to break.

3. Remove the drawer frame. (Always remove the glass cover before you take out the drawer frame.)

Lift the frame off the supports at each side and back, pull it forward, tilt it and take it out.



To replace:

1. Lower the frame until it rests on the supports at each side and back.
2. Replace the glass cover, pushing its front edge firmly into the front frame channel and gently lowering the back into place.
3. Replace the drawers.



Automatic Icemaker (on some models)

Not all features are on all models.

⚠ WARNING

Connect to potable water supply only. A cold water supply is required for automatic icemaker operation. The water pressure must be between 40 and 120 psi (275-827 kilopascals).

⚠ CAUTION

Avoid contact with the moving parts of the ejector mechanism, or with the heating element (located on the bottom of the ice maker) that releases the cubes. Do not place fingers or hands on the automatic ice making mechanism while the refrigerator is plugged in.

A newly-installed refrigerator may take 12-24 hours to begin making ice.

The ice maker will produce approximately 70-100 cubes in a 24-hour period, depending on the freezer compartment temperature, room temperature, number of door openings and other use conditions.

If the refrigerator is operated before the water connection is made to the ice maker, set the switch OFF.

When the refrigerator has been connected to the water supply, set the switch ON position.

The ice maker will fill with water when it cools to 15°F (-9°C). A newly-installed refrigerator may take 12 to 24 hours to begin making ice cubes.

Once the ice maker starts to make ice, it may take up to 48 hours to fill the bin, depending on the temperature settings and number of door openings.

You will hear a buzzing sound each time the ice maker fills with water.



NOTICE: Throw away the first few batches of ice to allow the water line to clear.

Be sure nothing interferes with the sweep of the feeler arm.

When the bin fills to the level of the feeler arm, the ice maker will stop producing ice.

It is normal for several cubes to be joined together.

If ice is not used frequently, old ice cubes will become cloudy, taste stale, shrink or fuse together.

Ice maker accessory kit:

If your refrigerator did not already come equipped with an automatic ice maker, an ice maker accessory kit is available at extra cost.

This refrigerator will accept accessory icemaker kit IM-4D or IM-6D. Use instructions V supplied in the kit for assembly.

AutoFill Pitcher (on some models)

Not all features are on all models.

⚠ WARNING

To reduce the risk associated with choking, do not allow children less than 3 years of age to have access to small parts during the installation of this product.

The AutoFill pitcher is designed for hands-free, refilling of the pitcher for a constant supply of fresh water. The refrigerator shelf must be at the second position to use the AutoFill pitcher.

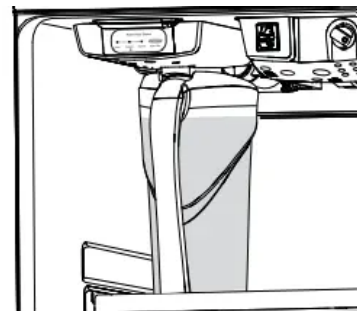
1. Place the lid onto the pitcher so it fits securely. Align the notch in the pitcher lid to the dispenser guide in the top of the refrigerator and slide the pitcher toward the back of the refrigerator until it stops.



2. Water will fill the pitcher until it reaches a specified level and will then shut off.

NOTE: If you remove the pitcher before the water stops, water may drip on the shelf.

When you replace the pitcher back under the dispenser, it will refill the pitcher back to the specified level.



The Water Filter is located on the underside of the dispenser housing. The filter should be replaced every six months or if the flow of water decreases. You must have a water filter or the bypass plug in place when using the AutoFill Pitcher.

To remove the water filter or bypass plug, swing the water filter or bypass plug down until it stops (45°) and gently pull it toward you to unseat it from the water filter or bypass plug holder. **DO NOT TWIST THE FILTER.**



To replace the water filter or bypass plug, align it into the water filter or bypass plug holder. The keys on the sides of the water filter or bypass plug will seat into key slots on the inside of the water filter or bypass plug holder. Push the water filter or bypass plug straight into the opening and continue to push as you swing the water filter or bypass plug upward until it snaps into place. If the water filter or bypass plug will not swing easily, check to ensure it is properly aligned and fully seated into the holder. A newly installed water filter or bypass plug may cause water to drip from the dispenser.

After replacing the water filter, run 2 gallons of water (approximately 3 full pitchers) through the autofill dispenser (about 5 minutes) to remove air from the system.

NOTE: It is normal for water to appear discolored during the initial system flush. Water color will return to normal after the first minutes of dispensing.



Reset the filter status on the housing, after installing new filter, by holding the Filter Change button for 3 seconds. The filter indicator light above “Good” will turn green for Water Filter Status.

For maximum benefit, GE Appliances recommends the use of GE Appliances-branded filters only. If you have questions or to order additional water filter cartridges, visit our website at [gewaterfilters website](#) or call GE Appliances Parts and Accessories at 877.959.8688



CARE AND CLEANING

Cleaning the Outside

Directions for Cleaning Outside Surfaces, Door Handles, and Trim

DO USE	DO NOT USE
Soft, clean cloth or sponge	Abrasive cloths, scrubbing sponges, scouring or steel wool pads
<p>Mild detergent mixed with warm water Approved stainless steel cleaners; Visit the GE Appliances parts store for approved stainless steel cleaners: geapplianceparts website or call 877.959.8688</p> <p>Cleaners with oxalic acid such as Bar Keepers Friend Soft Cleanser™ can be used to remove surface rust, tarnish and small blemishes on stainless steel surfaces only.</p>	<p>Abrasive powders or sprays Window Sprays or Ammonia Citrus or plant oil-based cleaners Acidic or vinegar-based cleaners Oven cleaners</p> <p>Cleaners containing acetone (propanone)</p> <p>Any cleaner with WARNING about plastic contact</p>

NOTE: DO NOT allow stainless steel cleaner to come in contact with any plastic parts such as trim pieces, handle hardware and liners. If unintentional contact of cleaners with plastic parts does occur, clean plastic part with a sponge and mild detergent mixed with warm water.

Cleaning the Inside

To help prevent odors, leave an open box of baking soda in the fresh food and freezer compartments.

Unplug the refrigerator before cleaning. If this is not practical, wring excess moisture out of sponge or cloth when cleaning around switches, lights or controls.

Use warm water and baking soda solution—about a tablespoon (15 ml) of baking soda to a quart (1 liter) of water. This both cleans and neutralizes odors. Rinse and wipe dry. After cleaning the door gaskets, apply a thin layer of petroleum jelly to the door gaskets at the hinge side. This helps keep the gaskets from sticking and bending out of shape.

⚠ CAUTION

Do not clean glass shelves or covers with warm water when they are cold.

Glass shelves and covers may break if exposed to sudden temperature changes or impact such as bumping or dropping. Tempered glass is designed to shatter into many small pieces if it breaks. Do not wash any plastic refrigerator parts in the dishwasher.

To Clean the AutoFill Pitcher

The AutoFill pitcher and lid are dishwasher safe. The lid should be placed in the top rack only and the pitcher in the bottom rack of the dishwasher. Run on normal wash.

To maximize performance of your AutoFill pitcher, it is recommended that you rinse it thoroughly after washing to remove all soap residue. If your AutoFill pitcher has been in contact with food that is likely to cause discoloration (e.g. tomato ketchup, mustard), clean your pitcher promptly. This is to avoid possible discoloration of your pitcher.

Moving the Refrigerator

Be careful when moving the refrigerator away from the wall. All types of floor coverings can be damaged, particularly cushioned coverings and those with embossed surfaces. Turn the leveling legs at each front corner of the refrigerator counterclockwise until the rollers support the refrigerator. Pull the refrigerator straight out and return it to position by pushing it straight in. Moving the refrigerator in a side direction may result in damage to the floor covering or refrigerator.

When pushing the refrigerator back, make sure you don't roll over the power cord or ice maker supply line (on some models).

After rolling the refrigerator back into place, turn the legs clockwise until the legs again bear the weight of the refrigerator.

Light Bulb Replacement

⚠ WARNING

Before replacing a burned-out light bulb, the refrigerator should be unplugged in order to avoid contact with a live wire filament. (A burned-out light bulb may break when being replaced.)

Turning the control to the OFF position does not remove power to the light circuit.

Preparing for Vacation

For long vacations or absences, remove food and unplug the refrigerator. Move the temperature control dial to the OFF position, and clean the interior with a baking soda solution of one tablespoon (15 ml) of baking soda to one quart (1 liter) of water. Leave the doors open.

Move the switch to the OFF position on the power switch model, and shut off the water supply to the refrigerator.

If the temperature can drop below freezing, have a qualified servicer drain the water supply system (on some models) to prevent serious property damage due to flooding.

Preparing to Move

Secure all loose items such as grille, shelves and drawers by taping them securely in place to prevent damage. To prevent the doors from opening while moving, secure them to the case with tape. Be sure the refrigerator stays in an upright position during moving.

TROUBLESHOOTING TIPS

Save time and money! Review the charts on the following pages first and you may not need to call for service. If needed, service can be scheduled by visiting us online **GEAppliances website** or calling 800.GECARES 800.432.2737. In Canada visit **GEAppliances ca website** or call 800.561.3344.

Truth or Myth

Truth or Myth?	Answer	Explanation
The automatic ice maker in my refrigerator will produce ice when the refrigerator is plugged in to a power receptacle.	MYTH	<p>The refrigerator must be connected to water, and the ice maker must be turned on.</p> <p>Make sure the ice maker is turned on, only after the water line is connected and water is turned on. The ice maker can be turned off by switching it to the OFF position.</p> <p>The freezer must be 15 degrees or colder before the icemaker will produce ice. Please allow at least 24 hours for the refrigerator to pull down and the unit's temperature to stabilize.</p>
I will never see frost inside the freezer compartment.	MYTH	<p>Frost inside the freezer typically indicates that the door is not properly sealed, or has been left open. If frost is found, clear the frost using a plastic spatula and towel, then check to ensure that no food packages or containers are preventing the freezer door from closing. To help reduce to the potential for frost please make sure there is proper clearance to the air supply and vents in the freezer to improve circulation. Always cover food before loading into the refrigerator, moisture from open containers can add to the frost load.</p>
Refrigerator door handles can be easily tightened.	TRUE	<p>If door handles are loose or have a gap, the handle can be adjusted with set screws located on the ends of the handles.</p>
After starting the ice maker throw away 24 hours of ice production.	TRUE	<p>To avoid issues with odor and taste the first batch of ice should be discarded</p>
Door removal is always required for installation.	MYTH	<p>Doors should only be removed when necessary to prevent damage from passage way or access to final location. If doors are removed please review Reversing the Door Swing section for re-hang procedure.</p>
	MYTH	<p>Front leveling legs are adjustable and should be used to balance the refrigerator. Leveling legs are used to make</p>



<p>There is an adjustment to rear wheels.</p>		<p>initial fresh food door adjustment. There should be approximately a 1/4 fall from the front to back to ensure that the doors always close.</p>
<p>Any All-Purpose cleaner can be used to clean my refrigerator.</p>	<p>MYTH</p>	<p>All-purpose cleaners are not recommended for use on the refrigerator.</p> <p>Do not use wax, polish, ammonia, bleach, or other products containing chlorine on for any surfaces. Clean with a cloth dampened with soapy water. Dry with a soft cloth. The stainless steel doors can be cleaned with a commercially available stainless steel cleaner. Cleaners with oxalic acid such as Bar Keepers Friend Soft Cleanser™ will remove surface rust, tarnish and small blemishes. Use only a liquid cleanser free of grit and rub in the direction of the brush lines with a damp soft sponge. Do not use appliance wax or polish on the stainless steel.</p>
<p>Gaskets will last longer with regular cleaning and maintenance.</p>	<p>TRUE</p>	<p>Clean gaskets with warm soapy water. Make sure all folds are clean and dry after cleaning. Make sure flanges are clear of any grit or grime. After cleaning the door gaskets, apply paraffin wax or petroleum jelly to the door gaskets and hinges at the hinge side. This helps keep the gaskets from sticking and bending out of shape.</p>
<p>Doors may be shipped with protective film that has to be removed before use.</p>	<p>TRUE</p>	<p>Smooth finished doors (Stainless, Slate, Gloss Black and Gloss White, or Silver Metallic) will have a clear plastic film on the door that must be removed after install.</p>
<p>AutoFill Pitcher Reference Guide</p>		
<p>My AutoFill pitcher will automatically fill with water when connected to power.</p>	<p>MYTH</p>	<p>The refrigerator must be connected to water, and the water must be turned on.</p> <p>The water filter cartridge must be seated correctly. Follow the filter instructions to re-install the filter. Ensure the filter is completely seated in cartridge holder prior to rotating into housing. The teeth on the filter should be seated in the grooves in the holder.</p>



		<p>The filter may be frozen. Follow the filter installation instructions to install a new filter or the filter bypass plug. If water begins to dispense, increase the fresh food temperature to prevent future filter freezing.</p> <p>If pitcher is not detected, remove the pitcher and reseal it into the dispenser. Make sure it is resealed properly.</p>
My AutoFill pitcher will stop filling automatically.	TRUE	<p>The float inside of the pitcher will automatically stop the water flow when the pitcher is full. If it does not, make sure the float is free floating. If the float is stuck, hold the lid upside down to see if the float moves in the track. If ice has formed, run the lid under warm water to melt the ice and increase the fresh food temperature.</p>
The AutoFill pitcher is for water only.	TRUE	<p>The pitcher is meant for use with cold tap water only.</p>
<p>Have more questions? For more information on your refrigerator or other GE appliances please visit <i>geappliances website</i></p>		

Warning

This content is compiled from multiple sources and is provided for reference purposes only. It may not be complete or fully applicable to all situations. If you are unable to resolve your issue, please contact the product manufacturer or an authorized service provider for official support.

