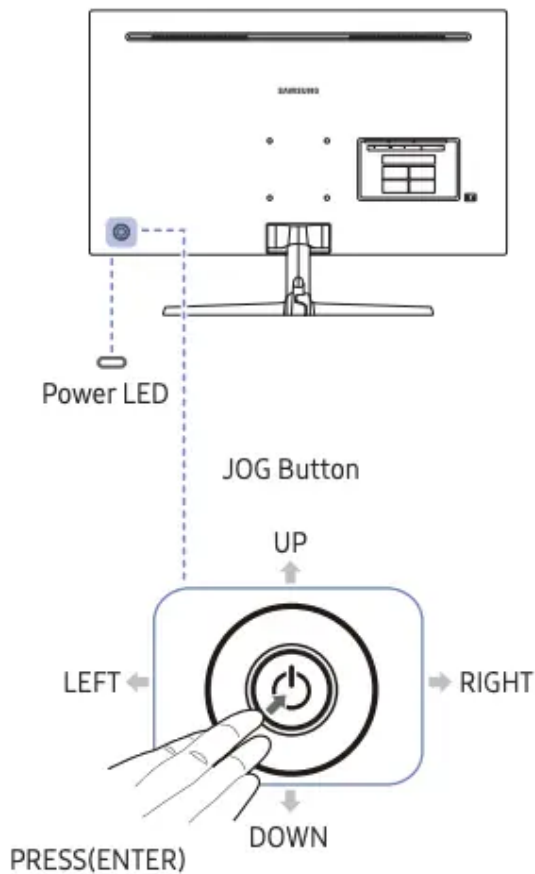


## Preparations

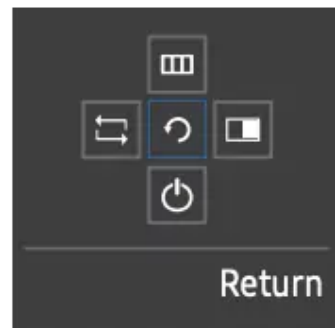
### Parts

#### Control Panel

— The color and shape of parts may differ from what is shown. Specifications are subject to change without notice to improve quality.



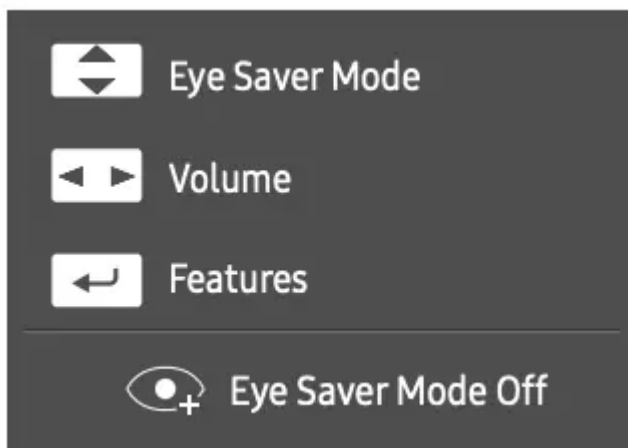
Function Key Guide



Icons	Description
<b>JOG Button</b>	<p>Multi directional button that helps navigate.</p> <p>— The JOG button is located on the rear left side of the product. The button can be used to move up, down, left or right, or as Enter.</p>
<b>Power LED</b>	<p>This LED is power status indicator and works as</p> <ul style="list-style-type: none"> <li>• Power On (Power button): Off</li> <li>• Power saving mode: Blinking</li> <li>• Power Off (Power button): On</li> </ul> <p>— The power Indicator operation can be swapped by changing in the menu. (System → Power LED On) Actual models because of functional variation maybe haven't this function.</p>
<b>Function Key Guide</b>	<p>Press the JOG button when the screen is turned on. The Function Key Guide will appear. To access the onscreen menu when the guide is displayed, press the corresponding direction button again.</p> <p>— Function Key Guide may vary depending on the function or product model. Please refer to the actual product.</p>

### Direct Key guide

— The shortcut button screen (OSD menu) shown below is displayed only when the monitor screen is turned on, the computer resolution changes, or the input source changes.



- UP/DOWN: Adjust Brightness, Contrast, Eye Saver Mode.

- LEFT/RIGHT: Adjust Volume.
- PRESS(ENTER): Display Function Key Guide.





### Function Key Guide

— To enter the main menu or to use other items, press the JOG button to display the Function Key Guide. You can exit by pressing the JOG button again.



UP/DOWN/LEFT/RIGHT: Move to the item you want. The description for each item will appear when the focus changes.

PRESS(ENTER): The selected item will be applied.

Icons	Description
	<p>Selects  to change the input signal by moving the JOG button in the Function Key Guide screen. A message will appear on the top left corner of the screen if the input signal has been changed.</p>
	<p>Selects  by moving the JOG button in the function key guide screen.</p> <p>The OSD (On Screen Display) of your Monitor's feature appears.</p> <p>OSD control lock: Maintain the current settings, or lock the OSD control to prevent unintended changes to settings.</p> <p>Enable/Disable: To lock/unlock the OSD control, press the LEFT button for 10 seconds when the main menu displayed.</p> <p>— If the OSD control is locked, Brightness and Contrast can be adjusted. PIP/PBP is available. Eye Saver Mode is available. Information can be viewed.</p>
	<p>Selects  by moving the JOG button in the function key guide screen.</p> <p>Press the button when configuring settings for the PIP/PBP function is required.</p>
	<p>Selects  to turn the Monitor off by moving the JOG button in the function key guide screen.</p>

— Actual models because of functional variation, Function key guide options will be different.

When the monitor displays nothing (i.e. Power saving mode or Non-signal mode), 2 direct keys for control source and power could be used as below.



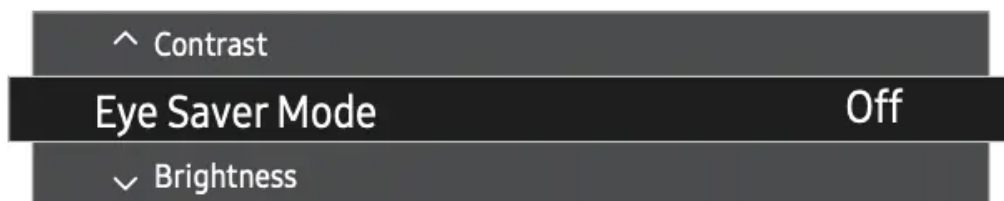
JOG Button	Power saving/Non-signal mode
UP	Source Change
Down	
PRESS(ENTER) for 2 seconds	Power Off

When the monitor displays the Main menu the JOG Button could be used as below.

JOG Button	Action
UP/DOWN	Move the option
LEFT	Exit the Main menu. Close Sublist without saving value. Value decreases in the slider.
RIGHT	Move to next depth. Value increases in the slider.
PRESS(ENTER)	Move to next depth. Save the value and close Sublist

### Configuring Eye Saver Mode, Brightness and Contrast from the Initial Screen

Adjust the Brightness, Contrast and Eye Saver Mode by moving the JOG button



- The displayed image may differ depending on the model.
- The default brightness can vary depending on the region.


### Eye Saver Mode

- Not available when PIP/PBP Mode is set to On.

## Brightness

- This menu is not available when SAMSUNG MAGICBright is set to Dynamic Contrast mode.
- This menu is not available when Eco Saving Plus is enabled.
- This menu is not available when Eye Saver Mode is enabled.

## Contrast

- This menu is not available when SAMSUNG MAGICBright is in Cinema or Dynamic Contrast mode.
- This menu is not available when Game Mode is enabled.
- This menu is not available when PIP/PBP Mode is set to On and the Size is set to  (PBP Mode).

## Changing the Volume setting

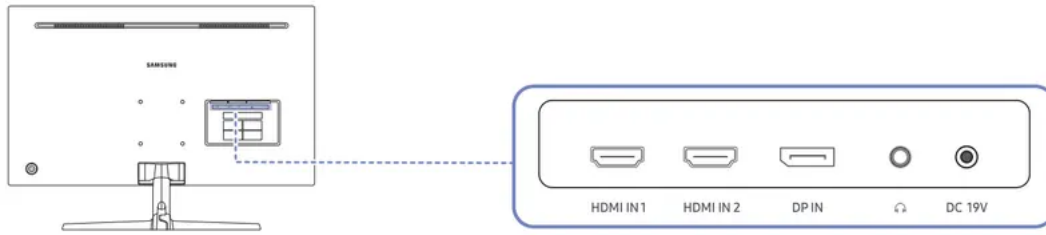
You can adjust Volume by moving the JOG button left or right, if no OSD menu is displayed.



- The displayed image may differ depending on the model.
- If the audio quality of a connected input device is poor, the Auto Mute function on the product may mute the sound or cause choppy audio when applying the headphones or speakers. Set the input volume for the input device to at least 20% and control the volume using the volume control (JOG button LEFT/RIGHT) on the product.
  - What is Auto Mute? The function mutes the audio to improve sound effect when there is sound noise or when the input signal is weak, usually due to a problem with the volume of an input device.
- To activate the Mute function, access the Volume control screen, then use the JOG button to move the focus down. To deactivate the Mute function, access the Volume control screen, then increase or decrease the Volume.

## Types of Ports

- The functions available may vary depending on the product model. The color and shape of parts may differ from what is shown. Specifications are subject to change without notice to improve quality. Refer to the actual product.

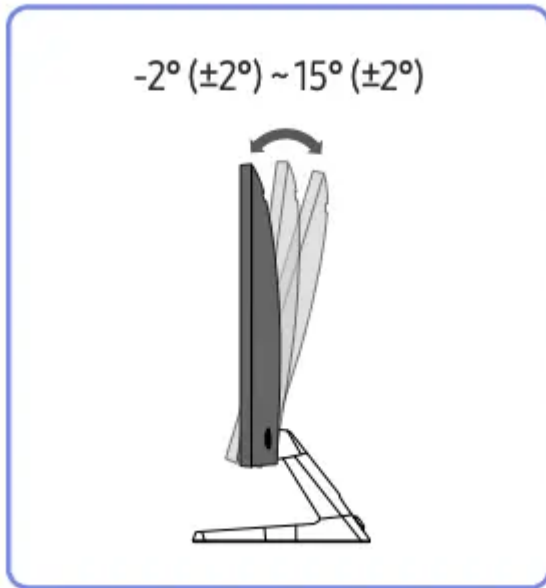


Port	Description
	Connects to a source device using an HDMI cable or HDMI-DVI cable. — HDMI1 support 3840 x 2160 @ 30 Hz — HDMI2 support 3840 x 2160 @ 60 Hz
	Connects to a PC using a DP cable.
	Connect to an audio output device such as headphones. — The sound could only be heard when using the HDMI to HDMI cable or DP cable.
	Connects to the AC/DC adapter

### Adjusting the Product Tilt

— The color and shape of parts may differ from what is shown. Specifications are subject to change without notice to improve quality



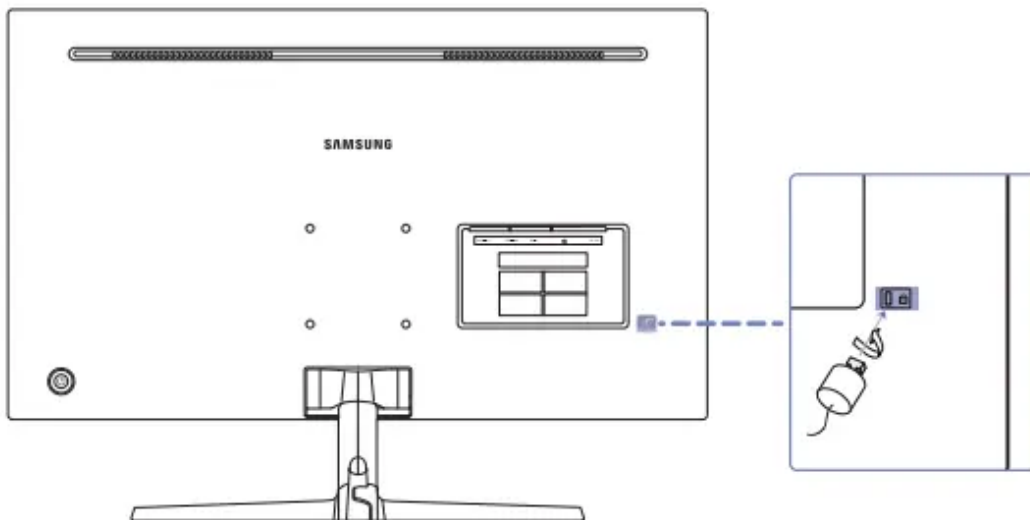


- The monitor tilt can be adjusted.
- Hold the lower part of the product and adjust the tilt carefully.

### Anti-theft Lock

- An anti-theft lock allows you to use the product securely even in public places.
- The locking device shape and locking method depend on the manufacturer. Refer to the user guide provided with your anti-theft locking device for details.

#### To lock an anti-theft locking device:



- 1 Fix the cable of your anti-theft locking device to a heavy object such as a desk.
- 2 Put one end of the cable through the loop on the other end.
- 3 Insert the locking device into the anti-theft lock slot at the back of the product.

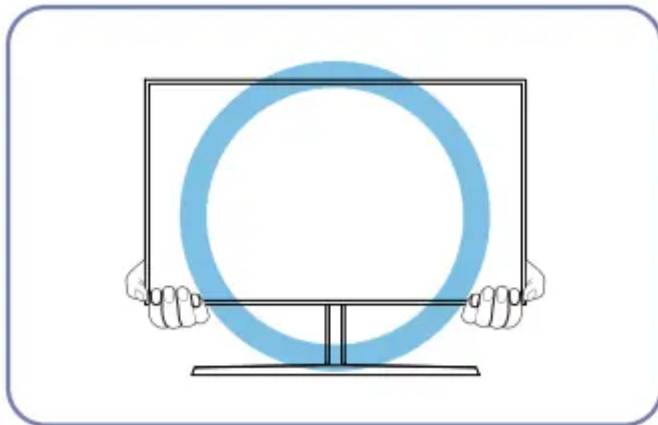
4 Lock the locking device.

- An anti-theft locking device can be purchased separately.
- Refer to the user guide provided with your anti-theft locking device for details.
- Anti-theft locking devices can be purchased at electronics retailers or online.

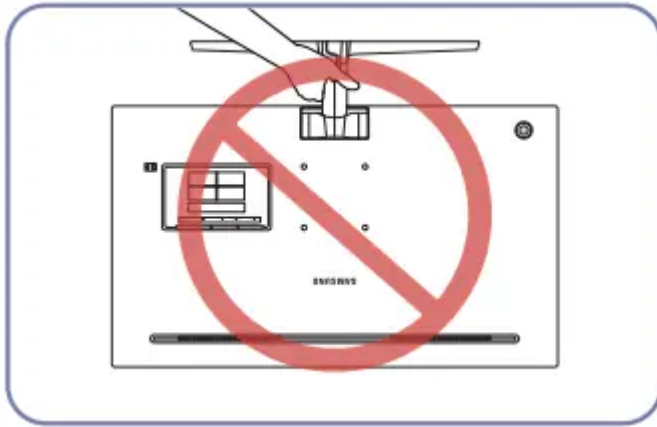
### Precautions for moving the monitor



- Do not directly apply pressure on the screen.
- Do not hold the screen when moving the monitor.



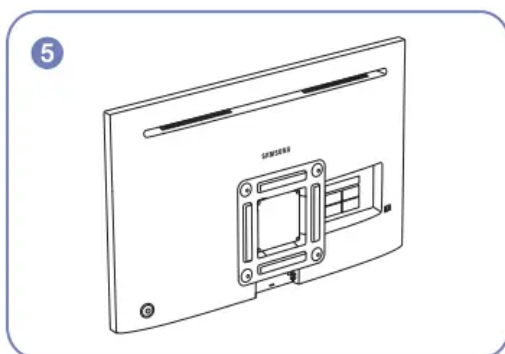
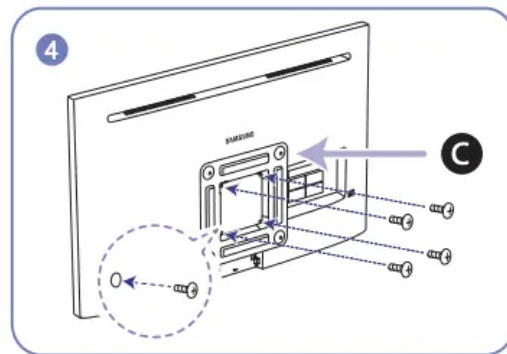
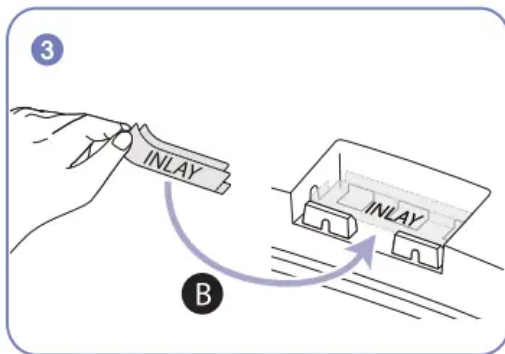
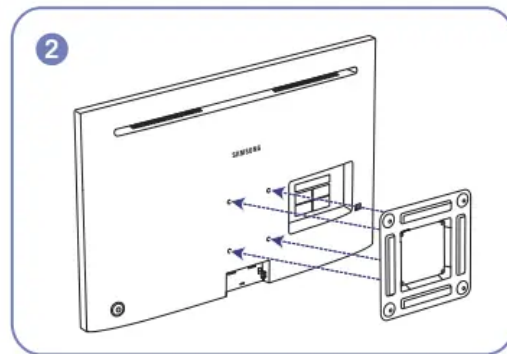
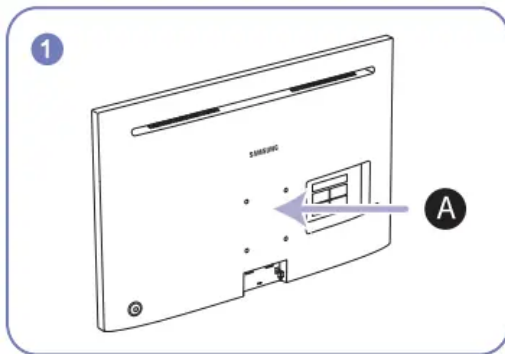
- Hold the lower corners or edges of the monitor when moving it.



- Do not hold the product upside down only by the stand.

### Installing a Wall-mount Kit or Desktop Stand

— Power the product off and remove the power cable from the power socket.



**A** Attach the wall-mount kit or desktop stand here.

**B** Attach the INLAY to the position as shown in the figure.

**C** Bracket (sold separately)

Align the grooves and tightly fasten the screws on the bracket on the product with the corresponding parts on the wall-mount kit or desktop stand you want to attach.

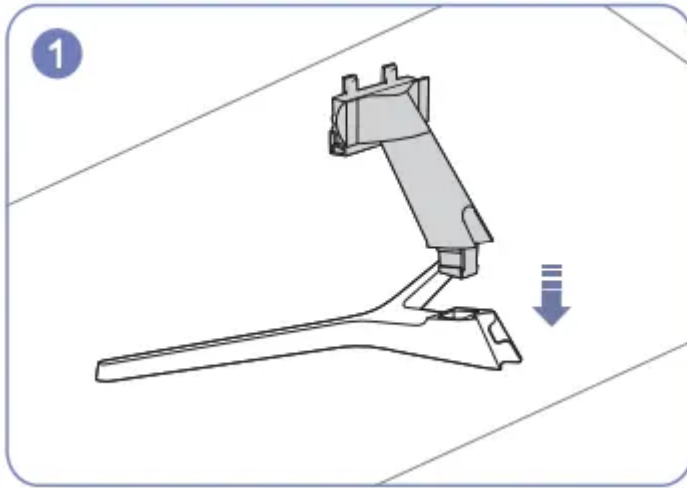
## Notes

- Using a screw longer than the standard length can damage the internal components of the product.
- The length of screws required for a wall mount that does not comply with the VESA standards may vary depending on the specifications.
- Do not use screws that do not comply with the VESA standards. Do not attach the wall-mount kit or desktop stand using excessive force. The product may get damaged or fall and cause personal injury. Samsung shall not be held liable for any damage or injury caused by using improper screws or attaching the wall-mount kit or desktop stand using excessive force.
- Samsung shall not be held liable for any product damage or personal injury caused by using a wall-mount kit other than the one specified or from an attempt to install the wall-mount kit on your own.
- To mount the product on a wall, ensure you purchase a wall-mount kit that can be installed 10 cm or farther away from the wall.
- Be sure to use a wall-mount kit that complies with the standards.
- To install the monitor using a wall mount, disconnect the stand base from the monitor.

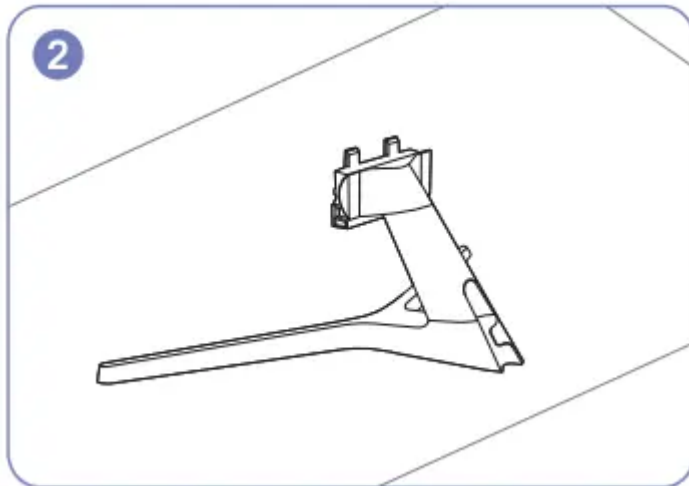
## Installation

### Attaching the Stand

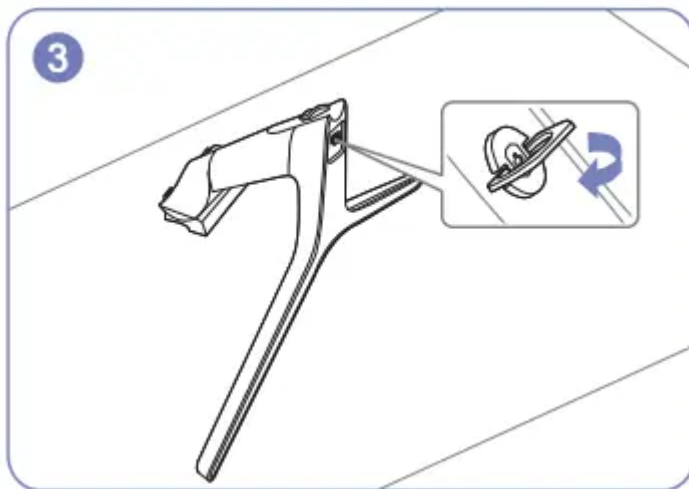
- Before assembling the product, place the product down on a flat and stable surface so that the screen is facing downwards.
- The exterior may differ depending on the product



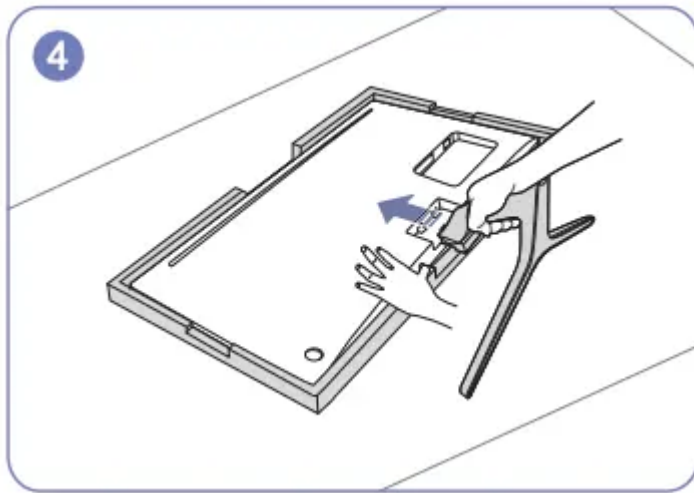
Insert the stand neck into the stand base in the direction shown in the figure.



Check that the stand neck is firmly connected.



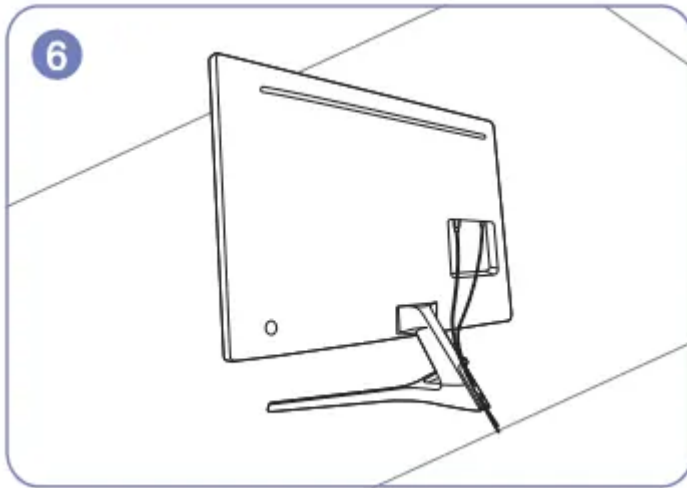
Tightly fasten the connecting screw at the bottom of the stand base.



Place the protective Styrofoam (cushion) included in the package on the floor and place the product facing down on the Styrofoam, as shown in the image. If Styrofoam is unavailable, use a thick sitting mat.



Hold the main body of the product with your hand as shown by the figure. Push the assembled stand into the main body in the direction of the arrow as shown in the figure.



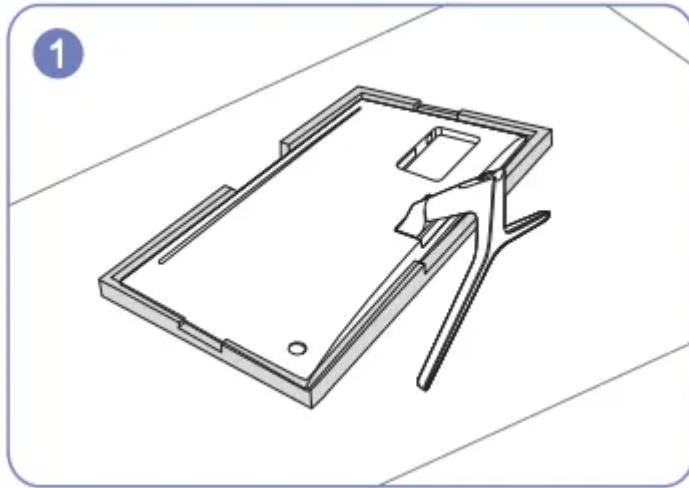
Connect the power supply and the data cable as shown in the figure.



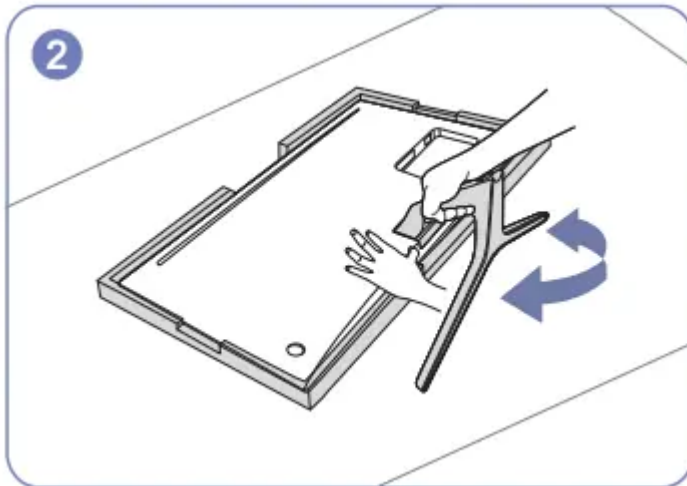
- **Caution** Do not press down on the monitor. There is a risk of damaging the monitor.

### Removing the Stand

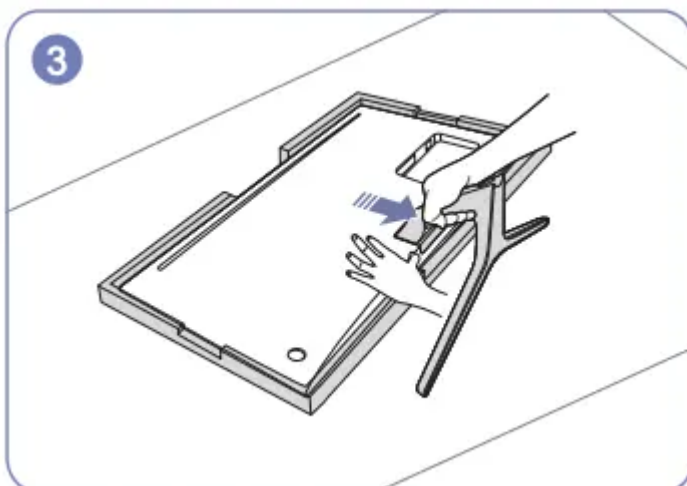
- Before removing the stand from the monitor, place the monitor on a flat and stable surface with the screen facing down.
- The exterior may differ depending on the product.



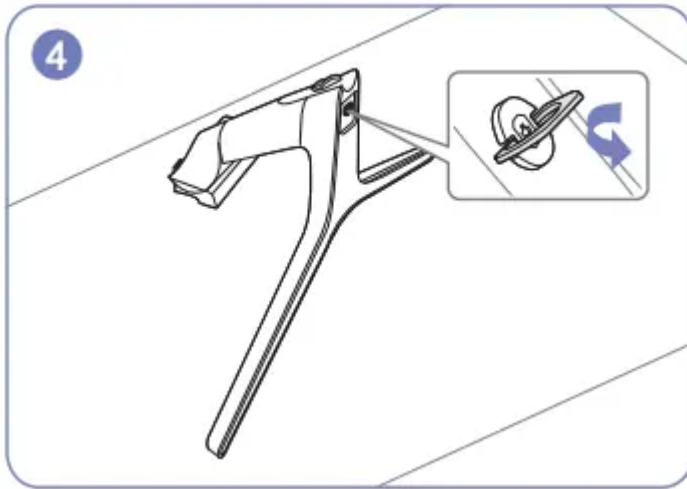
Place the protective Styrofoam (cushion) included in the package on the floor and place the product facing down on the Styrofoam, as shown in the image. If Styrofoam is unavailable, use a thick sitting mat.



To disassemble the stand from the monitor, be sure to press the lower part of the monitor with one hand, and shake the stand from side to side with the other hand to make some gap between them.



Press the lower part of the monitor with one hand, and pull the stand with the other hand in the direction of the arrow as shown in the figure.



Remove the stand neck from the stand base by pulling it in the direction of the arrow as shown in the figure.



- **Caution** Do not press down on the monitor. There is a risk of damaging the monitor.

## Connecting and Using a Source Device

Read below before installing the monitor.

1. Check the shapes of both ends of the cables that came with the monitor, and check the shapes and positions of the matching ports on the monitor and external devices.
2. Before connecting signal cables, disconnect the power cables for the monitor and external devices from the power outlet to prevent device damage from a short circuit or overcurrent.

3. After connecting all signal cables, connect the power cables for the monitor and external devices to the power outlet.
4. Read the user manual to familiarize yourself with the monitor functions, precautions, and proper use, before using the installed monitor.

## Connecting and Using a PC

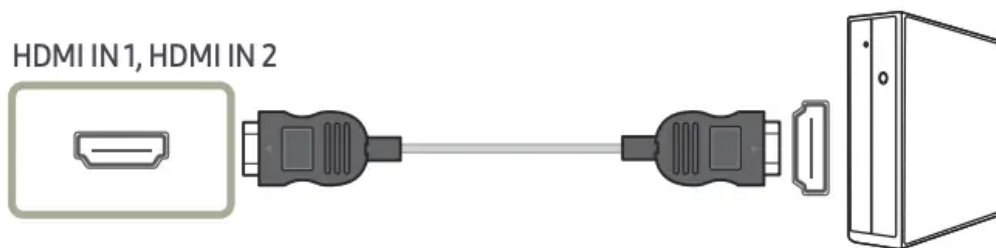
Select a connection method suitable for your PC.

- Connecting parts may differ in different products.
- Provided ports may vary depending on the product.

## Connection Using the HDMI Cable



Check to make sure that the power cables for the monitor and external devices, such as computers and set-top boxes, are not connected to the power outlet.



- To display 3840 x 2160 @ 30 Hz, use an HDMI cable that supports 3840 x 2160 @ 30 Hz to connect HDMI1. Make sure that the graphics card of the HDMI source supports 3840 x 2160 @ 30 Hz.
- To display 3840 x 2160 @ 60 Hz, use an HDMI cable that supports 3840 x 2160 @ 60 Hz to connect HDMI2. Make sure that the graphics card of the HDMI source supports 3840 x 2160 @ 60 Hz.
- When connecting an HDMI cable, use the cable that came with the components of the monitor. If you use an HDMI cable other than provided by Samsung, the image quality may be degraded.

## Connection Using the HDMI-DVI Cable



Check to make sure that the power cables for the monitor and external devices, such as computers and set-top boxes, are not connected to the power outlet.

HDMI IN 1, HDMI IN 2



— The audio function is not supported if the source device is connected using the HDMI-DVI cable.

— The optimum resolution may not be available with an HDMI-DVI cable.

### Connection Using the DP Cable



Check to make sure that the power cables for the monitor and external devices, such as computers and set-top boxes, are not connected to the power outlet.

DP IN



— To display 3840 x 2160 @ 60 Hz, use a DP cable that supports 3840 x 2160 @ 60 Hz. Make sure that the graphics card of the DP source supports 3840 x 2160 @ 60 Hz.

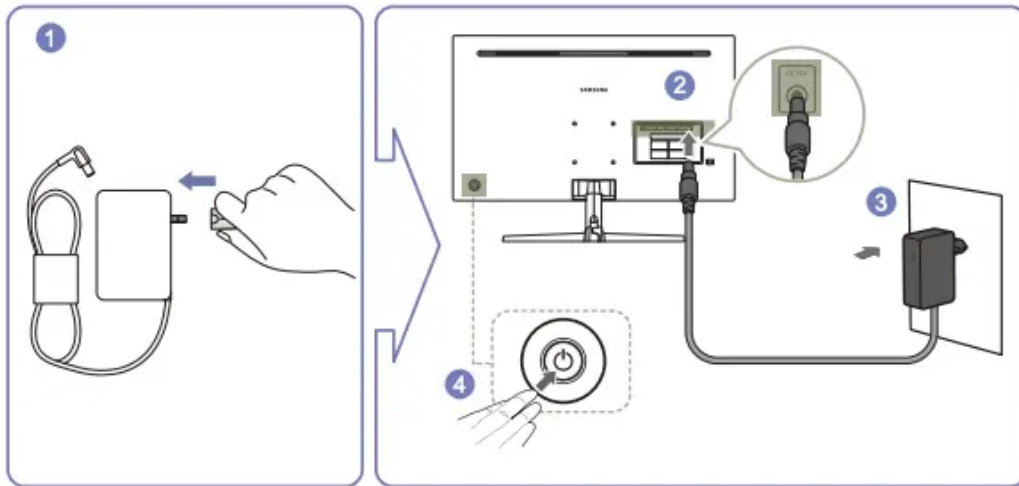
### Connecting to Headphones



— Use headphones when activating sound with an HDMI-HDMI or DP cable.

— The earphone jack supports only the 3 conductor tip-ring-sleeve (TRS) type.

### Connecting the Power



1 Connect the power plug to the AC/DC adapter.

2 Connect the AC/DC adapter cable to the DC 19V port on the back of the monitor.

3 Plug the AC/DC adapter into the power outlet.

4 Press the JOG button on the back of the monitor to turn it on.

— The input voltage is switched automatically.

### Correct posture to use the product



Use the product in the correct posture as follows:

- Straighten your back.
- Allow a distance of 45 to 50cm between your eye and the screen, and look slightly downward at the screen.
- Keep your eyes directly in front of the screen.
- Adjust the angle so light does not reflect on the screen.

- Keep your forearms perpendicular to your upper arms and level with the back of your hands.
- Keep your elbows at about a right angle.
- Adjust the height of the product so you can keep your knees bent at 90 degrees or more, your heels attached to the floor, and your arms lower than your heart.
- Do the Eye exercises or blink frequently, then eye fatigue will be relieved.

## Driver Installation

- You can set the optimum resolution and frequency for this product by installing the corresponding drivers.
- To install the latest version of the product driver, download it from the Samsung Electronics website at [samsung.com](http://samsung.com).

## Setting Optimum Resolution

An information message about setting optimum resolution will appear if you power on the product for the first time after purchase. Select a language on the product and change the resolution on your PC to the optimum setting.

- If the optimum resolution is not selected, the message will appear up to three times for a specified time even when the product is turned off and on again.
- The optimum resolution can also be selected in Control Panel on your PC.

## Screen Setup

Configure the screen settings such as brightness. A detailed description of each function is provided. Refer to your product for details.

The functions available may vary depending on the product model. The color and shape of parts may differ from what is shown. Specifications are subject to change without notice to improve quality.

## SAMSUNG MAGIC Bright

This menu provides an optimum picture quality suitable for the environment where the product will be used.

- This menu is not available when Eco Saving Plus is enabled.
- This menu is not available when Game Mode is enabled.
- This menu is not available when Eye Saver Mode is enabled.

— Not available when PIP/PBP Mode is set to On. You can customize the brightness to suit your preferences.

### **In PC mode**

- Custom: Customize the contrast and brightness as required.
- Standard: Obtain a picture quality suitable for editing documents or using Internet.
- Cinema: Obtain the brightness and sharpness of TVs suitable for enjoying video and DVD content.
- Dynamic Contrast: Obtain balanced brightness through automatic contrast adjustment.

### **In AV mode**

When the external input is connected through HDMI/DP and PC/AV Mode is set to AV, SAMSUNG MAGICBright has four automatic picture settings (Dynamic, Standard, Movie and Custom) that are preset at the factory. You can activate either Dynamic, Standard, Movie or Custom. You can select Custom which automatically recalls your personalized picture settings.

- Dynamic: Select this mode to view a sharper image than in Standard mode.
- Standard: Select this mode when the surroundings are bright. This also provides a sharp image.
- Movie: Select this mode when the surroundings are dark. This will save power and reduce eye fatigue.
- Custom: Select this mode when you want to adjust the image according to your preferences.

## **Brightness**

You can adjust the general brightness of the picture. (Range: 0~100)

A higher value will make the picture appear brighter.

— This menu is not available when SAMSUNG MAGICBright is set to Dynamic Contrast mode.

— This menu is not available when Eco Saving Plus is enabled.

— This menu is not available when Eye Saver Mode is enabled.


## **Contrast**

Adjust the contrast between the objects and background. (Range: 0~100)

A higher value will increase the contrast to make the object appear clearer.

— This option is not available when SAMSUNG MAGICBright is in Cinema or Dynamic Contrast mode.

— This menu is not available when Game Mode is enabled.

— This menu is not available when PIP/PBP Mode is set to On and the Size is set to  (PBP Mode).

## Sharpness

Make the outline of objects more clear or blurry. (Range: 0~100)

A higher value will make the outline of objects clearer.

- This option is not available when SAMSUNG MAGICBright is in Cinema or Dynamic Contrast mode.
- This menu is not available when Game Mode is enabled.
- Not available when PIP/PBP Mode is set to On.

## Color

Adjust the tint of the screen.

- This menu is not available when SAMSUNG MAGICBright is set to Cinema or Dynamic Contrast mode.
- This menu is not available when Game Mode is enabled.
- This menu is not available when Eye Saver Mode is enabled.
- Not available when PIP/PBP Mode is set to On.
  - Red: Adjust the red saturation level. Values closer to 100 mean greater intensity for the color.
  - Green: Adjust the green saturation level. Values closer to 100 mean greater intensity for the color.
  - Blue: Adjust the blue saturation level. Values closer to 100 mean greater intensity for the color.
  - Color Tone: Select a color tone that best suits your viewing needs.
- Cool 2: Set the color temperature to be cooler than Cool 1.
- Cool 1: Set the color temperature to be cooler than Normal mode.
- Normal: Display the standard color tone.
- Warm 1: Set the color temperature to be warmer than Normal mode.
- Warm 2: Set the color temperature to be warmer than Warm 1.
- Custom: Customize the color tone.

— When the external input is connected through HDMI/DP and PC/AV Mode is set to AV, Color Tone has four color temperature settings (Cool, Normal, Warm and Custom).

- Gamma: Adjust the middle level of luminance.

– Mode1 / Mode2 / Mode3

## HDMI Black Level

If a DVD player or set-top box is connected to the product via HDMI, image quality degradation (contrast/ color degradation, black level, etc.) may occur, depending on the connected source device. In such case, HDMI Black Level can be used to adjust the image quality.

If this is the case, correct the degraded picture quality using HDMI Black Level.

— This function is only available in HDMI1 or HDMI2 mode.

— Not available when PIP/PBP Mode is set to On.

- Normal: Select this mode when there is no contrast ratio degradation.
- Low: Select this mode to reduce the black level and increase the white level when there is a contrast ratio degradation.

— HDMI Black Level may not be compatible with some source devices.

—The HDMI Black Level feature is only activated at a certain AV resolution, such as 720P @ 60 Hz and 1080P @60Hz.

## Eye Saver Mode

Set to an optimum picture quality suitable for eye relaxation. TÜV Rheinland “Low Blue Light Content” is a certification for products which meet requirements for lower blue light levels. When Eye Saver Mode is 'On', the blue light that wavelength is around 400nm will decrease, and it will provide an optimum picture quality suitable for eye relaxation. At the same time, the blue light level is lower than in the default settings, and it was tested by TÜV Rheinland and certified as it met the requirements of TÜV Rheinland “Low Blue Light Content” standards.

— Not available when PIP/PBP Mode is set to On.

## Game Mode

Configure the product screen settings for game mode. Use this feature when playing games on a PC or when a game console such as PlayStation™ or Xbox™ is connected.

— This menu is not available when Eye Saver Mode is enabled.

— When the monitor turns off, enters power-saving mode or changes input sources, Game Mode turns Off even if it is set to On.




— If you want to keep Game Mode enabled all the time, select Always On.

- This menu is not available when Eco Saving Plus is enabled.
- Not available when PIP/PBP Mode is set to On.

## Response Time


Accelerate the panel response rate to make video appear more vivid and natural.

- Use Standard mode when not playing a video or game.

- This menu is not available when PIP/PBP Mode is set to On and the Size is set to  /  /  (PIP Mode).

## Picture Size

Change the picture size.

- This menu is not available when PIP/PBP Mode is set to On and the Size is set to  (PBP Mode).
- This option is not available when FreeSync is enabled.

### In PC mode

- Auto: Display the picture according to the aspect ratio of the input source.
- Wide: Display the picture in full screen regardless of the aspect ratio of the input source.

### In AV mode

- 4:3 : Display the picture with an aspect ratio of 4:3. Suitable for videos and standard broadcasts.
- 16:9 :Display the picture with an aspect ratio of 16:9.
- Screen Fit: Display the picture with the original aspect ratio without cutting off.

— The function may not be supported depending on the ports provided with the product.

— Changing the screen size is available when the following conditions are satisfied.

— A digital output device is connected using the HDMI/DP cable.

— The input signal is 480p, 576p, 720p, or 1080p and monitor can display normally (Not every model can support all of these signals.).

—This can only be set when the external input is connected through HDMI/DP and PC/AV Mode is set to AV.

## Screen Adjustment

This menu is only available when Picture Size is set to Screen Fit in AV Mode. When a 480P or 576P or 720P or 1080P signal is input in AV mode and the monitor can display normally, select Screen Fit to adjust horizontal position in 0-6 levels.

### Configuring H-Position & V-Position

- H-Position: Move the screen to the left or right.
- V-Position: Move the screen up or down.

## Setup and Reset

— The functions available may vary depending on the product model. The color and shape of parts may differ from what is shown. Specifications are subject to change without notice to improve quality

### FreeSync

FreeSync technology is solution that eliminates screen tearing without all the usual lag and latency. This feature will eliminate screen tearing and lag during game play. Improve your gaming experience. The displayed FreeSync menu items on the monitor may vary, depending on the monitor model and compatibility with the AMD graphics card.

— Not available when PIP/PBP Mode is set to On.

— The sound quality of the monitor may decrease if FreeSync is enabled.

- Off: Disable FreeSync.
- Standard Engine: Enable the basic FreeSync functions of the AMD graphics card.
- Ultimate Engine: Enable the FreeSync feature with a higher screen frame rate. Screen tearing abnormal sync between the screen and content) is reduced in this mode. Note that screen flickering may occur during game play.

Apply the optimum resolution when using FreeSync.

The refresh rate setting method please refer to Q & A → How can I change the frequency?

— The FreeSync function is only enabled in HDMI2 or DisplayPort mode. Use the HDMI/DP cable provided by the manufacturer when using FreeSync.

If you use the FreeSync function while playing a game, the following symptoms may occur:

- The screen may flicker depending on the type of graphics card, the game option settings, or the video being played. Try the following actions: decrease the game setting values, change the current FreeSync mode to Standard Engine, or visit the AMD website to check your graphics driver's version and update it with the latest one.

- While you are using the FreeSync function, the screen may flicker due to variation of the output frequency from the graphics card.
- The response rate during the game may fluctuate depending on the resolution. A higher resolution generally decreases the response rate.
- The sound quality of the monitor may be degraded.

—If you encounter any issues when using the function, contact the Samsung Service Center.

—When the resolution is changed while setting FreeSync to Standard Engine or Ultimate Engine, the screen tearing can happen intermittently. Set FreeSync to Off and change the resolution.

—The function is unavailable in the devices (e.g. AV devices) that have no AMD graphic card. If the function is applied, the screen may have malfunction.

### **The models in the Graphic Cards list supports FreeSync**

FreeSync can only be used with specific AMD graphics card models. Refer to the following list for supported graphics cards: Make sure to install the latest official graphics drivers from AMD that support FreeSync.

— For additional AMD graphics card models that support the FreeSync feature, visit the official AMD website.

— Select FreeSync Off if you are using a graphics card from a different manufacturer.

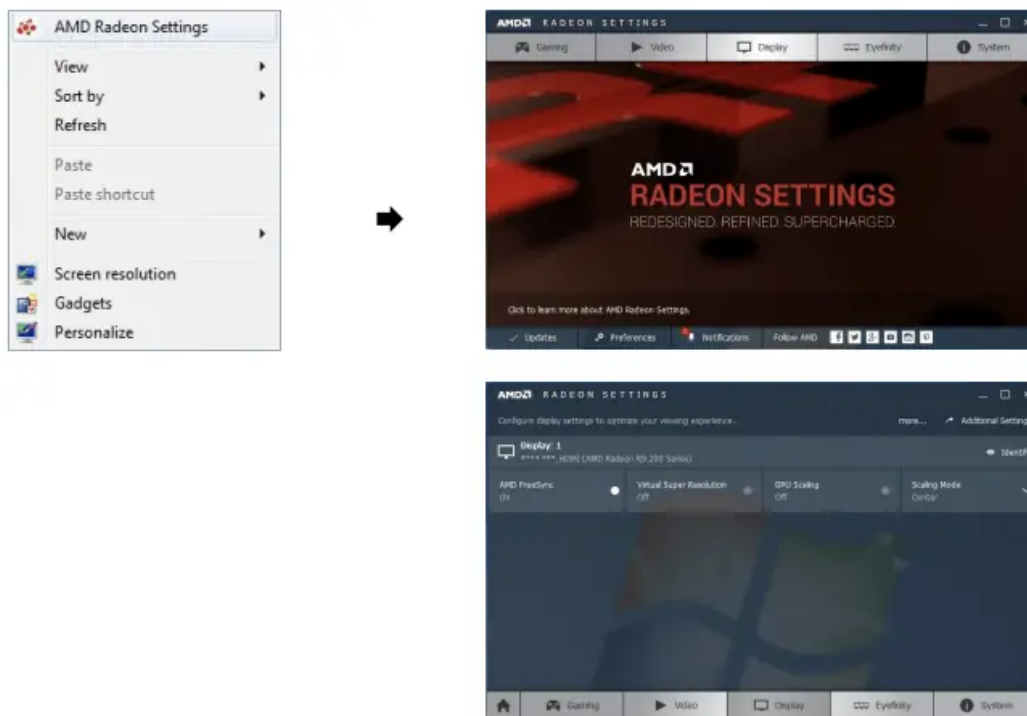
— When applying the FreeSync function via the HDMI interface, it may fail to work due to the bandwidth limitation of certain AMD display cards.

- AMD Radeon R9 300 Series (Not include 370/370X)
- AMD Radeon R9 Fury X
- AMD Radeon R7 360
- AMD Radeon R9 295X2
- AMD Radeon R9 290X
- AMD Radeon R9 290
- AMD Radeon R9 285
- AMD Radeon R7 260X
- AMD Radeon R7 260
- AMD Radeon RX 400 Series

### **How do you enable FreeSync?**

- 1 Set FreeSync to Standard Engine or Ultimate Engine in the OSD menu.

2 Enable FreeSync in AMD Radeon Settings: Right-click the mouse → AMD Radeon Settings → Display The "AMD FreeSync" feature should be set to "On". Select to "On" if not already enabled



## Eco Saving Plus

Reduce energy consumption compared to consumption at the maximum brightness level.

- This option is not available when SAMSUNG MAGICBright is in Dynamic Contrast mode.
- This menu is not available when Game Mode is enabled.
- This menu is not available when Eye Saver Mode is enabled.
- Not available when PIP/PBP Mode is set to On.
  - Off: Deactivate the Eco Saving Plus function.
  - Auto: The power consumption will automatically be reduced by about 10% over the current setting. (The reduction of power consumption depends on the customer screen brightness condition.)
  - Low: Saves up to 25 % energy compared to the maximum brightness.
  - High: Saves up to 50 % energy compared to the maximum brightness.

## Off Timer Plus


### Configuring Off Timer

Off Timer: Turn on Off Timer mode.

Turn Off After: The off timer can be set within a range of 1 to 23 hours. The product will automatically power off after the specified number of hours.

— This option is only available when Off Timer is set to On.

— For products for the market in some regions, the Off Timer is set to automatically activate 4 hours after the product powers on. This is done in accordance with power supply regulations. If

you do not want the timer to activate, go to  → System → Off Timer Plus and set Off Timer to Off.

### Configuring Eco Timer

Eco Timer: Turn on Eco Timer mode.

Eco Off After: The Eco Timer can be set between 10 and 180 minutes. The product will automatically power off after the specified time has elapsed.

— This option is only available when Eco Timer is set to On.


### PC/AV Mode

Set PC/AV Mode to AV. The picture size will be enlarged.

This option is useful when you view a movie.

- Set to PC when connected to a PC.
- Set to AV when connected to an AV device.


— Supplied for the wide models only such as 16:9 or 16:10.

— If the monitor (when set to HDMI1, HDMI2, DisplayPort) is in power saving mode or is displaying the message Check Signal Cable, press the  icon to display the On Screen Display (OSD). You can select PC or AV.

### DisplayPort Ver.

Select your Displayport.

—Incorrect settings may cause the screen to go blank. If this occurs, check the device specifications.

—If the monitor (when set to HDMI1, HDMI2, DisplayPort) is in power saving mode or is displaying the message Check Signal Cable, press the  icon to display the On Screen Display (OSD). You can select 1.1 or 1.2↑.

—If you select 1.1, the maximum resolution of your screen drops to 2560 x 1440 due to the limitations in HBR1 transmission speeds.

## Source Detection

Select either Auto or Manual as the method to recognize input signal.

— Not available when PIP/PBP Mode is set to On.

## Key Repeat Time

Control the response rate of a button when the button is pressed.

Acceleration, 1 sec, or 2 sec can be selected. If No Repeat is selected, a command responds only once when a button is pressed.

## Power LED On

Configure the settings to enable or disable the power LED located at the lower part of the product.

- Working: The power LED is on when the product is turned on.
- Stand-by: The power LED is on when the product is turned off.

## Reset All

Return all the settings for the product to the default factory settings.

# Troubleshooting Guide

## Requirements Before Contacting Samsung Customer Service Center

— Before calling Samsung Customer Service Center, test your product as follows. If the problem persists, contact Samsung Customer Service Center.

### Testing the Product

Check if your product is operating normally by using the product test function. If the screen is turned off and the power indicator blinks even though the product is properly connected to a PC, perform a self-diagnosis test.

- 1 Power off both the PC and product.
  - 2 Disconnect the cables from the product.
  - 3 Power on the product.
  - 4 If the message Check Signal Cable appears, the product is working normally.
- If the screen remains blank, check the PC system, video controller and cable.

### Checking the Resolution and Frequency

For a mode that exceeds the supported resolution(refer to Standard Signal Mode Table), the message Not Optimum Mode will appear for a short time.

— The displayed resolution may vary, depending on the computer system settings and cables.

**Check the following.**

### **Installation issue (PC mode)**

#### **The screen keeps switching on and off.**

- Check the cable connection between the product and PC, and ensure the connectors are locked.

#### **Blank spaces are found on all four sides of the screen when an HDMI or HDMI-DVI cable is connected to the product and PC.**

- The blank spaces found on the screen have nothing to do with the product.
- Blank spaces on the screen are caused by the PC or graphics card. To resolve the problem, adjust the screen size in the HDMI or DVI settings for the graphics card.
- If the graphics card settings menu does not have an option to adjust the screen size, update the graphics card driver to the latest version.
- (Please contact the graphics card or computer manufacturer for further details about how to adjust the screen settings.)

### **Screen issue**

#### **The power LED is off. The screen will not switch on.**

- Check that the power cable is connected properly.

#### **The message Check Signal Cable appears.**

- Check that the cable is properly connected to the product.
- Check that the device connected to the product is powered on.

#### **Not Optimum Mode is displayed.**

- This message appears when the signal from the graphics card exceeds the maximum resolution or frequency for the product.
- Change the maximum resolution and frequency to suit the product performance, referring to Standard Signal Mode Table (P.44).

#### **The images on the screen look distorted.**

- Check the cable connection to the product.

#### **The screen is not clear. The screen is blurry.**

- Remove any accessories (video extension cable, etc.) and try again.
- Set the resolution and frequency to the recommended level.

**The screen appears unstable and shaky. There are shadows or ghost images left on the screen.**

- Check that the resolution and frequency for the PC are within the range of resolution and frequency compatible with the product. Next, if required, change the settings, referring to Standard Signal Mode Table (P.44) in this manual and the Information menu on the product.

**The screen is too bright. The screen is too dark.**

- Adjust Brightness and Contrast.

**Screen color is inconsistent.**

- Change the Color settings.

**The colors on the screen have a shadow and are distorted.**

- Change the Color settings.

**White does not really look white.**

- Change the Color settings.

**There is no image on the screen and the power LED blinks every 0.5 to 1 second.**

- The product is operating in power-saving mode.
- Press any key on the keyboard or move the mouse to return to normal operating mode.

**Text is blurry.**

- If using a Windows OS (e.g. Windows 7, Windows 8, Windows 8.1 or Windows 10): Go to Control Panel → Fonts → Adjust ClearType text and change Turn on ClearType.

**Video playback is choppy.**

- Playback of high-definition large video files can be choppy. This may be because the video player is not optimized for the computer resource.
- Try playing the file on another video player.

**Sound issue**

**There is no sound.**

- Check the connection of the audio cable or adjust the volume.
- Check the volume.

**The volume is too low.**

- Adjust the volume.
- If the volume is still low after turning it up to the maximum level, adjust the volume on your PC sound card or software program.

### **Video is available but there is no sound.**

- Sound cannot be heard if a HDMI-DVI cable is used to connect the input device.
- Connect the device using an HDMI cable or DP cable.

### **Source device issue**

- A beeping sound is heard when my PC is booting.
- If a beeping sound is heard when your PC is booting, have your PC serviced.

### **Q & A**

— Refer to the user manual for your PC or graphics card for further instructions on adjustment

### **How can I change the frequency?**

Set the frequency on your graphics card.

- Windows 7: Go to Control Panel → Appearance and Personalization → Display → Screen Resolution → Advanced settings → Monitor, and adjust Refresh rate under Monitor settings.
- Windows 8(Windows 8.1): Go to Settings → Control Panel → Appearance and Personalization → Display → Screen Resolution → Advanced settings → Monitor, and adjust Refresh rate under Monitor settings.
- Windows 10: Go to Settings → System → Display → Advanced display settings → Display adapter properties → Monitor, and adjust Screen refresh rate under Monitor settings.

### **How can I change the resolution?**

- Windows 7: Go to Control Panel → Appearance and Personalization → Display → Adjust Resolution, and adjust the resolution.
- Windows 8(Windows 8.1): Go to Settings → Control Panel → Appearance and Personalization → Display → Adjust Resolution, and adjust the resolution.
- Windows 10: Go to Settings → System → Display → Advanced display settings, and adjust the resolution.

### **How do I set power-saving mode?**

- Windows 7: Set power-saving mode in Control Panel → Appearance and Personalization → Personalize → Screen Saver Settings → Power options or BIOS SETUP on the PC.
- Windows 8(Windows 8.1): Set power-saving mode in Settings → Control Panel → Appearance and Personalization → Personalize → Screen Saver Settings → Power options or BIOS SETUP on the PC.
- Windows 10: Set power-saving mode in Settings → Personalization → Lock screen → Screen timeout settings → Power & sleep or BIOS SETUP on the PC.

**Warning**

This content is compiled from multiple sources and is provided for reference purposes only. It may not be complete or fully applicable to all situations. If you are unable to resolve your issue, please contact the product manufacturer or an authorized service provider for official support.

---

Document generated by [ManualsFile](#)