

## SPECIFICATIONS

Model:	EM720CB7
Rated Voltage:	120V~60Hz
Rated Input Power(Microwave):	1050W
Rated Output Power(Microwave):	700W
Oven Capacity:	0.7 Cu.ft
Turntable Diameter:	10 inch
External Dimensions:	17.3 X13 X 10.2 inch (440X330X259mm)
Net Weight:	Approx.21.6 Lbs (9.82 kg)

## CONTAINERS

**CAUTION** Personal Injury Hazard Tightly-closed containers could explode. Closed containers should be opened and plastic pouches should be pierced before cooking.

See the instructions on "Materials you can use in microwave oven or to be avoided in microwave oven on page 6."

There may be certain non-metallic containers that are not safe to use for microwaving. If in doubt, you can test the

container in question following the procedure below. container Test:

1. Fill a microwave-safe container with 1 cup of cold water (250ml) along with the container in question.
2. Cook on maximum power for 1 minute.
3. Carefully feel the container. If the empty container is warm, do not use it for microwave cooking.
4. Do not exceed 1 minute cooking time.

### Materials you can use in microwave oven

#### Browning dish

- Follow manufacturer's instructions. The bottom of browning dish must be at least 3/16 inch (5mm) above the turntable. Incorrect usage may cause the turntable to break.

#### Dinnerware

- Microwave-safe only. Follow manufacturer's instructions. Do not use cracked or chipped dishes.

### Glass jars

- Always remove lid. Use only to heat food until just warm. Most glass jars are not heat resistant and may break.

### Glassware

- Heat-resistant oven glassware only. Make sure there is no metallic trim. Do not use cracked or chipped dishes.

### Oven cooking bags

- Follow manufacturer's instructions. Do not close with metal tie. Make slits to allow steam to escape.

### Paper plates and cups

- Use for short-term cooking/warming only. Do not leave oven unattended while cooking

### Paper towels

- Use to cover food for reheating and absorbing fat. Use with supervision for a short-term cooking only.

### Parchment paper

- Use as a cover to prevent splattering or a wrap for steaming.

### Plastic

- Microwave-safe only. Follow the manufacturer's instructions. Should be labeled "Microwave Safe". Some plastic containers soften, as the food inside gets hot. "Boiling bags" and tightly closed plastic bags should be slit, pierced or vented as directed by package.

### Plastic wrap

- Microwave-safe only. Use to cover food during cooking to retain moisture. Do not allow plastic wrap to touch food.

### Thermometers

- Microwave-safe only (meat and candy thermometers).

### Wax paper

- Use as a cover to prevent splattering and retain moisture.

## **Materials to be avoided in microwave oven**

### Aluminum tray

- May cause arcing. Transfer food into microwave-safe dish.

Food carton with metal handle

- May cause arcing. Transfer food into microwave-safe dish.

Metal or metal-trimmed containers

- Metal shields the food from microwave energy. Metal trim may cause arcing

Metal twist ties

- May cause arcing and could cause a fire in the oven

Paper bags

- May cause a fire in the oven

Plastic foam

- Plastic foam may melt or contaminate the liquid inside when exposed to high temperature.

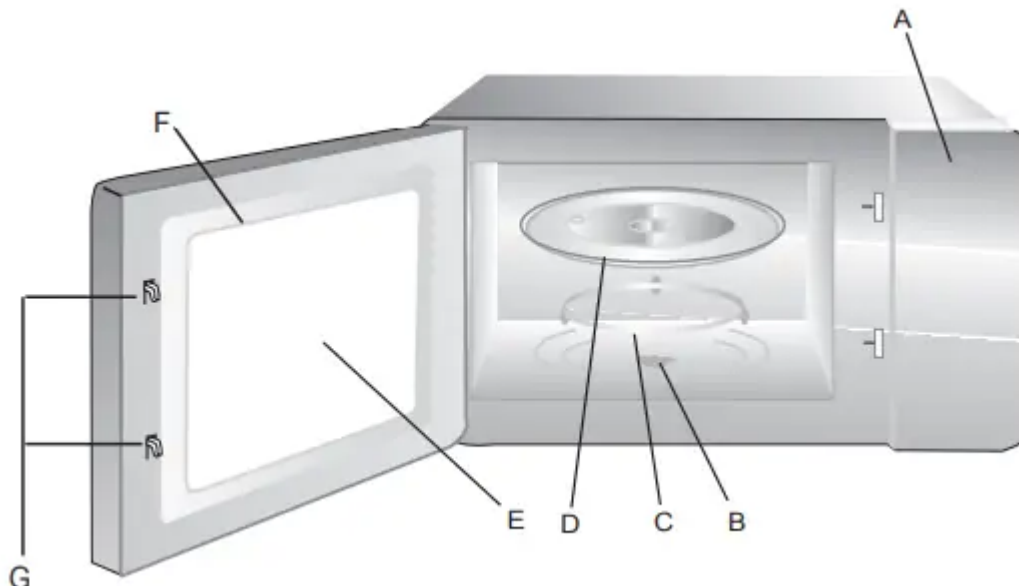
Wood

- Wood will dry out when used in the microwave oven and may split or crack.

## SETTING UP YOUR OVEN

### Names of Oven Parts and Accessories

Remove the oven and all materials from the carton and oven cavity.



A) Control panel

B) Turntable shaft

C) Turntable ring assembly

- D) Glass tray
- E) Observation window
- F) Door assembly
- G) Safety interlock system

### **Turntable Installation**



- a. Never place the glass tray upside down. The glass tray should never be restricted.
- b. Both glass tray and turntable ring assembly must always be used during cooking.
- c. All food and containers of food are always placed on the glass tray for cooking.
- d. If glass tray or turntable ring assembly cracks breaks, contact your nearest or authorized service center.

### **Countertop Installation**

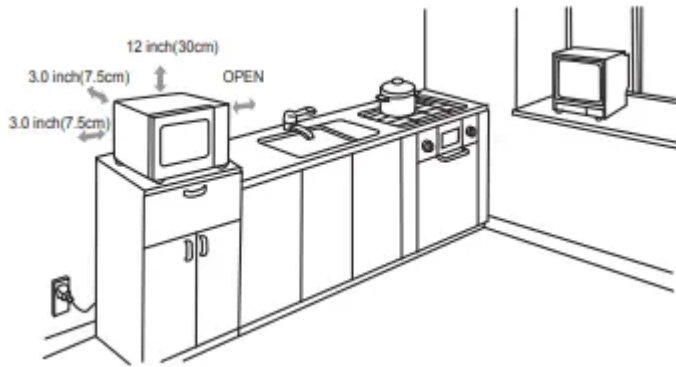
Remove all packing material and accessories. Examine the oven for any damage such as dents or broken door. Do not install if oven is damaged.

Countertop Installation Cabinet: Remove any protective film found on the microwave oven cabinet surface.

Do not remove the light brown Mica cover that is attached to the oven cavity to protect the magnetron.

### **Installation**

1. Select a level surface that provides enough open space for the intake de and/or outlet vents.



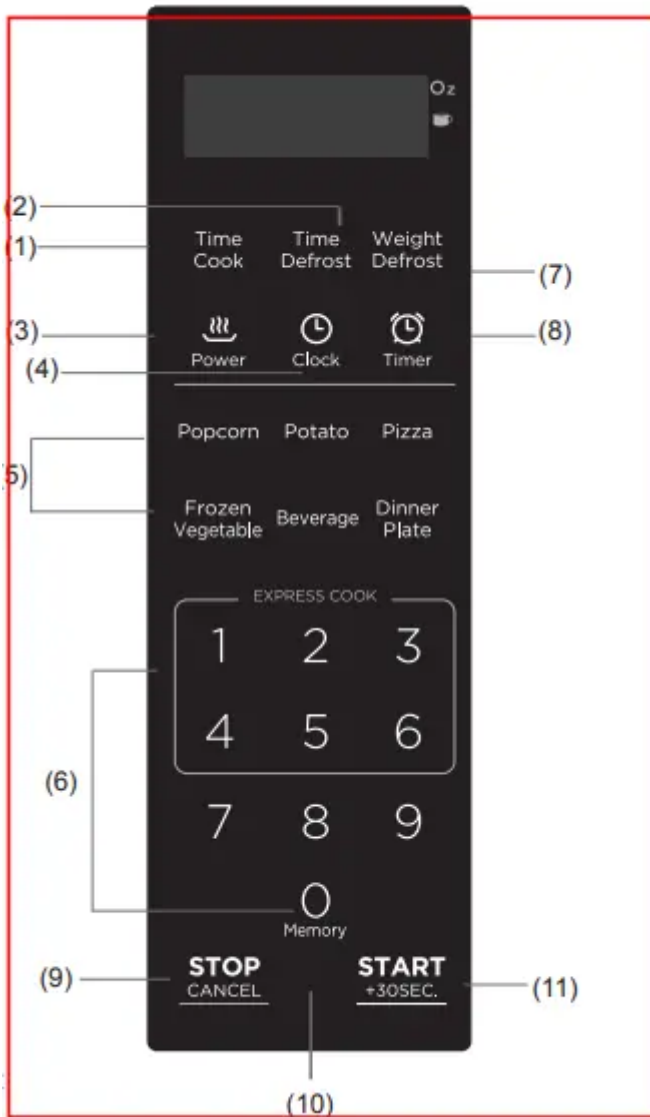
A minimum clearance of 3.0 inches (7.5cm) is required between the oven and any adjacent walls. One side must be open.

- (1) Leave a minimum clearance of 12 inches (30cm) above the oven.
- (2) Do not remove the legs from the bottom of the oven.
- (3) Blocking the intake and/or outlet openings can damage the oven.
- (4) Place the oven as far away from radios and TV as possible. Operation of microwave oven may cause interference to your radio or TV reception.

**2.** Plug your oven into a standard household outlet. Be sure the voltage and the frequency is the same as the voltage and the frequency on the rating label. **WARNING:** Do not install oven over a range cooktop or other heat-producing appliance. If installed near or over a heat source, the oven could be damaged and the warranty would be void.

# OPERATION

## Control Panel and Features



(1) Time Cook

(2) Time Defrost

(3) Power

(4) Clock

(5) Auto menu: Popcorn, Potato, Pizza, Frozen vegetable, Beverage, Dinner plate

(6) Number Buttons:0-9

(7) Weight Defrost

(8) Kitchen Timer function

(9) Stop/Cancel: clears all previous setting pressed before cooking starts. During cooking: press once to stop oven; twice to stop and clear all entries

(10) Memory function

(11) Start/+30sec.

### 1. Power Level

11 power levels are available

Level	10	9	8	7	6	5	4	3	2	1	0
Power	100%	90%	80%	70%	60%	50%	40%	30%	20%	10%	0%
Display	PL10	PL9	PL8	PL7	PL6	PL5	PL4	PL3	PL2	PL1	PL0

### 2. Clock Setting

(1) Press " CLOCK ", "00:00" will display



(2) Press the number keys and enter the current time. For example, time is 10:12 now, please press "1, 0, 1, 2" in turn.



(3) Press " CLOCK " to finish clock setting. ":" will flash and the clock will be lighted.

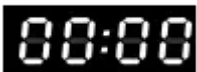
(4) If the numbers input are not within the range of 1:00--12:59, the setting will be invalid until valid numbers are input

Note: (1) In the process of clock setting, if the " STOP/CANCEL " button is pressed or if there is no operation within 1 minute, the oven will go back to the former setting automatically.

(2) If the clock need to be reset, please repeat step 1 to step 3.

### 3. Kitchen Timer

(1) Press "TIMER ", LED will display 00:00, the first hour figure flash.



(2) Press the number keys and enter the timer time. (The maximum cooking time is 99 minutes and 99 seconds.)

(3) Press " START/+30SEC. " to confirm setting.

(4) When the timer time arrives, the buzzer will ring 5 times

If the clock is set (12-hour system), LED will display the current time.

**Note:**

- 1) The kitchen time is differ from 12-hour system. Kitchen Timer is a timer.
- 2) During kitchen timer, any program cannot be set.

#### 4. Microwave cook

(1) Press "TIME COOK" once, LED will display "00:00".



(2) Press number keys to input the cooking time; the maximum cooking time is 99 minutes and 99 seconds.

(3) Press " POWER " once, LED will display "PL10". The default power is 100% power. Now you can press number keys to adjust the power level.

(4) Press " START/+30SEC." to start cooking.

Example: to cook the food with 50% microwave power for 15 minutes.

a. Press "TIME COOK" once."00:00" displays.

b.Press "1", "5", "0", "0" in order.



c.Press "POWER"once, then press "5" to select 50% microwave power.

d.Press "START/+30SEC." to start cooking.

Note:1) In the process of cooking, if the " STOP/CANCEL " button is pressed, or if there is no operation within 1 minute, the oven will go back to the former setting automatically.

2) If "PL0" selected, the oven will work with fan for no power.

3) During microwave setting, "POWER" can be pressed to change the power you need. After pressing "POWER", the current power lights, now you can press number button to change the power. The oven will work with the selected power for the rest time.

#### 5. Speedy Cooking

(1) In waiting state, instant cooking at 100% power level can be started by select a cooking time from 1 to 6 minutes by pressing number pads1 to 6. Press " START/+30SEC." to increase the cooking time. The maximum cooking time is 99 minutes and 99 seconds.

(2) In waiting state, instant cooking at 100% power level with 30 seconds' cooking time can be started by pressing " START/+30SEC. ". Each press on the same button will increase cooking time by 30 seconds. The maximum cooking time is 99 minutes and 99 seconds.

Note: during microwave cooking and time defrost,time can be added by pressing "START/30SEC." button

## 6. Weight Defrost Function

(1) Press " WEIGHT DEFROST ", LED will display "dEF1".



(2) Press numerical buttons to input weight to be defrosted.

Input the weight ranged between 4~100 Oz.

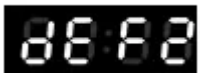


(3) If the weight input is not within 4~100 Oz, the input will be invalid.

(4) Press " START/+30SEC. " to start defrosting and the cooking time remained will be displayed.

## 7. Time Defrost Function

(1) Press " TIME DEFROST ", LED will display "dEF2".



(2) Press number pads to input defrosting time. The effective time range is 00:01~99:99.

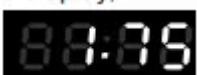
(3) The default microwave power is power level 3. If you want to change the power level, press " POWER " once, and the LED will display "PL 3", then press the number pad of the power level you wanted.

(4) Press " START/+30SEC. " to start defrosting. The remained cooking time will be displayed.

## 8. POPCORN

a) Press " POPCORN " repeatedly until the number you wish appears in the display, "1.75", "3.0", "3.5" Oz will display in order.

For example, press "POPCORN" once, "1.75" appears.



b) Press " START/+30 SEC. " to cook, buzzer sounds once. When cooking finishes, buzzer sounds five times and then turn back to waiting state.

## 9. POTATO

a) Press " POTATO " repeatedly until the number you wish appears in the display,



"1", "2", "3" will display in order.

"1" SET : 1 potato (approximate 8.0 Oz)

"2" SETS: 2 potatoes (approximate 16.0 Oz)

"3" SETS: 3 potatoes (approximate 24.0 Oz)

For example, press "POTATO" once, "1" appears

b) Press " START/+30 SEC. " to cook, buzzer sounds once. When cooking finishes, buzzer sounds five times and then turn back to waiting state.

#### **10. FROZEN VEGETABLE**

a) Press " FROZEN VEGETABLE " repeatedly until the number you wish appears in the display, "4.0", "8.0", "16.0" oz will display in order. For example, press "FROZEN VEGETABLE" once, "4.0" appears.



b) Press " START/+30 SEC. " to cook, buzzer sounds once. When cooking finishes, buzzer sounds five times and then turn back to waiting state.

#### **11. BEVERGAE**

a) Press " BEVERAGE " repeatedly until the number you wish appears in the display, "1", "2", "3" cup will display in order. One cup is about 120ml. For example, press "BEVERAGE" once, "1" appears.



b) Press " START/+30 SEC. " to cook, buzzer sounds once. When cooking finishes, buzzer sounds five times and then turn back to waiting state.

#### **12. DINNER PLATE**

a) Press " DINNER PLATE " repeatedly until the number you wish appears in the display, "9.0", "12.0", "18.0" oz will display in order. For example, press "DINNER PLATE" once, "9.0" appears.



b) Press " START/+30 SEC. " to cook, buzzer sounds once. When cooking finishes, buzzer sounds five times and then turn back to waiting state.

#### **13. PIZZA**

a) Press " PIZZA " repeatedly until the number you wish appears in the display, "4.0","8.0","14.0" oz will display in order. For example, press "PIZZA" once, "4.0" appears.



b) Press " START/+30 SEC. " to cook, buzzer sounds once. When cooking finishes, buzzer sounds five times and then turn back to waiting state.

#### **14. MEMORY FUNCTION**

(1) Press "0/MEMORY" to choose memory 1-3 procedure. The LED will display 1,2,3.

(2) If the procedure has been set, press " START/ +30 SEC." to use it. If not, continue to set the procedure. Only one or two stages can be set.

(3) After finishing the setting, press "START/ +30 SEC." once to save the procedure. If press " START/ +30 SEC." again, it will start cooking.

Example: to set the following procedure as the second memory, that is memory 2. to cook the food with 80% microwave power for 3 minutes and 20 seconds.

The steps are as follow

a. In waiting state, press "0/MEMORY" twice, stop pressing until the screen displays "2".

b. Press "TIME COOK" once, then press "3","2","0" in order.

c. Press "POWER" once, "PL10" display, then press "8" and "PL8" displays.

d. Press "START/ +30 SEC." to save the setting. Buzzer sounds once and the LED will display "2". If you press "START/+30SEC." again, the procedure will be saved as the memory 2 and operated

e. If the electricity is not cut off, the procedure will be saved all the time. If it is, the procedure need to reset

f. If you want to run the saved procedure, in waiting state, press "0/MEMORY" twice, screen displays "2", then press "START/+30SEC." to run.

#### **15. MULTI STAGE COOKING**

At most 2 stages can be set for cooking. In multi-stage cooking, if one stage is defrosting, then defrosting shall be placed at the first stage automatically.

Note: Auto cooking cannot work in the multi-stage cooking.

Example: if you want to cook with 80% microwave power for 5 minutes + 60% microwave power for 10 minutes. The cooking steps are as following:

(1) Press "TIME COOK" once, then press "5","0","0" to set the cooking time;

(2) Press "POWER" once, then press "8" to select 80% microwave power.

(3) Press "TIME COOK" once, then press "1","0","0","0" to set the cooking time;

(4) Press "POWER" once, then press "6" to select 60% microwave power.


(5) Press "START/ +30 SEC." to start cooking.

## 16. INQUIRING FUNCTION

(1) In cooking state, press " CLOCK ", the LED will display clock for three seconds.

(2) In the microwave cooking state, press " POWER " to inquire microwave power level, and the current microwave power will be displayed. After three seconds, the oven will turn back to the previous state. In multi-stage state, the inquiring way can be done by the same way as above.

## 17. LOCK FUNCTION FOR CHILDREN

Lock: In waiting state, press " STOP/CANCEL " for 3 seconds, there will be a long "beep" denoting the entering into the children-lock state; meanwhile, LED will display "  "

Lock quitting: In locked state, press " STOP/CANCEL " for 3 seconds, there will be a long beep" denoting that lock is released.

## 18. COOKING END REMINDING FUNCTION

When the cooking is over, the buzzer will sound 5 "beep" to alert user the cooking is finished.

## 19. OTHER SPECIFICATIONS

(1) In standby state , if the set clock digital tube displays current time, the icon " : " would flash; otherwise, it shows " 0:00 " .

(2) In setting function state, LED displays corresponding setting.

(3) In working or pause state, LED displays surplus cooking time

# MAINTENANCE

## Troubleshooting

Check your problem by referencing the chart below and trying the solutions for each problem. If the microwave oven still does not work properly, contact the nearest authorized service center

### Oven will not start

- Possible Cause

- a. Electrical cord for oven is not plugged in.
- b. Door is open.
- c. Wrong operation is set

- Possible Remedy

- a. Plug into the outlet.

- b. Close the door and try again.
- c. Check instructions

### **Arcing or sparking**

- Possible Cause

- a. Materials to be avoided in microwave oven were used. See page 6.
- b. The oven is operated when empty.
- c. Spilled food remains in the cavity.

- Possible Remedy

- a. Use microwave-safe cookware only.
- b. Do not operate with oven empty.
- c. Clean cavity with wet towel.

### **Unevenly cooked foods**

- Possible Cause

- a. Materials to be avoided in microwave oven were used. See page 6.
- b. Food is not defrosted completely.
- c. Cooking time, power level is not suitable.
- d. Food is not turned or stirred.

- Possible Remedy

- a. Use microwave-safe cookware only.
- b. Completely defrost food.
- c. Use correct cooking time, power level.
- d. Turn or stir food.

### **Overcooked foods**

- Possible Cause: Cooking time, power level is not suitable.
- Possible Remedy: Use correct cooking time, power level.

### **Undercooked foods**

- Possible Cause:

- a. Materials to be avoided in microwave oven were used. See page 6.
- b. Food is not defrosted completely.
- c. Oven ventilation ports are restricted.

- d. Cooking time, power level is not suitable.
  - Possible Remedy
- a. Use microwave-safe cookware only.
- b. Completely defrost food.
- c. Check to see that oven ventilation ports are not restricted.
- d. Use correct cooking time, power level

### **Improper defrosting**

- Possible Cause:
  - a. Materials to be avoided in microwave oven were used See page 6
  - b. Cooking time, power level is not suitable
  - c. Food is not turned or stirred
- Possible Remedy
  - a. Use microwave-safe cookware only.
  - b. Use correct cooking time, power level.
  - c. Turn or stir food.

#### **Warning**

This content is compiled from multiple sources and is provided for reference purposes only. It may not be complete or fully applicable to all situations. If you are unable to resolve your issue, please contact the product manufacturer or an authorized service provider for official support.