

## Installation

Follow these instructions carefully to ensure proper installation of the washer and to prevent accidents when using it.

### WARNING

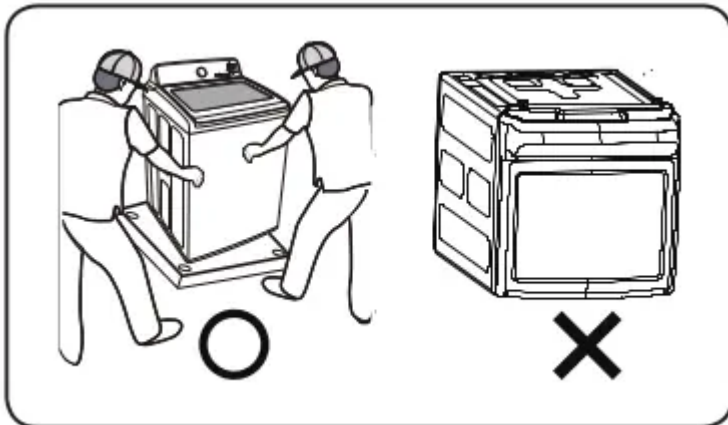
Certain internal parts are intentionally not grounded and may present a risk electric shock only during servicing. Service personnel - Do not contact the following parts while the appliance is energized: Control board, heat sink, motor, inlet valve, heater and pump.

### Unpacking your washer

Unpack your washer and inspect it for shipping damage. Make sure you have received all the items shown below. If your washer was damaged during shipping, or you do not have all of the items, contact 1-800-SAMSUNG (1-800-726-7864).

To prevent personal injury or strain, wear protective gloves whenever lifting or carrying the unit.

WARNING: Packing materials can be dangerous to children; Keep all packing material (plastic bags, polystyrene, etc.) well out of children's reach.



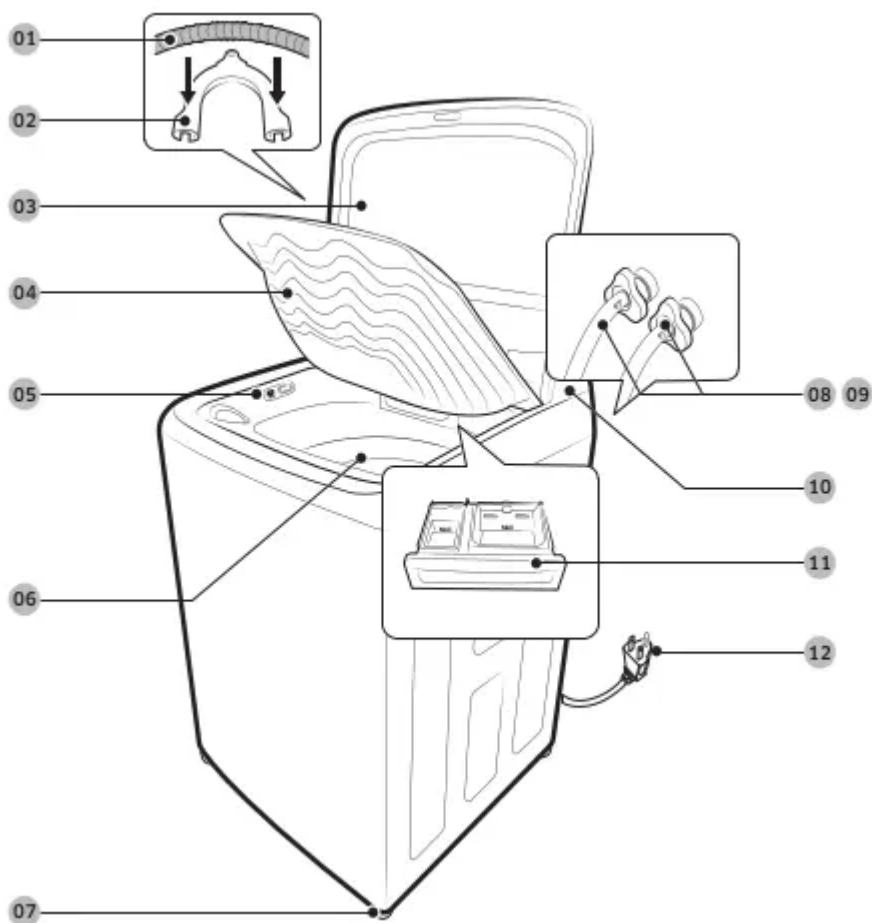
### CAUTION

When unpacking the washer, a 2 person collaboration is needed. To remove the cushion bottom of the packing materials, do not tip the washer over on its front side. the carton base, protect the side of the washer and lay it down on its side carefully.

Never lay your washer on its back or front.

### Overview of your washer

Make sure all the parts are included in the product package. If you have a problem with the washer or the parts, contact the Samsung customer care center or your retailer.

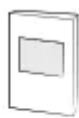


- 01 Drain hose
- 02 Hose guide
- 03 Lid
- 04 Built-in sink
- 05 Water Jet
- 06 Tub
- 07 Leveling feet
- 08 Water hose (Cold)
- 09 Water hose (Hot)
- 10 Control panel
- 11 Detergent drawer
- 12 Power cord

**Parts supplied**



Hose guide



User manual



Plastic zip hose tie



Water intake cap

**Parts not supplied**



Water hoses

### Tools needed for installation



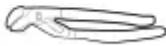
Wrench



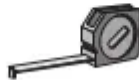
Philips screwdriver



Level



Adjustable Plier



Measuring tape

### Note

- If you lose an accessory and want to purchase a replacement, contact the the Samsung customer care center (1-800-SAMSUNG (1-800-726-7864))
- The design of the parts and accessories may differ from the pictures above. Their design is subject to change without notice for product improvement.
- Do not reuse old hoses. Only use new water supply hoses when you install the washer. Old water supply hoses can leak or burst causing flooding and property damage.
- Confirm that there are rubber washers inside the couplings of each water supply hose.

### Basic location requirements

#### Electrical

- + 120 Volt 60 Hz 15 AMP fuse or circuit breaker.
- + Individual branch circuit serving only your Washer is recommended.
- + Your washer is equipped with a power cord.

#### CAUTION

Never use an extension cord.

#### Grounding

Electrical grounding is required for this appliance.

This appliance must be grounded. In the event of malfunction or breakdown, grounding will reduce the risk of electric shock by providing a path of least resistance for electric current.

This appliance is equipped with a power cord having a three-prong grounding plug for use in a properly installed and grounded outlet.

The plug must be plugged into an appropriate outlet that is properly installed and grounded in accordance with all local codes and ordinances.

**WARNING:** An improperly connected equipment- grounding conductor can increase the risk of electrical shock. Check with a qualified electrician or serviceman if you are not sure whether the appliance is properly grounded.

Do not modify the plug provided with the appliance - if it does not fit the outlet, have a proper outlet installed by a qualified electrician

Important safety precautions

To prevent unnecessary risk of fire, electrical shock, or personal injury, all wiring and grounding must be done in accordance with the National Electrical Code ANSI/FNPA, No.70 Latest Revision and local codes and ordinances. It is the personal responsibility of the appliance owner to provide adequate electrical service for this appliance.

**CAUTION**

Never connect the ground wire to plastic plumbing lines, gas lines, or hot water pipes.

### **Water**

To correctly fill your washer in the proper amount of time, water pressure of 20 to 116 psi (137 to 800 kPa) is required.

Water pressure less than 20 psi may cause water valve failure, or may not allow the water valve to shut off completely, or may extend the fill time beyond what your washer controls allow, causing your washer to turn off. A time limit is built into the controls to prevent flooding in your home if a hose becomes loose.

The water faucets must be within 4 feet (122 cm) of the back of your washer to match the inlet hoses provided with your washer.

Accessory inlet hoses are available in various lengths up to 10 feet (275 cm) for faucets that are further away from the back of your washer.

### **To avoid the possibility of water damage:**

- + Have water faucets easily accessible.
- + Turn off faucets when the washer is not in use.
- + Periodically check that there is no leakage from the water inlet hose fittings.

### **WARNING**

Check all connections at the water valve and faucet for leaks

### **Drain facility**

The recommended height of the standpipe is 39 in (99 cm). The drain hose must be routed through the drain hose clip to the standpipe. The standpipe must be large enough to accept

the outside diameter of the drain hose. The drain hose is attached to the washer at the factory.

### Flooring

For best performance, you must install your washer on a solidly constructed floor. Wood floors may need to be reinforced to minimize vibration and/or unbalanced load situations. Carpeting and soft tile surfaces are contributing factors to vibration which can cause your washer to move slightly during the spin cycle.

Never install your washer on a platform or weakly supported structure.

### Location considerations

Do not install your washer in areas where water may freeze, since your washer will always retain some water in its water valve, pump, and hose areas. Frozen water can damage the belts, the pump, hoses, and other components.

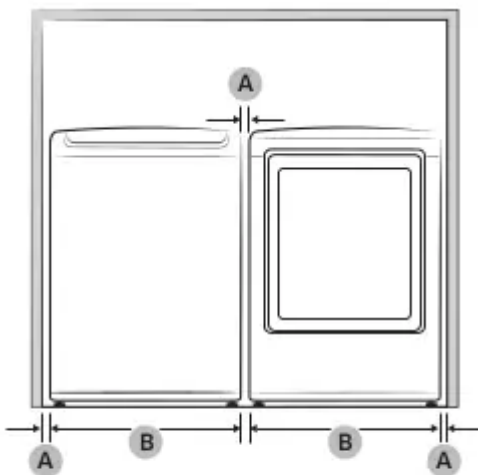
### Alcove or closet installation

Minimum clearances for closet and alcove installations:

Sides	1 in / 25 mm	Closet front	2 in / 51 mm
Rear	6 in / 152 mm	Top	21 in / 533 mm

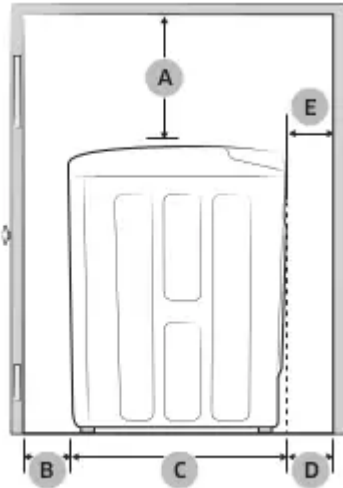
If the washer and dryer are installed together, the closet front must have at least 72 in<sup>2</sup> (465 cm<sup>2</sup>) unobstructed air opening. Your washer alone does not require a specific air opening.

Recessed area



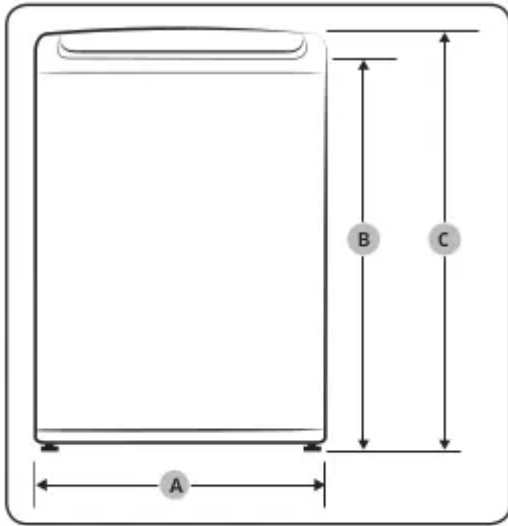
A	1 in (2.5 cm)
B	27.0 in (68.6 cm)

Side view - closet or confined area

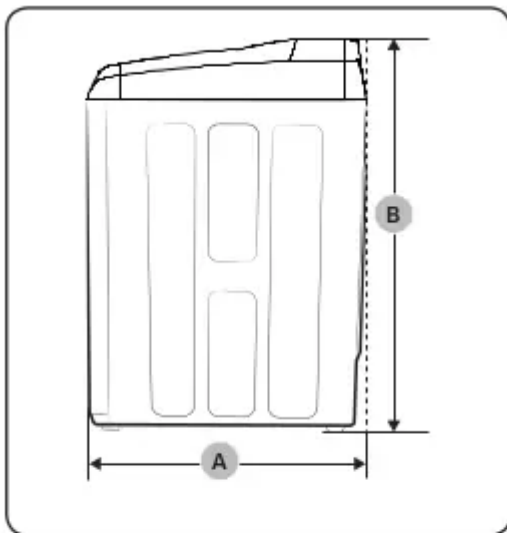


A	21 in (53.3 cm)
B	2 in (5.1 cm)
C	29 7/16 in (74.4 cm)
D	6 in (15.2 cm)
E	<p>Gap between end of water valve and the wall</p> <ul style="list-style-type: none"> <li>Case 1. Assemble supply hose after installing : Over 4 in (10 cm).</li> <li>Case 2. Assemble supply hose before installing : Over 3 in (8 cm).</li> </ul>

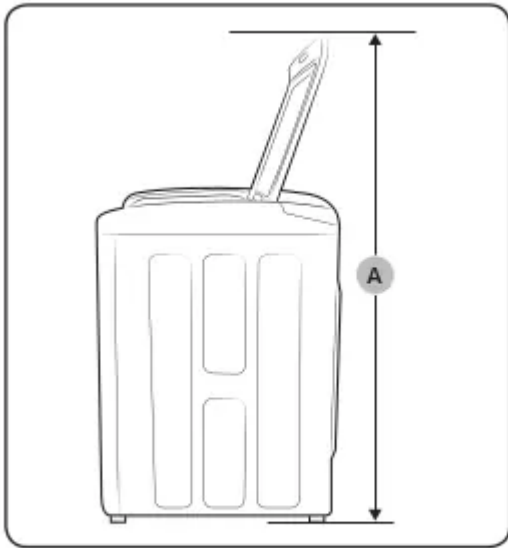
### Required dimensions for Installation



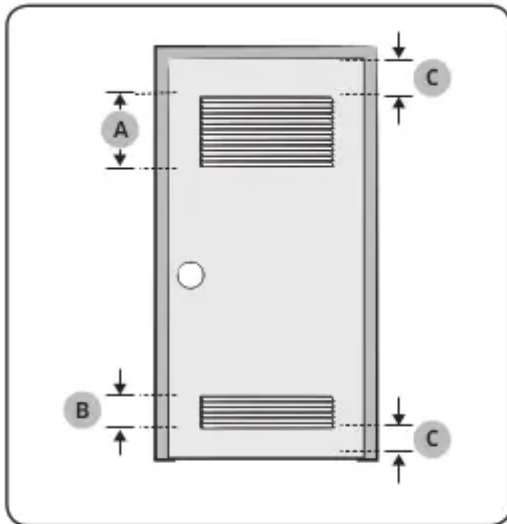
A	27.0 in (68.6 cm)
B	39.2 in (99.5 cm)
C	42.4 in (107.7 cm)



A	29.3 in (74.4 cm)
B	42.4 in (107.7 cm)



A	61.0 in (155.0 cm)
---	--------------------



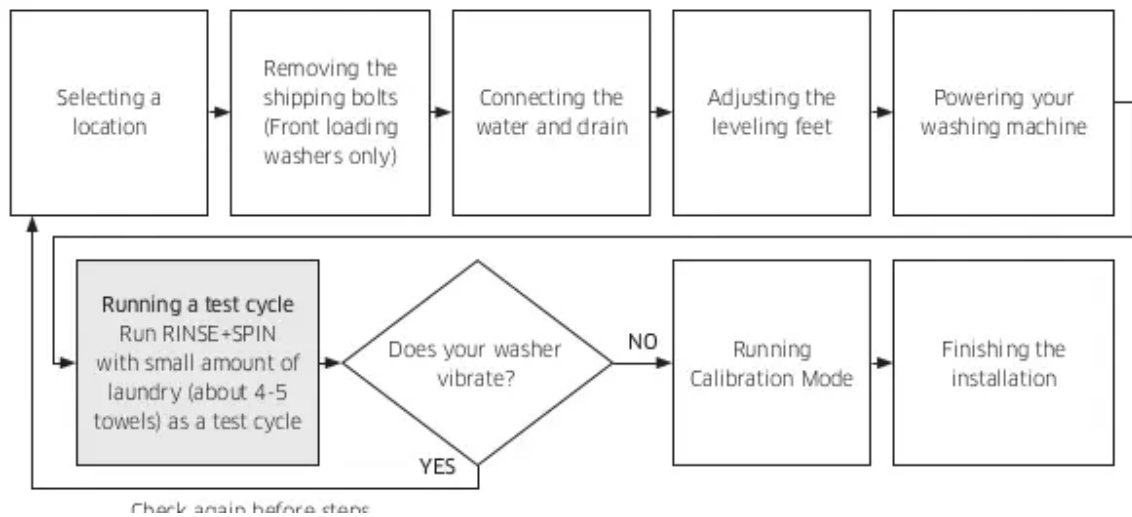
A*	48.0 in <sup>2</sup> (310.0 cm <sup>2</sup> )
B*	24.0 in <sup>2</sup> (155.0 cm <sup>2</sup> )
C	3.0 in (7.6 cm)

**Important note to installer**

Please read the following instructions carefully before installing your washer. These instructions should be retained for future reference. We recommend you hire a professional to install this washer.

**Installation flow chart**





## Step-by-step installation

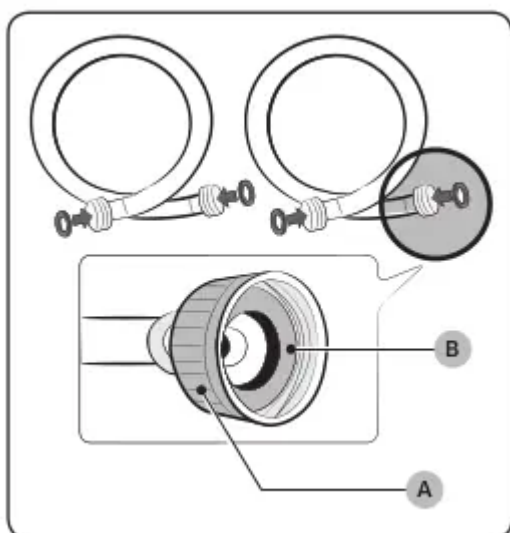
### STEP 1 Selecting a location

Note

Before you install the washer, make sure the location:

- + Has a hard, level surface without carpeting or flooring that may obstruct ventilation
- + Is away from direct sunlight.
- + Has adequate ventilation.
- + Not exposed to freezing temperatures (temperatures under 32 F or 0 °C).
- + Is away from heat sources such as oil or gas.
- + Has enough space so that the washer doesn't rest on its power cord

### STEP 2 Connecting the water supply hoses



Caution

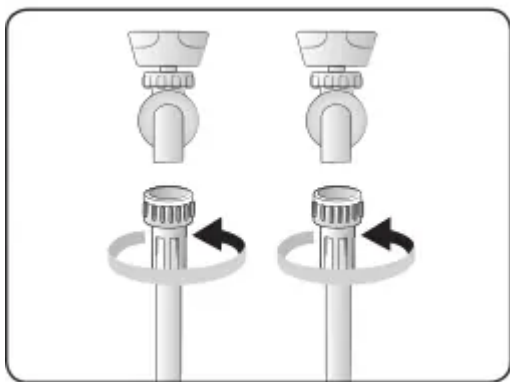
Before installing the water supply hoses, make sure there are rubber gaskets (B) inside the couplings (A) at both ends of each new water hose. Installing the water supply hoses without rubber gaskets can cause water leakage.

**Caution**

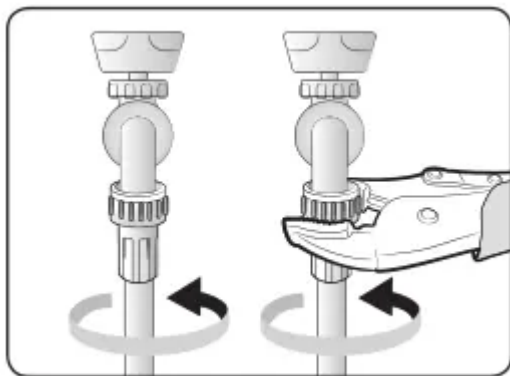
When you initially install the washer, be sure to use new hoses. Failing to do so may result in a water leakage or overflow and may damage your property.

**Caution**

Do not connect multiple water supply hoses together to increase the length of the supply hose. Hoses connected this way can leak and the leakage can cause electrical shock. If a hose is too short, replace the hose with a longer, high pressure hose.



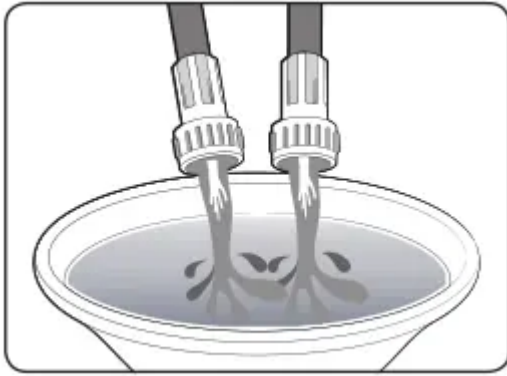
1. Connect the ends of the water supply hoses to the hot and cold faucets.



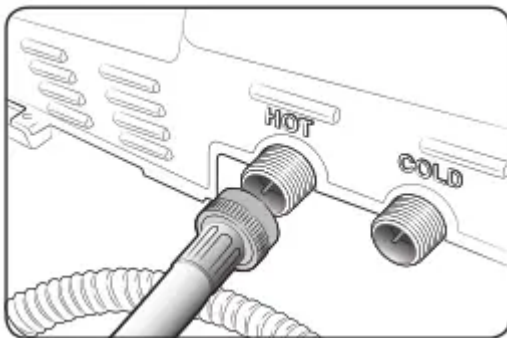
2. Tighten the fittings by hand until they are snug, and then tighten them an additional two-thirds of a turn with pliers.

**Caution:** When you fasten the fittings, do not fasten them too tightly or apply tape or sealant to the faucets or water supply intakes. This can damage the fittings.

**NOTE:** After you have connected the water supply hoses to the faucets, ensure that they are connected correctly by pulling the water supply hoses downwards.



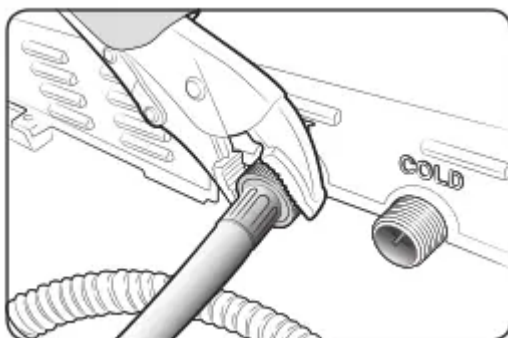
3. Place the unconnected ends of the hoses into a bucket and open the faucets connected to the two water supply hoses for 10 or 15 seconds to remove any foreign substances from the hoses. Close the faucets before continuing.



4. Connect the ends of the water supply hoses to the water supply intake connections at the back of the washer.

#### CAUTION

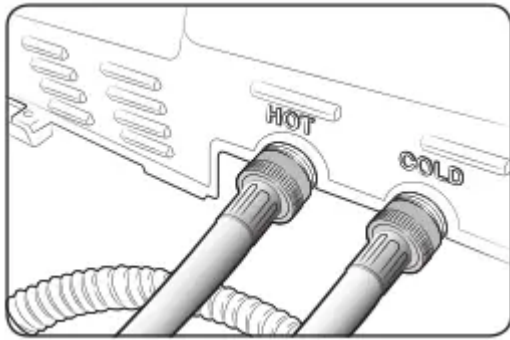
The water supply hose connected to the hot faucet must be connected to the hot water supply intake and the water hose connected to the cold faucet must be connected to the cold water supply intake.



5. Tighten the fittings by hand until they are snug, and then tighten them an additional two-thirds of a turn with a plier.

Note

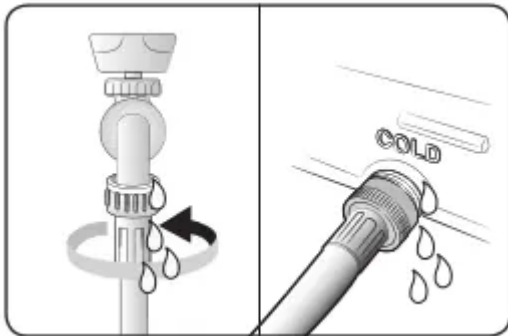
To ensure the correct water usage, connect both the hot and cold water faucets. If either or both are not connected, the washer will display a "4C" (no fill) code when you run it.



#### Note

If you do not want to use the hot water supply hose, insert the water intake cap onto the hot water supply intake. Then, select Tap Cold for the water temperature.

If you select Tap Cold, all water temperature options are turned off.

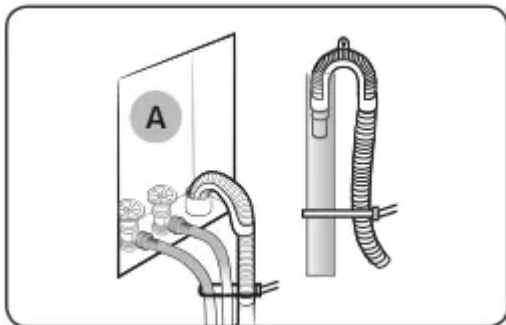


#### CAUTION

Confirm that the water supply hoses are not twisted or bent. If the hoses are twisted or bent, the hoses can leak and cause electric shock due to water leakage.

6. Turn on the hot and cold water supplies and check the water supply intake connections and the faucets for water leaks.

### STEP 3 Connecting the drain hose



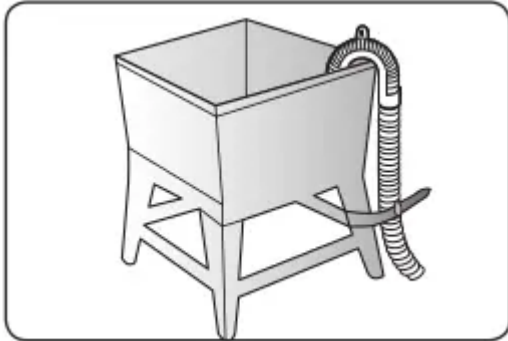
The end of the drain hose can be positioned in three ways:

In a wall standpipe or floor standpipe

The standpipe must be no lower than 39 in (99 cm) and no higher than 96 in (245 cm)

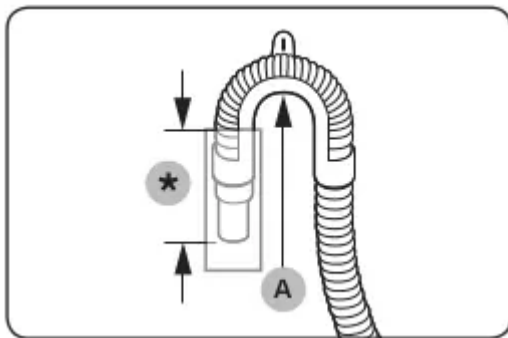
If the drain pipe is built into the wall along side of the water faucets (A), fasten the drain hose to the water hoses using a plastic zip hose tie.

Note: Make sure that the connection between the drain hose and the standpipe is not airtight



### In a laundry tub

The tub must be no lower than 39 in (99 cm) and no higher than 96 in (245 cm). Assemble the supplied Hose guide at the end of the drain hose, attach the hanger to laundry tub as shown, and then fasten the hose to a leg of the laundry tub using a plastic zip hose tie.



### Note

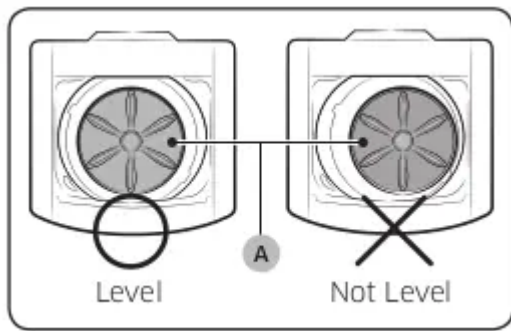
Connect the hose guide (A) within 3-5 in (7.6-12.7 cm)" from the end of the drain hose. If the drain hose is extended beyond the end of the hose guide, mold or microorganisms could spread inside the washer.

### Note

The drain hose can be installed to a maximum height of 96 in (245 cm), but the draining capability can be reduced at this height. It can cause the washer to have an odor because of water remaining in the drain system. note

If the drain hose is installed below 39 in (99 cm), water can be drained in cycles due to a siphon phenomenon. It causes the washer to display a "4c

## STEP 4 Leveling your washer

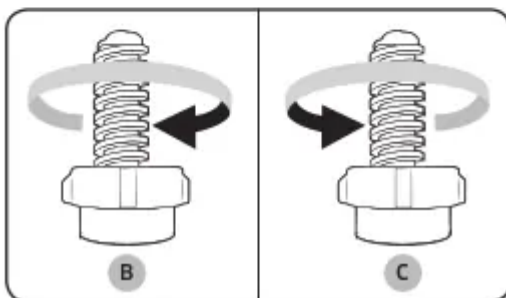
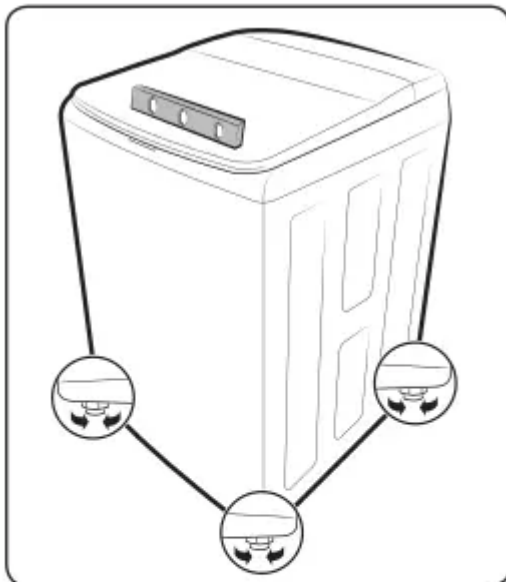


See if the washer is level by checking the Position of the tub:

1. Slide the washer into position.
2. Open the lid of the washer, and pour water into the tub to just below the pulsator level

Note

WAS2M8650A" models have a built-in sink over the pulsator level, Open a built-in sink and check the level visually.

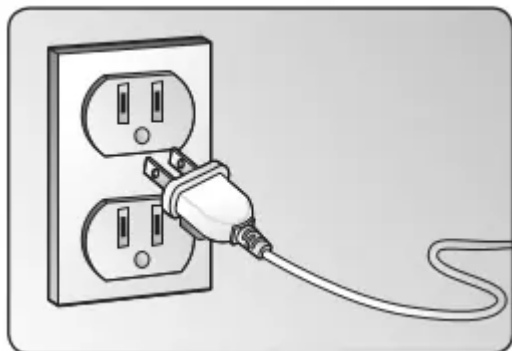


3. If the washer is level, the pulsator (A) will be positioned at the center of the tub as shown in the figure on the previous page. If it isn't, level your washer by turning the front leveling feet clockwise or counterclockwise as necessary.

#### Note

Turn the front leveling feet clockwise (B) to lower the washer, and counterclockwise (C) to raise the washer.

### STEP 5 Powering your washer



Plug the power cord into a 3-prong, well grounded, 120 volt 60 Hz, approved electrical outlet protected by a 15-amp fuse or comparable circuit breaker.

Your washer is grounded through the third prong of the power cord when plugged into a three-prong grounded electrical outlet.

#### Test run

Make sure that you installed your washer correctly by running the RINSE+SPIN after the installation is complete. See Step 6 on the next page.

### STEP 6 Running a test cycle

Run a test cycle as follows to check if your washer is properly installed.

1. Load about 6 pounds of laundry into the tub.
2. Press POWER to turn on your washer.
3. Select RINSE+SPIN by pressing the Cycle Selector.
4. Press START/PAUSE to start the test cycle.
5. The washer should not rock or vibrate excessively when water is supplied or when washing or spinning, and should drain well during the spin cycle.

If water leaks while water is being supplied or drained, check the water connections. Refer to the "STEP 2 Connecting the water supply hoses" section on page 24 for instructions.

If the washer rocks and vibrates excessively, level your washer again. Refer to the "STEP 4 Leveling your washer" section on page 28 for instructions.

### STEP 7 Calibration Mode

Your Samsung washer detects laundry weight automatically. For more accurate weight detection, please run Calibration Mode after installation is complete.

To run Calibration Mode, follow these steps:

1. Remove laundry or any contents from the washer, and then turn it on.
2. Press Temp. and Delay End simultaneously for at least 3 seconds when the power is turned on.
3. Press START/PAUSE to activate Calibration Mode. The pulsator rotates clockwise and counterclockwise for approximately 1 minute.
5. When Calibration Made is finished, "0" appears in the display, and the washer automatically turns off. The washer is now ready for use.

## Operating instructions

### WARNING

To reduce the risk of fire, electric shock, or injury to persons when using your appliance, follow basic precautions, including the following:

#### Loading your washer

- + Fill the tub with dry, unfolded clothes.
- + Space the clothes evenly to enhance washing efficiency and performance and prevent excess wear or wrinkling of the clothes.
- + Wash delicate items such as bras, hosiery, and other lingerie in the Delicates cycle with similar lightweight items.
- + When washing big bulky items or a few smaller items that don't fill the tub completely - rug, a pillow, stuffed toys, or one or two sweaters, for example - add a few towels to improve spin performance.
- + Wash bulky items (comforters, blankets, etc) in the Bedding/Waterproof cycle only. Do not wash bulky items using any other cycle.

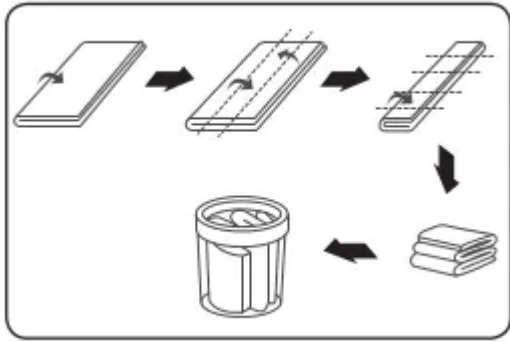
#### Note

During the spin cycle, the washer may add additional water to redistribute the clothes and correct an imbalance inside the drum.

- + When washing heavily soiled loads, do not overload your washer to ensure good cleaning results.

### CAUTION

- + Inflatable items may cause damage to the laundry or the machine during the washing or drying process.
- + Regardless of their size, it is safer and more effective to wash blankets or quilts one item at a time. Two different-sized blankets in the same load may compromise drying performance because the load is unbalanced.



### To insert a blanket

Fold the blanket into the blanket-specific net as shown, and then insert it into the tub below the plastic area of the tub.

#### CAUTION

Make sure the laundry is inserted completely.

+ Laundry that is not completely inserted into the tub may cause damage to the washer or the laundry itself, or cause a water leak.

+ Do not overload the tub. Make sure no laundry is left outside of the tub.

To add a forgotten item:

1. Press START/PAUSE to pause the washer.
2. Wait for the door to unlock automatically, and then open the door.
3. Add the item, close the door, and then press START/PAUSE. The cycle will resume.

### Getting started

1. Load your washer.
2. Add liquid (or powdered) detergent and additives to the dispenser (see the "Detergent Use" section on page 44).
3. Select the appropriate cycle and options for the load (see the "Washing a load of laundry" section page 33).
4. Close the lid.
5. Press START/PAUSE.
6. The Wash indicator illuminates.
7. The estimated cycle time will appear in the display. The time may fluctuate to indicate the time remaining in the cycle.

Note: The actual time required for a cycle may differ from the estimated time in the display depending on the water pressure, water temperature, detergent, and laundry.

8. Before your washer starts to fill, it will make a series of clicking noises to check the door lock and do a quick drain.

Note

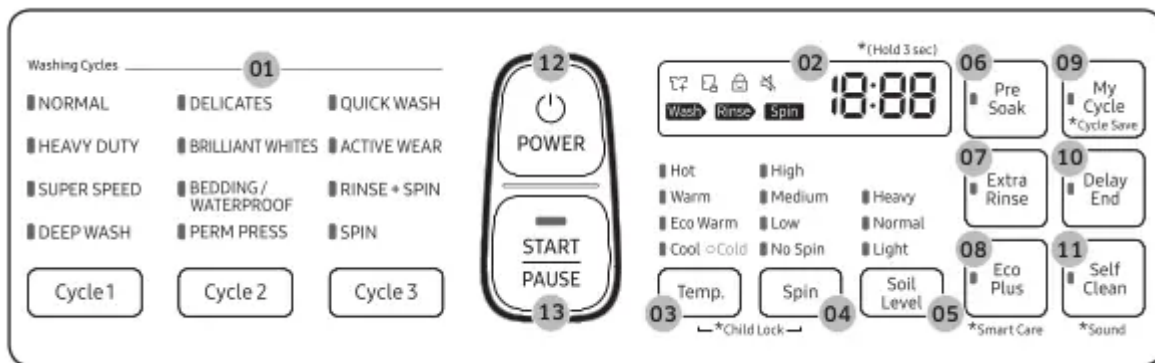
- + When the cycle is complete, the E Door Lock indicator will go out and “0” will appear in the display.
- + Pressing POWER cancels the cycle and stops your washer.
- + The Wash, Rinse, and Spin indicators will illuminate during those portions of the cycle.

## Washing a load of laundry

### WARNING

To reduce the risk of fire, electric shock, or injury to persons, read the IMPORTANT SAFETY INSTRUCTIONS before operating this appliance.

### Control panel



### 01 Cycle Selector

Press to select a desired cycle in the left-most portion of the panel.  
When a cycle is selected, the cycle indicator lights up.

### 02 Display

Provides instructions and diagnostics while keeping you updated on the cycle status and time remaining.

### 03 Temp.

Press this button repeatedly to cycle through the different water temperature options.

- + Hot - Whites and heavily soiled, colorfast items
- + Warm - Colorfast items.
- + Eco Warm - Moderately soiled, colorfast items; most wrinkle-free items.
- + Cool - Brightly colored, very lightly soiled items.
- + Cold - Cold water with no warm water added

### 04 Spin

Press this button repeatedly to cycle through the different spin speed options.

- + High - Use for underwear, t-shirts, jeans, and sturdy cottons.
- + Medium - Use for jeans, wrinkle-free or wash-and-wear items, and synthetics.
- + Low - Use for delicate items needing a slow spin speed.

+ No Spin - Drains your washer without spinning. Use for extremely delicate items that cannot tolerate any spin.

### **05 Soil Level**

Press this button to select the soil level/washing time.

+ Heavy - For heavily soiled loads.

+ Normal - For moderately soiled loads. This setting is best for most loads.

+ Light - For lightly soiled loads.

### **06 Pre Soak**

Adds 18 minutes soaking time at the start of the wash cycle for better stain removal.

### **07 Extra Rinse**

Add an additional rinse at the end of the cycle to more thoroughly remove laundry additives and perfumes.

### **08 Eco Plus**

Press to Increase your energy Savings on your wash CyCles. {Less Not water consumption}

### **09 My cycle**

Press for 3 seconds to save your own cycle. Create and/or use a cycle you have customized with cycle, temperature, spin speed, soil level, and option settings you have selected

### **10 Delay End**

Delay the end of any cycle for up to 24 hours in one-hour increments. Displayed hour indicates the time the wash will be ended.

### **11 Self Clean**

Use to clean dirt and bacteria from the drum. Regular use (after every 20 washes) is recommended.

### **12 POWER**

Press once to turn your washer on. Press again to turn your washer off. If the washer is left on for more than 10 minutes without any buttons being pressed, the power automatically turns off.

### **13 START/PAUSE**

Press to start operation, or press to stop operation.

Note: We recommend that you untangle the items before washing. Do not put objects on the washer, especially on the feature panel.

## **Cycle overview**

NOTE: To minimize wrinkling of laundry, select PERM PRESS.

Cycle		Description
Cycle 1	NORMAL	For most fabrics including cottons, linens, and normally soiled garments.
	HEAVY DUTY	For sturdy, colorfast fabrics, heavily soiled garments.
	SUPER SPEED	For normally soiled loads (up to 8 lb).
	DEEP WASH	To use more water in washing and rinsing.
Cycle 2	DELICATES	For sheer fabrics, bras, lingerie, silks, and other handwash-only fabrics. For best results, use liquid detergent.
	BRILLIANT WHITES	For white fabrics with or without bleach.
	BEDDING / WATERPROOF	For bulky and large items, such as comforters, blankets, and sheets, and waterproof or water resistant items. When washing comforters, use liquid detergent.  <b>⚠ CAUTION</b> ✘ Do not wash waterproof items and non-waterproof items together. ✘ Check the specification label on each item to see if the item is waterproof. ✘ Use the BEDDING / WATERPROOF cycle for waterproof or water-resistant items such as plastic mats, ski pants, raincoats, and comforters which hardly absorb water.
	PERM PRESS	For wash-and-wear, synthetic fabrics, and lightly to normally soiled garments.

Cycle		Description
Cycle 3	QUICK WASH	For lightly soiled garments needed quickly.
	ACTIVE WEAR	Use this cycle to wash exercise wear such as sports jerseys, training pants, shirts/tops and other performance clothing. This cycle provides effective soil removal with gentle action for special fabric care.
	RINSE + SPIN	Use for loads that need rinsing only or to add rinse-added fabric softener to a load.
	SPIN	Drains the water and spins at a high speed.

## Options

### Child Lock

To prevent children or infants from accidentally starting or setting the washer. Child Lock locks all buttons except for the POWER button

Activating the Child Lock function

Press Temp. and Spin simultaneously for approximately 3 seconds.

+ When you activate the Child Lock function, the Q Child Lock indicator blinks.

Using the Child Lock function

If the lid is opened when the Child Lock function is on, "dC" is displayed and an alarm sounds.

+ If the water level in the tub is above the safe water level, "dC" is displayed on the LED display and the washer starts to drain water by force after 30 seconds.

If the water level in the tub is above the safe water level and the Child Lock function is turned on while the lid is open, "CL" is displayed on the LED display even if the washer is turned off and the washer drains water by force.

When Child Lock is on and the washer is off, if the water in the tub is above the Reset water level and the lid is opened. "CL" is displayed on the LED display. No alarm sounds, but the washer drains the water. When the draining operation finishes, the power automatically turns off again.

If you activate the Child Lock function while the washer is running, the START/PAUSE button will not work.

After the compulsory drain, the "CL" blinks at 1 second intervals and the washer enters the "CL" mode. (When the washer is in the "CL" mode, only the POWER button works)

To cancel the "CL" mode, turn the power off and then on again

+ To cancel the "dC" mode, deactivate the Child Lock function. To deactivate the Child Lock function, press Temp. and Spin simultaneously for at least 3 seconds.

Note

Adding laundry when Child Lock is on To add laundry, deactivate the Child

Lock function. To deactivate the Child Lock function, press Temp. and Spin simultaneously for at least 3 seconds. See the "Pause Option" section on page 40 for additional details.

Deactivating the Child Lock function Press both Temp. and Spin simultaneously for approximately 3 seconds.

+ When you deactivate the Child Lock function, the Q Child Lock indicator is turned off.

+The Child Lock function prevents children or the infirm from accidentally operating the washer and injuring themselves.

**WARNING:** If a child enters the washer, the child may become trapped and suffocate.

Caution

+ Once you have activated the Child Lock function, it continues working even if the power is turned off.

+Forcing the lid open can result in injury or damage to the product.

Note: To add laundry after you have activated the Child Lock function, you must first deactivate the Child Lock function.

### **Sound**

The Sound Off function can be selected during all cycles.

### **Garment Plus**

You can add or take out laundry items even after the wash has started, as long as the C2 Garment Plus indicator is on. Pressing START/PAUSE unlocks the lid. If you open the lid and want to continue the wash cycle, close the lid, and then press START/PAUSE.

Note: If you have activated the Child Lock, you must deactivate it first. See page 36.

### **My Cycle**

Lets you save a custom wash cycle (temperature, spin, soil level, etc.) and then recall and use it with one button convenience.

To save a cycle and selected options as your My Cycle, follow these steps:

1. Press POWER.
2. Select a cycle using the Cycle Selector.
3. After cycle selection, set each option.

Note: See the “Cycle chart” section on page 64 for available option settings with each cycle.

4. You can then store the selected cycle and options by pressing and holding My Cycle for longer than 3 seconds. The cycle and options you select will be displayed the next time you choose the My Cycle function.

5. Press My Cycle to load and use the saved My Cycle options. The “My Cycle” LED lights up indicating activation and the chosen cycle and option lights blink.

### **Note**

You can change the My Cycle settings by repeating the process above.

The last saved settings will be displayed the next time you choose the My Cycle function.

If you press My Cycle and release it within 3 seconds, the previously saved cycle and options appear. If you press My Cycle for 3 seconds or longer, the currently set cycle and options are saved and the LED blinks for 3 seconds.

If you press My Cycle and release it within 3 seconds, the previously saved cycle and options appear. If you press My Cycle for 3 seconds or longer, the currently set cycle and options are saved and the LED blinks for 3 seconds.

### **Delay End**

You can set the washer to start your wash automatically at a later time by choosing a delay time. The hour displayed indicates the time at which the wash will be ended.

1. Set your wash cycle.
2. Press Delay End repeatedly until the delay time is set.
3. Press START/PAUSE. The “Delay End” indicator will be lit, and the clock will begin counting down until it reaches the set time.
4. To cancel a Delay End function, press the POWER button and then turn the washer on again

### **Pre Soak**

Use this function when the laundry is heavily contaminated or stained. This function improves the wash performance by adding a Pre Soak cycle.

- + If you select this function, the total cycle time is increased by 18 minutes.
- + When the Pre Soak cycle starts, the washer repeats a wash cycle after supplying water and then performs a 18-minute soak cycle.
- + When the Pre Soak cycle is complete, the configured wash cycle starts without draining water.

### **Eco Plus**

This function sets the temperature somewhat lower than the typical washing cycle and extends the wash time slightly. With laundry time slightly extended, it's possible to keep the same level of washing performance with cooler water. This function reduces energy consumption and maintains the quality of the wash.

### **Mist Shower**

Mist Shower sprays water from a nozzle that is independent of the main water supply system. The water soaks the laundry with additional water from the beginning of the rinse cycle and provides a more effective rinse. (The Mist Shower function may not work if there is too large of a load in the machine.)

### **Smart Care**

If your washer displays an error code, this function lets see the meaning of the code and the countermeasures you can take on a smartphone.

1. To enable the Smart Care function, press Eco Plus for 3 seconds after turning the power on or when an error occurs.

Note: The error code history is deleted after you use this function.

2. The Smart Care indicator is lit on the display.
3. Run the Smart Care app on your smart phone.

+ Android: Galaxy S series, Galaxy Note series. (Other devices may not run the app properly.) Supported OS : Android 2.2 or higher

+ 10S: iPhone series Supported OS : iOS 4.3 or higher

4. Focus your smart phone's camera on the display panel of the washer.

If the smart phone's camera is focused on the display panel of the washer. the panel and error message are automatically recognized and the error type and countermeasures are displayed on the smart phone. . If the smartphone fails to recognize the error code more than twice, enter the error code displayed on the display panel of the washer manually into the Smart Care app.

Note: Downloading the Smart Care app

+ Download the Samsung Laundry App. into your mobile phone from the Android market or Apple App store. (Search word : Samsung Smart Washer/Dryer)

Note: Precautions when using Smart Care

+ If light from a light bulb, fluorescent bulb, or lamp is reflected on the display panel of the washer, the smartphone may not be able to recognize the panel or error message easily.

+ If you hold the smartphone at too large an angle relative to the front of the display panel, it may not be able to recognize the error code. For best results, hold the smartphone so that the front of the panel and the smartphone are parallel or nearly parallel.

### **Washing clothes using the option button**

Your new washer makes washing clothes easy, using Samsung's "Fuzzy Control" automatic control system. When you select a wash program, the machine will set the correct temperature, washing time, and washing speed.

1. Press POWER.

2. Open the lid.

3. Load the articles of clothing one at a time loosely into the drum, without overfilling it.

4. Add liquid (or powdered) detergent, softener, and/or bleach (if necessary) to the appropriate compartments. See the "Detergent use" section on page 44.

5. Close the lid.

6. Use the option button to select the appropriate cycle according to the type of material: NORMAL, HEAVY DUTY, DELICATES, DEEP WASH, SUPER SPEED, BEDDING / WATERPROOF, PERM PRESS, BRILLIANT WHITES, QUICK WASH, ACTIVE WEAR, RINSE+SPIN, and SPIN. The relevant indicators will illuminate on the control panel.

7. At this time, you can control the wash temperature, the number of rinse cycles, the spinning speed, and the delay time by pressing the appropriate option button.

8. Press START/PAUSE and the wash will begin. The process indicator will light up and the remaining time for the cycle will appear in the display.

## **Pause Option**

To remove or add laundry items, follow these steps:

1. Press START/PAUSE to unlock the lid.

Note: The lid cannot be opened when the water is too HOT.

2. Remove or add laundry items.
3. Close the lid, and then press START/PAUSE to restart the wash.

NOTE: If you have Child Lock on, you must deactivate it first. See page 36.

## **When the cycle is finished:**

After the total cycle has finished, the power will turn off automatically.

1. Open the lid.
2. Remove laundry.

## **ATC (Auto Temperature Control)**

The ATC function controls wash water temperature using the washer's built-in temperature sensor (thermistor).

### NOTE

By reacting to changes in external and internal temperatures, the ATC function maintains the correct wash temperature for each cycle, providing the best washing performance while using the least amount of energy.

### Note

New washers must reduce the amount of energy usage as a first priority. When you use the most commonly used wash cycle. Normal (which is the regulation and UL cycle), you will notice more cold water entering the washer as an energy saving step. This is normal.

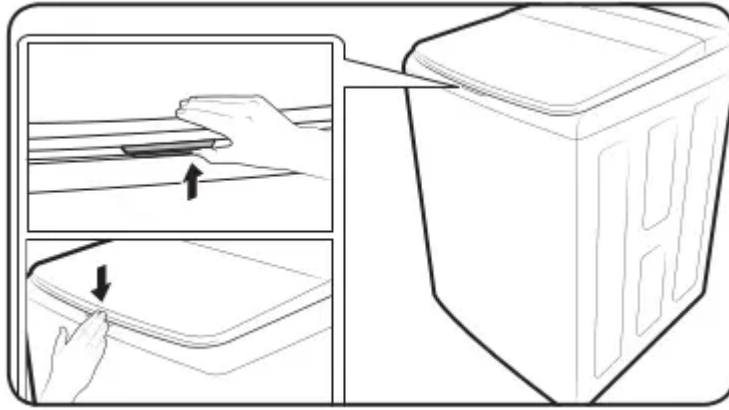
In the Normal cycle, the hot water temperature is similar to acceptable adult bath water temperature and warm water temperature is similar to comfortable swimming-pool water temperature.

### NOTE

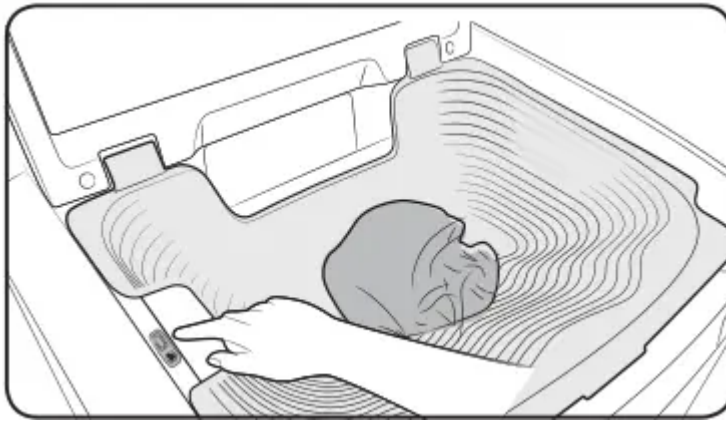
If you want to wash clothes at different water temperatures, you should choose a different cycle, and then choose a specific temperature (Hot/Warm/Eco Warm).

## **The basics**

Prewash (Water Jet & Built-in sink)



Water Jet function and the Built-in sink let you hand-wash items before you place them in the washing machine. The Water Jet function is available only when the lid is open and the water level is set to less than High. To hand-wash, use the Built-in sink that is designed to facilitate hand-washing.



With the lid open, lower the Built-in sink. To open only the lid, press and release the front middle of the lid. To close and lock both the lid and the Built-in sink, press down on the lid until you hear a click.

Put the clothes you want to hand-wash into the sink.

Press Water Jet to supply water to the Built-in sink, and then hand-wash

When done, gently lift up the Built-in sink to drain water into the tub.



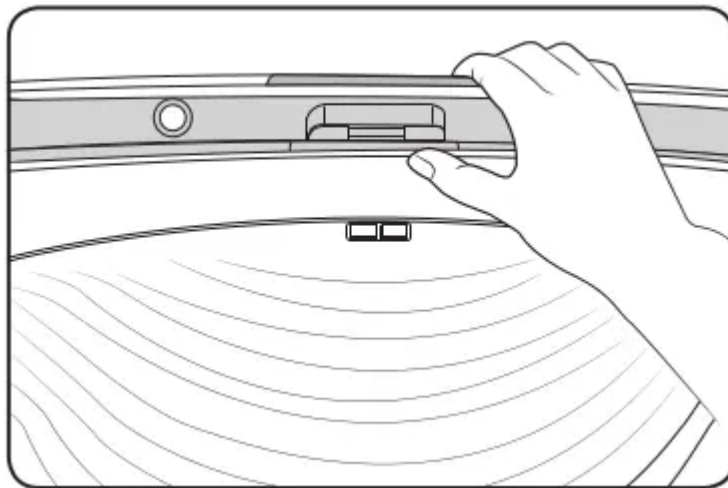
#### NOTE

If you want to hand-wash while the washer is operating, press START/PAUSE to stop Operation, and then follow steps 1-4 above. If you open both the lid and the Built-in sink, lower the Built-in sink manually for hand-washing.

[The Water Jet stops]

The Water Jet function stops operating automatically when the washing machine detects the maximum water level.

The Water Jet function stops operating automatically 5 minutes after it begins. To add more water, press Water Jet again to resupply water.



(Draining water added by the Water Jet function]

+ Select a cycle and press START/PAUSE. The washer drains the water.

+ If the washer is off before it starts the wash cycle, it drains the water added by the Water Jet function. However, if you turn the washer off during a wash cycle to use the Water Jet function, and then turn the washer back on, it does not drain the water.

#### NOTE

The Water Jet function supplies water through the Mist Shower nozzle for 1 second when it is first activated after the washing machine turns on, and then through the Water Jet nozzle.

#### CAUTION

- + Do not over-use the Water Jet function. Excessive use increases water consumption.
- + When pouring water from the Built-in sink into the tub, do it gently. Otherwise, water may overflow and spill out of the tub.
- + Use caution when removing laundry from the tub. You may bump your head on the Built-in sink.
- + Do not block the Water Jet outlet with hands. Water may leak outside the tub, causing a system failure.
- + Put only clothes to prewash in the Built in sink. Do not clean shoes, wash food, or wash pets in the Built-in sink.
- + Do not open the Built-in sink quickly. Water remaining in the sink may splash on the lid or control panel.
- + Due to differences in air pressure, water coming from the Water Jet outlet may splatter when you first activate it.
- + Make sure the lid is closed tightly before you start a load of laundry.

#### Detergent use

Your washer is designed to use high efficiency (HE) detergents.

For the best cleaning results, use a high efficiency detergent such as Tide HE, Wisk HE, Cheer HE or Gain HE™. High efficiency detergents contain suds suppressors that reduce or eliminate suds. When fewer suds are produced, the load tumbles more efficiently and cleaning is maximized. (\* Brand names are trademarks of their respective manufacturers.)

#### WARNING

Regular detergent is not recommended. Use HE detergents only.

NOTE: Reducing the amount of detergent may reduce the quality of cleaning. It is important to pre-treat stains, sort carefully by color and soil level, and avoid overloading.

#### Automatic dispenser

Your washer has separate compartments for dispensing detergent and color-safe bleach and fabric softener. Add all laundry additives to their respective compartments before starting your washer.

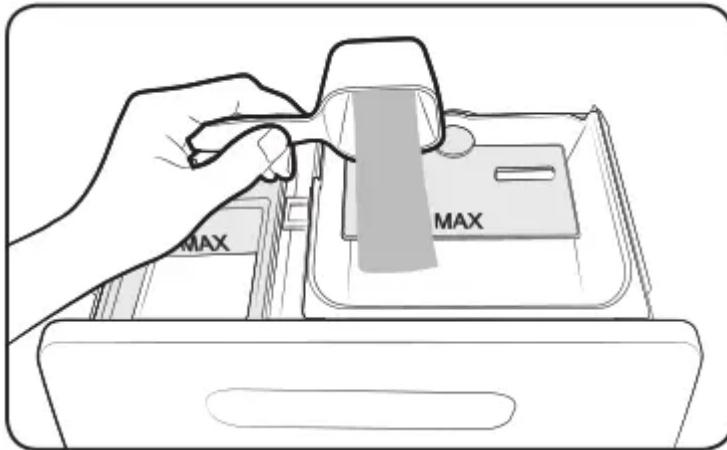
The automatic dispenser must always be in place before you start your washer.

DO NOT open the automatic dispenser when your washer is running.

#### NOTE

- + Never exceed the manufacturer's recommendations when adding detergent.
- + This compartment holds liquid detergent for the main wash cycle, which is added to the load at the beginning of the cycle.
- + When using powdered detergent, remove the liquid detergent compartment from the detergent drawer. The washer will not dispense powdered detergent from the liquid detergent compartment.

To add detergent to the automatic dispenser:



1. Open the dispenser drawer.
2. Load the recommended amount of liquid (or powder) detergent into the detergent compartment before you start your wash.
3. Close the drawer slowly and smoothly to avoid spilling, splashing, or premature dispensing of the contents.

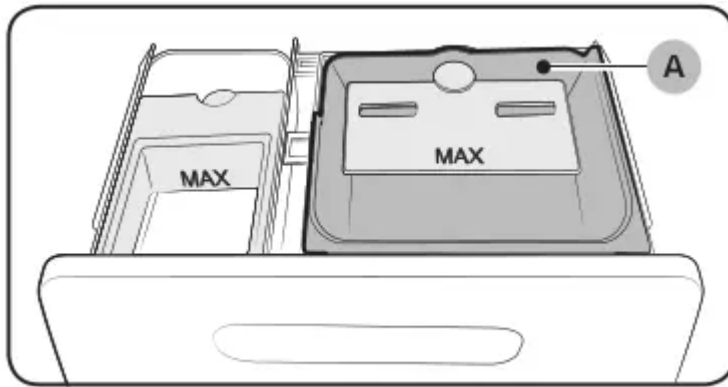
#### Note

It is normal for a small amount of water to remain in the dispenser compartments at the end of the cycle.

#### NOTE

Do not put chlorine bleach in the dispenser drawer.

Loading the Liquid (or Powdered) detergent compartment



1. Pour the recommended amount of laundry detergent directly into the detergent compartment before starting your washer.
2. If you are using color-safe bleach, add it with the detergent to the detergent compartment.

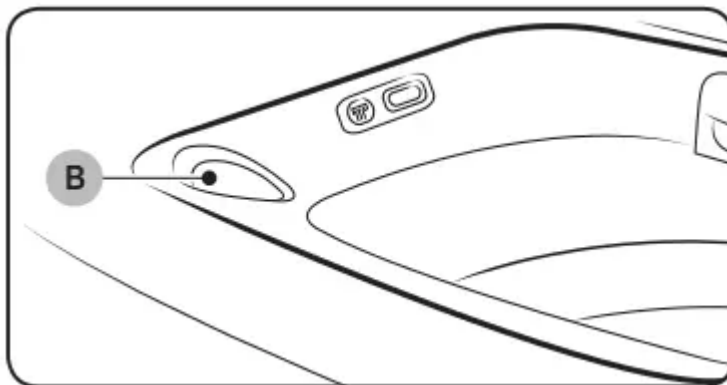
Note

When adding color-safe bleach with detergent, it is best if both laundry products are in the same form - liquid.

Note

When using powdered detergent, remove the liquid detergent compartment (A) from the detergent drawer. The washer will not dispense powdered detergent from the liquid detergent compartment.

Loading the Bleach compartment



**CAUTION**

Use liquid chlorine bleach only.

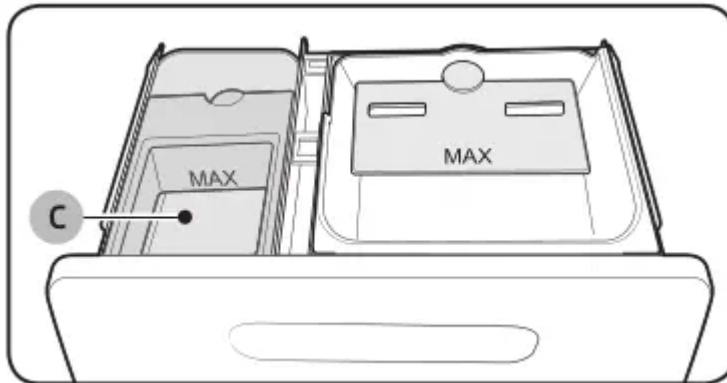
1. Add chlorine bleach to the bleach compartment (B). DO NOT overfill the bleach compartment. ® NOTE

Avoid splashing or over-filling the compartment.

+ Never pour undiluted liquid chlorine bleach directly onto the load or into the tub. It is a powerful chemical and can cause fabric damage, such as weakening of the fibers or color loss, if not used properly.

+ If you prefer to use color-safe, add it to the appropriate detergent compartment. DO NOT pour color-safe bleach into the Bleach compartment.

Loading the fabric softener compartment



1. Pour the recommended amount of liquid fabric softener into the softener compartment (C). For smaller loads, use less than one capful.
2. Dilute the fabric softener with water until it reaches MAX FILL in the compartment.
3. The dispenser automatically releases liquid fabric softener at the proper time during the rinse cycle.

#### NOTE

Use the softener compartment ONLY for liquid fabric softeners.

DO NOT use the Downy Ball™ in the fabric softener compartment with this washer. It will not add fabric softener at the appropriate time. Use the detergent compartment. (\* Brand names are trademarks of their respective manufacturers.)

Do not use liquid fabric softener that is too thick or sticky. It may not mix with the water sufficiently.

## Maintaining your washer

#### WARNING

Certain internal parts are intentionally not grounded and may present a risk electric shock only during servicing. Service personnel - Do not contact the following parts while the appliance is energized: Control board, heat sink, motor, inlet valve, heater and pump.

#### Cleaning the exterior

1. Turn off the water faucets after finishing the day's washing. This will shut off the water supply to your washer and prevent the unlikely possibility of damage from escaping water. Leave the lid open to allow the inside of your washer to dry out.
2. Use a soft cloth to wipe up all detergent, bleach, or other spills as they occur.

3. Clean the control panel with a soft, damp cloth. Do not use abrasive powders or cleaning pads. Do not spray cleaners directly on the panel.

### **Cleaning the interior**

Clean the interior of your washer periodically to remove any dirt, soil, odor, mold, mildew, or bacterial residue that may remain in your washer as a result of washing clothes.

Failure to follow these instructions may result in unpleasant conditions, including odors and/or permanent stains on your washer or laundry. Hard water deposits may be removed, if needed. Use cleaners labeled "Washer safe".

### **Storing your washer**

Washers can be damaged if water is not removed from hoses and internal components before storage. Prepare your washer for storage as follows:

1. Select the Quick Wash cycle and add bleach to the automatic dispenser. Run your washer through the cycle without a load.
2. Turn the water faucets off and disconnect the inlet hoses.
3. Unplug your washer from the electrical outlet and leave your washer lid open to let air circulate inside the drum. If your washer has been stored in below-freezing temperatures, allow time for any leftover water in your washer to thaw out before use.

### **Protecting the top cover and the front frame**

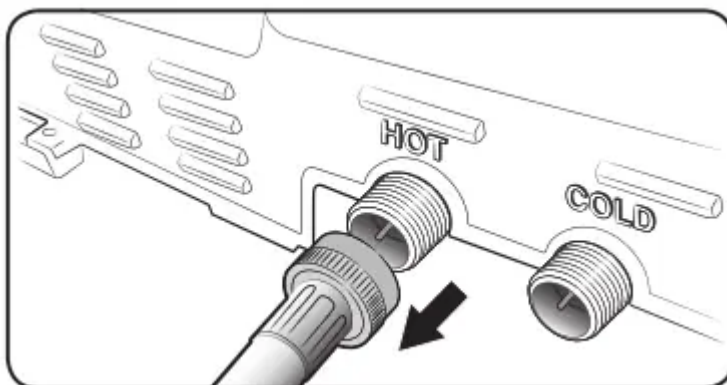
Do not place any heavy or sharp objects or a detergent box on the washer. They can scratch or damage the top cover of the unit.

Note

Since the entire washer has a high-gloss finish, the surface can be scratched or damaged. Avoid scratching or damaging the surface when using the washer.

### **Cleaning mesh filter**

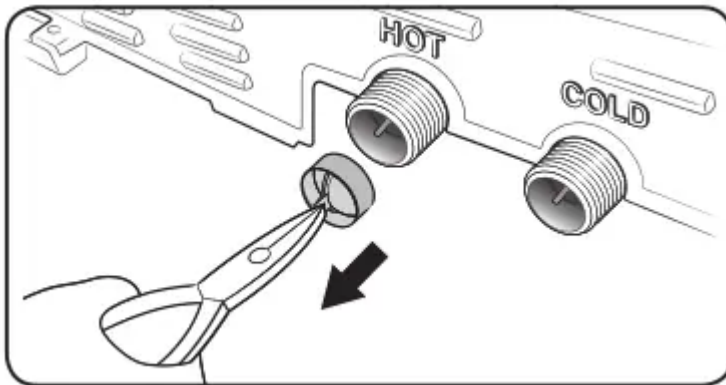
Clean the mesh filters in the water inlets once or twice a year.



1. Turn off the washer, and then unplug the power cord.

2. Close the faucet.

3. Loosen and disconnect the water hoses from the back of the washer. Cover the hoses with a cloth or towel to prevent water from gushing out.



4. Use pliers to pull out the mesh filter from the inlet valve

5. Submerge the mesh filter deeply in water so that the threaded connector is also submerged. Carefully remove any debris from the filter.

6. Dry the mesh filter completely in a shaded area.

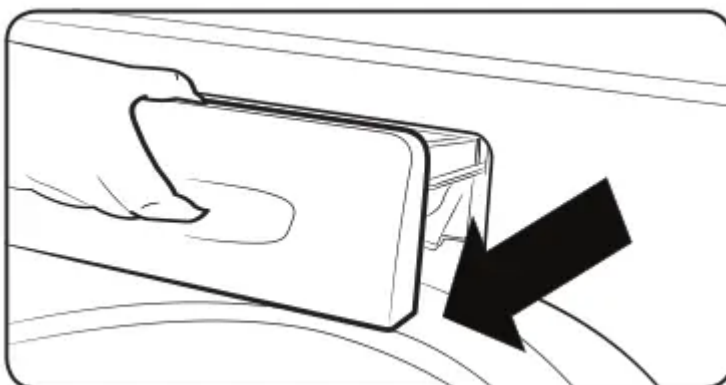
7. Reinsert the mesh filter into the inlet valve. and reconnect the water hose to the inlet valve

8. Open the faucet.

#### NOTE

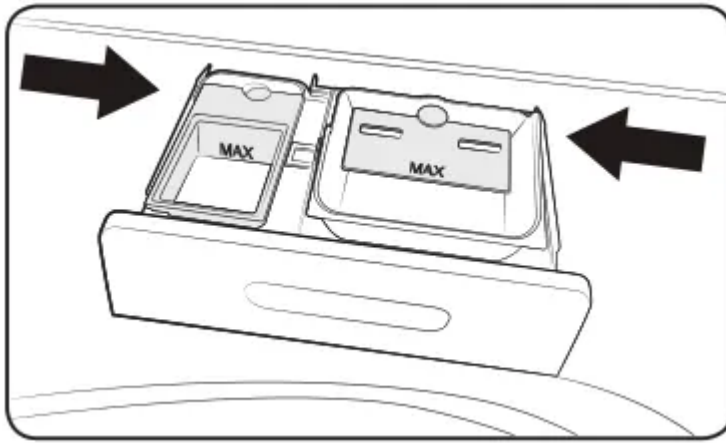
If the mesh filter is clogged, the "4C" information code appears on the the washer's display screen.

### Cleaning the dispensers

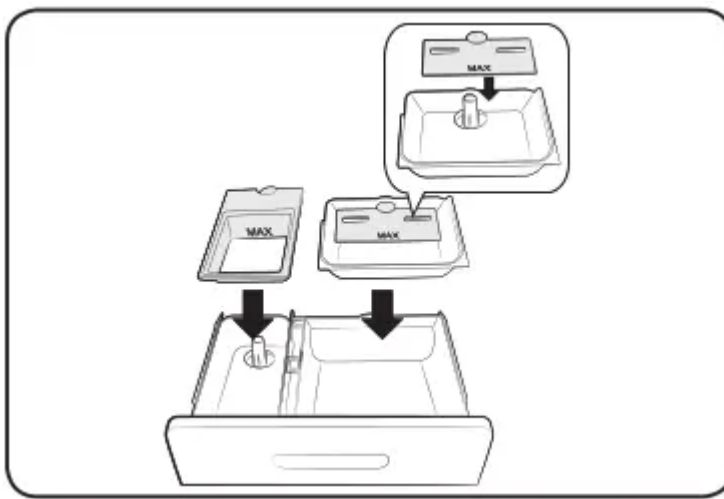


The automatic dispenser may need to be cleaned periodically due to laundry additive buildup.

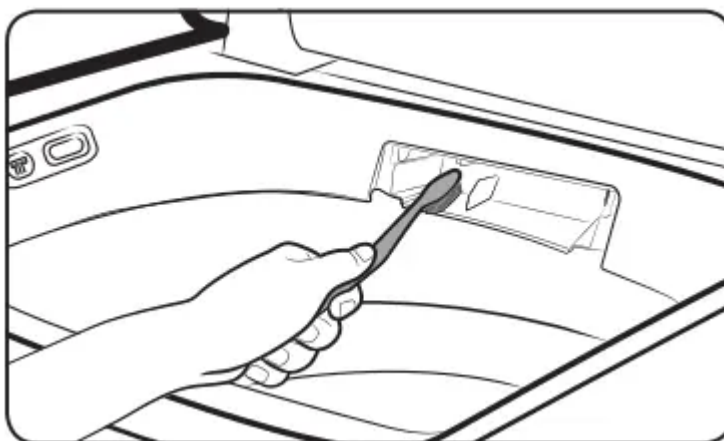
1. Pull the dispenser drawer straight back until it stops.



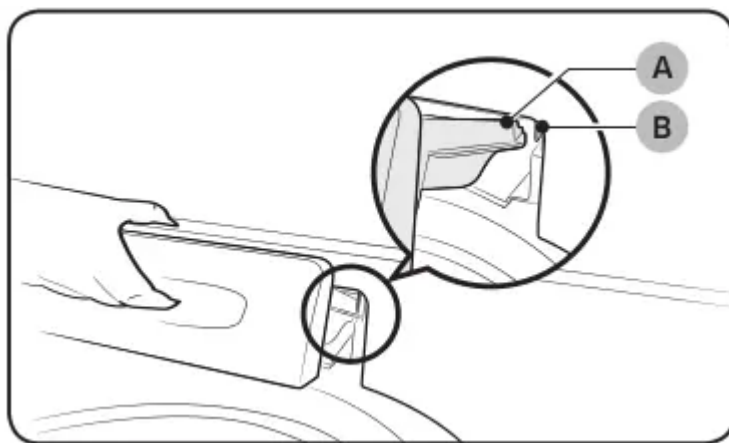
2. Push in both sides of the drawer at the back simultaneously. When you feel the sides move inward, pull out the dispenser drawer.



3. Remove the inserts from the 3 compartments. Rinse the inserts and the drawer with warm water to remove traces of accumulated laundry products.



4. Use a small, non-metal brush (for example, a toothbrush) to clean the drawer opening and the recess. Remove all residue from the upper and lower parts of the recess.



5. Return the inserts to their proper compartments, and then replace the drawer by placing the dispenser drawer rail (B) on top of the compartment rail (A) (To make this easier, tilt the dispenser drawer downward and insert it). Then push the drawer in firmly and slowly.

### Self Clean

Certain usage and environmental conditions may result in some residue build-up or odor in the washer tub. To prevent this build-up of residue or odor causing bacteria and keep your washer tub fresh and clean, perform the Self Clean cycle at least once a month or every 20 cycles. Perform the recommended procedure below when using the Self Clean cycle.

1. Remove all items from the washer tub and ensure the tub is empty. Laundry left in the tub during the Self Clean cycle may be damaged.

2. Press POWER.

3. Select Self Clean. Once Self Clean is selected, the only function that can be set is Delay End.

4. Press START/PAUSE. The Self Clean cycle starts.

#### NOTE

The water temperature for Self Clean is defaulted to Hot. This temperature cannot be changed.

In the case where residue is present in the washer tub, add 1 cup (8 fl.oz, 240 ml) of liquid chlorine bleach to the bleach compartment before you start the Self Clean cycle. Do not use or mix any other detergent or chemicals during the Self Clean cycle.

If necessary, run a RINSE+SPIN Cycle after the Self Clean cycle has completed to help remove any remaining residue.

#### CAUTION

Check the washer tub before using the Self Clean cycle. Remove any remaining water in the tub by running a SPIN cycle prior to starting the Self Clean cycle.

If there is chlorine bleach left in the washer tub for an extended period of time, rust can occur.

### **Self Clean reminder**

After 20 washing cycles, the Self Clean LED reminder icon and the Self Clean cycle LED will blink on the control panel for an hour and then turn off automatically.

The reminder will appear on the control panel for 5 additional consecutive cycles before turning off. The next reminder will not appear until another 20 cycles have been completed.

## **Troubleshooting**

### **Checkpoints**

If you encounter a problem with the washer, first check the table below and try the suggestions.

Does not turn on.

- Make sure your home electrical system is providing electrical power that matches the requirements of the washer. See page 19.
- Make sure the power cord is completely plugged in.
- Check the fuse or reset the circuit breaker.

Does not start.

- Make sure the door is closed.
- Make sure the water taps are open
- Make sure to press or tap START/PAUSE to start the washing machine
- Make sure Child Lock is not activated
- Before the washing machine starts to fill, it will make a series of clicking noises to check the door lock, and then does a quick drain
- Was the door opened during the spinning cycle? Close the door. and then press or tap START/PAUSE to resume.
- The machine enters Standby or is in a soaking cycle. Please wait.
- Check the fuse or reset the circuit breaker

Water is not supplied.

- Make sure you press or tap START/PAUSE after selecting the cycle and options.
- Make sure the water taps are open.
- Are the mesh filters in the water inlets clogged? Clean the mesh filters by brushing with a toothbrush. See page 50.

- Is the water supply cut off? If the water supply is cut off, close the tap and power off.
- Straighten the water supply hoses.
- Open and close the door, and then press or tap START/PAUSE.
- If the water pressure is low, it takes longer to start washing.
- If the water level is not as high as necessary or lower than expected, use the level selector to adjust the water level.

After a cycle, detergent remains in the automatic dispenser.

- Make sure the washing machine is running with sufficient water pressure.
- Make sure the detergent drawer is properly inserted.
- Remove and clean the detergent drawer, and then try again.

Vibrates excessively or makes noise.

- Make sure the washing machine is on a level floor. If the floor is not level, use the levelling feet to adjust the washing machine.
- Make sure the washing machine is not contacting any other object.
- Make sure the laundry load is balanced.
- Make sure the laundry is spread evenly in the washing machine.
- Spread out the laundry evenly and start again.
- Make sure the space around the washing machine is free of objects.
- Humming is produced normally during operation.
- Objects such as coins can cause noise. Remove these objects from the washing machine after washing is complete.

Stops.

- Plug the power cord into a live electrical outlet.
- Check the fuse or reset the circuit breaker.
- Close the door, and then press or tap START/PAUSE to start the washing machine. For your safety, the washing machine will not spin unless the door is closed
- Before the washing machine starts to fill, it will make a series of clicking noises to check the door lock, and then does a quick drain
- There may be a pause or soak period in the cycle. Wait briefly and the washing machine may start.
- Make sure the inlet hose filters at the taps are not clogged. Periodically clean the filters. See page 50.

- This problem can occur temporarily due to low voltage in your household electrical system. It will be resolved when the voltage returns to normal

Fills with the wrong temperature water.

- Fully open both water taps.
- Make sure the temperature selection is correct.
- Make sure the hoses are connected to the correct water taps. Flush water lines.
- Disconnect the hoses and clean the mesh filters. The water inlet mesh filters may be clogged. See page 50.
- While the washing machine fills, the water temperature may change as the automatic temperature control feature checks incoming water temperature. This is normal.
- While the washing machine fills, you may notice just hot and/or just cold water going through the dispenser when cold or warm temperatures are selected. This is a normal function of the automatic temperature control feature as the washing machine determines the water temperature.

Door (Lid) locked or will not open.

- + While the washing machine is operating, press or tap START/PAUSE to stop the washing machine.
- + It may take a few moments for the door lock mechanism to disengage.

Does not drain and/or spin.

- Check the fuse or reset the circuit breaker.
- Make sure the electrical voltage is normal
- Make sure the washing machine is plugged in
- Make sure the drain hose is pointed downward. (Natural drain models only)
- Make sure the drain hose is not clogged.
- Make sure the drain hose is not kinked.
- Straighten the drain hose. If there is a drain restriction, call for service.
- Close the door, and then press or tap START/PAUSE. For your safety, the washing machine will not spin unless the door is closed

Load is wet at the end of the cycle.

- Use the High or Extra High spin speed cycle. (Applicable model only)
- Use high efficiency (HE) detergent to reduce oversudsing
- The load is too small. Small loads (one or two items) may become unbalanced and not spin completely.

Leaks water.

- Make sure all hose connections are tight.
- Make sure the water supply hoses' rubber washers are in the correct position. Screw tightly again.
- Make sure the end of the drain hose is correctly inserted and secured to the drain system.
- Avoid overloading.
- Use high efficiency (HE) detergent to prevent oversudsing.
- Make sure the water supply hose is not kinked.
- If the water supply pressure is too strong, water may leak. Close the water tap a little.
- Make sure water is not leaking from the water tap. If it is, repair the water tap.

Excessive suds.

- Use high efficiency (HE) detergent to prevent oversudsing
- Reduce the detergent amount for soft water, small loads, or lightly soiled loads.
- Non-HE detergent is not recommended

The spin basket or drain/supply hose is frozen.

- Use warm water to disconnect the water supply hose and drain hose. Soak them in warm water.
- Fill the spin basket with warm water, and then wait for about 10 minutes.
- Put a hot towel on the drain hose connector.
- Reconnect the water supply hose and drain hose, and then check if water is supplied properly.

Water drains out immediately.

- Make sure the drain hose is not clogged, and is hung over the drain hose hook. Fill the spin basket halfway with water, and try spinning again
- Lift the end of the drain hose to prevent water from draining. Fill the spin basket halfway with water, and then run the Spin cycle after releasing the drain hose.
- Make sure the drain hose is installed correctly. See the installation section of this user manual and adjust the position of the drain hose as instructed

Stains on clothes.

- Select an appropriate cycle for the laundry. Use the Heavy Duty cycle for stained clothes.

- Apply a recommended amount of detergent as instructed by the detergent manufacturer.
- Clean the magic filter (if it comes with your washer) on a regular basis.

Has odors.

- + Excessive suds collect in recesses and can cause foul odors.
- + Run a Self Clean cycle to sanitize periodically.
- + Dry the washing machine interior after a cycle has finished

## Information codes error

The washer may display information codes to help you understand what is occurring with your washer better.

### 1C

The Water Level sensor is not working properly.

+ Turn off the washer, unplug it, wait 30 seconds, and then plug the washer in again. If the information code remains, contact a Samsung customer service center.

#### NOTE

If the washer displays “1C”, the washer will automatically drain for 3 minutes. During this time, the POWER button is inoperative.

### 3C

Check the motor for operation.

- + Try restarting the cycle.
- + If the problem continues, call for service.

### 4C

Water is not supplied.

- + Make sure the water taps are open.
- + Make sure the water hoses are not clogged.
- + Make sure the water taps are not frozen.
- + Make sure the washing machine is operating with sufficient water pressure.
- + Make sure that the cold water tap and the hot water tap are properly connected. Clean the mesh filter as it may be clogged.

#### Note

If the washer displays “4C”, the washer will automatically drain for 3 minutes. During this time, the POWER button is inoperative.

## **4C2**

Make sure the cold water supply hose is firmly connected to the cold water tap. If it is connected to the hot water tap, laundry may be damaged when some cycles are run.

## **5C**

Water is not draining.

Make sure the drain hose is not frozen or clogged.

Make sure the drain hose is positioned correctly, depending on the connection type.

Clean the mesh debris filter as it may be clogged.

Make sure the drain hose is straight all the way to the drain system.

Turn off the washer, unplug it, wait one minute, and then plug the washer in again. If the information code remains, contact a Samsung customer service center.

## **9C1**

The electronic control needs to be checked (Over Voltage Error).

+ Check if power is supplied properly.

+ Turn off the washer, unplug it, wait one minute, and then plug the washer in again. If the information code remains, contact a Samsung customer service center.

## **9C2**

Low voltage detected.

+ Check if the power cord is plugged in.

+ Turn off the washer, unplug it, wait one minute, and then plug the washer in again. If the information code remains, contact

9 Samsung customer service center

## **AC6**

Inverter Communication problem.

+ Turn off the washer, unplug it, wait one minute, and then plug the washer in again. If the information code remains, contact a Samsung customer service center.

## **dC**

Operating the washer with the door open.

+ Make sure the door is properly closed.

+ Make sure laundry is not caught in the door.

## **HC**

High temperature heating check.

+Turn off the washer, unplug it, wait one minute, and then plug the washer in again. If the information code remains, contact a Samsung customer service center.

## **LC**

Check the drain hose.

+ Make sure the end of the drain hose is positioned correctly.

+ Make sure the drain hose is not clogged.

+ Turn off the washer, unplug it, wait one minute, and then plug the washer in again. If the information code remains, contact a Samsung customer service center.

### **NOTE**

When the washer displays "LC", the washer do draining for 3 minutes. During this time. the POWER button is inoperative.

## **OC**

Water overtiowed.

+ Restart after spinning.

+ Turn off the washer, unplug it, wait one minute, and then plug the washer in again. If the information code remains, contact a Samsung customer service center.

## **PC**

When position of the clutch can't be detected.

+ Turn off the washer, unplug it, wait one minute, and then plug the washer in again. If the information code remains, contact a Samsunad customer service center.

## **PC1**

After position of the clutch is detected, If the signal from the hall clutch hall is incorrect.

+ Turn off the washer, unplug it, wait one minute, and then plug the washer in again. If the information code remains, contact a Samsung customer service center.

## **Ub**

Spinning does not work.

Make sure laundry is spread out evenly.

Make sure the washing machine is on a flat, stable surface.

Redistribute the load. If only one item of clothing needs washing, such as a bathrobe or pair of jeans, the final spin result might be unsatisfactory, and an "Ub" check message will appear in the display.

## **Ur**

Display for additional rinsing.

- + Show additional rinsing in sensing unbalance.
- + Method of releasing the display. Any key input.

### **Warning**

This content is compiled from multiple sources and is provided for reference purposes only. It may not be complete or fully applicable to all situations. If you are unable to resolve your issue, please contact the product manufacturer or an authorized service provider for official support.

---

Document generated by [ManualsFile](#)