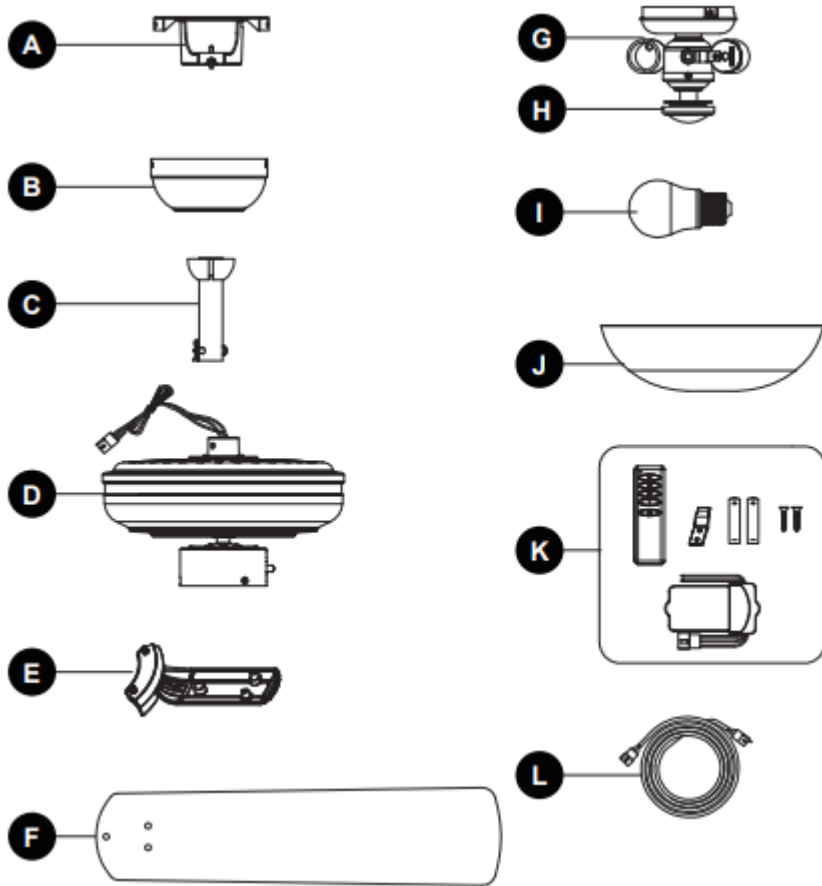


PACKAGE CONTENTS

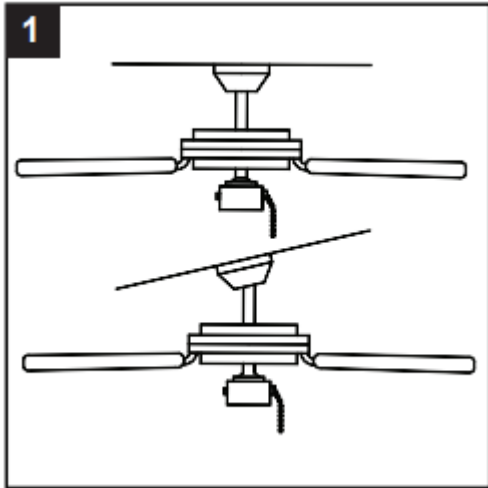


PART	DESCRIPTION	QUANTITY
A	Mounting Bracket (preassembled to canopy (B))	1
B	Canopy	1
C	Downrod Assembly	1
D	Fan Motor Assembly	1
E	Blade Arm	5
F	Blade	5
G	Light Fitter Assembly	1
H	Bowl Cap	1
I	Bulb	2
J	Glass	1
K	Remote Pack	1
L	Lead Wire	1

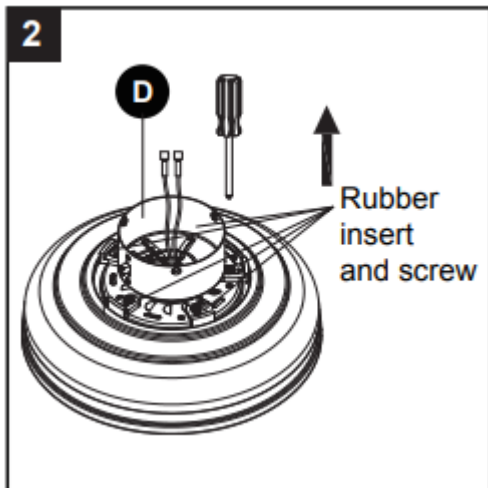
ASSEMBLY INSTRUCTIONS

1. Determine mounting method to use. Downrod Mount (standard or angled ceiling)

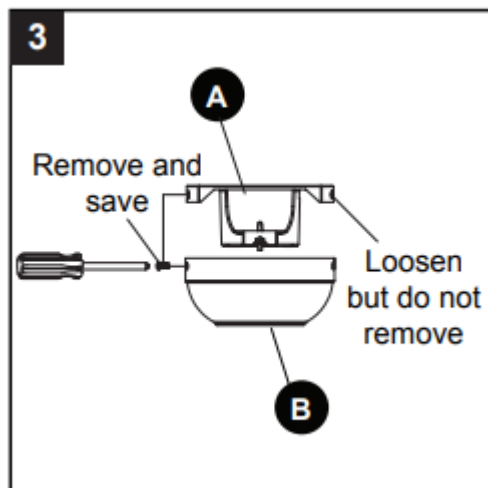
IMPORTANT: If using the angle mount, check to make sure the ceiling angle is not steeper than 20°.



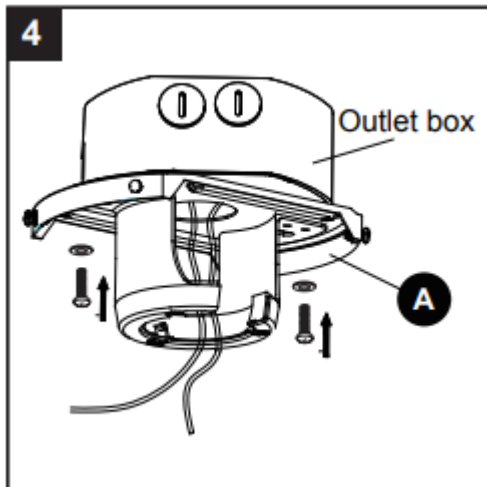
2. Remove and discard the five rubber inserts and five mounting screws from the underside of the motor housing (D)



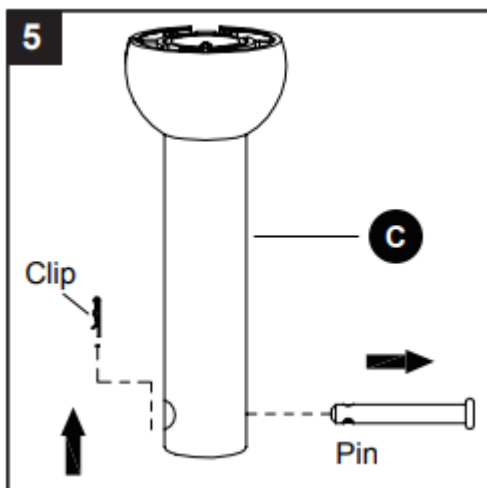
3. Remove the mounting bracket (A) from the canopy (B) by loosening the four screws on the top of the canopy (B). Remove the two non-slotted screws and save.



4. Install the mounting bracket (A) to the outlet box (not included) using the two screws provided with the outlet box. Securely tighten the two screws.

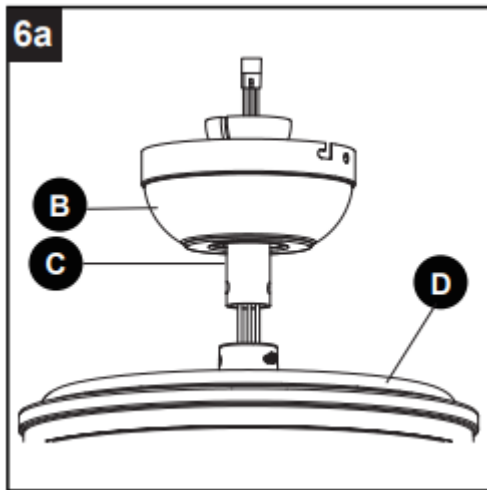


5. Remove pin and clip from downrod assembly (C) and save.



6a. STANDARD DOWNROD INSTALLATION Insert downrod assembly (C) through canopy (B). Thread wires from the motor assembly (D) through downrod assembly (C).

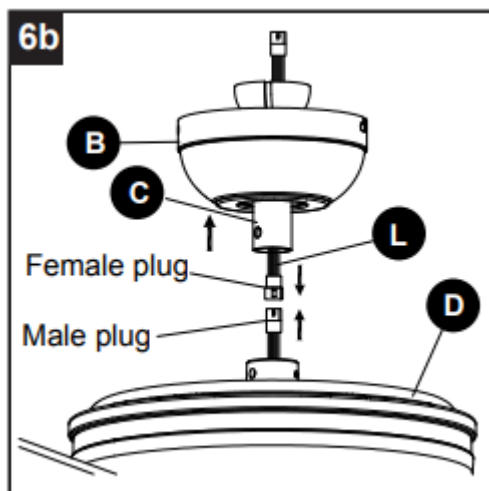




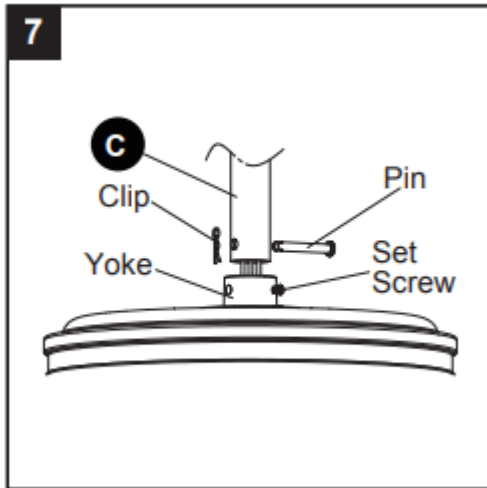
6b. EXTENDED DOWNROD INSTALLATION: If you are installing the fan with a longer downrod (sold separately), insert it through the canopy (B). Then, thread lead wire (L) through the downrod and connect the MALE plug from the top of the motor assembly (D) to the FEMALE plug from the lead wire (L).

NOTE: The male plug of the lead wire (L) should extend out the other end of the downrod.

NOTE: The remainder of the instructions will reference downrod assembly (C), but note all of the instructions are applicable even if an accessory downrod was used.

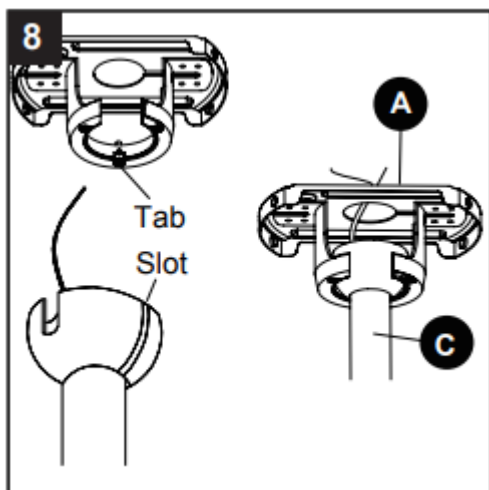


7. Loosen the two set screws from the yoke of the motor assembly (D). Slip downrod assembly (C) into yoke, aligning holes in downrod assembly (C) and yoke. Insert the pin through yoke and downrod assembly (C), then insert clip into pin until it snaps into place. Tighten set screws.



8. Install hanger ball on the top of downrod assembly (C) into mounting bracket (A) opening. Rotate fan until slot on hanger ball engages the tab on the mounting bracket (A).

DANGER: Be careful when aligning the tab to the slot! If not fully engaged, there is a possibility of fan falling, which may result in serious injury or death

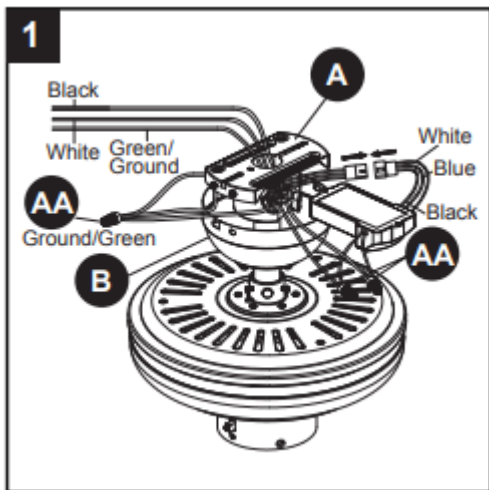


WIRING

1. Insert receiver from the remote pack (K) into mounting bracket (A) with the flat side toward the ceiling. Connect the GREEN/GROUND wire from the fan to the BARE/GREEN supply wire. Connect the BLACK wire (AC IN L) from the receiver to the supply BLACK wire. Connect the WHITE wire (AC IN N) from receiver to the supply WHITE wire. Connect FEMALE plug from the receiver to the MALE plug from the top of motor assembly (D) or the MALE plug of lead wire (L) if previously installed.

NOTE: BLACK wire is hot power for fan. BLUE wire is hot power for light kit. WHITE wire is common for fan and light kit. GREEN wire is ground wire.

If house wires are different colors than referred to above, stop immediately. Consult a licensed electrician to determine proper wiring.

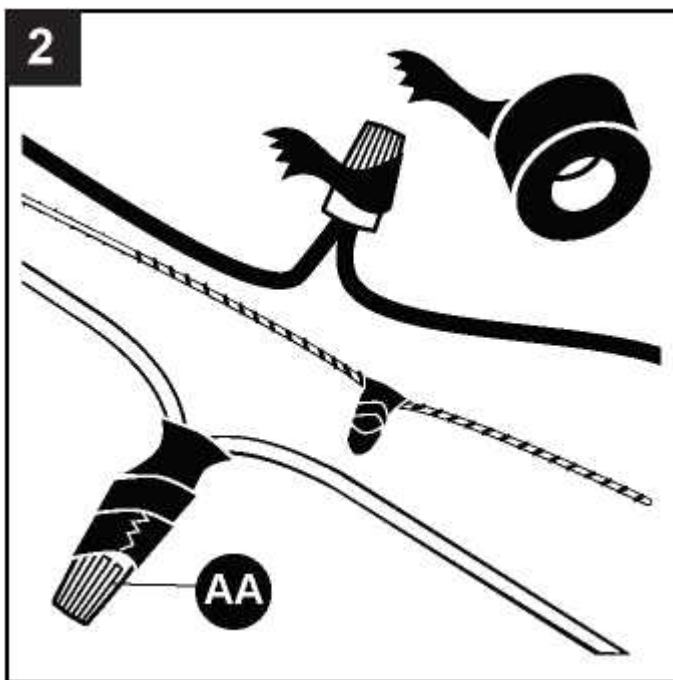


2. Twist wire ends together and screw wire connectors (AA) on in a clockwise direction. Tape wire connectors (AA) and wires together with electrical tape (not included).

Hardware Used

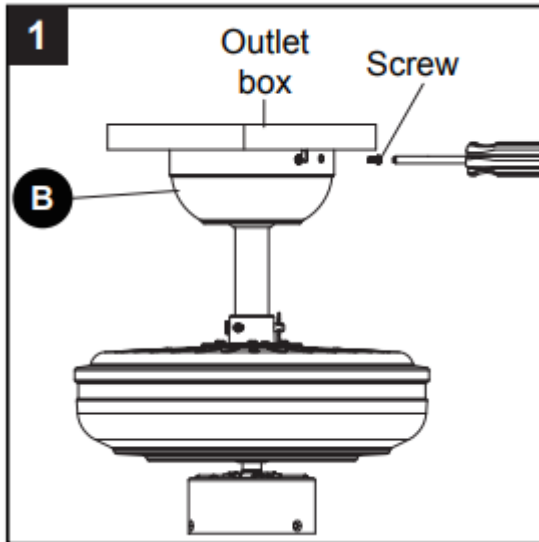
AA Wire Connector  x 3

WARNING: Be sure no bare wire or wire strands are visible after making connection. Place GREEN and WHITE connections on opposite side of box from the BLACK and BLUE (if applicable) connections. The splices should be turned upward and pushed carefully up into the outlet box.



FINAL INSTALLATION

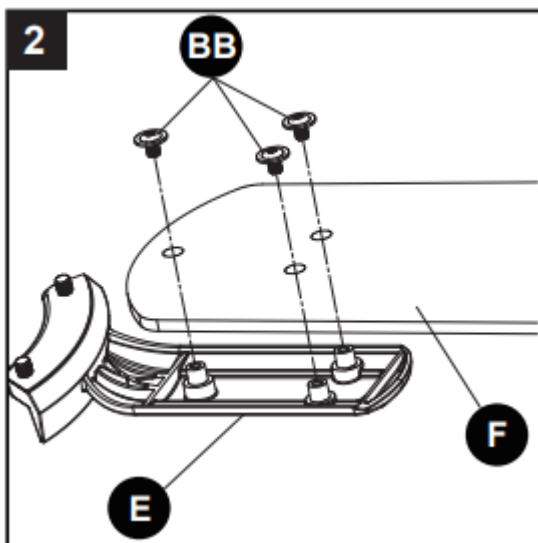
1. Directly align the locking slots of the canopy (B) with the two screws previously loosened (step 3, page 6) in the mounting bracket (A). Push up to engage the slots and turn clockwise to lock in place. Immediately tighten the two screws that were previously removed (step 3, page 6) to fully secure the canopy (B) to the mounting bracket (A).



2. Attach blade (F) to a blade bracket (E) using three blade screws (BB). Repeat for remaining blade assemblies.

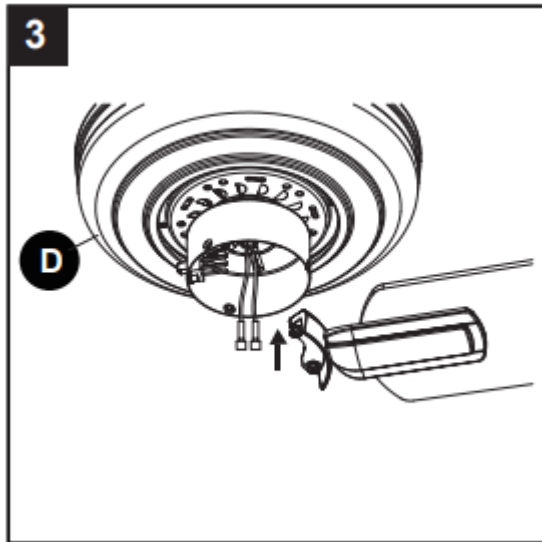
Hardware Used

BB Blade Screw  x 15



3. Align the holes of the blade bracket (E) and motor assembly (D). Install the blade assembly to the motor assembly (D) using the preinstalled blade bracket screws. Tighten each blade bracket securely.

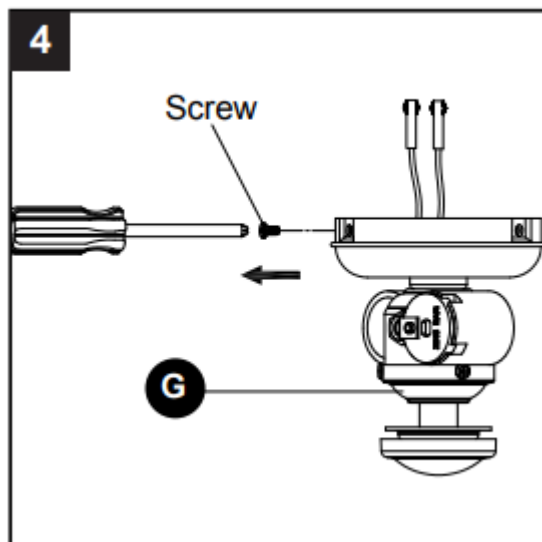
Repeat this step for the remaining blade assemblies



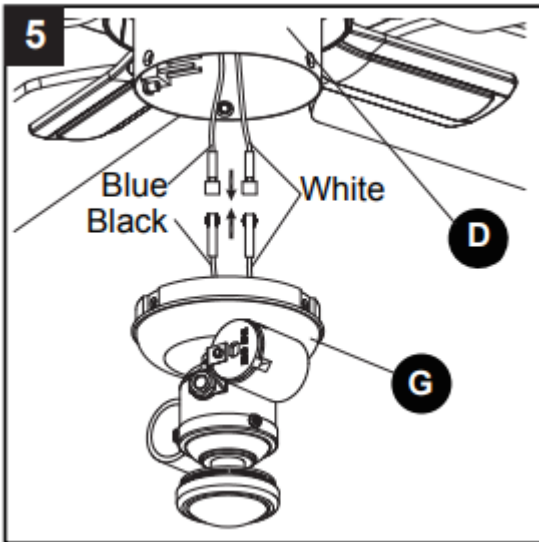
To install the fan **WITHOUT** the light kit (G), proceed to page 12 step 10.

To install the fan WITH the light kit (G),

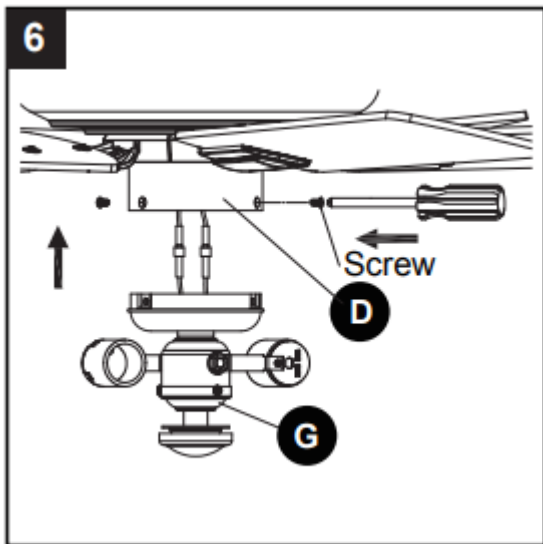
4. Remove and save the three preassembled screws from the switch cover on the light kit (G).



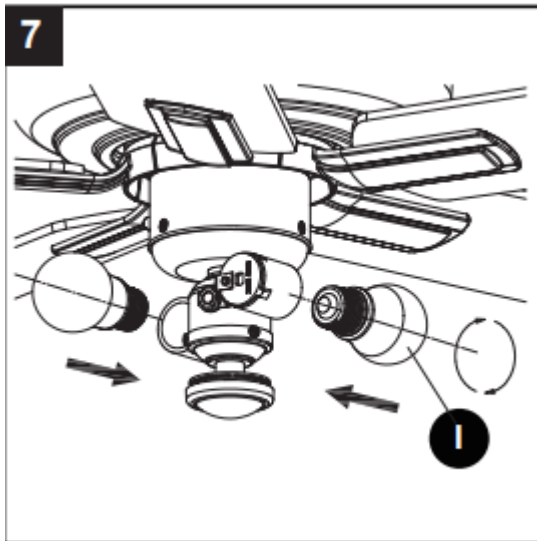
5. Connect the adapter plug of the **BLUE** wire from the fan motor assembly (D) to the adapter plug of the **BLACK** wire from the light kit (G) and connect the adapter plug of the **WHITE** wire from the fan motor assembly (D) to the adapter plug of the **WHITE** wire from the light kit (G).



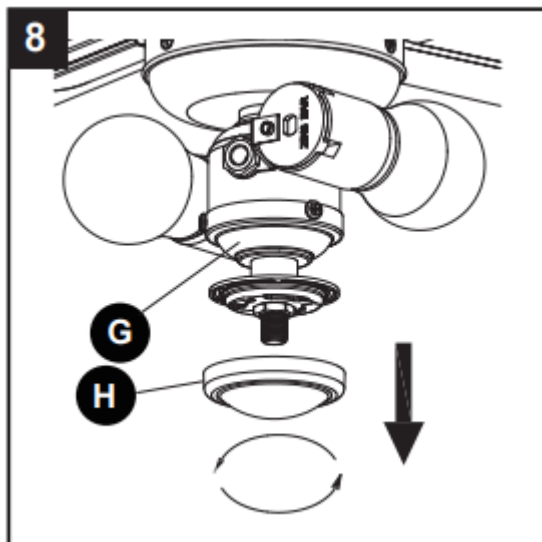
6. Attach light kit (G) to the bottom of the motor assembly (D) by aligning the holes in each part and re-installing the previously removed screws (Step 4, page 10). Tighten securely.



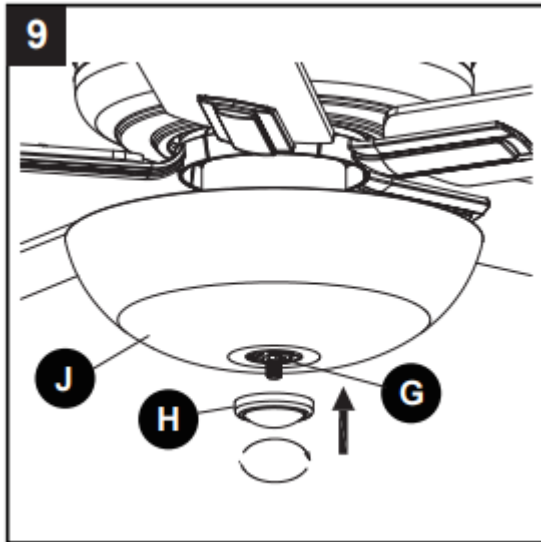
7. Install bulbs (I) into sockets in light kit (G).



8. Remove the preassembled bowl cap (H) from the light kit (G)

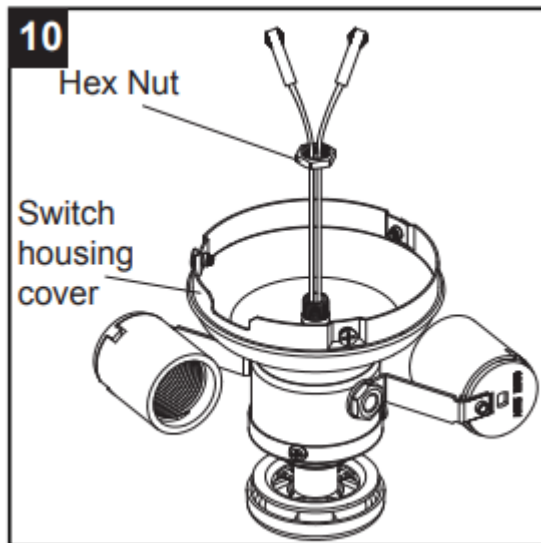


9. Place glass (J) on the preassembled pipe on light kit (G) until it is flush with the preassembled metal disk. Secure with previously removed bowl cap (H). Tighten securely.

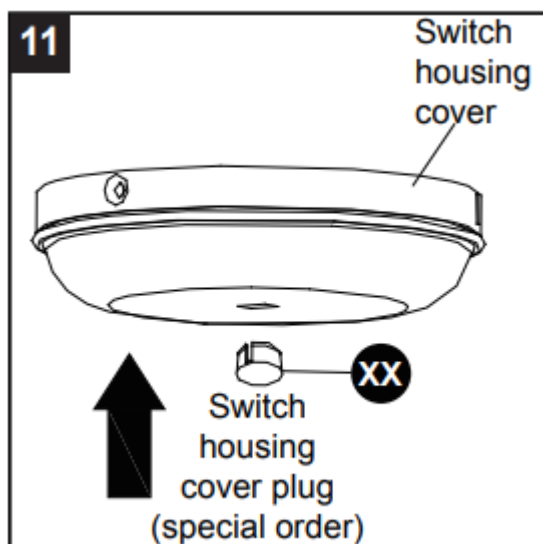


To install the fan **WITHOUT** the light kit (G), you must special order a plug (XX) for the switch housing cover of the light fitter assembly from our customer service department at 1-866-473-4537, 8 a.m. - 6 p.m., EST, Monday - Thursday, 8 a.m. - 5 p.m., EST, Friday

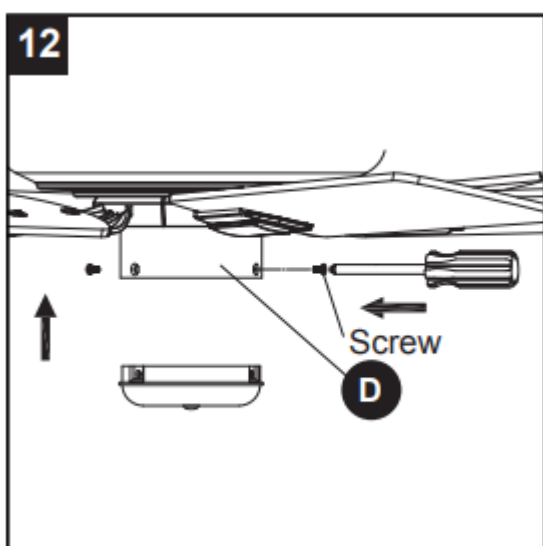
10. Remove the hex nut preassembled inside the switch housing cover of the light fitter assembly (G) and detach the switch housing cover.



11. Press the plug (XX) into the center hole of the switch housing cover.



12. Remove and save the three preassembled screws from the switch housing cover. Align the holes in the switch housing cover and the motor assembly, re-installing the previously removed screws to attach the two parts. Tighten securely



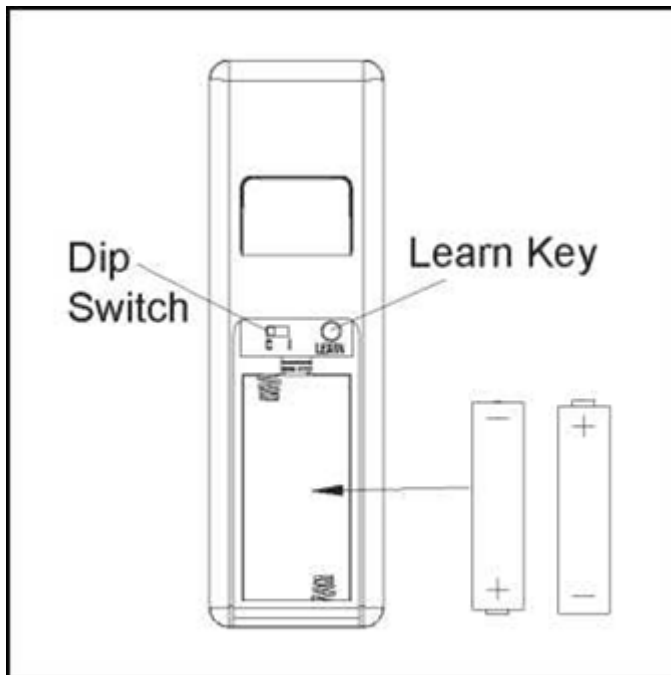
OPERATING INSTRUCTIONS

NOTE: The remote control has already been paired to the fan for your convenience. If you have two of the same model fans in your home, please follow the steps below to control each fan independently.

1. Install Battery/Learning Process:

Remove the battery cover from the back of the remote found in the remote pack (K). Insert the batteries from the remote pack (K) into the remote; ensure polarity of batteries matches the polarity indicated in the battery compartment — positive (+) to positive (+) and negative (-) to negative (-). Replace the battery cover.

Slide the dip switch in the battery compartment to the “1” setting within 30 seconds of turning the fan’s power on, press and hold the “Learn” button on the remote control for 1 second. Once pairing is successful, the fan’s blades will begin to spin.




2. Fan Control/Dimmer:

1- Low speed

2- Medium speed

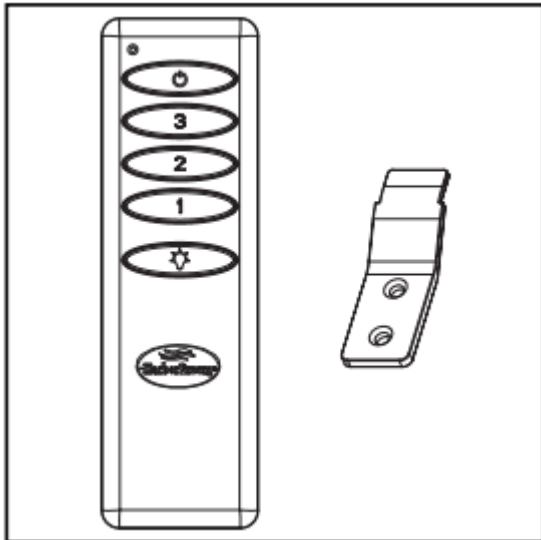
3- High speed

 Turns fan off

 Turns light on or off

NOTE: For the dimmer function, press and hold the light button. Light will dim. Release the light button when light is at desired level.

NOTE: This remote control has a memory function. The receiver stores the fan speed and light setting when the fan is turned off. When the fan is turned on again, it will start with the most recent settings.

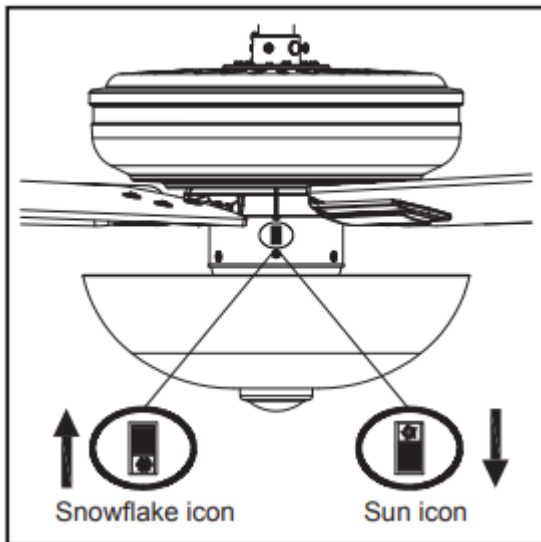


1. REVERSE SWITCH:

When the season changes, you may want to change the direction the fan blades spin. To switch between clockwise and counterclockwise rotation, flip the fan reversal switch.

WARNING: Wait for fan to stop before reversing switch.

- In cooler weather, clockwise rotation creates an upward airflow, which moves hot air from the ceiling into the room. Push the switch UP
- In warmer weather, counterclockwise rotation creates a downward airflow, which cools the air. Push the switch DOWN.



CARE AND MAINTENANCE

- Important: Shut off main power supply before beginning any maintenance.

- Do not use water or detergents when cleaning the fan or fan blades. A dry dust cloth or lightly dampened cloth will be suitable for most cleaning.
- Clean fan housing with only a soft brush or lint-free cloth to avoid scratching the finish. Clean blades with a lint-free cloth. You may occasionally apply a light coat of furniture polish to blades for added protection.
- At least twice a year, tighten all screws and lower canopy to check mounting bracket screws and downrod assembly.
- Bulb replacement: Use 6.5-watt max. medium base E26-type A15 shape LED bulbs or incandescent bulbs up to 60-watts max..
- Battery replacement: Use 2 x AAA Lithium battery for remote control.

TROUBLESHOOTING

PROBLEM	POSSIBLE CAUSE	CORRECTIVE ACTION
Fan does not move.	<ol style="list-style-type: none"> 1. Faulty wire connection. 2. Reverse switch not engaged. 	<ol style="list-style-type: none"> 1. Turn power off. Loosen canopy, check all connections. 2. Push switch firmly either way.
Noisy operation.	<ol style="list-style-type: none"> 1. Blades are loose. 2. Cracked blade. 3. Unapproved speed control. 	<ol style="list-style-type: none"> 1. Tighten all blade screws. 2. Replace blades (call customer service). 3. Replace with an approved speed control device.
Excessive wobbling.	<ol style="list-style-type: none"> 1. The blades are loose. 2. Blade brackets incorrectly attached. 3. The fan is not securely mounted. 4. Fan too close to vaulted ceiling. 	<ol style="list-style-type: none"> 1. Tighten all blade screws. 2. Reinstall blade brackets. 3. Turn power off. Carefully loosen the canopy and remount securely. 4. Lower fan or move it to another location.

Warning

This content is compiled from multiple sources and is provided for reference purposes only. It may not be complete or fully applicable to all situations. If you are unable to resolve your issue, please contact the product manufacturer or an authorized service provider for official support.

Document generated by [ManualsFile](#)

