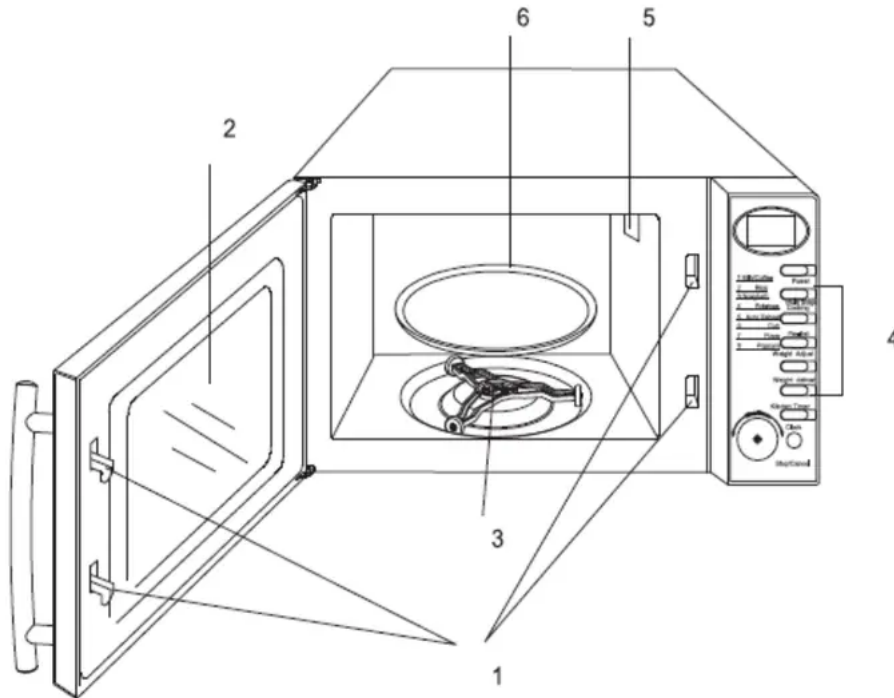


Product overview



1. Door safety lock system
2. Oven window
3. Turntable support
4. Control panel
5. Wave guide cover
6. Glass tray

WARNING: Do not use the oven when empty or for warming plates. Always keep the oven cavity, door assembly and waveguide cover clean

About this microwave oven

- Microwaves are high-frequency electromagnetic waves similar to radio waves. While radio waves may vary in length from one metre to many kilometres, microwaves are very short (less than 12.5 centimetres). Microwaves do not make any heat themselves but only cause water molecules in food to vibrate. This vibration produces heat that cooks the food. This is why your food will come out of the microwave piping hot, when your utensils inside the oven stay much cooler. The microwaves do not stay in the air or in the food when you open the microwave oven door.

- The microwave oven will work using an ordinary household electrical socket. Inside the microwave oven is the magnetron, which turns the electrical energy into microwaves.
- Microwaves cannot go through metal, so the inside of the oven is lined with metal. The door is lined with a fine metal mesh which stops microwaves getting through. This means that when the microwave oven door is shut, there is no possibility that microwaves can be released. This is why the microwave oven has been made so that it will not work when the door is open.

Unpacking the microwave

Before you use your microwave oven

1. Remove all the packaging. Do not remove the small piece of card from the right hand side of the cavity wall. This is called a wave-guide cover and allows the microwaves to pass through to cook the food.

Please ensure you keep this cover clean at all times.

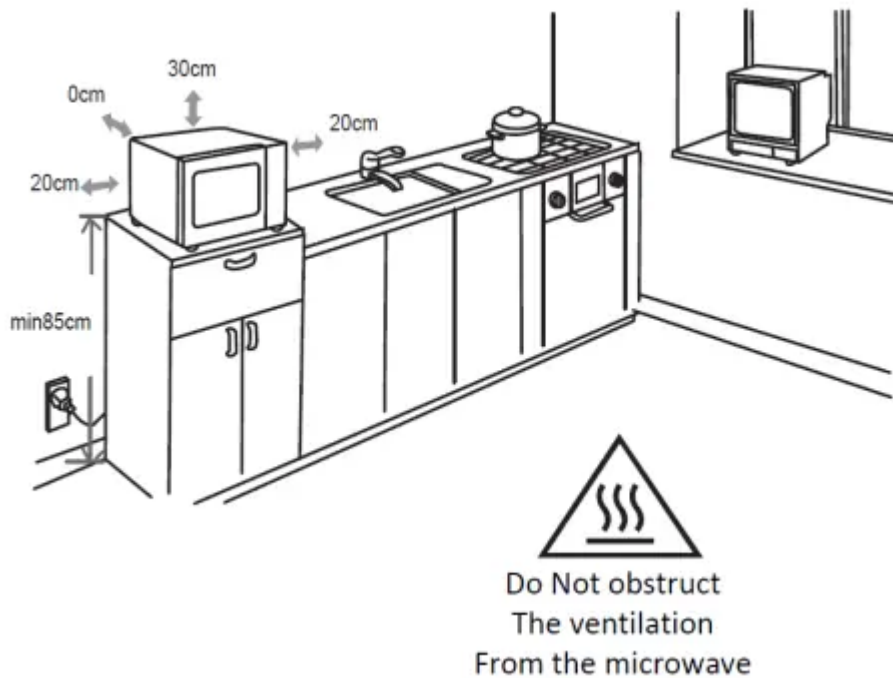
2. Check the oven after unpacking for any visual damage such as:

- A misaligned door
- Damage to the door
- Dents or holes in the door window and screen
- Dents in the inside
- If you can see any damage do not use the oven This microwave oven weighs approximately 10.5kg so you must put it on a horizontal surface that is strong enough to support this weight. The oven must be placed away from high temperatures and steam. Do not put anything on the top of the microwave oven.

Microwave oven installation

- Select a level surface that provides enough space for the outlet vents.
- A minimum clearance of 7.5cm is required between the oven and any adjacent walls. One side must be open. Leave a minimum clearance of 30cm above the oven.
- Place the oven as far away from radios and TV's as possible. Using the oven may cause interference with the reception.
- Plug the oven into a suitable 13 amp mains socket, make sure the voltage is the same as on the rating label (do not use extension cables or mains socket adaptors).
- The microwave oven should be used freestanding only and must not be built-in or used in a cabinet.

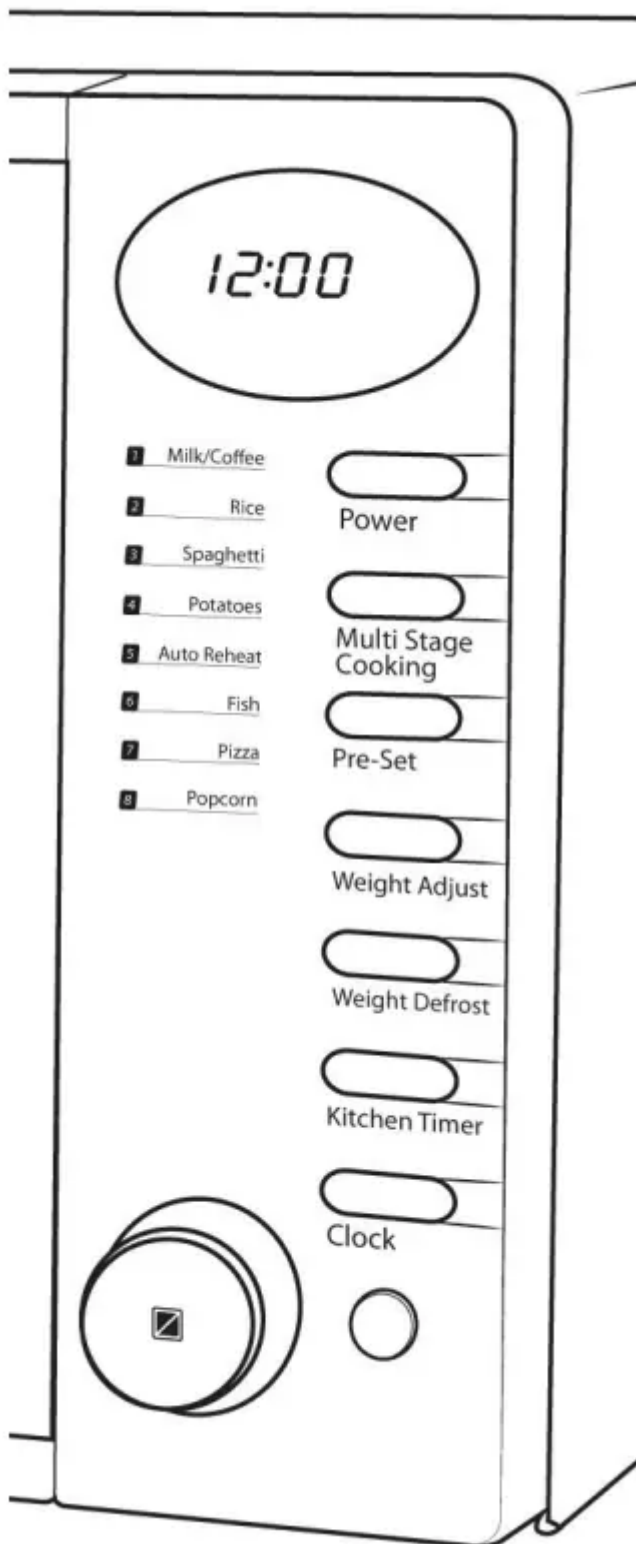
WARNING: do not install the oven over a cooker or other heat producing appliance. This will damage the oven.



Turntable installation

- Before first use, check that any securing tape has been removed from the glass tray and turntable ring assembly. These parts must never be restricted from rotating.
- Never place the glass tray upside down.
- Both the glass tray and turntable ring assembly must always be used during cooking.
- Do not place the food directly onto the glass tray, always place it on or in a suitable microwaveable cookware.
- If the glass tray or turntable ring assembly has been damaged in anyway, please contact the spares helpline number detailed on the back of this instruction manual.

Control panel



- Display: Cooking time, power, action indicators, and clock time are displayed.
- Power: Press this button a number of times to set a cooking power level.
- Multi Stage Cooking: Press this button to set a multi-stage cooking program.

- Pre-Set: Press this button to set a pre-set cooking program. Weight Adjust Press this button to select a weight when using the Auto menu's.
- Weight Defrost: Press this button to defrost food by weight.
- Kitchen Timer: Use to set the kitchen timer.
- Clock: Use to set the time. Stop/Cancel Press to cancel a setting or reset the oven before setting a cooking program. Press once to pause a cooking program and twice to cancel a cooking program. Press and hold to set the child lock.
- Time/Menu
 - Turn the knob to set a cooking time or select the kind of food you want to cook from the Auto menu.
 - Press to start a cooking program, or simply press it a number of times to set a quick start cooking time.

Using the microwave oven

Connect the main plug into a suitable 13amp mains socket, make sure the voltage is the same as on the rating label (do not use extension cables or mains socket adaptors).

The microwave oven will beep once and the display will show the clock symbol.

Note: during any of the following cooking programs, to pause cooking, press the 'Stop/Cancel' button. To stop cooking, press the 'Stop/Cancel' button again.

Setting the clock (24 hour)

Before setting a cooking program the clock needs to be set. For example, if you want to set the time to 8:30 am.

1. Press the 'Clock' button. The display will show '24H', and the clock symbol will be displayed.
2. Turn the 'Time/Menu.' knob clockwise until the display shows '8:.'. The clock symbol will start to flash.
3. Press the 'Clock' button. The display will show '8:00' and the clock symbol will continue to flash.
4. Turn the 'Time/Menu' knob clockwise until the display shows '8:30'. Press the 'Clock' button to confirm. The clock is now set, the colon will flash and the clock symbol will stay lit.

Microwave cooking (Cooking times between 10 seconds and 60 minutes)

Press the 'Power' button a number of times to choose a cooking power level, then turn the 'Time/Menu.' knob clockwise to choose the time. Press the 'Time/Menu.' knob to start cooking.

You can microwave food using 6 settings:

Press the power button	Cooking power
Once	100% (High)
Twice	80% (Medium high)
Three times	60% (Medium)
Four times	40% (Medium low)
Five times	20% (Low)
Six times	0% (Used as a kitchen timer)

For example; if you want to microwave food for 20 minutes at 60% microwave power:

1. Place the food in a container suitable for use with microwave ovens and put it into the microwave oven.
2. Press the 'Power' button three times. The display will show 60% the symbols microwave and power will light up.
3. Turn the 'Time/Menu' knob clockwise to set the time until the display shows '20:00'. The 'Start' symbol will flash and the '1s' will light up.
4. To start cooking, press the 'Time/Menu' knob. The microwave oven will now start to cook the food and the symbols 'Microwave', '1s' and 'Power level' will stay lit.
5. When the food has finished cooking the oven will beep 4 times to let you know and the word 'End' will be displayed.

Please note: 'End' will be displayed and 4 beeps will be heard every 2 minutes until the oven door is opened or the 'Stop/Cancel' button is pressed.

Quick start cooking

This program allows you to cook food at 100% power between 30 seconds and 12 minutes by pressing the 'Time/Menu' knob directly. For example if you want to cook food for 2 minutes.

1. Place the food in a container suitable for use with microwave ovens and put it into the microwave oven.
2. To set the time (2 minutes), press the 'Time/Menu' knob 4 times. The microwave oven will automatically start to cook your food.
3. When the food has finished cooking the oven will beep 4 times to let you know and the word 'End' will be displayed.



Please note: 'End' will be displayed and 4 beeps will be heard every 2 minutes until the oven door is opened or the 'Stop/Cancel' button is pressed.

Weight defrost

Weight defrost allows you to set the food weight and let the oven decide how long the food will take to defrost. You can defrost foods between 100g and 1800g. The steps are as follows:

1. Place the food in a container suitable for use with microwave ovens and put it into the microwave oven.
2. Press the 'Weight Defrost' button. The display will show, '100g'. The 'Auto' and 'Defrost' symbol will light up and 'Power level' symbol will flash.
3. Turn the 'Time/Menu' knob clockwise to choose the weight. For example, if the food weighs 400g, set the display to show '400g'.
4. Press the 'Time/Menu' knob. The 'Auto' and defrost symbols will stay lit and the oven will now start to defrost the food.

Note: 2/3 through the defrosting time the oven will beep and pause. This is to allow you to turn over the food for even defrosting. Turn over or rearrange the food and press the 'Time.Menu' knob to resume defrosting. To defrost fatty meat, defrost intermittently until defrosted. Ice should be removed at all times.

5. When the food has finished defrosting the oven will beep 4 times to let you know and the word 'End' will be displayed.

Please note: 'End' will be displayed and 4 beeps will be heard every 2 minutes until the oven door is opened or the 'Stop/Cancel' button is pressed.

Auto menus

There are 8 auto menus you can use for easy cooking. To access the menus, turn the 'Time. Menu' knob clockwise. For guide lines, please see the Auto menu chart on page 23.

1. Place the food in a container suitable for use with microwave ovens and put it into the oven.
2. Choose the 'Auto' menu you want by turning the 'Time/Menu' knob. The 'Auto' symbol will be displayed.
3. Press the 'Weight Adjust' button to choose the weight. The display will show the weight in grams or amounts and the 'Start' symbol will flash.
4. Press the 'Time/Menu' knob again. The oven will now start to cook the food.
5. When the food has finished cooking the oven will beep 4 times to let you know and the word 'End' will be displayed.

Please note: 'End' will be displayed and 4 beeps will be heard every 2 minutes until the oven door is opened or the 'Stop/Cancel' button is pressed.

Please note: when using the Auto menus for weights and times, if food being cooked is between weights please make sure that it is cooked thoroughly. It is advisable to stir and turn food where needed to ensure even cooking, be sure to handle hot food with care.

Hints

Do not cook, reheat or defrost foods directly on the turntable. always put the food into a suitable microwave container.

Do not cook foods such as meat from frozen, always defrost the foods first.

Where appropriate cover dishes with microwave safe cling film and pierce, this will retain the moisture and prevent splashing and spillages.

Always loosen lids before putting into the oven.

To distribute heat evenly, stir or shake foods halfway through cooking.

Auto menu	Food	Weights	Recommendations
1	Milk/Coffee	1-200ml 2-400ml 3-600ml	Place the cup onto the center of the turntable. When the liquid has been removed from the oven, leave to stand before adding sugar.
2	Rice	150g 300g 450g 600g	Place the rice into a suitable container, cover with water.
3	Spaghetti	100g 200g 300g	Place the spaghetti into a suitable container, cover with boiling water.
4	Potatoes	150g 300g 450g 600g	Prick the skins and place on a suitable plate. Turn the potatoes over halfway through the cooking time.
5	Auto reheat	100g 200g 300g 400g 500g 600g 700g 800g 1000g	Straight from the refrigerator.
6	Fish	200g 300g 400g 500g 600g 700g	Place the fish in a suitable container and cover with microwave safe cling film.
7	Pizza	150g 300g	Straight from the refrigerator.
8	Popcorn	100g	A regular bag from the supermarket (some weights may differ, when cooking remove the bag of popcorn when the corn stops popping at regular intervals)

Multi-stage cooking

The oven has the ability to set multistage cooking. You can combine any 2 cooking programs at once. If you are using 1 function the display will show '1s' (1 stage cooking) If you are using 2 functions, the display will show '2s' (2 stage cooking). For example, if you want to cook food on 100% power for 5 minutes and then cook food on 60% power for 10 minutes:

1. Place the food in a container suitable for use with microwave ovens and put it in the oven.
2. Press the 'Power' button once, turn the 'Time/Menu' knob to set the time '5:00'. The symbols 'Microwave', '1s' and 'Power level' will light up, the 'Start' symbol will flash.

3. Do not press the 'Time/Menu' knob, instead press the 'Multi stage cooking' button, ':10' will be displayed.
4. Press the 'Power' button 3 times to choose 60% power.
5. Turn the 'Time/Menu' knob to set the time '10:00'. The symbols 'Microwave', '2s' and 'Power level' will light up, the 'Start' symbol will flash.
6. Press the 'Time/Menu' knob. The display will show '1s' for first stage cooking. When the first stage is completed, the oven will automatically change to the second stage and the display will show '2s'.
7. When the food has finished cooking the oven will beep 4 times to let you know and the word 'End' will be displayed.

Please note: 'End' will be displayed and 4 beeps will be heard every 2 minutes until the oven door is opened or the 'Stop/Cancel' button is pressed

Pre-set

You can pre-set the oven to start cooking at a later time. For example, if the current time is 14:30 pm, you can set the oven to start at 16:30 pm and cook for 20 minutes.

1. Place the food in a container suitable for use with microwave ovens and put it in the oven.
2. Press the 'Power' button to select the power level required, turn the 'Time/Menu' knob to set the cooking time required.
3. The symbols 'Microwave', '1s' and 'Power level' will light up, the 'Start' symbol will flash.
4. Do not press the 'Time/Menu' knob instead Press the 'Pre-set' button. The display will show the hour digits.
5. Turn the 'Time/Menu' knob to choose the hour '16', press the 'Pre-set' button.
6. Turn the 'Time/Menu' knob to choose the minutes '30'.
7. Press the 'Time/Menu' knob. The oven will now keep the time stored in its memory and at 16:30 the oven will automatically start to operate.
8. When the food has finished cooking the oven will beep 4 times to let you know and the word 'End' will be displayed.

Please note: 'End' will be displayed and 4 beeps will be heard every 2 minutes until the oven door is opened or the 'Stop/Cancel' button is pressed.

Kitchen timer

The kitchen timer is used to set a countdown time for the convenience of the user, it can be used as a reminder.

1. Press the 'Kitchen timer' button.
2. Turn the 'Time/Menu' knob to the length of time required

3. Press the 'Time/Menu' knob. The timer will now start to count down (the oven will not operate during this time).
4. When the time is complete the oven will beep to let you know.

Child safety lock

This function is to prevent children from using the microwave oven.

To activate the child lock, press and hold the 'Stop/Cancel' button for 3 seconds. You will hear a beep and the lock symbol will be displayed.

To deactivate the child lock, press and hold the 'Stop/Cancel' button for 3 seconds. You will hear a beep and the lock symbol will disappear.

Cleaning and care

- Before you clean the oven, turn it off and unplug it. • Keep the inside of the oven clean. When food or liquids stick to the oven walls, wipe with a damp cloth. We recommend that you do not use harsh detergent or abrasives.
- On the right hand side wall of the cavity is the wave guide cover, microwaves are passed through this to enable your food to cook. It is important that this wave guide cover is kept clean at all times. To do this wipe with mild detergent and water, then dry.
- You should clean the outside of the oven with a damp cloth. Don't allow water to seep into the ventilation openings.
- Do not allow the control panel to become wet. Clean with a soft, damp cloth. Do not use detergents, abrasives or spray-on cleaners on the control panel.
- If steam builds up inside or around the outside of the oven door, wipe with a soft cloth. This may happen when the microwave oven is used in humid conditions.
- Regularly remove the glass turntable to clean it, and wash it in warm soapy water. Regularly clean the turntable support and oven floor. Simply wipe the bottom surface of the oven with mild detergent and water, then dry. You can wash the turntable support in mild soapy water.
- When removing the turntable support of the oven, make sure you put it back properly.
- If the inside of the oven smells, put a cup of water with the juice and skin of one lemon in a deep microwave bowl. Microwave it for three minutes, wipe thoroughly and then dry with a soft cloth.
- Failure to maintain the oven in a clean condition, especially if liquid is left under the turntable, could lead to deterioration of the surface that will adversely affect the life of the appliance that may result in a hazardous condition.

Important utensil information

- Do not use metal pans or dishes with metal handles.
- Do not use anything with a metal trim.
- Do not use paper covered wire twist-ties on plastic bags.
- Do not use melamine dishes as they contain a material which will absorb microwave energy. This may cause the dishes to crack or burn, and will slow down the cooking speed.
- Use only cookware that is approved to be used in a microwave oven.
- Do not cook using a container with a restricted opening, such as bottles, as they may explode.
- Do not heat baby bottles with the teat left on. Remove it if replacing the bottle back into the oven.
- Only use thermometers that are approved for microwave ovens.
- Do not use the microwave oven for heating utensils.

Connection to the mains supply

WARNING- THIS APPLIANCE MUST BE EARTHED

This appliance is designed to operate from a mains supply of AC230V ~ 50HZ.

Check that the voltage marked on the product corresponds with your supply voltage.

This product is fitted with a 13A plug complying with BS1363. If this plug is unsuitable or needs to be replaced, please note the following:

Important: The wires in the mains lead are coloured in accordance with the following code:

- GREEN/YELLOW-EARTH
- BLUE-NEUTRAL
- BROWN-LIVE



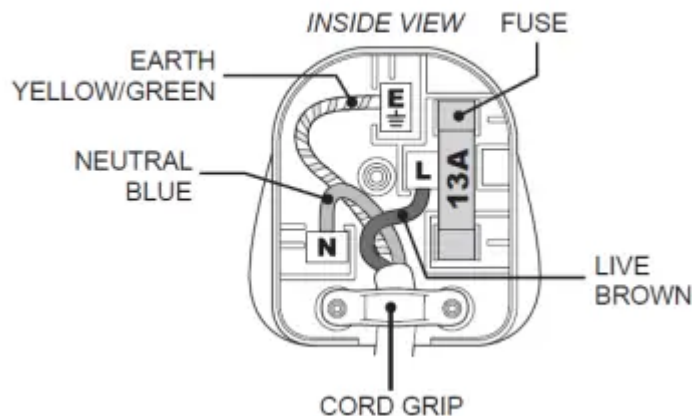
For UK use only – Plug fitting details (where applicable):

As the colours of the wires in the mains lead of this appliance may not correspond with the coloured markings identifying the terminals in your plug, proceed as follows:

- The GREEN/YELLOW wire is the EARTH and must be connected to the terminal which is marked with the letter E or by the earth symbol or coloured GREEN or GREEN/YELLOW.
- The BLUE wire is the NEUTRAL and must be connected to the terminal marked with the letter N or coloured BLACK.
- The BROWN wire is the LIVE wire and must be connected to the terminal marked with the letter L or coloured RED.

Always ensure that the plug cord grip is fastened correctly.

If a 13A (BS1363) fused plug is used it must be fitted with a 13amp fuse conforming to BS1362 and be BSI or ASTA approved.



Troubleshooting

Problem solving

The microwave oven may cause interference to your radio, TV or similar equipment. If it does, you can get rid of the interference by moving the radio, TV or equipment as far away from your microwave oven as possible.

1. If the oven doesn't work -

- Make sure the mains plug is plugged in securely. If it is not, remove the plug from the socket, wait 10 seconds and plug it in again securely.
- Check the premises for a blown circuit fuse or a tripped main circuit breaker.

2. If these seem to be working properly, test the socket with another appliance that you know works. If the microwave power will not work –

- Check to see whether the timer is set, or the child lock is on.
- Make sure the door is securely closed. Otherwise, the microwave energy will not flow into the oven

Plug

- If your appliance is supplied with a non-rewireable plug fitted to the mains lead you will find that it incorporates a fuse, the value of which is indicated either on the base of the plug or on the fuse carrier.
- Should the fuse need replacing, you must use an ASTA approved fuse (conforming to BS1362) of the same rating.
- If the fuse cover is lost the plug must not be used until a replacement is obtained from an electrical supplier.
- If you need to remove the plug, cut it from the mains lead and dispose of it. Never attempt to re-use this plug or insert it into a socket outlet, as there is a very great risk of an electric shock.

Warning

This content is compiled from multiple sources and is provided for reference purposes only. It may not be complete or fully applicable to all situations. If you are unable to resolve your issue, please contact the product manufacturer or an authorized service provider for official support.