

Use and Care Dishwasher

DESCRIPTION OF THE CONTROLS

Upper panel

All the dishwasher controls are grouped on the upper panel. The dishwasher can only be switched on, programmed, switched off, etc. with the door open. A brief description of the various controls on the upper panel is given below.



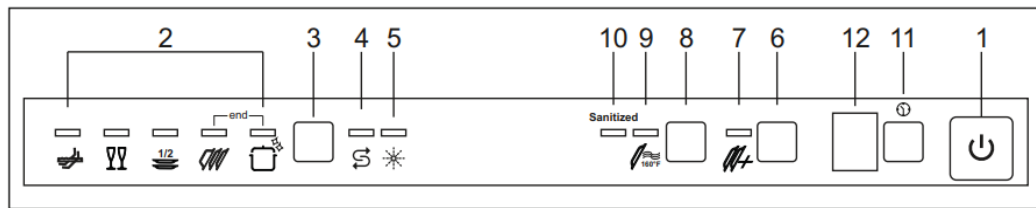
The panel shown is indicative, programs and options may vary depending on model.

1	<p>On/off button</p> <p>Press to power the appliance.</p>
2	<p>Program indicator lights</p> <p>These show which program is selected and whether there are any faults (Troubleshooting).</p>
3	<p>Program indicator lights</p> <p>These show which program is selected and whether there are any faults (Troubleshooting).</p>
4	<p>Add salt indicator light</p> <p>Shows the appliance is low on salt.</p>
5	<p>Add rinse aid indicator light</p> <p>(only fitted on some models)</p> <p>Shows the appliance has run out of rinse aid.</p>
6	<p>Quick time option button</p> <p>Press this button to start one of the quick time programs (see pag. 8).</p>
7	<p>Quick time programs indicator light</p> <p>Shows that one of the quick time programs will be run</p>
8	<p>Extra drying option button</p> <p>Press to select the extra drying option</p>
9	<p>Extra drying option indicator light</p> <p>Shows the function is active</p>
10	<p>Sanitation indicator light</p> <p>Shows that sanitation has been completed (see notes in the programs table)</p>

11	<p>Programme delay button</p> <p>Press to delay the start of the program up to 9 hours.</p>
12	<p>Information display</p>











Setting the washing program and switching on and off

The dishwasher is equipped with a control panel which is used to program the appliance and switch it on and off.



The manual contains the programs table for several models.

To select the most suitable program for the dishes to wash consult the following table which specifies the most appropriate type of washing sequence depending on the kind of dishes and how dirty they are.

PROGRAM, NUMBER & SYMBOL	LOAD DESCRIPTION	PROGRAM CYCLES	DURATION		CONSUMPTION	
			MINUTES (1)	WATER	ENERGY KWH (1)	
1 	RAPID 27'	Dishes with light soil, washed immediately after use.	Wash at 38°C (100.4°F) Rinse at 50°C (112°F)	27	6.5 l 1.72 gal.	0.4
2 	CRYSTAL	Glass china and mixed dishes with light soil.	Wash at 45°C (113°F) Cold rinse Rinse at 70°C (158°F) Dry	65	12 l 3.17 gal.	0.5
3 	DAILY HALF LOAD	Half load dishes with normal soil, washed immediately after use.	Wash at 65°C (149°F) Rinse at 70°C (158°F) Dry	90	13 l 3.45 gal.	1.00
4 	NORMAL (2)	Dishes with normal soil, including dried-on residues.	Wash at 45°C (113°F) Cold rinse Rinse at 65°C (149°F) Dry	100	12 l 3.45 gal.	0.7
5 	EXTREME WASH ETL SANITATION LISTED	Very dirty pans and dishes, including dried-on residues.	Hot prewash Wash at 70°C (158°F) 2 cold rinses Rinse at 70°C (158°F) Dry	122	18.3 l 4.83 gal.	1.12
6 	SOAK	Pans and dishes awaiting completion of the load.	Cold prewash	16	3.9 l 1.03 gal.	0.4
7 	LIGHT	Delicate dishes with light soil.	Cold prewash Wash at 45°C (113°F) Cold rinse Rinse at 70°C (158°F)	50	12 l 3.17 gal.	0.5
8 	NORMAL FAST	Dishes with normal soil, washed immediately after use.	Cold prewash Wash at 65°C (149°F) Cold rinse Rinse at 70°C (158°F)	90	13 l 3.45 gal.	1.00
9 	ECO	Dishes with normal soil, including dried-on residues	Cold prewash Wash at 55°C (131°F) Cold rinse Rinse at 70°C (158°F)	85	12 l 3.17 gal.	0.7
10 			Wash at 65°C			

(1) The cycle times and electrical energy listed are based on normal soil loads and 120°F (49°C) incoming water and will vary based on your actual conditions.

(2) Program for energy star.

- Only "EXTREME WASH" program conforms to NSF std 184 and is certified by INTERTEK with the ETL SANITATION LISTED.

- When the "Sanitized" light shine it means that the dishwasher and its contents have been sanitized according to the requirements of the National Sanitation Foundation (NSF).

Only run the soak program with half loads.

To run programs **6, 7, 8, 9, 10**, select the required standard program and then press the **quick time option button** (ref. 6).

After using the above tables to choose the most suitable washing cycle, program the appliance.

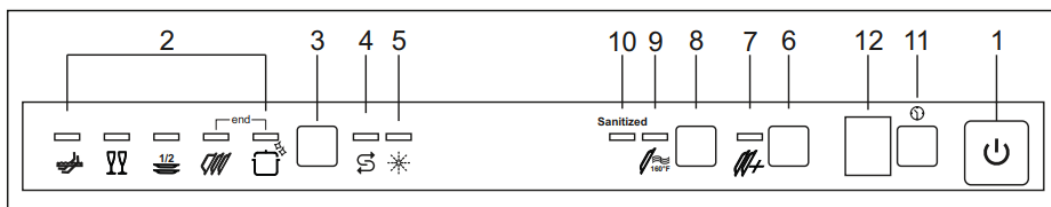


Before starting a washing program, make sure that:

- The watersupply valve is **open**.
- **The correct amount of detergent** has been added to the **dispenser** (to add detergent, see sec. 5.2.3).
- The spray arms are able to rotate **freely** and without obstruction.
- The racks have been **correctly loaded** (see sec 5.4).
- The dishwasher door **is securely closed**.

Switching on

Press the on/off button (ref. 1) to start the dishwasher. Then wait for one of the **program indicator lights** to turn on (ref. 2).



Selecting and starting the program


- Press the **program selection button** (ref. 3) several times until the indicator light corresponding to the required program turns on (ref. 2)

- If required, press the relative buttons to select any complementary functions (e.g.: “extra drying”, “program delay”; see para 2.2.7 “options”);
- Close the door; the program will start after about **2 seconds** and the relevant indicator light will flash throughout the cycle (program running signal).



If the door of the dishwasher has not been closed or has been incorrectly closed, the washing cycle will not begin.

FAST CYCLES OPTION

- Select this option together with any washing program (except the soak program) to **SHORTEN** the cycle by a minimum of 10% to a maximum of 55%, depending on the cycle selected. To activate this option, press the **FAST CYCLES** button  (light comes on) after selecting the program required. The option is automatically deactivated at the end of the program.

End of program

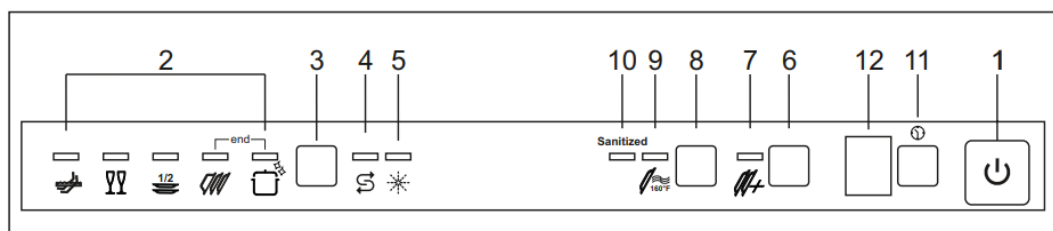
The end of the program is signaled by a short beep. Additionally the indicator light of the normal and strong programs (marked “end”) flash.

Interrupting a program

To interrupt the current program simply open the door of the dishwasher; to restart the program, simply close the door again. The program restarts from where it was interrupted.

Changing the current program

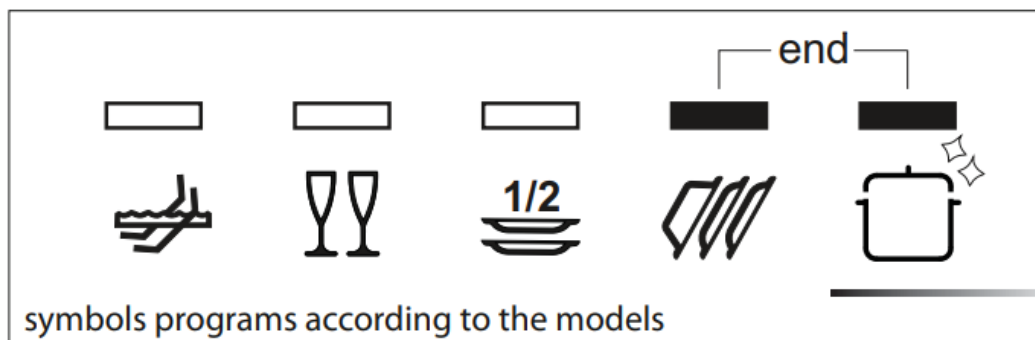
To change the current program, simply open the door of the dishwasher and select the new program. Close the door to run the new program automatically.



Canceling the current program

- To cancel the current program, open the door and press and hold down the **program selection** button (ref. 3) for a few seconds until the indicator lights of the fourth and fifth programs turn on (ref. pr. 4, pr. 5 fig. below).
- Close the door again.

- After about 1 minute, the dishwasher terminates the cycle and the indicator lights of the fourth and fifth programs (ref. pr. 4, pr. 5 fig. below) start flashing.



Extra Drying Option (ref. 8)

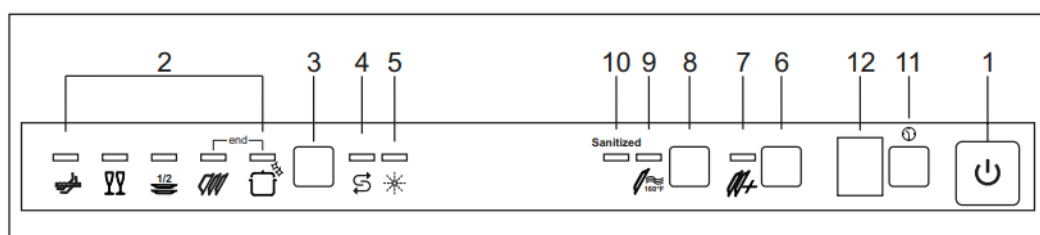
This function is designed for loads with hard to dry items such as saucepans, non-stick pans and plastic containers. This function increases the hot rinse temperature and can be used in programs featuring a final drying phase (see programs table).

PROGRAM DELAY

(available for all programs except soak)

The “**program delay**” function delays the beginning of the washing program up to 9 hours from the moment in which programming takes place. This makes it possible to use the dishwasher at a certain time of day.

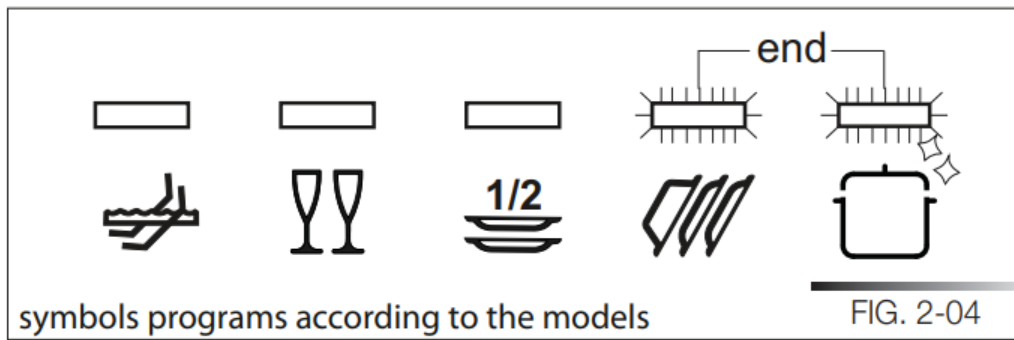
Before programming a delay, open the door of the dishwasher, select the required washing program (see sec. 2.2. “Setting the washing program and switching on and off”). Select the amount of delay by pressing the **Program delay** button (ref. 11); each time you press the button, the display increases the delay before the appliance starts by **1 hour**.



Switching off

At the end of the program, the dishwasher emits a short beep and the **indicator lights of the fourth and fifth program** (ref. pr. 4, pr. 5) flash below.

Turn off the appliance by opening the door and pressing the **on/off button** (ref.1)

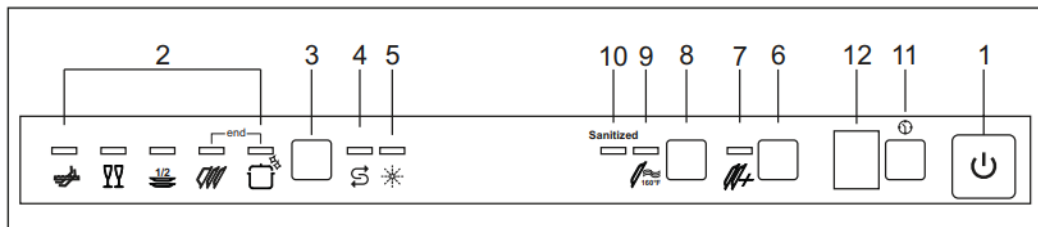


If it is necessary to open the door during the washing cycle, the program will be interrupted, the relative indicator light will continue to flash and a beep will indicate that the cycle has not terminated. Wait for about **1 minute** before closing the door and continuing with the program. When the door closes, the program will start from where it was interrupted. This operation should be performed **only if necessary** as it could cause irregular program performance.

REMOVING THE DISHES



At the end of the washing program, wait at least **20 minute** before removing the dishes in order to allow them to cool. To prevent any ' water droplets on the upper rack from falling onto the dishes in the lower rack, **empty the lower rack** first and then the upper one.



Additional functions

Adjusting the water softener



N.B.: a different washing program from soak must be used to make the following adjustment

Press and hold down the **program delay** button (11) until the preset value appears followed by a dot (normally **3.**). Release the button and then press it again until the required value is displayed, as indicated in the table (see tab. 2-03).

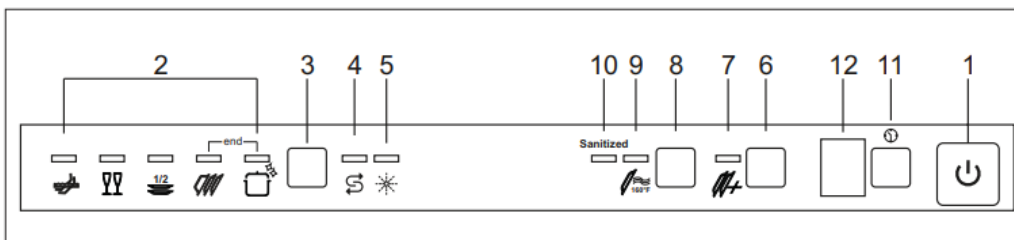
The 6 possible adjustment levels will appear in this sequence:

3., 4., 5., 0., 1., 2

When the required value appears on the display, release the button; after 5 seconds the appliance automatically reverts to the program delay and the adjustment is set to the chosen value.



N.B.: the display indicates the water hardness adjustment and the program delay. A dot (.) after the number means that the water hardness adjustment is being displayed. If no dot (.) appears, the program delay is being displayed



WATER HARDNESS			SETTING
German degrees (°D)	French degrees (°F)	American degrees grains/galls	
0-4	0 - 7	0-4.5	0.
5 - 15	8 - 25	4.6 - 14.5	1.
16 - 23	26 - 40	14.6 - 23.5	2.
24-31	41 - 60	23.6 - 35	3.
32 - 47	61 - 80	35.1 - 46.5	4.
48 - 58	81 - 100	46.6 - 58.5	5.

Contact your local water board for information on the hardness of your water supply.

ENERGY SAVING AND ENVIRONMENTAL CONSIDERATIONS

- **Always** try to run the dishwasher **fully loaded**.
- Do not pre-rinse the dishes under a running tap.
- Use the **most suitable** washing program for each type of load.
- If available, connect the dishwasher to a hot water system with a temperature of up to 60°C (140°F).
- When possible, **skip the drying cycle** by opening the door after washing: the air and the residual heat will dry the dishes naturally.







Reducing the consumption of detergent




The phosphates contained in many popular dishwasher detergents are harmful to the environment. To avoid using excessive amounts of detergent and to save on electricity:

- **Separate** the more delicate items from those that are more resistant to aggressive detergents and high temperatures;
- Do not pour the detergent directly onto the dishes.

TROUBLESHOOTING

The dishwasher can signal a number of malfunctions by turning on various indicator lights, as described below

	FAULT	DESCRIPTION
E1		<p>Acquastop failure</p> <p>The anti-flooding system has tripped (only for models fitted with this feature). Activates in case of water leaks. Contact the technical assistance service.</p>
E2		<p>Safety level</p> <p>The system limiting the water level in the dishwasher has tripped. Interrupt the current program. Switch off the dishwasher, switch it back on again, program a new cycle and press start. If the problem persists, contact the technical assistance service.</p>
E3		<p>Water heating malfunction</p> <p>The water is not heated or is incorrectly heated. Repeat the washing program; if the problem persists, contact the technical assistance service.</p>
E4		<p>Water temperature monitoring malfunction</p> <p>Interrupt the current program. Switch off the dishwasher, switch it back on again, program a new cycle and press start. If the problem persists, contact the technical assistance service.</p>
E5		<p>Water intake malfunction</p> <p>The appliance does not take in water or does so incorrectly. Make sure the water connections are correct, that the water supply tap is open and that the filter is not clogged. If the problem persists, contact the technical assistance service.</p>
E6		<p>Water pump-out malfunction</p> <p>The appliance does not pump out the water or does so incorrectly. Make sure the drain hose is not kinked or crushed and that the siphon and filters are not</p>

		clogged. If the problem persists, contact the technical assistance service.
E7		<p>Turbine flow-regulator malfunction</p> <p>(only for models fitted with this feature)</p> <p>The appliance is unable to precisely measure the quantity of incoming water. Interrupt the current program and switch off the dishwasher. Switch it back on again, program a new cycle and press start. If the problem persists, contact the technical assistance service.</p>
E8		<p>Alternate washing system malfunction</p> <p>Interrupt the current program and switch off the dishwasher. Switch it back on again, program a new cycle and press start. If the problem persists, contact the technical assistance service.</p>
E9		<p>Water intake system malfunction</p> <p>Contact the technical assistance service.</p>

 **Light off**

 **Light on**

 **Light flashing**

If an alarm situation occurs, the dishwasher interrupts the current program and signals the fault.

- Alarms **E1, E2, E3, E4, E8, E9** immediately terminate the current program.
- Alarms **E5, E6** interrupt the current program and, after the problem has been eliminated, resume the cycle.
- Alarm **E7** is displayed at the end of the cycle which, however, is completed given that it does not jeopardize the operation of the dishwasher.

To “reset” an alarm:

- open or close the door, or switch the appliance on and back off again. At this point, the dishwasher can be programmed again.



If the fault persists, contact the Authorized Technical Assistance Service.

OPERATING INSTRUCTIONS



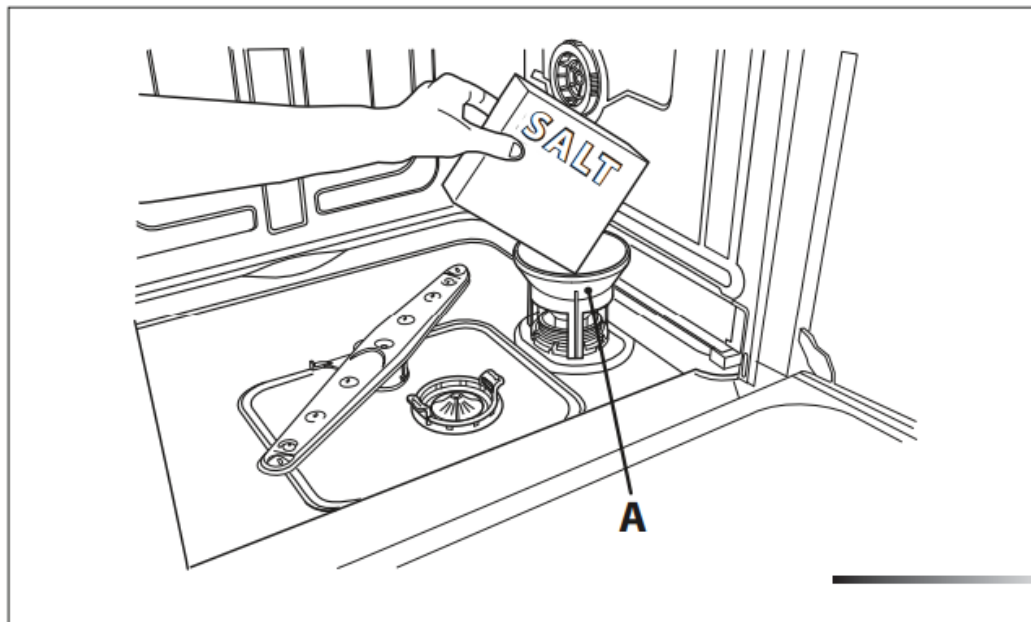
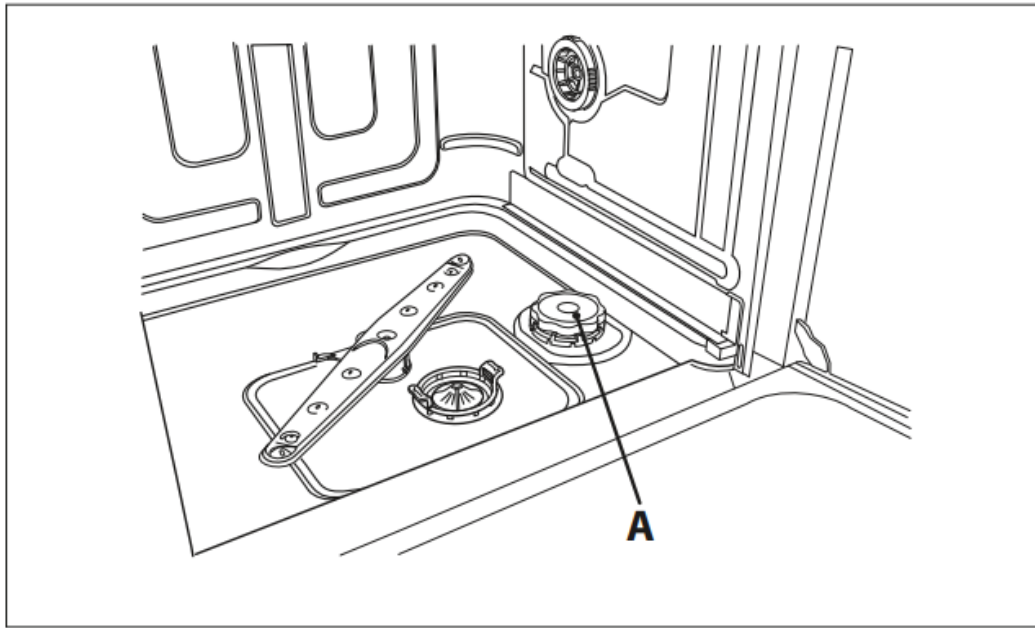
BEFORE STARTING TO USE THE APPLIANCE, MAKE SURE YOU HAVE READ AND UNDERSTOOD ALL THE WARNINGS CONTAINED IN CHAPTER 7 "IMPORTANT SAFETY INSTRUCTIONS".

Once the dishwasher has been correctly installed, prepare for use as follows:

- adjust the water softening system;
- add the regenerating salt;
- add the rinse-aid and detergent.

Using the water softening system

The amount of scale contained in the water (water hardness index) can cause whitish haze on the dry dishes, which tend to become dull over time. The dishwasher is equipped with an automatic softening system which uses a special regenerating salt to reduce the hardness of the water. The dishwasher is factory set for water hardness level 3 (average hardness **41-60°F- 24-31°dH/ 23.6-35 gpg**). When using water of medium hardness, the regenerating salt container should be refilled after approximately 20 washing cycles. The salt container can hold approximately **1.7Kg (3.75 lb)** of salt in grains. Some models are equipped with an optical no-salt indicator. In these models, the cap of the salt container contains a green float which descends as the salt concentration in the water drops. When the green float can no longer be seen, the container must be topped up with regenerating salt. The container is situated at the bottom of the dishwasher. After removing the lower rack, unscrew the salt container cap (ref. A fig. below) by turning it anticlockwise and pour in the salt using the funnel (following figure) supplied with the dishwasher. Before replacing the cap (ref. A fig. below), remove any salt residues from around the opening.

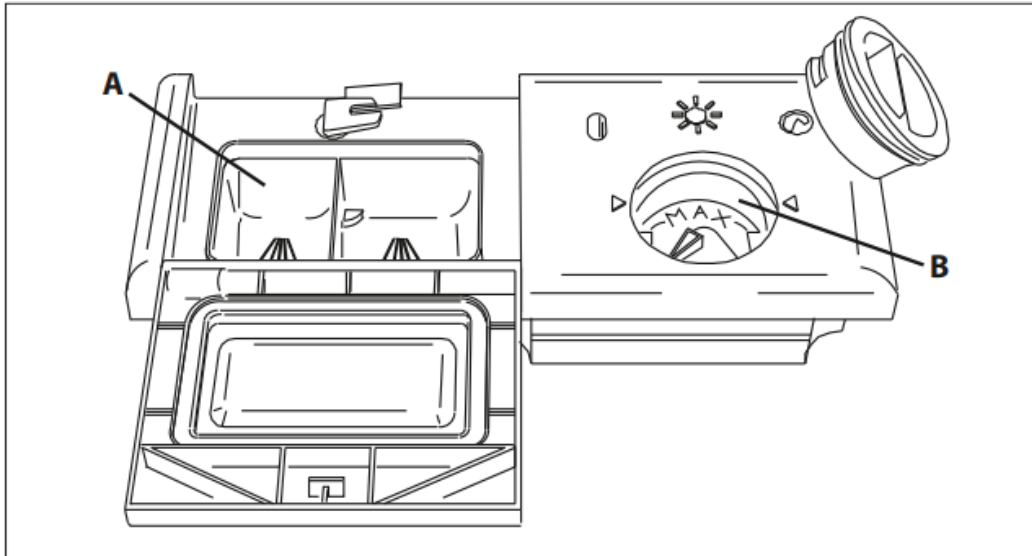


- When using the dishwasher for the first time, in addition to the salt it is also necessary to add **one liter of water** to the container.
- Each time the salt container is refilled, make sure **that the cap (ref. A fig. above) is securely closed**. The mixture of water and detergent must never penetrate the salt container, as this would compromise the operation of the regeneration system and cause complications requiring repair which would not be covered by warranty.
- Only use regenerating salt specially formulated for domestic dishwashers. If using salt tablets, **do not fill the container completely**.
- **Do not use table salt** as it contains insoluble substances which, over time, may damage the water softening system.

- When necessary, refill the regenerating salt container **before starting the washing program**. In this way, the excess saline solution will be immediately removed by the water; the prolonged presence of salt water inside the tank may lead to corrosion.

Using the rinse-aid and detergent dispensers

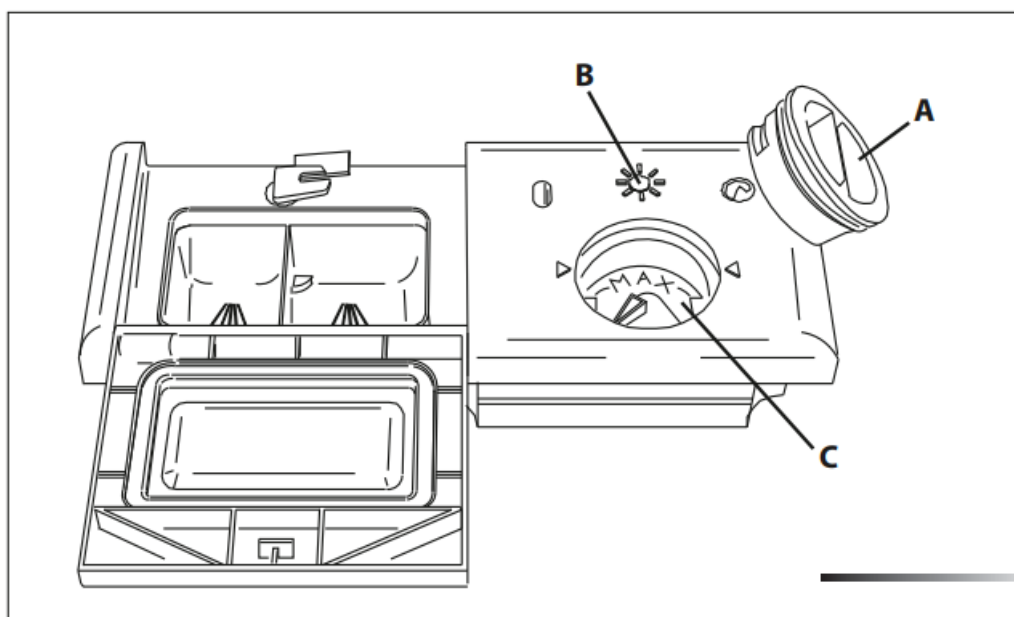
The detergent and rinse aid dispensers are situated on the inner part of the door: **the detergent dispenser** (ref. A fig. below) is on the left, and the **rinse-aid dispenser** (ref. B fig. below) is on the right.



WITH THE EXCEPTION OF THE **SOAK** PROGRAM, BEFORE EVERY WASHING CYCLE IT IS NECESSARY TO ADD THE REQUIRED AMOUNT OF DETERGENT TO THE **DETERGENT DISPENSER**. THE RINSE AID, ON THE OTHER HAND, SHOULD ONLY BE ADDED AS REQUIRED.

Adding the rinse-aid

The rinse aid helps the dishes dry faster and prevents the formation of scale deposits and staining; it is automatically added to the water during the final rinse cycle, from the container situated on the inner side of the door.



To add rinse aid:

- Open the door.
- Rotate the container cover (ref. A fig. above) anticlockwise by ¼ of a turn and remove it.
- Add the rinse aid until the container is full (approximately 140 ml). The optical level indicator (ref. B fig. above), on the side of the cap should be completely obscured. Refill the rinse aid when the optical level indicator becomes clear again, or when the rinse aid warning light illuminates (see "Description of controls" manual).
- Replace the cover (ref. A fig. above) by turning it in a clockwise direction until it is fully closed.
- Use a cloth to remove any spillage of rinse aid which might lead to the formation of excess foam.

Adjusting the rinse-aid dispenser setting

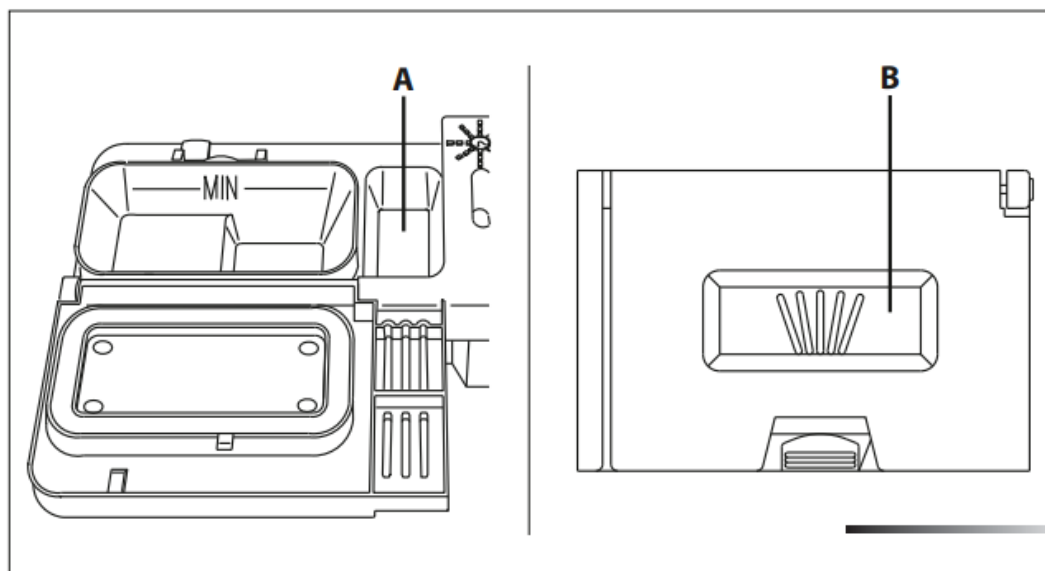
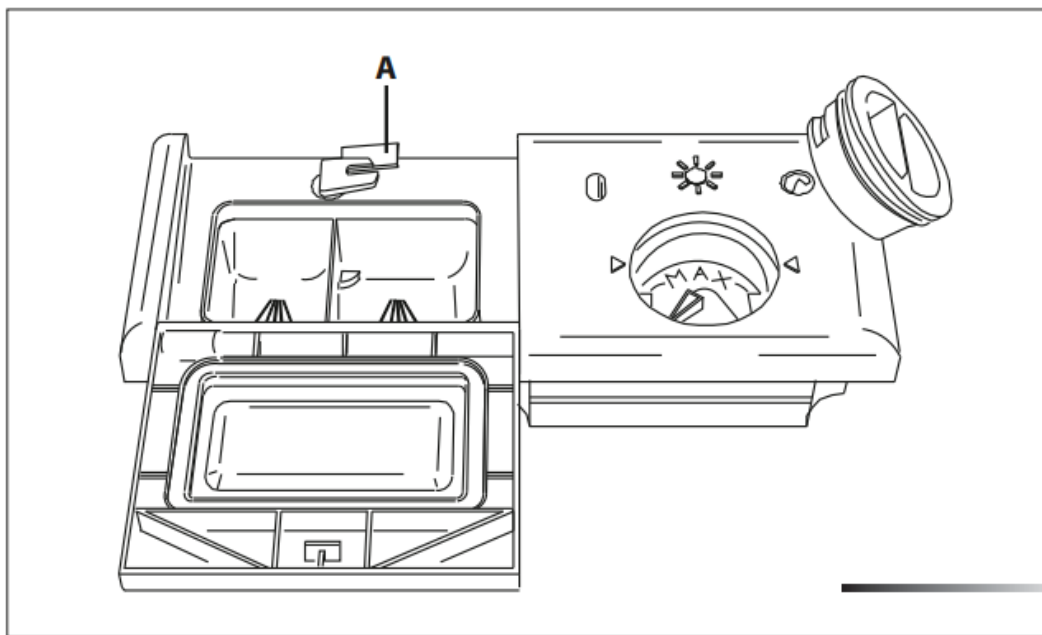
The rinse-aid dispenser can be set to one of 6 different levels. The dishwasher is factory set for medium water hardness (selector set to "3"). To change the setting, turn the dispenser selector (ref. c fig. above) to the desired position: the amount of rinse-aid dispensed is proportional to the position of this selector. Make sure that the minimum amount of rinse-aid (selector turned to "1") is approximately 1 ml and the maximum amount (selector turned to "6") is approximately 6 ml.

- To adjust the rinse aid setting, rotate the dispenser cover (ref. A previous figure) through a quarter turn in an anticlockwise direction and remove it.
- Then use a screwdriver to rotate the rinse aid selector to the desired position.
- Replace the cover (ref. A previous figure) by turning it in a clockwise direction until it is fully closed.

- The amount of rinse aid must be increased if the washed dishes appear dull or feature circular stains.
- If, on the other hand, the dishes are sticky or have white streaks, it is necessary to reduce the rinse aid setting.

Adding the detergent

To open the detergent dispenser cover, lightly press the release button (ref. A fig. below). Add the detergent and close the cover carefully. During the washing cycle, the dispenser will be opened automatically.



- When a program with hot prewash is selected (see program table in the "Description of Controls" manual), extra detergent must be placed in the cavity (ref. A or B fig. above, depending on models).

- **Only** use dishwasher-specific detergents. For optimal washing results it is important to use a good quality detergent.
- The detergent packs must be sealed and stored in a dry place to prevent the formation of lumps which may negatively affect washing results. Once opened the detergent packs should not be kept for too long, otherwise the detergent loses its effectiveness.
- Do not use detergents formulated for washing dishes by hand, because they produce a great deal of foam and may negatively affect the operation of the dishwasher.
- Add the correct amount of detergent. An insufficient amount of detergent will result in a partial removal of soil from the dishes, whereas an excessive amount is wasteful and does not improve the washing results.
- The market offers liquid and powder detergents with differing chemical compositions, which may contain **phosphates**, or be phosphate-free but contain **natural enzymes**.
- Detergents containing **phosphates** are more effective against grease and starch at **temperatures above 60°C (140°F)**.
- Enzyme detergents, on the other hand, are also effective at lower temperatures (**from 40 to 55°C / from 104 to 131°F**) and are more easily biodegradable. With enzyme detergents it is possible to obtain at low temperatures comparable results to those which can only be achieved at **65°C (149°F)** using traditional detergents. For the safeguarding of the environment we recommend the use of **phosphate- and chlorine-free** detergents.
- When using detergent tabs, place them in the cutlery basket. The dispenser has been designed for powder or liquid detergent. As the cover does not open completely during the washing cycle, tabs are not fully released (dissolved). This could generate the following problems:
 - insufficient detergent released during the cycle and poor washing results;
 - the detergent is compacted in the dispenser and is released during the final rinse cycle.



THE INTRODUCTION OF DETERGENT INTO THE RINSE AID DISPENSER, EVEN IN LIQUID FORM, WILL DAMAGE THE DISHWASHER AND VOID , WARRANTY COVERAGE FOR ANY RELATED REPAIRS.

General warnings and recommendations

Before using the dishwasher for the first time, it is advisable to read the following recommendations concerning dish types to be washed and their loading. There are generally no

constraints on the washing of domestic dishes, but in certain cases it is necessary to take their characteristics into account. Before loading the dishes into the racks it is necessary to:

- remove coarse food remains: e.g. bones, fish-bones, etc. which may clog the filter or damage the wash pump;
- soak any pots or pans with burnt-on food remains on the bottom to facilitate removal, then load them into the LOWER RACK.

Use the "½ load wash" option (if available) for washing small amounts of dishes; it saves water and electricity. When using this function, only load the rack selected for the ½ load wash; the other rack must remain empty. There is no need to pre-wash the dishes under running water before loading them into the racks since this only wastes water. Correct loading of the dishes helps ensure optimal washing results.

WARNING!

- make sure that the dishes are securely in place so that they cannot tip over or obstruct the rotation of the spray arms during the washing cycle;
- do not place very small objects in the racks as these could fall and obstruct the spray arms or the wash pump;
- containers such as cups, bowls, glasses and pots should always be loaded with the opening facing downwards and with any cavities at an angle, to allow the water to drain out;
- do not stack dishes or place them in such a way that they cover one another;
- do not place glasses too close together because they may knock against each other and break, or there might be staining at the point where they touch.

MAKE SURE that the items being washed are dishwasher-safe.

Items which are not dishwasher-safe:

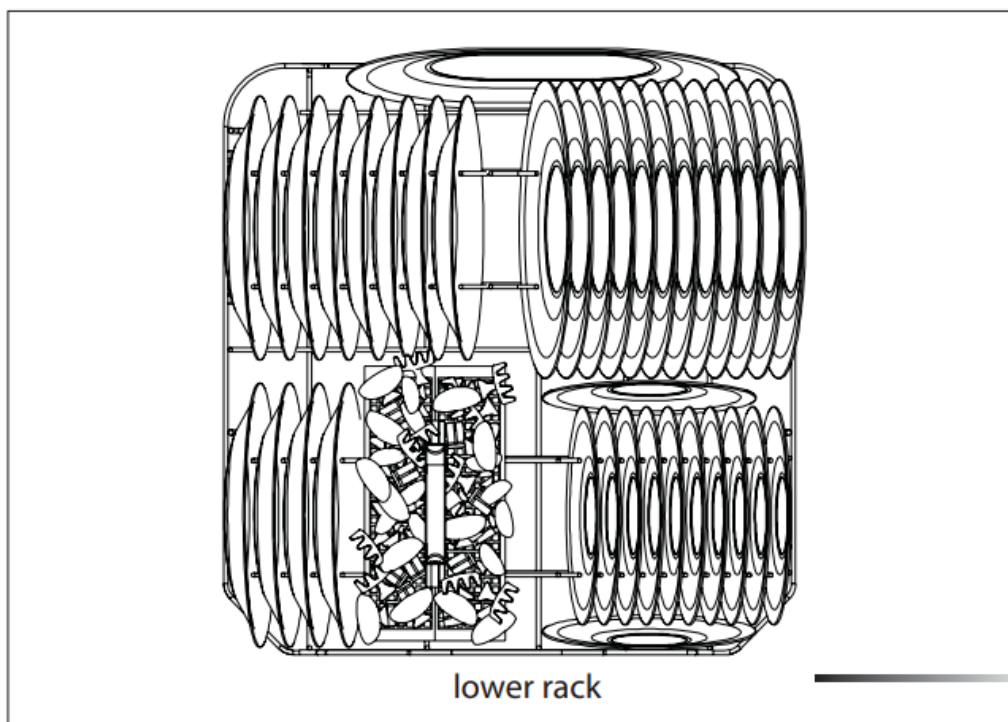
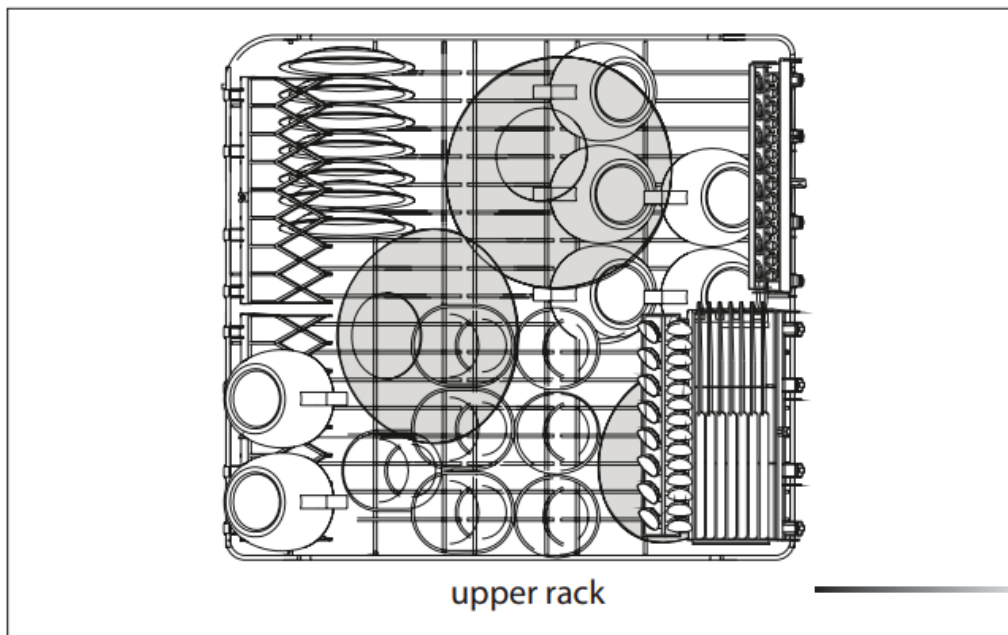
- **Wooden dishes, pots or pans:** these may be damaged by the high washing temperatures.
- **Handcrafted items:** these are rarely suitable for washing in a dishwasher. The relatively high water temperatures and the detergents used may damage them.
- **Lightweight objects:** place lightweight objects in the upper rack where the water pressure is lower.
- **Dishes and objects in copper, tin, zinc or brass:** these tend to stain.
- **Aluminum dishes:** items made from anodized aluminum may lose their color.
- **Silverware:** silver items may stain.
- **Glass and crystal:** in general, glass and crystal objects can be washed in the dishwasher. However, certain types of glass and crystal may become dull and lose their

clearness after many washings. Therefore, for these items we recommend using the least aggressive program available (see sec2.2.).

- **Decorated items:** the decorated objects available on the market are generally able to withstand washing in the dishwasher, although the colors may fade after a great many washes. If in doubt as to the stay-fastness of the colors, it is advisable to wash just a few items at a time for approximately one month as a test sample.

Using the racks

The dishwasher has a capacity of **13 place-settings**, including serving dishes. Examples of loading 13 place-settings in the upper rack and in the lower rack are shown below.

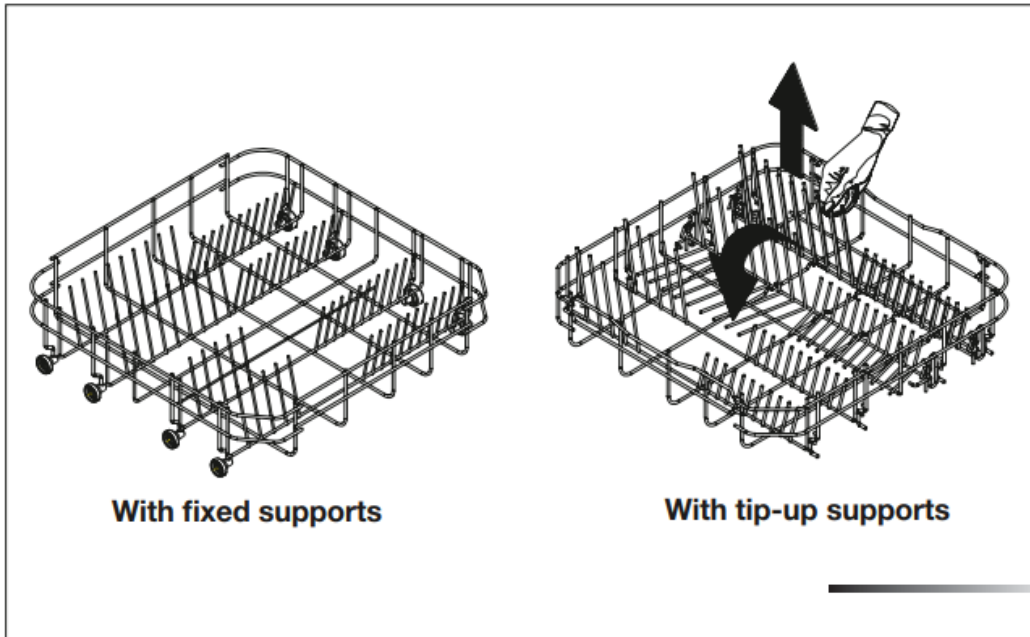


Lower rack

The lower rack receives the full force of the lower spray arm, and should therefore be used for the “toughest” items with a heavier degree of soiling.

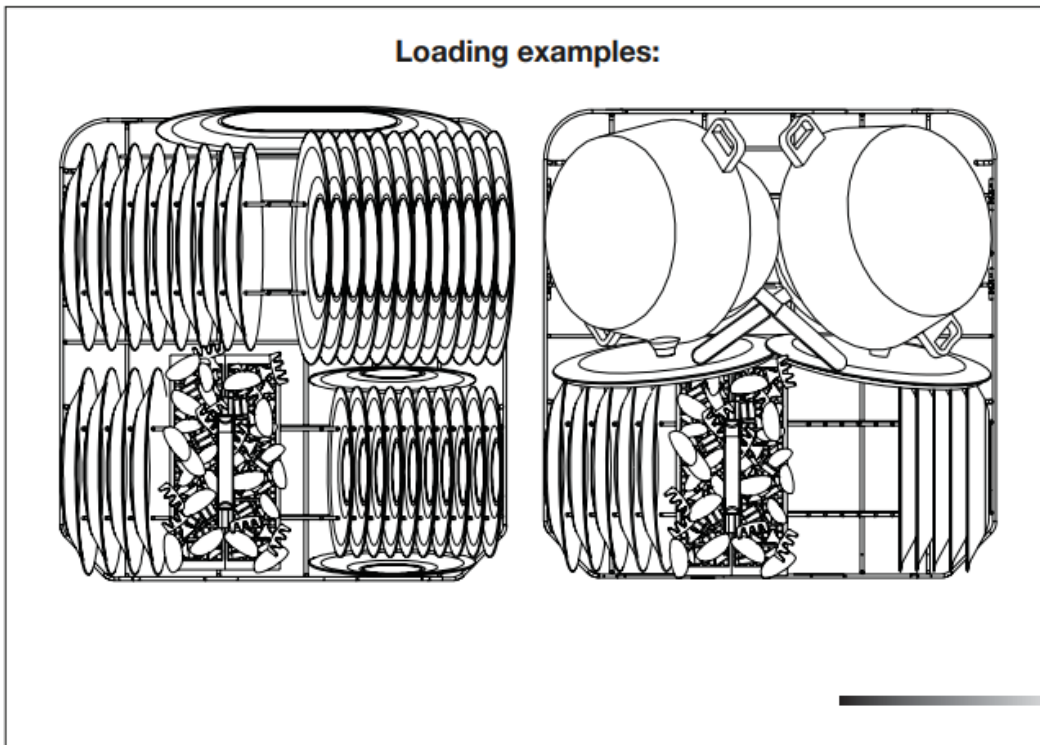
All types and combinations of loads are permitted, provided that the dishes, pots and pans are arranged with all the soiled surfaces exposed to the water jets coming from the bottom.

To make the most of the space inside the rack when loading large items, certain models are equipped with tip-up supports for plates in 2 or 4 sections (see fig. below).



Loading the lower rack

Carefully load flat plates, soup plates, dessert and serving dishes, positioning them vertically. Pots, pans and their covers must be loaded upside down. When loading soup plates and dessert bowls, be sure to leave a gap between them.

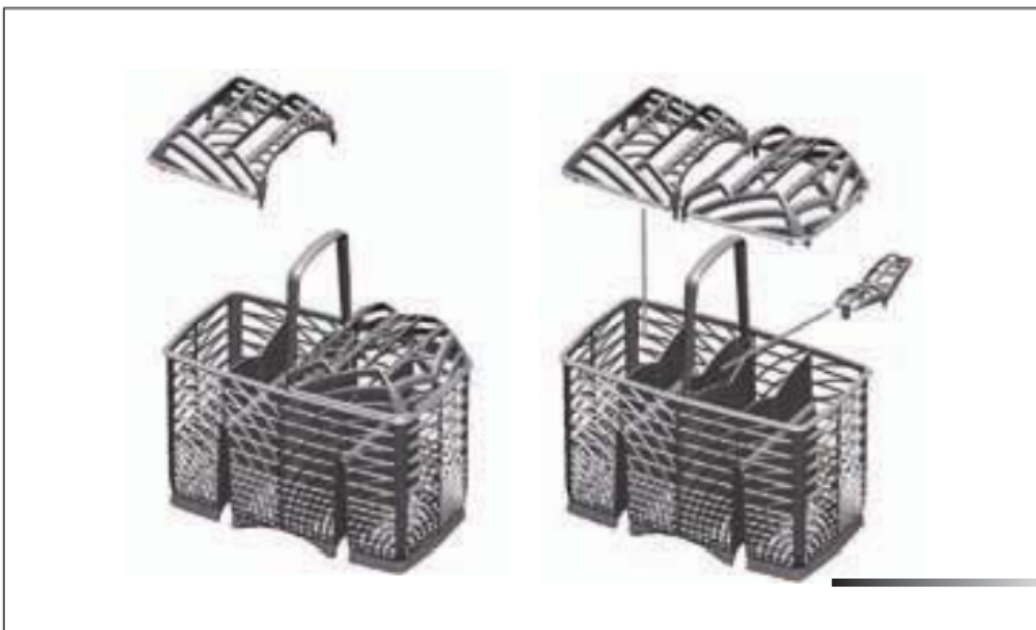


Cutlery basket

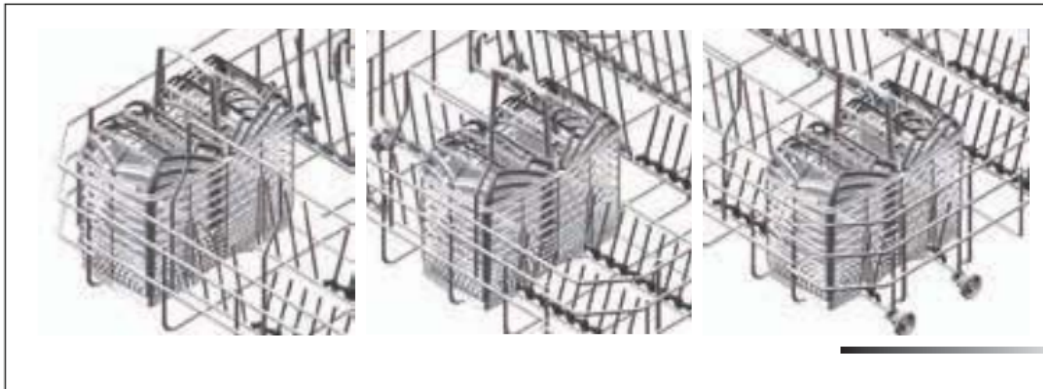
The basket has **removable top grids** into which items of cutlery should be inserted to keep them properly spaced and allow water to pass between them effectively. The top grids and central lid are in the **bag of accessories**. The **central lid** functions as a **lid only**.

The top grids can be **detached** and **used separately**.

The cutlery should be arranged in an orderly manner inside the basket, with the handles pointing downwards. Take care during loading to avoid injury from the knife blades. The basket is suitable for all types of cutlery, except those long enough to interfere with the upper spray arm. Ladles, wooden spoons and cooking knives can be placed in the upper basket, **making sure that the knife blades do not protrude from the basket**.



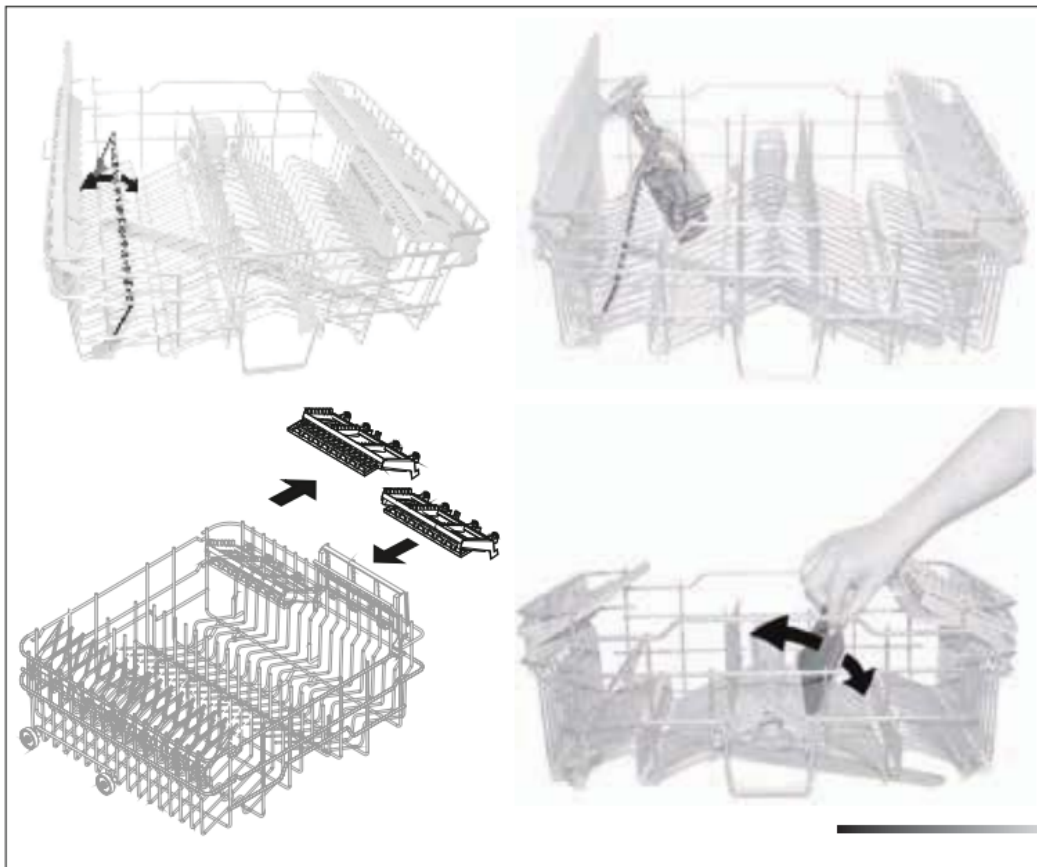
The cutlery basket slides across the dishwasher and can be **placed in any position** to allow optimal use of the space in the bottom basket.



Upper rack

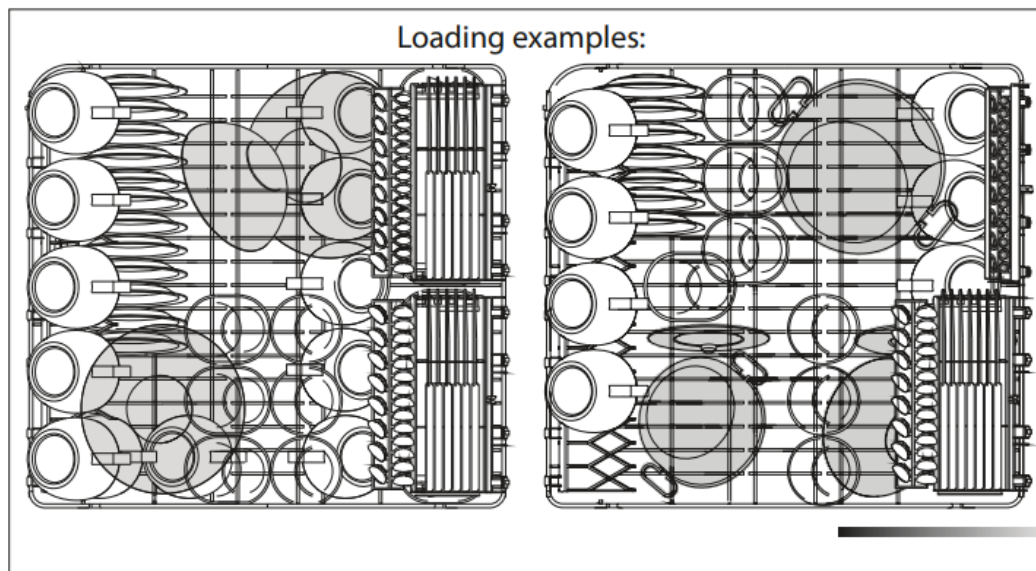
Depending on the models, the basket may be equipped with some or all of the following accessories:

- Supports for cups or long objects (ladles, spoons...), on the left; can be tipped to the vertical position when not in use.
- Long-stemmed glass holder, on the left; to use, simply lift and fix onto the hooks provided.
- Cutlery racks, on the right, designed for knives and teaspoons; for teaspoons, pull out the sliding support. The racks can be tipped to the vertical position when not in use.
- Fixed or movable racks in the middle. The movable supports can be fixed vertical, resting on the bottom of the basket when not in use, or set in the intermediate position, as required.



Loading the upper rack

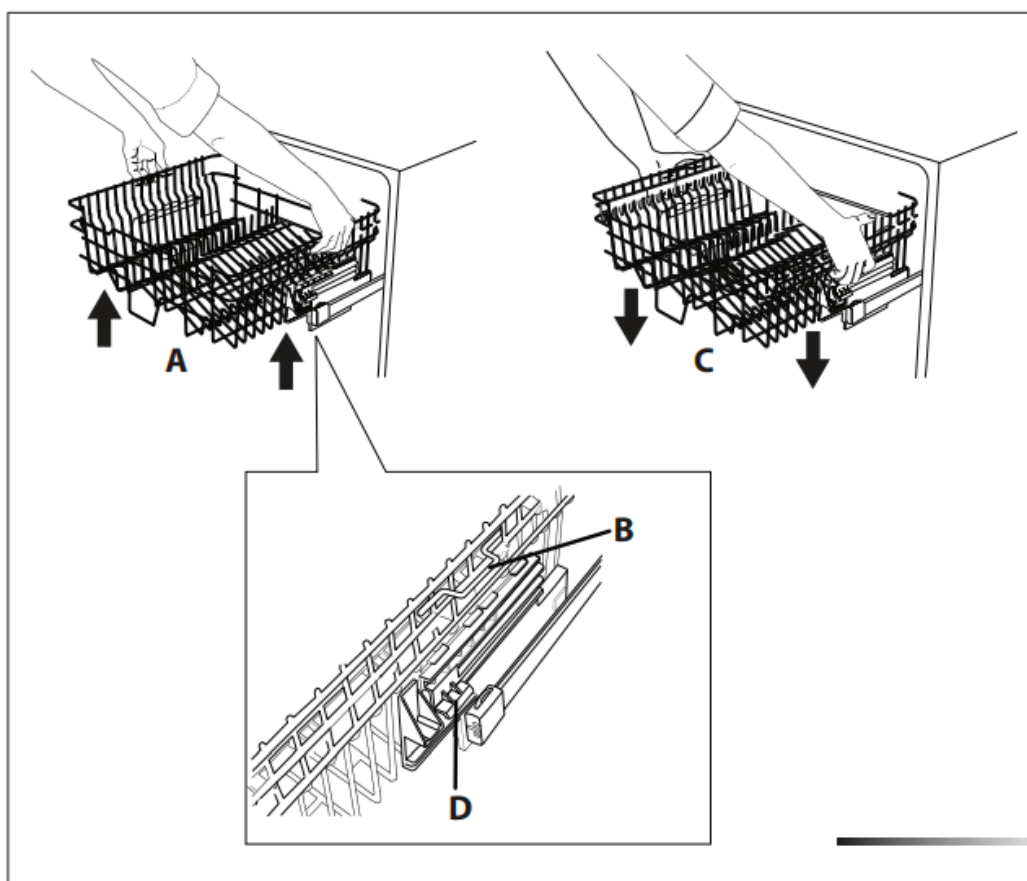
Load plates facing forward; cups, bowls etc. must always be facing downwards. The left-hand side of the rack can be loaded with two layers of cups and glasses. The centre can be filled with plates and side-plates, fitted upright into the supports provided.



Adjusting the upper rack

The upper rack can be set in three different positions on both sides. The rack must be level on both sides.

To raise the rack (ref. A fig. below), lift it with the two handles (e.g.: ref. B fig. below) to the first or second catch depending on the height required. To lower it (ref. c fig. below), pull up the two release levers (e.g.: ref. D fig. below). This is also possible with the rack loaded, but in this case when lowering the rack it should be held steady with one hand to avoid knocking the dishes.



CLEANING AND USER-MAINTENANCE



BEFORE CARRYING OUT ANY WORK, ALWAYS DISCONNECT THE APPLIANCE FROM THE ELECTRICAL POWER SUPPLY.

General warnings and recommendations



NEVER USE ABRASIVE AND/OR CORROSIVE DETERGENTS TO CLEAN THE APPLIANCE.

Clean the outer surfaces and door-lining of the dishwasher regularly using a soft cloth moistened with a neutral detergent (not abrasive and/or corrosive) suitable for painted surfaces. Clean the door gaskets with a damp sponge. Periodically (once or twice a year) it is advisable to clean the tank and gaskets, using a soft cloth and water to remove any deposits.

Do not clean the controls with too much water as this may leak onto the electronic components and damage them.

After cleaning, dry the appliance with a soft, lint-free cloth.

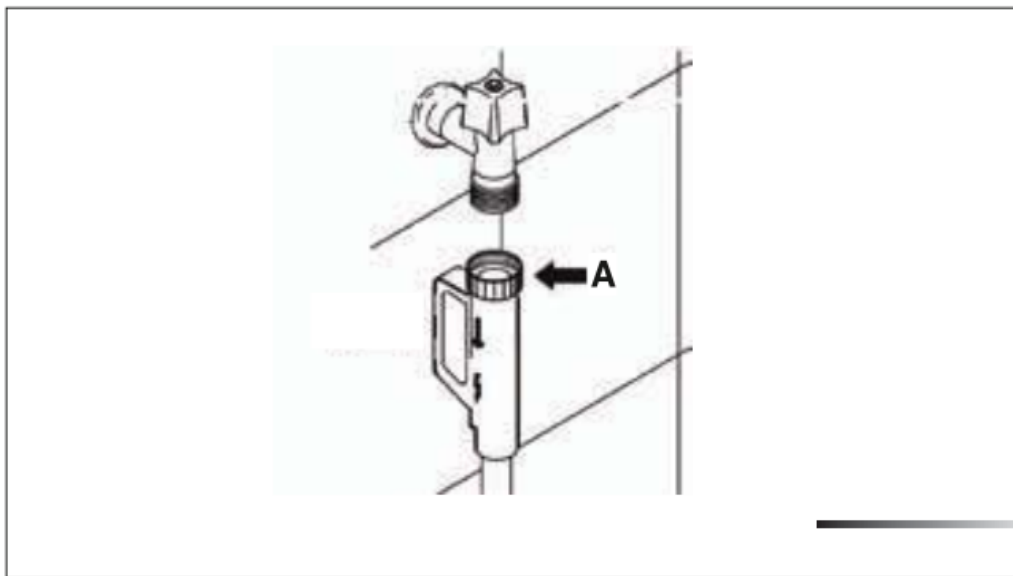
If stainless steel surfaces are preset, clean them with a non-abrasive product specific for stainless steel. To prevent stains, a vaporizer may also be used, though sparingly and at a moderate pressure.

Cleaning the water intake filter

Clean the water inlet filter at regular intervals. After closing the supply valve, unscrew the ring nut (ref. A fig below) on the water inlet pipe (using a pair of pliers, if necessary) and delicately clean the filter, removing deposits or impurities.

Then firmly fix the pipe by tightening the ring nut (ref. A fig below) (use a pair of pliers)

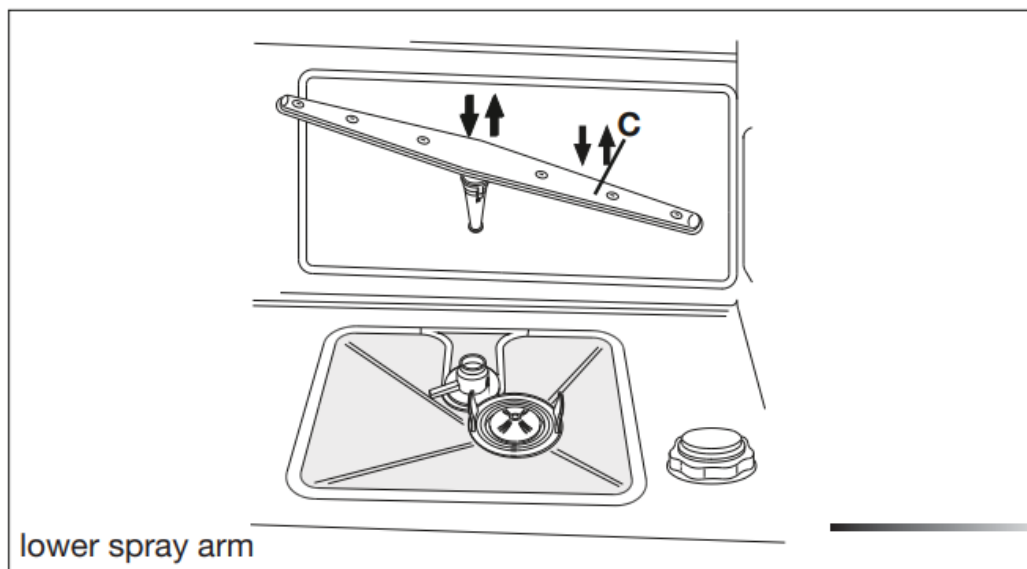
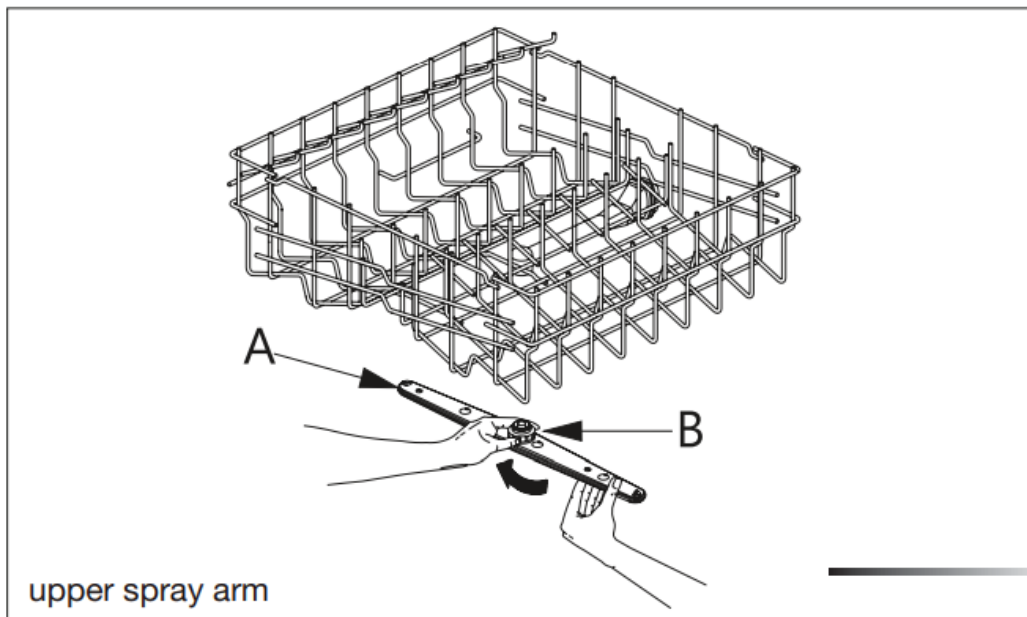
Do not over-tighten - only snug to the point that the dishwasher seals the connection. Over-tightening can damage the washer and cause leaking.



Cleaning the spray arms

The spray arms can be easily removed for periodic cleaning of the nozzles, to prevent possible clogging. Wash them under running water (at room temperature) and carefully replace them in their seats, **checking that their rotary movement is in no way impeded**; if this is not the case, make sure they have been mounted properly. **Removing the spray arms**

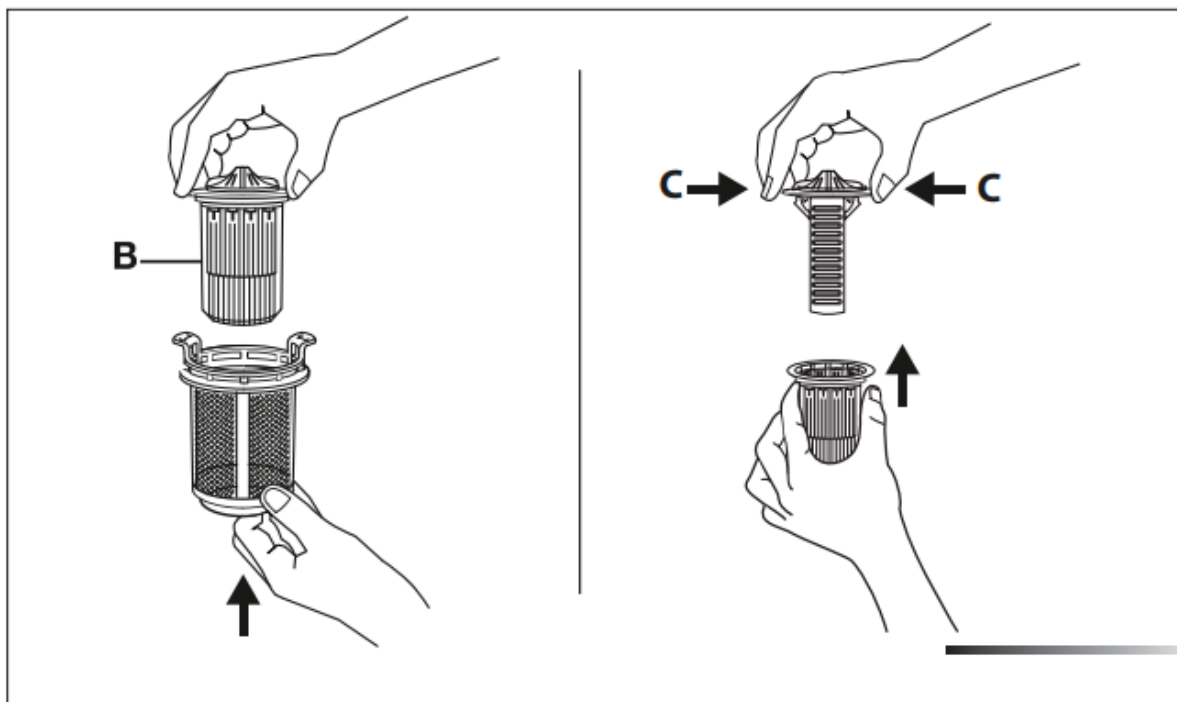
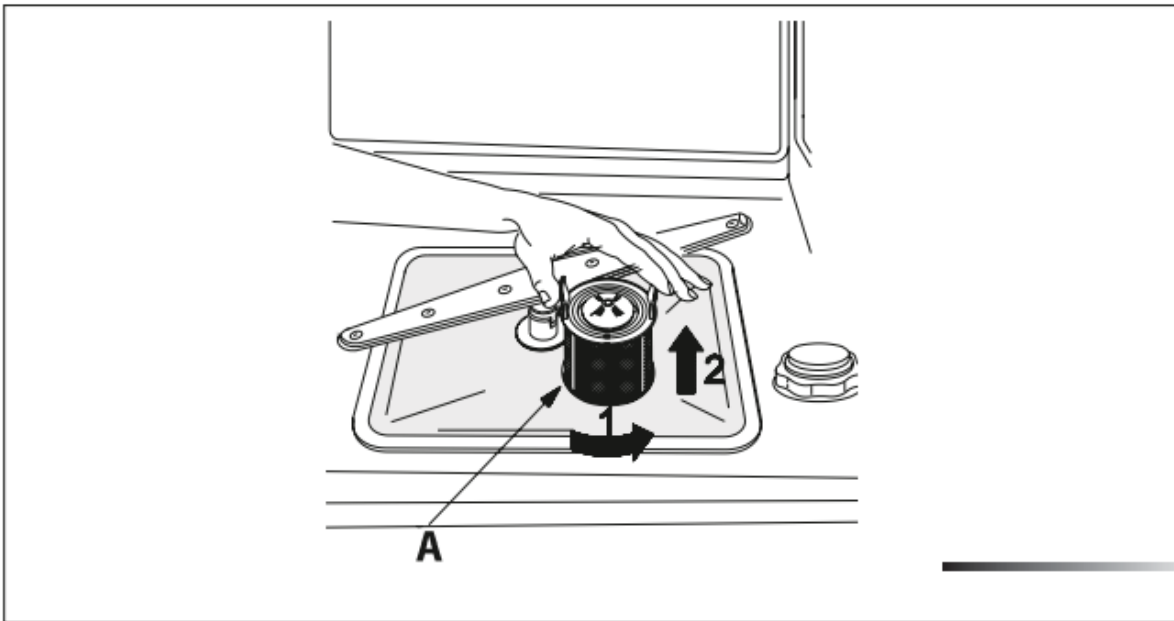
- To remove the **upper** spray arm (ref. A fig below), unscrew the locking ring (ref. B fig below) by turning it clockwise. After cleaning, remount the spray arm in its seat and tighten the locking ring by turning it counter-clockwise.
- To remove the **lower** spray arm (ref. C fig. below), simply lift it up, pulling by the central part (see fig. below). Then remount the lower spray arm into its seat and push it down slightly until it below clicks into place (see fig. below).



Cleaning the filter unit

- Periodically inspect the filter unit (ref. A fig. below) and, if necessary, clean it under running water (at room temperature), using a stiff brush. To remove the filter, grip the tabs, turn counter-clockwise and lift upwards;
- push the center filter (ref. B fig. below) from the underside to remove it from the micro-filter;
- separate the two parts which make up the plastic center filter by pressing the body of the filter in the zone shown by the arrows (ref. C fig. below);
- remove the center filter by lifting it upwards.
- after cleaning, remount the filter unit, joining the two parts comprising the center filter by pushing slightly until they click into place; insert the center filter into the micro-filter (see

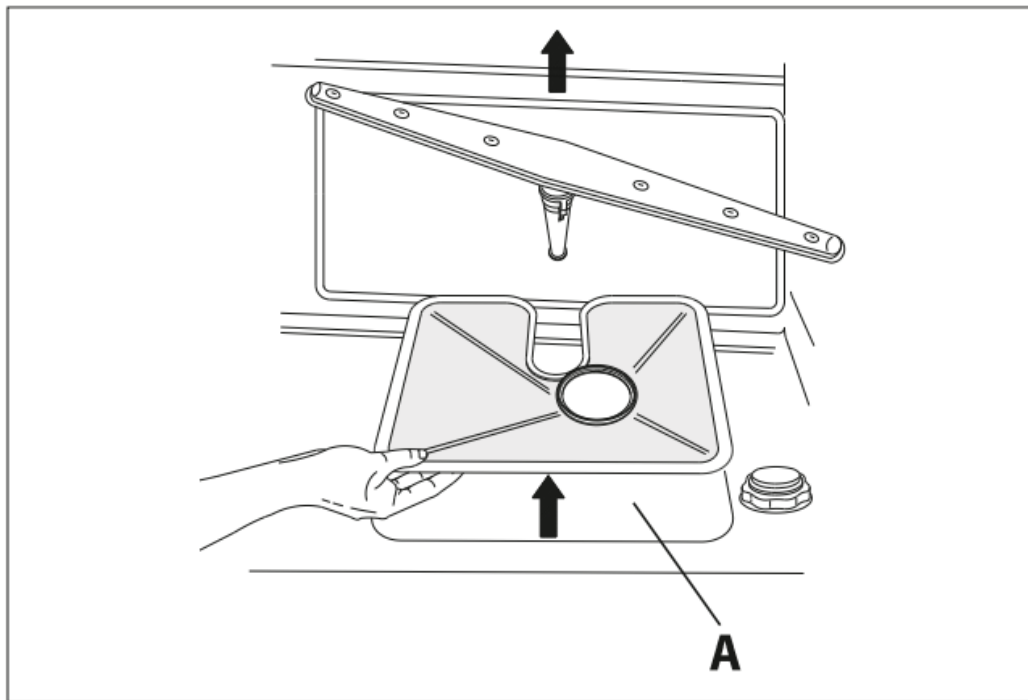
fig. below). Reposition the filter unit (ref. A fig. below) into its seat, turning it clockwise until it locks.



General warnings and recommendations for correct maintenance

- Clean the filters **under running water** (at room temperature) using a stiff brush.
- **When removing the filter**, take care that there are no food residues on it. If any residues fall into the washing pit (ref. A fig. below), they might block hydraulic components or clog the spray arm nozzles.

- It is essential to **thoroughly clean the filters** according to the above instructions: the dishwasher cannot function if the filters are clogged.
- **Carefully replace** the filters in their seats, to avoid damaging the wash pump.



Prolonged disuse

- Run the soak program **twice** in succession.
- **Unplug the power cord** from the socket.
- Leave **the door slightly open** in order to prevent the formation of unpleasant odors inside the washing tank.
- **Fill the rinse-aid dispenser.**
- **Shut off the water supply tap.**

WARNINGS

Before starting the dishwasher after prolonged disuse

- Check that there are no deposits of sludge or rust inside the water pipe: if there are, allow the water to run from the water supply tap for a few minutes.
- **Plug the power cord** back into the socket.
- **Reconnect the water intake hose and open the tap again.**

Troubleshooting minor problems

In some cases it is possible to remedy minor problems by referring to the following instructions:

If the program fails to start, check that:

- the dishwasher is connected to the electrical power supply;
- there is no power failure;
- the water tap is open;
- the dishwasher door is properly closed.

If water remains inside the dishwasher, check that:

- the drain hose is not kinked
- the drain siphon is not obstructed;
- the dishwasher filters are not clogged.

If the dishes do not come out clean, check that:

- the correct amount of detergent has been added;
- there is regenerating salt inside the special container;
- the dishes are being loaded correctly;
- the selected program is suitable for the dish types and their degree of soiling;
- all the filters are clean and positioned correctly;
- the spray arm nozzles are not clogged;
- there is no object obstructing the rotation of the spray arms.

If the dishes fail to dry or remain dull, check that:

- there is rinse aid inside the reservoir;
- the rinse-aid dispenser setting is correct;
- the detergent used is of good quality and has not lost its effectiveness (for example, through incorrect storage, with the box left open).

If the dishes show signs of streaking, staining, etc., check that:

- the rinse aid dispenser setting is not too high.

If there are visible traces of rust inside the tank:

- the tank is made of steel, and therefore any rust marks are due to external elements (fragments of rust from the water pipes, pots, cutlery, etc.). Special products are commercially available to remove such marks.
- check that the amount of detergent being used is correct. Certain detergents can be more corrosive than others.
- check that the cap of the salt container is securely closed, and that the water softening setting is correct.

TECHNICAL DATA

Width	59.7 cm - 59.9 cm (23-1/2" - 23-5/8")
Depth measured flush with the outer edge of the control panel	55 cm (21-5/8") - FD6W24FI1 57 cm (22-4/8") - FD6W24SS1
Height	from 86 cm to 93 cm (from 33-14/16" to 36-10/16")
Capacity	13 standard place-settings
Water supply pressure	min.7 - max. 130 PSI (min. 0.5-max. 9 bar)
Electrical characteristics	See rating plate

Warning

This content is compiled from multiple sources and is provided for reference purposes only. It may not be complete or fully applicable to all situations. If you are unable to resolve your issue, please contact the product manufacturer or an authorized service provider for official support.