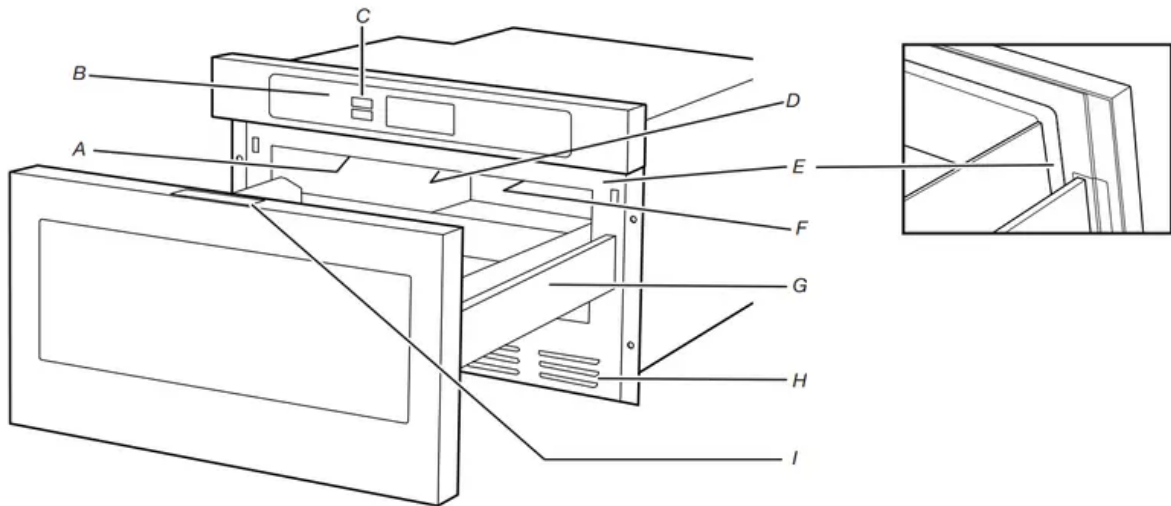


Use and Care Guide MICROWAVE DRAWER

PARTS AND FEATURES

This manual may cover several different models. The model you have purchased may have some or all of the features shown here. The appearance of your particular model may differ slightly from the illustrations in this manual.



- A. Control Panel
- B. Microwave inlet cover — **DO NOT REMOVE**
- C. OPEN and CLOSE controls
- D. Name plate: open the microwave drawer fully. The label is beyond the back wall of the microwave cavity facing up from the flat surface.
- E. Microwave drawer sealing surfaces
- F. Microwave drawer light
- G. Microwave drawer guides
- H. Vent
- I. Cooking Guide label

MICROWAVE DRAWER CONTROLS

This manual may cover several different models. The model you have purchased may have some or all of the features shown here. The appearance of your particular model may differ slightly from the illustrations in this manual.



Display

When the microwave drawer is in use, the display shows cooking power, quantities, weights, and/or prompts. When it is not in use, the display shows the time of day

Before First Use

When the microwave drawer is first plugged in, the message "Enjoy your microwave touch clear and touch clock" will scroll in the display. You will need to clear the message to set the clock.

Clear display:

1. Touch STOP/CLEAR.

If the prompt "Enjoy your microwave touch clear and touch clock" appears at any other time, a power failure has occurred. Clear the display, and reset the clock.

NOTE: The microwave drawer can be programmed with the drawer open except when using Start/Add 1 Min.

Clock

This is a standard 12-hour clock (12:00-11:59).

To Set Clock:

1. Touch TIMER/CLOCK, then number pad 2.
2. Enter time in hours and minutes.
3. Touch TIMER/CLOCK again to complete the setting.

Start

The Start control (Start/Add 1 Min) begins any cooking function. If cooking is interrupted, touching START will resume the preset non-sensor function.

NOTE: To avoid unintentional operation of the microwave drawer, the Start control will work only if a cooking cycle has ended, the drawer has been closed or Stop has been touched within the last 3 minutes.

Add 1 Min

The Add 1 Min control (Start/Add 1 Min) starts the microwave drawer at 100% power for 1 minute. Each additional touch of the control will add 1 minute of cook time.

Cook time may be added in 1-minute increments to a cooking cycle at the current power level by touching ADD 1 MIN during the cycle. The Add 1 Min function cannot be used during Reheat, Defrost, or any sensor cycles.

NOTE: To avoid unintentional operation of the microwave drawer, the Add 1 Min control will work only if a cooking cycle has ended, the drawer has been closed, or Stop has been touched within the past 3 minutes.

Stop/Clear

The Stop control (Stop/Clear) clears any incorrect command, pauses cooking, and cancels most functions with one touch of the control. Touch STOP twice to cancel a running cooking cycle.

The microwave drawer will also turn off when the drawer is opened. Close the drawer, and touch START to resume the non-sensor cycle.

Open/Close

To open the microwave drawer, gently pull on the drawer handle so that the drawer opens automatically. To close the microwave drawer, push the drawer with light pressure so that the drawer closes automatically. In the event the drawer stops in the middle, open or close the drawer manually to full open or close position by gently pulling or pushing with even pressure near the middle of the drawer handle.

If you wish to use key operation to open/close the microwave drawer, touch the OPEN or CLOSE pad on the control panel to open or close the drawer.

When opening or closing the drawer quickly, food in the microwave drawer may be spilled. To clean, refer to the "General Cleaning" section in "Microwave Drawer Care."

Timer

The Timer can be set in minutes and seconds, and counts down the set time. NOTE: The Timer does not start or stop the microwave drawer.

To Set Timer:

1. Touch TIMER/CLOCK, then number pad 1.
2. Enter time in minutes and seconds.
3. Touch TIMER/CLOCK again to start Timer.

Timer may be canceled at any time by touching STOP/CLEAR.

Control Lock

The Control Lock shuts down the control panel pads to avoid unintended operation of the microwave drawer. When the control is locked, only the Control Lock control will function.

To Lock/Unlock Control: Touch and hold CONTROL LOCK for 3 seconds. The display will indicate the lock status.

Setup

The Setup control (Setup/Help) provides access to the following settings:

- Tones: Sound off or on. See the “Tones” section.
- Reminder tones: Reminder signal off or on. See the “Tones” section
- Auto start: See the “Auto Start” section
- Demo Mode: Demo Mode on or off. See the “Demo Mode” section

Tones

End of Cycle Tones: Tones sound at the end of any cooking cycle unless turned off.

To Turn Off/On Sound: Touch SETUP twice, then touch START.

Reminder Tones: Tones sound every 10 seconds for 1 minute, then every three minutes up to 1 hour. Touch STOP to stop the tones.

To Turn Off/On Reminder: Touch SETUP three times, then touch START.

Demo Mode

The Demo Mode is ideal for learning how to use the microwave drawer. When Demo Mode is active, functions can be entered, with real displays and tones, without actually turning on the microwave generator (magnetron). While functions are operating in Demo Mode, the light comes on, and the display counts down the time quickly.

To activate Demo Mode: Touch SETUP five times, then touch and hold START for 3 seconds.

To deactivate Demo Mode: Touch SETUP five times, then touch START.

Help

Tips are available for all automatic functions. To view tips, touch HELP (Setup/Help) while “HELP” is lit in the display.

MICROWAVE DRAWER USE

A magnetron in the microwave drawer produces microwaves which reflect off the metal floor, walls, and ceiling and pass through the turntable and appropriate cookware to the food. Microwaves are attracted to and absorbed by fat, sugar, and water molecules in the food, causing them to move, producing friction and heat, which cooks the food.

- To avoid damage to the microwave drawer, do not lean on or allow children to swing on the microwave drawer door.

- To avoid damage to the microwave drawer, do not operate microwave drawer when it is empty.
- Clothes, flowers, fruit, herbs, wood, gourds, paper, including brown paper bags and newspaper, should not be dried in microwave drawer.
- The vent under the drawer must not be blocked. During microwaving, steam may come out of the right side of the vent.
- It is normal for the exterior of the microwave drawer to be warm to the touch when cooking or reheating.
- Paraffin wax will not melt in the microwave drawer because it does not absorb microwaves.
- Use oven mitts or pot holders when removing containers from microwave drawer.
- Keep the microwave inlet cover clean: food residue can cause arcing and/or fires (see the "Microwave Drawer Cavity" section in "Microwave Drawer Care").
- Baby bottles and baby food jars should not be heated in microwave drawer. Transfer baby food to a small microwavesafe dish and heat, stirring often.
- Pierce skins of potatoes, apples, squash, hot dogs, and sausages so that steam escapes while cooking.
- Do not overcook potatoes. At the end of the recommended cook time, potatoes should be slightly firm. Let potatoes stand for 5 minutes to finish cooking.
- Do not cook or reheat whole eggs inside the shell. Steam buildup in whole eggs may cause them to burst, requiring significant cleanup of microwave drawer. Cover poached eggs and allow a standing time

Food Characteristics

When microwave cooking, the amount, size and shape, starting temperature, composition and density of the food affect cooking results.

Amount of Food The more food heated at once, the longer the cook time needed. Check for doneness and add small increments of time if necessary.

Size and Shape Smaller pieces of food will cook more quickly than larger pieces, and uniformly shaped foods cook more evenly than irregularly shaped food.

Starting Temperature Room temperature foods will heat faster than refrigerated foods, and refrigerated foods will heat faster than frozen foods.

Composition and Density Foods high in fat and sugar will reach a higher temperature, and will heat faster than other foods. Heavy, dense foods, such as meat and potatoes, require a longer cooking time than the same size of a light, porous food, such as cake.

Microwave Cooking Power

Many recipes for microwave cooking specify which cooking power to use by percent, name, or number. For example, 70%=Medium-High. When using the microwave drawer at power levels below 100%, you may hear the magnetron cycling on and off: this is normal microwave operation.

Use the following chart as a general guide for the suggested cooking power of specific foods.

PERCENT/ NAME	POWER LEVEL PAD TOUCH	USE
100%, High (default setting)	Once	Quick-heating convenience of foods with high water content, such as soups, beverages and most vegetables.
90%	Twice	Cooking small tender pieces of meat, ground meat, poultry pieces, and fish fillets. Heating cream soups.
80%	Three times	Heating rice, pasta, or stirrable casseroles. Cooking and heating foods that need a cook power lower than high. For example, whole fish and meatloaf.
70%, MediumHigh	Four times	Reheating a single serving of food.
60%	Five times	Cooking sensitive foods such as cheese and egg dishes, pudding, and custards. Cooking non-stirrable casseroles, such as lasagna.
50%, Medium	Six times	Cooking ham, whole poultry, and pot roasts. Simmering stews
40%	Seven times	Melting chocolate. Heating bread, rolls, and pastries
30%, MediumLow, Defrost	Eight times	Defrosting bread, fish, meats, poultry, and precooked foods.
20%	Nine times	Softening butter, cheese, and ice cream.
10%, Low	Ten times	Taking chill out of fruit.
0%	Eleven times	Sensor operation; no cook power.

Manual Cooking

To Use:

1. Place food in the microwave drawer, and close the drawer.
2. Enter the cook time in minutes and seconds. If cooking with 100% power, skip Step 3.
3. Touch POWER LEVEL repeatedly to set the desired cooking power. See “Microwave Cooking Power.”
4. Touch START. When the cycle ends, “END” will appear in the display, and the end-of-cycle tones will sound, followed by reminder tones. 5. Touch STOP or open the drawer to clear the display.

Cook time may be added in 1-minute increments during the cycle by touching Add 1 Min.

Sensor Cooking Information

A sensor in the microwave drawer detects humidity released from the food as it heats and adjusts the cook time accordingly.

Many sensor cycles require the covering of foods. Microwave-safe containers or steamers with loose-fitting lids are recommended. The loose-fitting lid allows enough steam to escape to be detected by the sensor. When covering foods with plastic wrap, be sure to leave a large enough vent opening to allow the steam to escape.

Sensor cooking options include Sensor Popcorn, Sensor Cook, and Sensor Reheat.

NOTES:

- The microwave drawer should be plugged in for at least 3 minutes before using any sensor setting.
- The microwave drawer cavity and the exterior of the cooking container should be dry.
- The room temperature should not exceed 95°F (35°C).
- Once the sensor cycle begins, the food name will appear on the display. If the drawer is opened during this time, sensing will stop and the program will be canceled. When sensing is complete, a remaining time will appear on the display. Once the time is displayed, you may open the drawer to stir or season food, if desired.
- Check food temperature after cycle is complete. If additional time is needed, continue to cook using the manual settings.
- Except when using Sensor Popcorn, if the sensor does not detect humidity properly, "ERROR" will be displayed, and the microwave drawer will turn off.
- The sensor works with foods at normal storage temperature. If your food is frozen, it will need to be defrosted before using a sensor cycle.

Sensor Reheat

The sensor in the microwave drawer determines the reheating time based on the weight of the food being heated. Sensor Reheat will detect humidity and reheat food items from 4 to 36 oz (113-1020 g).

To Use Sensor Reheat:

1. Place food, loosely covered, in the microwave drawer, and close the drawer.
2. Touch SENSOR REHEAT.
3. Touch START. When the cycle ends, "LET STAND COVERED" will appear in the display, and end-of-cycle tones will sound, followed by reminder tones.
4. Touch STOP or open the drawer to clear the display.

MICROWAVE DRAWER CARE

General Cleaning

IMPORTANT: Before cleaning, make sure all controls are off and the microwave drawer is cool. Always follow label instructions on cleaning products. Soap, water, and a soft cloth or sponge are suggested unless otherwise noted.

Microwave Drawer Cavity

To avoid damage to the microwave drawer cavity, do not use soap-filled scouring pads, abrasive cleaners, steel-wool pads, gritty washcloths or some recycled paper towels. To avoid damage to stainless steel models, rub in direction of grain. The area where the microwave drawer and frame touch when closed should be kept clean.

Average soil - Mild, nonabrasive soaps and detergents: Rinse with clean water and dry with soft, lint-free cloth.

Heavy soil - Mild, nonabrasive soaps and detergents: Heat 1 cup (250 mL) of water for 2 to 5 minutes in microwave drawer. Steam will soften soil. Rinse with clean water and dry with soft, lint-free cloth.

Odors - Lemon juice or vinegar: Heat 1 cup (250 mL) of water with 1 tbs (15 mL) of either lemon juice or vinegar for 2 to 5 minutes in microwave drawer.

Microwave Drawer Exterior

The area where the microwave drawer and frame touch when closed should be kept clean.

- Mild, nonabrasive soaps and detergents: Rinse with clean water and dry with soft, lint-free cloth.
- Glass cleaner and paper towels or nonabrasive plastic scrubbing pad: Apply glass cleaner to towel, not directly to surface.

Stainless Steel (on some models) - To avoid damage to microwave drawer and exterior, do not use soap-filled scouring pads, abrasive cleaners, steel-wool pads, gritty washcloths or some paper towels. Rub in direction of grain.

- Stainless Steel Cleaner and Polish (not included): See “Assistance or Service” section to order.
- Liquid detergent or all-purpose cleaner: Rinse with clean water and dry with soft, lint-free cloth.
- Vinegar for hard water spots.

Control Panel

- Sponge or soft cloth and water: Dampen sponge with water and wipe panel. Dry with soft cloth.
- To avoid damage to the control panel, do not use chemical or abrasive cleansers.

Microwave Drawer Guides

To keep drawer opening and closing smoothly, remove crumbs from guides, and clean often.

- Dry, soft cloth

TROUBLESHOOTING



Problem	Possible Causes and/or Solutions
Nothing will operate	A household fuse has blown, or a circuit breaker has tripped: Replace the fuse or reset the circuit breaker. If the problem continues, call an electrician.
Microwave drawer will not operate	<p>The magnetron is not working properly: Try to heat 1 cup (250 mL) of cold water for 2 minutes at 100% cooking power. If water does not heat, try the steps below. If microwave drawer still does not operate, call for service. See “Assistance or Service” section.</p> <p>The electronic microwave drawer control is not set correctly: See the “Microwave Drawer Control” section.</p> <p>The Control Lock is on (on some models): See “Control Lock” section.</p> <p>The Demo Mode is active (on some models): See “Demo Mode” section.</p>
Microwave drawer makes a humming noise	This is normal and occurs when the power supply switches the magnetron on and off.
Microwave drawer front looks wavy	This is normal and will not affect performance.
Display is showing "ERROR" during sensor cooking	The sensor is not detecting humidity. Check the food and the cover, then start the program again. See the “Sensor Cooking” section.
Fan is running slower than usual	The microwave drawer has been stored in a cold area: The fan will run slower until the microwave drawer warms up to normal room temperature.
Cooking times seem too long	<p>Cooking power not set properly: See “Microwave Cooking Power” section.</p> <p>Large amounts of food being heated: Larger amounts of food need longer cooking times</p>
Radio, TV or cordless phone interference	<p>The radio or TV receiver is near the microwave drawer: Move the receiver away from the microwave drawer, or adjust the radio or TV antenna.</p> <p>The microwave drawer door and sealing surfaces are dirty: Make sure these areas are clean.</p>

The cordless phone frequency is 2.4 GHz: Some 2.4 GHz-based cordless phones and home wireless networks may experience static or noise while the microwave drawer is on. Use a corded phone, a different frequency cordless phone, or avoid using these items during microwave drawer operation.

Warning

This content is compiled from multiple sources and is provided for reference purposes only. It may not be complete or fully applicable to all situations. If you are unable to resolve your issue, please contact the product manufacturer or an authorized service provider for official support.

