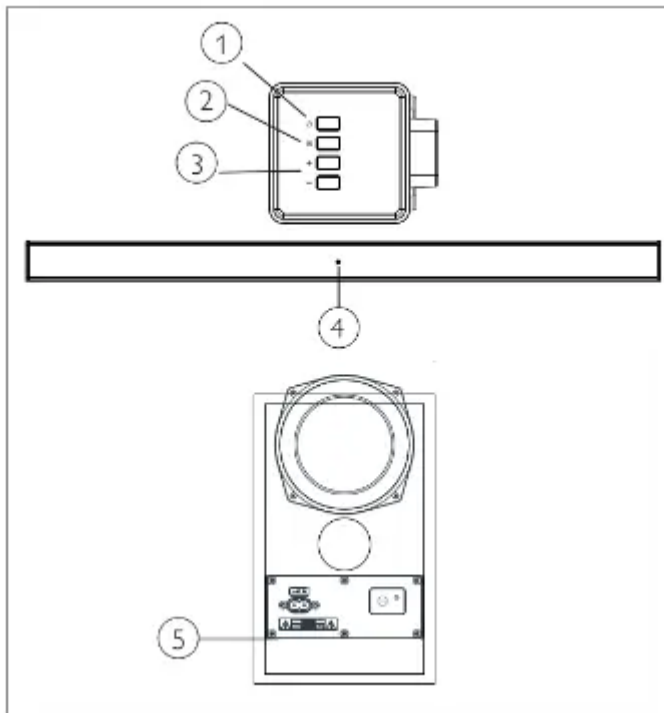


Your SoundBar

Main unit

This section includes an overview of the main unit.



1. 

Switch the soundbar on or to standby.

2.  (SOURCE)

Select an input source for the soundbar.

3. Volume +/-

Increase or decrease volume.

4. Soundbar's LED indicator

- Light up red when the soundbar is in standby.
- Light up green when you switch to line in input source (3.5mm stereo audio cable).
- Light up blue when you switch to Bluetoothmode and Bluetooth devices are paired.

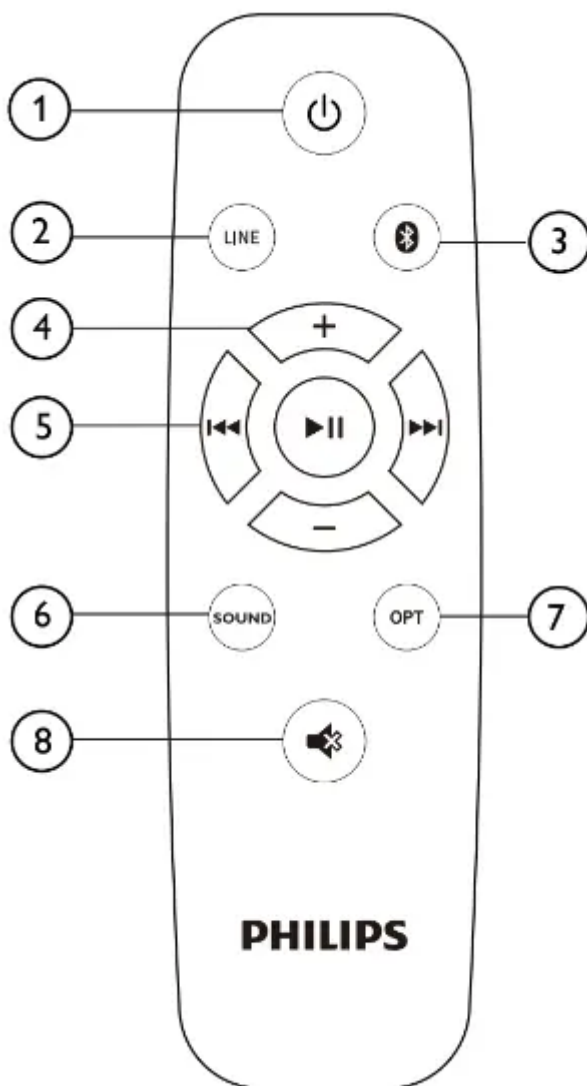
- Light up yellow when you switch to optical input source.
- Blink red when you increase or decrease volume, solid red when you maximize or minimize volume.
- Blink red at a low rate when you mute the soundbar.

5. Subwoofer's LED indicator

- Blink red before it is connected with the SoundBar.
- Solid green when it is successfully connected with the SoundBar.

Remote control

This section includes an overview of the remote control.



1.  (Standby-On)

Switch the SoundBar on or to standby.

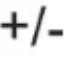
2.LINE

Switch to LINE IN mode.






3.

Switch to Bluetooth mode.

4.  (Volume)

Increase or decrease volume.

5. Play buttons/Bluetooth PAIRING

-  : Play, pause or resume play in Bluetooth mode (only for AVRCP supported Bluetooth devices).
-  : Skip to the previous or next track in Bluetooth mode (only for AVRCP-supported Bluetooth devices).
-  (Long Press): Disconnect the currently connected Bluetooth device and start a new pairing

6. SOUND

Choose Music, Movie or News mode.

7. OPT

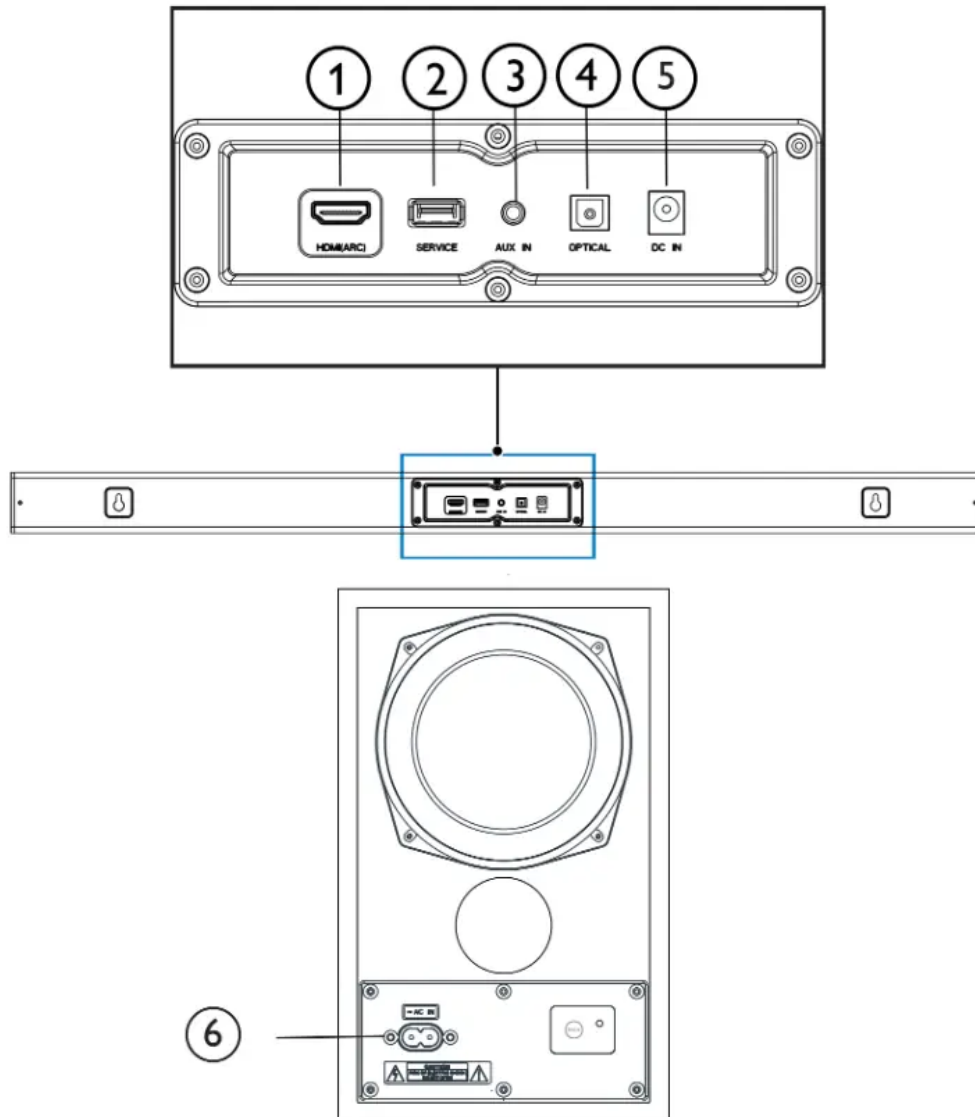
Switch your audio source to the optical connection.

8. 

Mute or restore volume.

Connectors

This section includes an overview of the connectors available on your SoundBar



1.(HDMI (ARC)

Connect to the HDMI input on theTV.

2. SERVICE

For software upgrade.

3.AUX IN

Audio input from, for example, an MP3 player (3.5mm jack).

4.OPTICAL

Connect to an optical audio output on the TV or a digital device.

5.DC IN

Connect the soundbar to the power supply.

6.AC IN



Connect the Subwoofer to the power supply.

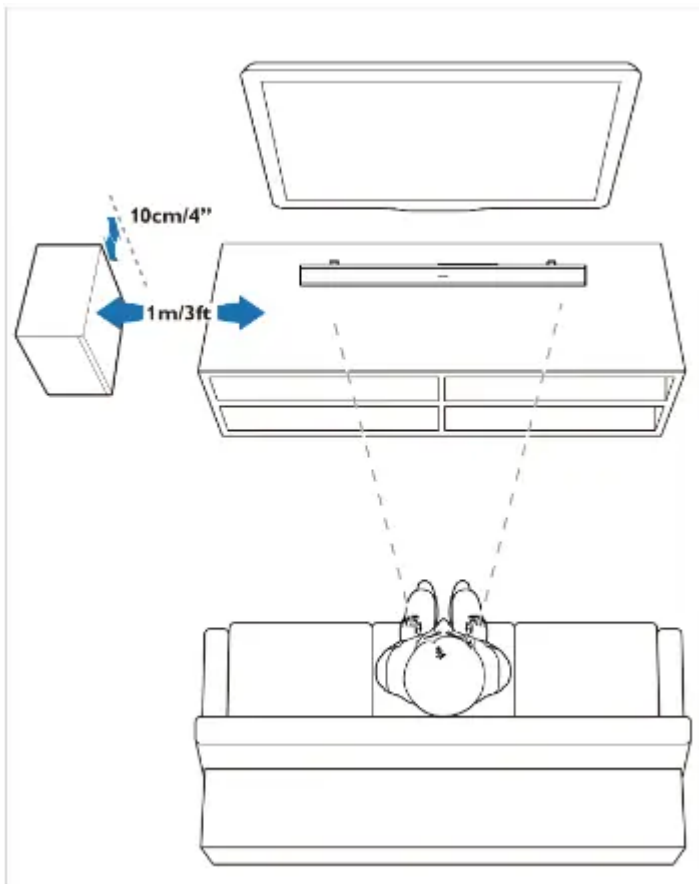
Connect

This section helps you connect your SoundBar to aTV and other devices.

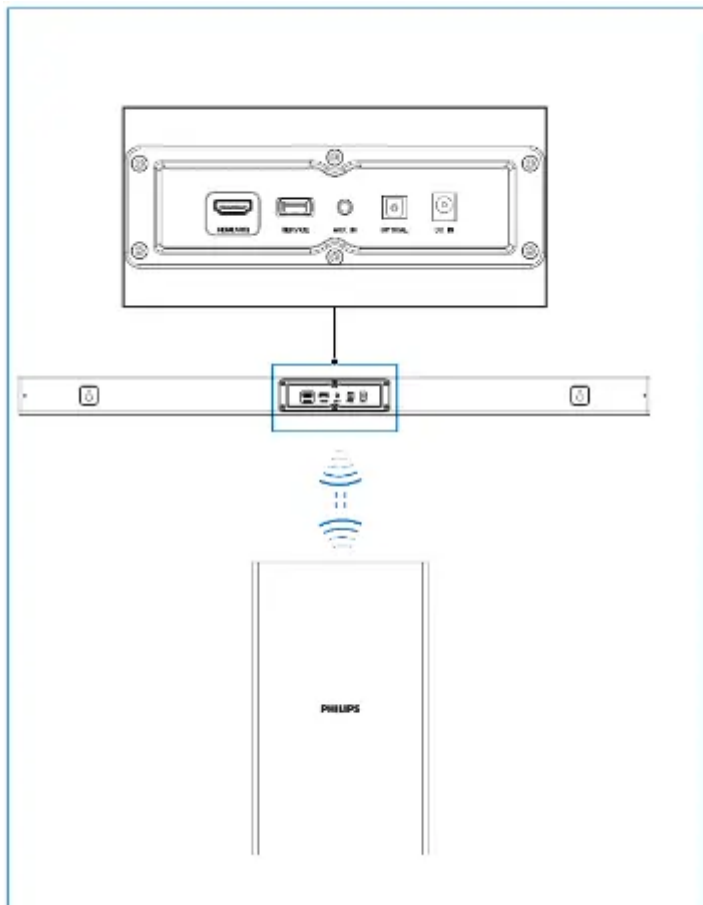
For information about the basic connections of your SoundBar and accessories, see the quick start guide.

Placement

Place your SoundBar and Subwoofer as shown below.



Connect the SoundBar and Subwoofer



Connect the SoundBar and Subwoofer through Bluetooth.

- The Subwoofer will be connected with the SoundBar via Bluetooth signal.
- The Subwoofer's indicator will blink red before connected with the SoundBar, and will show solid blue after connected with the SoundBar.
- If the SoundBar and the Subwoofer has been paired before, when you again plug in and power on the SoundBar, the Subwoofer will be automatically be paired with the SoundBar with normal sound output and solid blue indicator. And the Subwoofer will be powered off automatically after the SoundBar being powered off.

Pair the Subwoofer manually

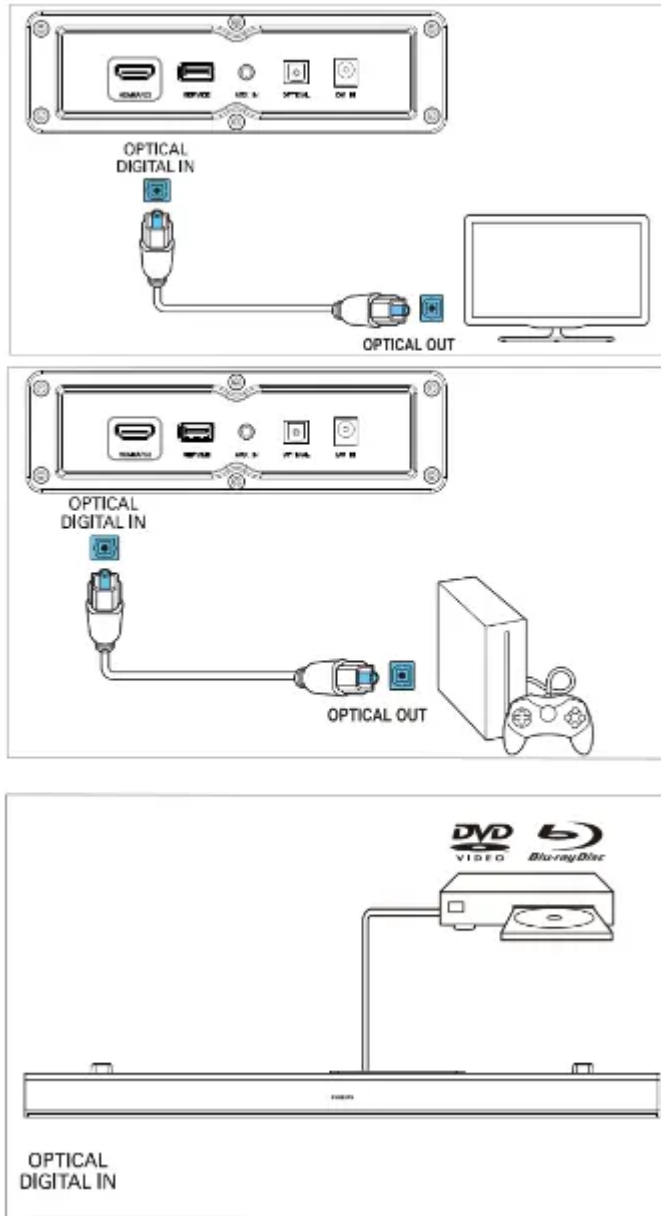
- If no audio is heard from the Subwoofer or the Subwoofer's indicator does not show Blue, follow the following steps to reset and pair up the subwoofer again:
 1. Power off the Subwoofer and power on the SoundBar
 2. Long press the "SOURCE" button on the Soundbar for 5 seconds to initiate automatic search.

3. Power on the Subwoofer, its indicator will show blue after blinking red for 8 seconds which means successful pair with the Soundbar.

Connect audio from TV and other devices

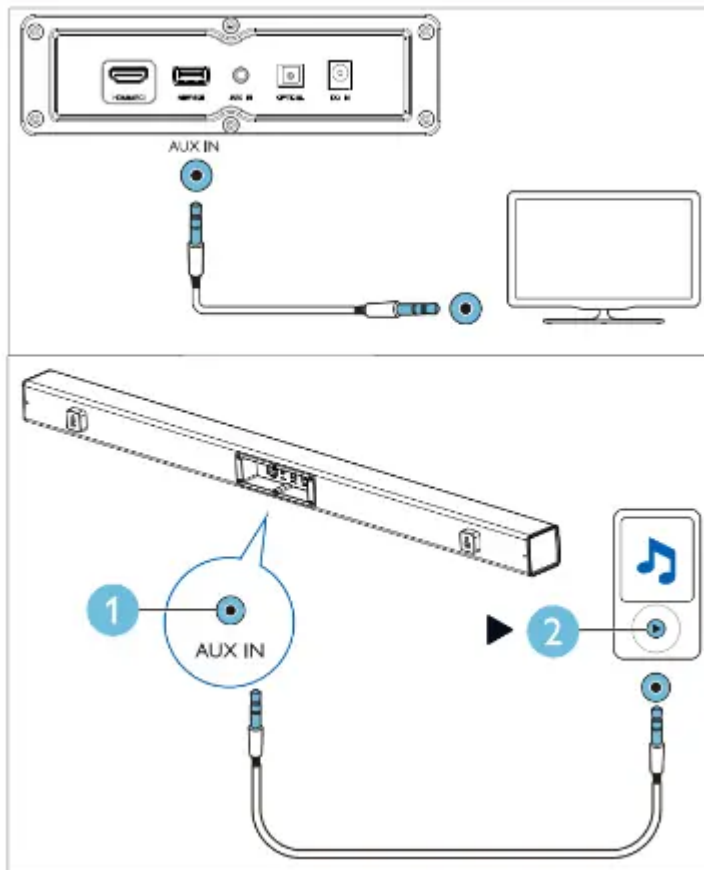
Option 1: Connect audio through a digital optical cable

Best quality audio



1. Using an optical cable, connect the OPTICAL connector on your SoundBar to the OPTICAL OUT connector on the TV or other device.
 - The digital optical connector might be labeled SPDIF or SPDIF OUT.

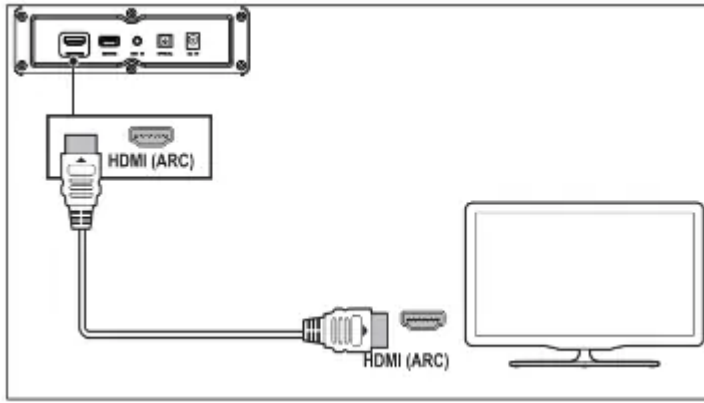
Option 2: Connect audio through a 3.5mm stereo audio cable



1. Using a 3.5mm stereo audio cable, connect the LINE IN connector on your SoundBar to the LINE connector on the TV or other device.

Option 3: Connect to HDMI (ARC) Socket

Your Soundbar supports HDMI with Audio Return Channel (ARC). If your TV is HDMI ARC compliant, you can hear the TV audio through your Soundbar by using a single HDMI cable.



1. Using a High Speed HDMI cable, connect the HDMI OUT (ARC)-TOTV connector on your Soundbar to the HDMI ARC connector on the TV.

- The HDMI ARC connector on the TV might be labeled differently. For details, see the TV user manual.

2. On your TV, turn on HDMI-CEC operations. For details, see the TV user manual.

Use your SoundBar

This section helps you use the SoundBar to play audio from connected devices.

Adjust the volume

1. Press +/- (Volume) to increase or decrease a volume level.

- To mute sound, press 
- To restore the sound, press  again or press +/- (Volume).

Volume indicator

- When you press the volume+ to increase the volume, the SoundBar's indicator will blink red, and the volume will return to the normal state after it reaches the maximum with the SoundBar's indicator showing solid red for 2 seconds.
- When you press the volume- to decrease the volume, the SoundBar's indicator will blink red, and the volume will return to the normal state after it reaches the minimum with the SoundBar's indicator showing solid red for 2 seconds.

MP3 player

Connect your MP3 player to play your audio files or music.

What you need

- An MP3 player


- A 3.5mm stereo audio cable.
1. Using the 3.5mm stereo audio cable, connect the MP3 player to the AUDIO IN connector on your SoundBar
 2. Press AUDIO IN on the remote control.
 3. Press the buttons on the MP3 player to select and play audio files or music.

Play audio through Bluetooth

Through Bluetooth, connect the SoundBar with your Bluetooth device (such as an iPad, iPhone, iPod touch, Android phone, or laptop), and then you can listen to the audio files stoned on the device through your SoundBar speakers.

What you need

- A Bluetooth device which supports Bluetooth profile A2DP and AVRCP, and with Bluetooth version 4.2 or above.
- The operational range between the SoundBar and a Bluetooth device is approximately 4 meters (13 feet).

1. Press  on the remote control to switch the SoundBar to Bluetooth mode.

↳ The soundbar's indicator blinks blue.




2. On the Bluetooth device, switch on Bluetooth, search for and select Philips HTL1520B to start connection (see the user manual of the Bluetooth device on how to enable Bluetooth).

↳ During connection, the soundbar's indicator blinks blue.

3. Wait until the soundbar's indicator becomes solid blue.

↳ If the connection fails, the indicator blinks continually at a lower rate.

4. Select and play audio files or music on your Bluetooth device.

- During play if a call is coming, music play is paused.
- If your Bluetooth device supports AVRCP profile, on the remote control you can press  /  to skip to a track, or press  to pause/resume play.

5. To exit Bluetooth, select other source.

- When you switch back to Bluetooth mode, Bluetooth connection remains active.

Auto standby

When playing media from a connected device, this product automatically switches to standby after 15 minutes of button inactivity and no audio play from a connected device.

Apply factory settings

You can reset your SoundBar to the default setting mode.

1. In LINE mode, long press the power key of the remote control for 5 seconds. → The factory settings is restored.

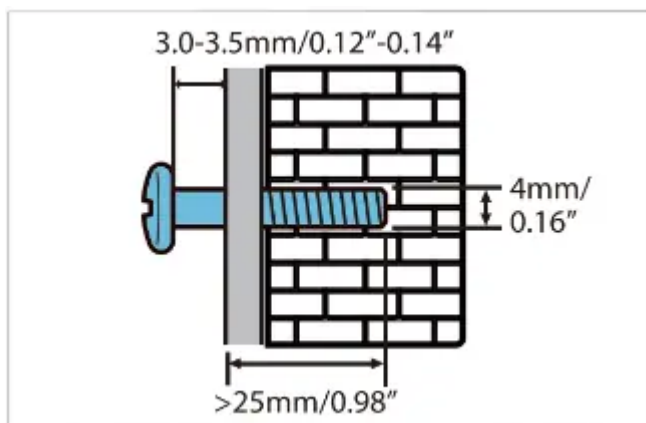
Update software

To continually improve the product, software upgrade may be offered. Visit ww.philips.com/support to check if the latest software version is available.

Wall mount

Screw length/diameter

Depending on the type of wall mounting your SoundBar; make sure that you use screws of a suitable length and diameter



See the illustration in the quick start guide on how to wall mount the SoundBar;

1. Drill two holes on the wall.
2. Secure the dowels and screws in the holes.
3. Hang the SoundBar on the fastening screws.

Product specifications

Amplifier

- RMS total output power: 70W RMS (+/- 0.5 dB, 10%THD)
- Frequency response: 50 Hz-15 kHz / ± 3 dB
- Signal-to-noise ratio: 65dB (CCIR) / (A-weighted)
- Total Harmonic Distortion: <1%

- Input sensitivity:
 - LINE IN: 450mV +/-50mV

Audio

- S/PDIF Digital audio input:
- Optical:TOSLINK Sampling frequency:

Bluetooth

- Bluetooth profiles: A2DRAVRCP
- Bluetooth version: 4.2
- Frequency band/Output power: 2402-2480MHz/<20 dBm

Main unit

Soundbar

- Power supply: 100-240V~, 50/60 Hz
- Power consumption: 15V/1,6A
- Standby power consumption: <0.5W
- Dimensions (W x H x D): x 63 x 76.5 mm Weight: 1.42kg
- Built-in speakers: 2 x full range (52 mm/2", 4 ohm)

Subwoofer

- Power supply: 100-240V~, 50/60 Hz
- Power consumption: 20W
- Standby power consumption: <2W
- Dimensions (W x H x D): x 252 x 205 mm
- Weight: XX kg
- Built-in speakers: 1 x low frequency (118 mm/4.5", 6 ohm)

Remote control batteries

- 1x AAA-R03-1.5 V

Standby information

- When the product remains inactive for 15 minutes, it automatically switches to standby or networked standby.
- When the product (soundbar or subwoofer) remains standby information, the power consumption in standby is less than 2W.

- To deactivate Bluetooth connection, press and hold the Bluetooth button on the remote control.
- To activate Bluetooth connection, enable Bluetooth connection on your Bluetooth device.

Troubleshooting

Main unit

The buttons on the SoundBar do not work.

- Disconnect the SoundBar from the power supply for a few minutes, then reconnect.

Sound

No sound from SoundBar speakers.

- Connect the audio cable from your SoundBar to your TV or other devices.
- Reset your SoundBar to its factory settings.
- On the remote control, select the correct audio input.
- Make sure that the SoundBar is not muted.

Distorted sound or echo.

- If you play audio from the TV through the SoundBar make sure that the TV is muted.

Bluetooth

A device cannot connect with the SoundBar.

- The device does not support the compatible profiles required for the SoundBar
- You have not enabled the Bluetooth function of the device. See the user manual of the device on how to enable the function.
- The device is not correctly connected. Connect the device correctly, (see 'Play audio through Bluetooth' on page 10)
- The SoundBar is already connected with another Bluetooth device. Disconnect the connected device, then try again.

Quality of audio play from a connected Bluetooth device is poor.

- The Bluetooth reception is poor Move the device closer to the SoundBar; or remove any obstacle between the device and the SoundBar

The connected Bluetooth device connects and disconnects constantly.

- The Bluetooth reception is poor Move the device closer to the SoundBar; or remove any obstacle between the device and the SoundBar
- Turn off Wi-Fi function on the Bluetooth device to avoid interference.
- For some Bluetooth, the Bluetooth connection can be deactivated automatically to save power This does not indicate any malfunction of the SoundBar

Warning

This content is compiled from multiple sources and is provided for reference purposes only. It may not be complete or fully applicable to all situations. If you are unable to resolve your issue, please contact the product manufacturer or an authorized service provider for official support.

