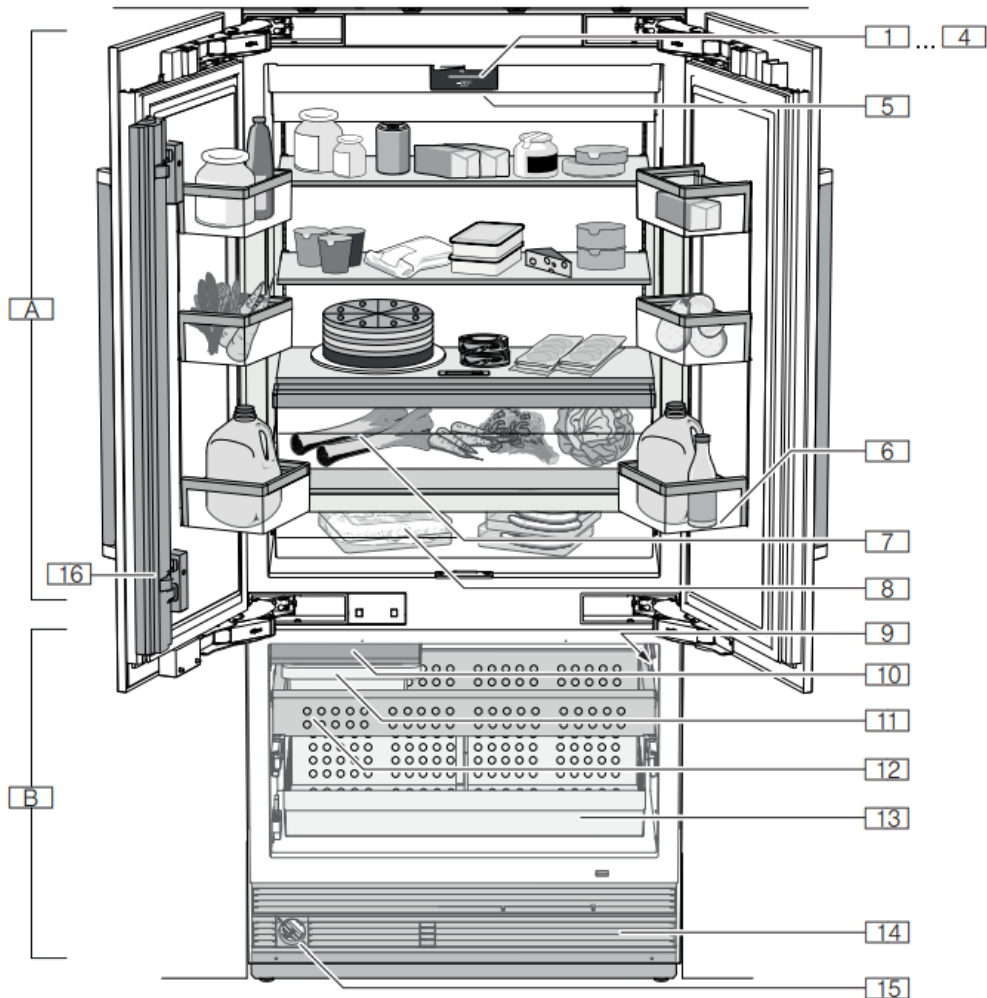


Getting to know your appliance

3-door appliance



A. Refrigerator compartment

B. Freezer compartment

1...4 Operating controls

5. Main On/Off switch

6. Shelf for large bottles

7. Vegetable container with humidity controller

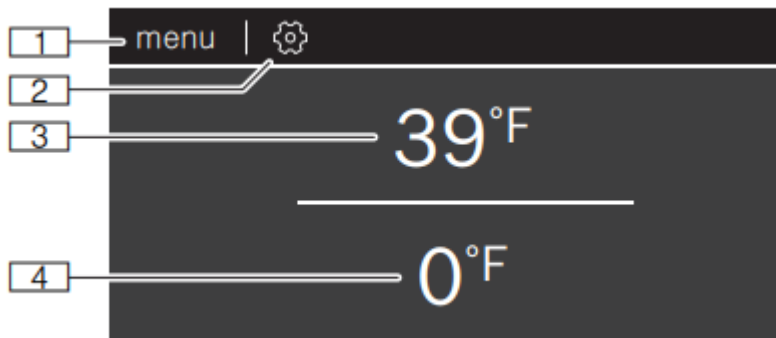
8. Chill compartment

9. Rating plate

10. Ice maker

11. Ice cube container
12. Frozen food container
13. Frozen food container (large)
14. Ventilation opening
15. Water filter
16. Door pillar with condensation protection

Operating controls



1. menu button

Opens mode selection.

2. button

Opens the Settings menu. → "Settings" on page 10

3. Refrigerator compartment temperature display

Indicates the set temperature in °C/°F

4. Freezer compartment temperature display

Indicates the set temperature in °C/°F.

Operating the appliance

Switching the appliance on

1. Press the main On/Off switch. The appliance starts cooling and the light is switched on when the door is open.
2. Set the required temperature. → "Setting the temperature" on page 13

Operating tips

- When the appliance has been switched on, it may take several hours until the set temperatures have been reached. Do not put in any food until the selected temperature has been reached.
- The fully automatic NoFrost system ensures that the freezer compartment remains free of ice. Defrosting is not required.
- The front sides of the housing are partly heated slightly. This prevents condensation in the area of the door seal.
- If the freezer compartment door cannot be immediately re-opened after it has been closed, wait until the resulting low pressure has equalized.

Switching off and disconnecting the appliance

Switching off the appliance

- Press the main On/Off switch.

The appliance is no longer cooling.

Disconnecting the appliance

If you do not use the appliance for a prolonged period:

1. Turn off the water supply to the appliance and wait 3 hours.
2. Remove groceries.
3. Press the main On/Off switch
4. Pull out the mains plug or switch off the fuse. The appliance is no longer cooling.
5. Empty the ice cube container and clean the appliance. → "Cleaning" on page 19
6. Leave appliance open.

Setting the temperature

Recommended temperature

Cooling compartment: +39 °F (+4 °C)

Freezer compartment: 0 °F (−18 °C)

Setting the refrigerator and freezer compartment temperature

1. Select the required compartment by tapping the temperature display.
2. Move the displayed temperature to the required value
3. Return to the main screen with the < button. If the button is not pressed, the appliance saves the setting and automatically returns to the main screen after a few seconds.

Super cooling

Super cooling cools the refrigerator compartment as cold as possible.


Switch on super cooling, e.g.:

- Before placing large quantities of food into the compartment
- For cooling drinks quickly

Note: When super cooling is switched on, increased operating noises may occur.

After approx. 6 hours, the appliance switches to normal operation.

Switching super cooling on or off

1. Select the refrigerator compartment by tapping the temperature display.
2. Tap  button.

When the function is switched on, a pop-up window appears, explaining the function.

3. Tap Continue.

The pop-up window is closed, and you return to the main screen.

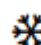
Super freezing

Super freezing cools the freezer compartment as cold as possible.

Switch on super freezing, e.g.:

- to quickly freeze food right through to the center
- 4 ... 6 hours before freezing food weighing 2 kg or more

Switching super freezing on or off

1. Select the freezer compartment by tapping the temperature display.
2. Tap  button.

When the function is switched on, a pop-up window appears, explaining the function.

3. Tap Continue.

The pop-up window is closed, and you return to the main screen.

Eco mode

Eco mode switches the appliance to energy-saving operation.

The appliance automatically sets the following temperatures:

- Refrigerator compartment: +43 °F (6 °C)
- Freezer compartment: +3 °F (-16 °C)

Vacation mode

If leaving the appliance for a long period, you can switch it over to energy-saving vacation mode.

Do not store any food in the refrigerator compartment during this time.

The appliance automatically sets the following temperatures:

- Refrigerator compartment: +57 °F (+14 °C)
- Freezer compartment: unchanged Ice cube production is deactivated.

Sabbath mode

All non-essential functions are switched off so you can also use the appliance on the Sabbath.

Once Sabbath mode is switched on, you can also use the appliance on the Sabbath.

- You can select a time between 1–96 hours.
- After the selected time elapses, the appliance switches to normal operation.
- To end Sabbath mode before the selected time elapses, touch the display and tap Switch off.

The appliance switches off the following:

- Ice maker
- Audible signals
- Interior light
- Messages on the display
- Background illumination of display is reduced

Switching ice cube production on or off

Ice cube production starts as soon as the appliance has reached the set temperature.

Note: Ice cube production stops automatically when the ice cube container is full.

Switching Prevent condensation on or off

This function is only available with 3-door appliances. 3-door appliances are equipped with a door pillar featuring condensation protection. You can open the left-hand door of the refrigerator compartment without opening the right-hand door beforehand.

A heater is built into the door pillar to prevent condensation. Switching condensation protection on or off switches the heater on and off . → "Condensation protection (only on 3-door appliances)" on page 10

Home Connect

Setting up Home Connect

Setting up the connection to the home network (WLAN)

The first time you open the menu, you will be automatically guided through initial setup. Follow the instructions on the control panel.

1. Install the Home Connect app on your mobile device.
2. Open the Home Connect menu on your refrigerator.
3. Open the app on your mobile device.
4. Log in or register with the app if access is not yet available.
5. Check the router of your home network to see if a WPS function is available for automatic connection.
6. If this function is available, start automatic network connection and follow the instructions on the control panel.
7. Start manual network connection if this function is not available, if you're not sure whether the function is available, or if automatic network connection failed. The refrigerator temporarily generates its own network for connecting the mobile device.
8. Start manual network connection in the app of your mobile device.

As soon as the refrigerator is connected to the mobile device, a connection between the refrigerator and your home network (WLAN) is established.

Note: If the connection cannot be established, check whether there is sufficient reception.

Verifying signal strength

The signal strength is displayed on the control panel. The signal strength should be at least 1 bar in addition to the dot. If the signal strength is too weak, the connection may be interrupted temporarily

Improving signal strength

- Place the router closer to the refrigerator.
- Check that screening walls do not interfere with the connection.
- Install a repeater to make the signal stronger.

Connecting the refrigerator to the Home Connect app

Use this menu to connect your refrigerator to mobile devices.

1. Install the Home Connect app on your mobile device and log in or register.
2. Open the Home Connect menu on your refrigerator.

3. Tap menu item Connect to app.
4. Confirm the prompt to display the refrigerator in the app.
5. Open the app and wait until the refrigerator is displayed. Press Add to confirm the connection between the app and the refrigerator. If the refrigerator is not automatically displayed, click on Add appliance in the app and follow the instructions. As soon as your refrigerator is displayed, add it with +.
6. Follow the instructions in the app until the process is complete.

Installing updates for the Home Connect software

The refrigerator checks at regular intervals whether updates are available for the Home Connect software.

The note window appears on the control panel when an update is available.

To install the update, tap Install now.

Install the update later:

1. Open the Home Connect menu.
2. Tap Software update. Note: This menu is only visible if an update is available. A note window appears.
3. To install the update, tap Install now.

Switching the WiFi connection on or off

1. Open the Home Connect menu on your refrigerator.

Note: The first time you open the menu, you will be automatically guided through initial setup. Follow the instructions on the control panel.

2. Select Switch off Wi-Fi.
3. To start the switching off process, press Continue.
4. As soon as the connection to the home network has been switched off, the message Wi-Fi switched off will appear. Press OK to confirm the message.

Note: While the home network connection is switched off, you will no longer be able to operate the appliance with your mobile device.

Cleaning

Cleaning the display

The change in temperature and humidity can cause the controls to steam up.

Use a clean micro-fiber cloth for cleaning.

Cleaning the appliance interior

Proceed as follows:

1. Press the main On/Off switch.
2. Take out food and store in a cool location. Place ice pack (if available) on the food.
3. Clean the appliance with a soft cloth, lukewarm water and a little pH-neutral washing-up liquid.
4. Wipe door seal with clear water and dry thoroughly with a cloth.
5. Switch appliance back on and put in food.

Cleaning the fittings

To clean, take the variable parts out of the appliance.

Care instructions for stainless steel surfaces

When taking care of and cleaning stainless steel surfaces, use only cleaning agents suitable for stainless steel and a stainless steel cleaning cloth.

You can purchase a suitable stainless steel cleaning cloth from customer service.

To prevent visible scratches, clean the stainless steel surface in the direction of the structure.

Faults – what to do?

Before you call customer service, use this table to check whether you can rectify the fault yourself.

Appliance

Temperature differs greatly from the set value.	
	<p>Switch off appliance for 5 minutes. → "Switching off and disconnecting the appliance" on page 13</p> <p>If the temperature is too warm, check temperature again after a couple of hours.</p> <p>If the temperature is too cold, check temperature again on the following day</p>
Displays do not illuminate.	
The mains plug has not been inserted properly.	Connect the mains plug.
The fuse has tripped.	Check the fuses.
The power has failed.	Check whether the power is on.
The refrigeration unit is switching on more frequently and for longer.	
The appliance was opened frequently.	Do not open the appliance unnecessarily.
The ventilation openings are covered up.	Remove obstacles.
Large quantities of fresh food have been put in.	Switch on super cooling promptly in advance.
Appliance is not cooling, display and lighting are lit.	
Demo mode is switched on.	Switch demo mode off. → "Settings" on page 10

Ice maker

The ice maker is not functioning.	
Ice cube production is switched off.	Switch on ice cube production.
Freezer compartment is too warm.	Set the temperature lower. → "Operating the appliance" on page 13
Ice cube container is not properly inserted.	Insert ice cube container fully.
Ice maker without power.	Call customer service. → "Customer service" on page 23
No water supply.	Check water connection and contact technician if necessary.
Low water pressure.	Only connect appliance to pipes with sufficient water pressure.
Kink in water hose.	Turn off water supply, straighten out kink. Replace water hose, if necessary.
Too few or deformed ice cubes, water pressure lower than usual.	
After switching on or removing many ice cubes, there will be too few in the ice cube container.	It takes around 24 hours for an empty ice cube container to fill up.
Ice cube production stops even though the ice cube container is still not full.	Do not store the ice shovel on the ice in the ice cube container. Otherwise, the sensor will not detect the actual fill level of the container.
Low water pressure.	Only connect appliance to pipes with sufficient water pressure.
The water filter is blocked or needs to be replaced.	Replace water filter.
Freezer compartment is too warm.	Set the temperature lower. → "Operating the appliance" on page 13
Water is leaking out of the appliance.	

<p>Water connection is not tight.</p>	<p>Check if the connections are fastened firmly and the water hose is undamaged.</p> <p>If the water hose is damaged, contact customer service and have it replaced. Replacement must be performed by customer service or a similarly qualified person only. Use original parts supplied by the manufacturer only.</p>
---------------------------------------	--

Warning

This content is compiled from multiple sources and is provided for reference purposes only. It may not be complete or fully applicable to all situations. If you are unable to resolve your issue, please contact the product manufacturer or an authorized service provider for official support.

