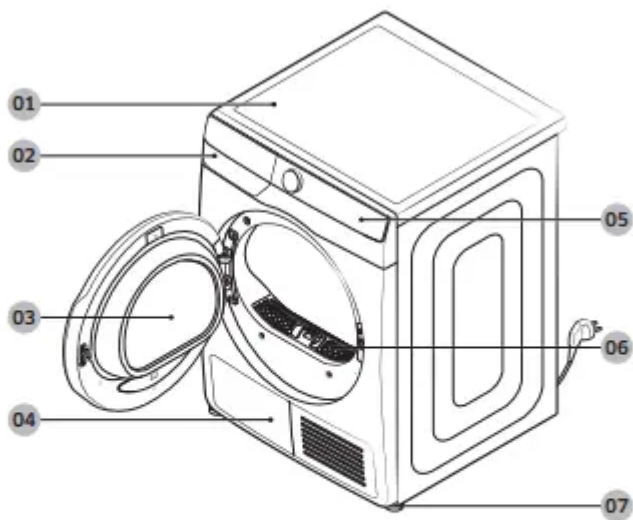


## User Manual

### What's included

Carefully unpack the dryer. Keep all packaging materials away from children. The parts and location of parts shown below may differ from your dryer. Before installation, make sure the dryer has all the parts listed here. If the dryer and/or parts are damaged or missing, contact the nearest Samsung customer service center.

### Dryer at a glance

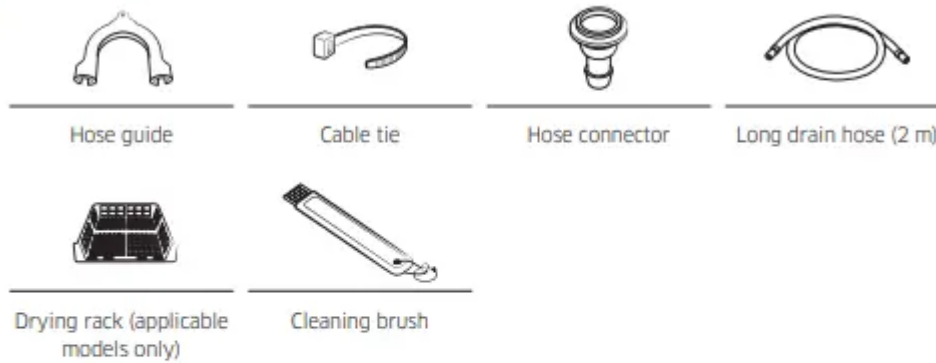


---

**01** Top cover  
**03** Door  
**05** Control panel  
**07** Levelling feet

**02** Water tank  
**04** Heat exchanger  
**06** Lint filter

### Accessories (supplied)



### Accessories (not supplied)



### NOTE

- For stacking instructions with the dryer, see the installation manual included in the stacking kit.
- For information on which stacking kit model you can use to stack your dryer on the washing machine, see the user manual included in your Samsung washing machine.

## Installation

Follow these instructions carefully to ensure proper installation of the dryer and prevent accidents when doing laundry.

### Installation requirements

#### Electrical and grounding requirements

- The dryer requires an AC 220-240 V / 50 Hz electrical supply.
- The dryer must be properly grounded. If the dryer malfunctions or breaks down, grounding reduces the risk of electric shock by providing a path of least resistance for the electric current. The dryer comes with a power cord that has a 3-prong grounding plug. The plug must be plugged into an appropriate outlet that is properly installed and grounded in accordance with all local codes and ordinances.
- If you have any questions regarding the electrical or grounding requirements, please contact Samsung or a qualified electrician.

## WARNING

- Plug into a grounded, 3-prong outlet.
- Do not use a damaged power plug, cord, or loose or damaged wall outlet.
- Do not use an adapter or an extension cord.
- Improper connection of the equipment-grounding conductor may result in electric shock. If you are unsure if the dryer is properly grounded, check with a qualified electrician.
- Do not modify the power plug, power cord, or power outlet in any way.
- Do not connect the ground wire to plastic plumbing lines, gas lines, or hot water pipes.

## Alcove installation

Minimum clearance for stable operation:

- Sides: 25 mm, Top: 25 mm, Rear: 50 mm, Front: 490 mm

If installing the dryer with a washing machine, the front of the alcove or closet must have an unobstructed air opening of at least 550 mm

## Step-by-step installation

### STEP 1 Select a location

Location requirements:

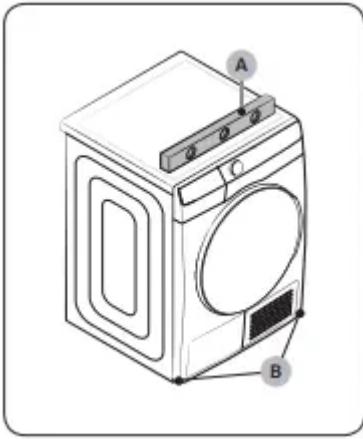
Select a level, well-constructed surface that will withstand vibrations. Select a location where a grounded, 3-prong outlet is easily accessible.

## WARNING

- Install the dryer indoors only.
- Do not install the dryer in areas exposed to the weather.
- Do not install the dryer where the temperature may fall below 5 °C or rise above 35 °C.
- Do not install the dryer where gas may leak.
- Do not block the cooling grill's air inlet located at the dryer front.

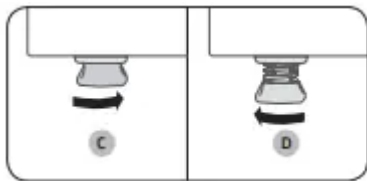
### STEP 2 Adjust the levelling feet

1. Gently slide the dryer into the desired location.
2. Use a level (A) and check the levelness of the dryer from side to side and front to back.
3. If the dryer is not level, turn the levelling feet (B) left or right to adjust the height.
4. Once the dryer is level, make sure the dryer stands firmly on the floor.
5. Plug in the dryer.



#### NOTE

- To set the dryer to the same height as the washing machine, turn the levelling feet to the right until it fully retracts (C). Then, turn the levelling feet to the left to extend (D) it until the dryer and the washing machine are the same height.
- Extend the levelling feet only as much as necessary. Extending the levelling feet more than necessary can cause the dryer to vibrate.

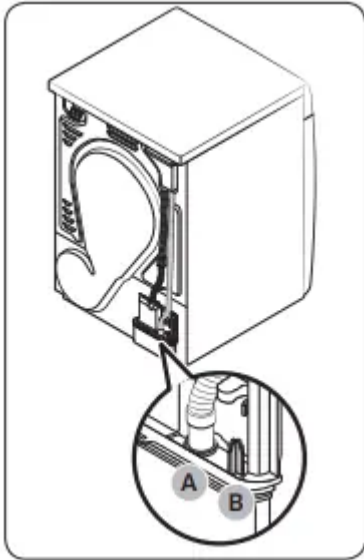


#### STEP 3 Drain hose

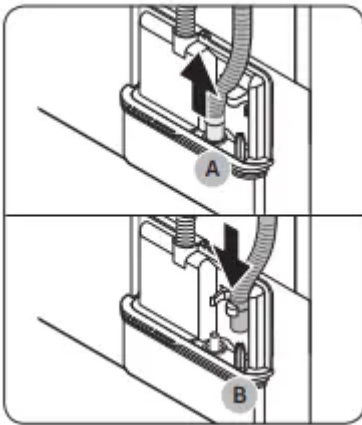
- We strongly recommend connecting the drain hose to your drainage system.
- If the drain hose connected on the dryer is too short to reach the drainage system, use the provided accessory hose (long drain hose).
- Use the built-in water tank only if you cannot connect the drain hose to a drainage system.

#### NOTE

As a factory default, this dryer is set to use the built in water tank to drain condensed water.

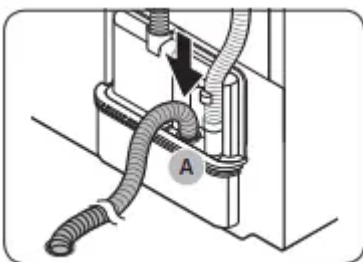


1. Remove the drain hose from hole (A), and insert it into part (B)



2. Insert one end of the accessory hose (long drain hose) into hole (A).

3. Insert the other end (outlet) of the accessory hose to the drainage system in one of the following ways:



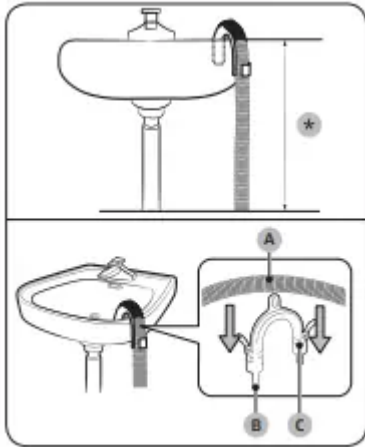
**Over a wash basin:**

1. Make sure to place the end of the accessory hose lower than 90 cm (\*) from the bottom of dryer.
2. To bend some point of the accessory hose, use the supplied plastic hose guide (B) and secure the guide to the wall with a hook or to the tap with a piece of string. Assemble the drain hose (A) and the hose guide (B) and fix them with the cable-tie (C).



3. You can drain the condensed water by connecting the accessory hose (long drain hose) to the drain-outlet directly.

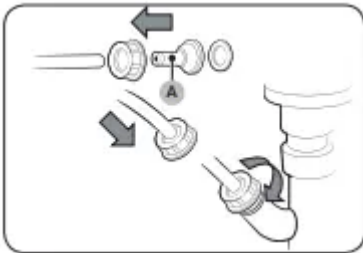
**CAUTION** Do not extend the drain hose. Water may leak from the connected area. Use a long drain hose.



**By using the drain pipe of the wash basin:**

1. Assemble the hose connector (A), and attach it to the end of the accessory hose as shown.


**CAUTION** To prevent water leak, make sure to connect the hose and the connector firmly.



2. Connect the hose adapter directly to the drain pipe of the wash basin



**STEP 4 Power on**

Plug the power cord into a wall socket protected by a fuse or circuit breaker. Then, tap  to turn on the dryer.

# Operations

## Cycle overview

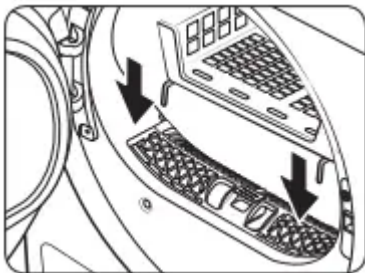
◀ Cotton	For general cotton clothes
Mixed Load	For a mix of cottons & synthetics
Synthetics	For drying synthetic fabrics
Iron Dry	Make ironing easier
Air Wash *	Deodorize & refresh
Hygiene Care *	For a fresh, more hygienic clean
Bedding	For comforters & bedding
Wool	For drying wool garments
Towels	Keep towels fluffy
Delicates	For underwear & delicate items
Outdoor	Care for waterproof items
Shirts	To quickly dry a few shirts
Time Dry	Set a custom drying time
Warm Air	Gentle dry before hanging outside
Cool Air	Dry at room temp for set time
Quick Dry 35'	For cotton & other quick items

\* (\*) applicable models only (DV9\*T62\*\*\*\*/DV8\*T62\*\*\*\*)

## Rack Dry (applicable models only)

Set the drying time up to 150 minutes according to the moisture and weight of the items to dry. When drying laundry using the drying rack, the Time Dry cycle is recommended.

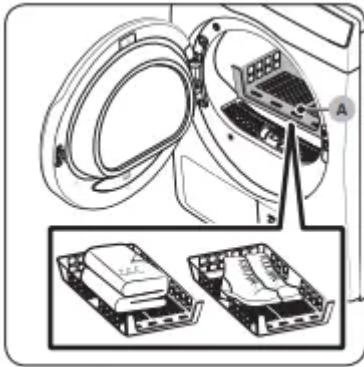
1. Position the drying rack in the drum, inserting the front lips of the rack into the holes of the door diaphragm



2. Place items on the rack, leaving enough space where air can circulate. For clothing items, fold and place flat on the rack. For shoes, place shoes with their soles facing down.

3. Tap and hold ▶|| .

4. Close the door and tap ⏸ . Turn the Navigation dial to select Time Dry, and then tap ⏸ repeatedly to select the drying time.



A. Rack dry

### Drying suggestions

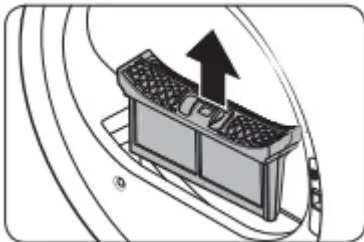
Items (max 1.5 kg)	Description
Washable sweaters (block to shape and lay flat on rack)	When drying the laundry using the rack, fold and place the clothes on the rack to prevent the clothing from becoming wrinkled.
Stuffed toys (cotton or polyester fiber filled)	
Stuffed toys (foam or rubber-filled)	
Foam rubber pillows	
Sneakers	To dry sports shoes, place the shoes on the rack so that the soles of the shoes are facing downwards.

## Maintenance

### Lint filter

Clean the lint filter after each load.

1. Open the door and pull the lint filter upward to remove.



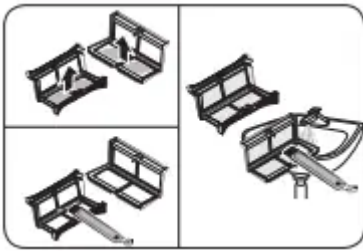
2. Open the outer filter and remove the inner filter (A).



3. Unfold both the inner filter and the outer filter.

4. Remove the lint from both filters, and then clean the filters with the cleaning brush.

NOTE To clean the filters thoroughly, clean the filters in running water, and then dry them completely.



5. Put the inner filter into the outer filter, and then reinsert the lint filter into the original position.



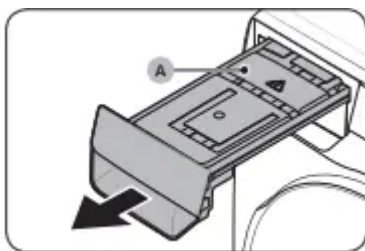
#### CAUTION

- Clean the lint filter after each load. Otherwise, the drying performance may decrease.
- Do not operate the dryer without the inner filter inside the outer filter.
- Using the dryer with a wet lint filter may cause mold, bad odors, or a decrease in drying performance.


#### Water tank

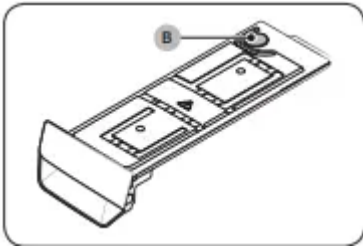
To avoid leaks, empty the water tank after every load.

1. Using both hands, pull the water tank (A) forward to remove.



2. Empty the water through the drain hole (B) and place the water tank back into place.

NOTE If you empty the water tank and tap and hold  , the corresponding indicator turns off



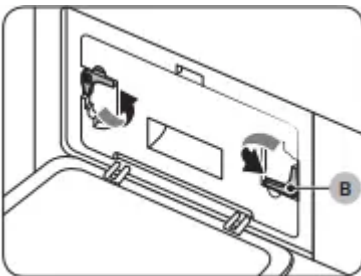
## Heat exchanger

Clean the heat exchanger at least once a month. (or When the Buzzer rings and the heat exchanger indicator lights up on the display.)

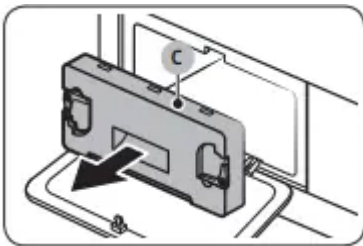
1. Gently press the top part of the outer cover (A) to open.



2. Unlock the fixers (B)



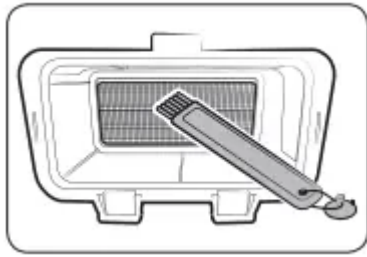
3. Remove the inner cover (C)



4. Clean the heat exchanger with the provided cleaning brush or a vacuum cleaner with a brush attachment. Take care not to bend or damage the heat exchanger fins when cleaning. This may lead to a decrease in drying performance.

### CAUTION

- To avoid physical injury and burns, do not touch or clean the heat exchanger with bare hands.
- Do not use water to clean the heat exchanger.



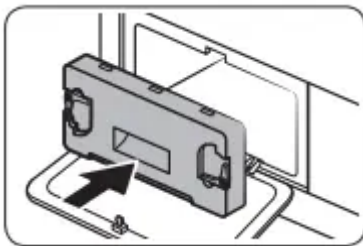
5. Clean the inner cover with a smooth, damp cloth



6. Reinsert the inner cover to its original position, and then lock the fixers.

7. Close the outer cover.

NOTE After cleaning, make sure the fixers are locked



## Troubleshooting

If there is any problem, check the information message on the LCD screen and follow the on screen instructions. If the problem persists, please contact the service center.

### Checkpoints

If you encounter a problem with the dryer, first check the table below and try these suggestions.

#### Dryer does not run

- Make sure the door is completely closed.
- Make sure the power cord is plugged in.
- Check the home's circuit breaker and fuses.
- Empty the water tank.
- Clean the lint filter.

**Dryer does not heat**

- Check the home's circuit breaker and fuses.
- Select a heat setting other than Cool Air.
- Check the lint filter and heat exchanger. Clean them if necessary.
- Dryer may be in the cool-down phase of the cycle.

**Dryer does not dry**

Check the above, plus...

- Make sure the dryer is not overloaded.
- Sort light and heavy items separately.
- Reposition large, bulky items to ensure even drying.
- Check that the dryer is draining properly.
- For small loads, add a few dry towels.
- Clean the lint filter and heat exchanger.

**Dryer is noisy**

- Check for coins, buttons, lighters, etc.
- Make sure the dryer is level and standing firmly on the floor.
- The dryer may hum due to air moving through the drum and fan. This is normal.

**Dries unevenly**

- Seams, pockets, and other parts of clothing are harder to dry than others. This is normal.
- Sort heavy and light items separately.

**Dryer emits an odor**

- The dryer may draw household odors in from the surrounding air and then exhaust them.  
This is normal

**Dryer turns off before the load is dry**

- Dryer load is too small. Add more items and restart the cycle.
- Dryer load is too large. Remove items and restart the cycle.

**Lint on clothes**

- Make sure the lint filter is clean before every load.
- Dry lint-producing items (fuzzy towels) separate from lint trappers, such as black linen pants.
- Divide larger loads into smaller loads.

## Items still wrinkled after Wrinkle Prevent


- Small loads of 1-4 items work best.
- Load fewer items. Load similar type items.

## Odors remain in items after Cool Air

- Make sure to thoroughly wash items with strong odors.

## Specifications

Samsung			
Model Name		DV90T6240** DV90T5240**	DV8**T6220** DV8**T5220**
Capacity	kg	9.0	8.0
Type		Condenser	Condenser
<b>Energy Efficiency</b>			
A+++ (highest efficiency) to D (least efficient)		A+++	A+++
<b>Energy Consumption</b>			
Annual Energy Consumption (AEC) (Energy consumption is based on 160 drying cycles of the standard cotton programme at full and partial load, and the consumption of the low-power modes. Actual energy consumption per cycle will depend on how the appliance is used.)	kWh/yr	194.0	176.0
Automatic tumble drier		Yes	Yes
Energy consumption (E <sub>dry</sub> ) standard cotton programme at full load	kWh	1.54	1.41
Energy consumption (E <sub>dry,1/2</sub> ) standard cotton programme at partial load	kWh	0.89	0.80
off mode and left-on mode			
The power consumption off-mode (P <sub>o</sub> ) at full load	W	0.50	0.50
The power consumption in left-on mode (P <sub>l</sub> ) at full load	W	5.00	5.00
Duration of the left-on mode	min	10	10

Programme to which the information on the label and the Sheet relate ('standard cotton programme' used at full and partial load is the standard drying programme to which the information in the label and the fiche relates. This programme is suitable for drying normal wet cotton laundry and it is the most efficient programme in terms of energy consumption for cotton. Consumption data can vary from the nominal values given above depending on the size of the load, types of textiles, residual moisture levels after spinning, fluctuations in the electricity supply and any extra options selected.)	 Cotton + Dry Level 2 + (Wrinkle Prevent Off)		
programme duration of the standard program			
Weighted Programme time standard cotton programme at full load and partial load	min	174	160
Programme Time (T <sub>dry</sub> ) standard cotton programme at full load	min	220	200
Programme Time (T <sub>dry,1/2</sub> ) standard cotton programme at partial load	min	140	130
condensation efficiency class			
A (most efficient) to G (least efficient)		B	B
Average condensation efficiency at full load	%	87	87
Average condensation efficiency at partial load	%	87	87
Weighted condensation efficiency	%	87	87
<b>Airborne noise emissions</b>			
Dry at full load	dB (A) re 1 pW	63	63

### Warning

This content is compiled from multiple sources and is provided for reference purposes only. It may not be complete or fully applicable to all situations. If you are unable to resolve your issue, please contact the product manufacturer or an authorized service provider for official support.

---

Document generated by [ManualsFile](#)

