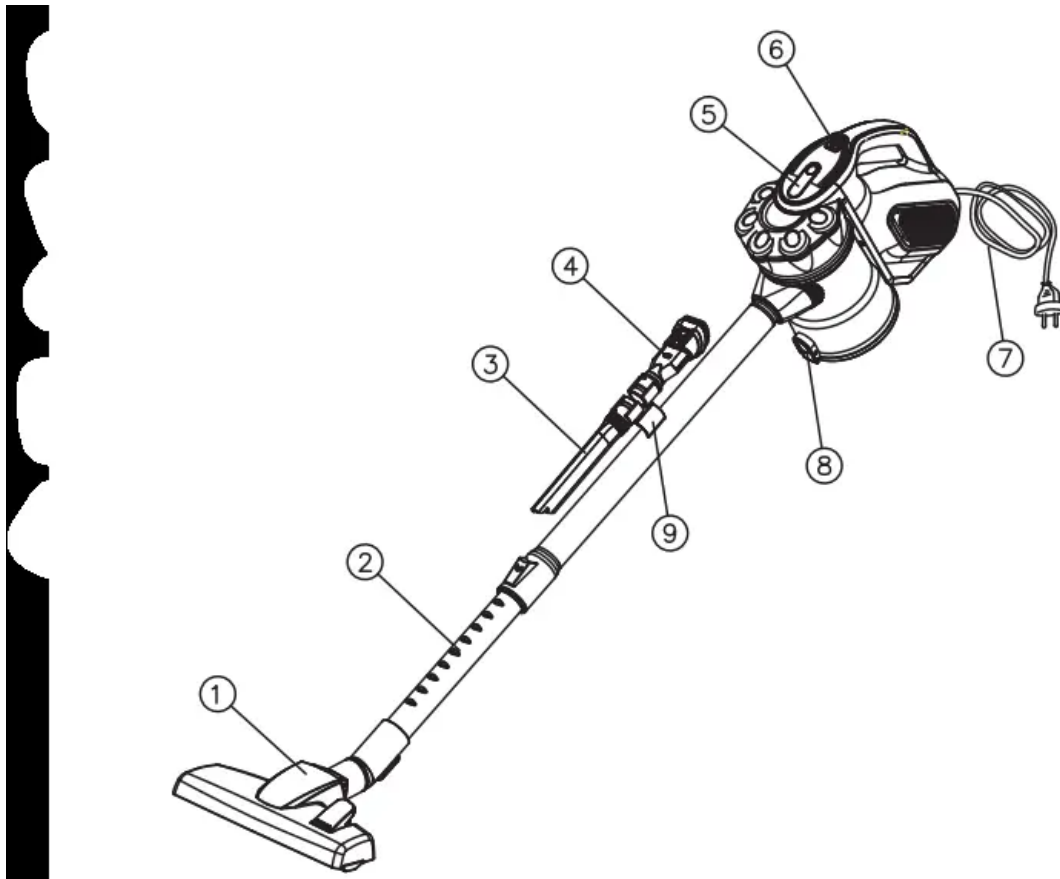


PRODUCT SPECIFICATION

Dust Collection	Bagless	Power Cord	20fts
Power	600W	Use	Dry
Rated Voltage	AC120V~60Hz	Working Sound-Level	80dB
Dust Cup	1 ltrs	Main Body Weight	5 lbs

Note: Due to the norm of running motor, higher temperature may be caused while using.

PRODUCT COMPONENTS



1. Rotatable cleaner head
2. Retracted tube
3. Long crevice
4. 2-in-1 brush
5. Dust container release button
6. Power switch

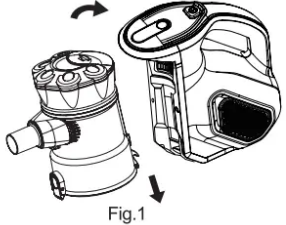
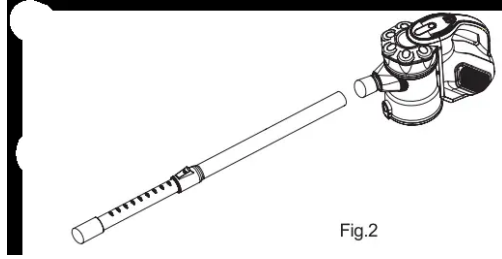
- 7. Power cord
- 8. Dust release button
- 9. Accessories hook

Packing list:

Item Name	Quantity	Item Name	Quantity
Main Body (includes dust container with HEPA, motor and handle with power cord)	1	Retracted Tube	1
Cleaner Head (for hardfloor and carpet)	1	Long Crevice	1
2-in-1 Brush	1	Thank You Card	1
Accessories Hook	1	User Manual	1

OPERATING INSTRUCTION

Note: Always remove the power plug from the electrical outlet before assembling or removing accessories. Assembling the main body

 <p style="text-align: center;">Fig.1</p>	<p>Install the dust container by inserting its clip into the handle's slot. then hear a click to secure in place. (Fig. 1)</p>
<p>Push the retracted tube into the suction hole opening (Fig.2)</p>	 <p style="text-align: center;">Fig.2</p>

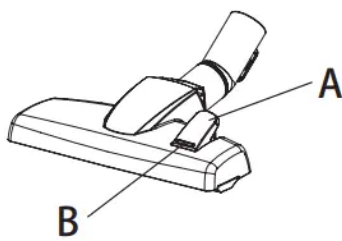
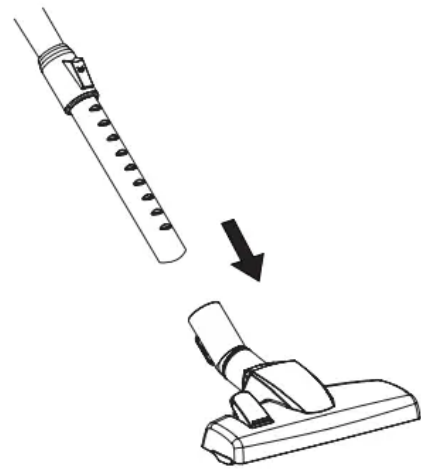


Adjust the length of the retracted tube by pushing the locking button down and pulling out the bottom section of the tube to a suitable length. (Fig. 3)

Use the accessories

Cleaner head

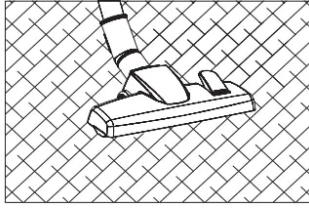
- Insert the upper hose of cleaner head into the tube. (Fig. 4)



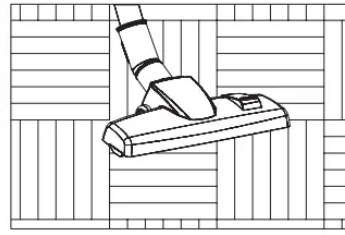
Switching between the two settings by pressing the change button:

Press A: When cleaning hard floor such as parquet and tiles, the nozzle brushes should be extended.

Press B: When cleaning carpet or mat, the brushes should be retracted into the nozzle.



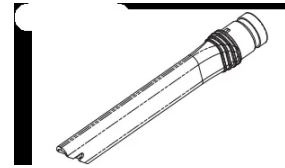
Cleaning Carpet



Cleaning hard floor

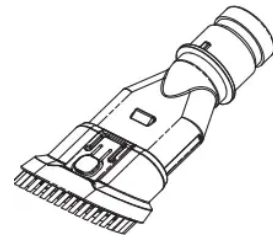
Long crevice

Recommend use for narrow space such as a gap, which makes your cleaning work faster and easier.



2-in-1 brush

Recommend use for keyboard, curtain, dining-table etc.

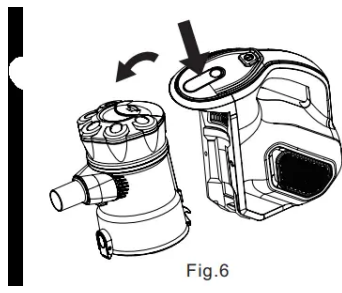
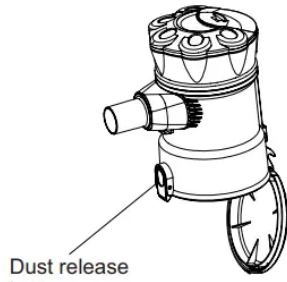


OPERATING THE VACUUM

1. Insert the power plug into electrical outlet
2. Turn on the appliance by pressing the power switch
3. Start vacuuming
4. Turn off the appliance by pressing the power switch again

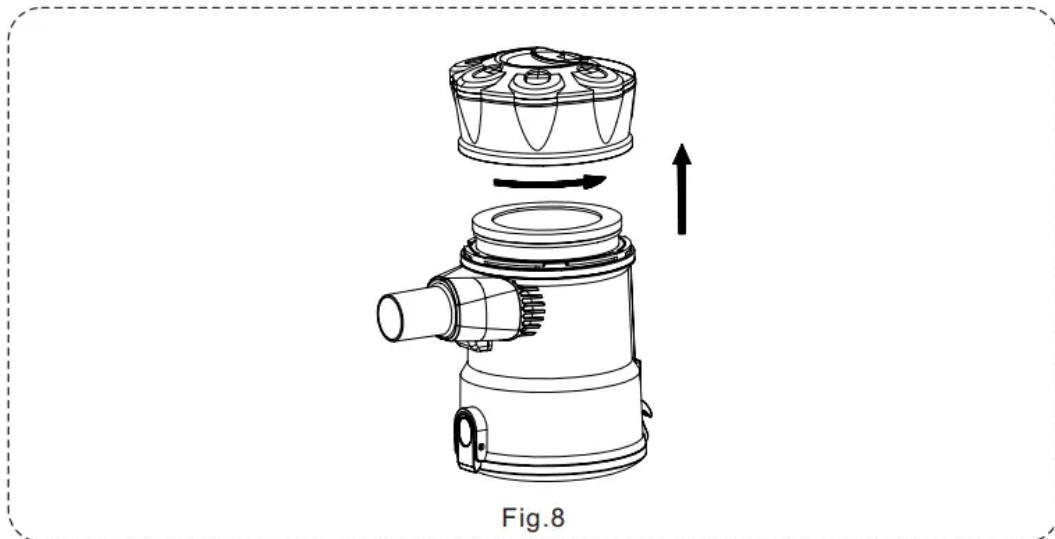
MAINTAINING THE VACUUM

Cleaning the dust container

<p>1. Press the dust container release button and detach the dust container from the handle part (Fig. 6)</p>	 <p>Fig.6</p>
 <p>Dust release button</p> <p>Fig.7</p>	<p>1. Over a waste bin, press the dust release button to open the bottom cover and expel any dust, dirt, and debris.</p> <p>Wipe clean only, do not submerge the dust container in water.</p> <p>(Fig-7)</p>

Cleaning the sponge inlet filter:

1. Detach the dust container from the handle part
2. Twist the lid of the dust container anticlockwise to open (Fig.8)



3. Remove the sponge inlet filter from the top of the dust container.(Fig.9)

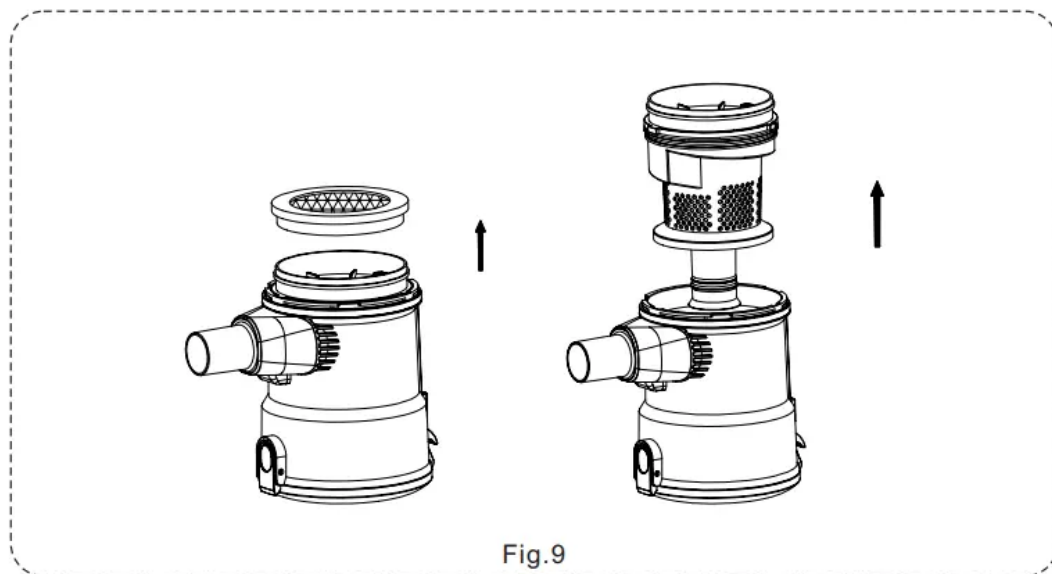


Fig.9

4. Rinse thoroughly under clean fresh water. Do not use soap or other detergent.

5. Allow filter to dry naturally before placing back into the dust container.

*** Do not place on radiators or use additional appliances, such as a hair dryer, to dry the filter.**

Doing so may cause warp or other irreparable damage to the filter.

TROUBLESHOOTING

PROBLEM	POSSIBLE REASON	POSSIBLE SOLUTION
Appliance doesn't work	1. No power in electrical outlet or supply transformer.	1. Check fuse or breaker. Replace fuse/reset breaker.
Doesn't pick up debris or weak suction	1. Dust container container is full. 2. Sponge inlet filter is filled with dust.	1. Empty dust container. 2. Remove sponge inlet filter, clean or replace it.
Dust falls out from the inner tube	1. Dust container is full. 2. Sponge inlet filter is not installed correctly. 3. Sponge inlet filter is badly punctured or has big hole.	1. Empty dust container. 2. Install sponge inlet filter in place by following corresponding instruction. 3. Replace sponge inlet filter.

SAFETY INSTRUCTION

1. This appliance is intended only for household use. Follow all user instructions in this manual.
2. Do not immerse any part of this appliance in water or other liquids.
3. This appliance can be used by children aged from 8 years old or above and individuals with reduced physical, sensory or mental capabilities or lack of experience and knowledge if they have been given supervision or instruction concerning use of the appliance in a safe way and understand the hazards involved.
4. Keep all part away from hot surface. Store indoors in a cool and dry place.
5. Do not run this appliance over any power cord.
6. Do not operate with a damaged power cord or plug, or if this appliance has been dropped/ impacted and damaged.
7. To avoid the risk of electric shock, do not disassemble or attempt to repair this appliance. Contact the seller for a replacement if it is defective.

8. Close supervision is necessary for any part being used by or near children, pets or plants
9. Keep clothes, fingers, hair or any parts of human body away from any openings of the appliance or accessories while using.
10. Do not use to pick up flammable or combustible liquids such as gasoline or use in areas where they may be present.
11. Do not pick up anything that is burning or smoking such as cigarette butts, matches or hot ashes.
12. Do not use without the sponge inlet filter in place.
13. When pulling out the power plug from the electrical outlet, grasp the plug, not the cord.
14. Do not leave the appliance plugged in when unattended. Unplug the electrical cord when not in use and before servicing.
15. If the suction opening of this appliance is blocked, switch off and remove the blockages before you start the unit again.
16. Before you start vacuuming, make sure to remove large or sharp objects that might damage the sponge inlet filter.
17. Do not allow to be used as a toy.
18. Use only manufacturer's recommended accessories.
19. Do not pull power cord and, pull it around sharp edges or corners, se it as a handle or close a door on it. Do not run the appliance over power cord.
20. Turn off all controls as applicable before unplugging from electrical outlet.
21. Do not handle plug or vacuum with wet hands or operate without shoes.
22. Do not put any objects into openings. Do not use with any opening blocked. Keep free of dust, lint, hair and anything else that may reduce airflow.
23. Keep your work area well lit. Take extra care when cleaning on stairs.
24. Using improper voltage may result in damage to the motor and possible injury to the user.
Correct voltage is listed on nameplate.
25. This appliance is provided with double insulation. Do not repair yourself to avoid electric shock. Please contact the seller to get original replacement parts.

Warning

This content is compiled from multiple sources and is provided for reference purposes only. It may not be complete or fully applicable to all situations. If you are unable to resolve your issue, please contact the product manufacturer or an authorized service provider for official support.

Document generated by [ManualsFile](#)

