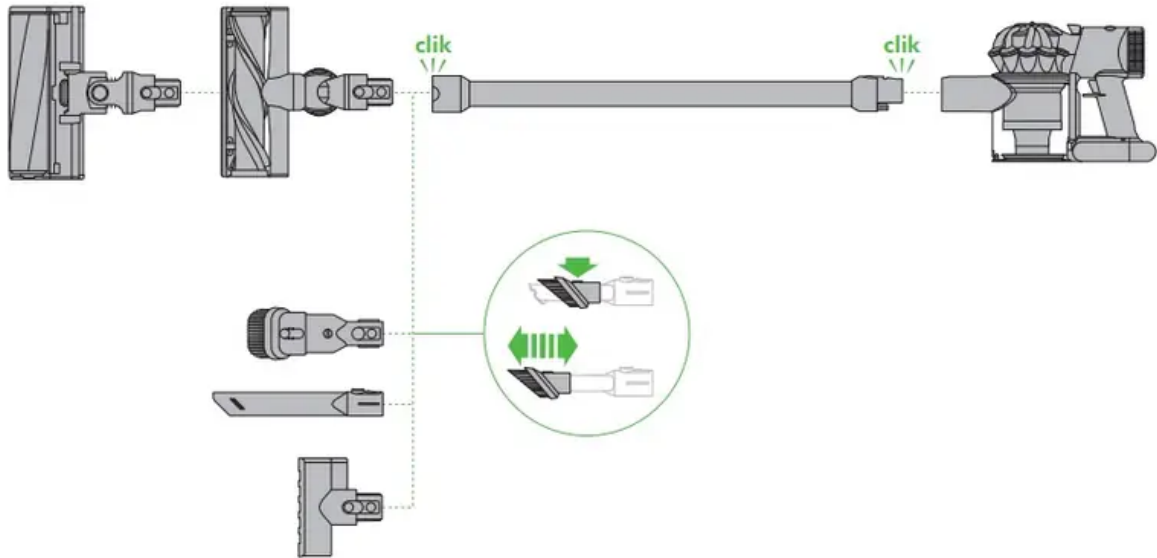
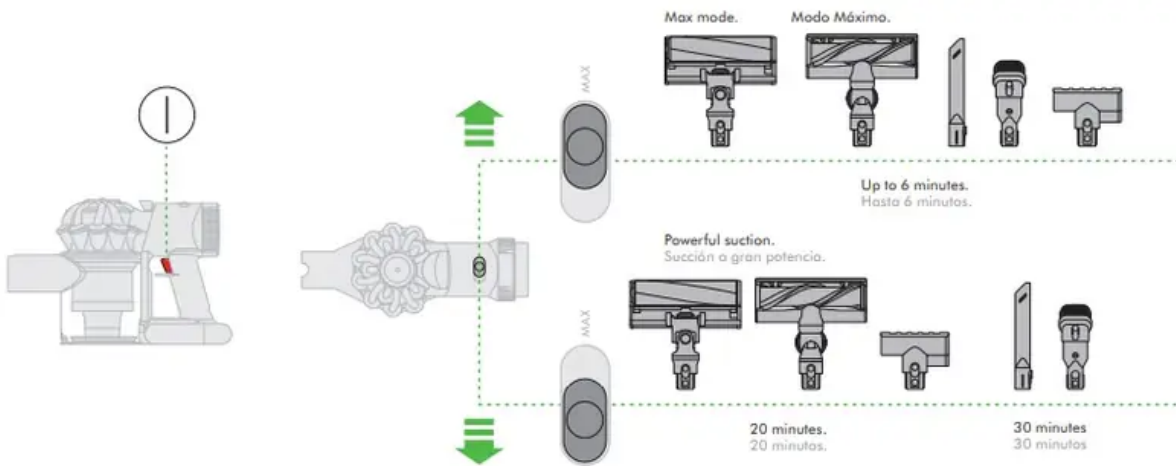
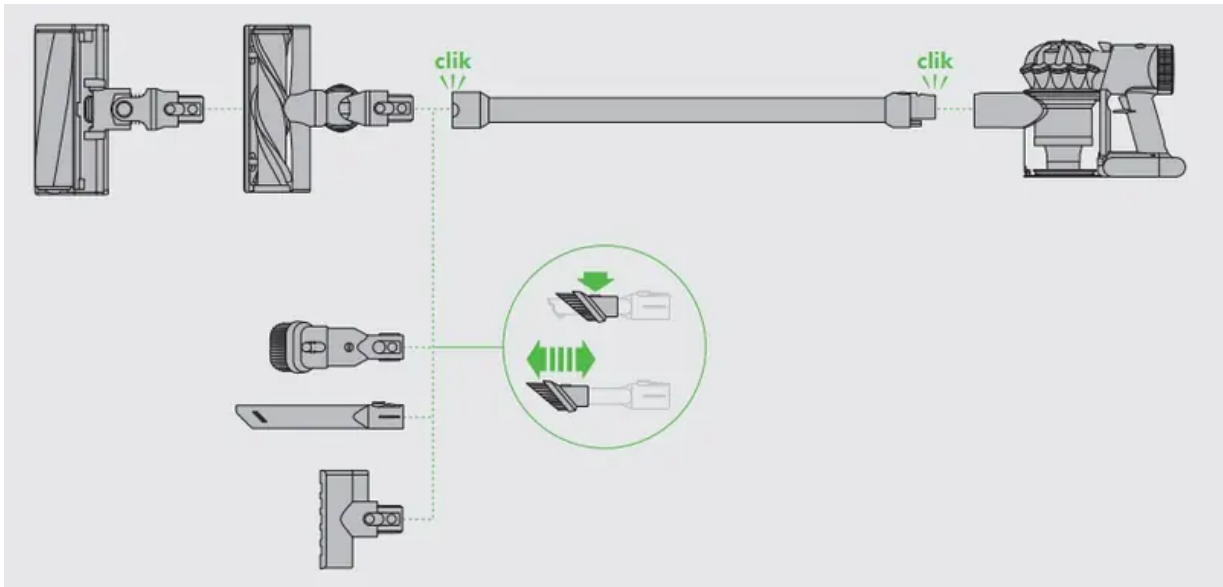


Assembly

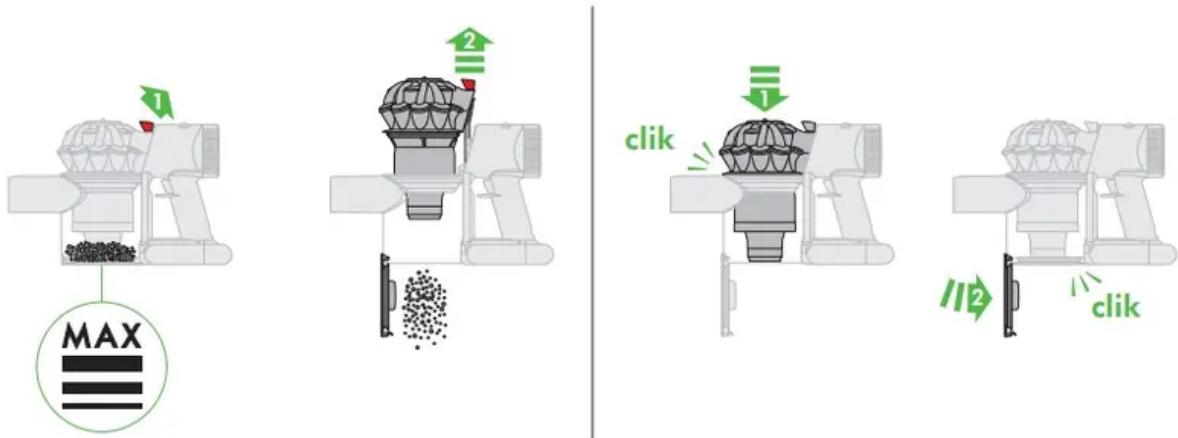


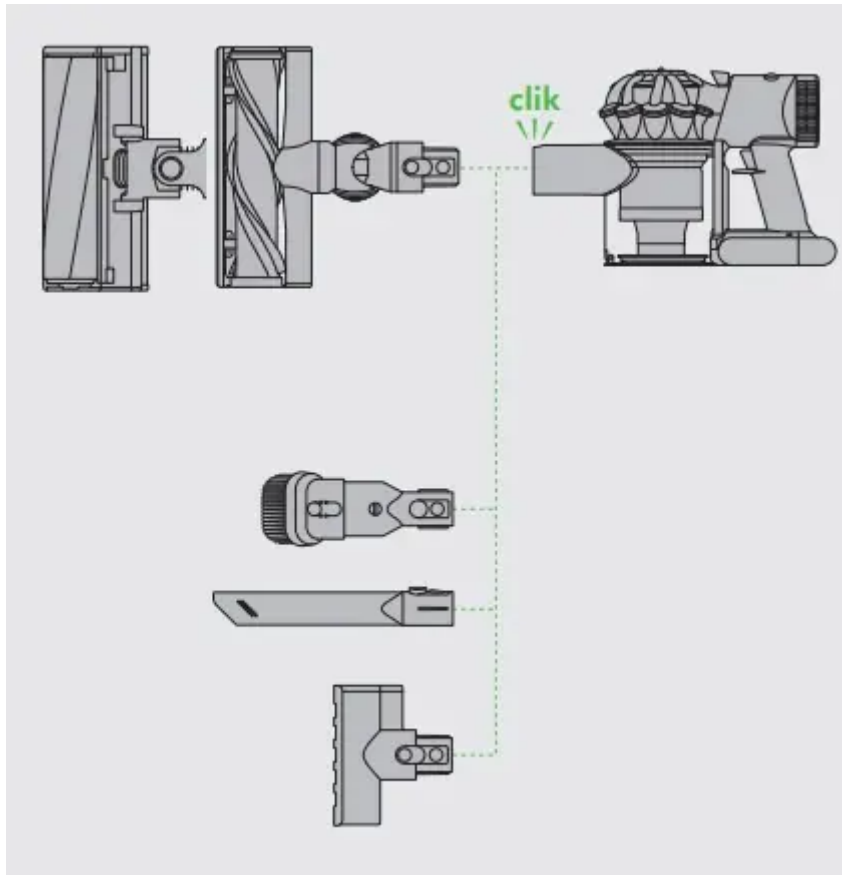
Power mode and run time



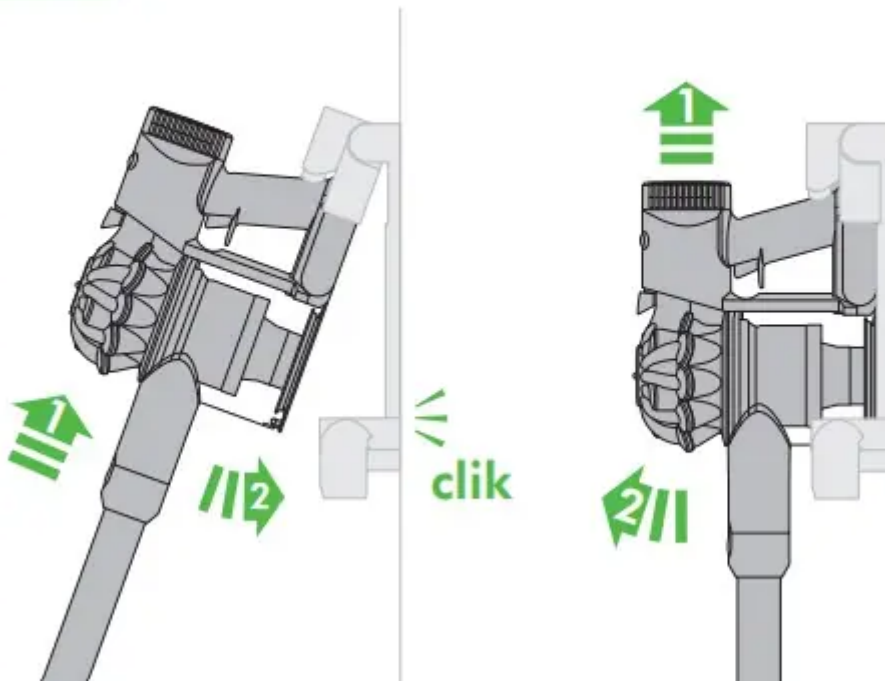


Emptying the clear bin

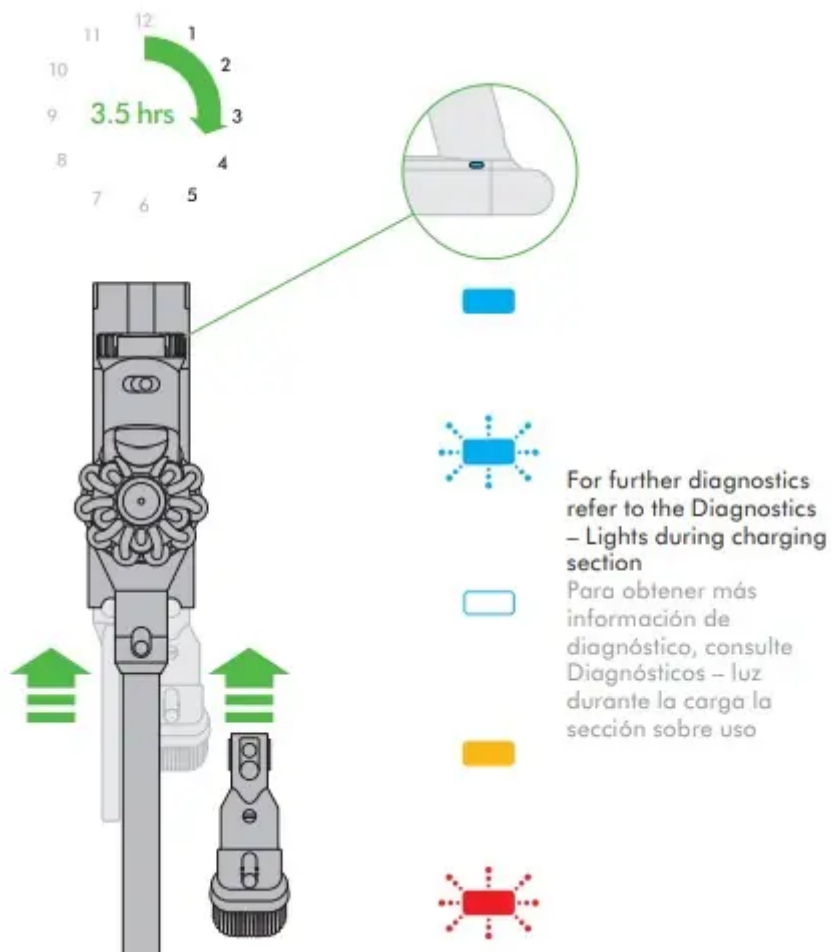




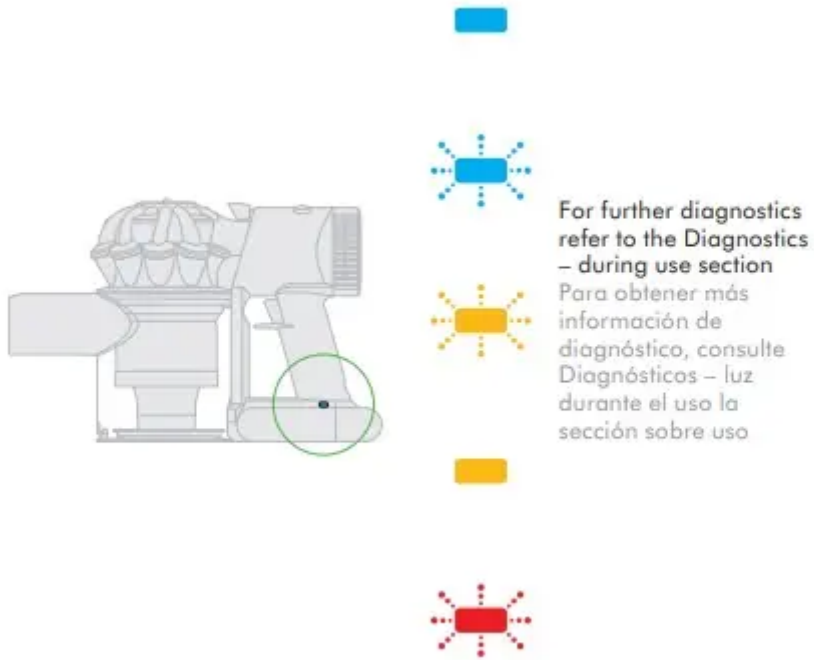
Recharging on the dock



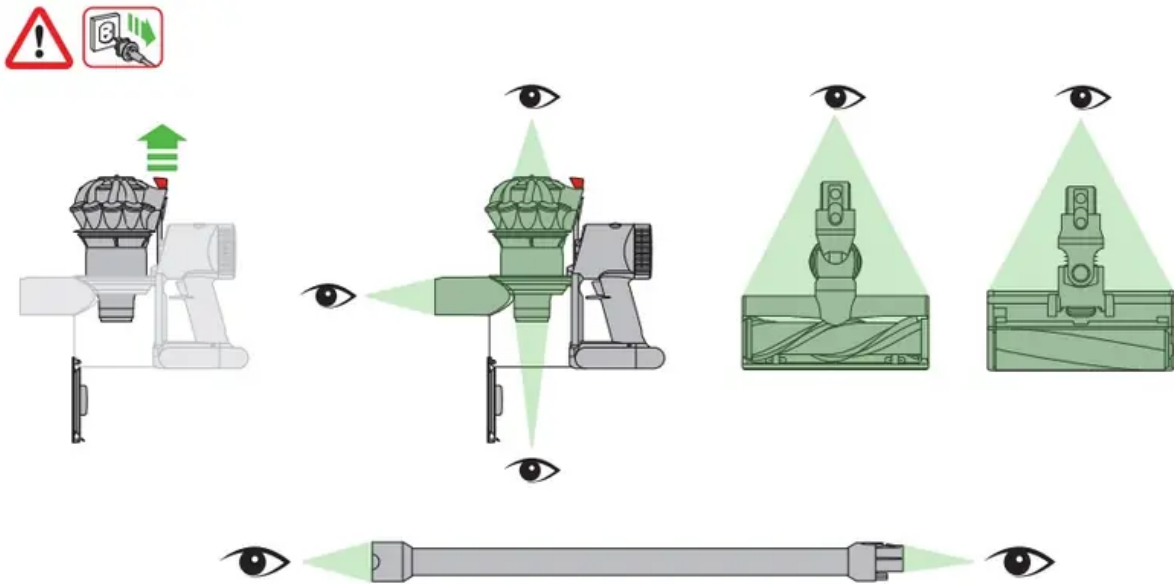
Light during charging



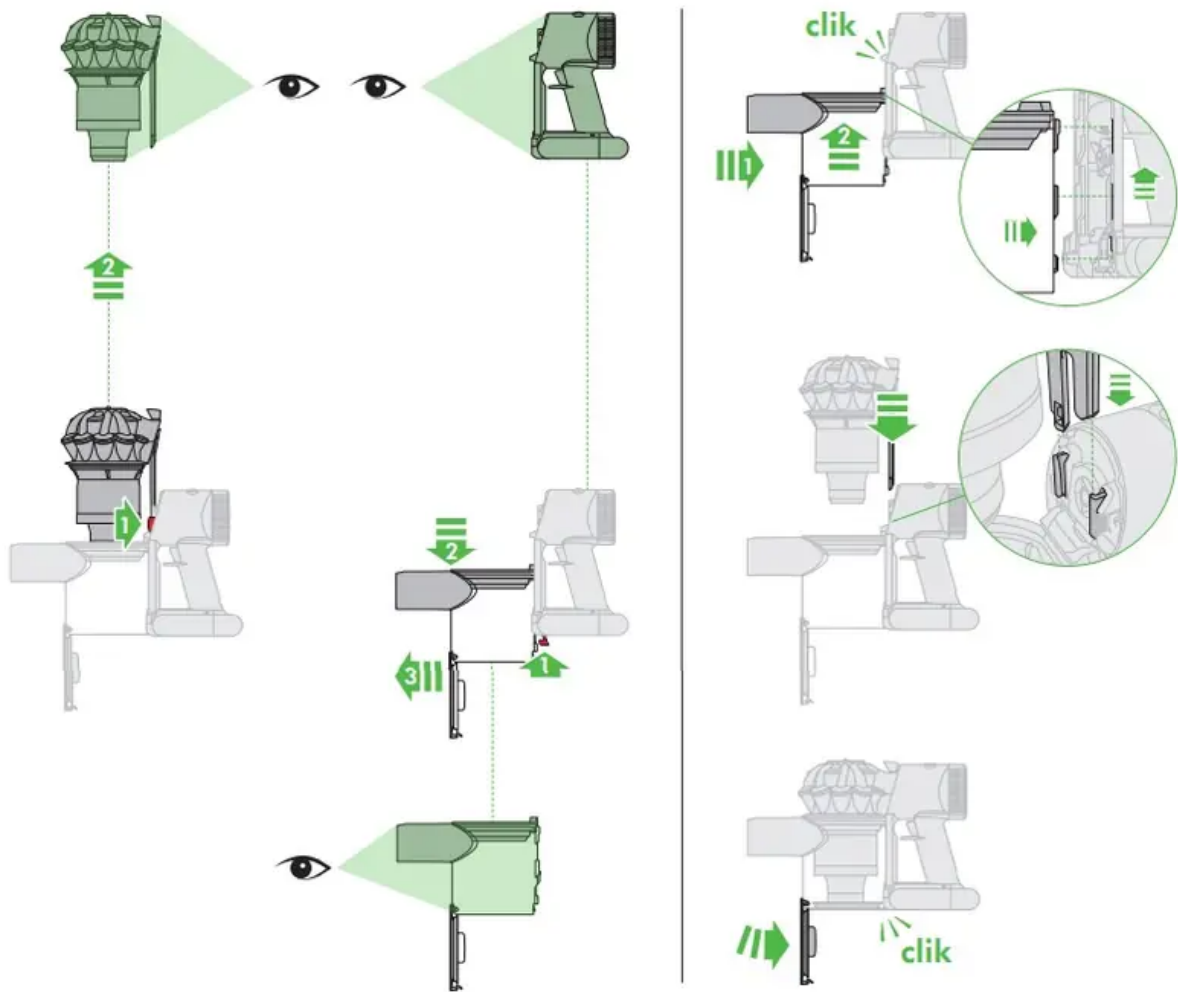
Light during use



Looking for blockages

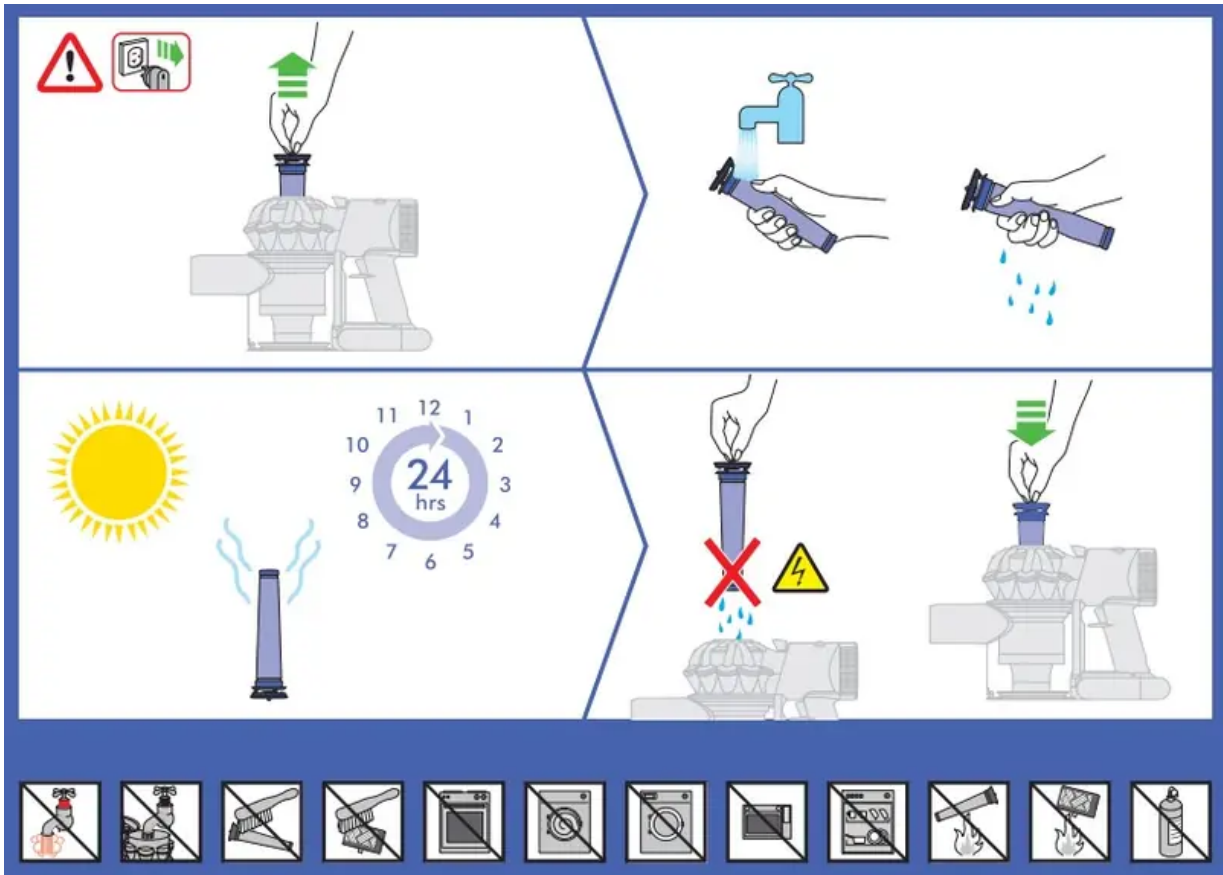


Stubborn blockages – Disassembly



Important!

Wash filter with cold water at least every month. Ensure the filter is completely dry before refitting.



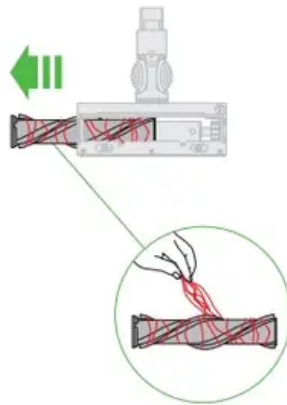
Direct drive cleanerhead: Clearing obstructions



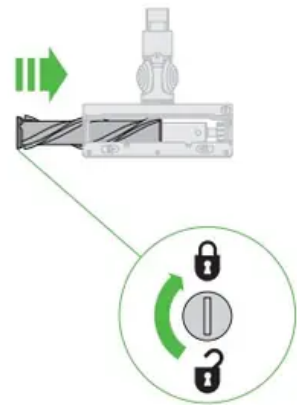
1



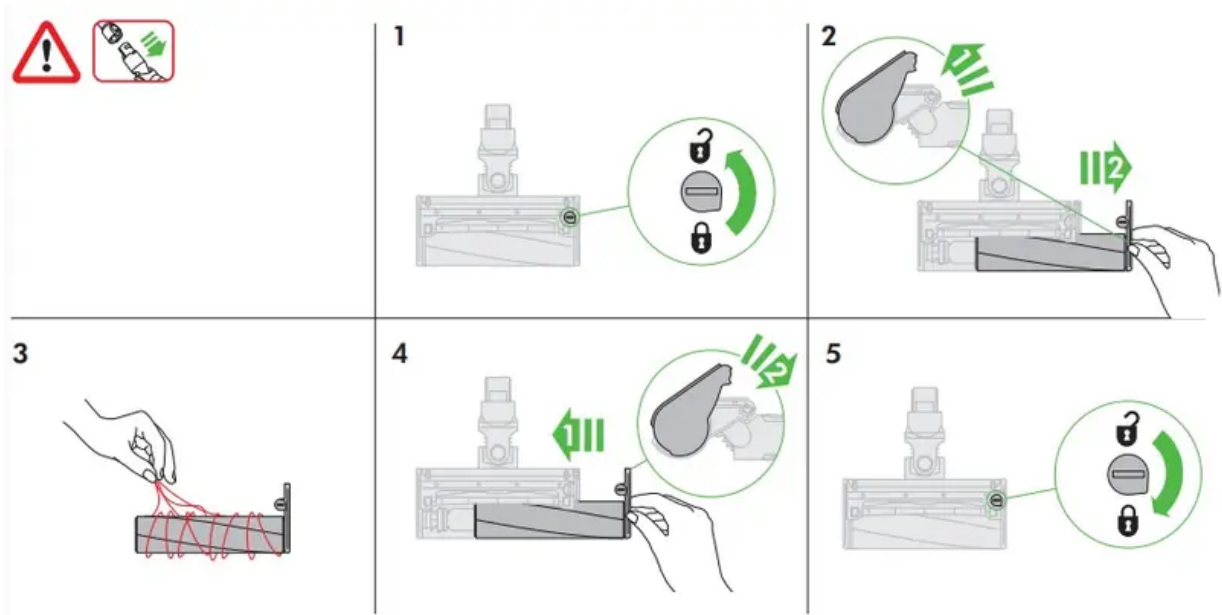
2



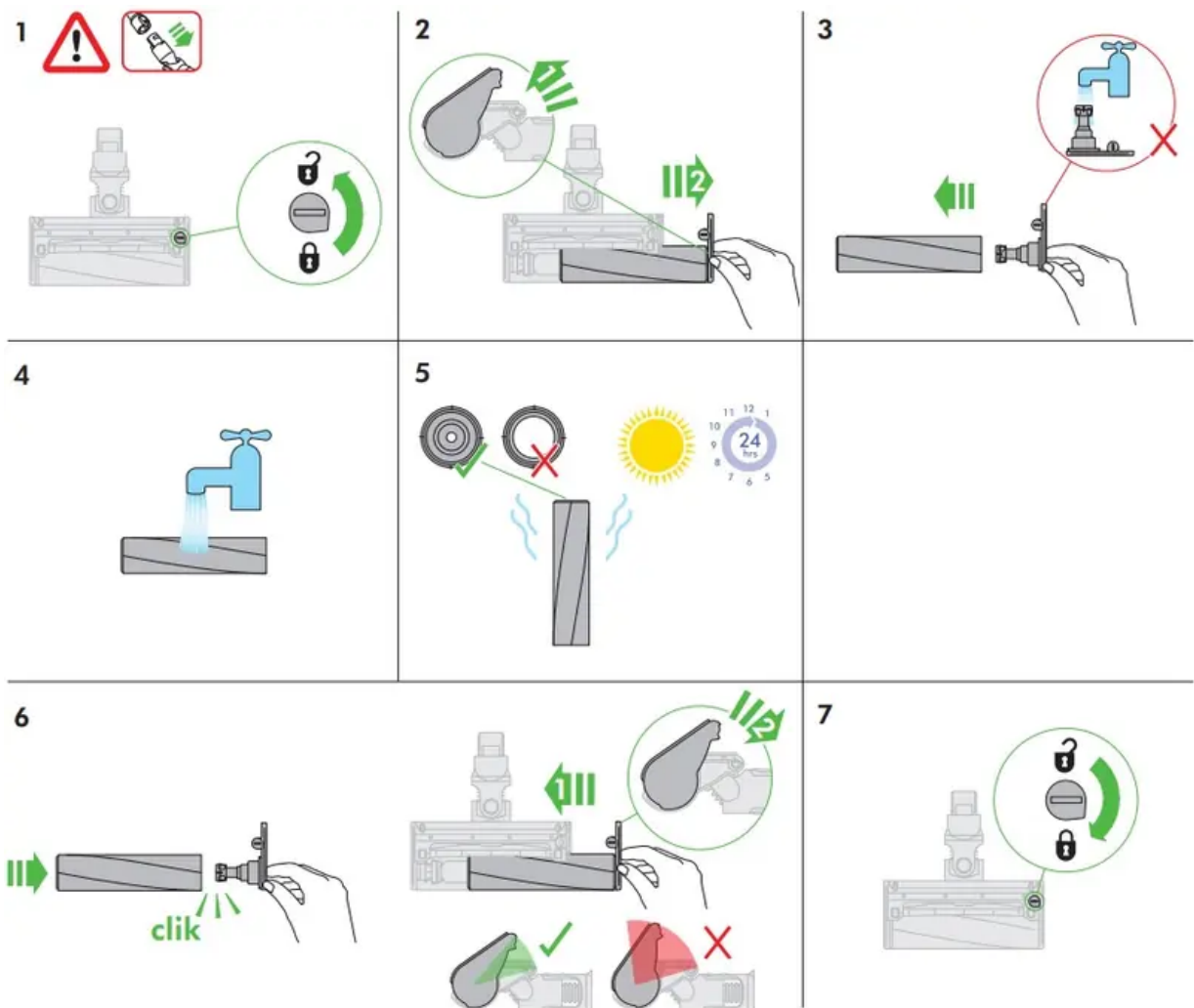
3



Soft roller cleanerhead: Clearing brush bar obstructions



Soft roller cleanerhead: washing the brush bar



Clearing mini motorized tool brush bar obstructions





Using your Dyson machine


Operation


- Do not use outdoors or on wet surfaces or to vacuum water or other liquids – electric shock could occur.
- Ensure the machine remains upright in use. Dirt and debris may be released if it is turned upside down.
- Do not operate while checking for blockages as doing so could result in personal injury.
- For domestic indoor and car use only. Do not use it while the car is in motion or while driving.
- To operate the MAX mode, locate the switch on the top of the machine. Slide the switch to the Max mode position.
- To switch off MAX mode, slide the red switch back to the Powerful Suction mode position.
- This machine has carbon fiber brushes. Take care if coming into contact with them, as they may cause minor skin irritation. Wash your hands after handling the brushes.


Diagnostics – Lights during charging

 Solid blue: Charging.

 Flashing blue – Not charging – Re-fit charger or try another socket. If warning light persists, contact the Dyson Helpline.


 Lights off: Charging complete.


 Solid amber: Not charging, temporary fault (e.g. too hot/cold).


 Flashing red: Fault (contact Dyson Helpline).

Diagnostics – during use

 Solid blue: 'ON'.

 Flashing blue: No power, charge battery.

 Flashing amber: No power, temporary fault (e.g. too hot/cold).

 Solid amber: Fault – if this persists contact the Dyson Helpline.

 Flashing red: Fault (contact Dyson Helpline).

Docking station installation

Use appropriate mounting hardware for your wall type and ensure that the docking station is mounted securely. Ensure no pipe work (gas, water, air) or electrical cables, wires or ductwork are located directly behind the mounting area. The docking station must be mounted in accordance with regulations and applicable codes/standards (state and local laws may apply). Dyson recommends the use of protective clothing, eyewear and materials when installing the docking station.

Carpets or hard floors

Before vacuuming your flooring, rugs and carpets, check the manufacturer's recommended cleaning instructions.

The brush bar on the machine can damage certain carpet types and floors. Some carpets will fuzz if a rotating brush bar is used when vacuuming. If this happens, we recommend vacuuming without the motorized floor tool and consulting with your flooring manufacturer.

Before vacuuming highly polished floors, such as wood or linoleum, first check that the underside of the floor tool and its brushes are free from foreign objects that could cause marking.

Looking after your Dyson machine

Do not carry out any maintenance or repair work other than that shown and described in this Dyson Operating Manual, or advised by the Dyson Helpline.

Only use parts recommended by Dyson. If you do not this may invalidate your warranty. Store the machine indoors. Do not use or store it below 37.4°F (3°C). Ensure the machine is at room temperature before operating.

Clean the machine only with a dry cloth. Do not use any lubricants, cleaning agents, polishes or air fresheners on any part of the machine.

Vacuuming

- Do not use without the clear bin and filters in place.
- Fine dirt such as plaster dust or flour should only be vacuumed in very small amounts.
- Do not use the machine to pick up sharp hard objects, small toys, pins, paper clips, etc. They may damage the machine.
- When vacuuming, certain carpets may generate small static charges in the clear bin or wand. These are harmless and are not associated with the central electricity supply. To minimize any effect from this, do not put your hand or insert any object into the clear bin unless you have first emptied it. Clean the clear bin with a damp cloth only. (See “Cleaning the clear bin”.)
- Use extra care when cleaning on stairs.

- Do not rest the machine on chairs, tables, etc.
- Do not press down on the nozzle with excessive force when using the machine as this may cause damage.
- Do not leave the cleaner head in one place on delicate floors.
- On waxed floors the movement of the cleaner head may create an uneven luster. If this happens, wipe with a damp cloth, polish the area with wax, and wait for it to dry.

Emptying the clear bin

- Empty as soon as the dirt reaches the level of the MAX mark – do not overfill.
- Ensure the machine is disconnected from the charger before emptying the clear bin. Be careful not to pull the “ON” trigger.
- To make emptying the clear bin easier, it is advisable to remove the wand and floor tool.
- To minimize dust/allergen contact when emptying, encase the clear bin tightly in a plastic bag and empty.
- To release the dirt, hold the machine by the handle, pull the red lever back and lift upwards to release the cyclone. Continue until the bin base automatically opens and releases the dirt.
- Remove the clear bin carefully from the bag.
- Seal the bag tightly, dispose as normal.
- To close, push the cyclone downwards until it is in the normal position and manually close the base of the bin – the base will click when it is securely in place.

Cleaning the clear bin

- Ensure the machine is disconnected from the charger before removing the clear bin. Be careful not to pull the “ON” trigger. Remove the wand and floor tool.
- To remove the cyclone, hold the machine by the handle, pull the red lever towards you and lift upwards until the bin opens, then push in the red button located behind the cyclone and lift the cyclone out.
- To detach the clear bin from the machine, pull back on the red catch located at the base, slide the clear bin down and carefully remove forwards from the main body.
- Clean the clear bin with a damp cloth only.
- Do not use detergents, polishes or air fresheners to clean the clear bin.
- Do not put the clear bin in a dishwasher.
- Ensure the clear bin is completely dry before replacing.
- To replace the clear bin, align the tabs on the clear bin with the grooves on the main body and slide upwards into place until the catch clicks.

- Slide the cyclone into the grooves of the main body and push downwards until it is in its normal position and manually close the base of the bin – the base will click when it is securely in place.

Washable parts

Your machine has washable parts, which require regular cleaning. Follow the instructions below.

Washing the brush bar

- Your appliance has a washable brush bar, check and wash it regularly according to the following instructions to maintain performance.
- Ensure the machine is disconnected from the charger before removing the brush bar. Be careful not to pull the 'ON' trigger. To remove, wash and replace the brush bar:
- Please refer to the 'Washing the brush bar' illustrations alongside the instructions below.
- Turn the cleaner head upside down so the underside of the cleaner head is facing you. Use a coin to turn the fastener one quarter counter-clockwise to the unlocked position.
- Rotate the end cap to the open position. Gently slide the brush bar away from the cleaner head.
- Remove the end cap from the brush bar.
- Hold the brush bar under running water and gently rub to remove any lint or dirt.
- Stand the brush bar upright as shown. Leave to dry completely for a minimum of 24 hours.
- Before replacing, check that the brush bar is completely dry.
- Reattach the end cap to the brush bar.
- Slide the brush bar back onto the cleaner head, around the motor. The end cap should be in the open position as shown. Once in place, rotate the end cap back into the closed position.
- Close the fastener by turning a quarter turn clockwise. Ensure that the fastener is fully turned and the brush bar is secure.

Washing your filter

- Ensure the machine is disconnected from the charger before removing the filter. Be careful not to pull the "ON" trigger.
- Your machine has one washable filter, located as shown.
- To remove the filter, lift it out of the top of the machine.
- Check and wash the filter regularly according to instructions to maintain performance.

- The filter may require more frequent washing if vacuuming fine dust or if used mainly in “POWERFUL SUCTION” mode.
- Wash the filter with cold water only.
- Run water over the outside of the filter until the water runs clear.
- Squeeze and twist with both hands to make sure the excess water is removed.
- Lay the filter on its side to dry. Leave to dry completely for a minimum of 24 hours.
- Do not put the filter in a dishwasher, washing machine, tumble dryer, oven, microwave or near an open flame.
- To refit, place the dry filter back into the top of the machine. Make sure it is seated properly.

Blockages – automatic cut-out

- This machine is fitted with an automatic cut-out.
- If any part becomes blocked the machine may automatically cut out.
- This will happen after the motor pulses a number of times (i.e switches on and off in quick succession).
- Leave to cool down before looking for blockages.
- Ensure the machine is disconnected from the charger before looking for blockages. Failure to do so could result in personal injury.
- Clear any blockage before restarting.
- Refit all parts securely before using.
- Clearing blockages is not covered by your warranty.

Looking for blockages

The motor will pulse when there is a blockage. Please follow the instructions below to locate the blockage:

- Ensure the machine is disconnected from the charger before looking for blockages. Be careful not to pull the “ON” trigger.
- Do not operate while checking for blockages as doing so could result in personal injury.
- Beware of sharp objects when checking for blockages.
- To check for blockages in the main body of the machine, remove the clear bin and cyclone as per the instructions in the cleaning the clear bin section and remove the blockage. Please consult the 'Stubborn blockages' section of the illustrations for further guidance.
- If you cannot clear an obstruction you may need to remove the brush bar. Use a coin to unlock the fastener marked with a padlock. Remove the obstruction. Replace the brush

bar and secure it by tightening the fastener. Ensure it is fixed firmly before operating the machine.

- This machine has carbon fiber brushes. Take care if coming into contact with them, as they may cause minor skin irritation. Wash your hands after handling the brushes.
- Refit all parts securely before using.
- Clearing blockages is not covered by your warranty.

Charging and storage

- This machine will switch “OFF” if the battery temperature is below 37.4°F (3°C). This is designed to protect the motor and battery. Do not charge the machine and then move it to an area with a temperature below 37.4°F (3°C) for storage purposes.
- To help prolong battery life, avoid recharging immediately after a full discharge. Allow to cool for a few minutes.
- Avoid using the machine with the battery flush to a surface. This will help it run cooler and prolong battery run time and life.

Battery Safety Instructions

- If the battery needs replacing please contact the Dyson Helpline.
- Use only Dyson chargers for charging this Dyson machine.
- The battery is a sealed unit and under normal circumstances poses no safety concerns. In the unlikely event that liquid leaks from the battery do not touch the liquid and observe the following precautions:
 - Skin contact – can cause irritation. Wash with soap and water.
 - Inhalation – can cause respiratory irritation. Expose to fresh air and seek medical advice.
 - Eye contact – can cause irritation. Immediately flush eyes thoroughly with water for at least 15 minutes. Seek medical attention.
 - Disposal – wear gloves to handle the battery and dispose of immediately, following local ordinances or regulations.

Caution: The battery used in this device may present a risk of fire or chemical burn if mistreated. Do not disassemble, short contacts, heat above 140°F (60°C), or incinerate. Keep away from children. Do not disassemble and do not dispose of in fire.

Disposal information

- Dispose of or recycle the battery in accordance with local ordinances or regulations.
- Keep the used batteries away from children as these can still harm children if swallowed.

- Dyson products are made from high grade recyclable materials. Recycle where possible.
- The battery should be removed from the product before disposal.

Warning

This content is compiled from multiple sources and is provided for reference purposes only. It may not be complete or fully applicable to all situations. If you are unable to resolve your issue, please contact the product manufacturer or an authorized service provider for official support.

Document generated by [ManualsFile](#)