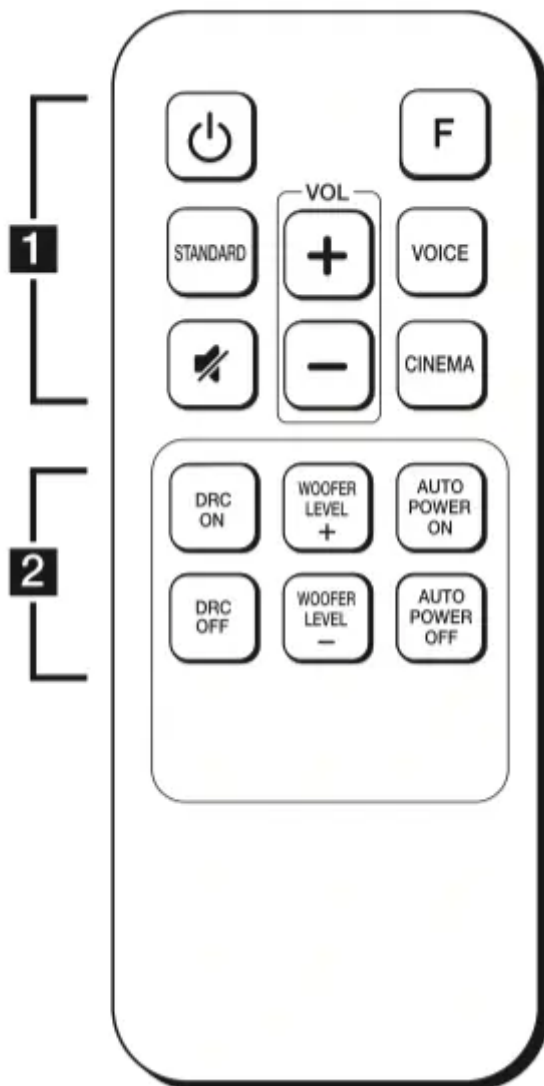


Getting Started

Remote control



..... **1** |

⏻ (Power): Switches the unit ON or OFF.

F: Changes input sources.

STANDARD: Selects STANDARD sound effect

VOICE: Selects VOICE sound effect

CINEMA: Selects CINEMA sound effect

🔇 (Mute): Mutes the sound.

VOL +/−: Adjusts speaker volume.

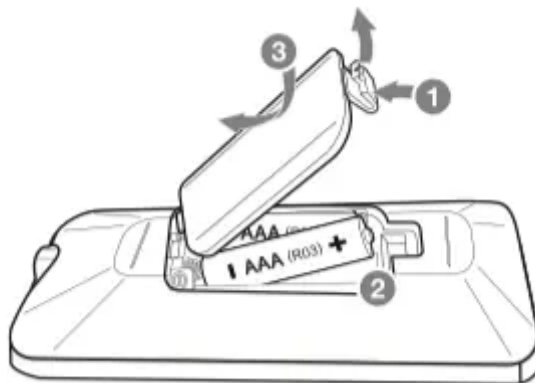
..... **2**

DRC ON/OFF: Turns on or off DRC function. (Refer to the page 15.)

WOOFER LEVEL +/−: Adjusts sound level of subwoofer.

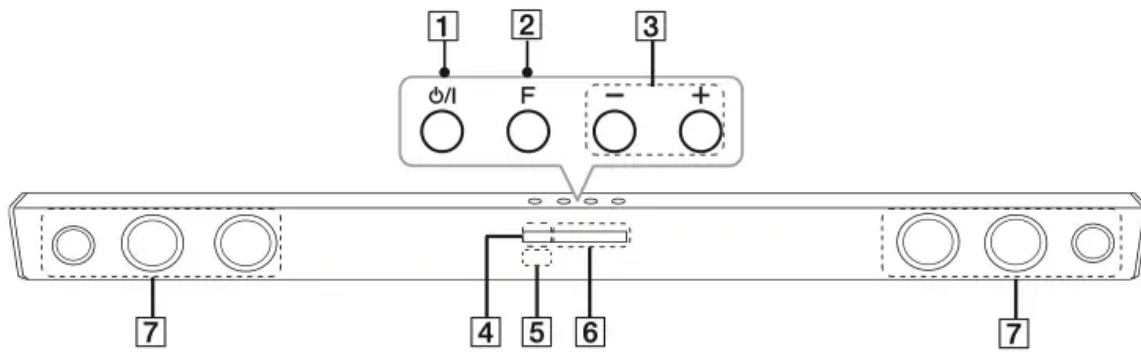
AUTO POWER ON/OFF: Turns on or off AUTO POWER function. (Refer to the page 16.)

Replacement of battery



Remove the battery cover on the rear of the Remote Control, and insert the (size AAA) battery with **+** and **−** matched correctly.

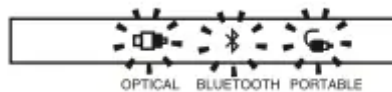
Front panel



- 1** ⏻/⏻ (Standby/On)
- 2** F (Function)
Selects the function and input source.
- 3** -/+ (Volume)
Adjusts volume level.
- 4** Standby LED
It lights up in red on standby mode.
- 5** Remote sensor
- 6** Function LED

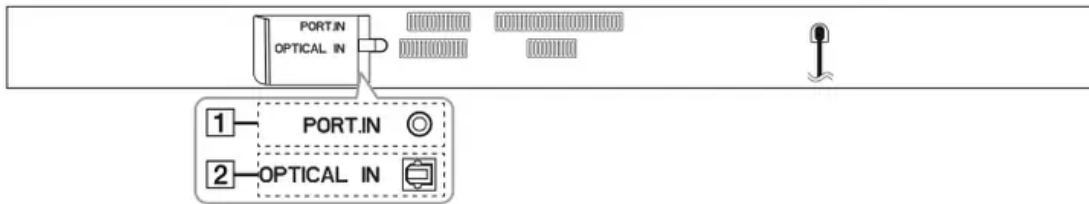
Note

- You can check current function through the LED.



- This unit turns off LED if there is no key input for 20 seconds. To display LED, press any button.
- Standby LED quickly blinks when you press any button, and slowly blinks in Mute or Minimum volume status.
- Bluetooth LED blinks when you select Bluetooth function. If you connect a Bluetooth device, the LED will turn on.

Rear panel



1 **PORT. IN** : Portable input

2 **OPTICAL IN** : Optical input

Installing the sound bar

You can hear the sound by connecting the unit to another device: TV, Blu-ray disc player, DVD player, etc.

Place the unit in front of the TV and connect it to the device you want. (Refer to pages 13 - 14.)



Caution

- For best performance of wireless connection such as Bluetooth or wireless subwoofer, do not install the unit on Metallic furniture because wireless connection communicates through a module positioned on the bottom of the unit.
- Be careful not to make scratches on the surface of the Unit or Sub-Woofer when installing or moving them.

Mounting the main unit on a wall

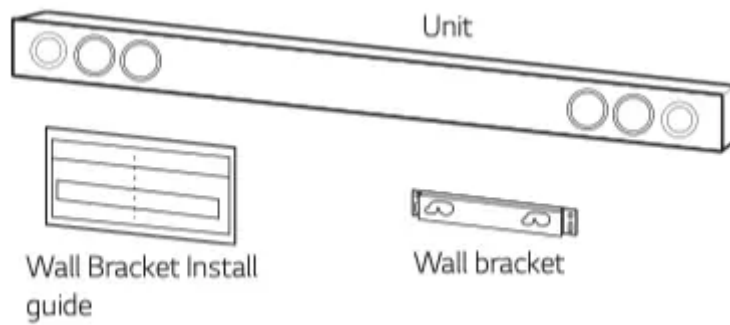
You can mount the main unit on a wall.



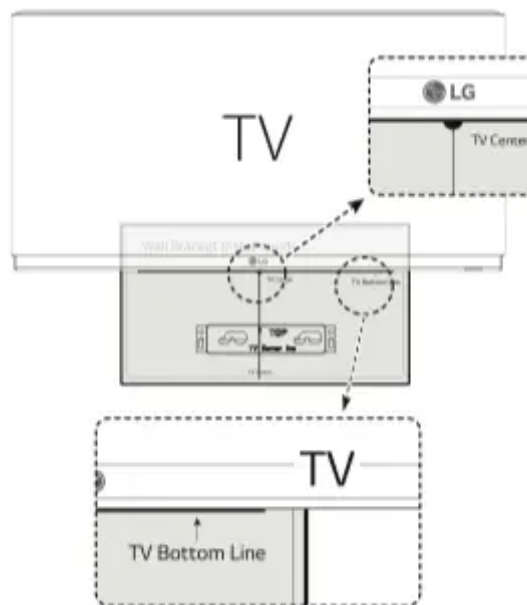
Caution

Because it is difficult to make a connection after installing this unit, you should connect the cables before installation.

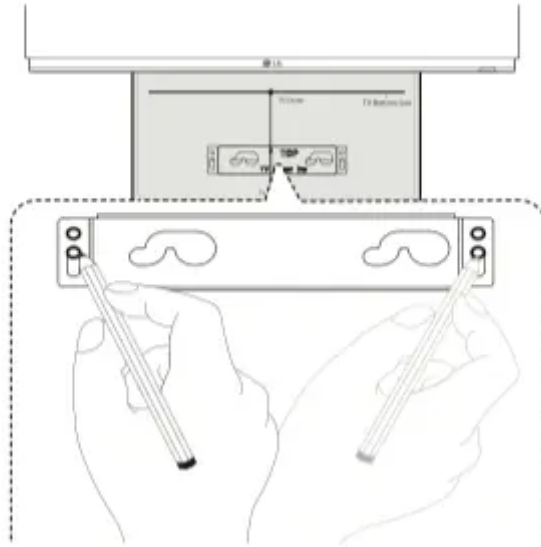
Prepare screws and brackets.



1. Match the TV's BOTTOM EDGE of Wall Bracket Install guide with the bottom of TV and attach to the position.



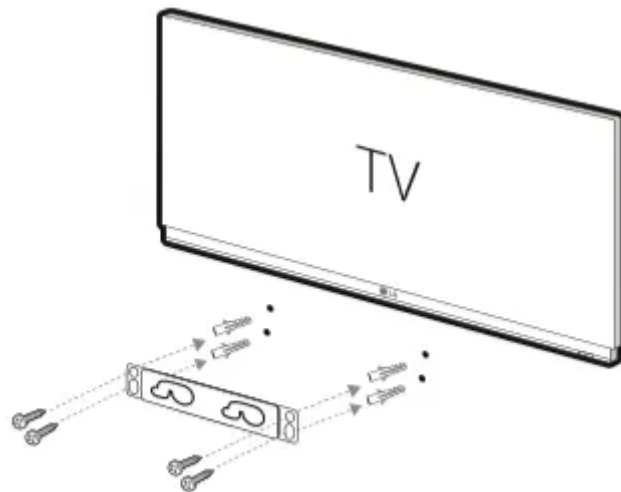
2. When you mount it on a wall (concrete), use the wall plugs (Not supplied). You will need to drill some holes. A guide sheet (Wall Bracket Install guide) is supplied showing you where to drill. Use the sheet to check the points where you should drill.



Note

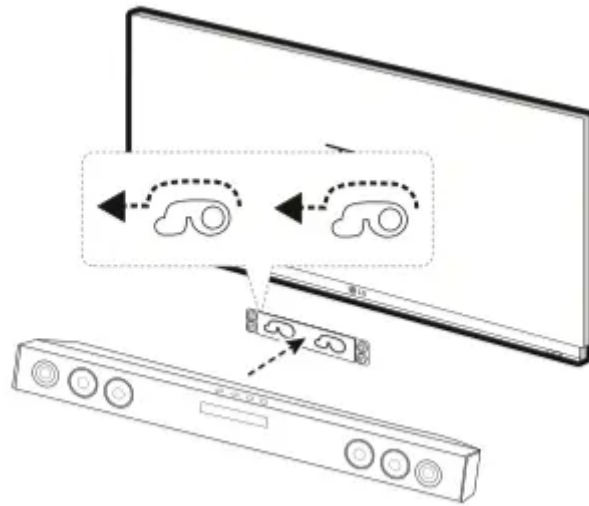
Screws and Wall Plugs are not supplied for mounting the unit. We recommend the Hilti (HUD-1 6 x 30) for the mounting. Please purchase it locally.

- 3. Remove the Wall bracket install guide.
- 4. Fix it with screws (not supplied) as shown in the illustration below.



5. Hang the main unit onto the bracket as shown below.



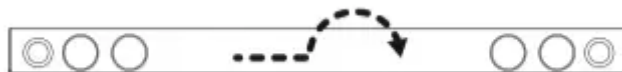


Caution

- Do not install this unit upside down. It can damage the parts of this unit or be the cause of personal injury.
- Do not hang onto the installed unit and avoid any impact to the unit.
- Secure the unit firmly to the wall so that it does not fall off. If the unit falls off, it may result in an injury or damage to the product.
- When the unit is installed on a wall, please make sure that a child does not pull any of connecting cables, as it may cause it to fall.

Note

Detach the unit from the bracket as shown below.



Connecting

Wireless subwoofer connection

LED indicator of wireless subwoofer



| LED Color | Status |
|---------------------------------------|---|
| Yellow green (Blink) | Attempting to make connection. |
| Yellow green | The connection is completed. |
| Red/ Yellow green (Blink alternately) | The wireless subwoofer connection is initialized. |
| Off (No display) | The power cord of wireless subwoofer is disconnected. |

Setting up the wireless subwoofer for the first time

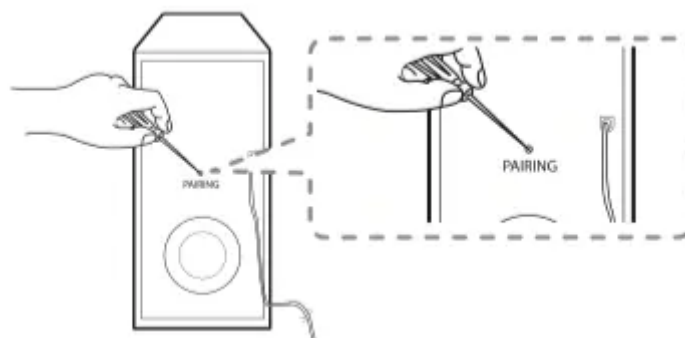
1. Connect the power cord of the wireless subwoofer to the outlet.
2. Turn on the main unit : The main unit and wireless subwoofer will be automatically connected.

Manually pairing wireless subwoofer

When your connection is not completed, you can see the red LED or the blinking of yellow-green LED on the wireless subwoofer and the subwoofer does not make sound. To solve the problem, follow the below steps.

1. Adjust volume level of the main unit to minimum by pressing VOL  button repeatedly until standby LED on the main unit blinks slowly.
2. Press and hold  (Mute) on the remote control for about 3 seconds.
 - The standby LED on the main unit blinks quickly.
3. If the LED of the wireless subwoofer already blinks in yellow-green continually, you can skip this step.

Press and hold PAIRING on the back of the wireless subwoofer for more than 5 seconds.



- The LED of the wireless subwoofer lights up alternately in red and yellow-green.
4. Disconnect the power cord of the main unit and the wireless subwoofer.
 5. Connect them again after the LED of the main unit and the wireless subwoofer is fully turned off.

The main unit and the wireless subwoofer will be paired automatically when you turn on the main unit.

- When the connection is completed, you can see the yellow-green LED on the subwoofer.

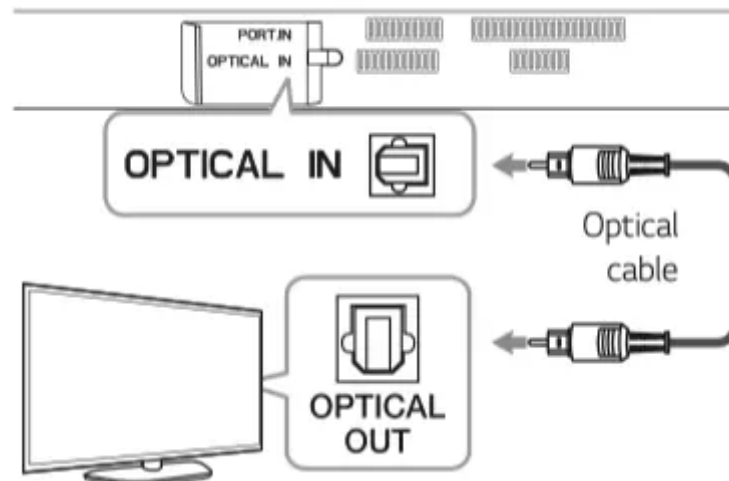
Note

- It takes a few seconds (and may take longer) for the main unit and the subwoofer to communicate with each other and make sounds.
- The closer the main unit and the subwoofer, the better sound quality. It is recommended to install the main unit and the subwoofer as close as possible and avoid the cases below.
 - There is an obstacle between the main unit and the subwoofer.
 - There is a device using the same frequency with this wireless connection such as a medical equipment, a microwave or a wireless LAN device.

Connecting to your TV

Using an OPTICAL cable

1. Connect the OPTICAL IN jack on the back of the unit to OPTICAL OUT jack on the TV using an OPTICAL cable.



2. Set the input source to OPTICAL. Press F button repeatedly until the function is selected.

Note

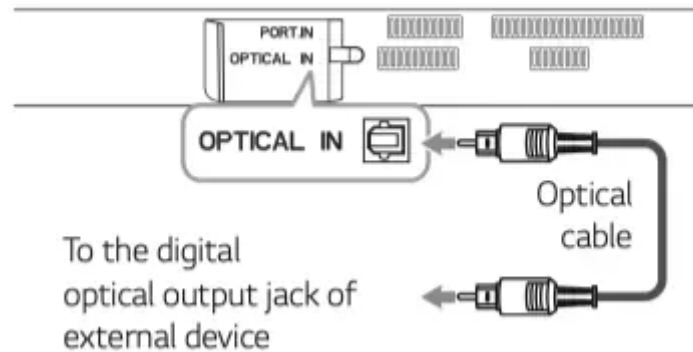
- Before connecting the optical cable, be sure to remove the protection plug cover if your cable has the cover.
- You can enjoy the TV audio through the speakers of this unit. In the case of some TV models, you must select the external speaker option from the TV menu. (For details, reference your TV user manual.)

- Set up the sound output of TV to listen to the sound through this unit : TV setting menu
 → [Sound] → [TV Sound output] → [External speaker (Optical)]
- Details of TV setting menu vary depending on the manufacturers or models of your TV..

Optional equipment connection

OPTICAL IN connection

Connect an optical output jack of external devices to the OPTICAL IN jack.

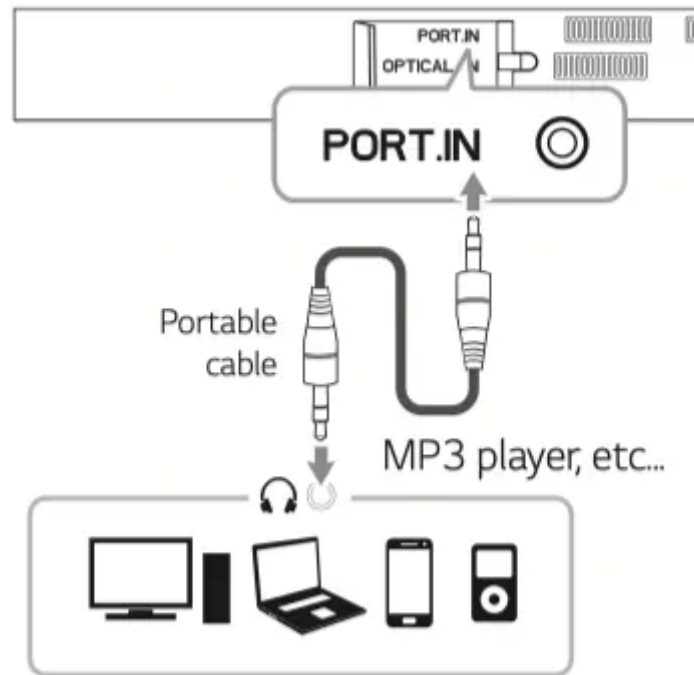


1. Connect the OPTICAL IN jack on the back of the unit to optical out jack of your TV (or digital device etc.)
2. Select the input source to OPTICAL by pressing F button repeatedly until the function is selected.
3. Listen to sound.
4. Press F to exit from OPTICAL.

Note


Before connecting the optical cable, be sure to remove the protection plug cover if your cable has the cover.

PORT. IN connection



Listening to music from your portable player

The unit can be used to play the music from many types of portable players or external devices.

1. Connect the portable player to the PORTABLE IN connector of the unit by using 3.5 mm stereo cable.
2. Turn the power on by pressing  (Power).
3. Select the PORTABLE function by pressing F button repeatedly until the function is selected.
4. Turn on the portable player or external device and start playing it.


Operating


Operations

DRC (Dynamic range control)

Make the sound clear when the volume is turned down and prevent sudden increase of sound (Dolby Digital only). This function turns on or off you press DRC ON/OFF.

Turn off the sound temporarily

Press  (Mute) to mute your unit.

To cancel it, press  (Mute) again on the remote control or change the volume level.

Using your TV remote control

You can control some functions of this unit by your TV remote control even by other company's product. Controllable functions are volume up/down and mute.

Press and hold DRC ON on the remote control for about 3 seconds.

To turn off this function, press and hold DRC OFF about 3 seconds.

Note

- Supported TV brands

LG

Sharp

Panasonic

Sony

Philips

Toshiba

Samsung

Vizio

- Make sure that the sound output of your TV is set to [External speaker].
- Depending on the remote control, this function may not work well.
- This function does not operate on LG TV's magic remote control.

Auto power down

This unit will turn itself off to save electric consumption in the case main unit is not connected to external device and is not used for 20 minutes.

It will also shut itself off after six hours when the Main unit has been connected to other device using analog input. (Ex : Portable, etc..)

How to disconnect the wireless network connection or the wireless device

Set up the AUTO POWER ON/OFF function to off and turn off the unit.

AUTO POWER On/Off

This unit automatically turns on by an input source : Optical or Bluetooth.

When you turn on your TV or an external device connected to this unit, this unit recognizes the input signal and selects the suitable function. You can hear the sound from your device.

If you try to connect your Bluetooth device, this unit turns on and is ready to pair. Connect your Bluetooth device and play your music.

This function turns on or off when you press AUTO POWER ON/OFF.

Note

- After the unit is turned on by AUTO POWER function, it will be automatically turned off if there is no signal for a certain period of time from the external device.
- If you turned off the unit directly, it cannot be turned on automatically by AUTO POWER function. However the unit can be turned on by AUTO POWER function when optical signal comes in after 5 seconds of no signal.
- Depending on the connected device, this function may not operate.
- If you disconnect Bluetooth connection by this unit, some Bluetooth devices try to connect to the unit continually. Therefore it is recommended to disconnect the connection before turning off the unit.
- When you turn on this unit for the first time, Auto Power function status is turned on.

Auto function change

This unit recognizes input signals such as optical and Bluetooth. And then changes suitable function automatically.

When optical signal comes in

When you turn on the external device connected to this unit by an optical cable, this unit changes the function to optical. You can hear the sound from your device.

When you try to connect BLUETOOTH device

When you try to connect your Bluetooth device to this unit, the Bluetooth function is selected. Play your music on the Bluetooth device.

Note

To change to optical function, it needs 5 seconds of no signal.

Using BLUETOOTH® technology

About BLUETOOTH

Bluetooth is wireless communication technology for short range connection.

The sound may be interrupted when the connection has interference from other electronic waves or you connect the Bluetooth in other rooms.

Connecting individual devices under Bluetooth wireless technology does not incur any charges. A mobile phone with Bluetooth wireless technology can be operated via the Cascade if the connection was made via Bluetooth wireless technology.

- Available Devices : Mobile phone, MP3, Laptop, PDA etc.
- Codec : SBC

BLUETOOTH Profiles

In order to use Bluetooth wireless technology, devices must be able to interpret certain profiles. This unit is compatible with following profile.

A2DP (Advanced Audio Distribution Profile)

Listening to music stored on the BLUETOOTH devices

Pairing your unit and BLUETOOTH device

Before you start the pairing procedure, make sure the Bluetooth feature is turned on in to your Bluetooth device. Refer to your Bluetooth device's user guide. Once a pairing operation is performed, it does not need to be performed again.

1. Turn on the unit.
2. Operate the Bluetooth device and perform the pairing operation. When searching for this unit with the Bluetooth device, a list of the devices found may appear in the Bluetooth device display depending on the type of Bluetooth device. Your unit appears as "LG LAS465B (XX) / LG SH3K (XX)".

Note

- XX means the last two digits of Bluetooth address. For example, if your unit has a Bluetooth address such as 9C:02:98:4A:F7:08, you will see "LG LAS465B (08) / LG SH3K (08)" on your Bluetooth device.
 - Depending on the Bluetooth device type, some device have a different pairing way. Enter the PIN code (0000) as needed.
3. When this unit is successfully connected with your Bluetooth device, BLUETOOTH () LED will turn on.
 4. Listen to music. To play a music stored on your Bluetooth device, refer to your Bluetooth device's user guide.

Note

- When using Bluetooth technology, you have to make a connection between the unit and the Bluetooth device as close as possible and keep the distance. However it may not work well in the case below :
 - There is a obstacle between the unit and the bluetooth device.
 - There is a device using same frequency with Bluetooth technology such as a medical equipment, a microwave or a wireless LAN device.
- You should connect your Bluetooth device to this unit again when you restart it.
- The sound may be interrupted when the connection has interference from other electronic waves.
- You may not control the Bluetooth device with this unit.
- Pairing is limited to one Bluetooth device per unit and multi-pairing is not supported.

- Depending on the type of the device, you may not be able to use the Bluetooth function.
- You can enjoy Bluetooth function using Smart phone, MP3 player, Notebook, etc..
- The more distance between the unit and the Bluetooth device, the lower the sound quality becomes.
- Bluetooth connection will be disconnected when the unit is turned off or the bluetooth device gets far from the unit.
- When Bluetooth connection is disconnected, connect the bluetooth device to the unit again.
- When this unit is not connected with Bluetooth device, Bluetooth LED will blink.

Sound adjustment

Setting the surround mode

This system has a number of pre-set surround sound fields. You can select a desired sound mode by using each sound mode button.

| Button | Description |
|-----------------|--|
| STANDARD | You can enjoy optimized sound. |
| CINEMA | You can enjoy more immersive and cinematic surround sound. |
| VOICE | This program make voice sound clear, improving the quality of voice sound. |

Note

- In some of the sound effect modes, some speakers may have no sound or low sound. It depends on the mode of sound and the source of the audio, it is not a defect.
- You may need to reset the sound effect mode, after switching the input, sometimes even after the sound file changed.


Adjust the woofer level settings

You can adjust the sound level of woofer by pressing WOOFER LEVEL  button.

Note

When the subwoofer level reaches maximum or minimum, standby LED (Red) on the main unit turns on for 2 seconds.

Troubleshooting

| PROBLEM | CAUSE & CORRECTION |
|--|---|
| <p>The unit does not work properly.</p> | <ul style="list-style-type: none"> • Turn off the power of this unit and the connected external device (TV, Woofer, DVD-player, Amplifier, etc.) and turn it on again. • Disconnect the power cord of this unit and the connected external device (TV, Woofer, DVD-player, Amplifier, etc.) and then try connecting again. • Previous setting may not be saved when device power is shut off. |
| <p>No Power</p> | <ul style="list-style-type: none"> • The power cord is unplugged. Plug in the power cord. • Check the condition by operating other electronic devices. |
| <p>No sound</p> | <ul style="list-style-type: none"> • Incorrect input source is selected. Check the input source and select the correct input source. • The mute function is activated. Press (Mute)  or adjust the volume level to cancel the mute function. • When you are using connection with a external device (set top box, Bluetooth device etc.), adjust volume level of the device. |
| <p>No woofer sound</p> | <ul style="list-style-type: none"> • The power cord of the woofer is not connected. Plug the power cord into the wall outlet securely. • Pairing between the unit and woofer gets disconnected. Connect the unit and woofer. (Refer to the page 12.) |
| <p>The remote control does not work properly.</p> | <ul style="list-style-type: none"> • The remote control is too far from the unit. Operate the remote control within about 7 m, (23 ft.). • There is an obstacle in the path of the remote control and the unit. Remove the obstacle. • The batteries in the remote control is exhausted. Replace the batteries with new one. |
| <p>The AUTO POWER function does not work.</p> | <ul style="list-style-type: none"> • Check connection of the external device such as TV, DVD/ Blu-Ray player or Bluetooth device. |

| | |
|---|--|
| | <ul style="list-style-type: none">• Depending on the connected device, this function may not operate. |
| When you feel the output sound of the unit is low. | <p>Check the details below and adjust the unit according to them.</p> <ul style="list-style-type: none">• Switch [ON] state of DRC function to [OFF] by using remote controller.• With the sound bar connected with TV, change the AUDIO DIGITAL OUT setting on TV Setup Menu from [PCM] to [AUTO] or [BITSTREAM].• With the sound bar connected with Player, change the AUDIO DIGITAL OUT setting on Player Setup Menu from [PCM] to [PRIMARY PASS-THROUGH] or [BITSTREAM].• Change Audio DRC setting on Player setup menu to [OFF] state. |

NOTES to use wireless

| PROBLEM | CAUSE & CORRECTION |
|---|---|
| This device may have wireless interference. | <ul style="list-style-type: none">• Wireless may not operate normally in weak signal area.• Please install the device close enough to wireless subwoofer.• Do not install the device on metal furniture for optimum performance. |
| Bluetooth device may malfunction or make noise in the following cases. | <ul style="list-style-type: none">• When any part of your body contacts the transceiver of the Bluetooth device or sound bar.• When there is an obstacle or wall or the device is installed in a secluded spot.• When there is a device (a wireless LAN, a medical equipment or a microwave) using the same frequency, make the distance between the products as far away as possible from each other.• When connecting the device to a Bluetooth device, make the distance between the products as close as possible.• When the device gets too far from the Bluetooth device, the connection is disconnected and also may cause the device malfunction. |

Maintenance

Handling the unit

When shipping the unit

Please save the original shipping carton and packing materials. If you need to ship the unit, for maximum protection, re-pack the unit as it was originally packed at the factory.

Keeping the exterior surfaces clean

- Do not use volatile liquids such as insecticide spray near the unit.
- Wiping with strong pressure may damage the surface.
- Do not leave rubber or plastic products in contact with the unit for a long period of time.

Cleaning the unit

To clean the player, use a soft, dry cloth. If the surfaces are extremely dirty, use a soft cloth lightly moistened with a mild detergent solution. Do not use strong solvents such as alcohol, benzine, or thinner, as these might damage the surface of the unit.

Warning

This content is compiled from multiple sources and is provided for reference purposes only. It may not be complete or fully applicable to all situations. If you are unable to resolve your issue, please contact the product manufacturer or an authorized service provider for official support.

Document generated by [ManualsFile](#)

