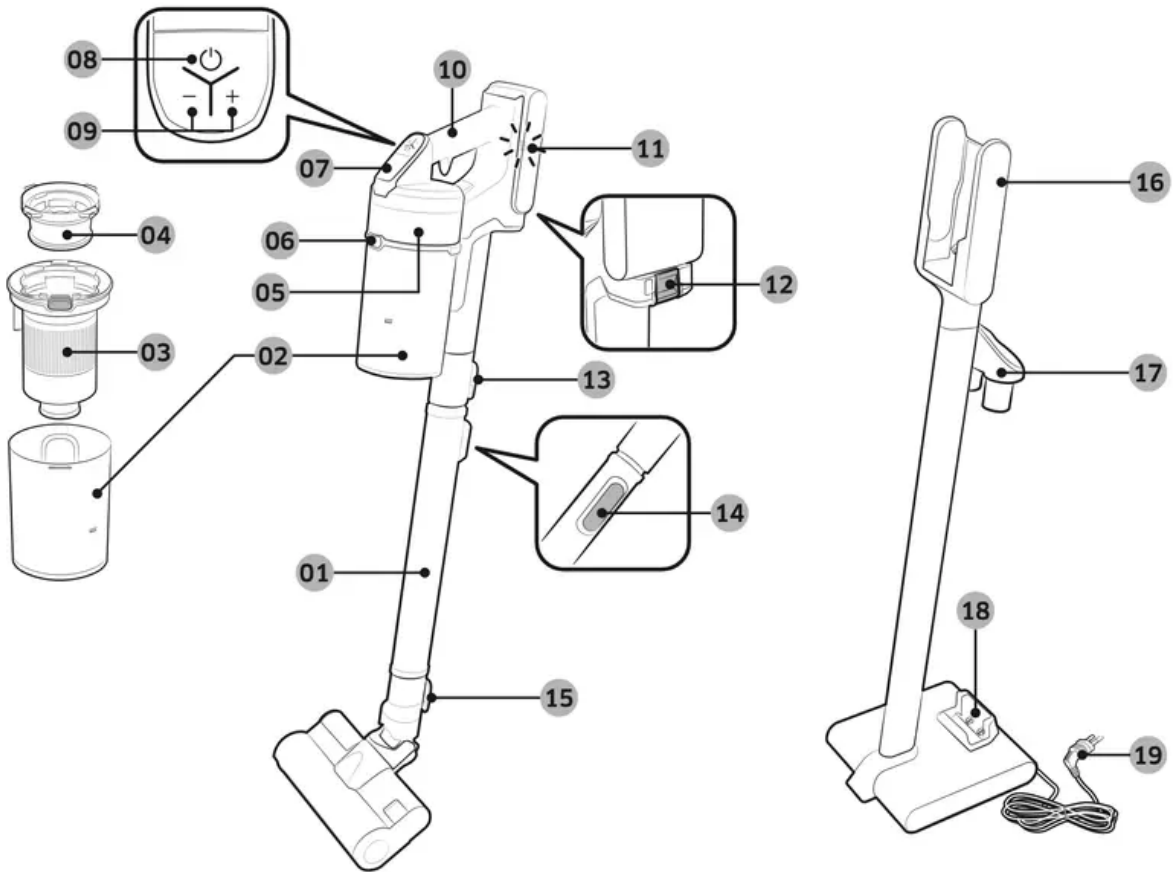



## INSTALLATION

### Name of the parts

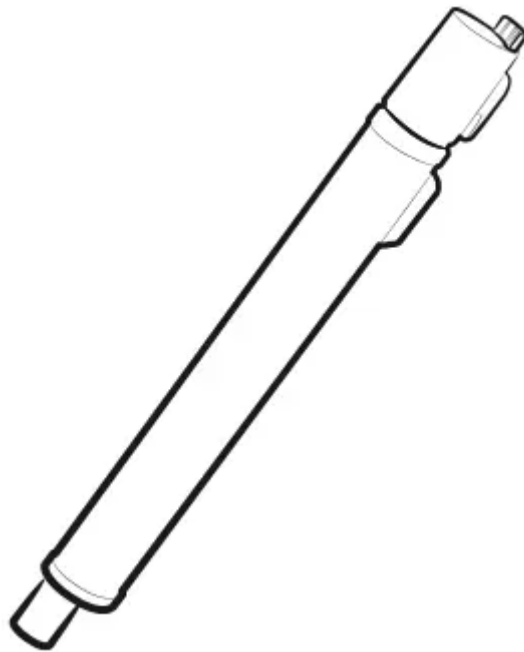


1. Pipe (Adjustable)
2. Dustbin
3. Metal mesh grille filter
4. Washable micro filter
5. Ultra fine dust filter
6. Dustbin release button
7. Display
8. Power (  ) button
9. Suction power control button
10. Handle
11. Battery level indicator
12. Battery release button

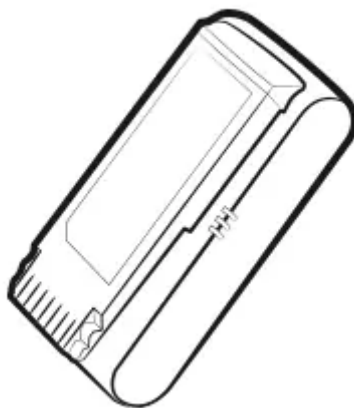
13. Pipe release button
14. Pipe length adjustment button
15. Brush release button
16. Vacuum charging part
17. Accessory holder
18. Additional battery charging slot
19. Power cord

## Accessories

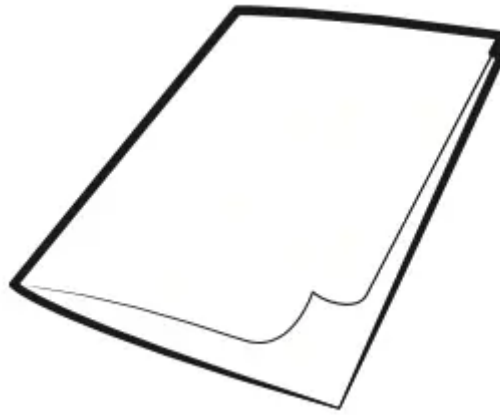
Accessories may differ depending on the models.



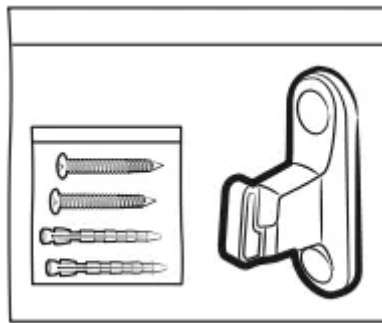
Pipe (Adjustable)



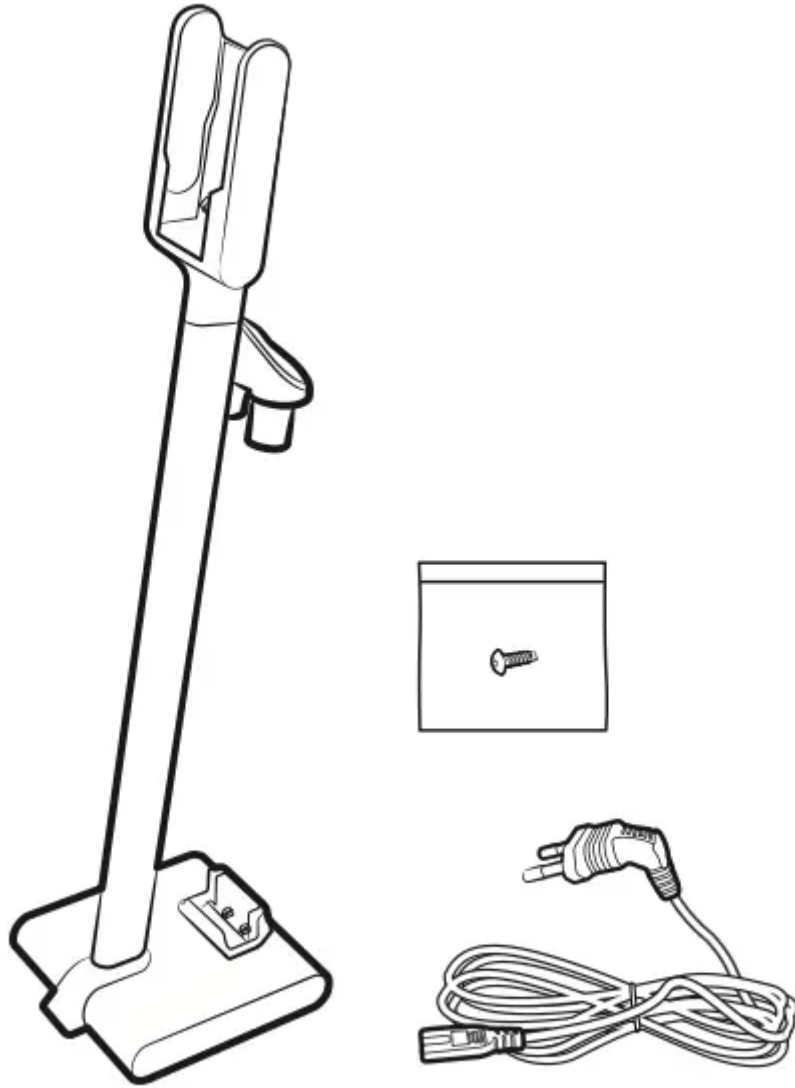
Battery



User manual



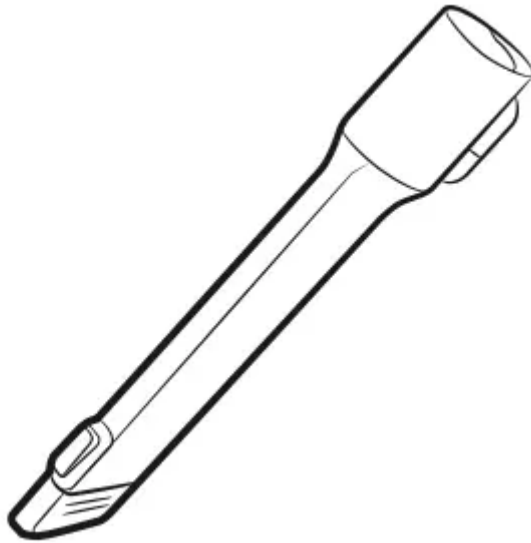
Screws: 2 EA / Screw anchors: 2 EA / Fixing hook: 1 EA



Charging stand / Screw: 1 EA / Power cord



Combination Tool



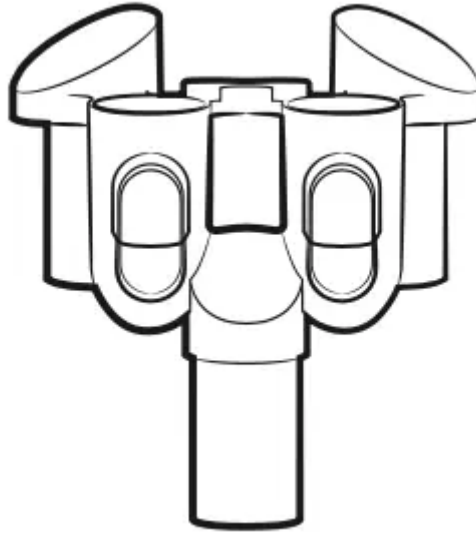
Extension Crevice Tool

**Optional**

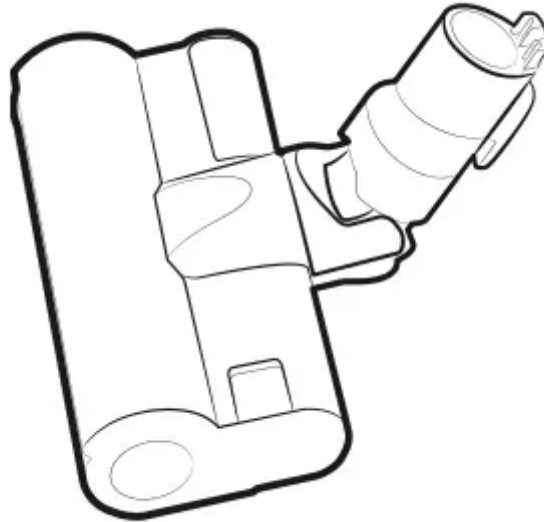


Flexible Tool





Brush holder



Soft Action Brush

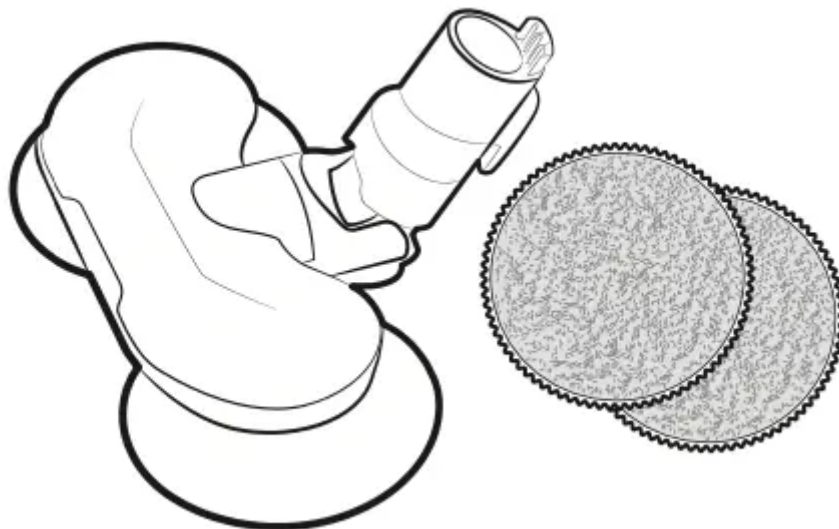




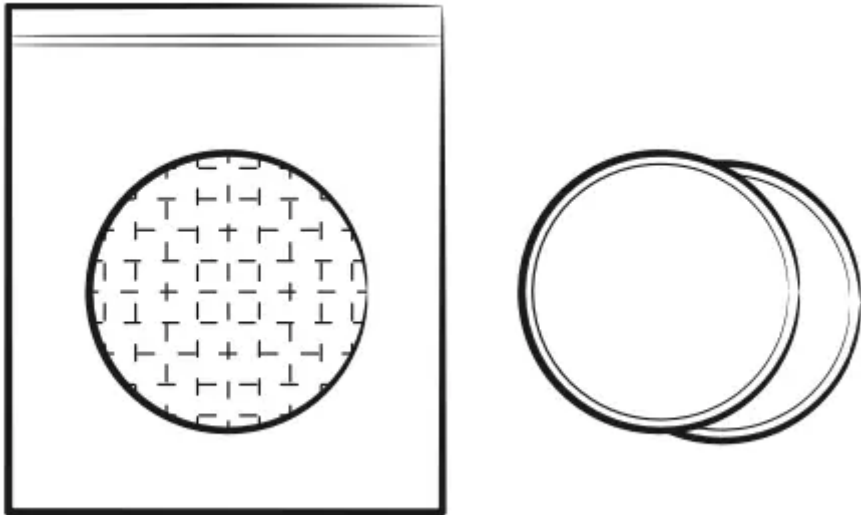
Turbo Action Brush



Mini Motorized Tool



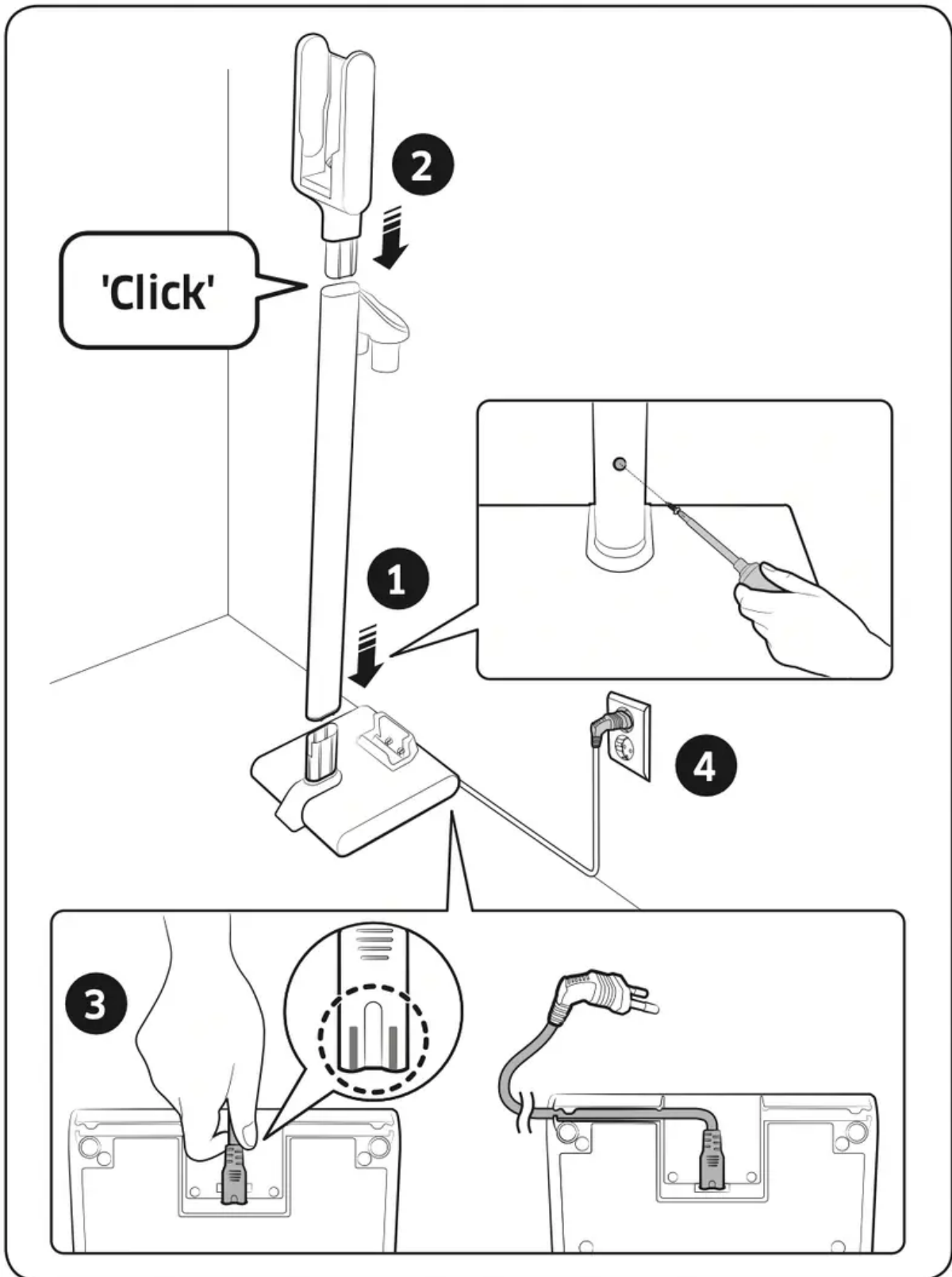
Wet Brush / Multi-use wet pad



Single-use wet pad / Attachable pad

### **Installing the charging stand**

### **Assembling the charging stand**



- 1. Place the stand pipe on the bottom support, and screw the pieces together using the included small screw.**

Make sure the pieces are aligned correctly and push it in firmly so that the screw hole is aligned.

**2. Insert the vacuum charging part at the top of the stand pipe.**

Do not disassemble it after attaching it.

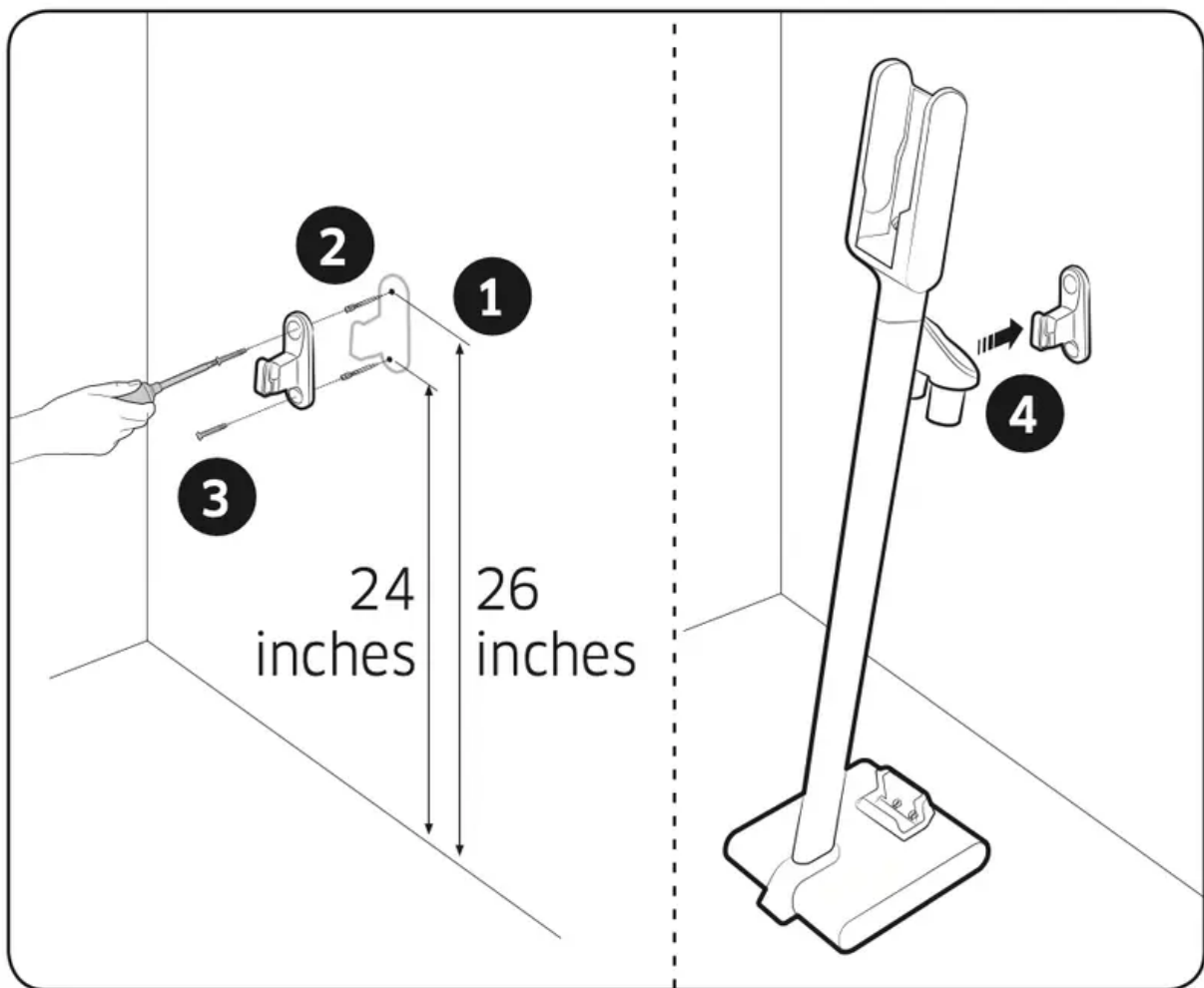
**3. Connect the power cord to the rear of the charging stand.**

Hold the connection part of the cord and push it onto the connection pins firmly until the gray lines on the tip of the cord are not visible.

To make it easier to place the stand directly against a wall, insert the cord into one of the grooves on the bottom of the bottom support.

**4. Plug in the charging stand.**

**Fixing by the hook**



1. Using the fixing hook as a template, mark where the top and bottom screw holes will be placed on the wall.

Top: 26 inches from the floor

Bottom: 24 inches from the floor

2. Drill the holes using a 1/4 inch. drill bit, and put the provided screw anchors into the hole.

3. Fix the fixing hook to the wall with the provided screws (large).

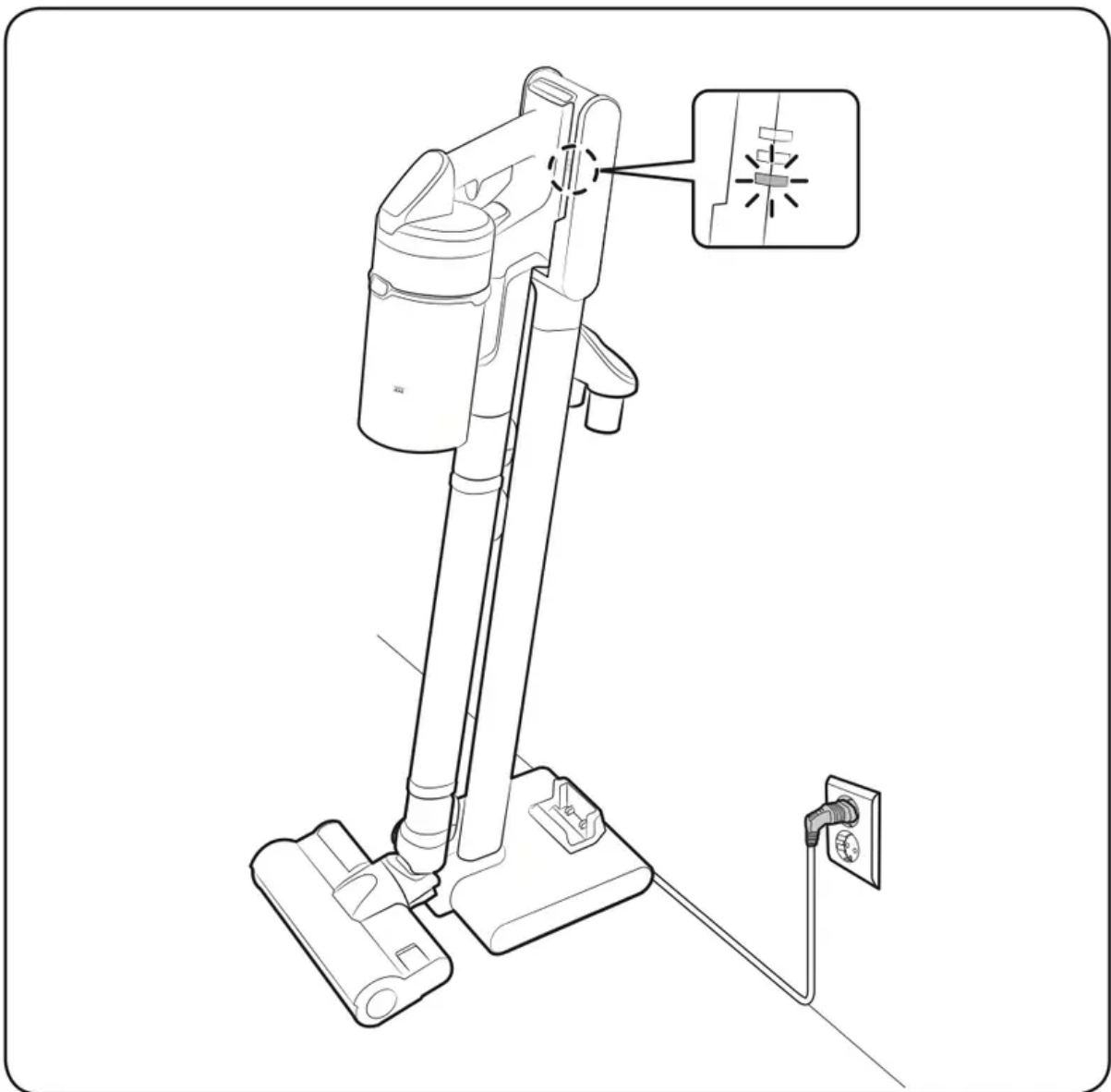
4. Hook the groove of the charging stand into the fixing hook.

# OPERATION

## Using the charging stand

### Charging

- Make sure the back of the battery is correctly placed onto the vacuum charging part.
- Check if the battery level indicator is displayed while charging.
- The battery level indicator blinks while charging. When charging is complete, the blinking stops and the light level dims.

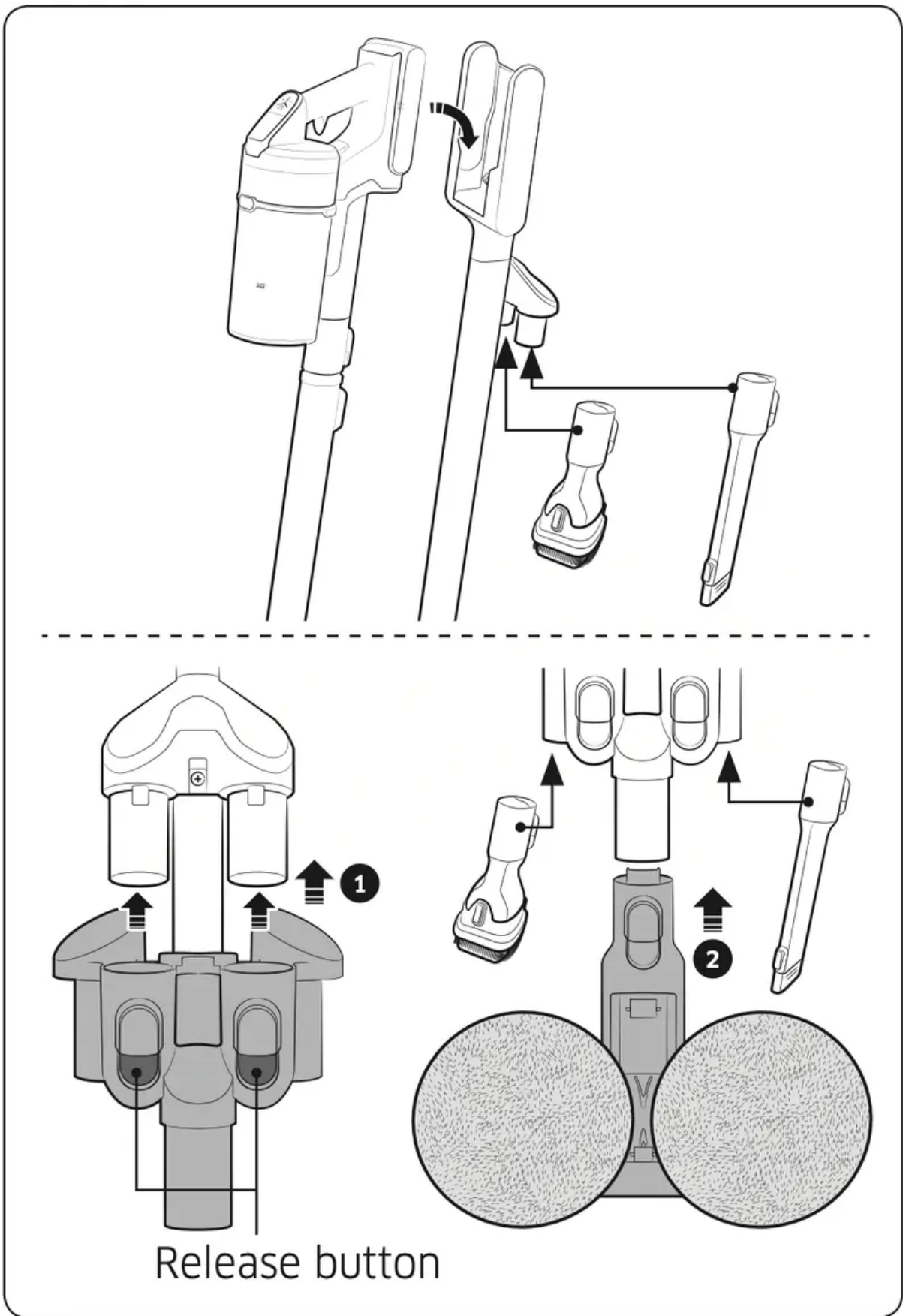


### Storing the accessories


- When accessories are disassembled to be stored, dust may fall from the suction part of the vacuum cleaner.
- After cleaning, shorten the pipe length and operate in MAX mode for 10 seconds.

### ***Storing the wet brush***

- When the brush holder is connected to the charging stand, the wet brush can also be stored at the charging stand.
- Do not connect the mini motorized tool to the brush holder, or it may get damaged.
- Clean and dry the wet pad brush pads before putting them away. When stored near a wall, the pads may touch the wall and get it dirty if they are not completely clean and dry.
- When disconnecting the brush holder, press the 2 release buttons on the holder.



## Charging the battery

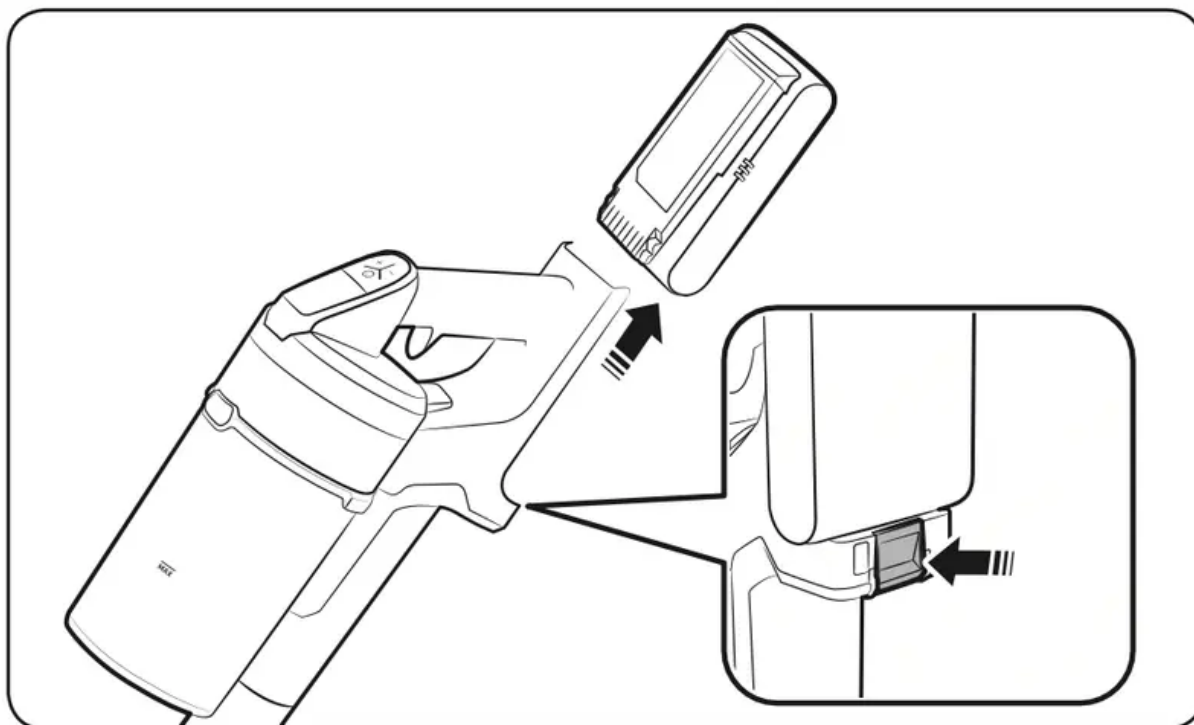
- When the battery level indicator is at its lowest level and blinks (  ) charge the battery.
- When charging the vacuum, make sure the connection part of the charging stand is correctly connected.
- The vacuum cleaner cannot be used while it is charging.

## CAUTION

- Before ejecting the battery, the product must be turned off. (If the battery is forcibly ejected while the vacuum is operating, the vacuum can malfunction.)
- Be careful not to drop the battery. If you do, you can injure yourself or damage the battery.

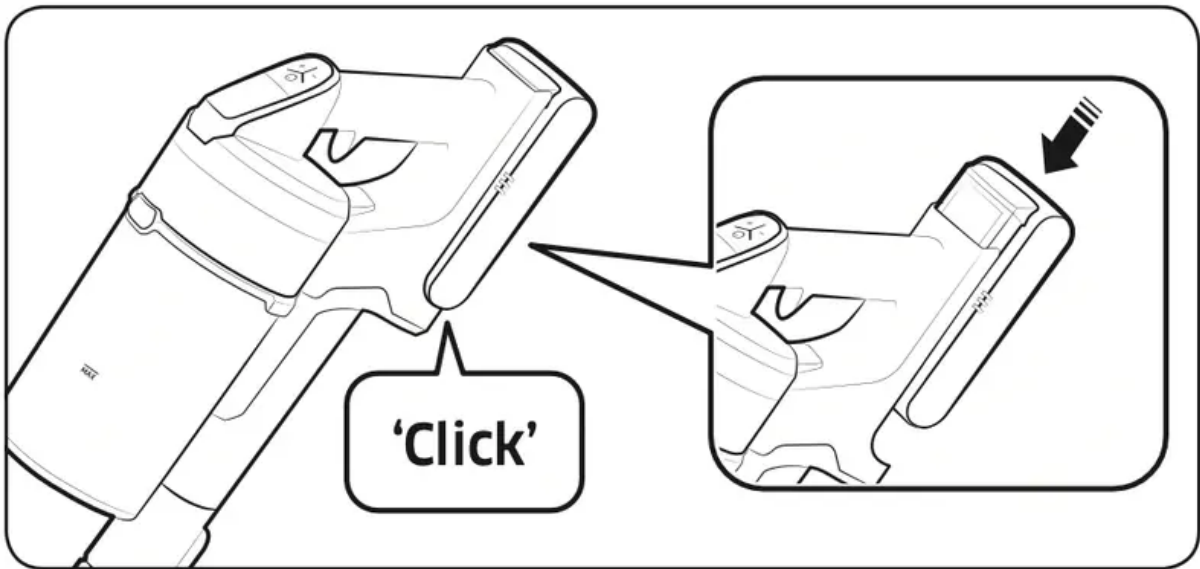
## Ejecting the battery

Press the battery release button at the rear of the handle to eject the battery.



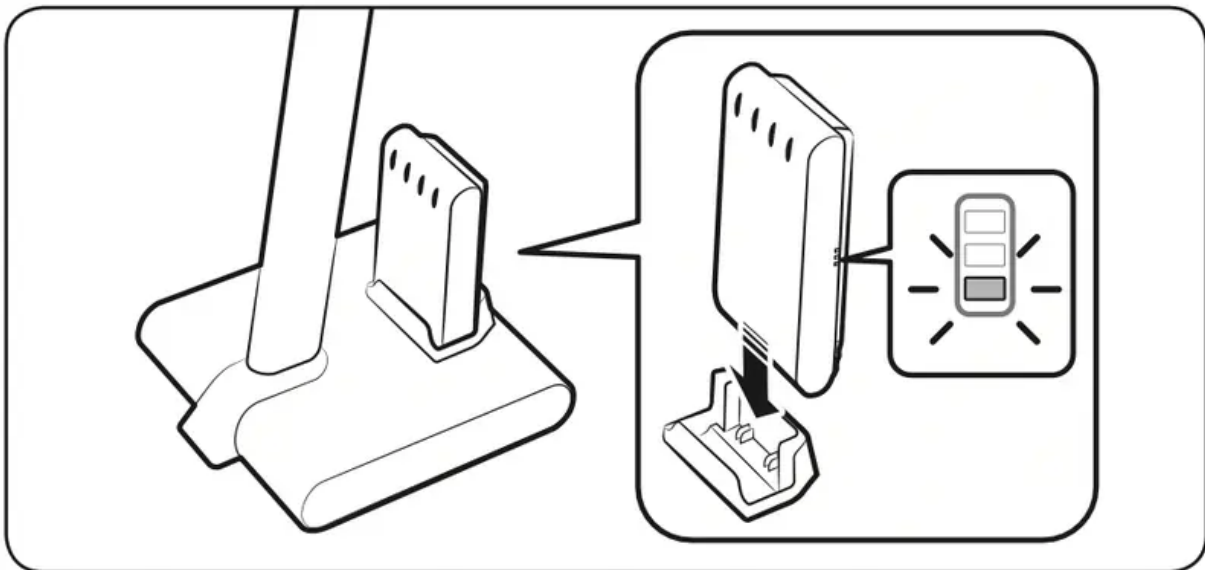
## Re-inserting the battery

Push the battery to the end until you hear it click.



### Charging the additional battery

- Charge the additional battery at the additional battery charging slot at the bottom of the charging stand.
- Push the battery in firmly.
- Check if the battery level indicator is displayed while charging.



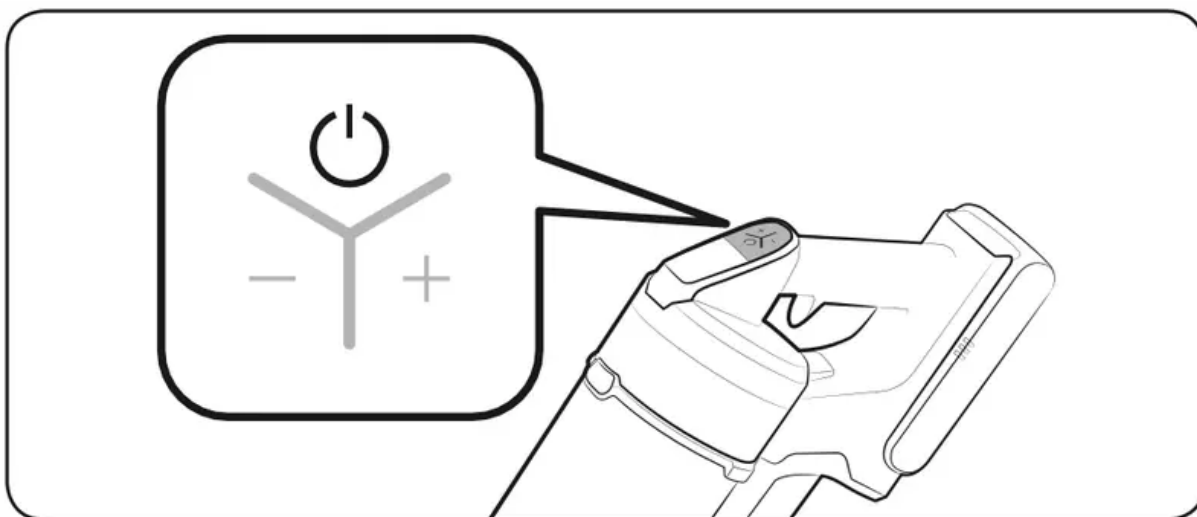
### Operating the vacuum cleaner

If the brush clings to floors (such as a carpet, a mat, or bedding, etc.) or does not spin properly, change the suction power to 'MIN' or 'MID' mode.

#### Power ( ) on / off

When pressing the power button, the vacuum cleaner starts operation in 'MID' mode.

- When the wet brush is assembled, operation starts in 'WET' mode.

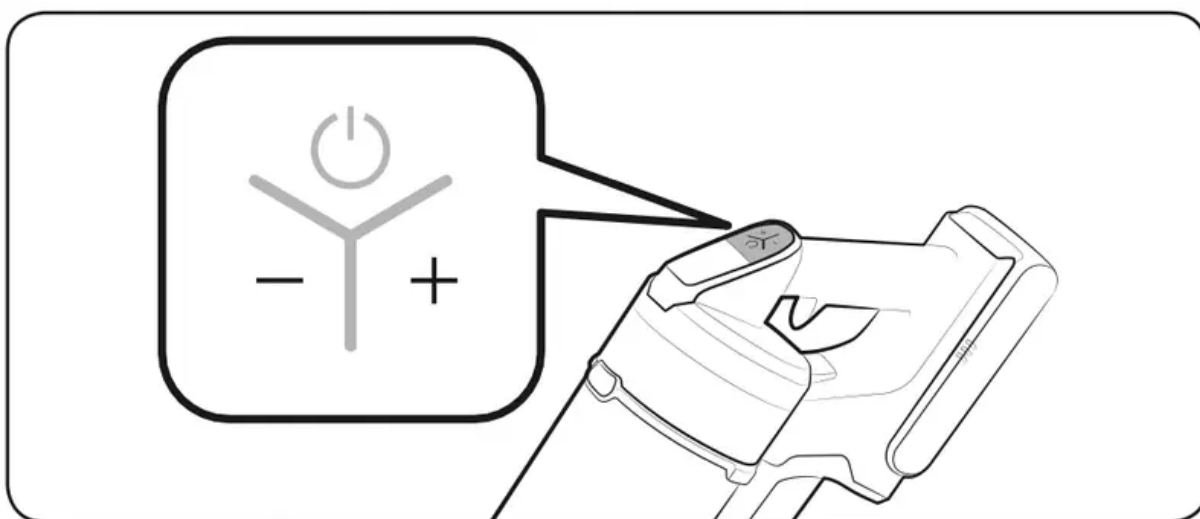


### Controlling suction power

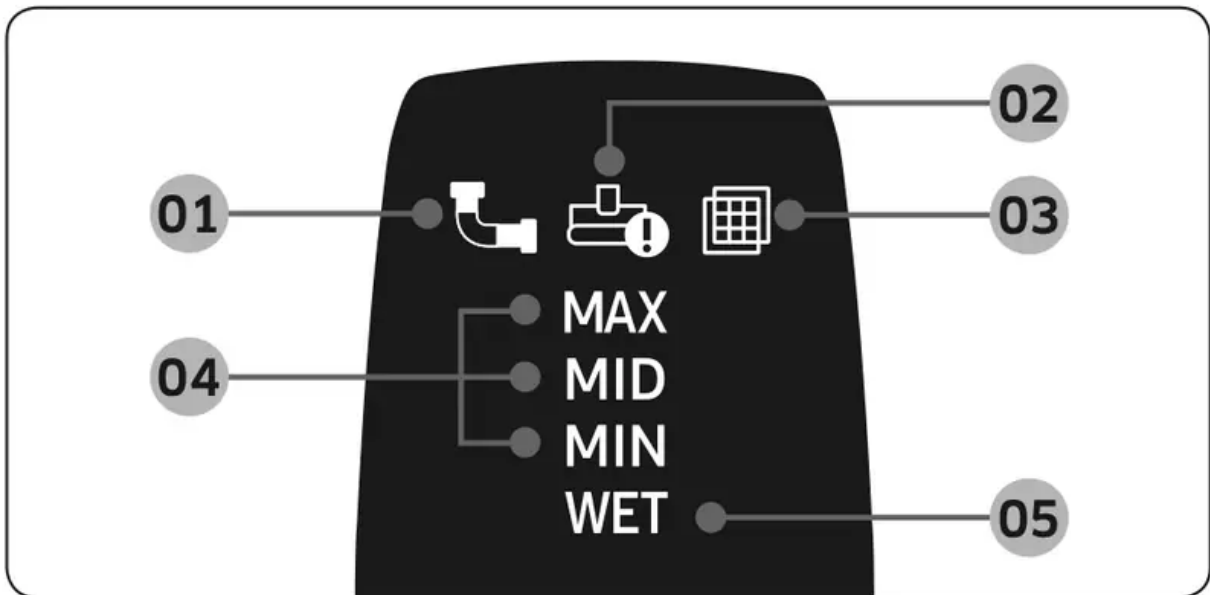
You can control the suction power of the vacuum cleaner.

- + button: Increases suction power.
- - button: Decreases suction power.

The suction power control button does not work in WET mode.



### Checking the display



1. **Clogged:** Something is clogging the dustbin, pipe, or the connected suction accessory.
2. **Spinning brush stuck:** Something is stuck in the connected spinning brush accessory. The spinning brush stuck display will not turn on if the spinning brush motor stops because it has overheated.
3. **No Filter:** The washable micro filter is not assembled correctly.
4. **Suction power:** Displays the current suction power.
5. **Wet brush cleaning mode:** Displays when the wet brush is assembled.

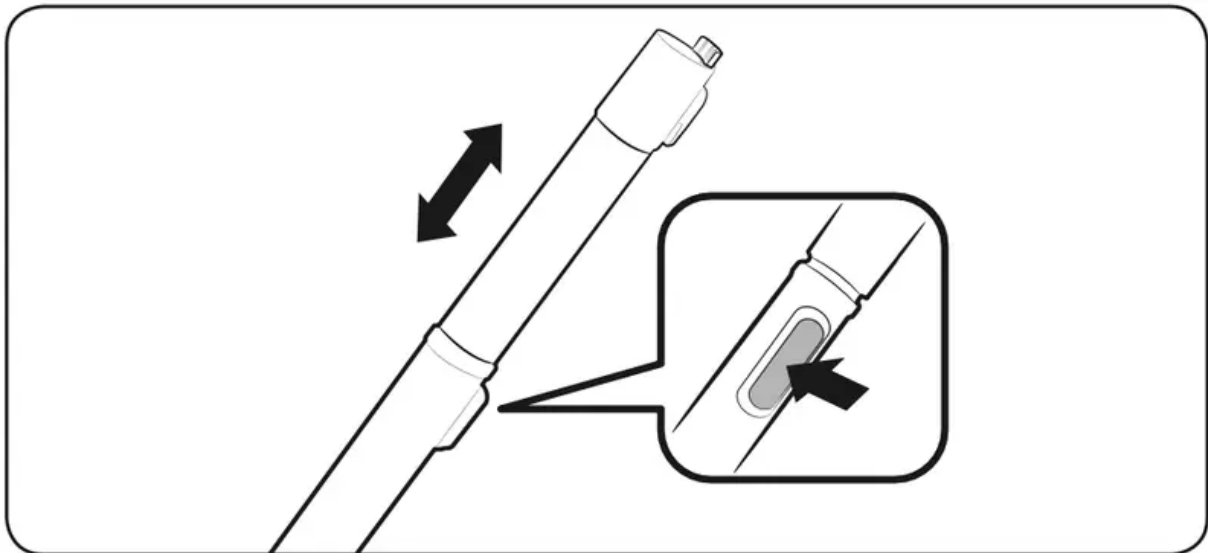
If either 01, 02, or 03 blinks a few times and the vacuum cleaner stops operation, please take action by referring to the maintenance part of this manual.

### Using the accessories

If the spinning brush stops working, check whether it has overheated or has something stuck in it. (Please refer to the troubleshooting part of this manual.)

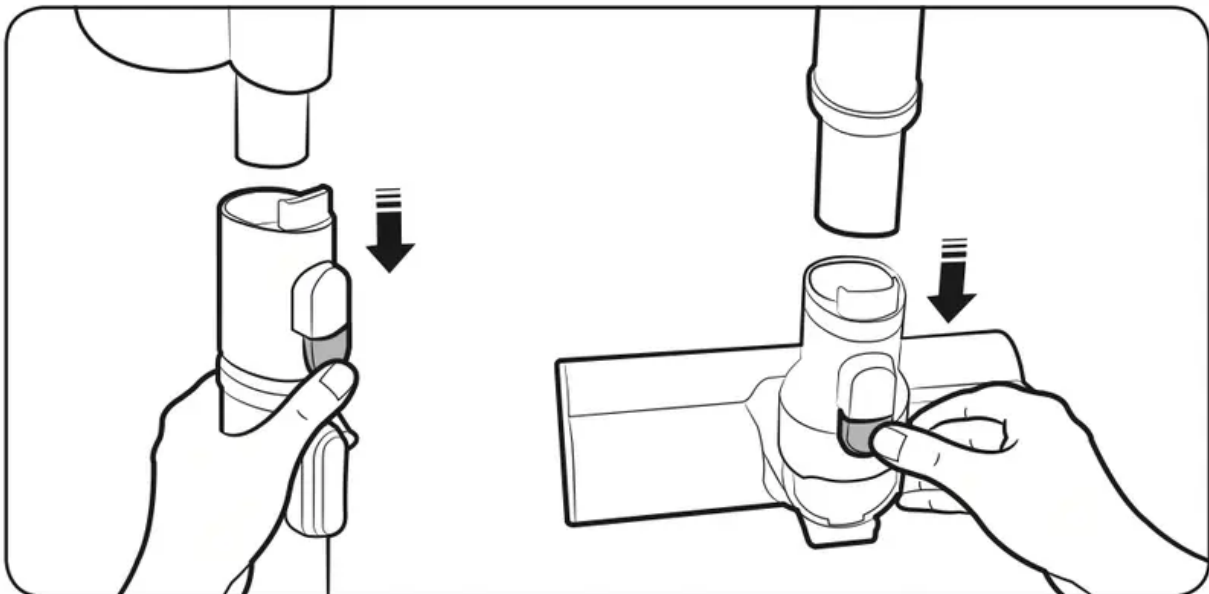
### Adjusting the pipe length

Press the button at the rear of the pipe to adjust the length of the pipe in 4 steps.



### Disassembling the accessories

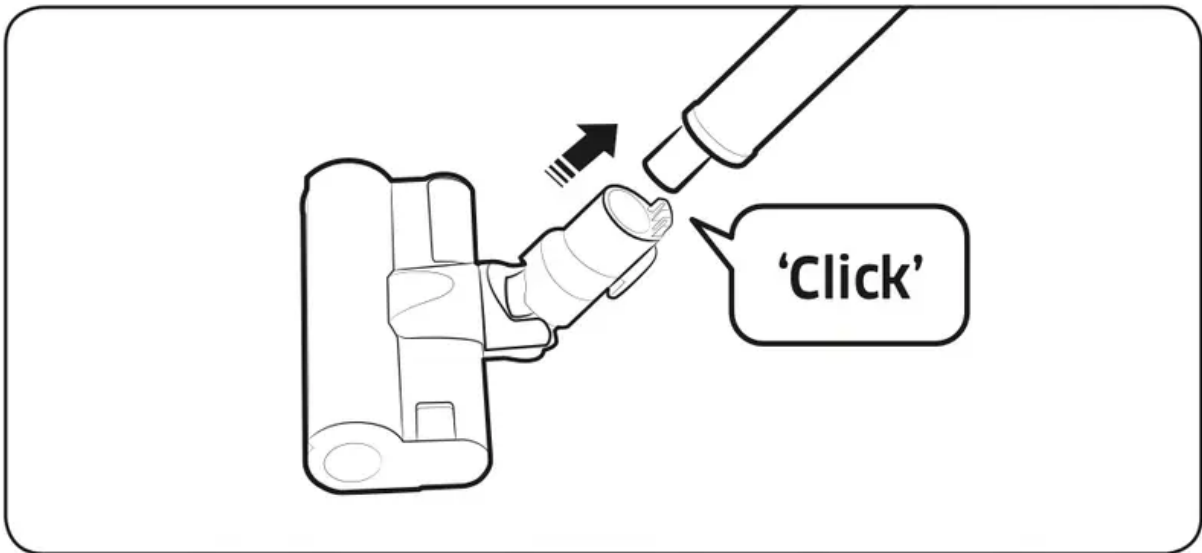
- When disassembling the pipe, press the release button at the rear of the pipe.
- Before disassembling the accessories, operate in MAX mode for more than 10 seconds to clean the accessories of any remaining dust or foreign matter.
- When disassembling the brush, press the release button at the rear of the brush.



### Soft Action Brush

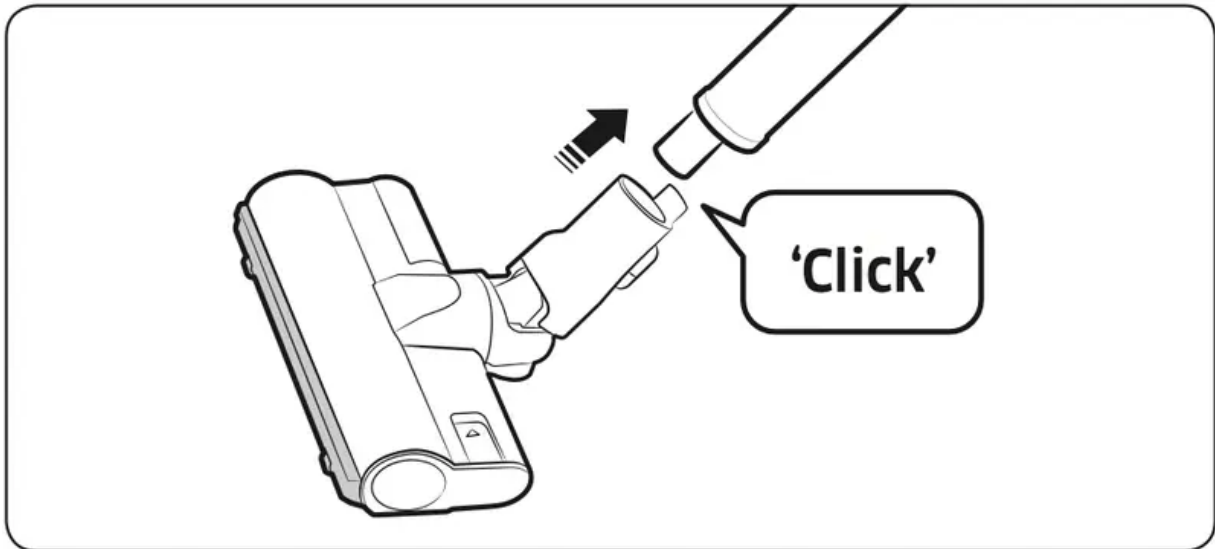
Use to clean a wood or linoleum floor.

- It is best for hard floor types.



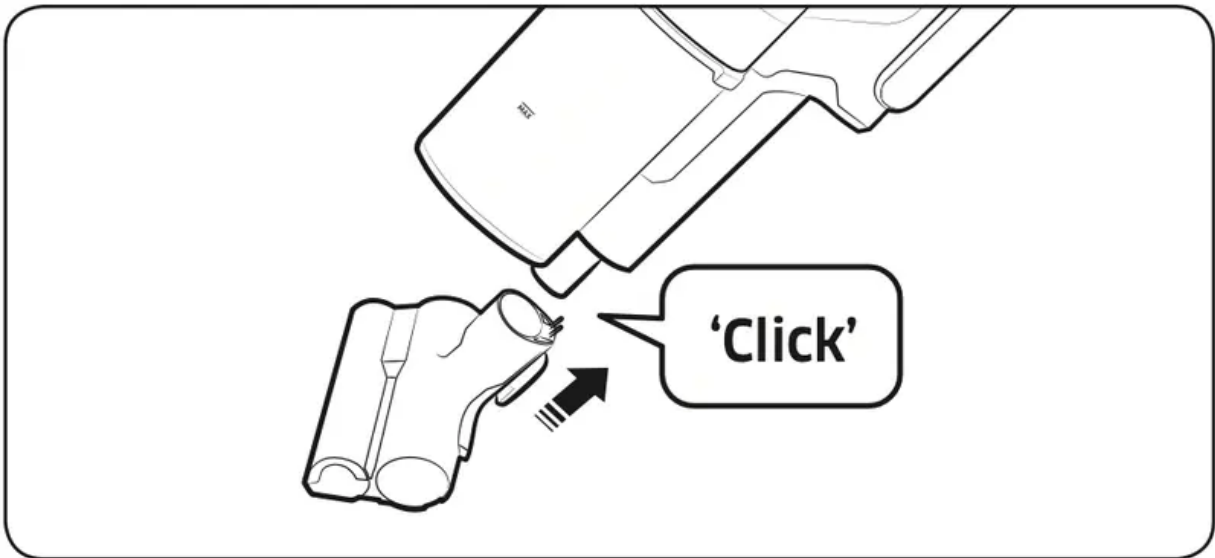
### **Turbo Action Brush**

Use to clean various floor conditions at home, it is also suitable to clean carpet.



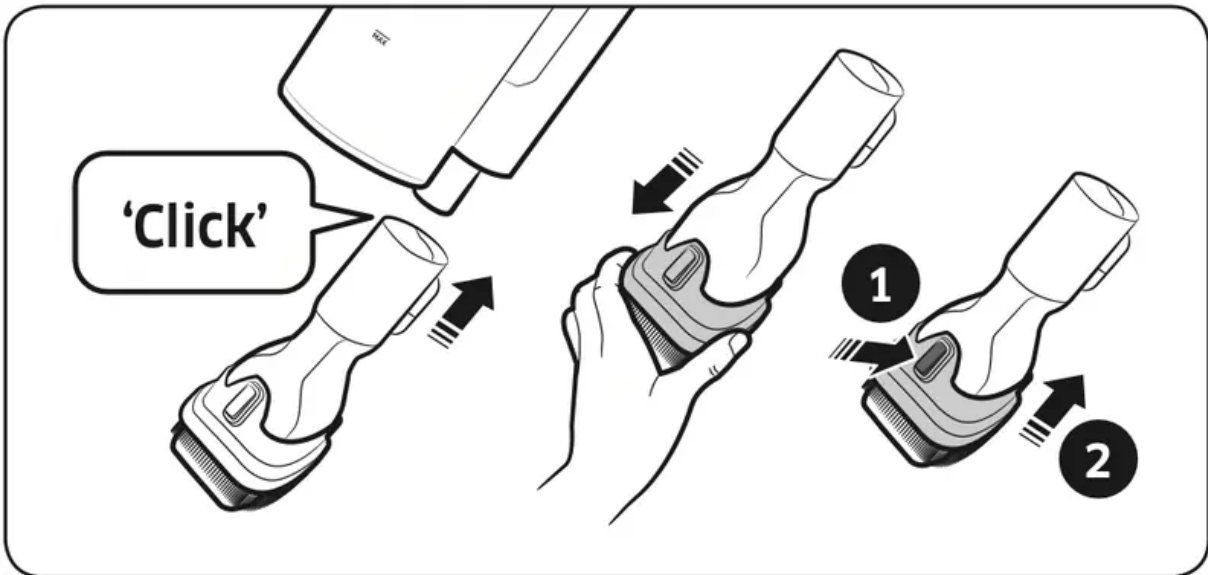
### **Mini Motorized Tool**

Use to clean bedding or sofas.



**Combination Tool**

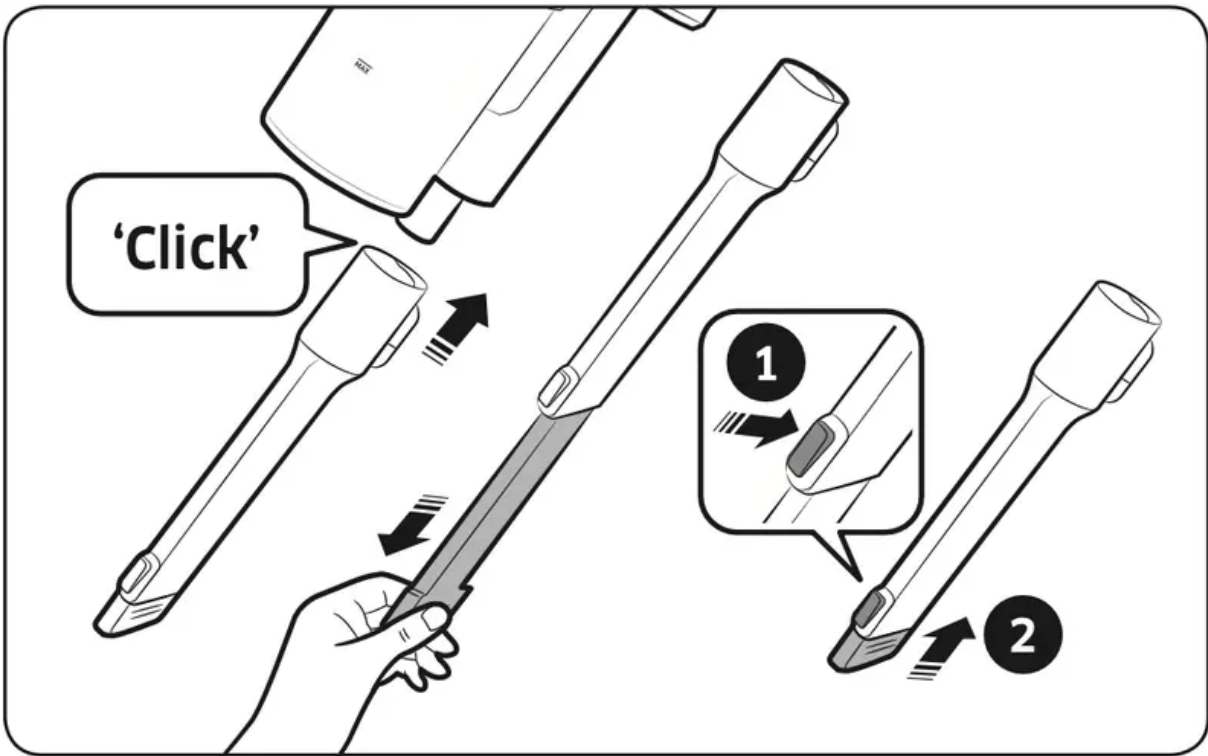
Use to remove dust from curtains, furniture, sofas, keyboards, etc.



**Extension Crevice Tool**

Use to remove dust from grooves of window frames, crevices, corners, etc.

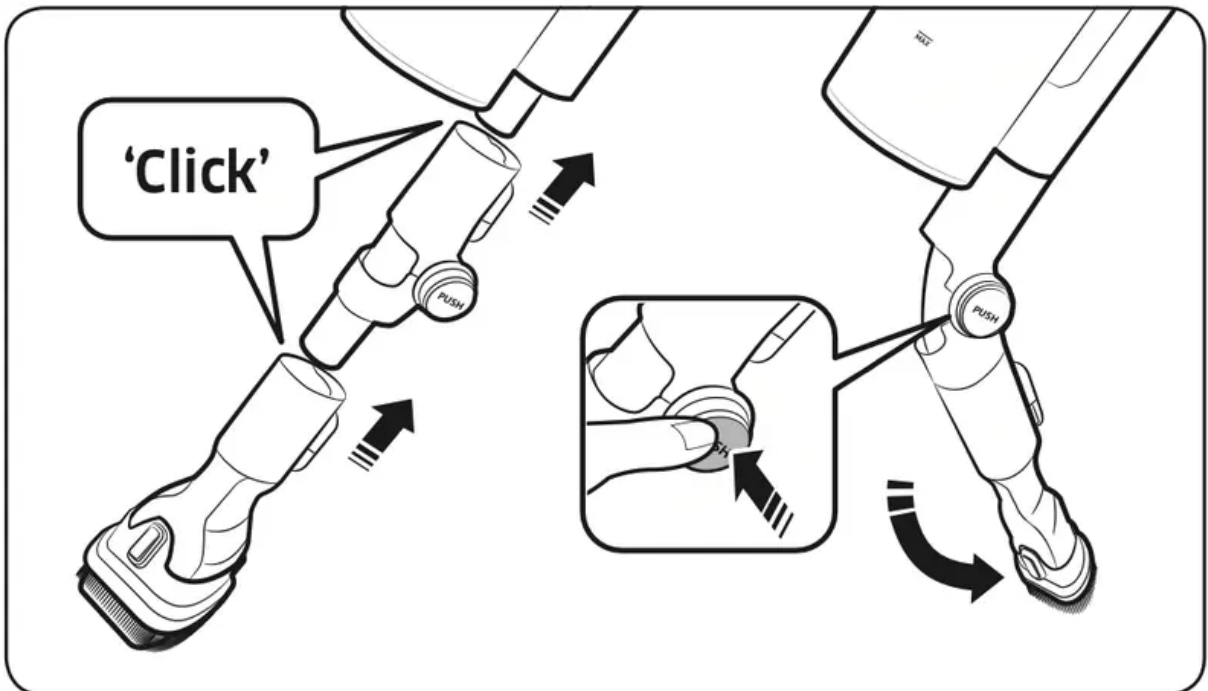




**Flexible Tool**

Use to clean the places hard to reach such as the upper or rear parts of furniture, or ceilings.

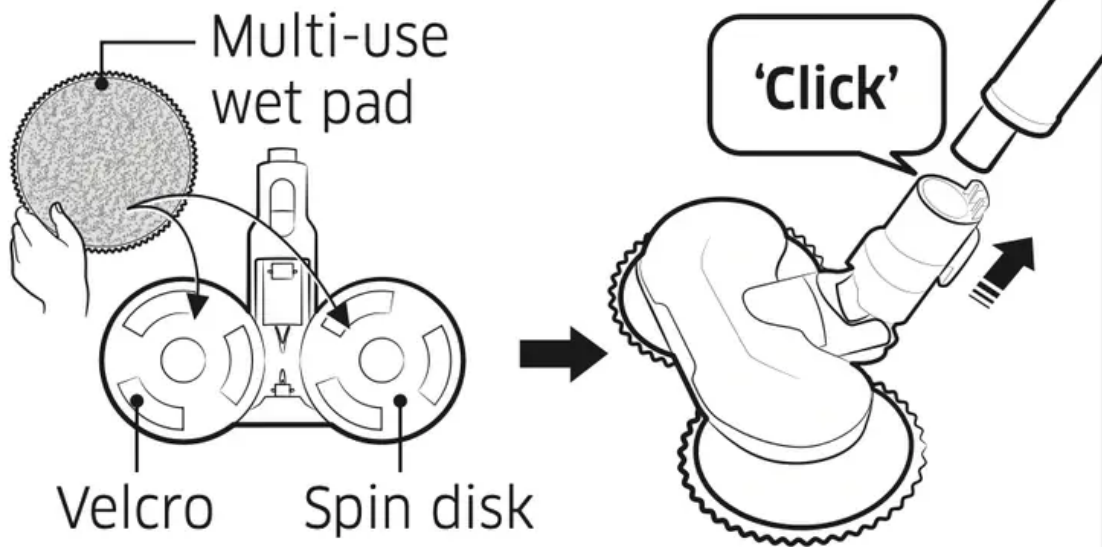
**NOTE:** The Flexible Tool can only be connected to the Combination Tool or the Extension Crevice Tool.



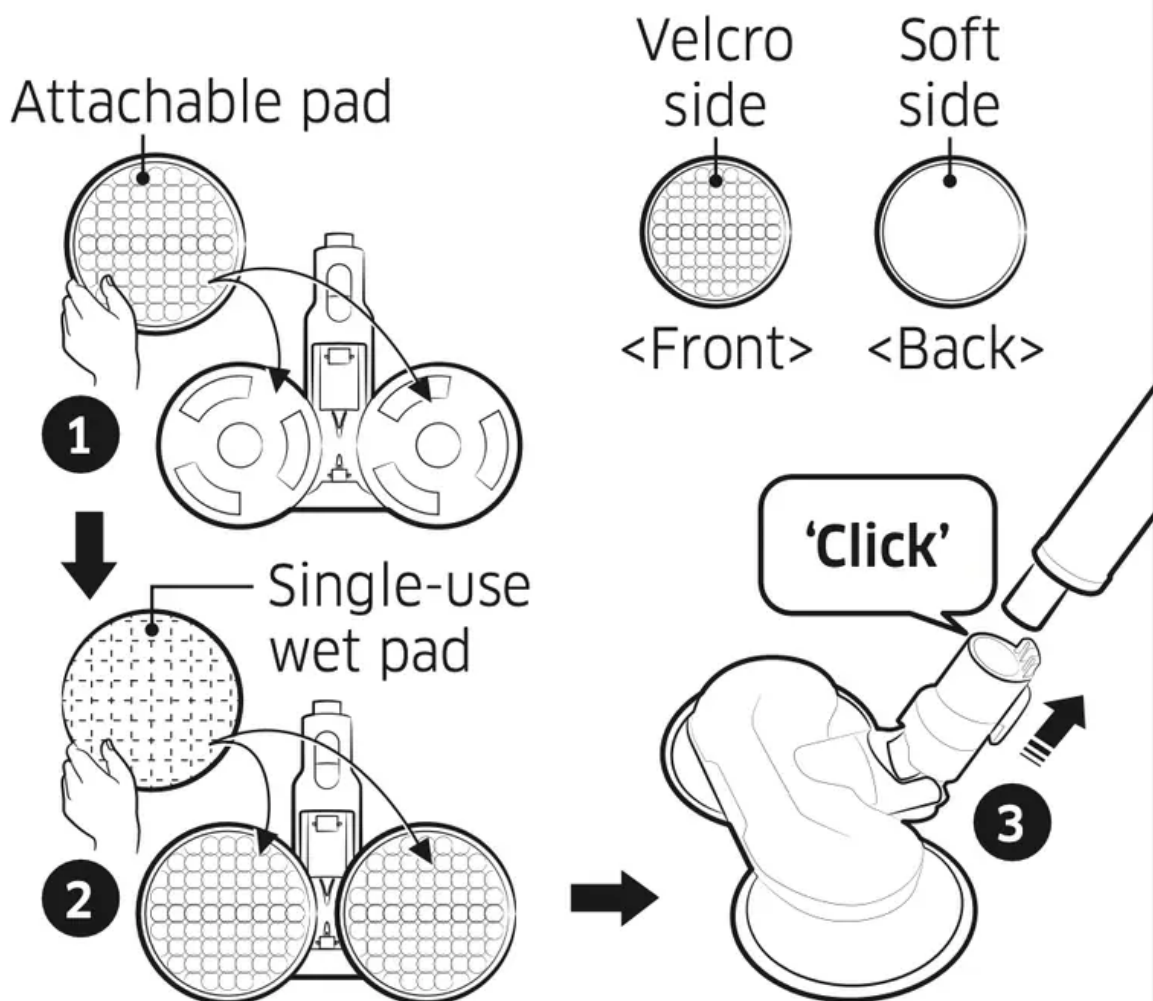
**Wet Brush**



## Using the multi-use wet pads



## Using the single-use wet pads



- Use to clean a wood or linoleum floor with a wet pad.
- The Wet Brush does not have a dust suction function.
- When attaching the wet pad, make sure the pad is in the center of the spin disk.
- After using the wet brush, store it at the brush holder.

### ***Using the multi-use wet pads***

Attach a multi-use wet pad to each spin disk.

### ***Using the single-use wet pads***

**1** Attach an attachable pad to each spin disk and **2** attach a single-use wet pad on top of each of the attachable pads.

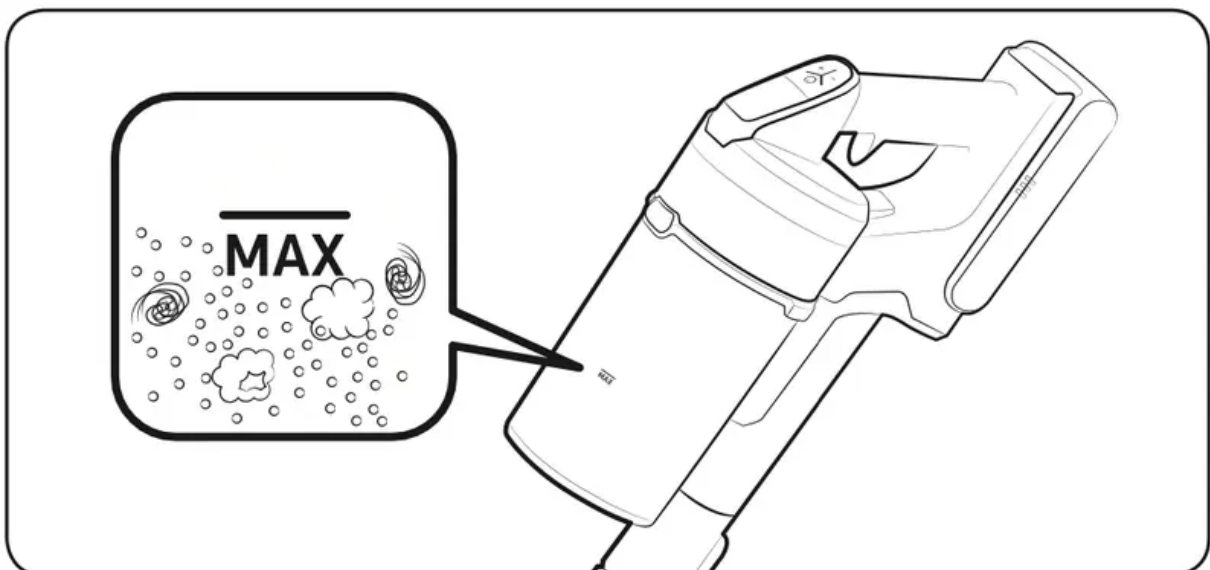
- When using the single-use wet pad, make sure the direction of the attachable pad is correct. Velcro side is the front side.
- Discard single-use wet pads after use. Keep the attachable pads for future use.
- If you use single-use wet pads without the attachable pads, the cleaning performance will not be as good.

## **MAINTENANCE**

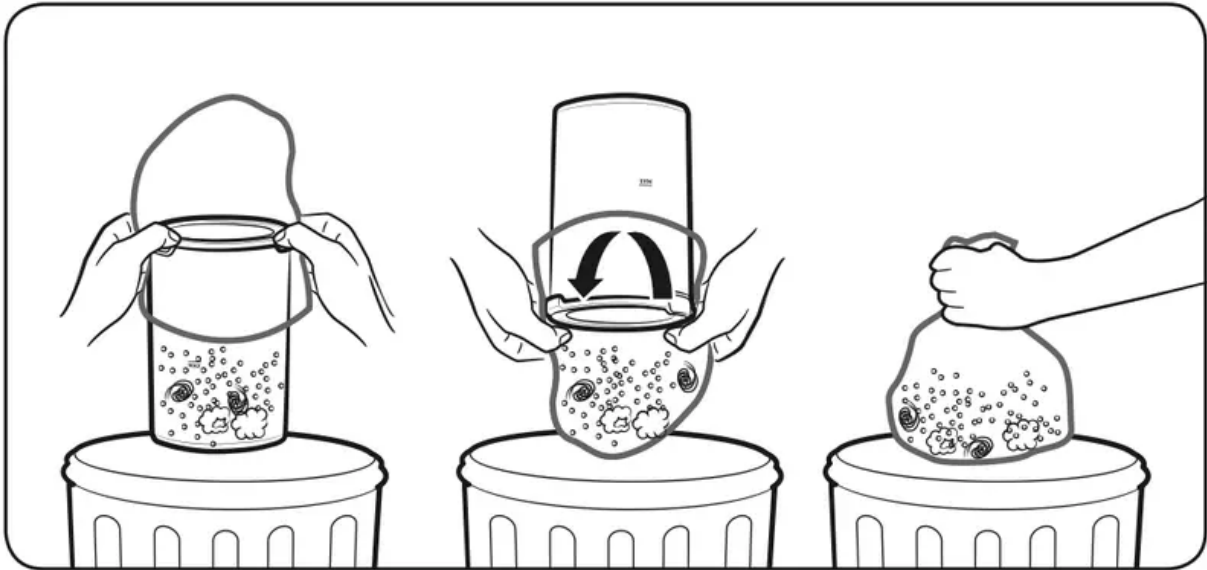
### **CAUTION**

- Turn off the vacuum cleaner before cleaning it.
- If the dustbin or filter is filled with dust, the vacuum cleaner may stop to prevent overheating.
- You should clean the dustbin or filter before it fills to the MAX line.

### **When to empty the dustbin**

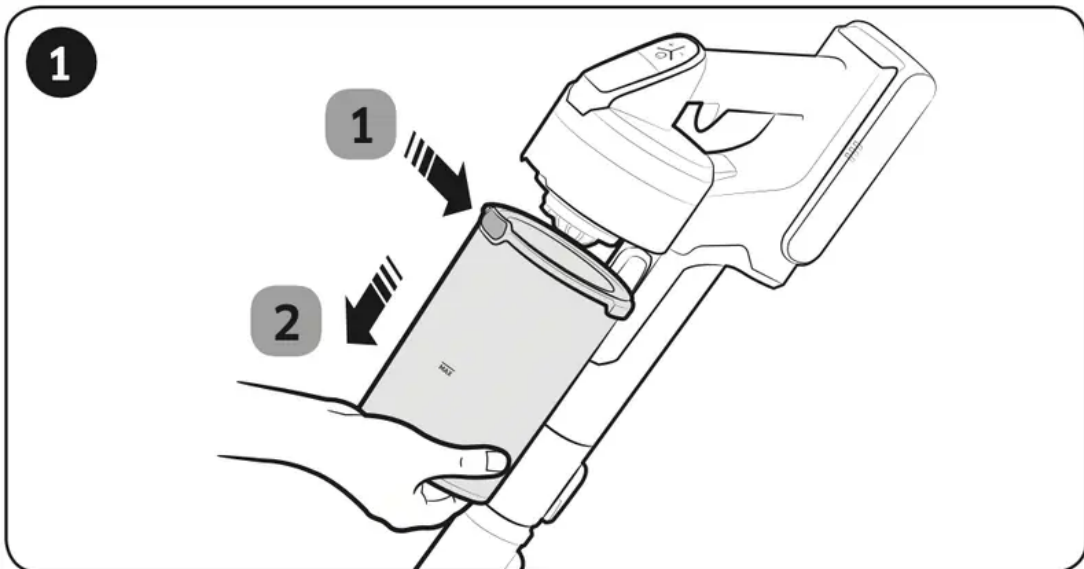


## Emptying the dustbin easily without causing dust clouds

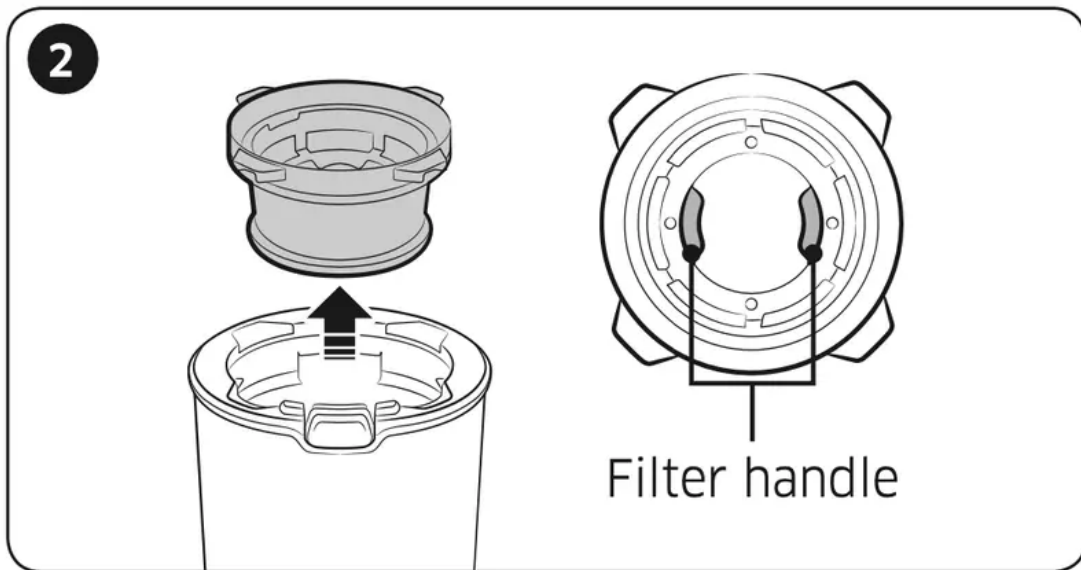


## Emptying and cleaning the dustbin

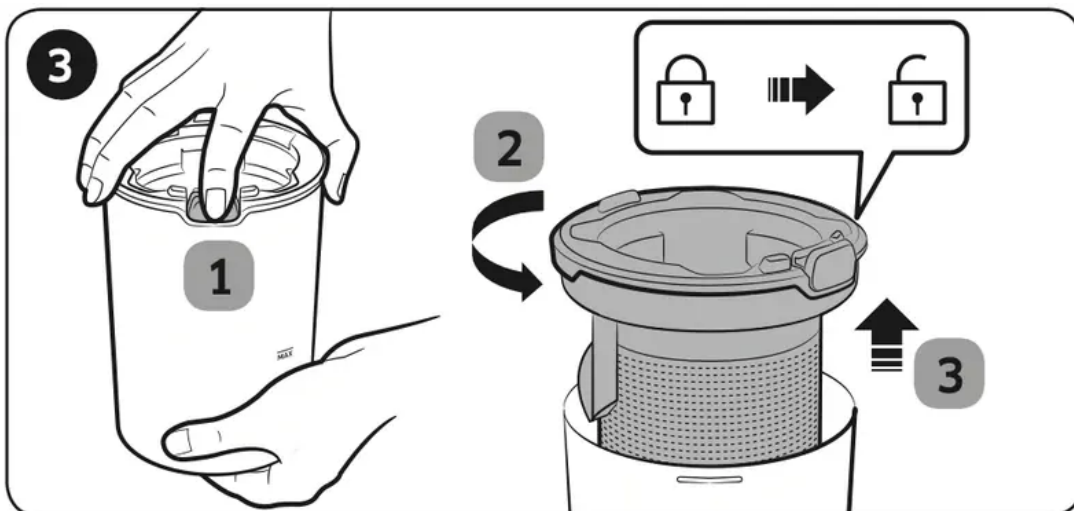
1. **1** After pressing the dustbin release button, **2** pull the dustbin in the direction of the arrow.



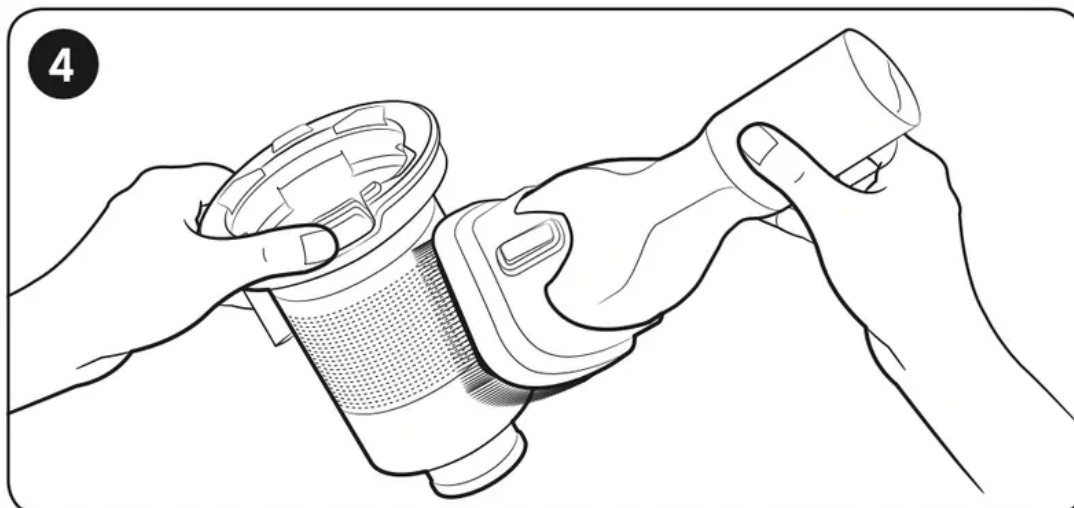
2. Pull the washable micro filter out by pulling up on the filter handles inside the washable micro filter (marked PULL).



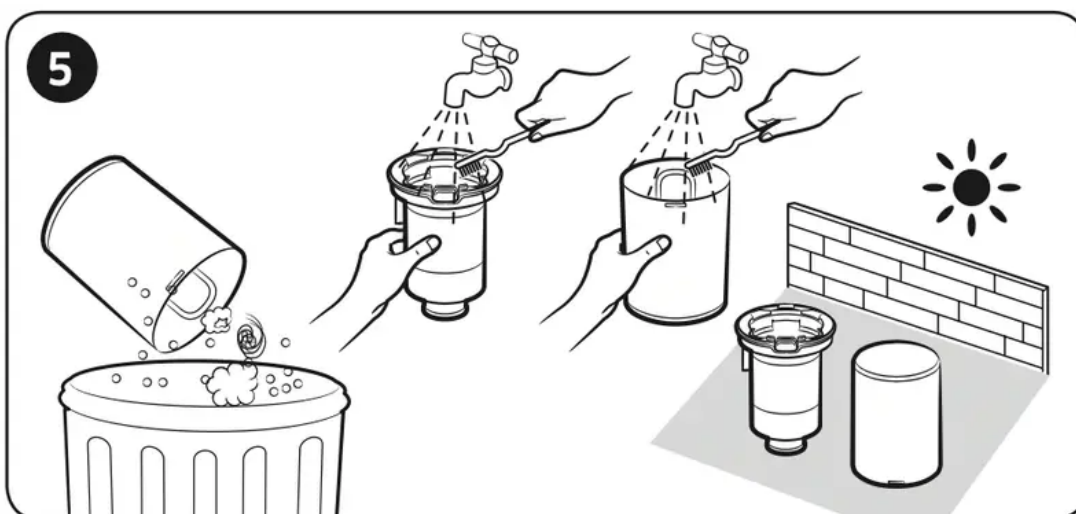
3. 1 While pressing the button, 2 turn the dustbin cover and 3 remove it from the dustbin.



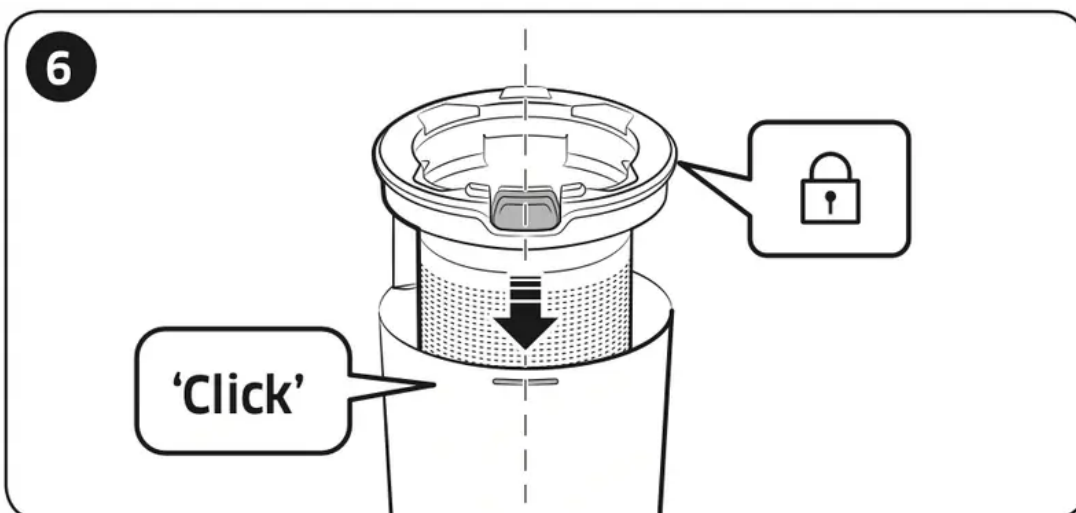
4. Brush the dust off the metal mesh grille filter with the combination tool.  
Do not pull the rubber attached to the metal mesh grille filter.



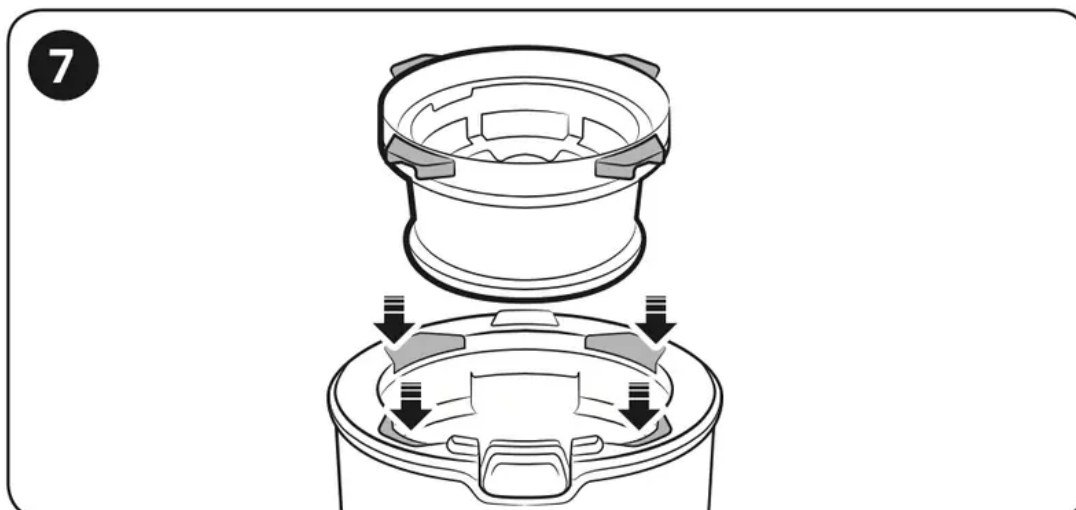
5. After emptying the dustbin, clean it and dry in the shade.  
When heat is applied, product malformation may occur.



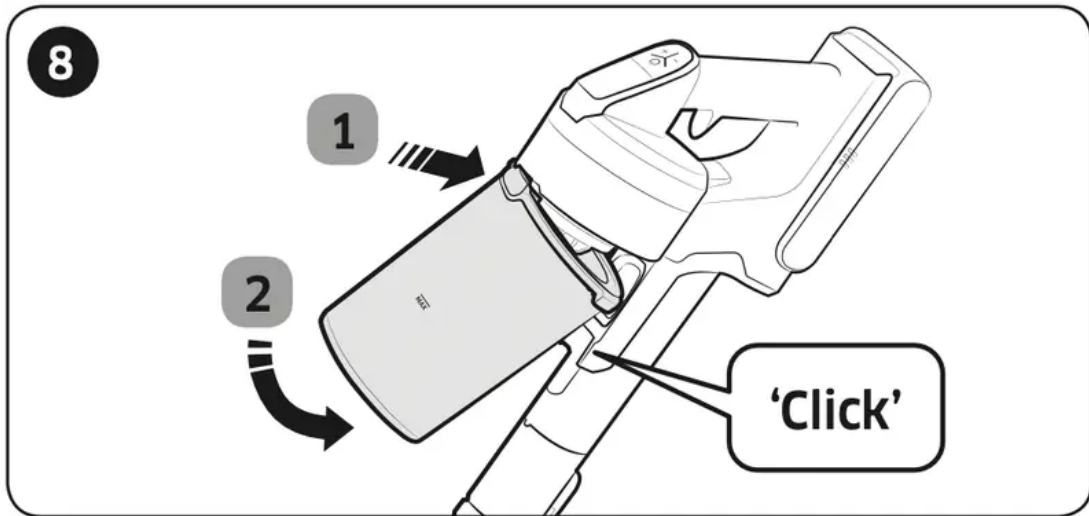
6. Reassemble the dustbin cover aligning the dustbin release button with the groove of dustbin.



7. Put the washable micro filter in the dustbin cover by fitting in grooves of the dustbin cover.



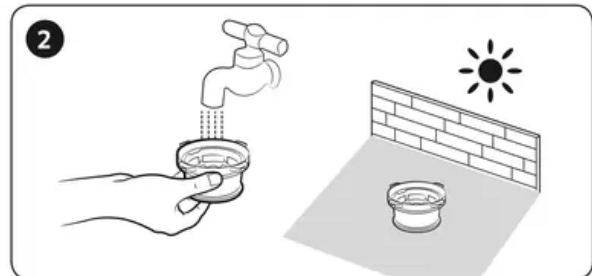
8. Assemble the dustbin to the vacuum in the order shown in the image by pushing it until you hear it click.



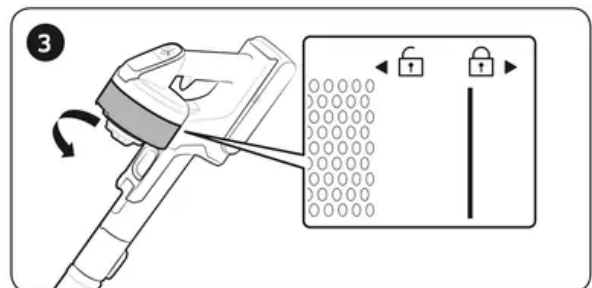
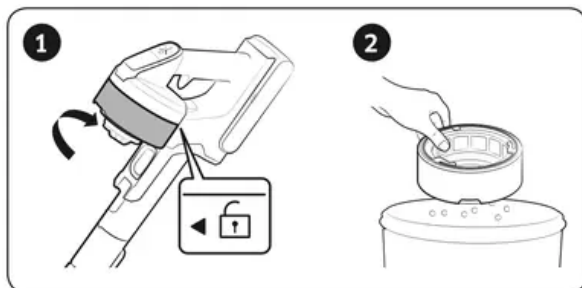
## Cleaning the filter

- To maintain the best performance of the filter, remove the dust on the filter frequently and clean the filter with water once a month.
  - After cleaning, dry completely for more than 24 hours in the shade before use.
  - When heat is applied, product malformation may occur.

## Washable micro filter



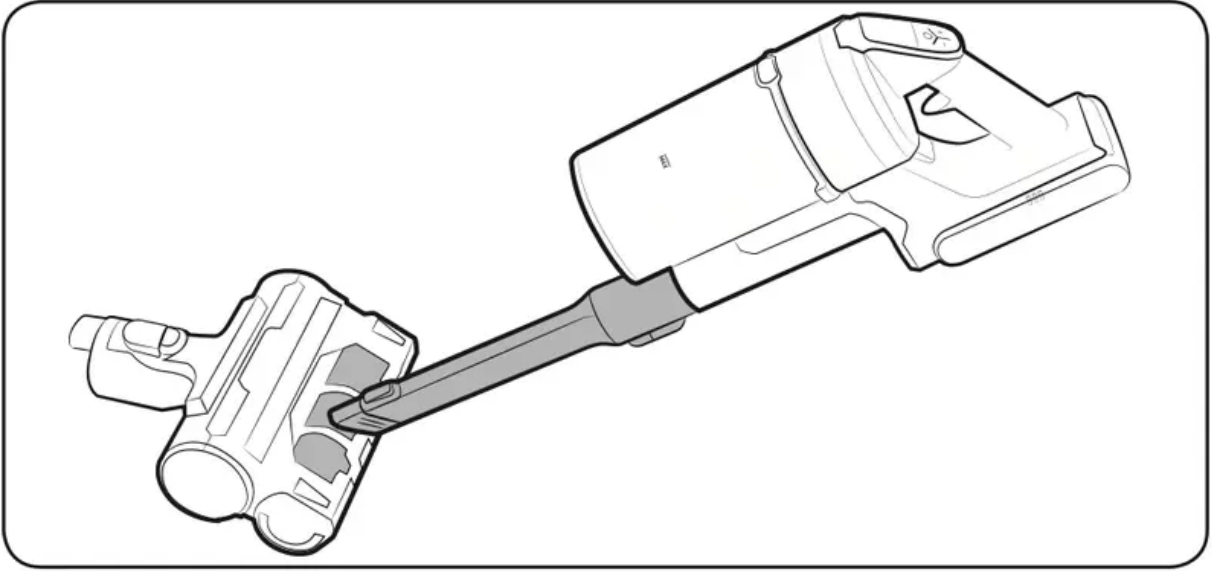
## Ultra fine dust filter



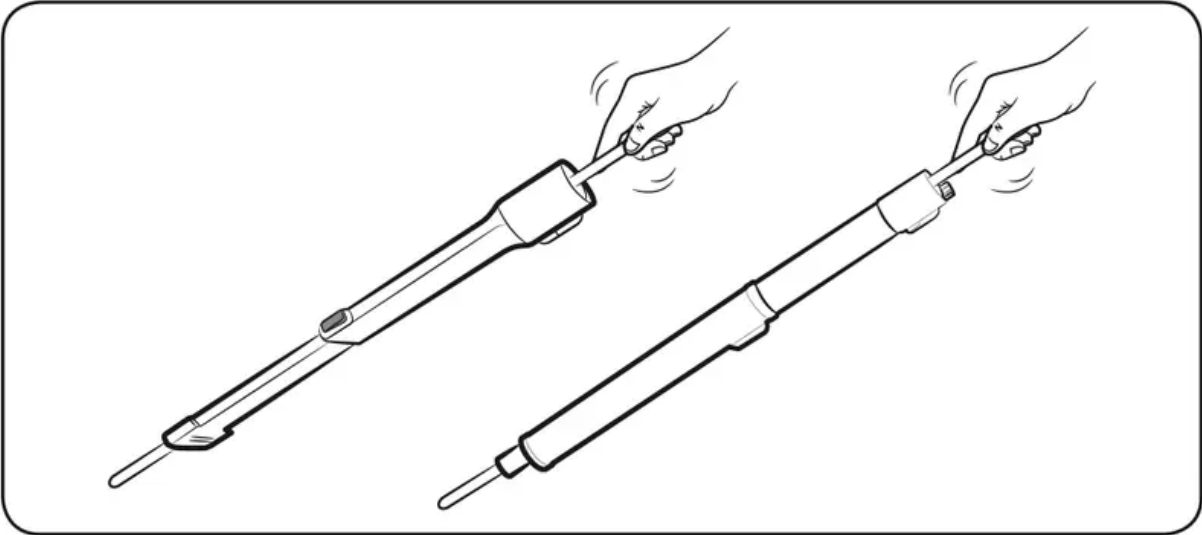
When assembling, turn the filter until the line below the lock image is not visible.

## Cleaning the accessories

### Mini Motorized Tool

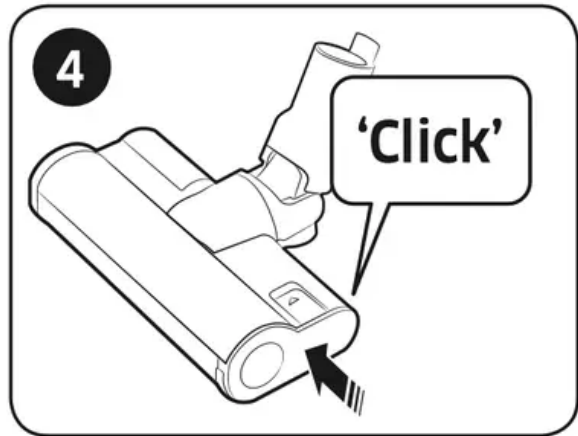
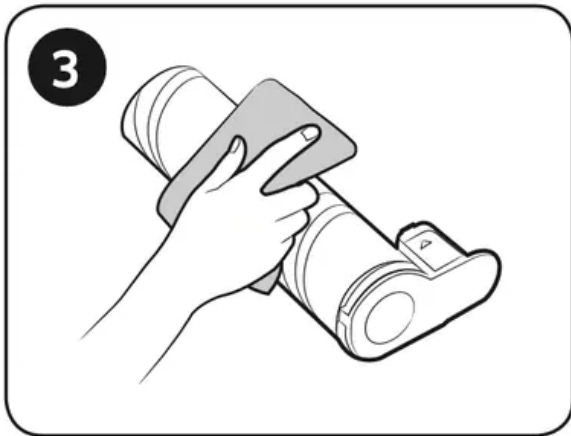
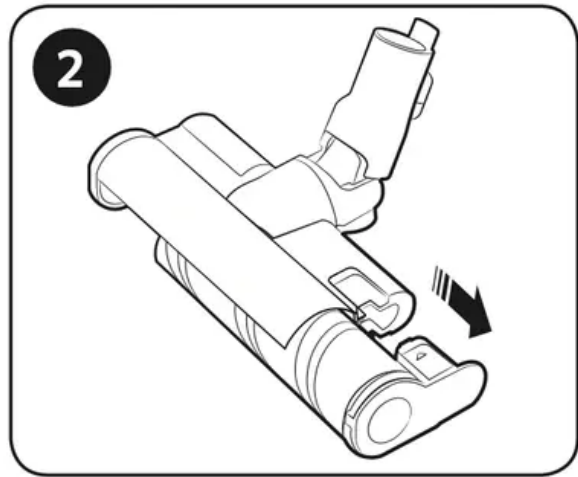
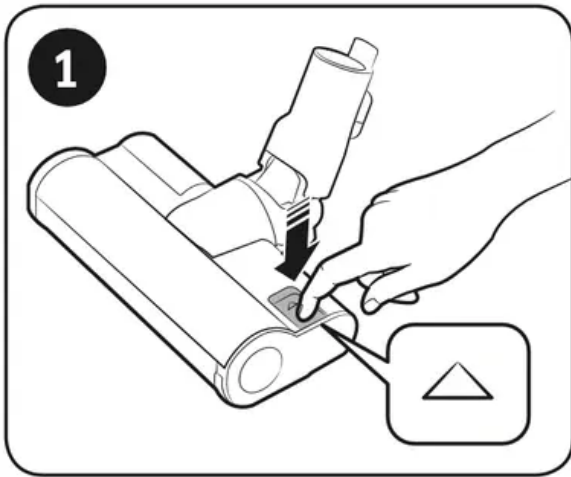


**Extension Crevice Tool / Adjustable pipe**



**Soft Action Brush**





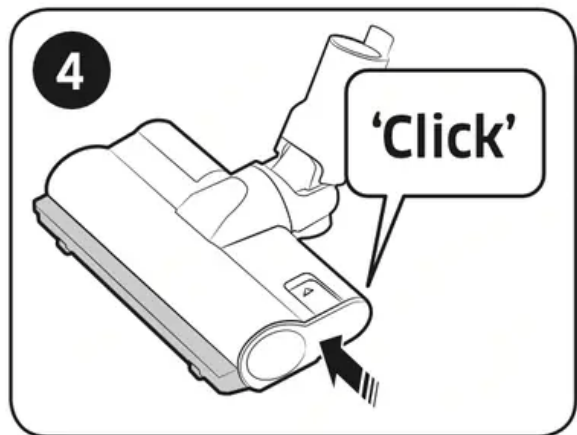
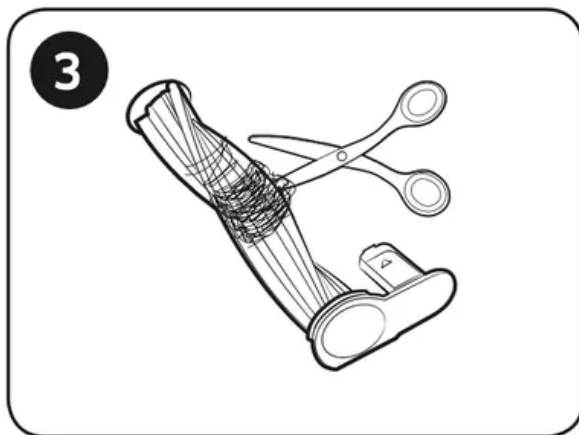
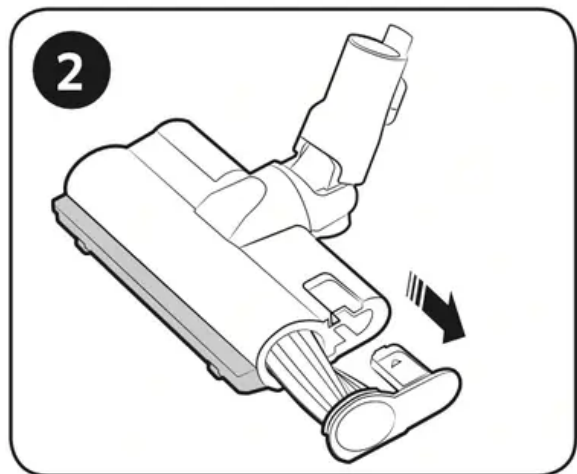
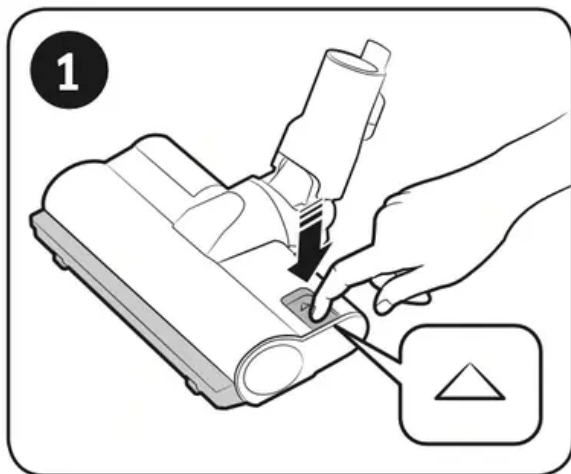
**NOTE:** When foreign matter remains on the brush, remove it with a wet tissue or a dry cloth.

**CAUTION**

- Do not clean the spinning brush and suction part with water.
- Do not use the Soft Action Brush to remove moisture such as spilt liquid or pet's waste.

**Turbo Action Brush**



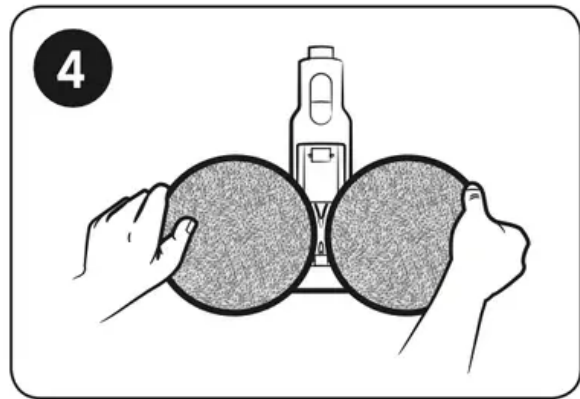
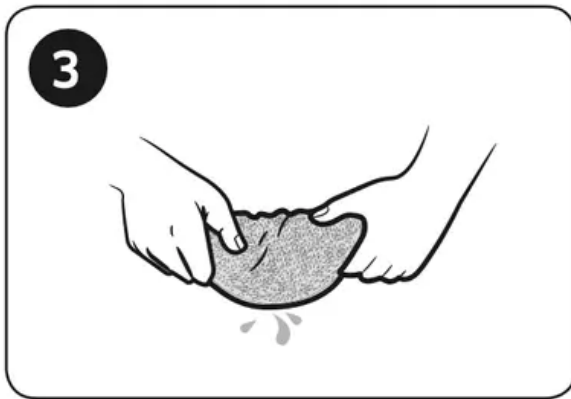
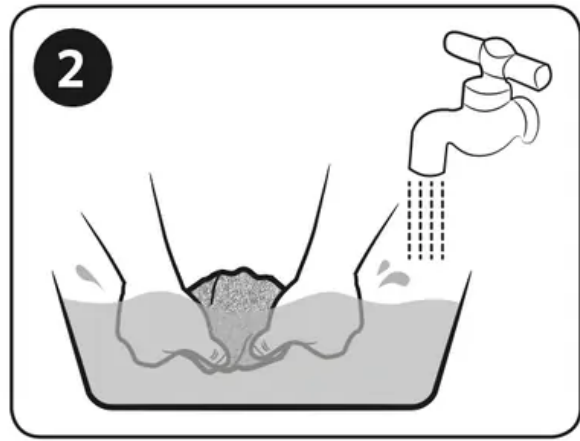
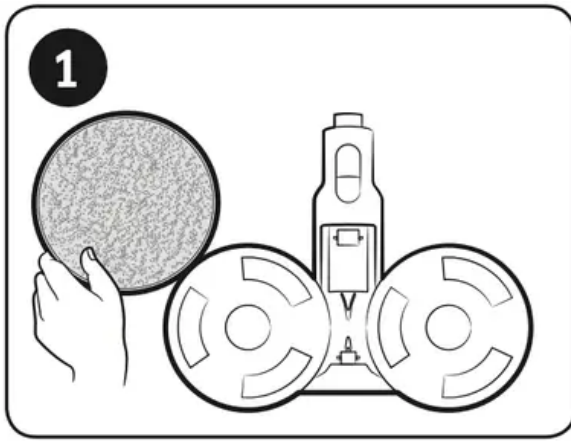


- If the foreign matter is not removed, use scissors to remove it.

#### NOTE

- If a cloth or other foreign matter is vacuumed up and tangled with the spinning brush, the spinning brush will stop working to protect the brush motor. After cleaning the brush, turn the power off and then on again.
- If a brush does not work after cleaning, turn the power off and then on again.
- When cleaning the brush, be careful not to catch your fingers in the fold of the brush.

#### Wet Brush



**NOTE:** If the spinning brush does not work even after cleaning the Soft Action Brush and Wet Brush, the overheating prevention device of the brush motor might be in operation. Wait 30 minutes or more to cool the motor and operate again.

## APPENDIX

### Notes and cautions

#### Battery usage

##### NOTE

- If your vacuum cleaner does not work after you charge the battery, change the battery. If it still does not work with the new battery, contact a Samsung service center.
- You can charge two batteries at the same time. Additional battery is sold separately.
- When you purchase a battery in a Samsung service center, check for the genuine Samsung logo on the battery ( ) and the battery name (VS20R90\*\*\*\* Series: VCA-SBT90 / VS15R85\*\*\*\* Series: VCA-SBT90E).

##### CAUTION

- Do not disassemble the battery or the charging stand.
- Do not apply heat to the battery and do not put the battery in a fire.

- As the battery is manufactured only for this product, do not use the battery for other electronic appliances or other purposes.
- Removing the battery during operation may cause product malfunction.
- If the battery is removed while the vacuum cleaner motor is operating, the battery may not work for 30 seconds after being re-attached for safety reasons.
- Battery charging time and usage time may shorten with increased battery use. When the battery no longer charges or runs down quickly, replace the exhausted battery with a new one.
- Use only the charging stand and batteries provided by Samsung.
- Before inserting the battery, confirm that the battery is being inserted in the correct direction and orientation.
- When discarding a dead battery, put it into a battery collection box for recycling.
- If you are not going to use your vacuum cleaner for a long time, detach the battery from the vacuum.
- When attaching the battery to the vacuum, insert it until you hear a click. This assures that the battery is firmly attached.
  - Otherwise, the battery may fall and could cause product damage or injury.
- Do not drop or strike the battery or subject it to a sudden shock.
- Do not disassemble the battery and make sure that you do not create a short circuit across the plus (+) and minus (-) terminals.
- Leaks from battery cells can occur under extreme usage or temperature conditions. If the liquid gets on your skin, wash the affected area quickly with water. If the liquid gets into your eyes, flush them immediately with clean water for a minimum of 10 minutes. Seek medical attention.
- To protect the motor and battery, the vacuum cleaner may not operate when the temperature is lower than 5 °C or higher than 45 °C.
- If you are not going to use the vacuum for a long period of time or you're going to be away from home for a long period of time, unplug the charging stand, and then detach the charging stand from the battery. When the battery is not being charged and not being used, it will slowly discharge.
- When the battery level is low, recharge it. If the level of the battery remains low for a long period of time, it can cause the performance of the battery to degrade.

## Operation

### NOTE

- If excessive force is applied to a brush or foreign matter is caught in the spinning brush, the brush may stop working to protect the motor or vacuum. Turn the vacuum off,

remove the foreign matter, and then turn the vacuum on. If the vacuum does not start, turn it off and then on again.

- Static electricity may occur depending on the humidity, temperature, or floor material, etc. in your home. If it happens repeatedly, contact a Samsung service center.
- Please charge the battery fully:
  - Before using a newly purchased battery for the first time or if you haven't used the battery for a long time.
  - When the battery level indicator is on the lowest indication and blinks.
- Gently clean the multi-use wet pads by hand, using a mild detergent.
- The multi-use wet pads can be cleaned using a washing machine. However, if the wet pads are exposed to fabric softener or heat (such as boiling or hot water), they may get damaged and not work as well.
- Only use genuine Samsung wet pads.
- If the wet brush is used without a wet pad, any product malfunction will not be covered by warranty and a service fee will be charged for repair.
- To purchase additional multi-use wet pads for the wet brush, contact a Samsung service center.
- To purchase additional single-use wet pads, contact a Samsung service center. (Make sure to check the model name VCA-SPA90.)

## **CAUTION**

- When the spinning brush inside a brush is working, do not touch the brush.
  - Otherwise, your hand can be caught and it may cause an injury.
- Before using the wet brush, detach the wet pad and put some water on it, then reattach it to the spin disk.
- When assembling the handle, be careful not to catch your fingers or hands in the movement fold of the handle.
- Do not use the vacuum cleaner on items that can be scratched (TV and monitor screens, etc.)

## **Maintenance**

### **NOTE**

- Sometimes the wheel of a brush can scratch the floor. Before using the vacuum cleaner, check the wheels of the brush.
  - If there is foreign matter on the wheel of the brush which cannot be removed easily, contact a Samsung service center.

- If the inner part of the wet brush is clogged with a large foreign matter, spinning speed decreases or stops.

## **CAUTION**

- Storing the vacuum cleaner in sunlight for long hours may cause parts of the vacuum to deform or discolor. Therefore, after cleaning the parts of the vacuum cleaner, dry them in the shade.
- Do not clean the brush of the vacuum cleaner with water. Cleaning it with water can cause the brush to deform or discolor.
- Before cleaning the charging stand, you must unplug the charging stand.
- If you notice a continuous reduction in suction or the vacuum cleaner overheats abnormally, replace the ultra fine dust filter.
- After cleaning <a dustbin>, <a metal mesh grille filter>, or <a washable micro filter> with water, dry in the shade.
  - When heat is applied, product malformation may occur.

## **TROUBLESHOOTING**

Before calling for service, review the problems and solutions below. If none of the suggested solutions resolve your problem, please visit our website at [www.samsung.com](http://www.samsung.com) or call Samsung Customer Care. Note that you will be charged for any service calls in which no defects were found.

Problems	Solutions
<p>The vacuum cleaner does not work.</p>	<ul style="list-style-type: none"> <li>• Check the battery level and charge the battery.</li> <li>• Check whether the product is turned off, and then press the power button to turn it on.</li> <li>• Check whether the pipe, dustbin or brush is blocked.</li> <li>• Check whether the washable micro filter is inserted correctly.</li> <li>• If the vacuum has not been used for a long time, charge the battery.</li> <li>• If the battery dies, replace the battery.</li> </ul>
<p>Suction force decreases suddenly and the vacuum makes a vibrating sound.</p>	<ul style="list-style-type: none"> <li>• Check whether a brush, dustbin or pipe is clogged with foreign matter and remove it.</li> <li>• Check whether the dustbin is fully filled with dust. If it is, empty the bin.</li> <li>• Check whether the filter is dirty. If it is, clean the filter.</li> </ul>
<p>The vacuum cleaner cannot be charged.</p>	<ul style="list-style-type: none"> <li>• Check if foreign matter (dust) is on the charging terminal. Remove any foreign matter with a cotton swab or soft cloth.</li> <li>• Check that the vacuum cleaner is properly aligned on the charging station and the LED of the battery level indicator is turned on.</li> <li>• Confirm that the voltage provided to the charging stand matches the requirements of the charging stand.</li> </ul>
<p>The spinning brush does not work.</p>	<ul style="list-style-type: none"> <li>• Turn off the vacuum and check whether the brush is clogged with foreign matter. If so, remove the foreign matter and restart the vacuum.</li> <li>• If the brush still does not spin, turn the vacuum cleaner off and back on a second time. <ul style="list-style-type: none"> <li>◦ For the Soft Action Brush and Wet brush, if the vacuum overheats, it may take about 30 minutes for the motor to cool.</li> </ul> </li> </ul>



<p>An odor is coming from the air outlet or filter of the vacuum cleaner.</p>	<ul style="list-style-type: none"> <li>• Empty the dustbin and clean the filters frequently. <ul style="list-style-type: none"> <li>◦ As your vacuum cleaner is a new product, it may have a slight odor for the first 3 months after purchase.</li> <li>◦ If you use the vacuum cleaner frequently, accumulated dirt in the dustbin or dust on the filter may generate an odor.</li> </ul> </li> <li>• Replacement filters are available at your local Samsung service agent.</li> </ul>
<p>Cleaning is finished but small dust particles come out of the brush.</p>	<ul style="list-style-type: none"> <li>• After cleaning, operate the vacuum for 10 seconds or more on the MAX setting to suction up the small dust particles.</li> </ul>
<p>Vacuum cleaner stops operation during cleaning.</p>	<ul style="list-style-type: none"> <li>• The vacuum cleaner's motor will shut off to prevent overheating: <ul style="list-style-type: none"> <li>◦ When the vacuum operates with a full dustbin.</li> <li>◦ When the vacuum operates with suction part or brush clogged.</li> <li>◦ When the Extension Crevice Tool is used for long hours.</li> </ul> </li> <li>• After correcting the cause of the problem, turn the product on again. (This case may differ depending on the ambient temperature.)</li> </ul>
<p>Static electricity occurs when cleaning a thick and soft mat.</p>	<ul style="list-style-type: none"> <li>• Some types of mats such as a (childcare center mat, or a noise prevention mat for between floors, etc.) may cause static electricity. <ul style="list-style-type: none"> <li>◦ Move the brush on a normal floor for a while and clean again. This should get rid of the static electricity.</li> </ul> </li> </ul>

**Warning**



This content is compiled from multiple sources and is provided for reference purposes only. It may not be complete or fully applicable to all situations. If you are unable to resolve your issue, please contact the product manufacturer or an authorized service provider for official support.

---

Document generated by [ManualsFile](#)

