

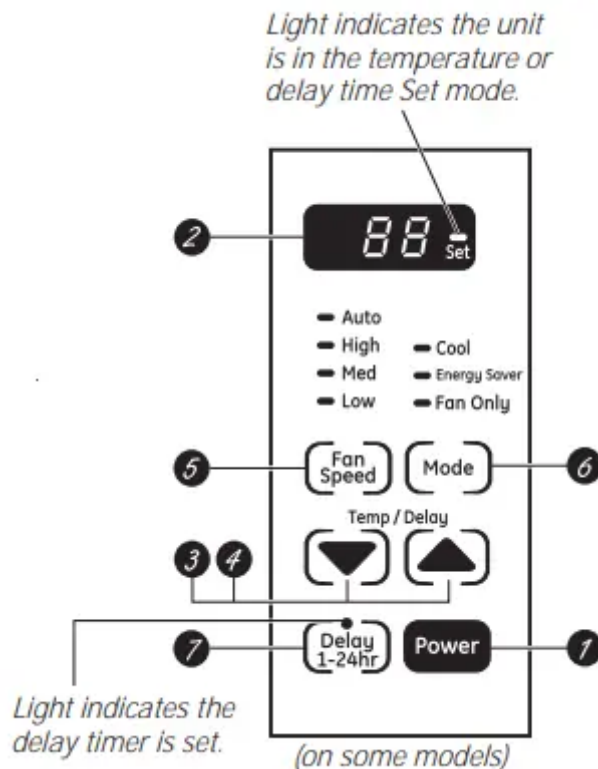
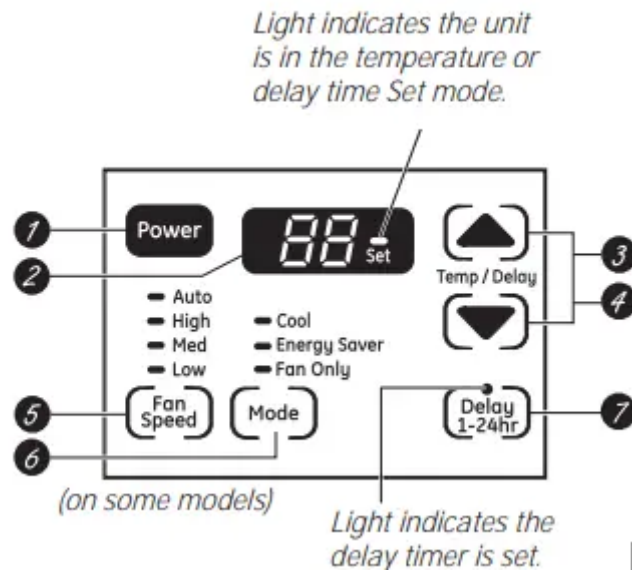
Operating Instructions

About the controls on the air conditioner

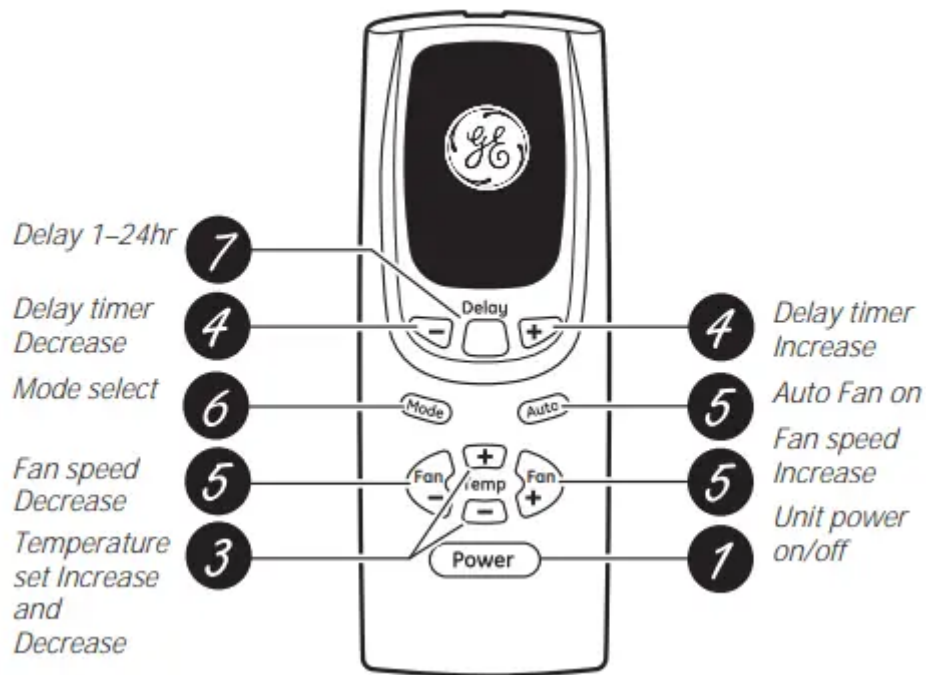
Features and appearance will vary.

Lights next to the touch pads on the air conditioner control panel indicate the selected settings.

Air Conditioner Controls



Remote Control



Controls (on some models)

1 Power Pad : Turns air conditioner on and off. When turned on, the display will show the room temperature.

2 Display : Shows the room temperature or time remaining on the Delay timer. Shows the Set temperature while setting the temperature in Cool or Energy Saver modes. The Set light will turn on while setting.

NOTE: The display will change to show the room temperature after settings have been made.

3 Temp Increase ▲ /Decrease ▼ Pads : Use to set temperature when in Cool or Energy Saver mode. The Set light will turn on while setting.

4 Delay Timer Increase ▲ (+) /Decrease ▼ (-) Pads : Each touch of the Increase ▲ / Decrease ▼ pads on the unit or the Increase + / Decrease – pads on the remote control will set the delay time when using the Delay 1-24hr timer. The Set light will turn on while setting.

5 Fan Speed Pads : Use to set the fan speed to Low, Med, High or Auto on the unit. NOTE: On the remote control, use the fan speed Increase + / Decrease – pads to set the fan speeds to Low, Med or High. Use the Auto pad to turn Auto fan on.

6 Mode Pad : Use to set the air conditioner to Cool, Energy Saver or Fan Only mode.

7 Delay Pads/Delay 1-24hr Pad

Delay ON- When the air conditioner is off, it can be set to automatically come on in 1 to 24 hours at its previous mode and fan settings.

Delay OFF—When the air conditioner is on, it can be set to automatically turn off in 1 to 24 hours.

How to set:

Press the Delay 1-24hr pad on the unit or the Delay pad on the remote control. Each touch of the Increase ▲ / Decrease ▼ pads on the unit or the Increase + / Decrease - pads on the remote control will set the timer in 1-hour intervals. The Set light will turn on while setting.

To review the remaining time on the Delay 1-24hr timer, press the Delay 1-24hr pad on the unit or the Delay pad on the remote control. Use the Increase ▲ / Decrease ▼ pads on the unit or the Increase + / Decrease - pads on the remote control to set a new time if desired.

To cancel the timer, press the Delay 1-24hr pad until the light on the Delay 1-24hr pad goes off.

Note: The default temperature reading on the display is degree Fahrenheit (°F). To change the display to degree Celcius (°C), press the Temp Increase ▲ and Temp Decrease ▼ buttons together and hold for 3 seconds. Repeat the process to change back to degree Fahrenheit (°F)

Features and appearance will vary

1. MODE CONTROL

High Cool and Low Cool provide cooling with different fan speeds. Fan settings provide air circulation and filtering without cooling.

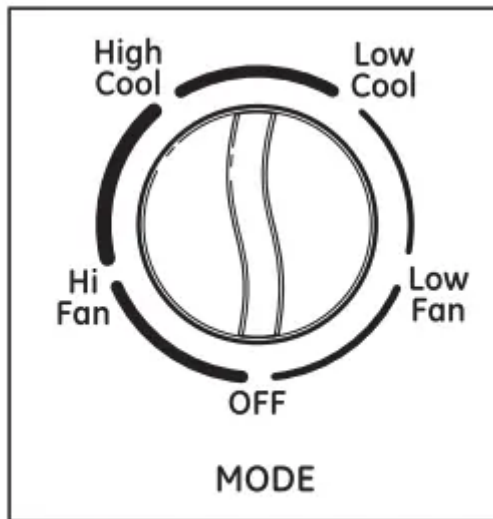
NOTE: If you move the mode control from a cool setting to OFF or to a fan setting, wait at least 3 minutes before switching back to a cool setting

Cooling Descriptions

For Normal Cooling—Select High Cool or Low Cool with the TEMPERATURE control at the midpoint.

For Maximum Cooling—Select High Cod with the TEMPERATURE control at the highest number available on your knob.

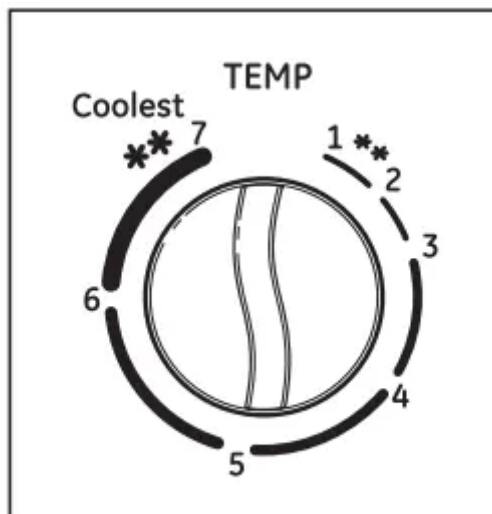
For Quieter and Nighttime Cool/ng—Select Low Cod with the TEMPERATURE control at the midpoint.



1 MODE CONTROL

2. TEMPERATURE CONTROL

The TEMP control is used to maintain the room temperature. The compressor will cycle on and off to keep the room at the same level of comfort. When you turn the knob to a higher number, the indoor air will become cooler. Turn the knob to a lower number and the indoor air will become warmer.



2 TEMPERATURE CONTROL

Do Not Operate in Freezing Outdoor Conditions

This cool-only air conditioner was not designed for freezing outdoor conditions. It must not be used in freezing outdoor conditions.

Remote Control

- To ensure proper operation, aim the remote control at the signal receiver on the air conditioner.

- Make sure nothing is between the air conditioner and the remote control that could block the signal.
- The remote control signal has a range of up to 20 feet.
- Make sure batteries are fresh and installed correctly as indicated on the remote control.
- Remote contains a magnet allowing it to attach to metal surfaces.

Cool Mode

Use the Cool mode at Low, Med, High or Auto Fan Speed for cooling. Use the Temperature Increase ▲ / Decrease ▼ pads to set the desired temperature between 64°F and 86°F in 1°F increments. An electronic thermostat is used to maintain the room temperature. The compressor will cycle on and off to keep the room at the set level of comfort. Set the thermostat at a lower number and the indoor air will become cooler. Set the thermostat at a higher number and the indoor air will become warmer.

NOTE: If the air conditioner is off and is then turned on while set to a Cool setting or if turned from a fan setting to a Cool setting, it may take approximately 3 minutes for the compressor to start and cooling to begin. Cooling Descriptions For Normal Cooling—Select the Cool mode and High or Med fan with a middle set temperature.

For Maximum Cooling—Select the Cool mode and High fan with a lower set temperature.

For Quieter and Nighttime Cooling—Select the Cool mode and Low fan with a middle set temperature.

Energy Saver Mode

Controls the fan.

ON—The fan will cycle on and off with the compressor. This results in wider variations of room temperature and humidity. Normally used when the room is unoccupied. NOTE: The fan may continue to run for a short time after the compressor cycles off.

OFF—The fan runs all the time, while the compressor cycles on and off.

Fan Only Mode

Use the Fan Only Mode at Low, Med or High fan speed to provide air circulation and filtering without cooling. Since fan-only settings do not provide cooling, a Set temperature cannot be entered. The room temperature will appear in the display

NOTE: Auto Fan Speed cannot be used when in the Fan Only Mode

Auto Fan Speed

Set to Auto fan speed for the fan speed to automatically set to the speed needed to provide optimum comfort settings with the set temperature. If the room needs more cooling, the fan speed will automatically increase. If the room needs less cooling, the fan speed will automatically decrease.

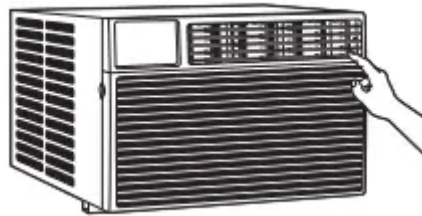
NOTE: Auto Fan Speed cannot be used when in the Fan Only Mode.

Power Outage Recovery Feature

In the case of a power outage or interruption, the unit will automatically restart in the settings last used after the power is restored. If the Delay 1–24hr feature was set, it will resume countdown. You may need to set a new time if desired.

Air Direction

Use the lever to adjust the air direction left and right only



Care and cleaning of the air conditioner.

Grille and Case

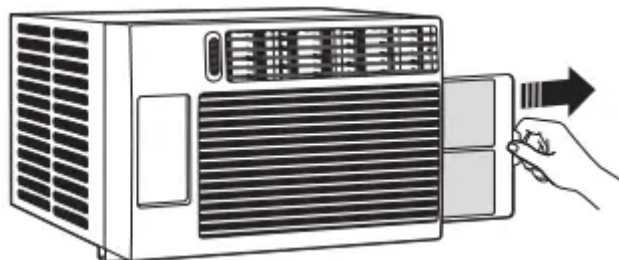
Turn the air conditioner off and remove the plug from the wall outlet before cleaning.

To clean, use water and a mild detergent. Do not use bleach or abrasives.

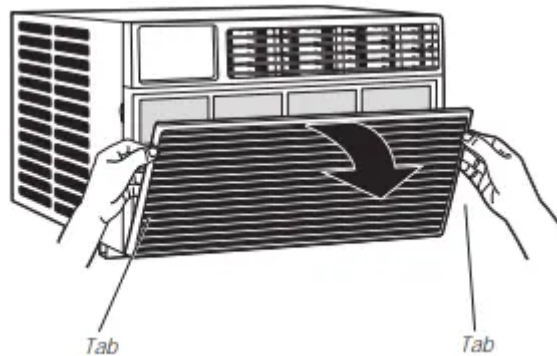
Air Filter

The air filter behind the front grille should be checked and cleaned at least every 30 days or more often if necessary.

To remove: Pull the tab on the right side of the unit until the filter is out.



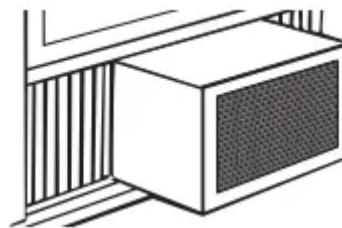
To remove: Open the inlet grille by pulling downward on the tabs at the top upper corners of the inlet grille until the grille is in a 45° position. Remove the filter.



Clean the filter with warm, soapy water. Rinse and let the filter dry before replacing it. Do not clean the filter in a dishwasher

Outdoor Coils

The coils on the outdoor side of the air conditioner should be checked regularly. If they are clogged with dirt or soot, they may be professionally cleaned



How to Insert the Batteries in the Remote Control

1. Remove the battery cover by sliding it according to the arrow direction
2. Insert new batteries, making sure that the (+) and (-) of battery are installed correctly.
3. Reattach the cover by sliding it back into position

NOTES:

- Use 2 “AAA” (1.5 volt) alkaline batteries. Do not use rechargeable batteries.
- Remove the batteries from the remote control if the system is not going to be used for a long time.
- Do not mix old and new batteries. Do not mix alkaline, standard (carbon-zinc) or rechargeable (ni-cad, ni-mh, etc) batteries.

Installation Instructions

TOOLS YOU WILL NEED



Phillips head screwdriver



Flat-blade screwdriver



Pencil



Ruler or tape measure



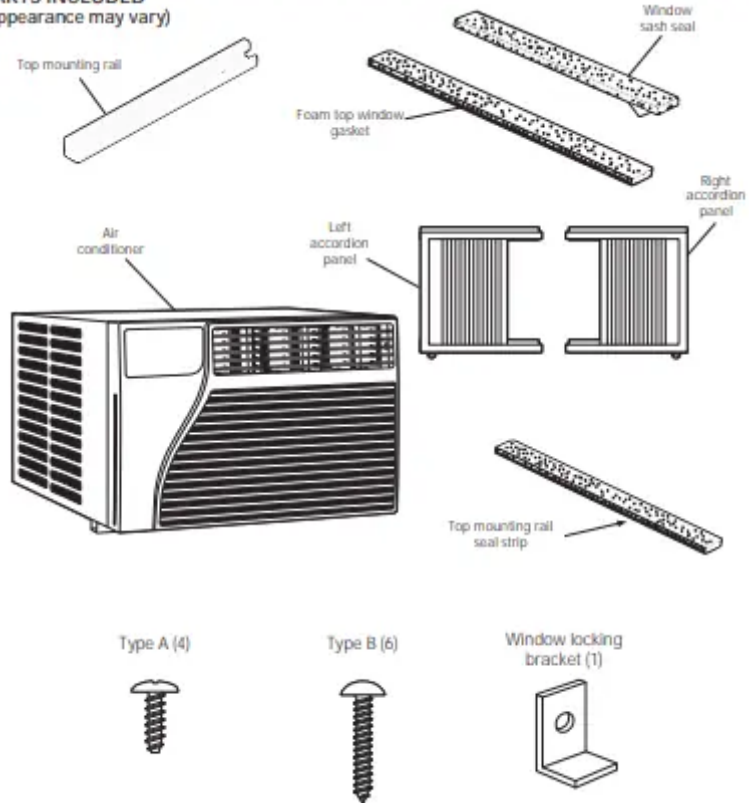
Level



Scissors or knife

PARTS INCLUDED (Appearance may vary)

PARTS INCLUDED (Appearance may vary)

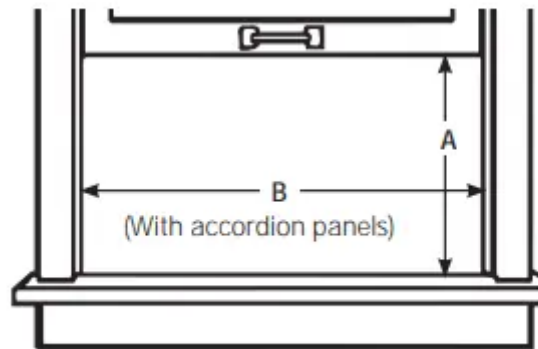


1. WINDOW REQUIREMENTS

- These instructions are for a standard double-hung window. You will need to modify them for other types of windows.
- The air conditioner can be installed without the accordion panels if needed to fit in a narrow window. See the window opening dimensions.
- All supporting parts must be secured to firm wood, masonry or metal.

- The electrical outlet must be within reach of the power cord.
- Follow the dimensions in the table and illustration for your model.

Models	A	B
AET05, AEY05 AEW05, AEZ05	12 1/2" min.	23"-38"
AEW06, AEZ06 AEW08, AEZ08	13 1/2" min.	22 1/2"-38"



2. STORM WINDOW REQUIREMENTS

A storm window frame will not allow the air conditioner to tilt toward the outside, and will keep it from draining properly. To adjust for this, attach a piece of wood to the sill.

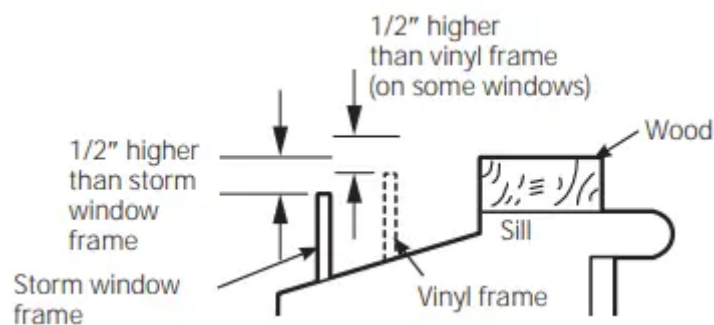
WOOD PIECES

WIDTH: 2s

LENGTH: Long enough to fit inside the window frame.

THICKNESS: To determine the thickness, place a piece of wood on the sill to make it 1/2s higher than the top of the storm window frame or the vinyl frame.

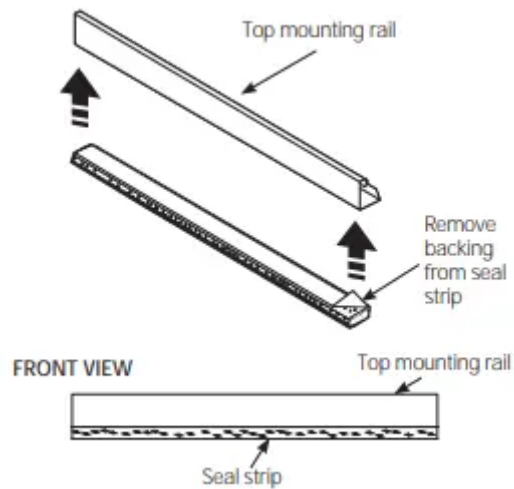
Attach securely with nails or screws provided by the installer.



3. ATTACH THE TOP MOUNTING RAIL SEAL STRIP

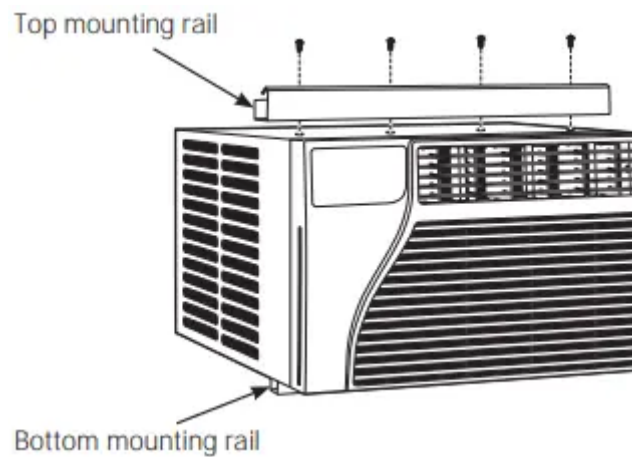
(Some models may have the seal strip already attached to the top mounting rail. If applicable, skip this step.)

Remove the backing from the top mounting rail seal strip and attach the seal strip to the bottom of the top mounting rail, along the front edge.

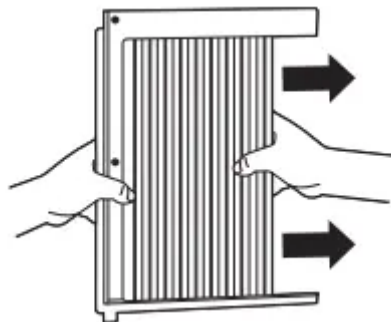


4. PREPARE THE AIR CONDITIONER

A. Install the top mounting rail with 4 Type A screws from the outside of the case.

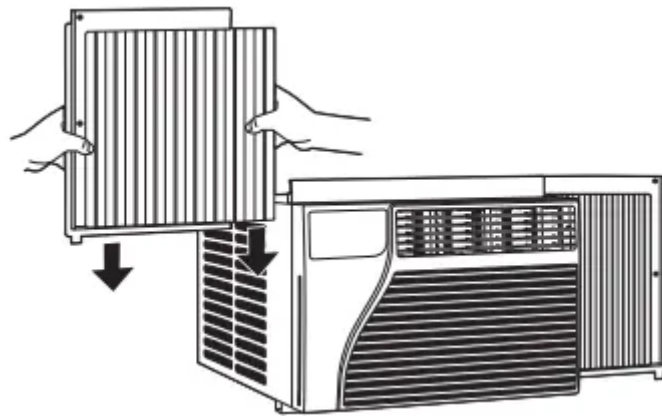


B. Hold the accordion panel in one hand and gently pull back to free the open end.

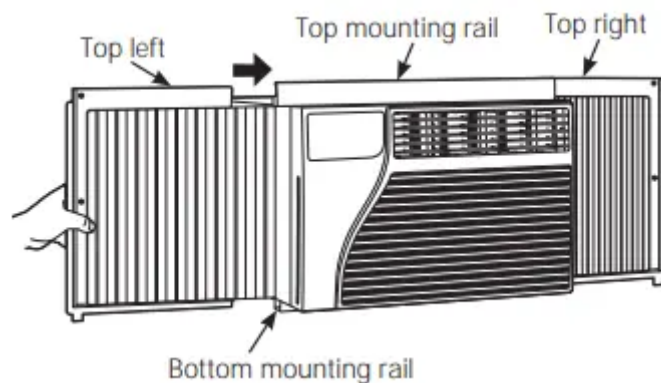


C. Slide the free end of the accordion panel into the side panel rails. Slide the panel down. Be sure to leave enough space to slip the top and bottom of the frame into the rails on the cabinet.

NOTE: There is a right and a left accordion panel. Be sure to use the proper panel for each side.

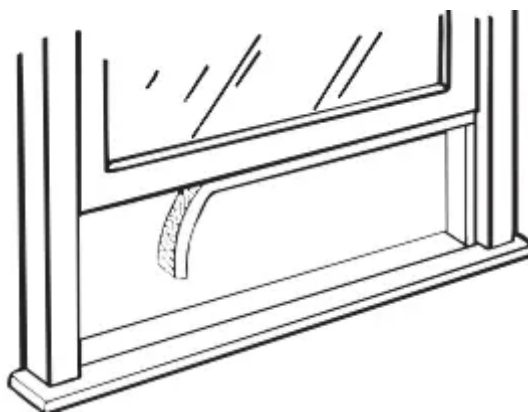


D. Slide the left and right accordion panels into the top and bottom mounting rails.



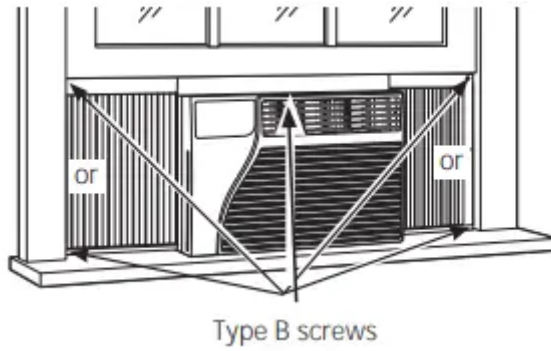
5. PREPARE THE WINDOW

Cut the window sash seal to the proper length. Peel off the backing and attach the seal to the underside of the window sash.



6. INSTALL THE AIR CONDITIONER IN THE WINDOW

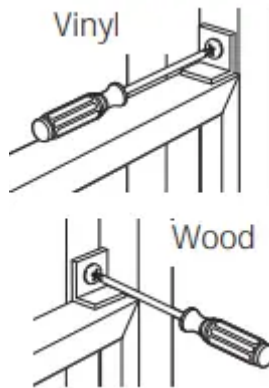
A. Place the air conditioner on the sill with the bottom mounting rail against its back edge. Center it and close the window securely behind the top mounting rail. It should be level or slightly tilted to the outside. Use a level; about a 1/3 bubble will be the correct case slant to the outside.



B. Extend the left and right accordion panels to the vertical window sashes and attach, through the holes in the panels, with 5 Type B screws, as appropriate.

7. INSTALL SUPPORT BRACKET AND FOAM TOP WINDOW GASKET

A. CAUTION: To prevent broken glass or damage to windows, on vinyl or other similarly constructed windows, attach the window locking bracket to the window side jamb with one Type B screw.



B. Cut the foam top window gasket to the window width.

C. Stuff the foam between the glass and the window to prevent air and insects from getting into the room.

NOTE: If the gasket supplied does not fit your window, obtain appropriate material locally to provide a proper installation seal.



Troubleshooting Tips

Problem	Possible Causes	What To Do
Air conditioner does not start	The air conditioner is unplugged	<ul style="list-style-type: none"> • Make sure the air conditioner plug is pushed completely into the outlet
	The fuse is blown/ circuit breaker is tripped	<ul style="list-style-type: none"> • Check the house fuse/circuit breaker box and replace breaker is tripped. the fuse or reset the breaker.
	Power failure.	<ul style="list-style-type: none"> • The unit will automatically restart in the settings last used after the power is restored. • There is a protective time delay (approximately 3 minutes) to prevent tripping of the compressor overload. For this reason, the unit may not start normal cooling for 3 minutes after it is turned back on.
	The current interrupter device is tripped	<ul style="list-style-type: none"> • Press the RESET button located on the power cord plug.. • If the RESET button will not stay engaged, discontinue use of the air conditioner and contact a qualified service technician.
Air conditioner does not cool as it should	Airflow is restricted	<ul style="list-style-type: none"> • Make sure there are no curtains, blinds, or furniture blocking the front of the air conditioner.
	The temp control may correctly	<ul style="list-style-type: none"> • On models with touch pads: In the Cool mode, press the not be set . Decrease T pad. • On models'  with control knobs, turn the temperature knob to a higher number.
	The air filter is dirty	<ul style="list-style-type: none"> • Clean the filter at least every 30 days. See the Care and Cleaning section.
	The room may have been hot	

		<ul style="list-style-type: none"> • When the air conditioner is first turned on, you need to allow time for the room to cool down.
	Cold air is escaping	<ul style="list-style-type: none"> • Check for open furnace registers and cold air returns.
	Cooling coils have iced up	<ul style="list-style-type: none"> • See “Air conditioner freezing up” below.
Air conditioner freezing up	Ice blocks the air flow and stops the air conditioner from cooling the room	<ul style="list-style-type: none"> • On models with control knobs, set the mode control at High Fan or High Cool with the Temp at 1 or 2. • On models with touch pads, set the controls at High Fan or High Cool and set the thermostat to a higher temperature.
The remote control is not working	The batteries are inserted incorrectly	<ul style="list-style-type: none"> • Check the position of the batteries. They should be inserted in the opposite (+) and (-) direction.
	The batteries may be dead	<ul style="list-style-type: none"> • Replace the batteries
Water drips outside	Hot, humid weather.	<ul style="list-style-type: none"> • This is normal.
Water drips indoors	The air conditioner is not tilted to the outside.	<ul style="list-style-type: none"> • For proper water disposal, make sure the air conditioner slants slightly from the case front to the rear
Water collects in base pan	Moisture removed from air and drains into base pan.	<ul style="list-style-type: none"> • This is normal for a short period in areas with little humidity; normal for a longer period in very humid areas

Safety Instructions

SAFETY PRECAUTIONS

- Use this appliance only for its intended purpose as described in this Owner’s Manual.

- This air conditioner must be properly installed in accordance with the Installation Instructions before it is used.
- Never unplug your air conditioner by pulling on the power cord. Always grip plug firmly and pull straight out from the receptacle.
- Replace immediately all electric service cords that have become frayed or otherwise damaged. A damaged power supply cord must be replaced with a new power supply cord obtained from the manufacturer and not repaired. Do not use a cord that shows cracks or abrasion damage along its length or at either the plug or connector end.
- Turn the unit OFF and unplug your air conditioner before cleaning.
- GE does not support any servicing of the air conditioner. We strongly recommend that you do not attempt to service the air conditioner yourself
- For your safety...do not store or use combustible materials, gasoline or other flammable vapors or liquids in the vicinity of this or any other appliance.
- All air conditioners contain refrigerants, which under federal law must be removed prior to product disposal. If you are getting rid of an old product with refrigerants, check with the company handling disposal about what to do.
- If the receptacle does not match the plug, the receptacle must be changed out by a qualified electrician.
- These R410A air conditioning systems require contractors and technicians to use tools, equipment and safety standards approved for use with this refrigerant. DO NOT use equipment certified for R22 refrigerant only

HOW TO CONNECT ELECTRICITY

Do not, under any circumstances, cut or remove the third (ground) prong from the power cord. For personal safety, this appliance must be properly grounded. DO NOT use an adapter plug with this appliance. The power cord of this appliance is equipped with a 3-prong (grounding) plug which mates with a standard 3-prong (grounding) wall outlet to minimize the possibility of electric shock hazard from this appliance. Power cord includes a current interrupter device. A test and reset button is provided on the plug case. The device should be tested on a periodic basis by first pressing the TEST button and then the RESET button while plugged into the outlet. If the TEST button does not trip or if the RESET button will not stay engaged, discontinue use of the air conditioner and contact a qualified service technician.

Have the wall outlet and circuit checked by a qualified electrician to make sure the outlet is properly grounded. Where a 2-prong wall outlet is encountered, it is your personal responsibility and obligation to have it replaced with a properly grounded 3-prong wall outlet. The air conditioner should always be plugged into its own individual electrical outlet which has a voltage rating that matches the rating plate. This provides the best performance and also prevents overloading house wiring circuits which could

cause a fire hazard from overheated wires. See the Installation Instructions, Electrical Requirements section for specific electrical connection requirements

USE OF EXTENSION CORDS

RISK OF FIRE. Could cause serious injury or death.

- DO NOT use an extension cord with this Window Air Conditioner.
- DO NOT use surge protectors or multi-outlet adaptors with this Window Air Conditioner

Warning

This content is compiled from multiple sources and is provided for reference purposes only. It may not be complete or fully applicable to all situations. If you are unable to resolve your issue, please contact the product manufacturer or an authorized service provider for official support.