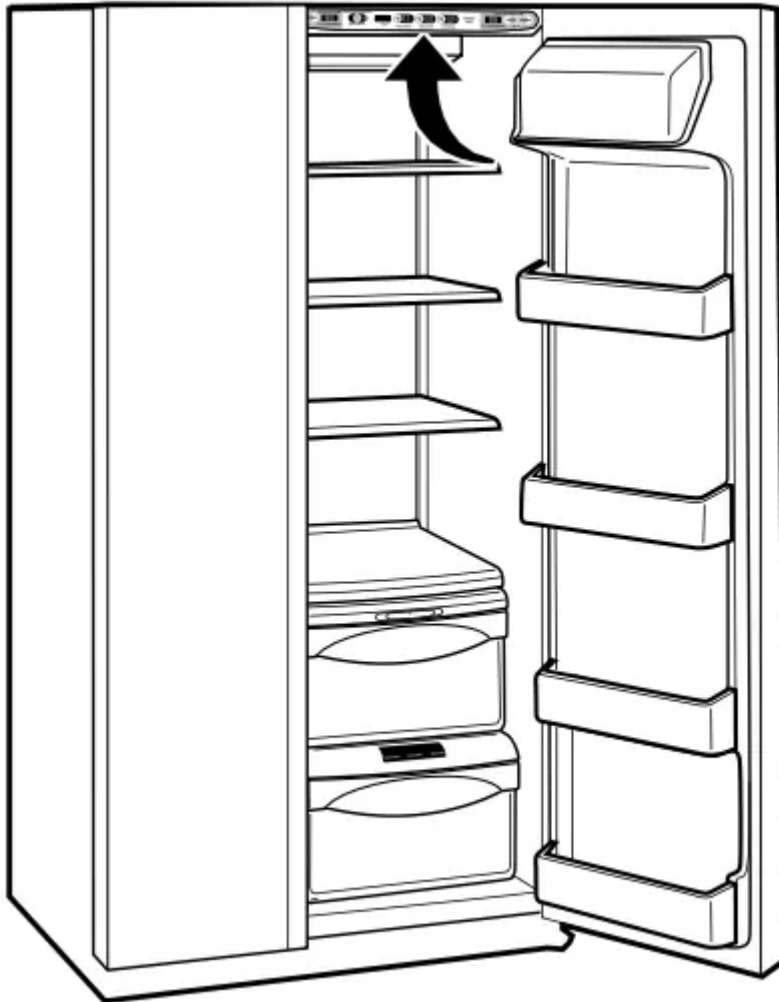
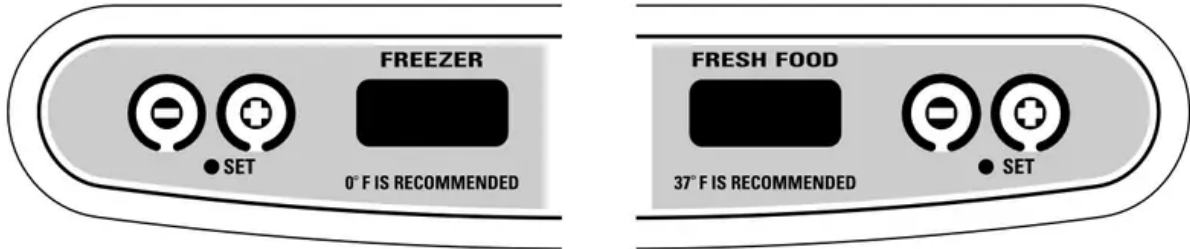


## Operating Instructions

### Temperature controls







The temperature controls are preset in the factory at 37°F for the fresh food compartment and 0°F for the freezer compartment. Allow 24 hours for the temperature to stabilize to the preset recommended settings.



The temperature controls can display both the SET temperature as well as the actual temperature in the fresh food and freezer compartments. The actual temperature may vary slightly from the SET temperature based on usage and operating environment.


Setting either or both controls to OFF stops cooling in both the freezer and fresh food compartments, but does not shut off electrical power to the refrigerator.

**NOTE:** The refrigerator is shipped with protective film covering the temperature controls. If this film was not removed during installation, remove it now.

**To change the temperature,** press and release the  (warmer) or  (colder) pad. The SET light will come on and the display will show the set temperature. To change the temperature, tap either the  (warmer) or  (colder) pad until the desired temperature is displayed. Fresh food temperatures can be adjusted between 34°F and 44°F and the freezer temperatures can be adjusted between -6°F and +6°F.

Once the desired temperature has been set, the temperature display will return to the actual fresh food and freezer temperatures after 5 seconds. Several adjustments may be required. Each time you adjust controls, allow 24 hours for the refrigerator to reach the temperature you have set.

**To turn the cooling system off,** tap the  (warmer) pad for either the fresh food compartment or the freezer until the display shows OFF. To turn the unit back on, press the  (colder) pad for either the fresh food compartment or freezer. The SET light will illuminate on the side you selected.

Then press the  (colder) pad again (on the side where the SET light is illuminated) and it will go to the preset points of 0°F for the freezer and 37°F for the fresh food compartment.

## Performance Air Flow System

The Performance Air-Flow System is designed to maximize temperature control in the fresh food and freezer compartments. This unique special feature consists of the Air Tower along the top and back walls of the fresh food compartment and the Air Tunnel on the bottom portion of the freezer rear wall. Placing food in front of the louvers on these components will not affect performance.

Although the Air Tower and the Air Tunnel can be removed, doing so will affect temperature performance.

## TurboCool™

### How it works



**TurboCool** rapidly cools the refrigerator compartment in order to more quickly cool foods. Use TurboCool when adding a large amount of food to the refrigerator compartment, putting away foods after they have been sitting out at room temperature or when putting away warm leftovers. It can also be used if the refrigerator has been without power for an extended period.

Once activated, the compressor will turn on immediately and the fans will cycle on and off at high speed as needed for 8 hours. The compressor will continue to run until the refrigerator compartment cools to approximately 34°F (1°C), then it will cycle on and off to maintain this setting. After 8 hours, or if TurboCool is pressed again, the refrigerator compartment will return to the original setting.

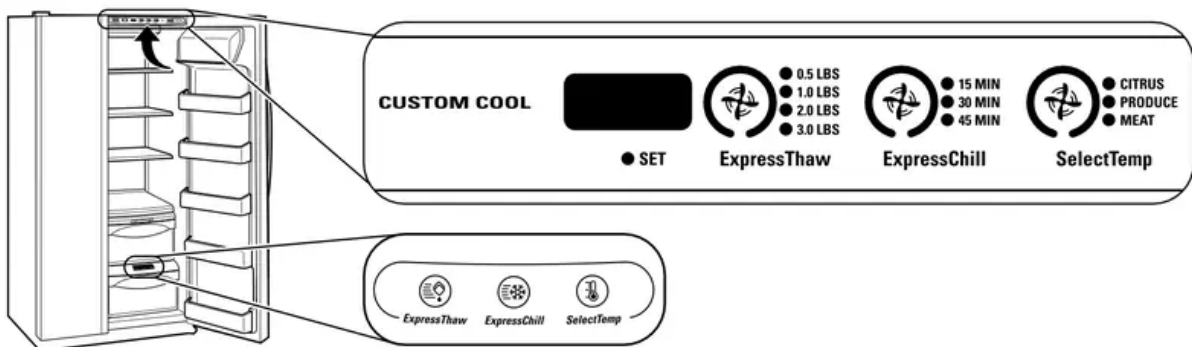
#### How to use

1. Press TurboCool. The refrigerator temperature display will show TC.
2. After TurboCool is complete, the refrigerator compartment will return to the original setting.

#### NOTES:

- The refrigerator temperature cannot be changed during TurboCool.
- The freezer temperature is not affected during TurboCool.
- When opening the refrigerator door during TurboCool, the fans will continue to run if they have cycled on.

#### CustomCool™



#### How it works

The CustomCool feature is a system of dampers, a fan, a temperature thermistor and a heater. Depending on the function selected, a combination of these will be used to quickly chill items, thaw items or hold the pan at a specific temperature.

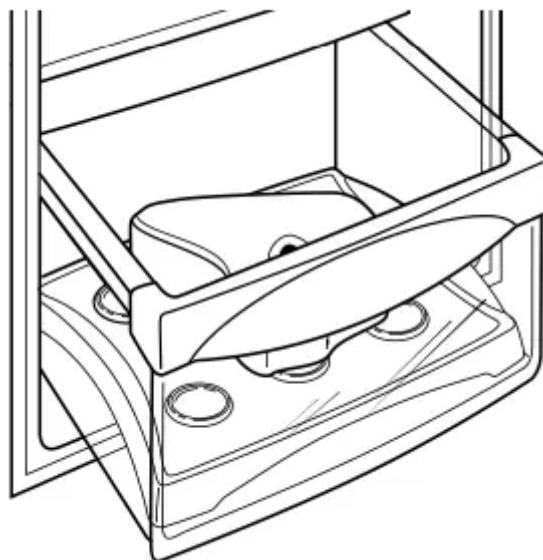
The pan is tightly sealed to prevent the pan's temperature from causing temperature fluctuations in the rest of the refrigerator.

The controls for this pan are located at the top of the fresh food compartment with the temperature controls.

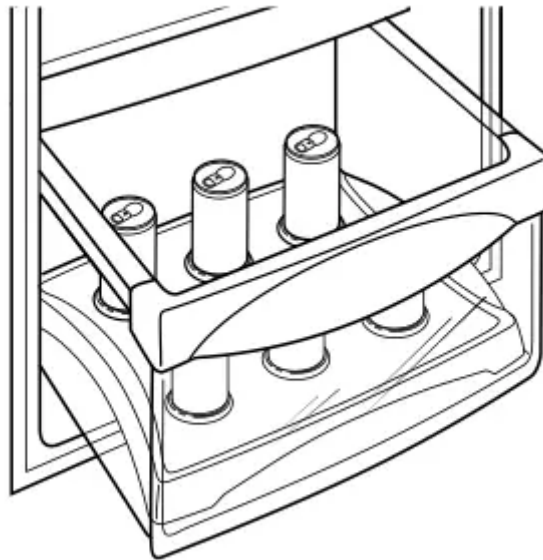
### How to use

1. Empty the pan. Place the Chill/Thaw tray in the pan. Place the items on the tray and close the pan completely.
  2. Select the ExpressThaw™ , ExpressChill™ or SelectTemp™ pad. The display and SET light will come on. Tap the pad until the light appears next to the desired setting. Use the chart to determine the best setting to use.
- To stop a feature before it is finished, tap that feature's pad until no options are selected and the display is off.
  - During ExpressThaw and ExpressChill, the display on the controls will count down the time in the cycle.
  - After the ExpressThaw cycle is complete, the pan will reset to the MEAT setting (31°F) to help preserve thawed items until they are used.
  - The displayed actual temperature of the CustomCool pan may vary slightly from the SET temperature based on usage and operating environment.

**NOTE:** For food safety reasons, it is recommended that foods be wrapped in plastic wrap when using ExpressThaw. This will help contain meat juices and improve thawing performance.



**ExpressThaw™**



**ExpressChill™**

### **CustomCool™ chart**

**NOTE:** Results may vary depending on packaging, starting temperature and other food traits.



## **ExpressThaw**

### **0.5 Lb. (4 hours)**

- Hamburger Patties (0.5 lb)
- Individually Wrapped Filet Mignon (0.5 lb)

### **1.0 Lb. (6 hours)**

- Chicken Breasts (1.0 lb)
- Ground Beef (1.0 lb)
- Steak (1.0 lb)

### **2.0 Lbs. (10 hours)**

- Chicken Breasts (2.0 lbs)
- Ground Beef (2.0 lbs)

- Steak (2.0 lbs)

### **3.0 Lbs. (12 hours)**

- Chicken Breasts (3.0 lbs)
- Ground Beef (3.0 lbs)
- Steak (3.0 lbs)



### **15 Minutes**

- 1 Beverage Can (12 oz)
- 2 Small Juice Boxes (6–8 oz each)

### **30 Minutes**

- 2 to 6 Beverage Cans (12 oz each)
- 2 Plastic 20 oz Bottles of Beverage
- 4 to 6 Small Juice Boxes (6–8 oz each)
- 3 Foil Juice Packets
- Wine (750 ml bottle)

### **45 Minutes**

- 2 Liter of Beverage
- 1/2 Gallon of Juice
- Gelatin – 1 package



## SelectTemp

### **Citrus Setting (43°F)**

- Oranges, Lemons, Limes, Pineapple, Cantaloupe
- Beans, Cucumbers, Tomatoes, Peppers, Eggplant, Squash

### **Produce Setting (35°F)**

- Strawberries, Raspberries, Kiwifruit, Pears, Cherries, Blackberries, Grapes, Plums, Nectarines, Apples
- Asparagus, Broccoli, Corn, Mushrooms, Spinach, Cauliflower, Kale, Green Onion, Beets, Onions

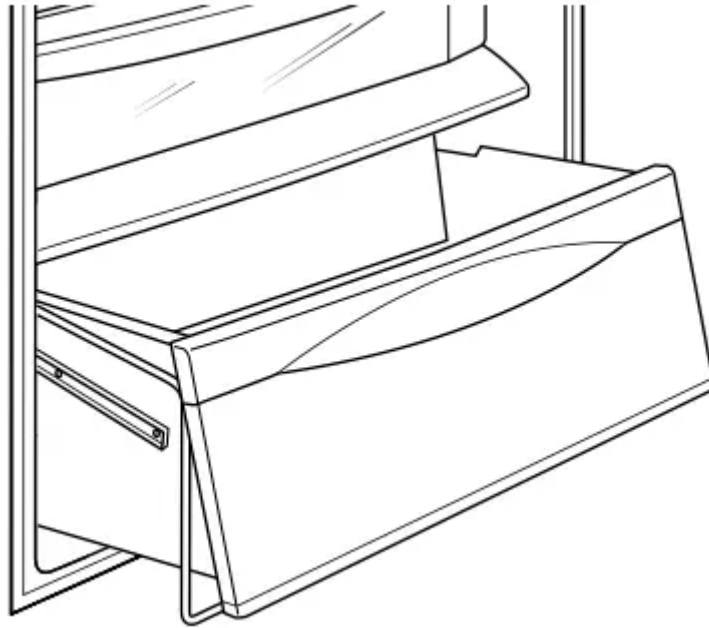
### **Meat Setting (31°F)**

- Raw Meat, Fish and Poultry

### **How to remove and replace the drawer**

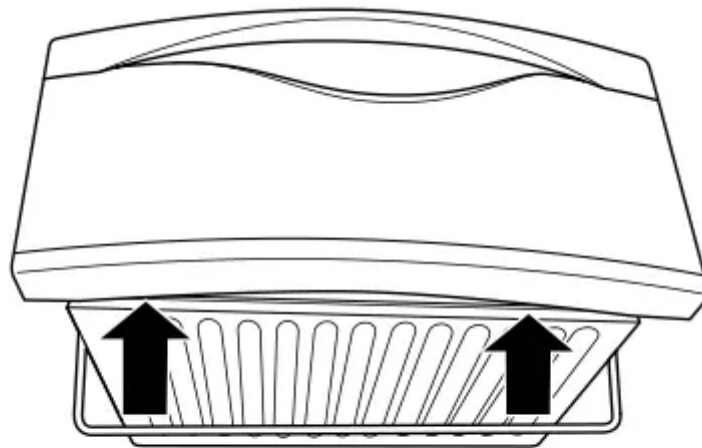
#### ***To remove:***

1. Pull the drawer out to the stop position.
2. Lift the front of the drawer up and out of the wire holder.
3. Lift the back of the drawer up and out.



**To replace:**

1. Place the back of the drawer in the wire holder, making sure the wire holder fits into the grooves on the back of the pan.
2. Lower the front of the drawer into the wire holder.
3. Pull the bottom of the wire holder forward until the wire pops into the groove located on the bottom of the drawer.

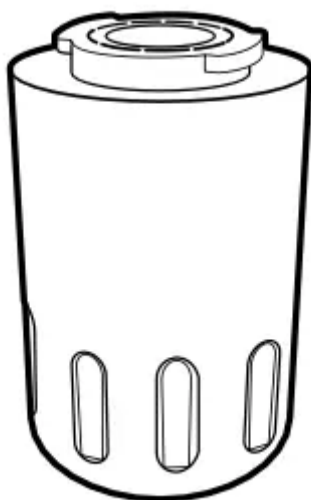


**Pop wire into groove**

**Water Filter**

**Water filter cartridge**

The water filter cartridge is located in the back upper right corner of the fresh food compartment.



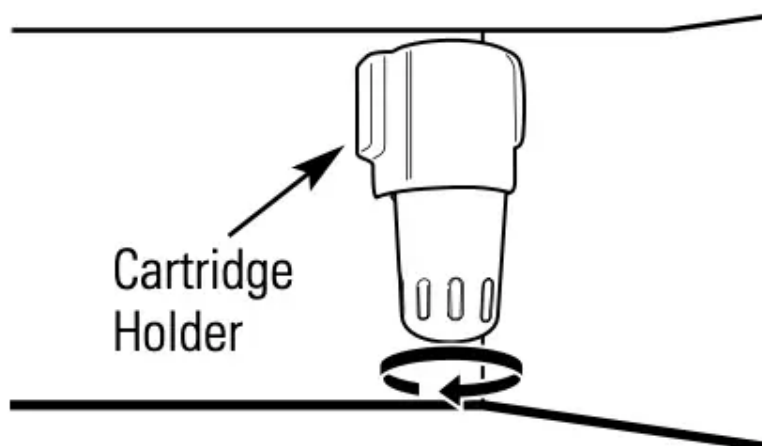
### ***When to Replace the Filter***

There is a replacement indicator light for the water filter cartridge on the dispenser. This light will turn orange to tell you that you need to replace the filter soon.

The filter cartridge should be replaced when the replacement indicator light turns red or if the flow of water to the dispenser or icemaker decreases.

### ***Installing the Filter Cartridge***

Place the top of the cartridge up inside the cartridge holder and slowly turn it to the right.



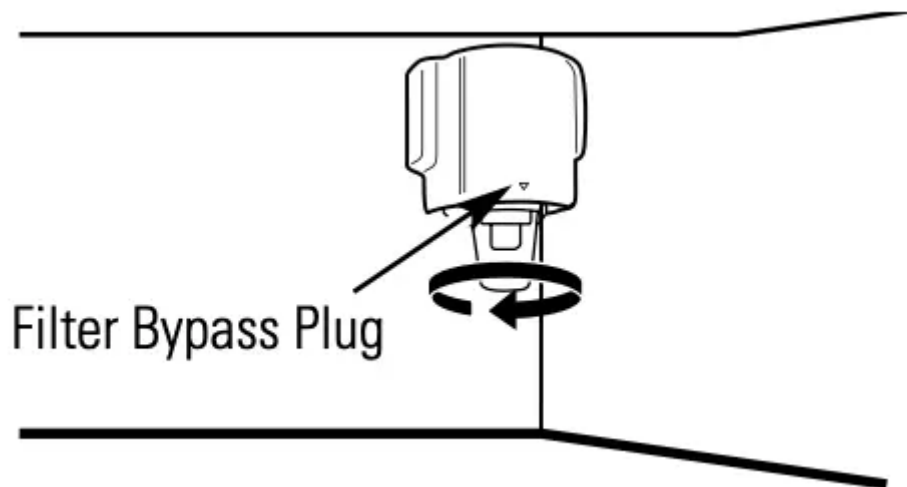
1. If you are replacing the cartridge, first remove the old one by slowly turning it to the left. Do not pull down on the cartridge. A small amount of water may drip down.
2. Fill the replacement cartridge with water from the tap to allow for better flow from the dispenser immediately after installation.
3. Lining up the arrow on the cartridge and the cartridge holder, place the top of the new cartridge up inside the holder. Do not push it up into the holder.

4. Slowly turn it to the right until the filter cartridge stops. DO NOT OVERTIGHTEN. As you turn the cartridge, it will automatically raise itself into position. Cartridge will rotate about 1/4 turn.
5. Run water from the dispenser for 3 minutes (about one and a half gallons) to clear the system and prevent sputtering.
6. Press and hold the RESET WATER FILTER pad on the dispenser for 3 seconds.



**NOTE:** A newly-installed water filter cartridge may cause water to spurt from the dispenser.

#### ***Filter Bypass Plug***



You must use the filter bypass plug when a replacement filter cartridge is not available. The dispenser and the icemaker will not operate without the filter or filter bypass plug.

Replacement Filters: To order additional filter cartridges in the United States, call GE Parts and Accessories, 800.626.2002.

## **Shelves and Bins**

### **Fresh food compartment door bins and freezer door tilt-out bins**

#### ***Large Bins***

The larger fresh food compartment door bins and freezer tilt-out door bins are adjustable.

**To remove:** Lift the front of the bin straight up, then lift up and out.

**To replace or relocate:** Engage the back side of the bin in the molded supports of the door. Then push down on the front of the bin. Bin will lock in place.

### ***Small Bins***

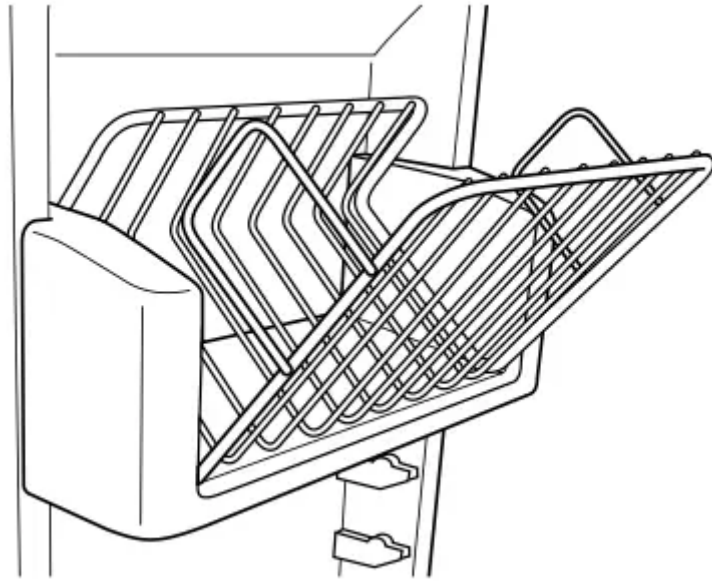
**To remove:** Lift the front of the bin straight up, then out.

**To replace:** Position the bin above the rectangular molded supports on the door. Then slide the bin down onto the support to lock it in place.

The snugger helps prevent tipping, spilling or sliding of small items stored on the door shelf. Place a finger on either side of the snugger near the rear and move it back and forth to fit your needs.

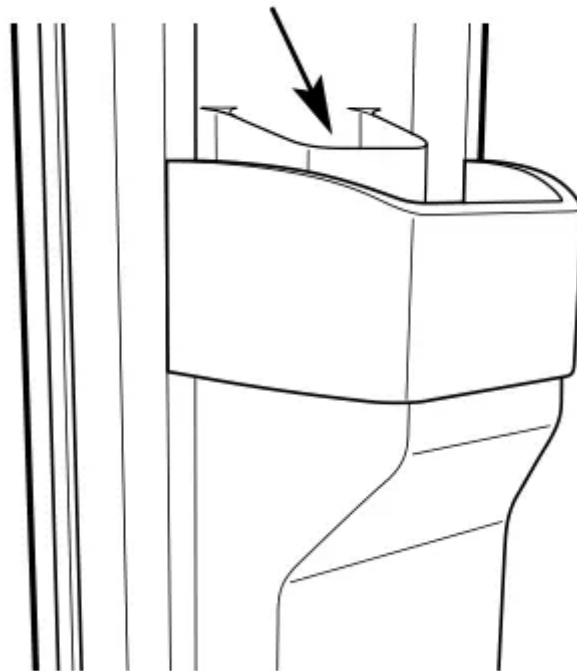


Fresh food compartment door bin



Freezer tilt-out bin

**Do not block**



Top freezer bin

**CAUTION:** Be careful when placing items in the top bin. Make sure that items do not block or fall into the ice chute.

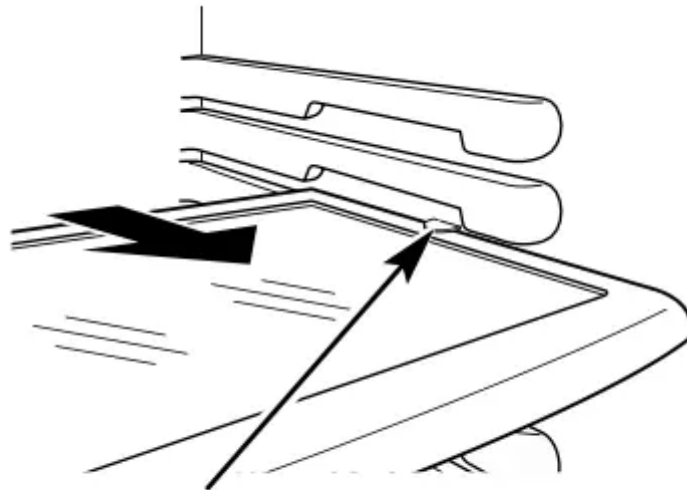
### **Slide-out spillproof shelf**

The slide-out spillproof shelf allows you to reach items stored behind others. The special edges are designed to help prevent spills from dripping to lower shelves.

**To remove:** Slide the shelf out until it reaches the stop, then press down on the tab and slide the shelf straight out.

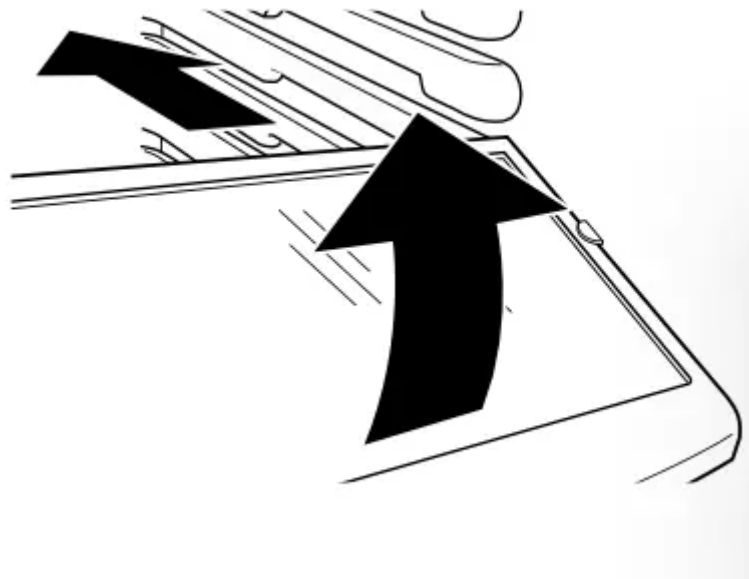
**To replace or relocate:** Line the shelf up with the supports and slide it into place. The shelf can be repositioned when the door is at 90° or more. To reposition the shelf, slide the shelf past the stops and angle downward. Slide shelf down to the desired position, line up with the supports and slide into place.

**NOTE:** Make sure you push the shelves all the way back in before you close the door.



Press tab and pull shelf forward to remove

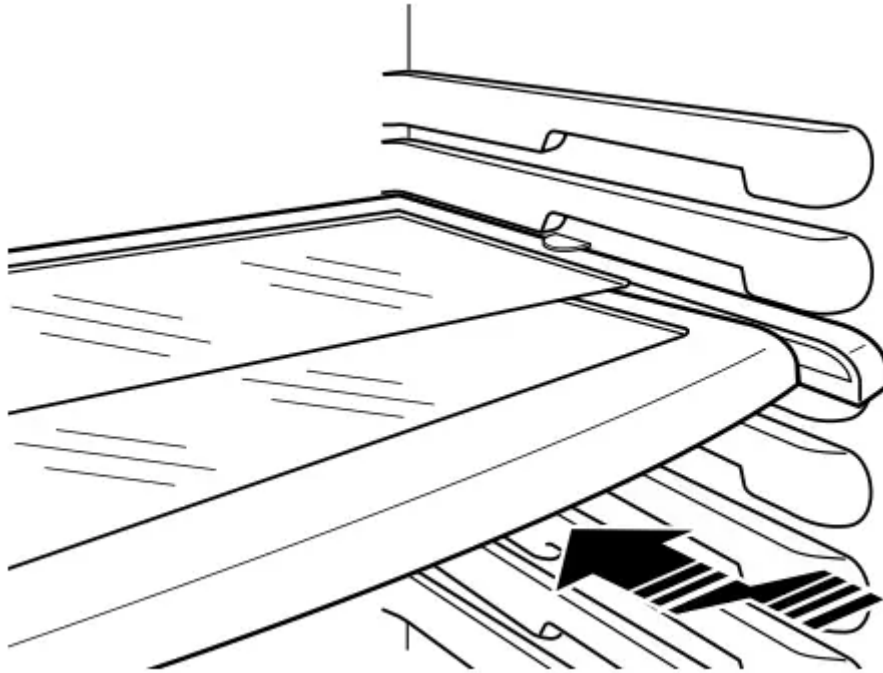
Press tab and pull shelf forward to remove



### QuickSpace™ shelf

This shelf splits in half and slides under itself for storage of tall items on the shelf below.

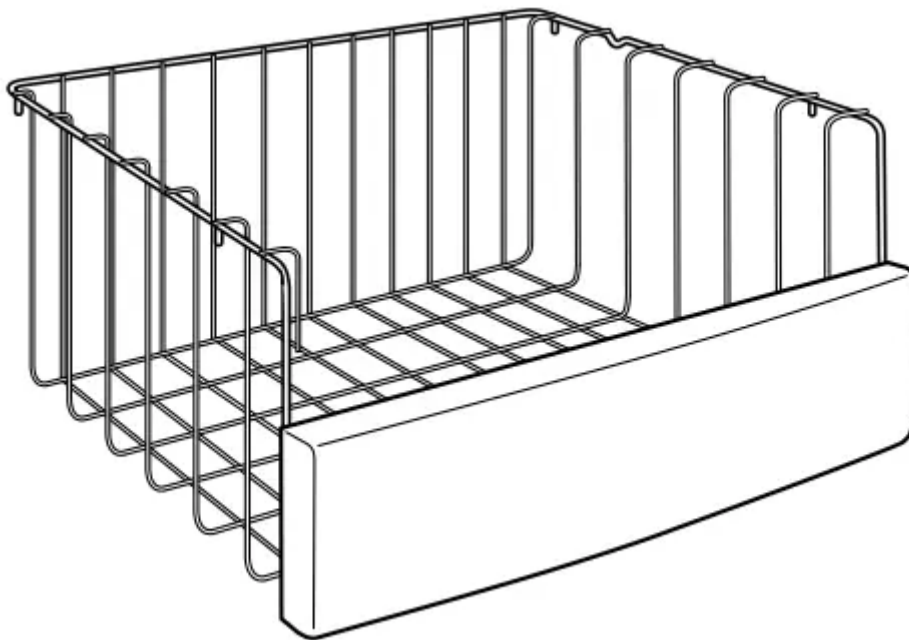
This shelf can be removed and replaced or relocated just like Slide-Out Spillproof Shelves. On some models, this shelf can not be used in the lowest position.



### Freezer baskets

To remove, push the basket all the way to the back of the freezer. Lift up until the back pins are disengaged. Lift the entire basket up and pull out.

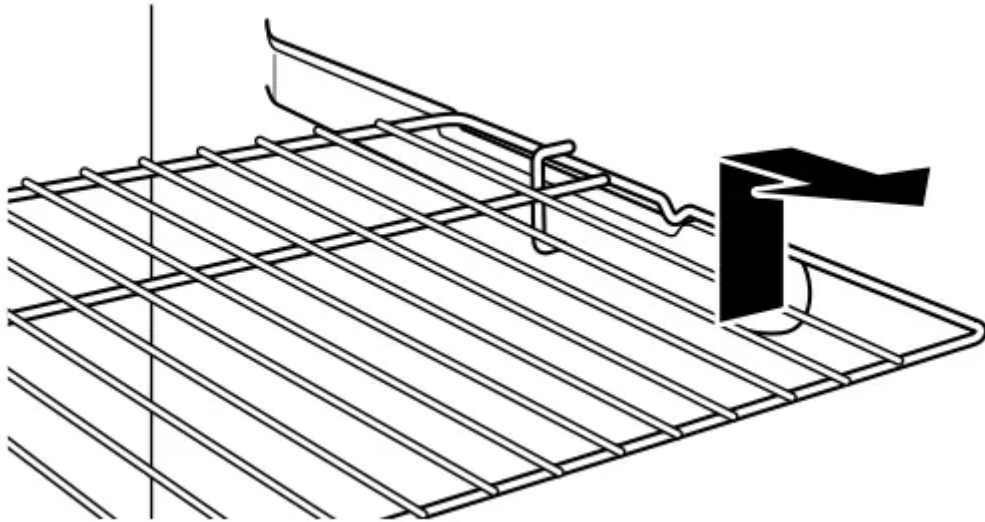
**NOTE:** Make sure you push the baskets all the way back in before you close the door.



### Slide-out freezer shelves

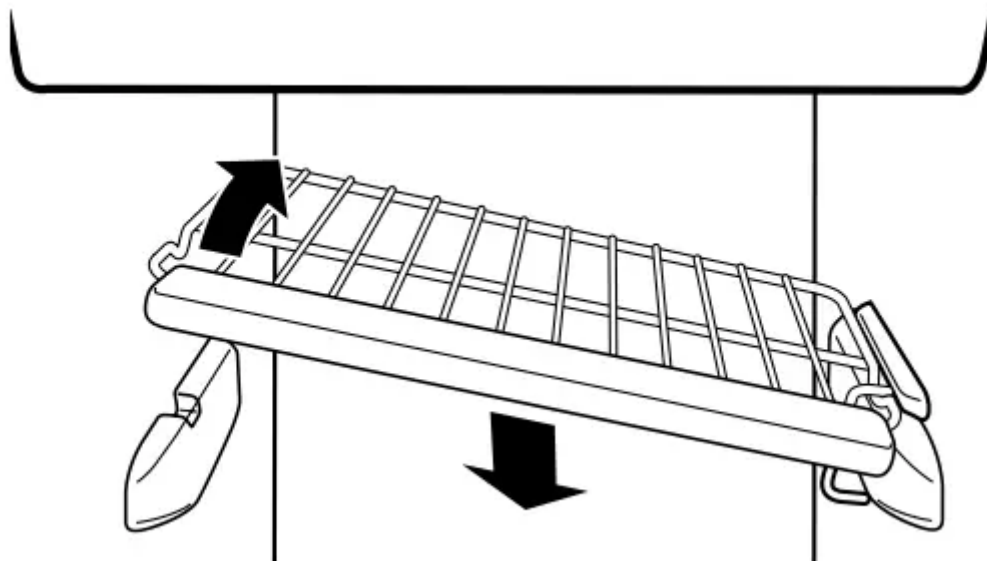
**To remove**, slide out to the stop position, lift the front past the stop position, and slide out.

**NOTE:** Make sure you push the shelves all the way back in before you close the door.



### **Fixed freezer shelves**

**To remove**, lift the shelf up at the left side and then bring the shelf out.



### **Door wine/ beverage rack**

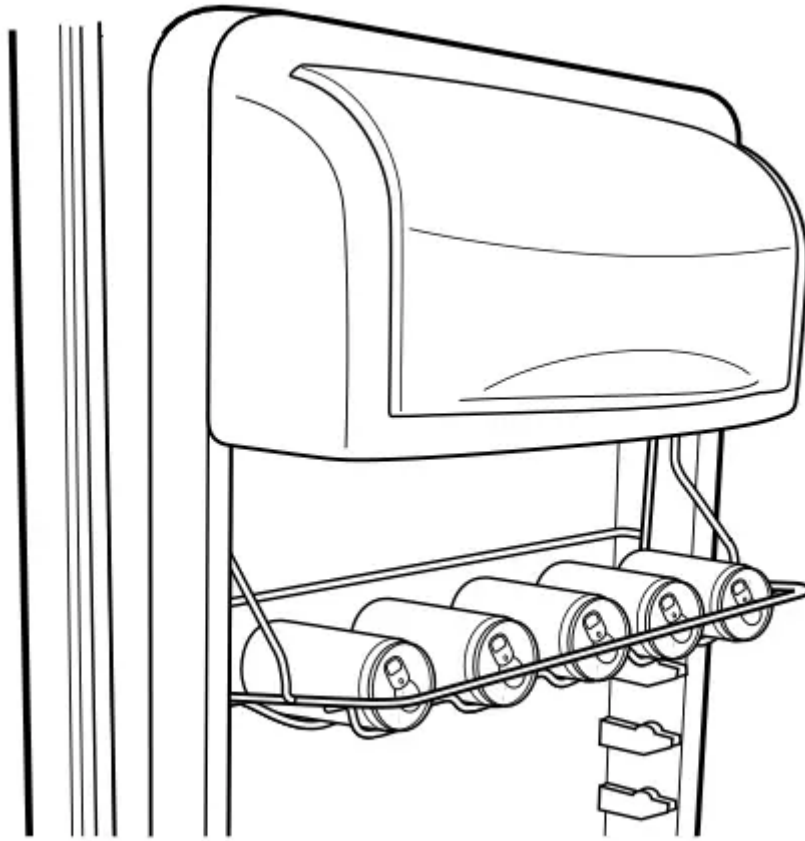
This rack holds up to 5 cans, one bottle of wine or one 2-liter bottle of soda.

The rack hangs from the sides of the dairy bin.

#### **To remove:**

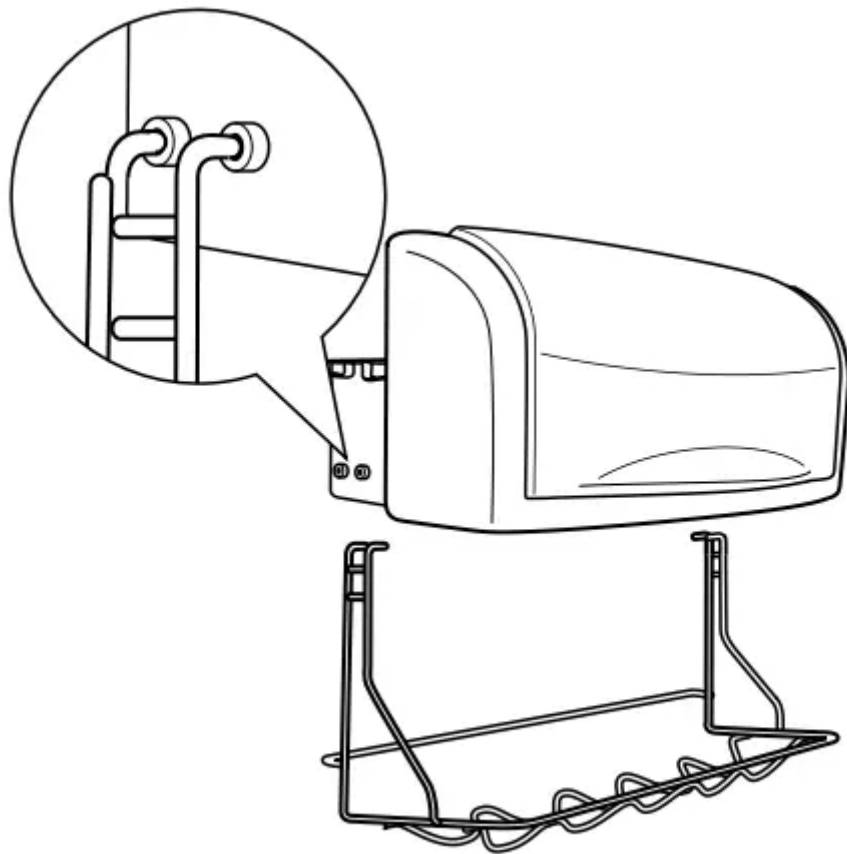
1. Empty the wine/beverage rack.
2. Holding the bottom of the dairy bin, lift the front straight up, then lift up and out.

3. To detach the rack from the dairy bin, pull the rack's side wires out of the holes on each side of the dairy bin.



***To replace:***

1. Reattach the rack to the sides of the bin.
2. Engage the back side of the bin in the molded supports on the door. Then push down on the front of the bin. The bin will lock into place.



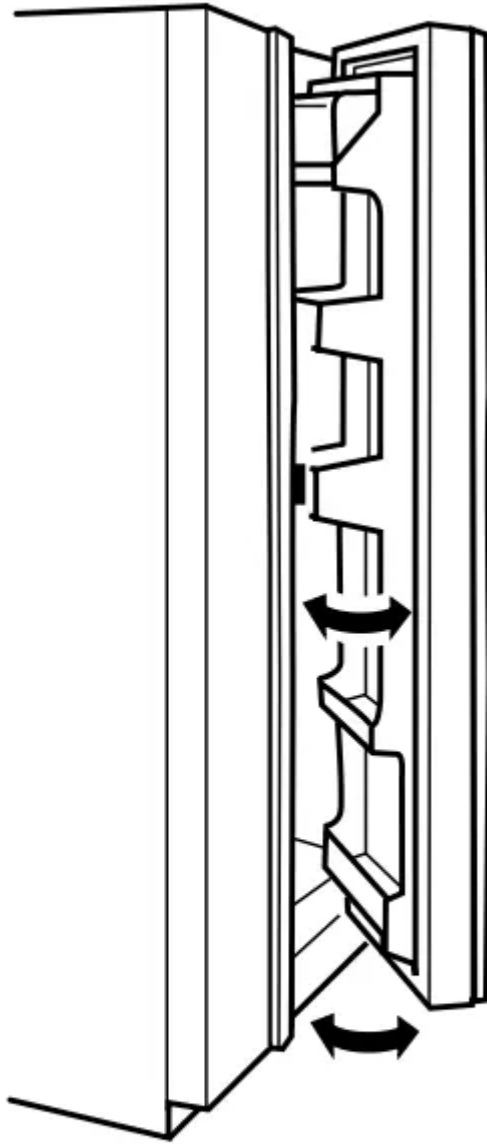
## **Additional Features**

### **Refrigerator doors**

The refrigerator doors may feel different than the ones you are used to. The special door opening/closing feature makes sure the doors close all the way and are securely sealed.

When opening and closing the door you will notice a stop position. If the door is opened past this stop point, the door will remain open to allow you to load and unload food more easily. When the door is only partially open, it will automatically close.

The resistance you feel at the stop position will be reduced as the door is loaded with food.



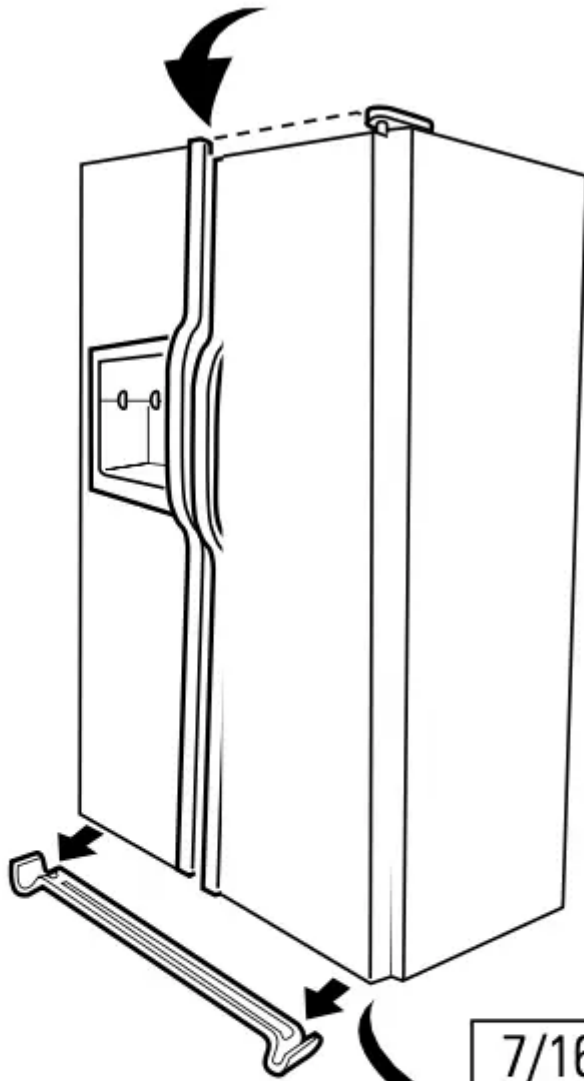
When the door is only partially open,  
it will automatically close.

Beyond this **stop** the door will stay open.

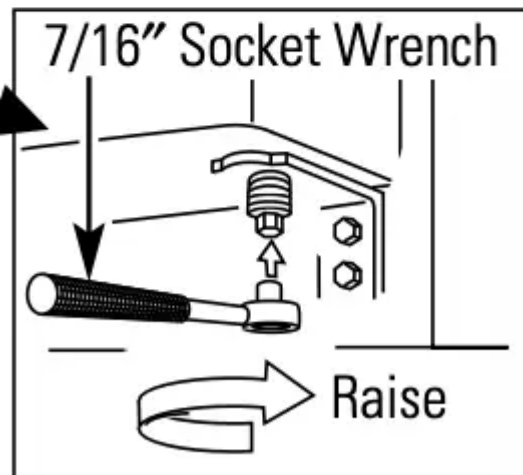
### Door alignment

If doors are uneven, adjust the refrigerator door.

1. Using a 7/16" socket wrench, turn the door adjusting screw to the right to raise the door, to the left to lower it. (A nylon plug, imbedded in the threads of the pin, prevents the pin from turning unless a wrench is used.)
2. After one or two turns of the wrench, open and close the refrigerator door and check the alignment at the top of the doors.



To remove the base grille, open the doors, remove the screw at each end of the base grille and then pull the grille straight out.

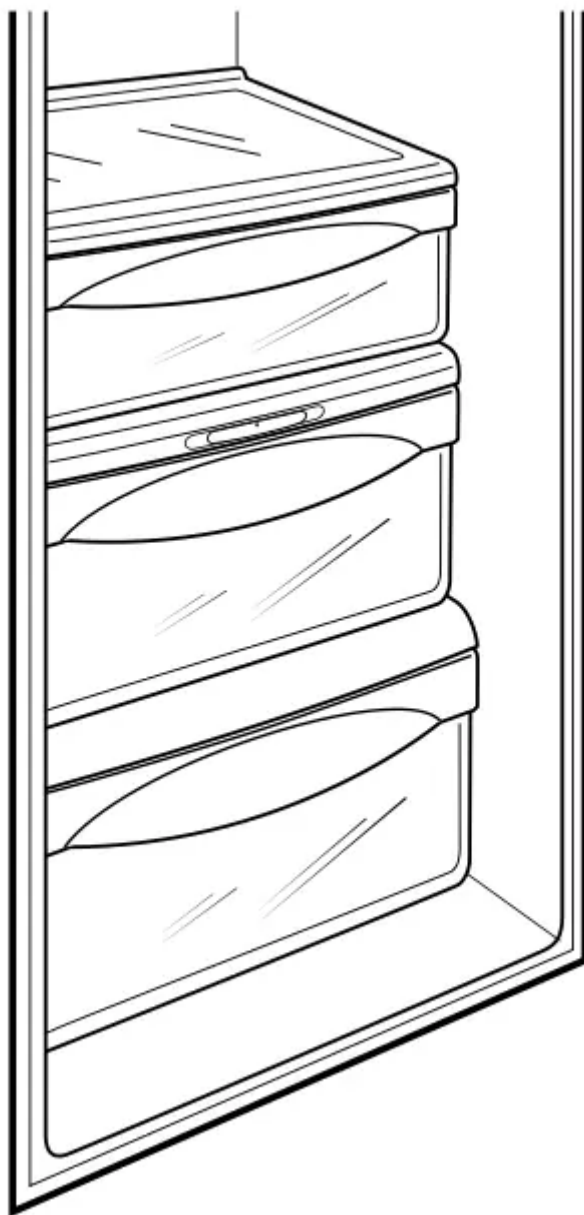


## Crispers and Pans

### Fruit and vegetable crispers

Excess water that may accumulate in the bottom of the drawers should be wiped dry.

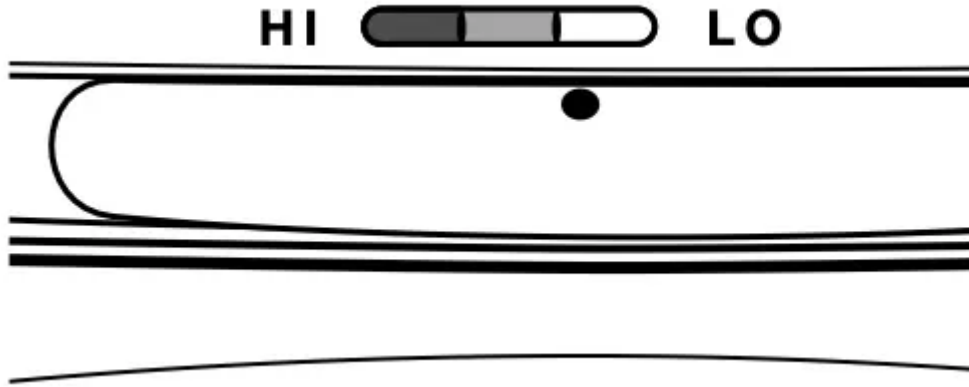
The bottom drawer has a cover that slides back as the drawer is opened. This allows full access to the drawer. As the drawer is closed, the cover will slide forward into its original position.



### **Adjustable humidity crispers**

Slide the control all the way to the HI setting to provide high humidity recommended for most vegetables.

Slide the control all the way to the LO setting to provide lower humidity levels recommended for most fruits.



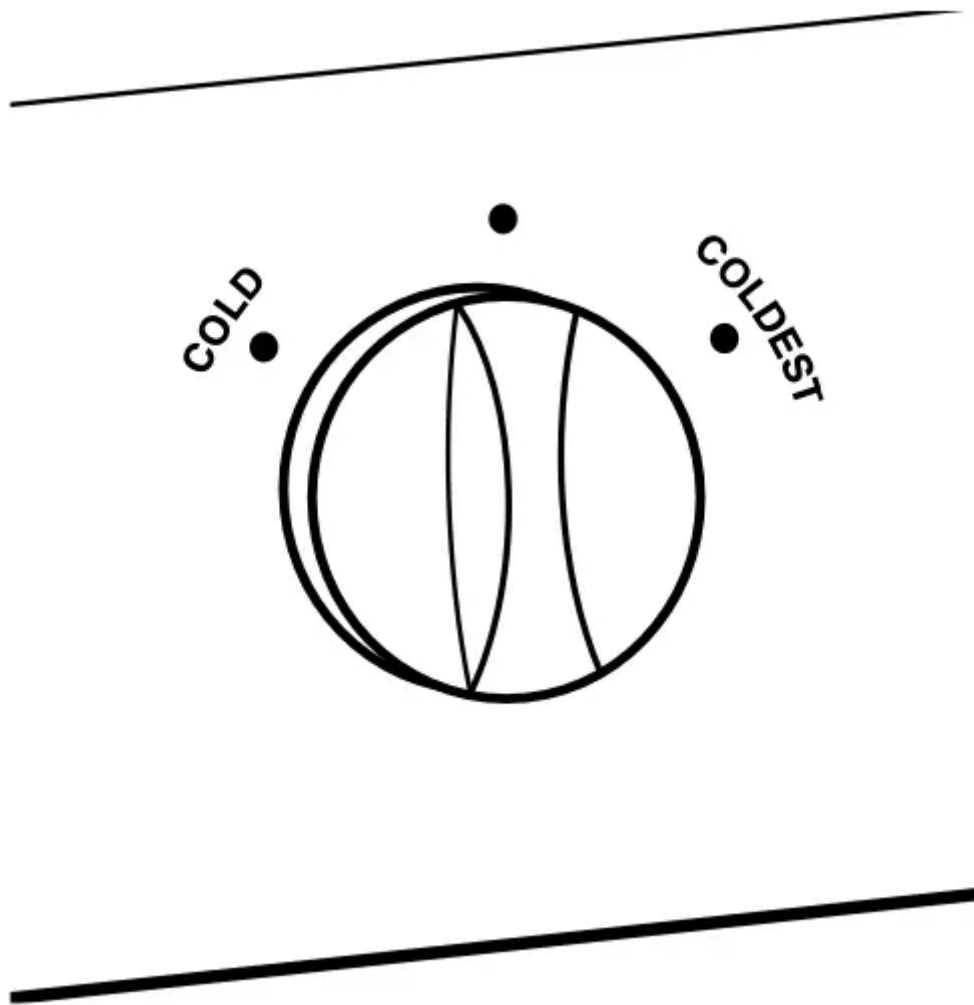
### **Convertible meat pan**

The convertible meat pan has its own cold air duct to allow a stream of cold air from the freezer compartment to flow to the pan.

The variable temperature control regulates the air flow from the Climate Keeper.

Set the control to the coldest setting to store fresh meats.

Set the control to cold to convert the pan to normal refrigerator temperature and provide extra vegetable storage space. The cold air duct is turned off. Variable settings between these extremes can be selected.

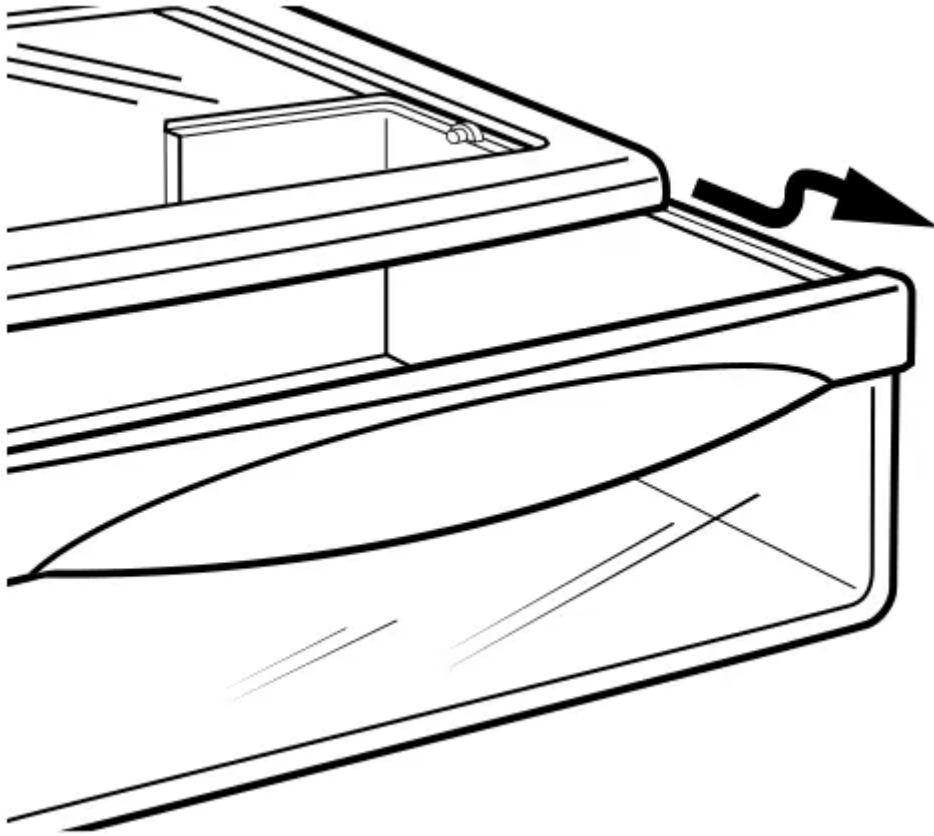


### **Crisper removal**

Crispers can easily be removed by pulling the drawer straight out and lifting the drawer up and over the stop location.

If the door prevents you from taking out the drawers, first try to remove the door bins.

If this does not offer enough clearance, the refrigerator will need to be rolled forward until the door opens enough to slide the drawers out. In some cases, when you roll the refrigerator out, you will need to move the refrigerator to the left or right as you roll it out.



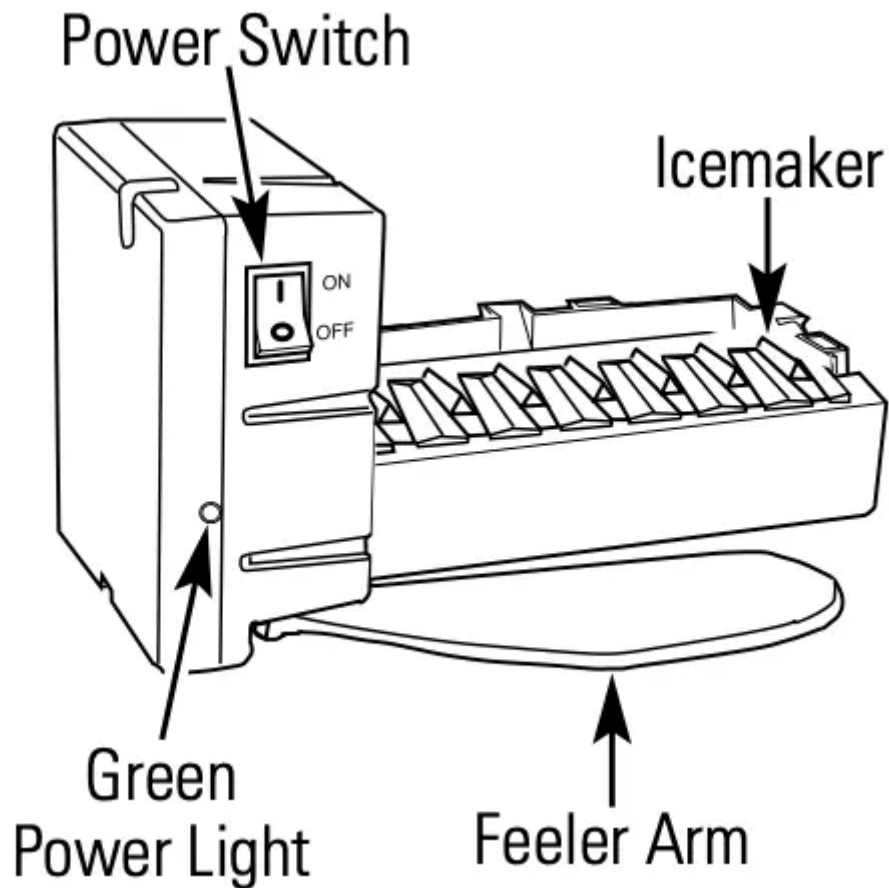
## **Automatic Icemaker**

### **Automatic icemaker**

**NOTE:** A newly installed refrigerator may take 12 to 24 hours to begin making ice.

The icemaker will produce seven cubes per cycle—approximately 100–130 cubes in a 24-hour period, depending on freezer compartment temperature, room temperature, number of door openings and other use conditions.

If the refrigerator is operated before the water connection is made to the icemaker, set the power switch in the O (off) position.



When the refrigerator has been connected to the water supply, set the power switch to the I (on) position.

The icemaker will fill with water when it cools to 15°F (–10°C). A newly installed refrigerator may take 12 to 24 hours to begin making ice cubes.

You will hear a buzzing sound each time the icemaker fills with water.

Throw away the first few batches of ice to allow the water line to clear.

Be sure nothing interferes with the sweep of the feeler arm.

When the bin fills to the level of the feeler arm, the icemaker will stop producing ice. It is normal for several cubes to be joined together.

If ice is not used frequently, old ice cubes will become cloudy, taste stale and shrink.

**Special notes:**

- Dispenser models have a tilt-out ice bin.

The bin can be tilted out as shown in the illustrations, and it will hold itself up while you take ice out or turn the icemaker power switch on and off. Be sure to put the bin back in place before closing the door.

- To restore your ice level from an empty bucket stage, the following steps are recommended:

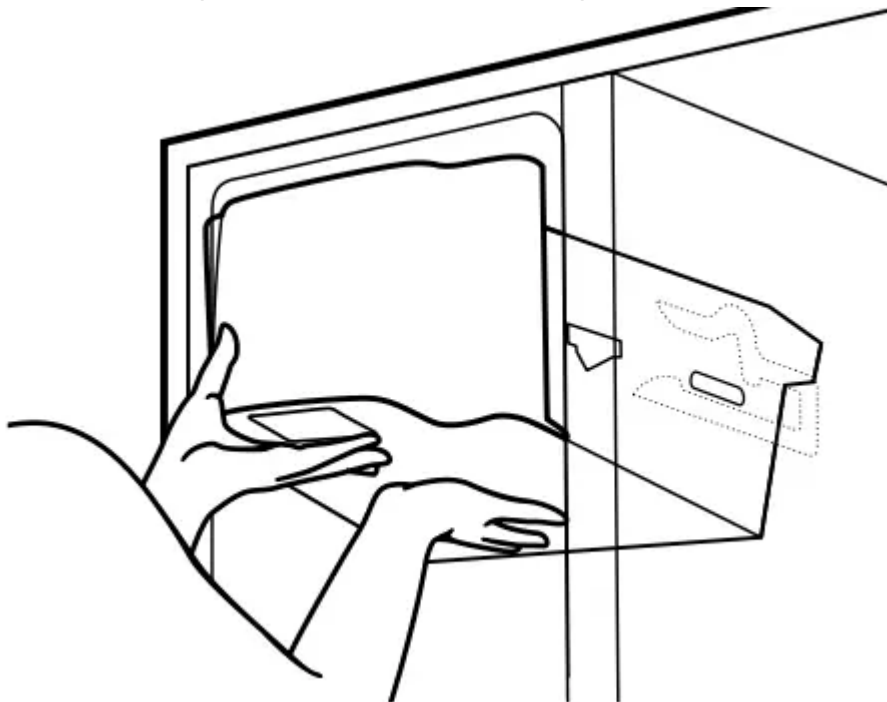
1. 12 hours after the first batch of ice has fallen into the bin, dispense 3 to 4 cubes.
2. After an additional 6 hours, dispense 3 to 4 cubes again.

These steps will restore your ice level in the shortest amount of time.

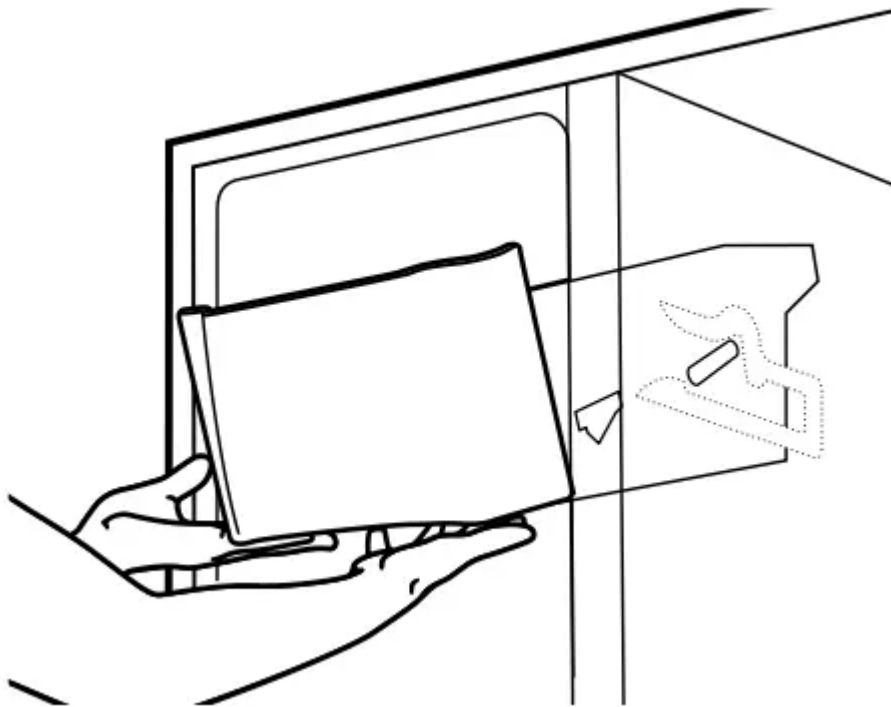
**NOTE:** In homes with lower-than-average water pressure, you may hear the icemaker cycle multiple times when making one batch of ice.

***To access ice or reach the power switch:***

1. Lift the bin, then pull it forward until the bin stops.



2. Lower the bin to access ice or reach the power switch.



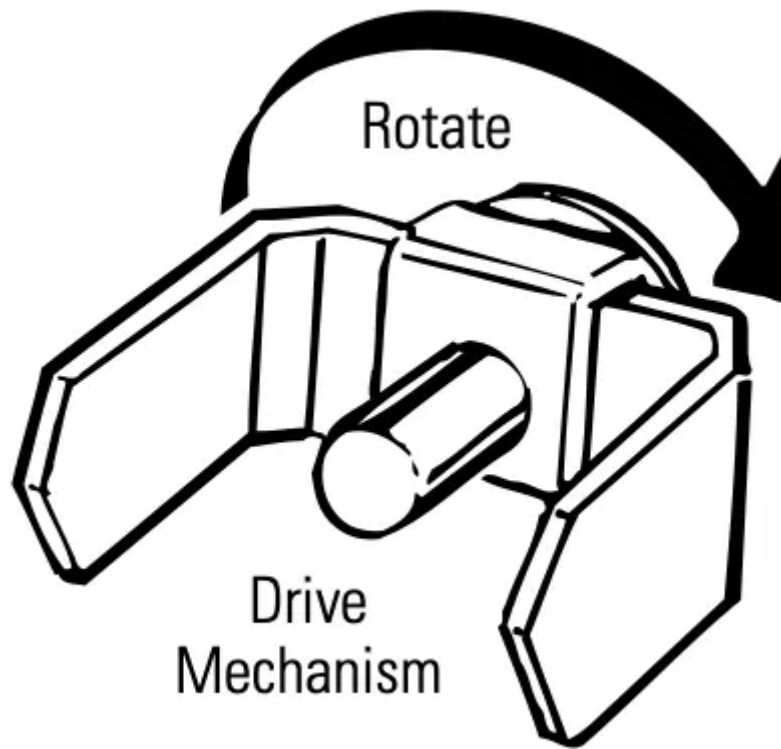
**NOTE:** In order to take full advantage of the tilt-out ice bin, only store items on the shelf below the ice bin that are no taller than the lowest point on the bin.

#### **Removing ice bin**

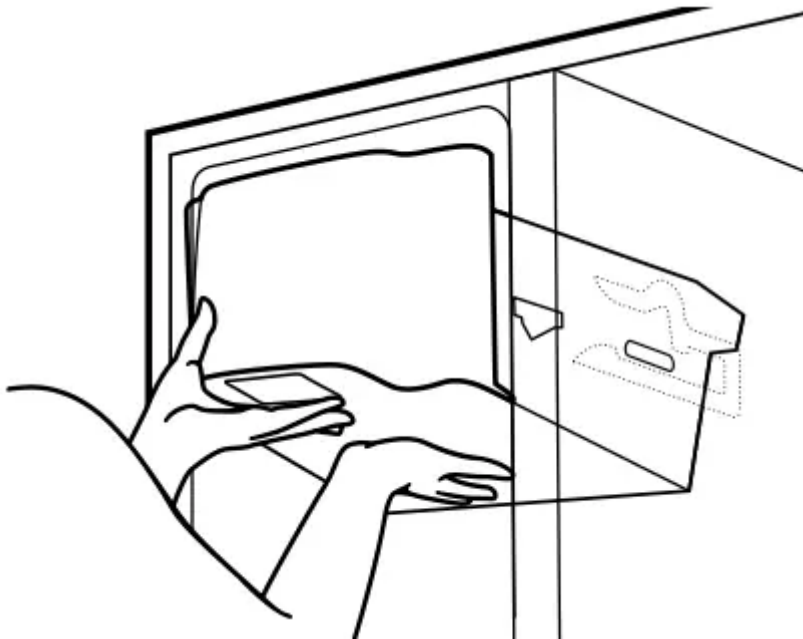
**CAUTION:** The ice bin is heavy when full.

Set the power switch to the O (off) position before removing the bin.

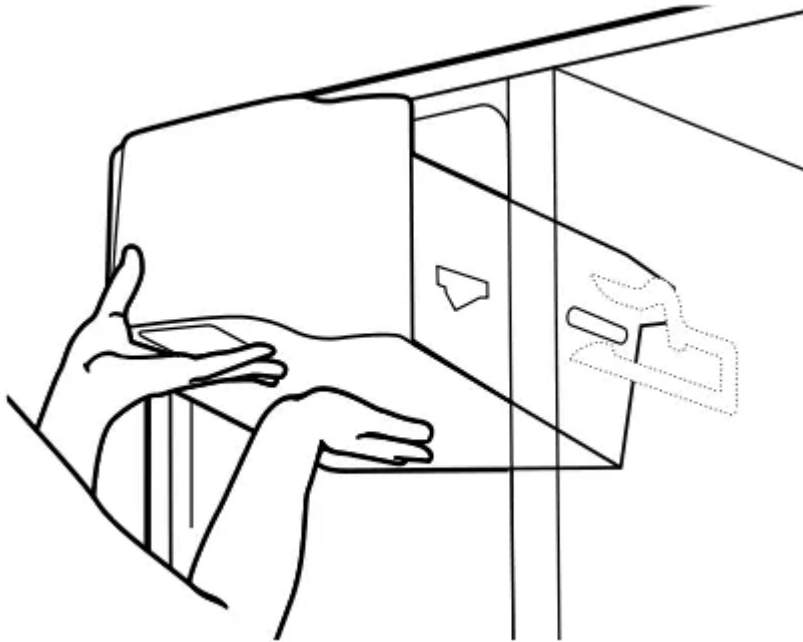
**When replacing the bin,** be sure to press it firmly into place. If it does not go all the way back, remove it and rotate the drive mechanism 1/4 turn. Then push the bin back again.



1. Lift the bin, then pull it forward until the bin stops.



2. Lift and pull forward again to remove the bin.



## Ice and Water Dispenser

### Using the dispenser

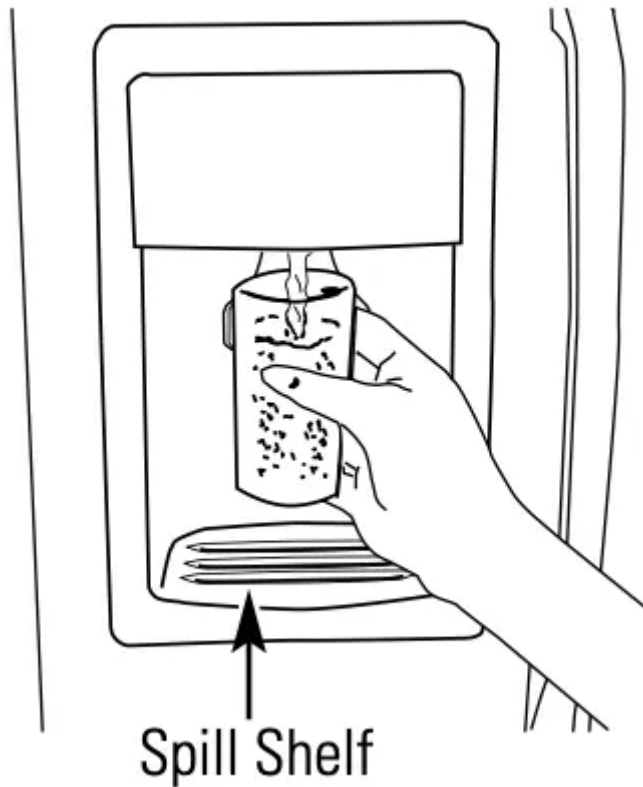
Select CUBED ICE  , CRUSHED ICE  or WATER  .

Press the glass gently against the top of the dispenser cradle.

The spill shelf is not self-draining. To reduce water spotting, the shelf and its grille should be cleaned regularly.

**NOTE:** If no water is dispensed when the refrigerator is first installed, there may be air in the water line system. Press the dispenser arm for at least 2 minutes to remove trapped air from the water line and to fill the water system. To flush out impurities in the water line, throw away the first 6 glassfuls of water.

**CAUTION:** Never put fingers or any other objects into the ice crusher discharge opening.



### **Other dispenser controls**

#### ***Locking the Dispenser***

Press the CONTROL LOCK pad for 3 seconds to lock the dispenser and control panel. To unlock, press and hold the pad again for 3 seconds.



#### ***Dispenser Light***

This pad turns the night light in the dispenser on and off. The light also comes on when the dispenser cradle is pressed. If this light burns out, it should be replaced with a 6 watt 12V maximum bulb.



### ***Quick Ice***

When you need ice in a hurry, press this pad to speed up ice production. This will increase ice production for the following 48 hours or until you press the pad again.



### ***Door Alarm***

To set the alarm, press this pad until the indicator light comes on. This alarm will sound if either door is open for more than 3 minutes. The light goes out and the beeping stops when you close the door.



### **Important facts about the dispenser**

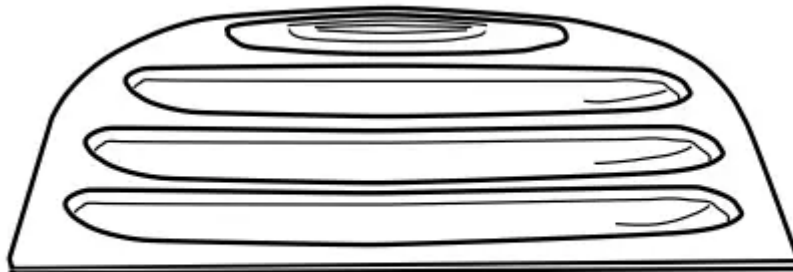
- Do not add ice from trays or bags to the storage drawer. It may not crush or dispense well.

- Avoid overfilling glass with ice and use of narrow glasses. Backed-up ice can jam the chute or cause the door in the chute to freeze shut. If ice is blocking the chute, poke it through with a wooden spoon.
- Beverages and foods should not be quick-chilled in the ice storage drawer. Cans, bottles or food packages in the storage drawer may cause the icemaker or auger to jam.
- To keep dispensed ice from missing the glass, put the glass close to, but not touching, the dispenser opening.
- Some crushed ice may be dispensed even though you selected CUBED ICE. This happens occasionally when a few cubes accidentally get directed to the crusher.
- After crushed ice is dispensed, some water may drip from the chute.
- Sometimes a small mound of snow will form on the door in the ice chute. This condition is normal and usually occurs when you have dispensed crushed ice repeatedly. The snow will eventually evaporate.

## Care and Cleaning

### Cleaning the outside

The dispenser drip area, beneath the grille, should be wiped dry. Water left in this area may leave deposits. Remove the deposits by adding undiluted vinegar to the well. Soak until the deposits disappear or become loose enough to rinse away.



Dispenser drip area.

The dispenser cradle. Before cleaning, lock the dispenser by pressing and holding the CONTROL LOCK pad for 3 seconds. Clean with warm water and baking soda solution—about a tablespoon (15 ml) of baking soda to a quart (1 liter) of water. Rinse thoroughly and wipe dry.

**The stainless steel panels and handles** can be cleaned with a commercially available stainless steel cleaner such as Stainless Steel Magic™ .

Stainless Steel Magic is available at Ace, True Value, Servistar, HWI and other leading stores. It is also available through GE Parts and Accessories, 800.626.2002. Order part number WX10X15.

Do not use appliance wax or polish on the stainless steel.

## **Cleaning the inside**

**To help prevent odors**, leave an open box of baking soda in the fresh food and freezer compartments.

Unplug the refrigerator before cleaning.

If this is not practical, wring excess moisture out of sponge or cloth when cleaning around switches, lights or controls.

Use warm water and baking soda solution about a tablespoon (15 ml) of baking soda to a quart (1 liter) of water. This both cleans and neutralizes odors. Rinse and wipe dry.

Use of any cleaning solution other than that which is recommended, especially those that contain petroleum distillates, can crack or damage the interior of the refrigerator.

Avoid cleaning cold glass shelves with hot water because the extreme temperature difference may cause them to break. Handle glass shelves carefully. Bumping tempered glass can cause it to shatter.

Do not wash any plastic refrigerator parts in the dishwasher.

The Chill/Thaw tray is dishwasher safe.

## **Behind the refrigerator**

Be careful when moving the refrigerator away from the wall. All types of floor coverings can be damaged, particularly cushioned coverings and those with embossed surfaces.

Pull the refrigerator straight out and return it to position by pushing it straight in. Moving the refrigerator in a side direction may result in damage to the floor covering or refrigerator.

When pushing the refrigerator back, make sure you don't roll over the power cord or icemaker supply line.

## **Preparing for vacation**

For long vacations or absences, remove food and unplug the refrigerator. Clean the interior with a baking soda solution of one tablespoon (15 ml) of baking soda to one quart (1 liter) of water. Leave the doors open.

Set the icemaker power switch to the O (off) position and shut off the water supply to the refrigerator.

If the temperature can drop below freezing, have a qualified servicer drain the water supply system to prevent serious property damage due to flooding.

## **Preparing to move**

Secure all loose items such as shelves and drawers by taping them securely in place to prevent damage.

When using a hand truck to move the refrigerator, do not rest the front or back of the refrigerator against the hand truck. This could damage the refrigerator. Handle only from the sides of the refrigerator.

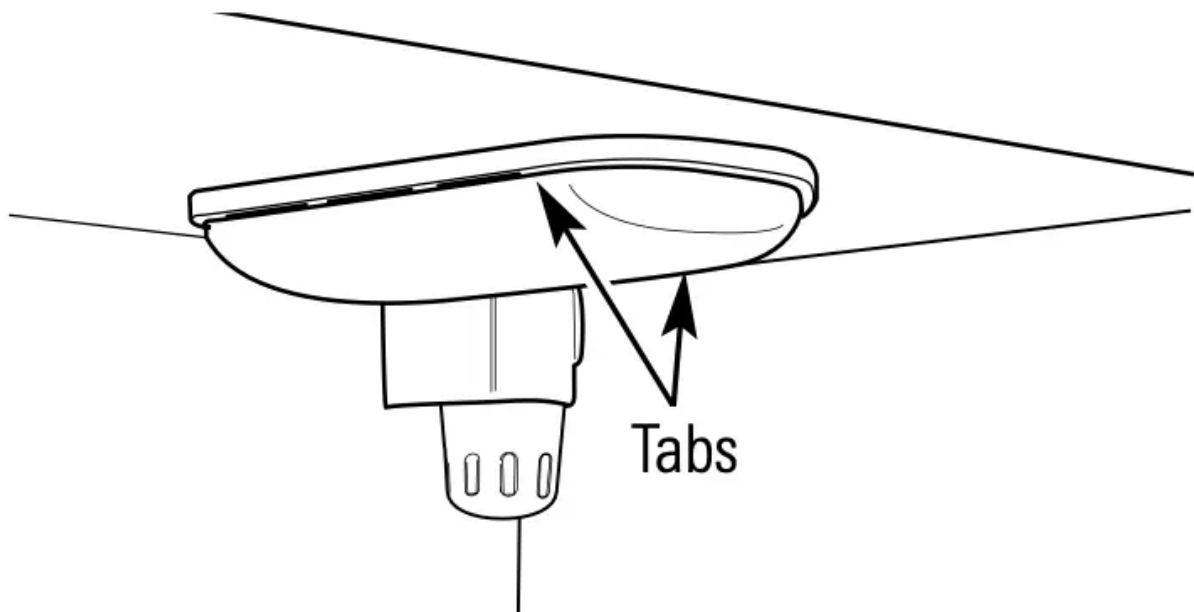
Be sure the refrigerator stays in an upright position during moving.

## Replacing the Light Bulbs

### Fresh food compartment upper light

Setting the controls to OFF does not remove power to the light circuit.

1. Unplug the refrigerator.
2. The bulbs are located at the top of the compartment, inside the light shield. On some models, a screw at the front of the light shield will have to be removed.
3. To remove the light shield, press in on the tabs on the sides of the shield and slide forward and out.
4. After replacing the bulb with an appliance bulb of the same or lower wattage, replace the light shield and screws (on some models). When replacing the light shield, make sure that the tabs at the back of the shield fit into the slots at the back of the light shield housing.
5. Plug the refrigerator back in.



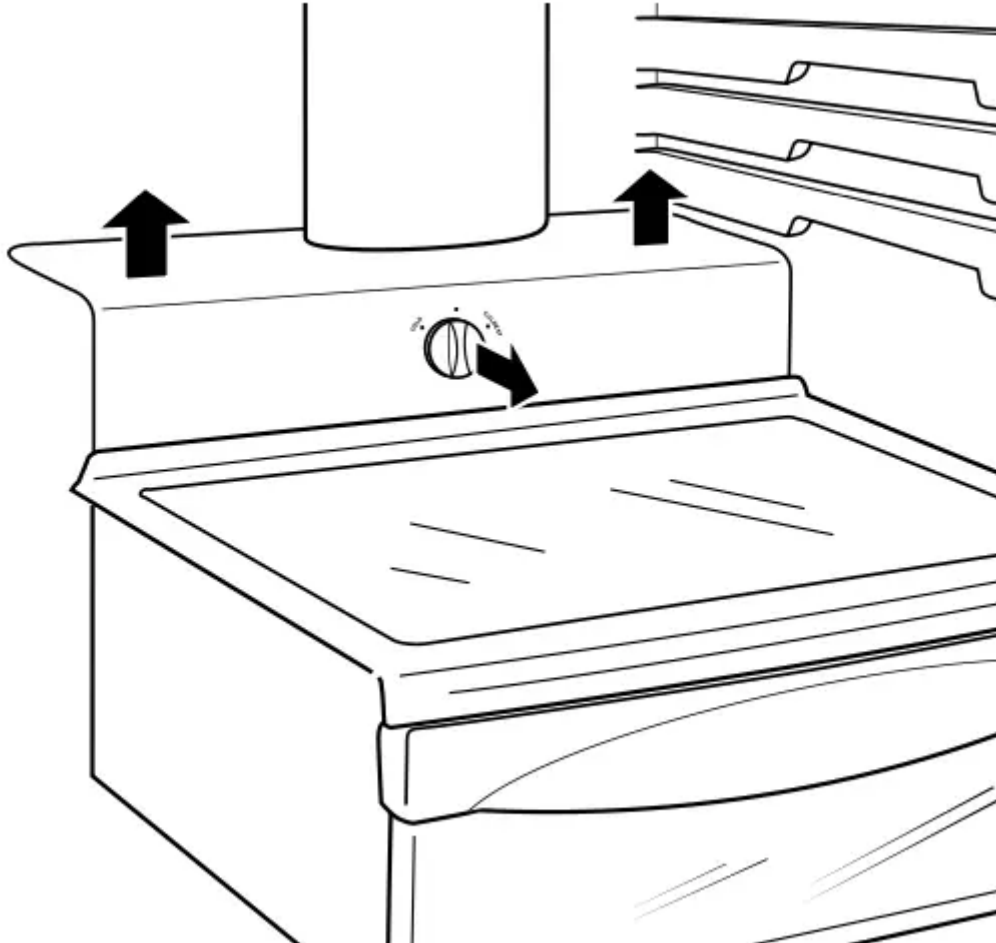
### Fresh food compartment lower light

Setting the controls to OFF does not remove power to the light circuit.

This light is located above the top pan.

1. Unplug the refrigerator.
2. Remove the convertible meat drawer control knob by pulling straight out.

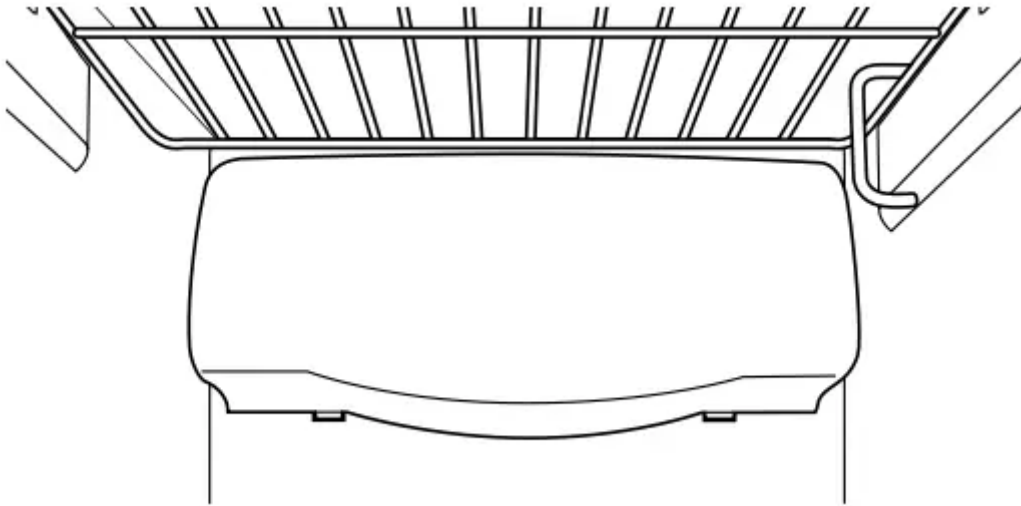
3. Lift the light shield up and pull it out.
4. After replacing the bulb with an appliance bulb of the same or lower wattage, replace the shield and the knob.
5. Plug the refrigerator back in.



### Freezer compartment

Setting the controls to OFF does not remove power to the light circuit.

1. Unplug the refrigerator.
2. Remove the shelf just above the light shield. (The shelf will be easier to remove if it is emptied first.) On some models, a screw at the top of the light shield will need to be removed.
3. To remove the light shield, press in on the sides, and lift up and out.
4. Replace the bulb with an appliance bulb of the same or lower wattage, and reinstall the light shield. When reinstalling the light shield, make sure the top tabs snap securely into place. Replace the screw (on some models).
5. Reinstall the shelf and plug the refrigerator back in.



## Dispenser

Setting the controls to OFF does not remove power to the light circuit.

1. Unplug the refrigerator.
2. The bulb is located on the dispenser under the control panel. Remove the light bulb by turning it counterclockwise.
3. Replace the bulb with a bulb of the same size and wattage.
4. Plug the refrigerator back in.

## The Problem Solver

### Normal operating sounds

Newer refrigerators sound different from older refrigerators. Modern refrigerators have more features and use newer technology.

Do you hear what I hear? These sounds are normal.

***HUMMM...***  
***WHOOSH...***

- The new high efficiency compressor may run faster and longer than your old refrigerator and you may hear a high-pitched hum or pulsating sound while it is operating.

- Sometimes the refrigerator runs for an extended period, especially when the doors are opened frequently. This means that the Frost Guard™ feature is working to prevent freezer burn and improve food preservation.
- You may hear a whooshing sound when the doors close. This is due to pressure equalizing within the refrigerator.



- You may hear the fans spinning at high speeds. This happens when the refrigerator is first plugged in, when the doors are opened frequently or when a large amount of food is added to the refrigerator or freezer compartments. The fans are helping to maintain the correct temperatures.
- If either door is open for over 3 minutes, you may hear the fans come on in order to cool the light bulbs.
- The fans change speeds in order to provide optimal cooling and energy savings.
- You may hear the fans running after selecting one of the CustomCool™ settings.

#### **CLICKS, POPS, CRACKS and CHIRPS**

- You may hear cracking or popping sounds when the refrigerator is first plugged in. This happens as the refrigerator cools to the correct temperature.
- Electronic dampers click open and closed to provide optimal cooling and energy savings.
- The compressor may cause a clicking or chirping sound when attempting to restart (this could take up to 5 minutes).
- The electronic control board may cause a clicking sound when relays activate to control refrigerator components.
- Expansion and contraction of cooling coils during and after defrost can cause a cracking or popping sound.
- After an icemaking cycle, you may hear the ice cubes dropping into the ice bucket.

# WATER SOUNDS



- The flow of refrigerant through the freezer cooling coils may make a gurgling noise like boiling water.
- Water dropping on the defrost heater can cause a sizzling, popping or buzzing sound during the defrost cycle.
- A water dripping noise may occur during the defrost cycle as ice melts from the evaporator and flows into the drain pan.
- Closing the door may cause a gurgling sound due to pressure equalization.

For additional information on normal icemaker and dispenser operating sounds, see the Automatic Icemaker and Ice and Water Dispenser sections.

**Questions? Use this problem solver!**



PROBLEM	POSSIBLE CAUSE
<p><b>REFRIGERATOR DOES NOT OPERATE</b></p>	<ul style="list-style-type: none"> <li>• Refrigerator may be in defrost cycle when motor does not operate for about 30 minutes.</li> <li>• Either or both controls set to OFF. Set to a temperature setting.</li> <li>• If interior light is not on, refrigerator may not be plugged in at wall outlet. Push the plug completely into the wall outlet.</li> <li>• The fuse is blown/circuit breaker is tripped. Replace fuse or reset the breaker.</li> <li>• The refrigerator is in showroom mode. Unplug it and plug it back in.</li> </ul>
<p><b>VIBRATION OR RATTLING (Slight vibration is normal.)</b></p>	<ul style="list-style-type: none"> <li>• Adjust the rollers as shown in the Installation Instructions.</li> </ul>
<p><b>MOTOR OPERATES FOR LONG PERIODS OR CYCLES ON AND OFF FREQUENTLY (Modern refrigerators with more storage space and a larger freezer require more operating time. They start and stop often to maintain even temperatures.)</b></p>	<ul style="list-style-type: none"> <li>• Normal when refrigerator is first plugged in. Wait 24 hours for the refrigerator to completely cool down.</li> <li>• Often occurs when large amounts of food are placed in refrigerator. This is normal.</li> <li>• Door left open or package holding door open.</li> <li>• Hot weather or frequent door openings. This is normal.</li> <li>• Temperature controls set at the coldest setting. See Temperature Controls.</li> </ul>
<p><b>FRESH FOOD OR FREEZER COMPARTMENT TOO WARM</b></p>	<ul style="list-style-type: none"> <li>• Temperature controls not set cold enough. See Temperature Controls.</li> <li>• Warm weather or frequent door openings.</li> <li>• Door left open for long time.</li> <li>• Package may be holding door open.</li> </ul>



PROBLEM	POSSIBLE CAUSE
<b>FROST OR ICE CRYSTALS ON FROZEN FOOD (Frost within package is normal.)</b>	<ul style="list-style-type: none"> <li>• Door left open or package holding door open.</li> <li>• Too frequent or too long door openings.</li> </ul>
<b>DIVIDER BETWEEN FRESH FOOD AND FREEZER COMPARTMENTS FEELS WARM</b>	<ul style="list-style-type: none"> <li>• Automatic energy saver system circulates warm liquid around the front edge of the freezer compartment to help prevent condensation from forming on the outside.</li> </ul>
<b>AUTOMATIC ICEMAKER DOES NOT WORK</b>	<ul style="list-style-type: none"> <li>• Icemaker power switch is in the O (off) position.</li> <li>• Water supply turned off or not connected. See Installation Instructions.</li> <li>• Freezer compartment too warm. Allow 24 hours for the refrigerator to completely cool down.</li> <li>• Piled up cubes in storage bin cause icemaker to shutoff. Level cubes in bin.</li> <li>• Ice cubes stuck in icemaker (green power light on the icemaker is blinking). Turn off the icemaker, remove cubes and turn the icemaker back on.</li> </ul>
<b>FREQUENT “BUZZING” SOUND</b>	<ul style="list-style-type: none"> <li>• Icemaker power switch is in the I (on) position, but the water supply to the refrigerator has not been connected. Set the power switch to the O (off) position. Keeping it in the I (on) position will damage the water valve.</li> </ul>
<b>ICE CUBES HAVE ODOR/TASTE</b>	<ul style="list-style-type: none"> <li>• Old cubes need to be discarded.</li> <li>• Ice storage bin needs to be emptied and washed.</li> </ul>



PROBLEM	POSSIBLE CAUSE
	<ul style="list-style-type: none"> <li>• Unsealed packages in fresh food and/or freezer compartments may be transmitting odor/taste to ice cubes.</li> <li>• Interior of refrigerator needs cleaning. See Care and Cleaning.</li> </ul>
<b>SMALL OR HOLLOW CUBES</b>	<ul style="list-style-type: none"> <li>• Water filter clogged. Replace the filter or use the filter by pass plug.</li> </ul>
<b>SLOW ICE CUBE FREEZING</b>	<ul style="list-style-type: none"> <li>• Door may have been left open.</li> <li>• Turn temperature of freezer compartment colder. See Temperature Controls.</li> </ul>
<b>CUBE DISPENSER DOES NOT WORK</b>	<ul style="list-style-type: none"> <li>• Icemaker or water supply turned off. Turn on icemaker or water supply.</li> <li>• Ice cubes are frozen to the icemaker feeler arm. Remove the cubes.</li> <li>• Irregular clumps in the storage bin. Break up with finger tip pressure and discard remaining clumps. The freezer may be too warm. Adjust the freezer temperature control colder one step at a time until clumps do not form.</li> <li>• The dispenser is LOCKED. Press and hold the CONTROL LOCK pad for 3 seconds.</li> <li>• An item is blocking or has fallen into the ice chute inside the top door bin of the freezer. Remove any item that might be blocking or has fallen into the chute.</li> </ul>
<b>WATER HAS POOR TASTE/ODOR</b>	<ul style="list-style-type: none"> <li>• Water dispenser has not been used for a long time. Dispense water until all water in the system has been replenished.</li> </ul>



PROBLEM	POSSIBLE CAUSE
<b>WATER IN FIRST GLASS IS WARM</b>	<ul style="list-style-type: none"> <li>• Normal when refrigerator is first installed. Allow 24 hours for the refrigerator to completely cool down.</li> <li>• Water dispenser has not been used for a long time. Dispense water until all water in the system has been replenished.</li> <li>• Water system has been drained. Allow several hours for the replenished water supply to chill.</li> </ul>
<b>WATER DISPENSER DOES NOT WORK</b>	<ul style="list-style-type: none"> <li>• Water supply line turned off or not connected. See the Installation Instructions.</li> <li>• Water filter clogged. Replace the filter or use the filter bypass plug.</li> <li>• Air may be trapped in the system. Press the dispenser arm for at least 2 minutes.</li> <li>• The dispenser is LOCKED. Press and hold the CONTROL LOCK pad for 3 seconds.</li> </ul>
<b>WATER SPURTING FROM DISPENSER</b>	<ul style="list-style-type: none"> <li>• Newly installed filter cartridge. Run water from the dispenser for about 3 minutes (about 1 1/2 gallons).</li> </ul>
<b>WATER IS NOT DISPENSED BUT ICE MAKER IS WORKING</b>	<ul style="list-style-type: none"> <li>• Water in reservoir is frozen. Call for service.</li> <li>• Fresh food control setting is too cold. Set to a warmer setting.</li> </ul>
<b>NO WATER OR ICE CUBE PRODUCTION</b>	<ul style="list-style-type: none"> <li>• Water supply line or shutoff valve is clogged. Call a plumber.</li> <li>• Replace the filter or use the filter bypass plug.</li> </ul>



PROBLEM	POSSIBLE CAUSE
	<ul style="list-style-type: none"> <li>• The dispenser is LOCKED. Press and hold the CONTROL LOCK pad for 3 seconds.</li> </ul>
<p><b>CUBED ICE WAS SELECTED BUT CRUSHED ICE WAS DISPENSED</b></p>	<ul style="list-style-type: none"> <li>• The last setting was CRUSHED ICE and a few cubes were left in the crusher from the previous setting. This is normal.</li> </ul>
<p><b>ORANGE GLOW IN FREEZER</b></p>	<ul style="list-style-type: none"> <li>• Defrost heater is on. This is normal.</li> </ul>
<p><b>REFRIGERATOR HAS ODOR DOOR NOT CLOSING PROPERLY</b></p>	<ul style="list-style-type: none"> <li>• Foods with strong odors should be tightly wrapped.</li> <li>• Interior needs cleaning. See Care and Cleaning.</li> <li>• Keep open box of baking soda in refrigerator; replace every 3 months.</li> </ul> <hr/> <ul style="list-style-type: none"> <li>• Door gasket on hinge side is sticking or folding over. Apply paraffin wax to the face of the gasket.</li> <li>• A door bin is hitting a shelf inside the refrigerator. Move the door bin up one position.</li> </ul>
<p><b>MOISTURE FORMS ON OUTSIDE OF REFRIGERATOR</b></p>	<ul style="list-style-type: none"> <li>• Not unusual during periods of high humidity. Wipe surface dry.</li> <li>• Door left open or package holding door open.</li> </ul>
<p><b>MOISTURE COLLECTS INSIDE</b></p>	<ul style="list-style-type: none"> <li>• Too frequent or too long door openings.</li> <li>• In humid weather, air carries moisture into refrigerator when doors are opened.</li> </ul>
<p><b>INTERIOR LIGHT DOES NOT WORK</b></p>	<ul style="list-style-type: none"> <li>• No power at outlet.</li> </ul>



PROBLEM	POSSIBLE CAUSE
	<ul style="list-style-type: none"> <li>• Light bulb needs replacing. See Care and Cleaning.</li> </ul>
<p><b>WATER ON KITCHEN FLOOR OR BOTTOM OF FREEZER</b></p>	<ul style="list-style-type: none"> <li>• Ice cubes jammed in chute. Poke ice through with a wooden spoon.</li> </ul>
<p><b>HOT AIR FROM BOTTOM OF REFRIGERATOR</b></p>	<ul style="list-style-type: none"> <li>• Normal air flow cooling motor. In the refrigeration process, it is normal that heat be expelled in the area under the refrigerator. Some floor coverings are sensitive and will discolor at these safe and normal temperatures.</li> </ul>
<p><b>REFRIGERATOR NEVER SHUTS OFF BUT TEMPERATURES ARE OK</b></p>	<ul style="list-style-type: none"> <li>• Adaptive defrost keeps compressor running during door openings. This is normal. The refrigerator will cycle off after the door remains closed for two hours.</li> </ul>
<p><b>REFRIGERATOR BEEPING</b></p>	<ul style="list-style-type: none"> <li>• Door is open and DOOR ALARM is on.</li> </ul>
<p><b>FOOD ISN'T THAWING/CHILLING</b></p>	<ul style="list-style-type: none"> <li>• Packaging insulating food. Increase time or re-package in plastic.</li> <li>• The wrong weight is selected. Select a larger weight.</li> <li>• Item with high fat content. Select a larger weight.</li> <li>• Not using Chill/Thaw tray. Place items on tray and allow space in between items for better air flow.</li> </ul>
<p><b>ACTUAL TEMPERATURE NOT EQUAL TO SET TEMPERATURE</b></p>	<ul style="list-style-type: none"> <li>• Unit just plugged in. Allow 24 hours for the system to stabilize.</li> <li>• Door open for too long. Allow 24 hours for the system to stabilize.</li> </ul>



PROBLEM	POSSIBLE CAUSE
	<ul style="list-style-type: none"> <li>• Warm food added to refrigerator. Allow 24 hours for the system to stabilize.</li> <li>• Defrost cycle is in process. Allow 24 hours for the system to stabilize.</li> </ul>
<p><b>SELECT TEMP FEATURE IS NOT WORKING</b></p>	<ul style="list-style-type: none"> <li>• Fresh food compartment temperature control is set at the warmest setting. This is normal. In order to minimize energy usage, the SELECTTEMP feature is disabled when the fresh food compartment temperature control is set at the warmest setting.</li> </ul>
<p><b>DOORS ARE NOT ALIGNED</b></p>	<ul style="list-style-type: none"> <li>• Unlevel floor. Adjust rollers then align doors by adjusting the fresh food compartment hinge. See Installation Instructions.</li> </ul>

**Warning**

This content is compiled from multiple sources and is provided for reference purposes only. It may not be complete or fully applicable to all situations. If you are unable to resolve your issue, please contact the product manufacturer or an authorized service provider for official support.

