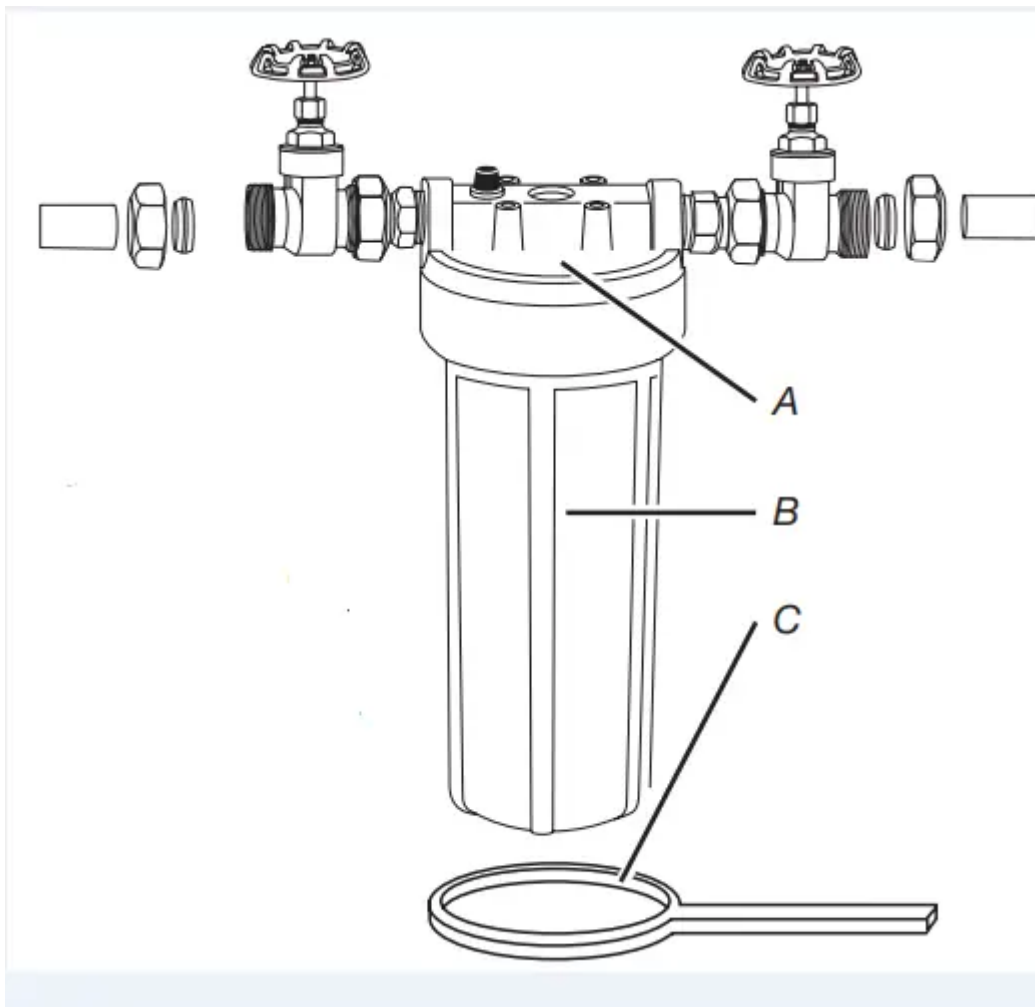


Parts and Material Included



A. Filter Head

C. Housing Wrench

B. Opaque Housing

Tools & Parts Needed

Gather the required tools before starting installation. Read and follow the instructions provided with any tools listed here.

- Two 3/4" male x 3/4" street adapters
- Two 3/4" gate valve (compression type)
- Teflon® Tape
- Adjustable Wrench

- Pipe Cutter
- Filter

Installation Requirements

- Properly tighten all fittings to ensure a leak-free assembly.
- Be sure to sweat any fittings away from filter housing. Damage may result from excessive heat and void warranty.
- Filter housing is intended for use on cold water lines.
- Install in a location that is not susceptible to freezing temperatures as damage to the housing could occur.
- Install away from direct sunlight as prolonged exposure to light can weaken plastic components.
- Allow a minimum of 2" clear space below unit to facilitate filter change.
- Some local codes may require the use of a licensed plumber or certified installer when disrupting a potable water line. Determine and follow any and all local codes and requirements.
- Pipe and filter need to be properly supported with either pipe hangers or optional Whirlpool Bracket WHKF-B6.
- For metal water piping systems a grounding connection is required (Whirlpool Grounding Kit WHKF-GRND).

Installation Instructions

For Use With Cold Water Only

1. Shut off main water supply. Drain water from water lines.
2. Remove opaque housing from filter head and set aside.

over tighten
3. Wrap Teflon® tape (2 1/2 wraps) around the 3/4" male x 3/4" street adapter in a clockwise direction (see Figure 1) and screw firmly to filter head. Do not use pipe sealant (dope), as solvents in some types of pipe dope may cause damage to plastic fittings. Do not overtighten, overtightening can cause damage to filter head.

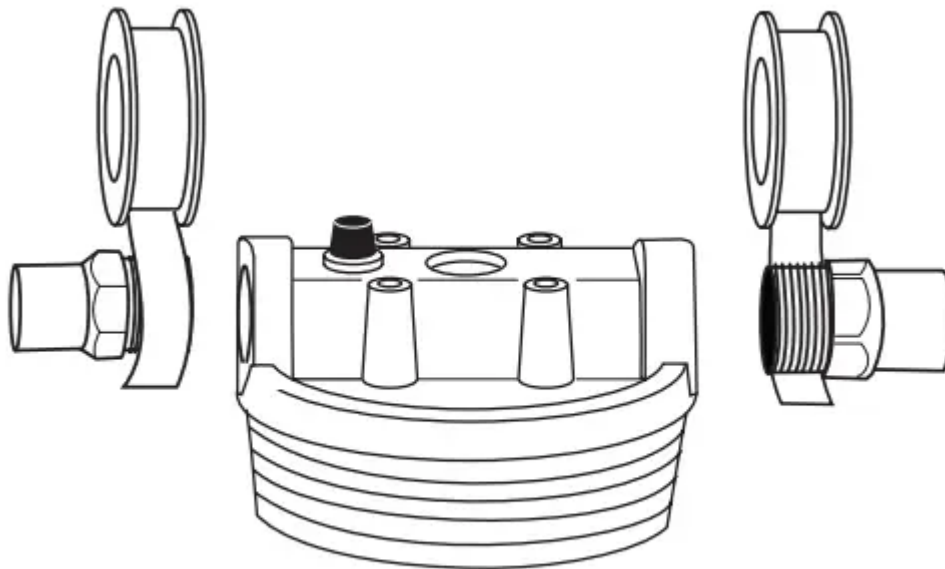


Figure 1

4. Loosely fit shutoff valves on both sides to calculate proper spacing of components. Measure distance and mark pipe accordingly (see Figure 2).

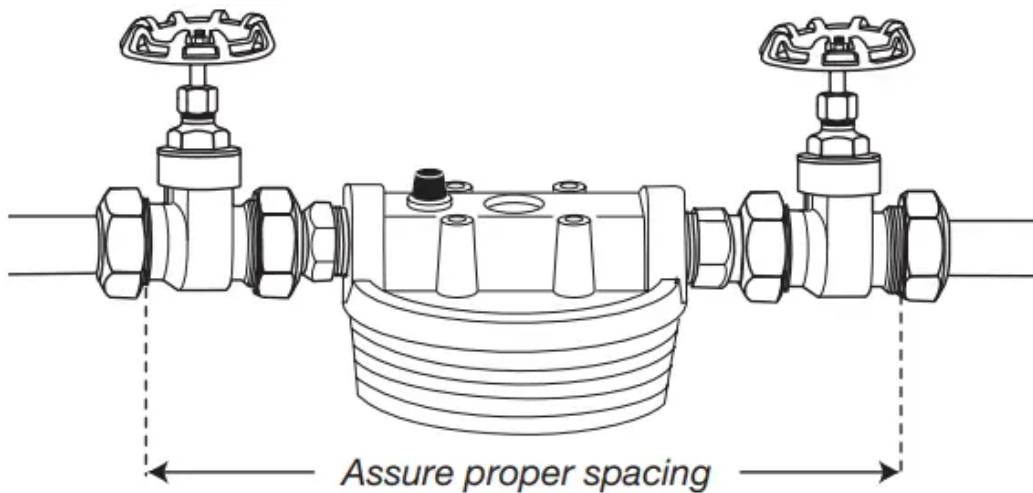
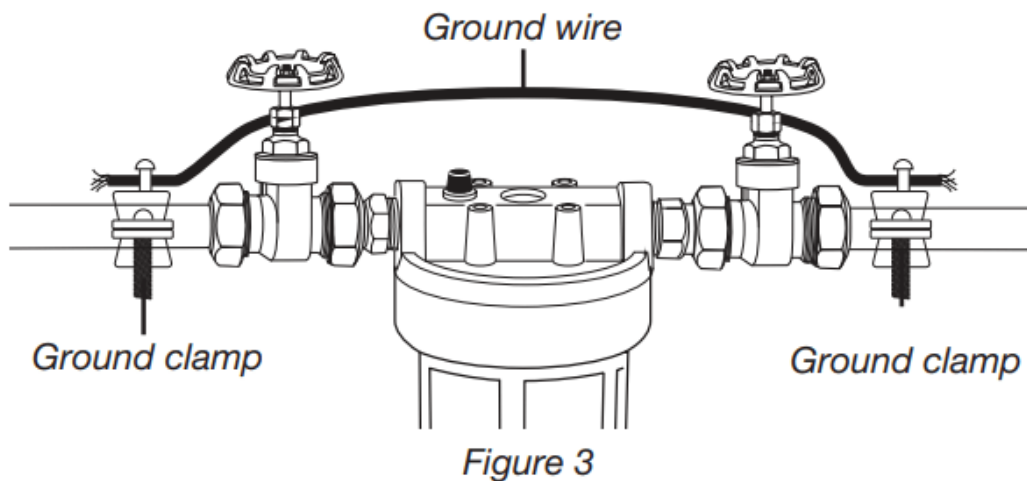


Figure 2

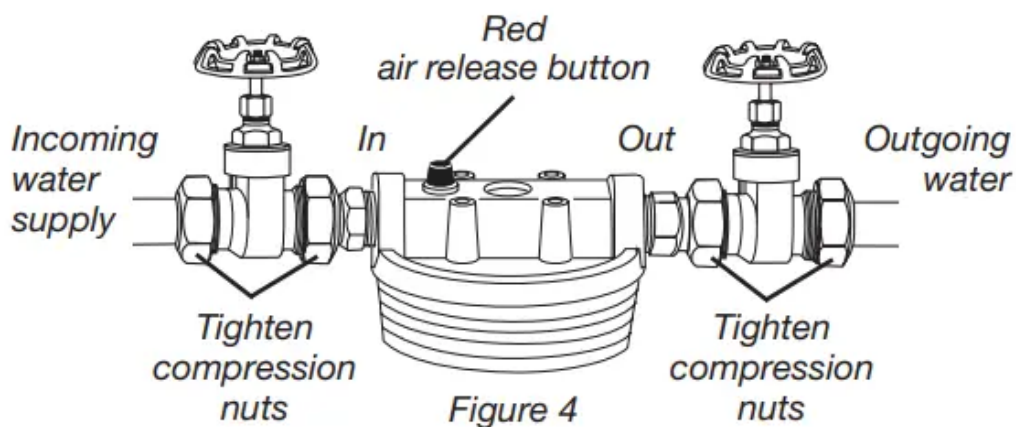
5. Install Whirlpool Grounding Kit WHKF-GRND (see Figure 3) in metal water piping systems.

IMPORTANT: Metal water piping systems are required to be connected to the electrical ground. To maintain the ground connection, obtain kit WHKF-GRND by contacting location where filter head was purchased. Ground Kit Installation:



- a. Install one ground clamp on the incoming metal water pipe section and one on the outgoing metal water pipe section. Be sure that the filter head, fittings and valves are between the two ground clamps.
- b. Connect the ground wire to the two ground clamps, using the wire screw terminal on each grounding clamp. Tighten securely.

6. Cut pipe to length with pipe cutter.
7. Fit filter head and gate shut-off valves onto pipe. Make sure the “IN” port with red air release button is connected to incoming water supply line. Tighten compression nuts on both sides of valves (see Figure 4). (Four locations.)
8. Lubricate housing o-ring with water.



9. Place a filter (purchased separately) into opaque housing. Screw housing with filter into head. Tighten with filter wrench to seal properly.
10. Slowly turn main water supply on while depressing red air release button (on filter head) and check for leaks. Run water with an open faucet for 5 minutes to flush out air.

Filter Replacement

The contaminants or other substances removed or reduced by this water filter are not necessarily in all users' water.

Filter life varies depending on local water conditions and the volume of water used. We recommend that you change your filter as prescribed by the filter documentation, however, it can be replaced earlier if there is a drop in water pressure.

You can use a variety of Whirlpool filters with this housing¹ : WHKF-GD05, WHKF-WHPL, WHKF-WHSW, or WHEF-WHWC.

Do not use with water that is microbiologically unsafe or of unknown quality without adequate disinfection before or after the system.

Filter Cartridge Replacement Instructions

NOTE: Before changing cartridge, turn off water supply. Place a bucket under filter to catch the small amount of water that will run out after housing removal.

1. Close shutoff valve at filter head.
2. Relieve pressure in housing by pushing red vent button.
3. Unscrew housing and remove old cartridges. Wash housing thoroughly with mild soap and water.
4. Insert new cartridge and re-install housing. Be sure cartridge is seated in the housing before tightening onto head.
5. Use filter wrench to fully seat the cartridge. Tighten to make a water tight seal.
6. Open shutoff valve at filter head. If any leaks appear, tighten housing as needed.
7. Flush system for five (5) minutes.

Troubleshooting Guide

Water Leaks at Fittings: Tighten slightly more until leak stops. If Leaks Persist: Shut off water at the house water supply shutoff valve, remove threaded fittings, reapply Teflon® tape in a clockwise direction and screw back onto head assembly.

Accessories

To order accessories, ask for the appropriate part number listed below:

- WHKF-GRND Grounding kit for metallic piping
- WHKF-B6 Bracket for pipe support

Specification

Min./Max. Temperature: 40-100° F

Min./Max. Operating Pressure: 25-100 psi

Warning

This content is compiled from multiple sources and is provided for reference purposes only. It may not be complete or fully applicable to all situations. If you are unable to resolve your issue, please contact the product manufacturer or an authorized service provider for official support.

Document generated by [ManualsFile](#)