

Operating Instructions

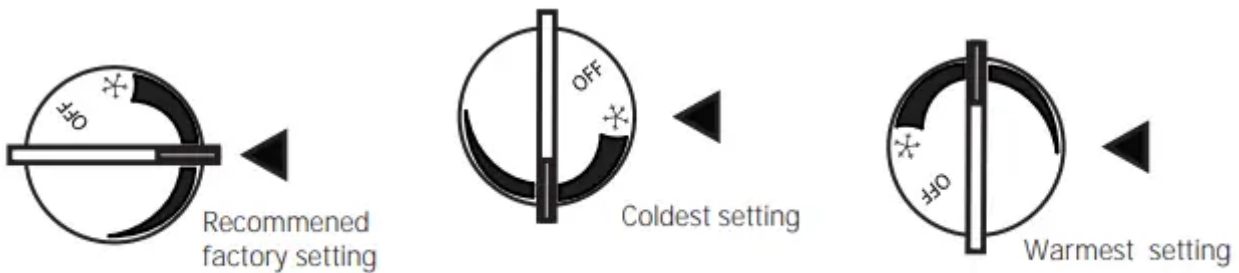
About the temperature control dial.

Turning the dial to OFF stops cooling in both compartments—fresh food and freezer. It does not shut off power to the refrigerator.

Temperature Control Dial (on some models)



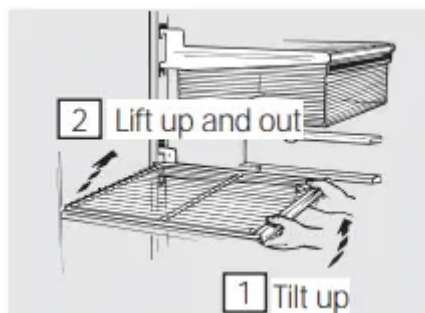
The temperature control dial adjust refrigerator from warmest to coldest. The recommended factory setting is shown in illustration to the left. For colder temperature turn dial clockwise toward snowflake. For warmer temperature turn dial counter clockwise away from snowflake. allow 24 hours for adjustment.



About the fresh food compartment shelves.

Shelf supports at various levels allow you to custom-space your shelves. Not all features are on all models

Half-Width Shelves



One end of the shelf rests on a molded side-wall support; a bracket on the other end hooks into a track on the rear cabinet wall.

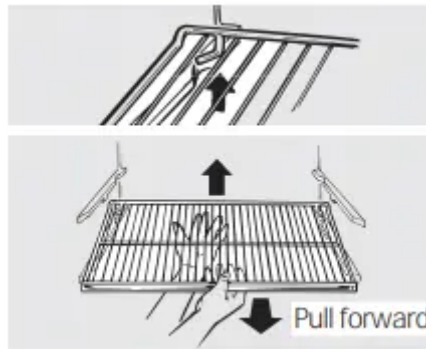
To remove. lift the shelf up at front. then off the support and out of the track.

To replace. select desired shelf height. With shelf front raised slightly. hook the bracket's top lug into the track. then lower the shelf onto the support.

NOTE: The shelf to the right of the track is designed to hook into the right-hand slot; the shelf to the left is designed to hook into the left hand slot.



Full-Width Shelves

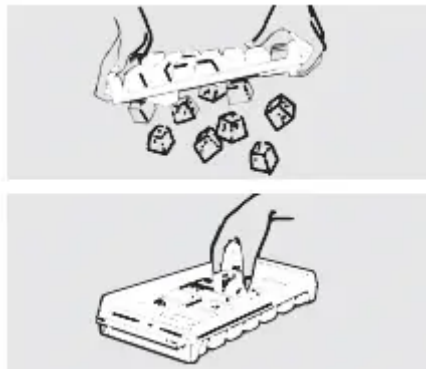


To remove the full-width shelves

Some models have a stationary tempered glass shelf, a spillproof shelf or two steel wire stationary shelves. These shelves can be moved to another place in the fresh food compartment. When placed correctly on the shelf supports, the shelf will stop before coming completely out of the refrigerator and will not tilt when you place food on it or remove food from it.



Ice Trays (on some models)



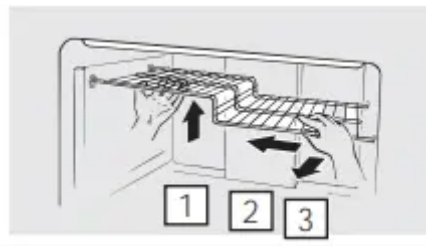
Ice trays are designed to release ice cubes easily. Hold tray upside-down over a container and twist both ends to release cubes.

For only one or two ice cubes, leave the tray right-side up, twist both ends slightly and remove desired number of cubes. Wash ice trays and storage bin in lukewarm water only. Do not put them in an automatic dishwasher.

About the freezer compartment shelves.

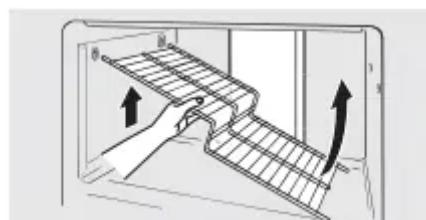
Step Shelf (on some models)

To remove the step shelf:



1. Lift left side of shelf slightly.
2. Move shelf to the left to free its right ends from holes in the cabinet wall.
3. Lower right side of shelf, move shelf to the right and take it out.

To replace the step shelf:

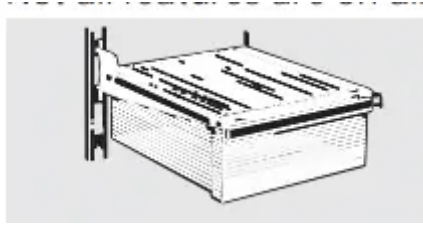


1. With shelf tilted as shown, fit left ends of shelf into holes in cabinet wall.
2. Lift left side of shelf slightly, swing shelf up, fit right ends of shelf into holes in cabinet wall, and lower shelf into place.

About the storage drawers.

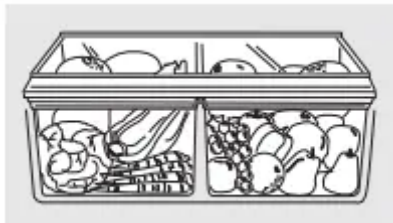
Not all features are on all models.

Snacks Drawer



The snacks drawer can be moved to the most useful location for your family's needs.

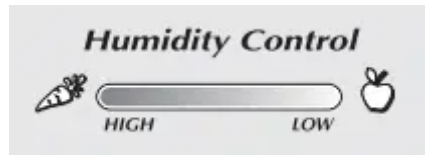
Fruit and Vegetable Drawers



Excess water that may accumulate in the bottom of the drawers should be emptied and the drawers wiped dry

About storage drawer and cover removal.

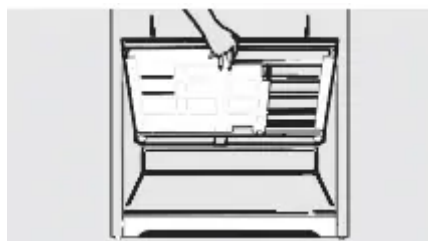
Not all features are on all models



Adjustable Humidity Drawer (on some models)

Slide the control all the way to the HIGH setting to provide high humidity recommended for most vegetables. Slide the control all the way to the LOW setting to provide lower humidity levels recommended for most fruits.

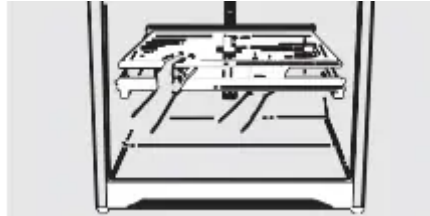
Drawer and Cover Removal



Drawers can be removed easily by grasping the sides and lifting up slightly while pulling drawers past the stop location. To remove the cover, lift it off its supports, pull it forward, tilt it and take it out.

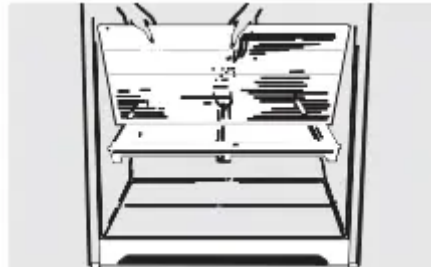
Twin Drawer Shelf

To remove:



1. Remove the drawers.
2. Reach in, push the front of glass cover up, and at the same time, pull it forward as far as it will come. Tilt it and take it out. Avoid cleaning the cold glass cover with hot water because the extreme temperature difference may cause it to break.
3. Remove the drawer frame. (Always remove the glass cover before you take out the drawer frame.)Lift the frame off the supports at each side and back, pull it forward, tilt it and take it out.

To replace:

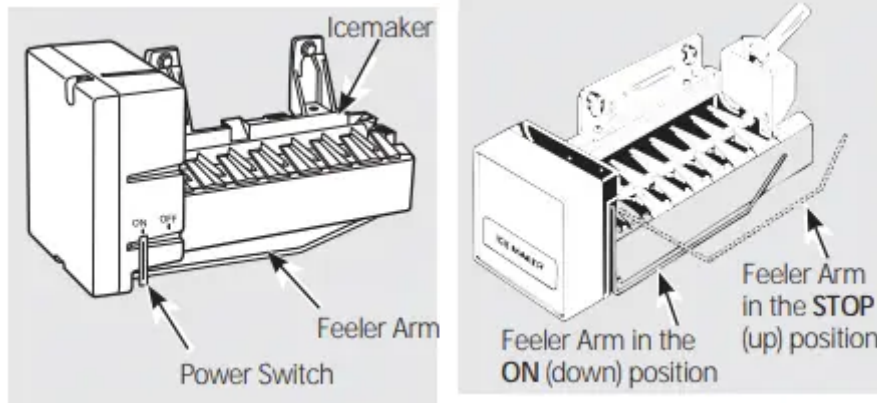


1. Lower the frame until it rests on the supports at each side and back.
2. Replace the glass cover. pushing its rear edge firmly into the rear frame channel and gently lowering the front into place.
3. Replace the drawers.

About the automatic icemaker

A newly-installed refrigerator may take 12–24 hours to begin making ice.

Automatic Icemaker (on some models).



The icemaker will produce approximately 70-100 cubes. in a 24-hour period, depending on the freezer compartment temperature, room temperature, number of door openings and other use conditions.

If the refrigerator is operated before the water connection is made to the icemaker, set the switch OFF or move the feeler arm to the STOP (up) position

When the refrigerator has been connected to the water supply. set the switch ON position or move the feeler arm to the ON (down) position.

The icemaker will fill with water when it cools to 15°F. A newly-installed refrigerator may take 12 to 24 hours to begin making ice cubes.

Once the icemaker starts to make ice. it may take up to 48 hours to fill the bin. depending on the temperature settings and number of door openings.

You will hear a buzzing sound each time the icemaker fills with water.

Throw away the first few batches of ice to allow the water line to clear.

Be sure nothing interferes with the sweep of the feeler arm.

When the bin fills to the level of the feeler arm. the icemaker will stop producing ice.

It is normal for several cubes to be joined together.

If ice is not used frequently. old ice cubes will become cloudy. taste stale. shrink or fuse together.

Icemaker accessory kit:

If your refrigerator did not already come equipped with an automatic icemaker. an icemaker accessory kit is available at extra cost.

Check the back of the refrigerator for the specific icemaker kit needed for your model.



Care and cleaning of the refrigerator.

Cleaning the Outside

The door handles and trim (on some models). Clean with a cloth dampened with soapy water. Dry with a soft cloth.

Keep the outside clean. Wipe with a clean cloth lightly dampened with kitchen appliance wax or mild liquid dish detergent. Dry and polish with a clean, soft cloth. Do not wipe the refrigerator with a soiled dish cloth or wet towel. These may leave a residue that can erode the paint. Do not use scouring pads, powdered cleaners, bleach or cleaners containing either bleach or ammonia because these products can scratch and weaken the paint finish.

The stainless steel doors and door handles (on some models) can be cleaned with a commercially available stainless steel cleaner. Cleaners with oxalic acid such as Bar Keepers Friend Soft Cleanser™ will remove rust, tarnish and small blemishes. Use only a liquid cleanser free of grit and rub in the direction of the brush lines with a damp soft sponge. Do not use appliance wax or polish on the stainless steel.

Cleaning the Inside

To help prevent odors, leave an open box of baking soda in the fresh food and freezer compartments.

Unplug the refrigerator before cleaning.

If this is not practical, wring excess moisture out of sponge or cloth when cleaning around switches, lights or controls.

Use warm water and baking soda solution—about a tablespoon (15 ml) of baking soda to a quart (1 liter) of water.

This both cleans and neutralizes odors. Rinse and wipe dry.

After cleaning the door gaskets, apply a thin layer of petroleum jelly to the door gaskets at the hinge side. This helps keep the gaskets from sticking and bending out of shape.

Avoid cleaning cold glass shelves (on some models) with hot water because the extreme temperature difference may cause them to break. Handle glass shelves carefully. Bumping tempered glass can cause it to shatter.

Do not wash any plastic refrigerator parts in the dishwasher.

Condenser

There is no need for routine condenser cleaning in normal home operating environments. However, in environments that may be particularly dusty or greasy, the condenser should be cleaned periodically for efficient refrigerator operation.

To clean the condenser, turn the temperature control dial to OFF. Sweep away or vacuum up dust. For best results, use a brush specially designed for this purpose. It is available at most appliance parts stores



Moving the Refrigerator

Be careful when moving the refrigerator away from the wall. All types of floor coverings can be damaged, particularly cushioned coverings and those with embossed surfaces.

Turn the leveling legs at each front corner of the refrigerator counterclockwise until the rollers support the refrigerator. Pull the refrigerator straight out and return it to position by pushing it straight in. Moving the refrigerator in a side direction may result in damage to the floor covering or refrigerator.

When pushing the refrigerator back, make sure you don't roll over the power cord or icemaker supply line (on some models).

After rolling the refrigerator back into place, turn the legs clockwise until the legs again bear the weight of the refrigerator.

Light Bulb Replacement

To replace a burned-out bulb, unplug the refrigerator from its electrical outlet, unscrew the bulb when cool and replace it with an appliance bulb of the same or lower wattage.

Turning the control to the OFF position does not remove power to the light circuit.

Preparing for Vacation

For long vacations or absences, remove food and unplug the refrigerator. Move the temperature control dial to the

OFF position, and clean the interior with a baking soda solution of one tablespoon (15 ml) of baking soda to one quart (1 liter) of water. Leave the doors open.

Move the feeler arm to the STOP (up) position, or move the switch to the OFF position on the power switch model, and shut off the water supply to the refrigerator.

If the temperature can drop below freezing, have a qualified servicer drain the water supply system (on some models) to prevent serious property damage due to flooding.

Preparing to Move

Secure all loose items such as grille, shelves and drawers by taping them securely in place to prevent damage. Be sure the refrigerator stays in an upright position during moving.

Installation Instructions

ROLLERS AND LEVELING LEGS

Leveling legs near each front corner of the refrigerator are adjustable. They firmly position the refrigerator and prevent it from moving when the doors are opened.

Leveling legs should be set so the front of the refrigerator is raised just enough that the doors close easily when opened about halfway.

Turn the leveling legs clockwise to raise the refrigerator, counterclockwise to lower it.

Rollers next to the leveling legs allow you to move the refrigerator away from the wall for cleaning.

Turn the legs counterclockwise until the weight of the refrigerator is transferred from them to the rollers. After rolling the refrigerator back into place, turn the legs clockwise until the legs again bear the weight of the refrigerator.



INSTALLING THE WATER LINE

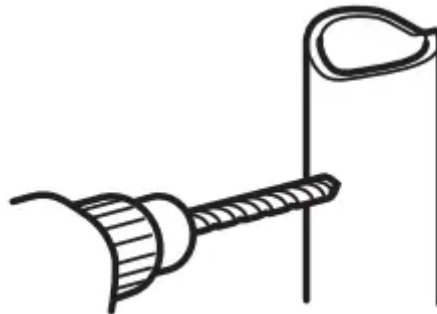
1 SHUT OFF THE MAIN WATER SUPPLY AND UNPLUG REFRIGERATOR

Turn on the nearest faucet (counterclockwise) long enough to clear the line of water.

2 DRILL THE HOLE FOR THE VALVE

Choose a location for the valve that is easily accessible. It is best to connect into the side of a vertical water pipe. When it is necessary to connect into a horizontal water pipe, make the connection to the top or side, rather than at the bottom, to avoid drawing off any sediment from the water pipe.

Drill a 1/4" hole in the water pipe (even if using a selfpiercing valve), using a sharp bit. Remove any burrs resulting from drilling the hole in the pipe. Take care not to allow water to drain into the drill. Failure to drill a 1/4" hole may result in reduced ice production or smaller cubes

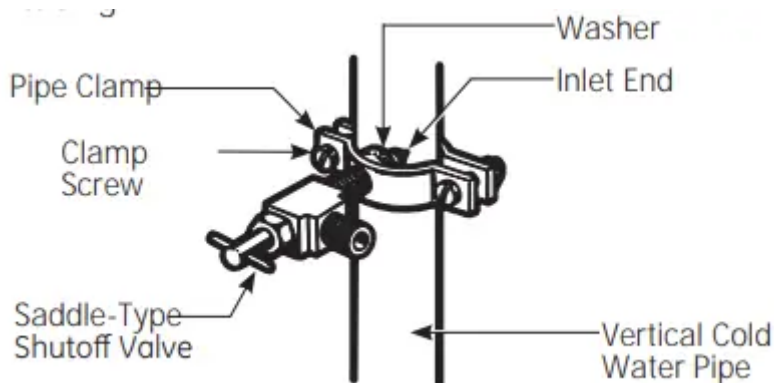


3 FASTEN THE SHUTOFF VALVE

Fasten the shutoff valve to the cold water pipe with the pipe clamp.

Tighten the clamp screws until the sealing washer begins to swell.

NOTE: Do not overtighten or you may crush the tubing.



NOTE: Commonwealth of Massachusetts Plumbing Codes 248CMR shall be adhered to. Saddle valves are illegal and use is not permitted in Massachusetts. Consult with your licensed plumber.

4 ROUTE THE TUBING

Route the tubing between the cold water line and the refrigerator.

Route the tubing through a hole drilled in the wall or floor (behind the refrigerator or adjacent base cabinet) as close to the wall as possible.

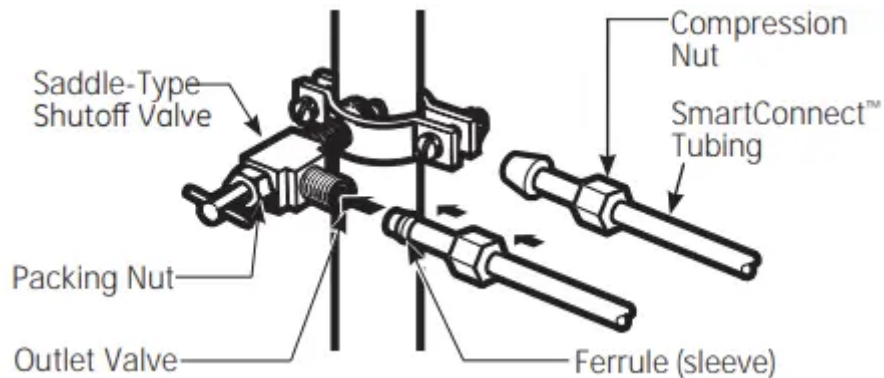
NOTE: Be sure there is sufficient extra tubing (about 8 feet [244 cm] coiled into 3 turns of about 10" [25 cm] diameter) to allow the refrigerator to move out from the wall after installation.

5 CONNECT THE TUBING TO THE VALVE

Place the compression nut and ferrule (sleeve) for copper tubing onto the end of the tubing and connect it to the shutoff valve.

Make sure the tubing is fully inserted into the valve. Tighten the compression nut securely.

For plastic tubing from a GE SmartConnect Refrigerator Tubing kit, insert the molded end of the tubing into the shutoff valve and tighten compression nut until it is hand tight. then tighten one additional turn with a wrench. Overtightening may cause leaks.



NOTE: Commonwealth of Massachusetts Plumbing Codes 248CMR shall be adhered to. Saddle valves are illegal and use is not permitted in Massachusetts. Consult with your licensed plumber.

6 FLUSH OUT THE TUBING

Turn the main water supply on (counterclockwise) and flush out the tubing until the water is clear. Shut the water off at the water valve after about one quart (1 liter) of water has been flushed through the tubing.

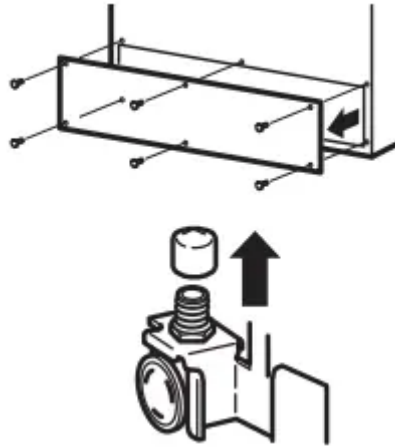


7 CONNECT THE TUBING TO THE REFRIGERATOR

NOTES:

- Before making the connection to the refrigerator, be sure the refrigerator power cord is not plugged into the wall outlet.
- We recommend installing a water filter if your water supply has sand or particles that could clog the screen of the refrigerator's water valve. Install it in the water line near the refrigerator. If using GE SmartConnect Refrigerator Tubing kit, you will need an additional tube (WX08X10002) to connect the filter. Do not cut plastic tube to install filter.

Remove the access cover.



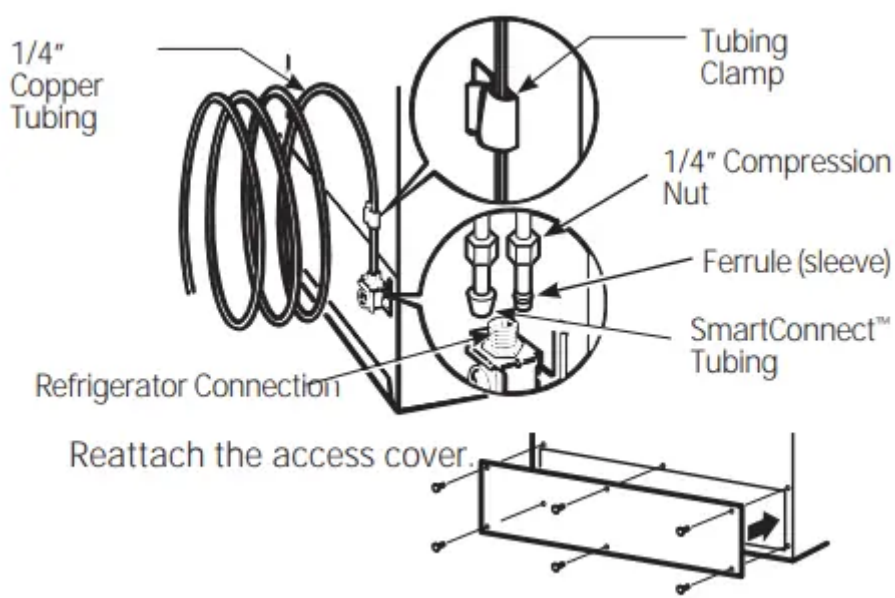
Remove the plastic flexible cap from the water valve (refrigerator connection).

Place the compression nut and ferrule (sleeve) onto the end of the tubing as shown. On GE SmartConnect

Refrigerator Tubing kit, the nuts are already assembled to the tubing.

Insert the end of the tubing into the water valve connection as far as possible. While holding the tubing, tighten the fitting.

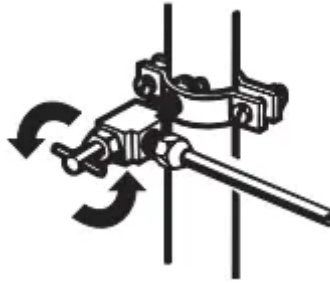
For plastic tubing from a GE SmartConnect Refrigerator Tubing kit, insert the molded end of the tubing into the shutoff valve and tighten compression nut until it is hand tight, then tighten one additional turn with a wrench. Overtightening may cause leaks. Fasten the tubing into the clamp provided to hold it in a vertical position. You may need to pry open the clamp.



8 TURN THE WATER ON AT THE SHUTOFF VALVE

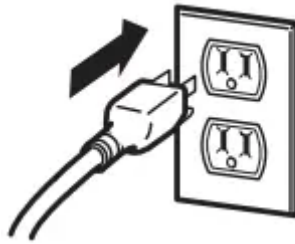
Tighten any connections that leak.



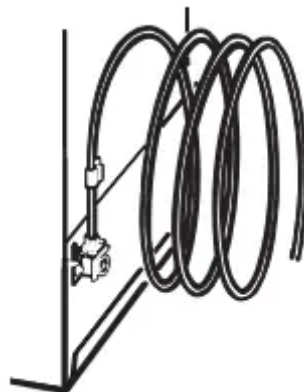


9 INSTALLING THE REFRIGERATOR

Plug in the refrigerator.

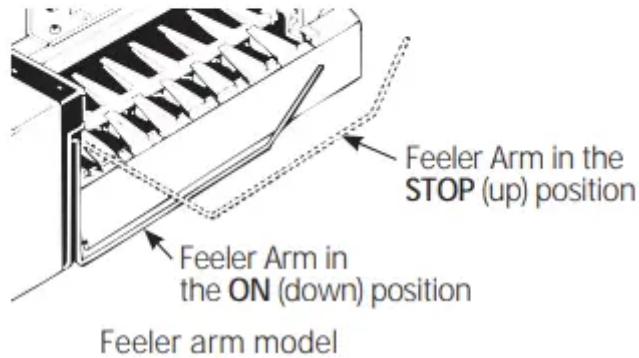
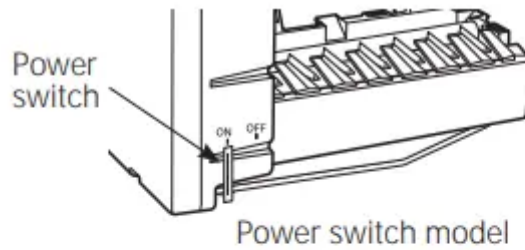


Arrange the coil of tubing so that it does not vibrate against the back of the refrigerator or against the wall. Push the refrigerator back to the wall.



10 START THE ICEMAKER

On slide switch models, set the icemaker power switch to the ON position. On feeler arm models, move the feeler arm to the ON (down) position. The icemaker will not begin to operate until it reaches its operating temperature of 15°F (-9°C) or below. It will then begin operation automatically.



NOTE: In lower water pressure conditions, the water valve may turn on up to 3 times to deliver enough water to the icemaker.

REVERSING THE DOOR SWING

IMPORTANT NOTES

When reversing the door swing:

- + Read the instructions all the way through before starting.
- + Handle parts carefully to avoid scratching paint.
- + Set screws down by their related parts to avoid using them in the wrong places.
- + Provide a non-scratching work surface for the doors.

IMPORTANT: Once you begin, do not move the cabinet until door-swing reversal is completed.

These instructions are for changing the hinges from the right side to the left side—if you ever want to change the hinges back to the right side, follow these same instructions and reverse all references to left and right.

TOOLS REQUIRED



Phillips screwdriver



Masking tape



5/16" hex-head
socket driver



T20 or T25 Torxdriver
(needed for some
models)



Putty knife or thin-
blade screwdriver



5/16" open-end
wrench

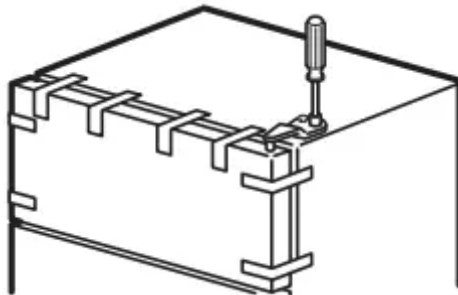
1 BEFORE YOU START

1. Unplug the refrigerator from its electrical outlet.
2. Empty all door shelves, including the dairy compartment.

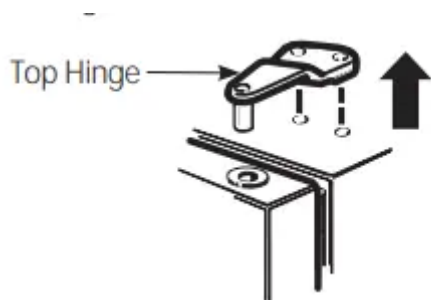
CAUTION: Do not let either door drop to the floor. To do so could damage the door stop

2 REMOVE THE FREEZER DOOR

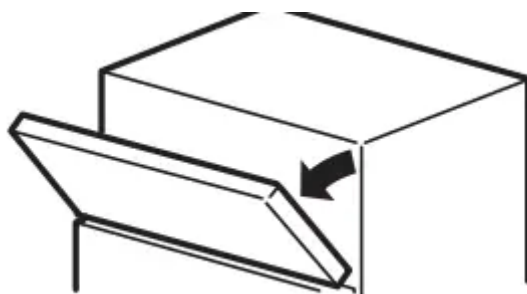
1. Tape the door shut with masking tape.
2. With a 5/16" hex-head socket driver, remove the screws that hold the top hinge to the cabinet.



3. Lift the hinge straight up to free the hinge pin from the socket in the top of the door and set it aside, along with its screws.

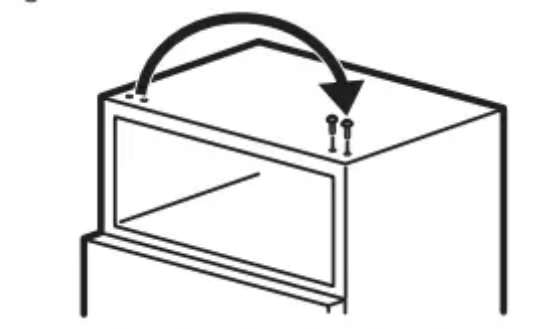


4. Remove the tape and tilt the door away from the cabinet. Lift it off the center hinge pin.



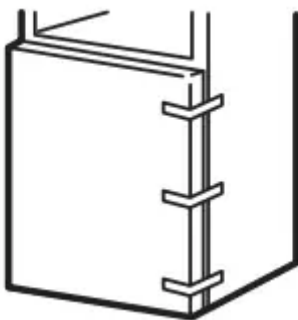
5. Set the door on a non-scratching surface with the outside up.

6. Transfer the 2 screws from the opposite side of the cabinet to the screw holes vacated by the top hinge removal.



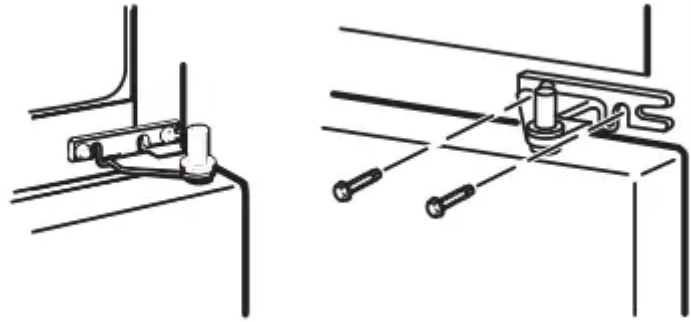
3 REMOVE THE FRESH FOOD DOOR

1. Tape the door shut with masking tape.



2. Using a 5/16" hex-head socket screwdriver and a 5/16" open-end wrench, remove the two screws holding the center hinge to the cabinet. Lift the center hinge to free its pin from the

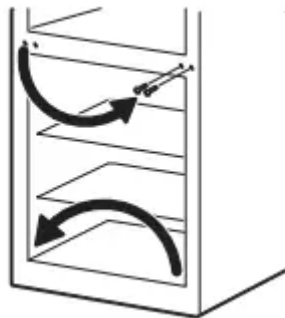
socket in the top of the door, and set hinge and screws aside. Be careful not to lose the center hinge spacer and washer.



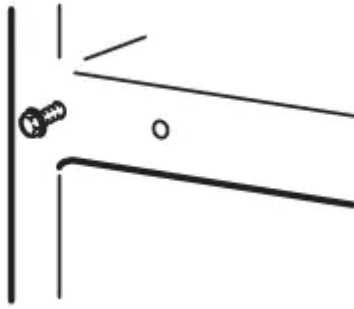
3. Remove the tape and tilt the door away from the cabinet. Lift the door from the pin in the bottom hinge bracket. (If the plastic washer sticks to the door bottom, put it back on the hinge.)



4. Set the door outside-up on a non-scratching surface.
5. Transfer the two screws from the opposite side of the cabinet to the screw holes vacated by the center hinge removal.
6. Transfer the washer (if your model has one) to the opposite side.

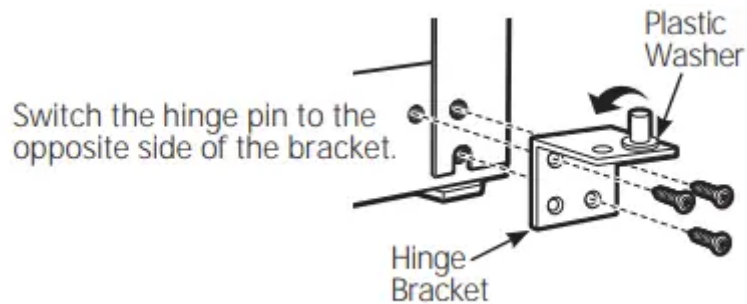


7. Take one of the screws removed in step 2 and start it in the outermost screw hole on the opposite side. Do not drive it all the way down—leave enough space under the screw head for thickness of the bracket.

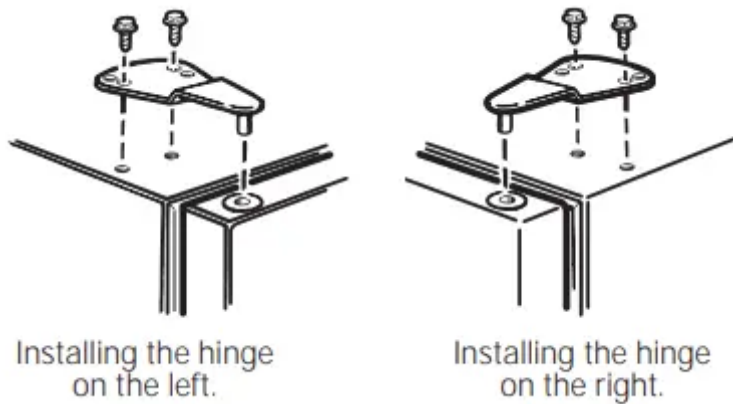


4 REVERSING THE HARDWARE

1. Move the bottom hinge bracket and plastic washer from the right side to the left side.



- 2 Interchange hinge and screws at top right with screws at top left of cabinet. Do not tighten screws on hinge side at this time.



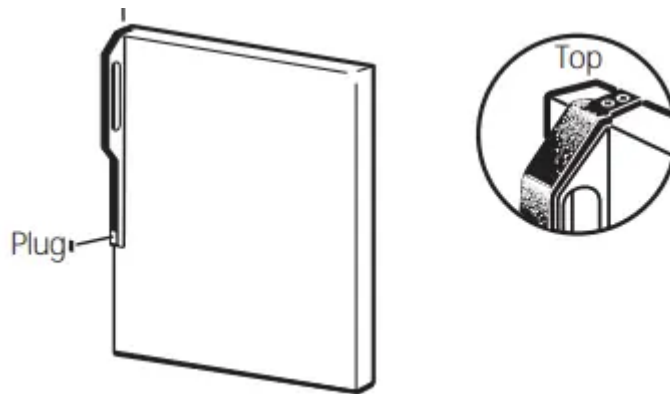
NOTES:

- Some hinges have four holes. Which holes you use for installing the hinge depends on which side you install the hinge.
- The outer edge of the hinge should be parallel to the edge of the case for correct installation.

5 REVERSING THE DOOR HANDLES

Transfer fresh food door handle

- 1 Remove the handle plug using a tape-tipped putty knife under the edge, and remove the screw underneath. Remove the two screws holding the handle to the top of the door.

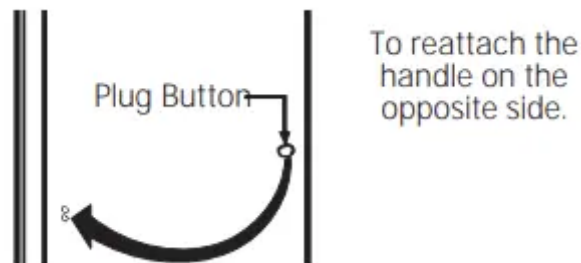


2 Remove the handle

3 Remove plug button from the top hinge hole on the left side of the door and insert it into the hole on the opposite side that was vacated by removal of the top hinge.

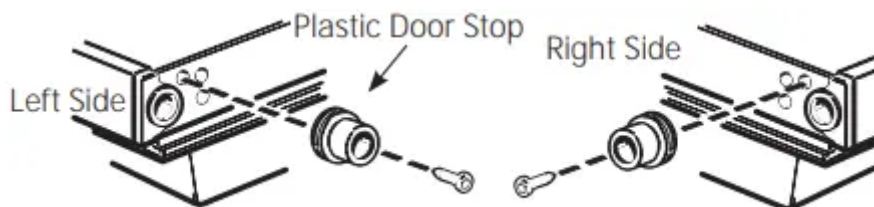


4 Pull the plug button from the front of the door and transfer it to the opposite side.



Transfer door stop

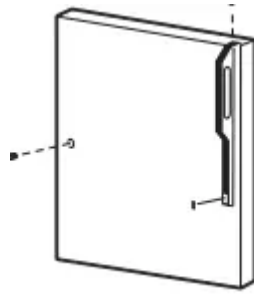
1 Move the plastic door stop and screws from the right side to the left side.



Reinstall fresh food door handle

1 Attach the handle to the right side of the door with screws at the top and under the handle plug.

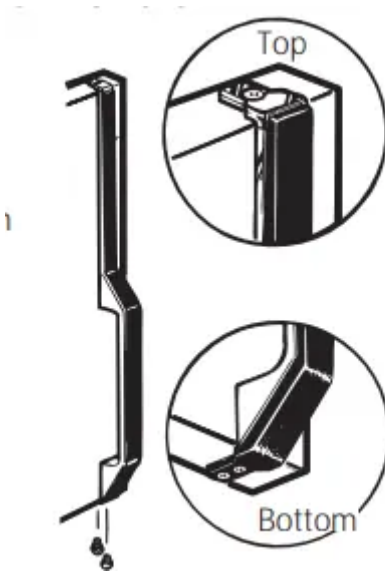
2 Reinstall the handle plug.



Transfer Freezer Door Handle

1 Remove the screw holding the handle to the top of the door and the two screws holding the handle to the bottom of the door.

2 Remove the handle.

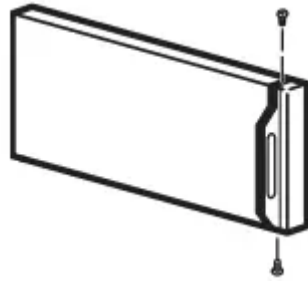


3 Remove the screw from the right top edge of the door and insert it into the handle screw hole on the left side.



4 Transfer the door stop as shown in preceding section 5.2.

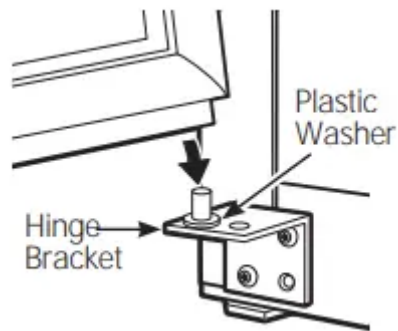
5 Attach the handle to the right edge of the door with screws at top and bottom, using bottom holes vacated by removal of the door stop screws.



6 RE-HANGING THE DOORS

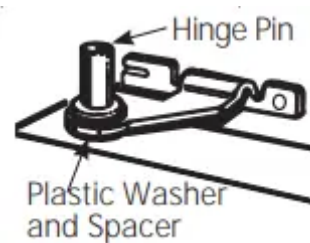
Re-hang the fresh food door

1 Lower the fresh food door onto the bottom hinge pin. Be sure the washer is in place on the pin.

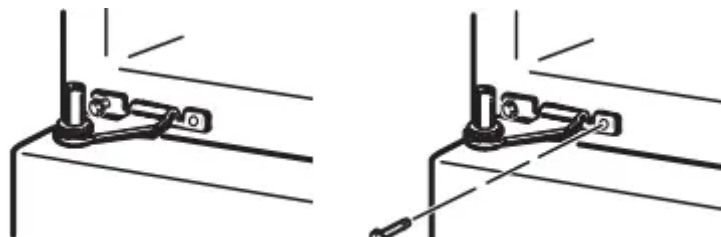


2 Insert the pin on the center hinge into the socket in the top of the door. Place the spacer, then the washer, on the hinge pin.

NOTE: The center hinge must be turned over as shown when mounted on the left side.

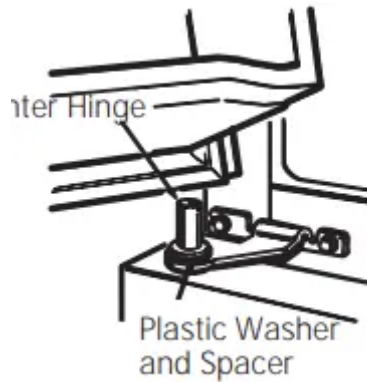


3 Tilt the door toward the cabinet. As the door is brought into position, slide the hinge under the head of the screw which earlier had been partly driven into the outermost hole. Insert the remaining screw, then tighten both screws securely

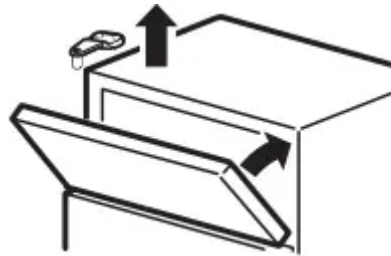


Re-hang the freezer door

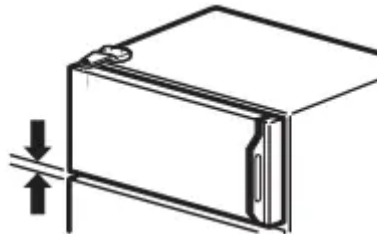
1 Lower the freezer door onto the center hinge pin. Be sure the washer and spacer are in place on the pin.



2 Tilt the door toward the cabinet, lifting the top hinge so the pin fits into the socket on the top of the door.



3. Make sure the door is slightly above the top of the cabinet and the gap between the doors is even across the front. Tighten the top hinge screws. Do not overtighten these screws—tighten them until they are just snug, then turn them another one-half turn.



TROUBLESHOOTING TIPS

Normal operating sounds.

Do you hear what I hear? These sounds are normal.

HUMMM...
WHOOSH...

- The new high efficiency compressor may run faster and longer than your old refrigerator and you may hear a high-pitched hum or pulsating sound while it is operating.

- You may hear a whooshing sound when the doors close. This is due to pressure equalizing within the refrigerator.



- You may hear the fans spinning at high speeds. This happens when the refrigerator is first plugged in, when the doors are opened frequently or when a large amount of food is added to the refrigerator or freezer compartments. The fans are helping to maintain the correct temperatures.

CLICKS, POPS, CRACKS and CHIRPS

- You may hear cracking or popping sounds when the refrigerator is first plugged in. This happens as the refrigerator cools to the correct temperature.
- The compressor may cause a clicking or chirping sound when attempting to restart (this could take up to 5 minutes).
- Expansion and contraction of cooling coils during and after defrost can cause a cracking or popping sound.
- On models with an icemaker, after an icemaking cycle, you may hear the ice cubes dropping into the ice bucket.

WATER SOUNDS



- The flow of refrigerant through the freezer cooling coils may make a gurgling noise like boiling water.
- Water dropping on the defrost heater can cause a sizzling, popping or buzzing sound during the defrost cycle.
- A water dripping noise may occur during the defrost cycle as ice melts from the evaporator and flows into the drain pan.
- Closing the door may cause a gurgling sound due to pressure equalization.

For additional information on normal icemaker operating sounds, see the About the automatic icemaker section.

Before you call for service...

Refrigerator does not operate

Refrigerator in defrost cycle.

- Wait about 30 minutes for defrost cycle to end.

Temperature control dial in OFF position.

- Move the temperature control dial to a temperature setting.

Refrigerator is unplugged.

- Push the plug completely into the outlet.

The fuse is blown/circuit breaker is tripped.

- Replace fuse or reset the breaker.

Vibration or rattling (slight vibration is normal)

Roller screws or leveling legs need adjusting.

- See Rollers and Leveling Legs.

Fresh food or freezer compartment too warm

Temperature control dial not set cold enough.

- See About the temperature control dial.

Warm weather or frequent door openings.

- Set the temperature control dial one step colder. See About the temperature control dial.

Door left open.

- Check to see if package is holding door open.

Package blocking air duct in freezer compartment.

- Check to see if package is blocking air duct in freezer compartment.

Motor operates for long periods or cycles on and off frequently. (Modern refrigerators with more storage space and a larger space and a larger freezer require more operating time. They start and stop often to maintain even temperatures.)

Normal when refrigerator is first plugged in.

- Wait 24 hours for the refrigerator to completely cool down.

Often occurs when large amounts of food are placed in refrigerator.

- This is normal.

Door left open.

- Check to see if package is holding door open.

Hot weather or frequent door openings.

- This is normal.

Temperature control dial set at the coldest setting.

- See About the temperature control dial.

Grille and condenser need cleaning.

- See Care and cleaning.

Frost or ice crystals on frozen food (frost within package (frost within package is normal))

Door left open.

- Check to see if package is holding door open.

Too frequent or too long door openings.

Automatic icemaker does not work (on some models)

Icemaker is not on.

- Move the feeler arm to the ON (down) position, or on the power switch model, move the switch to the ON position

Water supply turned off or not connected.

- See Installing the water line.

Freezer compartment too warm.

- Wait 24 hours for the refrigerator to completely cool down.

Piled up cubes in the storage bin cause the icemaker to shut off

- Level cubes by hand.

Frequent “buzzing” sound

Icemaker is on but the water supply to the refrigerator has not been connected.

- Move the feeler arm to the STOP (up) position or move the power switch to the OFF position. Keeping it on will damage the water valve.

Cubes too small

Water shutoff valve connecting refrigerator to water line may be clogged.

- Call the plumber to clear the valve.

Slow ice cube freezing

Door left open.

- Check to see if package is holding door open.

Temperature control dial not set cold enough.

- See About the temperature control dial.

Ice cubes have odor/taste

Ice storage bin needs cleaning.

- Empty and wash bin. Discard old cubes.

Food transmitting odor/taste to ice cubes.

- Wrap foods well.

Interior of refrigerator needs cleaning.

- See Care and cleaning.

Moisture forms on cabinet surface between the doors

Not unusual during periods of high humidity.

- Wipe surface dry and reset temperature control dial one setting colder.

Moisture collects inside (in humid weather, air carries moisture into refrigerator when doors are opened)

Too frequent or too long door openings.

Refrigerator has odor

Foods transmitting odor to refrigerator.

- Foods with strong odors should be tightly wrapped.
- Keep an open box of baking soda in the refrigerator; replace every three months.

Interior needs cleaning.

- See Care and cleaning.

Warning

This content is compiled from multiple sources and is provided for reference purposes only. It may not be complete or fully applicable to all situations. If you are unable to resolve your issue, please contact the product manufacturer or an authorized service provider for official support.