

CARE AND CLEANING

Door:

To remove all trace of dirt, regularly clean both sides of the door, the door seals and sealing surfaces with a soft, damp cloth. Do not use harsh abrasive cleaners or sharp metal scrapers to clean the oven door glass since they can scratch the surface, which may result in shattering of the glass.

Oven interior:

For cleaning, wipe any splatters or spills with a soft damp cloth or sponge after each use while the oven is still warm. For heavier spills, use a mild soap and wipe several times with a damp cloth until all residues are removed. Do not remove the waveguide cover. Make sure that mild soap or water does not penetrate the small vents in the walls which may cause damage to the oven.

Do not use spray type cleaners on the oven interior. Clean the waveguide cover, the oven cavity, the turntable and turntable support after use. These must be dry and free from grease. Built-up grease may overheat and begin to smoke or catch fire.

Oven exterior:

The outside of your oven can be cleaned easily with mild soap and water. Make sure the soap is wiped off with a moist cloth, and dry the exterior with a soft towel.

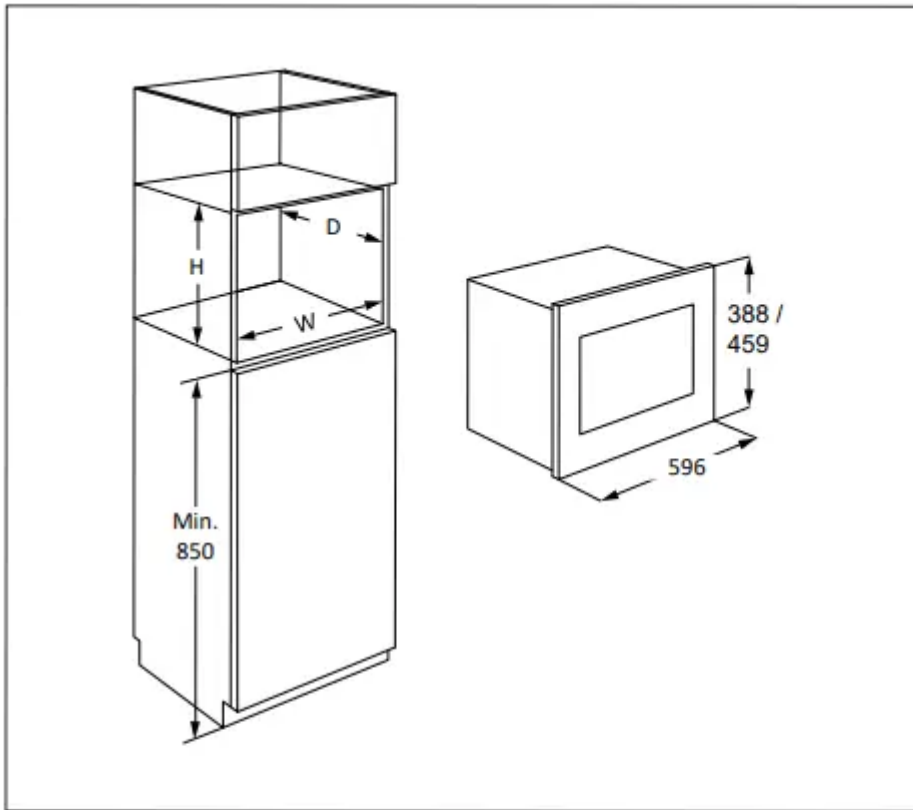
Control panel:

Open the door before cleaning to de-activate the control panel. Care should be taken when cleaning the control panel. Using a cloth dampened with water only, gently wipe the panel until it becomes clean. Avoid using excessive amounts of water. Do not use any sort of chemical or abrasive cleaner.

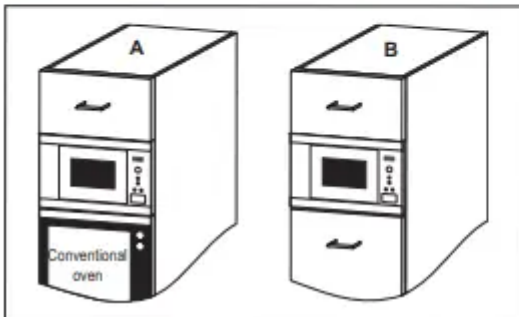
Turntable and turntable support:

Remove the turntable and turntable support from the oven. Wash the turntable and turntable support in mild soapy water. Dry with a soft cloth. Both the turntable and the turntable support are dishwasher safe.

INSTALLATION



The microwave can be fitted in position A or B:

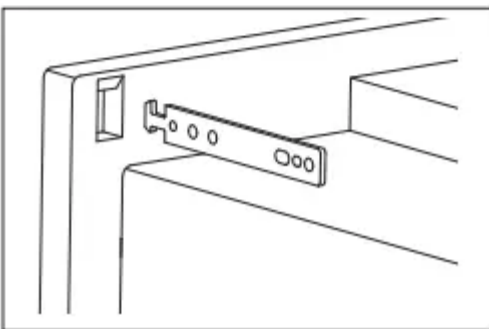
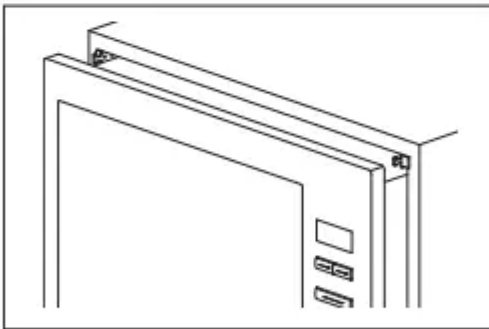
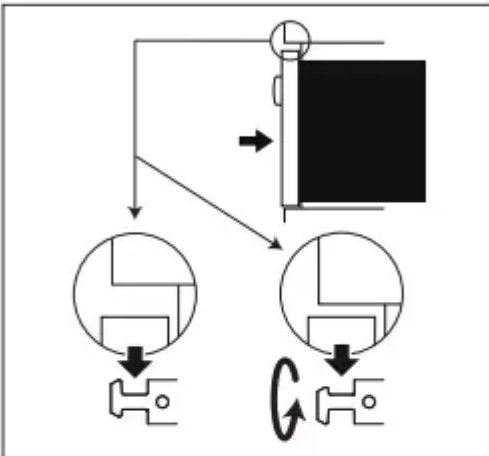
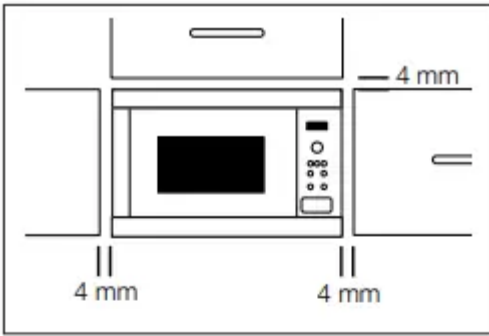


Position	Niche size		
	W	D	H
A	562	550	450
B	562	500	450

Measurements in (mm)

INSTALLING THE APPLIANCE

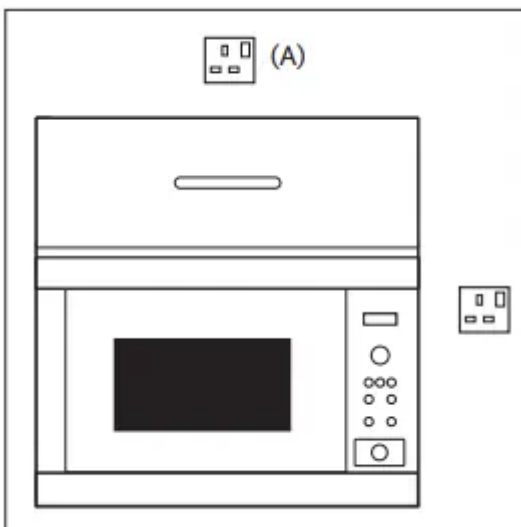
1. Remove all packaging and check carefully for any signs of damage.
2. Fit the fixing hooks to the kitchen cupboard using the instruction sheet and template supplied.
3. Fit the appliance into the kitchen cupboard slowly, and without force. The appliance should be lifted onto the fixing hooks and then lowered into place. In the case of interference during fitting, this hook is reversible. The front frame of the oven should seal against the front opening of the cupboard.
4. Ensure the appliance is stable and not leaning. Ensure that a 4 mm gap is kept between the cupboard door above and the top of the frame (see diagram).



CONNECTING THE APPLIANCE TO THE POWER SUPPLY

- The electrical outlet should be readily accessible so that the unit can be unplugged easily in an emergency. Or it should be possible to isolate the oven from the supply by incorporating a switch in the fixed wiring in accordance with the wiring rules.
- The power supply cord may only be replaced by an electrician.

- If the supply cord is damaged it must be replaced by the manufacturer, its service agent or similarly qualified persons in order to avoid a hazard.
- The socket should not be positioned behind the cupboard.
- The best position is above the cupboard, see (A).
- Connect the appliance to a single phase 220-240 V/50 Hz alternating current via a correctly rated earth socket.
- If the appliance is to be operated in a non European country, the supply voltage, current type and frequency of the appliance indicated on the rating plate must correspond with the specification of your power supply. The rating plate can be found on the inside face of the control panel.
- Before installing, tie a piece of string to the power supply cord to facilitate connection to point (A) when the appliance is being installed.
- When inserting the appliance into the high sided cupboard, DO NOT crush the power supply cord.
- Do not immerse the power supply cord or plug in water or any other liquid.
- Do not allow the power supply cord to run over any hot or sharp surfaces, such as the hot air vent area at the top rear of the oven.



ADDITIONAL ADVICE

Do not use the microwave oven to heat oil for deep frying. The temperature cannot be controlled and the oil may catch fire. To make popcorn, only use special microwave popcorn makers.

Individuals with PACEMAKERS should check with their doctor or the manufacturer of the pacemaker for precautions regarding microwave ovens.

Never spill or insert any objects into the door lock openings or ventilation openings. In the event of a spill, turn off and unplug the oven immediately and call an authorised ELECTROLUX service agent.

Never modify the oven in any way.

Only use the turntable and the turntable support designed for this oven. Do not operate the oven without the turntable.

To prevent the turntable from breaking:

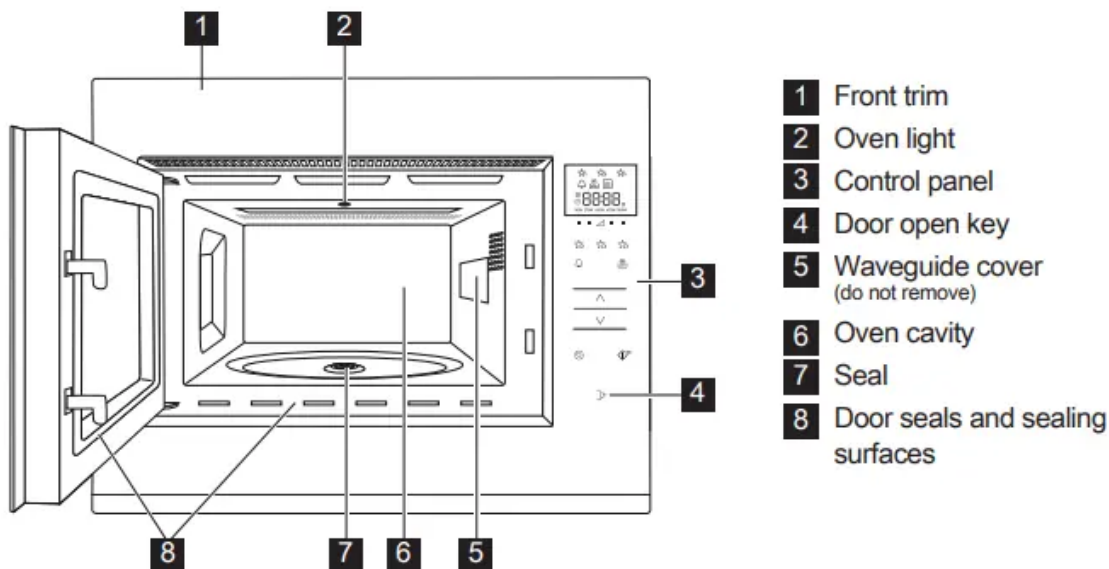
- Before cleaning the turntable with water, leave the turntable to cool.
- Do not put hot foods or hot utensils on a cold turntable.
- Do not put cold foods or cold utensils on a hot turntable.

Neither the manufacturer nor the dealer can accept any liability for damage to the oven or personal injury resulting from failure to observe the correct electrical connection procedure. Water vapour or drops may occasionally form on the oven walls or around the door seals and sealing surfaces. This is a normal occurrence and is not an indication of microwave leakage or a malfunction.

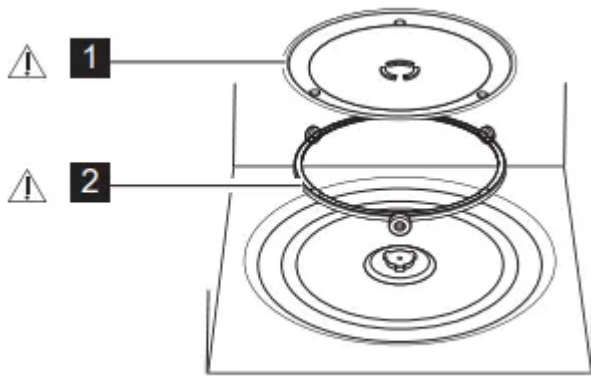
Concerning the lamp(s) inside this product and spare part lamps sold separately: These lamps are intended to withstand extreme physical conditions in household appliances, such as temperature, vibration, humidity, or are intended to signal information about the operational status of the appliance. They are not intended to be used in other applications and are not suitable for household room illumination.

PRODUCT DESCRIPTION

MICROWAVE OVEN



ACCESSORIES



Check to make sure the following accessories are provided:

1. Turntable
2. Turntable support

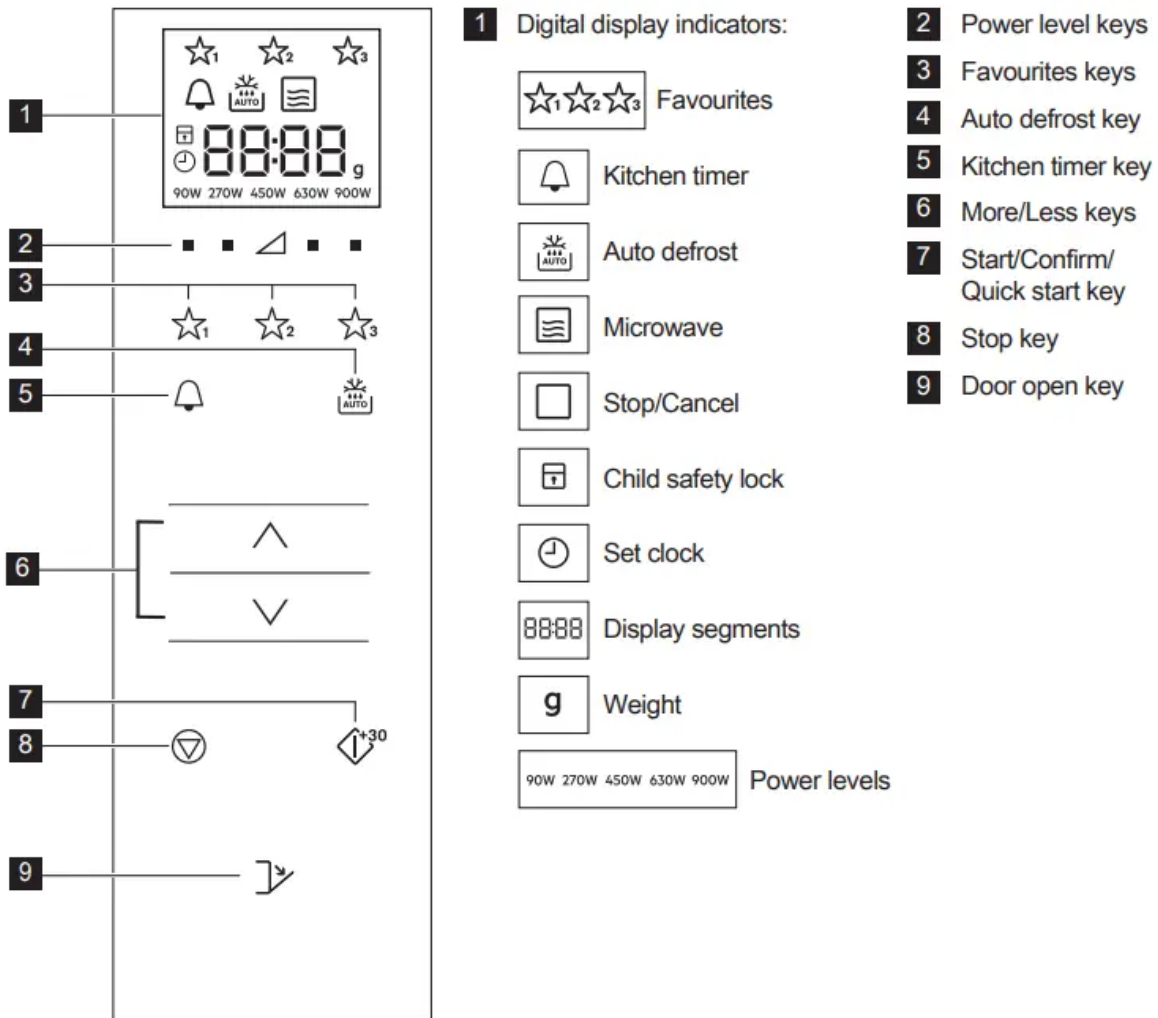
Place the turntable support on the floor of the cavity.

Then place the turntable on the turntable support.

To avoid turntable damage, ensure dishes or containers are lifted clear of the turntable rim when removing them from the oven.

When you order accessories, please mention two items: part name and mod

CONTROL PANEL



BEFORE FIRST USE

PLUG IN

When the oven is plugged in for the first time you have the option of setting the clock. The oven has a 24hr clock.

1. The oven will beep and all of the display icons will be switched on for half a second. Press the MORE/LESS keys until 'on' or 'off' is displayed.

2a. To turn the clock off, press the MORE/LESS keys until 'off' is displayed then press the START key. The oven is ready to use.

If you have turned the clock off and want to turn it back on, press the KITCHEN TIMER key twice and follow 2b.

2b. To turn the clock on, press the MORE/LESS keys until 'on' is displayed then press the START key.

Example: To set the clock to 18:45.

1. Press the MORE/LESS keys to adjust the hour.

2. Press the START key to confirm.
3. Press the MORE/LESS keys to adjust the minutes.
4. Press the START key to confirm.

When the clock is set, the time of day will not be shown in the display.

STANDBY (ECONOMY MODE)

The oven will automatically enter standby mode if it is not used within a 5 min period.

Example: If the clock has not been set: The display will switch off. Open the door or press any key to exit standby mode.

Example: If the clock has been set: After the 5 minute period, the time will be displayed.

ADJUSTING THE CLOCK WHEN SET

You can adjust the clock after the time has been set.

Example: To change from 18.45 to 19.50.

1. Press the KITCHEN TIMER key twice.
2. Press the START key.
3. Press the MORE/LESS keys until '19' is displayed.
4. Press the START key.
5. Press the MORE/LESS keys until '50' is displayed.
6. Press the START key

TO CANCEL THE CLOCK AND SET STANDBY (ECONOMY MODE)

1. Press the KITCHEN TIMER key twice.
2. Press the MORE/LESS keys until 'oFF' is displayed.
3. Press the START key to confirm.

CHILD SAFETY LOCK

The oven has a safety feature which prevents the accidental running of the oven by a child. When the lock has been set, no part of the microwave will operate until the lock feature has been turned off.

Switching the lock on or off is only possible when the oven is not running.

Example: To switch the lock on. Press and hold the STOP key until the 'child lock' symbol switches on.

Example: To switch the lock off. Press and hold the STOP key until the 'child lock' symbol switches off.

OPERATION

MICROWAVE COOKING

Example: To heat soup for 2 minutes and 30 seconds on 630 W microwave power.

1. Press the POWER LEVEL key to the right of the triangle until '630 W' is displayed.
2. Press the MORE/LESS keys to enter the time.
3. Press the START key.

In microwave cooking mode, you can adjust the power level of the oven by pressing the key directly below the required setting.

You can set the power level when the oven is running by pressing and holding the required POWER LEVEL key until the new power setting is highlighted on the display. Power levels that are too high or cooking times that are too long may overheat foods resulting in a fire.

If 900 W is selected then the maximum microwave time that can be input is 15 minutes.

If the oven runs in any mode for 3 minutes or longer, the fan will stay on for 2 minutes after the cooking ends. Open the door and it will stop, close the door it will start again until 2 minutes is finished (including door open time). If the oven runs for less than 3 minutes the fan will not come on.

After cooking the turntable will continue to rotate until the cooking vessel returns to its initial start position. The cavity light will remain on until completion of the rotation, or for 5 seconds (whichever is greater). The oven will beep when complete. If the door is opened during this process, the rotation will stop.

POWER LEVELS

Power setting	Suggested use
900 W/HIGH	Used for fast cooking or reheating (e.g. soup, casseroles, canned food, hot beverages, vegetables, fish).
630 W	Used for longer cooking of dense foods such as roast joints, meat loaf and plated meals, also for sensitive dishes such as cheese sauce and sponge cakes. At this reduced setting, the sauce will not boil over and food will cook evenly without over cooking at the sides.
450 W	For dense foods which require a long cooking time when cooked conventionally (e.g. beef dishes) it is advisable to use this power setting to ensure the meat will be tender.
270 W/ DEFROST	To defrost, select this power setting, to ensure that the dish defrosts evenly. This setting is also ideal for simmering rice, pasta, dumplings and cooking egg custard.
90 W	For gentle defrosting (e.g. cream gateaux or pastry).
0 W	For standing/kitchen timer.

W = WATT

REDUCED POWER LEVEL

Cooking mode	Standard time	Reduced power level
Microwave 900 W	15 minutes	Microwave 630 W

ADJUSTING THE COOKING TIME DURING COOKING

You can adjust the cooking time during cooking.

Example: To add 2 minutes (120 seconds) using the START key.

1. Press the START key four times.

The cooking time will increase by 120 seconds.

USING THE STOP KEY

Press the STOP key once to enter Pause mode.

Press the STOP key again to cancel the cooking time.

KITCHEN TIMER

To set the kitchen timer.

1. Press the KITCHEN TIMER key.
2. Press the MORE/LESS keys to enter the time.
3. Press the START key. The timer will automatically start.
 - The time can be extended when the timer is running by pressing the START key.
 - The timer function can only be used when the oven is not running.

QUICK START

You can directly start cooking on 900 W/HIGH for 30 seconds by pressing the START key.

- To add more time press the START key.

MUTE

To turn the sound off.

1. Press the KITCHEN TIMER key 3 times until 'Soun' is displayed.
2. Press the MORE/LESS keys until 'oFF' is displayed.
3. Press the START key.

To turn the sound on.

1. Press the KITCHEN TIMER key 3 times until 'Soun' is displayed.
2. Press the MORE/LESS keys until 'on' is displayed.
3. Press the START key.

PAUSE

To pause whilst the microwave is running.

1. Press the STOP key or open the door.
2. The oven will pause for up to 5 minutes.
3. Press START to continue cooking.

FAVOURITES

The oven has 3 Favourite recipes.

- ☆₁ Soften Butter
- ☆₂ Melt Chocolate
- ☆₃ Mug Cake

Example: To soften butter.

1. Press the FAVOURITE 1 key once.
2. Press the MORE/LESS keys to select the weight.
3. Press the START key.
 - If display segments exhibit a rotating pattern this indicates that the food needs to be stirred or turned over. To continue cooking, press the START key. At the end of the auto defrost time, the programme will automatically stop.

The power levels for the pre-set Favourite recipes cannot be adjusted. 1-4 Mug cakes can be cooked.

To overwrite Favourites for your own recipes.

1. Press the POWER level key to select the power.
2. Press the MORE/LESS keys to enter the time.
3. Press and hold the FAVOURITE key you want to set until you hear a single beep and the favourite star is visible.

To re-set Favourites to the factory settings.

1. Press the STOP key.
2. Press and hold POWER LEVEL 450 W for seconds.

The oven will reset Favourites to the factory settings.

AUTO DEFROST

Auto defrost automatically works out the correct cooking mode and cooking time based on the weight of the food.

You can choose from 2 auto defrost menus.

1. Auto Defrost: Meat/Fish/Poultry
2. Auto Defrost: Bread

Example: To defrost 0.2 kg steak.

1. Select the auto defrost menu by pressing the AUTO DEFROST key once.
2. Press the MORE/LESS keys to select the weight.
3. Press the START key.
 - If display segments exhibit a rotating pattern this indicates that the food needs to be stirred or turned over. To continue cooking, press the START key. At the end of the auto defrost time, the programme will automatically stop. Time/Power adjustment is not available in auto defrost.

HINTS AND TIPS

MICROWAVE SAFE COOKWARE

Cookware	Microwave safe	Comments
Aluminium foil/containers	✓/X	Small pieces of aluminium foil can be used to shield food from overheating. Keep foil at least 2 cm from the oven walls, as arcing may occur. Foil containers are not recommended unless specified by the manufacturer. Follow instructions carefully.
China and ceramics	✓/X	Porcelain, pottery, glazed earthenware and bone china are usually suitable, except for those with metallic decoration.
Glassware e.g. Pyrex®	✓	Care should be taken if using fine glassware as it can break or crack if heated suddenly.
Metal	X	It is not recommended to use metal cookware when using microwave power as it will arc, which can lead to fire.
Plastic/polystyrene e.g. fast food containers	✓	Care must be taken as some containers warp, melt or discolour at high temperatures.
Freezer/roasting bags	✓	Must be pierced to let steam escape. Ensure bags are suitable for microwave use. Do not use plastic or metal ties, as they may melt or catch fire due to the metal arcing.
Paper-plates, cups and kitchen paper	✓	Only use for warming or to absorb moisture. Care must be taken as overheating may cause fire.
Straw and wooden containers	✓	Always attend the oven when using these materials as overheating may cause fire
Recycled paper and newspaper	X	May contain extracts of metal which will cause arcing and may lead to fire.

MICROWAVE COOKING ADVICE

Microwave cooking advice	
Composition	Foods high in fat or sugar (e.g. Christmas pudding, mince pies) require less heating time. Care should be taken as overheating can lead to fire
Size	For even cooking make all the pieces the same size.
Temperature of food	The initial temperature of food affects the amount of cooking time needed. Cut into foods with fillings (e.g. jam doughnuts) to release heat or steam.
Arrange	Place the thickest parts of food towards the outside of the dish (e.g. chicken drumsticks).
Cover	Use vented microwave cling film or a suitable lid.
Pierce	Foods with a shell, skin or membrane must be pierced in several places before cooking or reheating as steam will build up and may cause food to explode (e.g. potatoes, fish, chicken, sausages). IMPORTANT! Eggs should not be heated using microwave power as they may explode, even after cooking has ended (e.g. poached, hard boiled).
Stir, turn and rearrange	For even cooking it is essential to stir, turn and rearrange food during cooking. Always stir and rearrange from the outside towards the centre.
Stand	Standing time is necessary after cooking to enable the heat to disperse equally throughout the food.
Shield	Warm areas can be shielded with small pieces of foil, which reflect microwaves (e.g. legs and wings on a chicken).

Use pot holders or oven gloves when removing food from the oven to prevent burns. Always open containers, popcorn makers, oven cooking bags, etc., away from the face and hands to avoid steam burns.

Always stand back from the oven door when opening to avoid burns from escaping steam and heat. Slice stuffed baked foods after heating to release steam and avoid burns.

TROUBLESHOOTING

Problem	Check if . . .
The microwave appliance is not working properly?	<ul style="list-style-type: none"> • The fuses in the fuse box are working. • There has not been a power outage. • If the fuses continue to blow, please contact a qualified electrician.
The microwave mode is not working?	<ul style="list-style-type: none"> • The door is properly closed. • The door seals and their surfaces are clean. • The START key has been pressed.
The turntable is not turning?	<ul style="list-style-type: none"> • The turntable support is correctly connected to the drive. • The ovenware does not extend beyond the turntable. • Food does not extend beyond the edge of the turntable preventing it from rotating. • There is nothing in the well beneath the turntable.
The microwave will not switch off?	<ul style="list-style-type: none"> • Isolate the appliance from the fuse box. • Call an authorised ELECTROLUX service agent.
The interior light is not working?	Call your authorised ELECTROLUX service agent. The interior light can be exchanged only by a trained authorised ELECTROLUX service agent.
The food is taking longer to heat through and cook than before?	<ul style="list-style-type: none"> • Set a longer cooking time (double quantity = nearly double time) or • If the food is colder than usual, rotate or turn from time to time or • Set a higher power setting.
The door will not open due to power cut?	Open the door carefully by pulling outward at the bottom right hand corner of the door glass.

Warning

This content is compiled from multiple sources and is provided for reference purposes only. It may not be complete or fully applicable to all situations. If you are unable to resolve your issue, please contact the product manufacturer or an authorized service provider for official support.

Document generated by [ManualsFile](#)