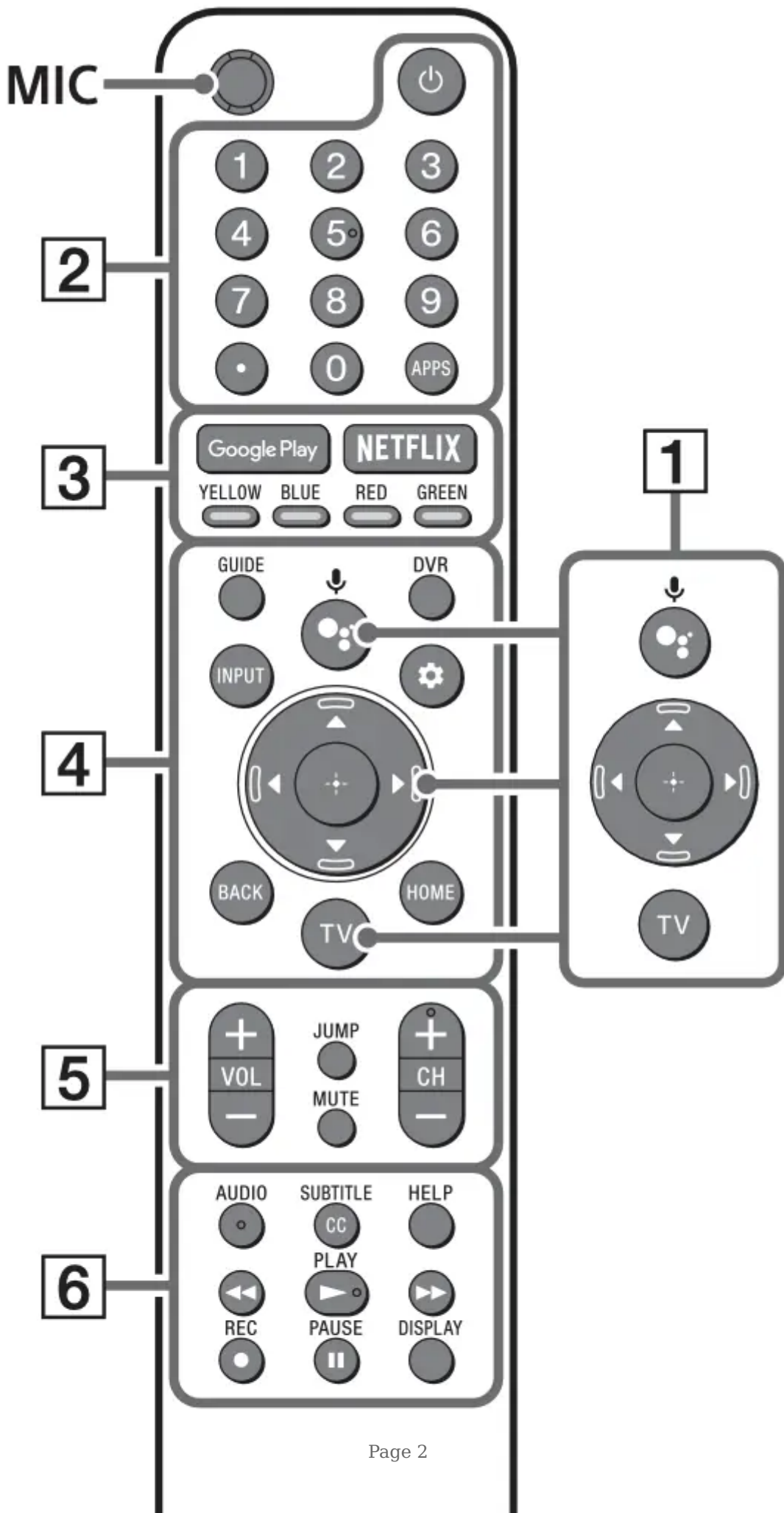
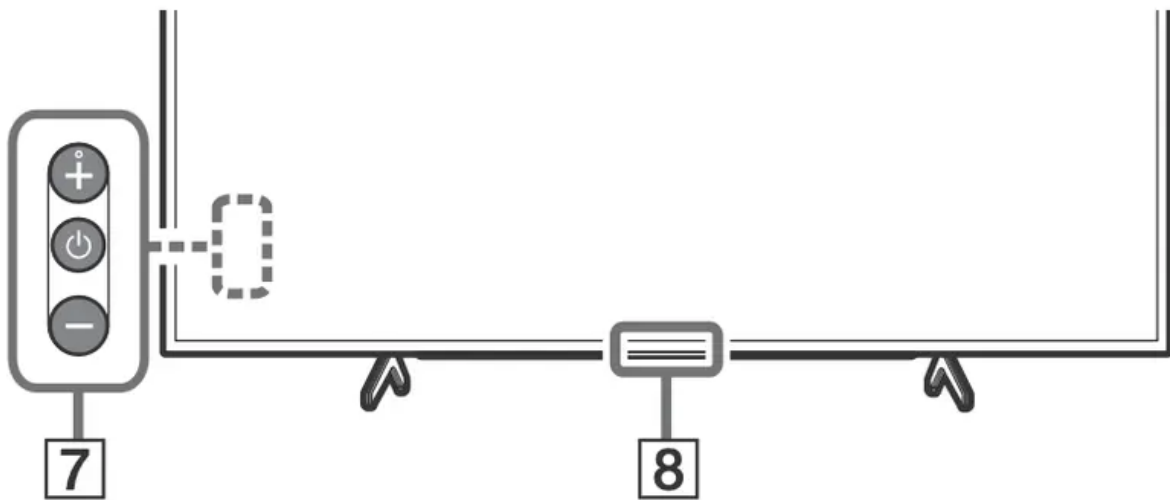





Remote Control and TV

The remote control shape, location, availability and function of remote control buttons may vary depending on your region/country/TV model.





1.  (The Google Assistant) /  (Microphone): Use the Google Assistant^{*1*2} or voice search^{*2}.

 : On screen menu navigation and selection.

TV: Switch to a TV channel or input.


2.  (TV standby)

Number buttons

 (dot)


APPS: Display a list of installed apps.

3. **Google Play / NETFLIX^{*1} / Color buttons**

4. **GUIDE/**  : Display the digital program guide of TV or Cable/Satellite box^{*1}.

DVR: Display the Rec list of DVR^{*1*3}.

INPUT: Display and select the input source, etc.

 (Action menu): Display Action menu.

BACK

HOME

5. **VOL +/- (Volume)**

JUMP

MUTE

CH +/- (Channel)

6. **AUDIO^{*4}** : Select the sound of multilingual source or dual sound (depend on program source).

SUBTITLE/CC

HELP: Display the Customer Support menu.



● **REC:** Record the currently viewed program on DVR ^{*1*3}.

DISPLAY: Display information.

7.  **(Power)/+/-**

8. Remote Control sensor / LED

*1 Only on limited region/country/TV model/ language.

*2 The Google Assistant or voice search requires an Internet connection.

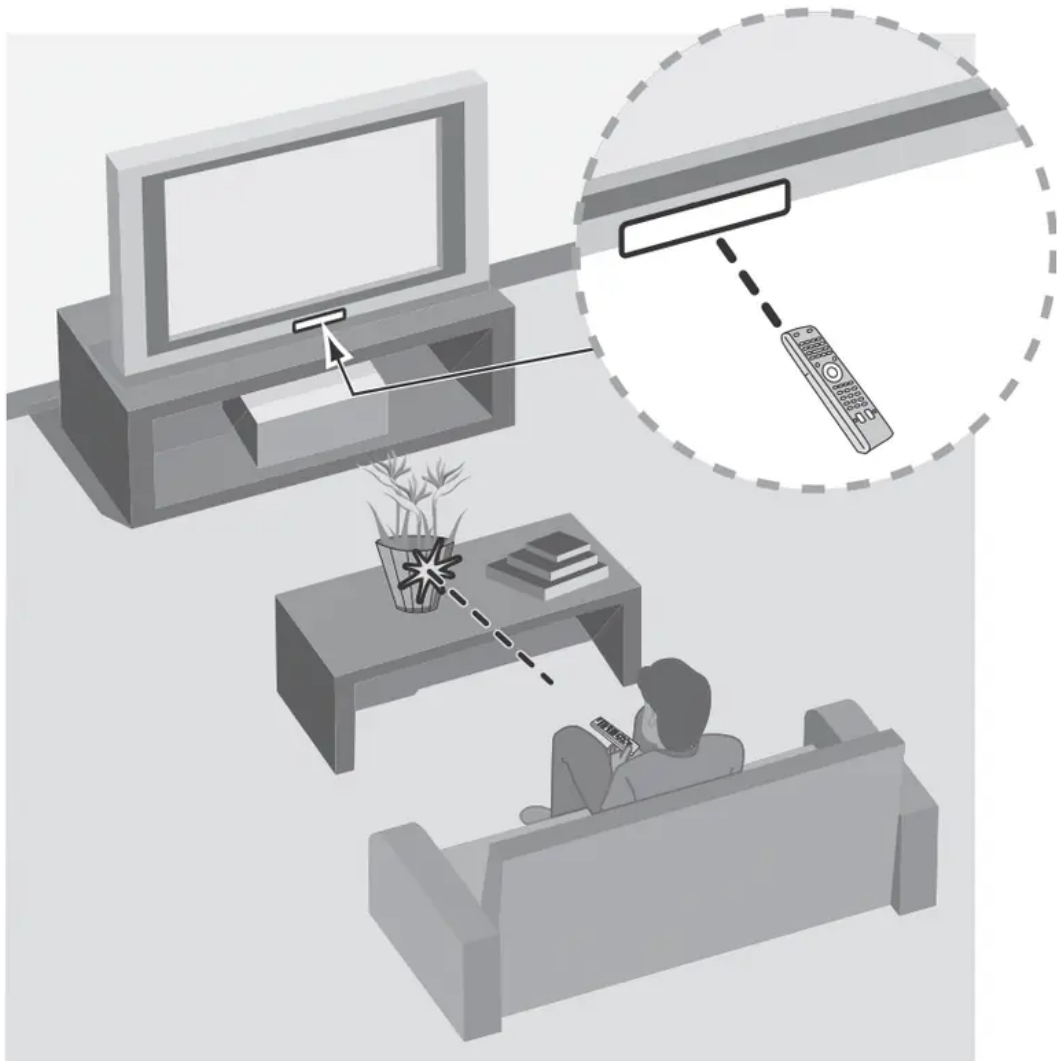
*3 [Cable/Satellite box setup] setting is required.

*4 Accessibility shortcut is available by pressing and holding AUDIO.

Guidelines for IR Remote Control

- Point your remote control directly at the IR sensor located on your TV.

- Make sure that no objects are blocking the path between the remote control and the IR sensor on your TV.



- Fluorescent lamps can interfere with your remote control; try turning off the fluorescent lamps.
- If you are having problems with the remote control, reinsert or replace your batteries and make sure that they are correctly inserted.

Installing the TV to the Wall

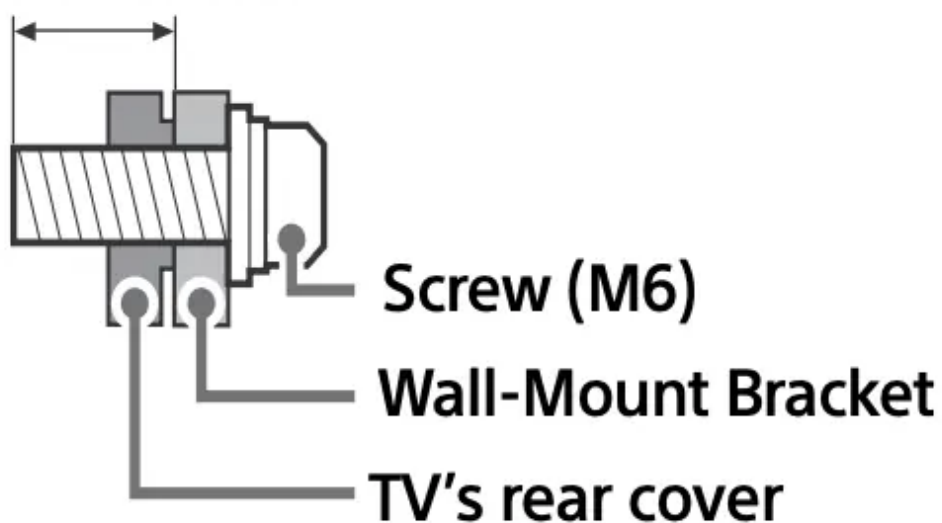
This TV's instruction manual only provides the steps to prepare the TV for Wall-Mount installation before it is installed on the wall. Your TV can be mounted to a wall using a suitable Wall-Mount Bracket (not supplied).

If the Table-Top Stand is attached to the TV, the TV may require detaching the Table-Top Stand; see "Detaching the Table-Top Stand from the TV". Prepare the TV for the Wall-Mount Bracket before making cable connections.

For product protection and safety reasons, Sony strongly recommends that installation of your TV on the wall be performed by qualified professionals. Do not attempt to install it yourself.

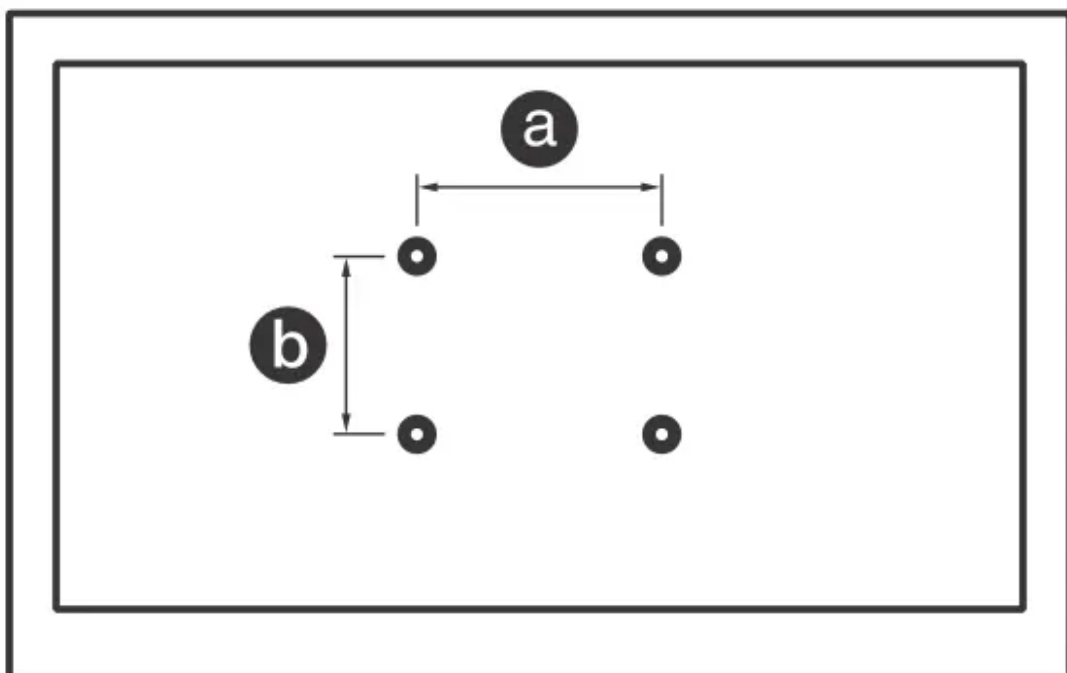
- Follow the instruction guide provided with the Wall-Mount Bracket for your model. Sufficient expertise is required in installing this TV, especially to determine the strength of the wall for withstanding the TV's weight.
- The screws for Wall-Mount Bracket are not supplied.
- The length of the screw for Wall-Mount Bracket differs depending on the Wall-Mount Bracket thickness. Please refer to below illustration.

8 mm – 12 mm



- Refer to the following table for wall-mount hole pattern.

Model Name	Wall-mount hole pattern
	a × b
KD-75X750H KD-65X750H	300 × 300 mm
KD-55X750H	200 × 200 mm

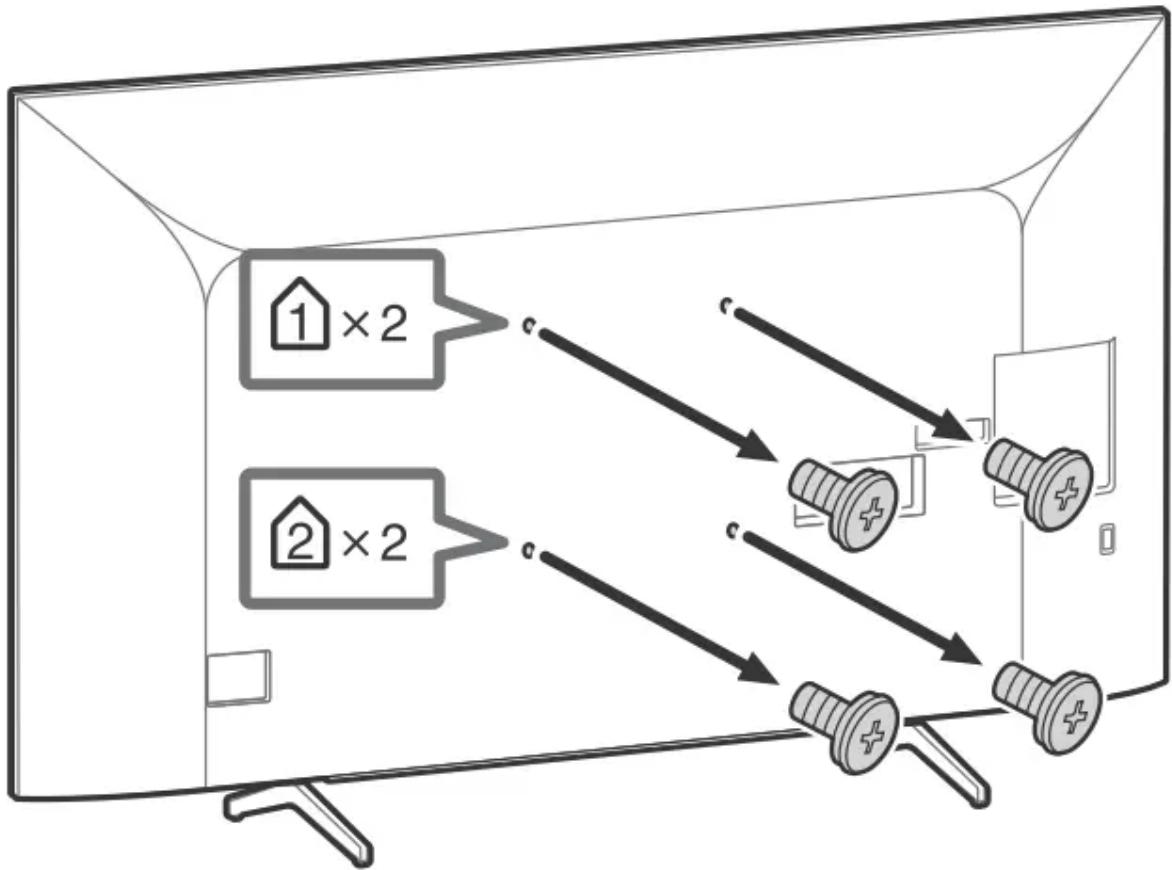


- Be sure to store the unused screws and Table-Top Stand in a safe place until you are ready to attach the Table-Top Stand. Keep the screws away from small children.

Note: Read the supplied Safety Booklet for additional safety information.

KD-75X750H / 65X750H

Remove the screws from the rear of the TV.

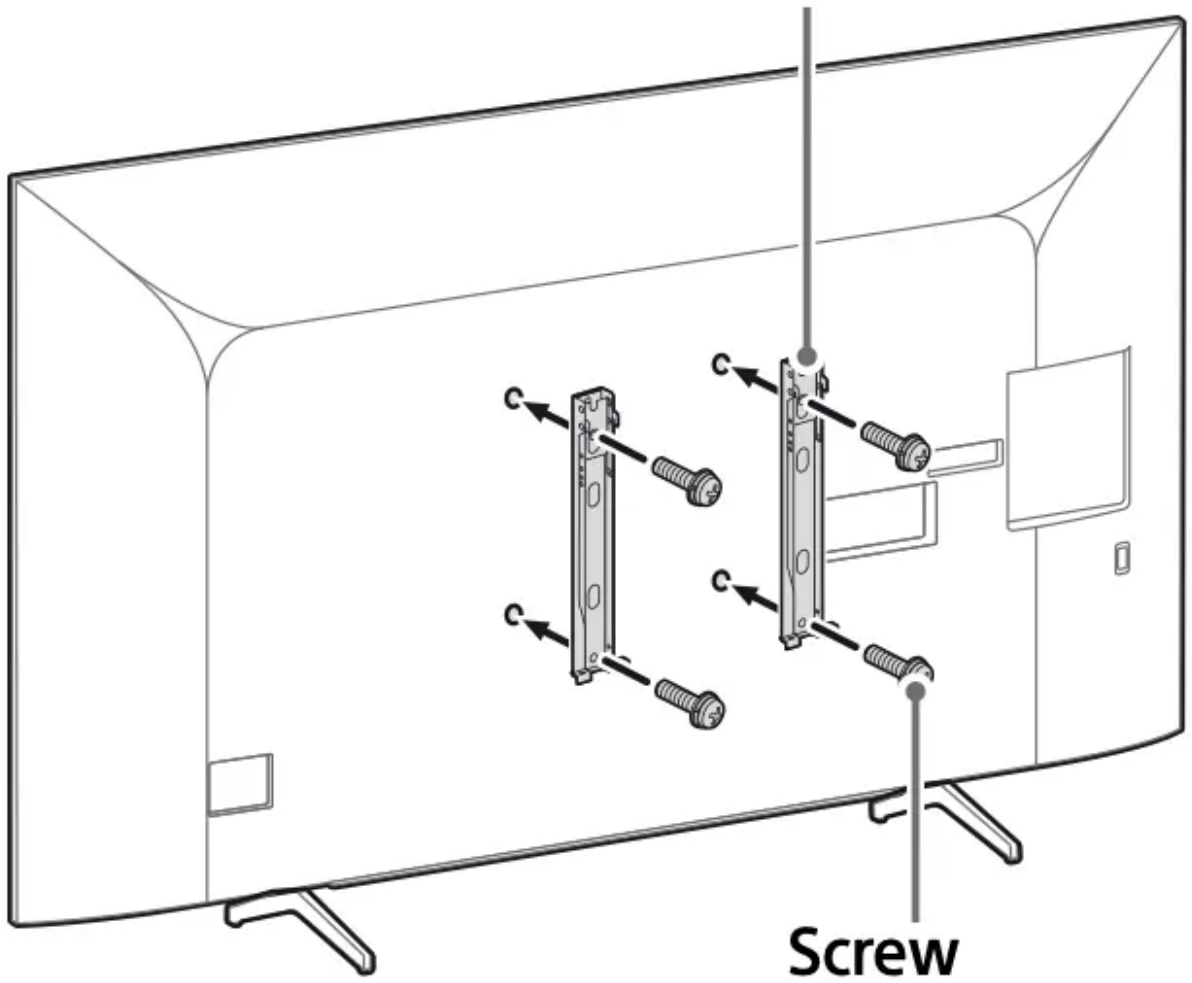


Attach the Wall-Mount Bracket (not supplied) using the screws (not supplied).

KD-75X750H / 65X750H



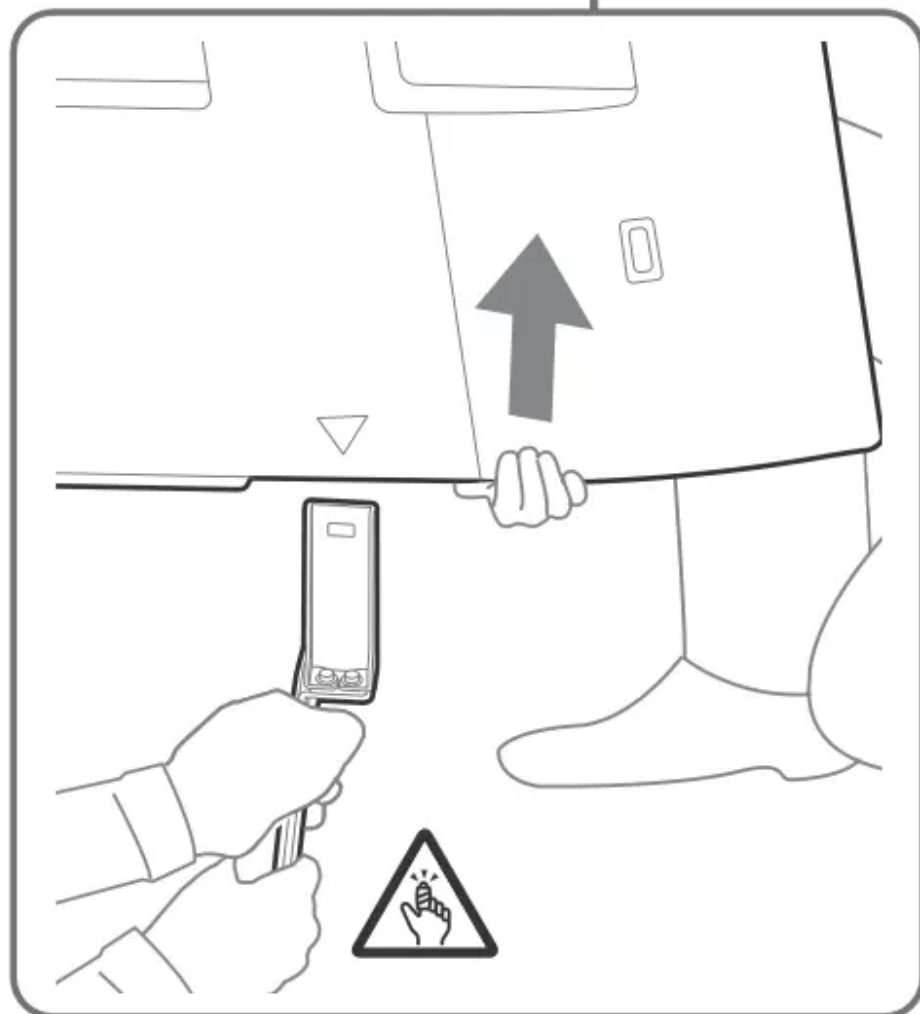
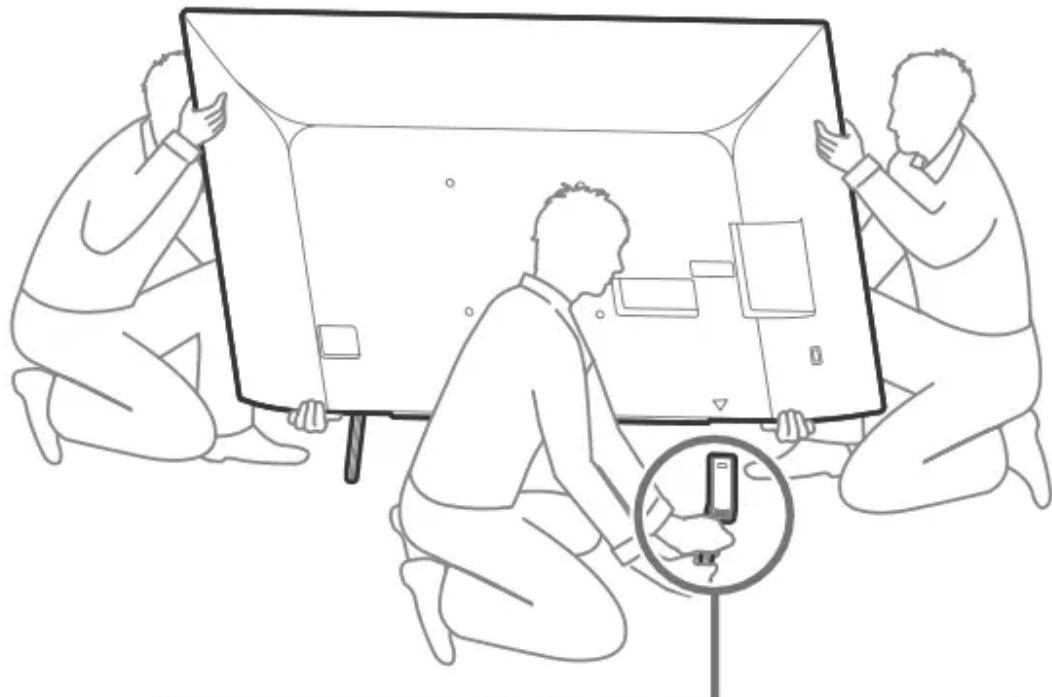
Wall-Mount Bracket



Detaching the Table-Top Stand from the TV

KD-75X750H / 65X750H

1. Remove one side of the Table-Top Stand at a time. Firmly hold the Table-Top Stand securely with both hands while the other people lift up the TV.



2. Repeat the previous step and remove the other side of the Table-Top Stand.

Note

- Three or more people are required to detach the Table-Top Stand.
- Be careful not to use excessive force while detaching the Table-Top Stand from the TV as it may cause the TV set to fall resulting in personal injury or physical damage to the TV.
- Take care when handling the Table-Top Stand to prevent damage to the TV.
- Be careful when lifting the TV as the Table-Top Stand is detached, the Table-Top Stand may topple over and cause personal injury.
- Take care when removing the Table-Top Stand from the TV to prevent it from falling over and damaging the surface that the TV is sitting on.
- Do not remove the Table-Top Stand for any reason other than to install corresponding accessories on the TV.
- Be sure the TV is vertical before turning on. To avoid uneven picture uniformity do not power on the TV with the LCD panel facing down.

Troubleshooting

General troubleshooting for issues like: black screen, no sound, frozen picture, TV does not respond, or network is lost, do the following steps.


1. Restart your TV by pressing the power button on the remote control until a menu appears. Select Restart to restart the TV. If the TV does not recover, try unplugging the AC power cord. Then press the power button on the TV, and release it. Wait for two minutes, and plug in the AC power cord.
2. Refer to the Help Guide in Customer Support by pressing **HELP** on the remote control.
3. Connect your TV to the Internet and perform a software update. Sony recommends you to keep your TV software updated. Software updates provide new features and performance improvements.
4. Visit Sony support website (information provided at the end of this manual).
5. Perform the factory data reset.

When you plug in the TV, the TV may not be able to turn on for a while even if you press the power button on the remote control or the TV.

It takes time to initialize the system. Wait for about one minute, then operate it again.

How to reset the TV to factory settings

WARNING: The reset will clear all of your customized settings including the parental lock setting.

- You can reset the TV to factory settings by selecting [Reset]. How to select [Reset], refer to the Help Guide.
- To force factory data reset, unplug the AC power cord. Press and hold both  and – buttons on the TV, then plug in the AC power cord. Release both buttons when the LED blinks.
- For security purposes, be sure to remove all personal and account information before discarding, selling or passing your TV to someone else by: unlinking/ unregistering, signing out of and deactivating all network services as well as factory reset the TV.

The remote control does not function.

- Replace the batteries.

The parental lock password has been forgotten.

- Enter 4357 for the PIN and enter the new PIN.

Specifications

System

Television system

- NTSC: American TV Standard
- ATSC (8VSB Terrestrial): ATSC compliant 8VSB
- QAM on cable: ANSI/SCTE 07 2000 (Does not include CableCARD functionality)

Channel coverage

- Analog terrestrial: 2 – 69 / Digital terrestrial: 2 – 69
- Analog Cable: 1 – 135 / Digital Cable: 1 – 135

Panel system: LCD (Liquid Crystal Display) Panel, LED Backlight

Speaker output: 10 W + 10 W

Wireless technology

- Protocol IEEE 802.11a/b/g/n/ac
- Bluetooth® Version 4.2

Input/Output jacks

CABLE/ANTENNA

75 ohm external terminal for RF inputs  /  AV IN

Video/Audio input (phono jack)

HDMI IN 1/2/3 (support 4K resolution, HDCP 2.3-compatible)

Video: 4096 × 2160p (60 Hz)*1 , 4096 × 2160p (24 Hz), 3840 × 2160p (60 Hz)*1 , 3840 × 2160p (24, 30 Hz), 1080p (30, 60 Hz), 1080/24p, 1080i (60 Hz), 720p (30, 60 Hz), 720/24p, 480p, 480i, PC Formats*2

Audio: Two channel linear PCM: 32/44.1/48 kHz 16/20/24 bits, Dolby Audio, DTS HD

ARC (Audio Return Channel) (HDMI IN 3 only)*3

Two channel linear PCM: 48 kHz 16 bits, Dolby Audio, DTS



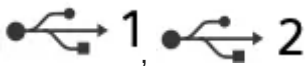
DIGITAL AUDIO OUT (OPTICAL)

Digital optical jack (Two channel linear PCM: 48 kHz 16 bits, Dolby Audio, DTS)



(Stereo mini jack)

Headphone



USB port 1 and 2 supports High Speed USB (USB 2.0)



LAN

10BASE-T/100BASE-TX connector

(Depending on the operating environment of the network, connection speed may differ. The communication rate and quality are not guaranteed.)

Refer to the Help Guide for supported files and formats in Home Network.

Power and others

Power requirements: 110 V – 240 V AC, 50/60 Hz (U.S.A./ Canada 120 V AC, 60 Hz)

Power consumption

In use

- KD-75X750H: 276 W
- KD-65X750H: 241 W
- KD-55X750H: 174 W

In standby^{*4*5}

Less than 0.5 W with 120 V AC and less than 0.5 W with 240 V AC

Screen size (measured diagonally) (Approx.)

- KD-75X750H: 189.3 cm / 74.5 inches (75" class)
- KD-65X750H: 163.9 cm / 64.5 inches (65" class)
- KD-55X750H: 138.8 cm / 54.6 inches (55" class)

Display resolution

3,840 dots (horizontal) × 2,160 lines (vertical)

Output Rating U

SB 1/2

5 V , 500 mA MAX

Dimensions (Approx.) (w × h × d) (mm) / (inches)

with stand (without stand)

- KD-75X750H: 1,686 × 1,038 × 414 / 66 1 / 2 × 40 7 / 8 × 16 3 / 8 (1,686 × 970 × 80 / 66 1 / 2 × 38 1 / 4 × 3 1 / 4)
- KD-65X750H: 1,463 × 904 × 340 / 57 5 / 8 × 35 5 / 8 × 13 1 / 2 (1,463 × 845 × 80 / 57 5 / 8 × 33 3 / 8 × 3 1 / 4)
- KD-55X750H: 1,241 × 781 × 340 / 48 7 / 8 × 30 3 / 4 × 13 1 / 2 (1,241 × 721 × 79 / 48 7 / 8 × 28 1 / 2 × 3 1 / 8)

wall-mount hole pattern

- KD-75X750H / 65X750H: 300 × 300 mm
- KD-55X750H: 200 × 200 mm

wall-mount screw size (mm)

- M6 (length: see "Installing the TV to the Wall".)

Mass (Approx.) (kg) / (lb.)

with stand (without stand)

- KD-75X750H: 31.7 / 69.9 (30.7 / 67.7)
- KD-65X750H: 21 / 46.3 (20.1 / 44.3)
- KD-55X750H: 15.9 / 35.1 (15 / 33.1)

Others

Operating temperature: 0 °C – 40 °C / 32 °F – 104 °F

*1 To support 18 Gbps, set [HDMI signal format] to [Enhanced format].

*2 Refer to the online Help Guide for details.

*3 Connect your audio system to the HDMI IN 3 to route TV audio to your audio system.

*4 Specified standby power is reached after the TV finishes necessary internal processes.

*5 Standby power consumption will increase when your TV is connected to the network.

Note

- Design and specifications are subject to change without notice.
- Subscriptions for services and applications may be required and additional terms, conditions and/or charges may apply when using the Google Assistant.

Licensing Information

- The terms HDMI, HDMI High-Definition Multimedia Interface, and the HDMI Logo are trademarks or registered trademarks of HDMI Licensing Administrator, Inc.
- Manufactured under license from Dolby Laboratories. Dolby, Dolby Audio, and the double-D symbol are trademarks of Dolby Laboratories.
- Google, Google Play, Chromecast, YouTube, Android TV and other related marks and logos are trademarks of Google LLC.
- For DTS patents, see [http:// patents.dts.com](http://patents.dts.com). Manufactured under license from DTS, Inc. DTS, the Symbol, DTS and the Symbol together, DTS-HD, and the DTS-HD logo are registered trademarks or trademarks of DTS, Inc. in the United States and/or other countries. © DTS, Inc. All Rights Reserved.
- Netflix is a registered trademark of Netflix, Inc.
- All other trademarks are the property of their respective owners.

Warning

This content is compiled from multiple sources and is provided for reference purposes only. It may not be complete or fully applicable to all situations. If you are unable to resolve your issue, please contact the product manufacturer or an authorized service provider for official support.