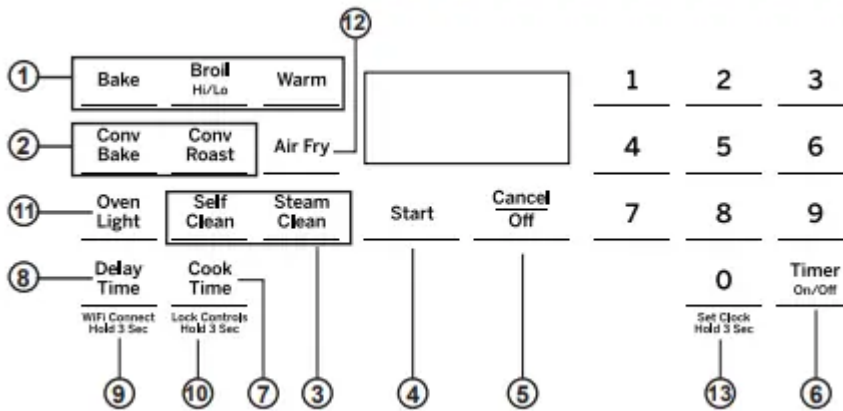


User manual Range

Oven Controls



1. Traditional Cooking Modes: Your oven has the following traditional cooking modes: Bake, Broil and Warm. See the Oven Cooking Modes section for more information.

2. Convection Cooking Modes (on some models): Convection cooking mode uses increased air circulation to improve performance. See the Oven Cooking Modes section for more information.

3. Clean: Your oven has two cleaning modes: Self Clean and Steam Clean. See the Cleaning the Oven section for important information about using these modes.

4. Start: Must be pressed to start any cooking, cleaning, or timed function.

NOTE: If your display and keys dim, opening the oven door or pressing any key will wake and illuminate the control.

5. Cancel/Off: Cancels ALL oven operations except the clock and timer.

6. Timer: Works as a countdown timer. Press the Timer pad and use the number pads to program the time in hour and minutes. Press the Start pad. The oven will continue to operate when the timer countdown is complete. To turn the timer off, press the Timer pad.

7. Cook Time: Counts down cooking time and turns off the oven when the cooking time is complete. Select a desired cooking mode. Use the number pads to program a baking temperature. 3UHVWVKHCook Time pad and use the number pads to program a cooking time in hours and minutes. Then press Start. This can only be used with Bake, Convection Bake, Convection Roast, and Air Fry.

8. Delay Time: Delays when the oven will turn on. Use this to set time when you want the oven to start Press the Delay Time pad. and use the + and = pads to program the time of day for the oven to {um on. Then press the desired cooking mode pad. Use the + and - pads to adjust the temperature. then press Start. Afr Start has been pressed. a cook time may also be programmed if desired. Once the Delay Time has been programmed. the stat time set for the oven will be displayed until that time is reached. Then. either the cook time (if programmed) or the temperature

will be displayed. Delay Time can only be used with Traditional Bake, Convection Bake, and the Clean modes (on some models)

NOTE: When using the delay time feature, foods that spoil easily—such as milk, eggs, fish, stuffings, poultry, and pork—should not be allowed to sit at room temperature for more than 1 hour before or after cooking, as this may promote the growth of harmful bacteria. Be sure that the oven light is off, because heat from the bulb will speed harmful bacteria growth.

9. WiFi Connect (on some models): Allows you to control your oven remotely. For instructions on how to connect your oven, see the WiFi Connect section in this manual.

10. Lock Controls: Locks out the control so that pressing the pads does not activate the control. Press and both the + and - pads and hold for 3 seconds to lock or unlock the control. Cancel/Off is always active, even when the control is locked.

11. Oven Light: Turns the oven light on or off.

12. Air Fry (on some models): The Air Fry mode is designed to produce foods with a crispier exterior than traditional oven cooking. See the Oven Cooking Modes section for more information.

13. Set Clock: Set the oven clock time. Press the Set Clockpad. Use the number pads to program the lock. Press Start to save the time.

Oven Cooking Guide

Oven Cookware Guidelines

The material, finish, and size of cookware affect baking performance.

Dark, coated and dull pans absorb heat more readily than light, shiny pans. Pans that absorb heat more readily can result in a browner, crisper, and thicker crust.

If using dark and coated cookware check food earlier than minimum cook time. If undesirable results are obtained with this type of cookware consider reducing oven temperature by 25°F next time.

Shiny pans can produce more evenly cooked baked goods such as cakes and cookies.

Glass and ceramic pans heat slowly but retain heat well. These types of pans work well for dishes such as pies and custards.

Air insulated pans heat slowly and can reduce bottom browning.

Keep cookware clean to promote even heating.

Stoneware heats slowly and retains heat well. It is recommended to preheat this type of cookware if possible. Additional cook time may be required.

Oven Air Vents

Never block the vents (air openings) of the range. They provide the air inlet and outlet that are necessary for the range to keep cool and operate properly with correct combustion.

Air openings are located at the rear of the cooktop, at the top and bottom of the oven door, and at the bottom of the range.

Vent appearance and location vary

Range – Exterior

Control Lockout

If desired, the touch pads may be deactivated before cleaning.

See Lock Controls in the Oven Controls section in this manual.

Clean up splatters with a damp cloth.

You may also use a glass cleaner.

Remove heavier soil with warm, soapy water. Do not use abrasives of any kind.

Reactivate the touch pads after cleaning.

Control Panel

It's a good idea to wipe the control panel after each use. Clean with mild soap and water or vinegar and water, rinse with clean water and polish dry with a soft cloth.

Do not use abrasive cleansers, strong liquid cleansers, plastic scouring pads or oven cleaners on the control panel - they will damage the finish, including Black Stainless Steel.

Oven Exterior

Do not use oven cleaners, abrasive cleansers, strong liquid cleansers, steel wool, plastic scouring pads, or cleaning powders on the interior or exterior of the oven. Clean with a mild soap and water or vinegar and water solution. Rinse with clean water and dry with a soft cloth. When cleaning surfaces, make sure that they are at room temperature and not in direct sunlight.

If stain on the door vent trim is persistent, use a mild abrasive cleaner and a sponge-scrubber for best results.

Spillage of marinades, fruit juices, tomato sauces and basting liquids containing acids may cause discoloration and should be wiped up immediately. Let hot surfaces cool, then clean and rinse.

Range – Interior

The interior of your new oven can be cleaned manually or by using the Steam Clean or the Self Clean mode.

Spillage of marinades, fruit juices, tomato sauces and basting liquids containing acids may cause discoloration and should be wiped up immediately. Let hot surfaces cool, then clean and rinse.

Manual Cleaning

Do not use oven cleaners, strong liquid cleansers, steel wool, or scouring pads on the interior of the oven. For soils on the oven bottom and other enameled surfaces, use a gentle abrasive containing oxalic acid, such as Bar Keepers Friend®, with a non-scratch sponge. Take care not to apply any abrasive cleaners or sponges to the door glass, as it will scratch the reflective coating. The oven interior and door glass may be cleaned using a soft cloth with a mild soap and water, or vinegar and water solution. After cleaning, rinse with clean water and dry with a soft cloth.

Steam Clean Mode (on some models)

The Steam Clean feature is for cleaning light soil from your oven at a lower temperature than Self Clean.

To use the Steam Clean feature:

1. Start with the oven at room temperature.
2. Wipe excess grease and soils from the oven.
3. Pour one cup of water onto the bottom of the oven.
4. Close the door.
5. Press the Clean pad. select Steam Clean and then press Start/Enter. 30 minutes will show and count down in the display in the Steam Clean mode.

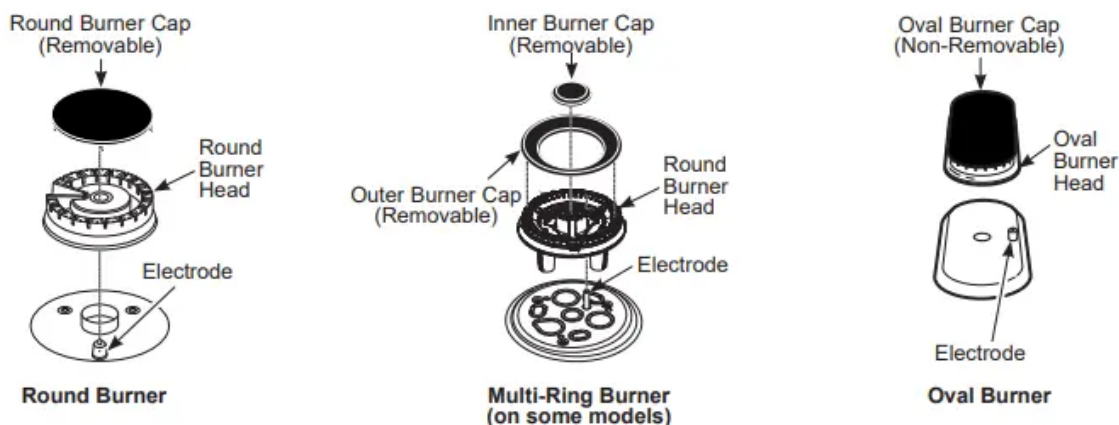
If your range has the self clean mode below, slide the door latch handle to the left as far as it will go. Do not open the door during the 30 minutes Steam Clean cycle. At the end of the Steam Clean cycle, soak up the remaining water, and wipe the moisture-softened soil from the oven walls and door.

Cooktop

Removal of Surface Burners for Cleaning

Turn all controls OFF. Allow cooktop to cool before removing grates and burner parts. When removing the burner caps and heads, remember their size and location. Replace them in the same location after cleaning.

CAUTION Do not attempt to remove oval burner cap from burner heads.



Cleaning the Surface Burners

Cleaning the Burner Caps

Wash burner caps in hot, soapy water and rinse with clean water. You may scour with a plastic scouring pad to remove burned-on food particles. The round burner caps may also be cleaned in your dishwasher.

Cleaning the Burner Heads

Wash the burner heads routinely, especially after bad spillovers which could clog the burner openings. Lift burners off when cool. Wash with hot, soapy water. Rinse with clean water. For more stubborn stains, use a brush with plastic bristles.

NOTE: Do not use steel wool or scouring pads to clean the burner parts as these may clog the openings. Never wash burner heads in your dishwasher as dishwasher. Doing so may cause them to discolor.

The ports in the burner heads must be kept clean at all times for an even, unhampered flame.

Clogged or dirty burner ports or electrodes will not allow the burner to operate properly.

Replacing Surface Burners

Before replacing the burner caps, heads and oval head/cap assembly, shake out excess water and allow them to dry thoroughly.

Replace burner heads in the correct locations according to size. Ensure each cap is properly seated on the burner head, as pictured below.

CAUTION Do not operate the cooktop without all burner parts and grates in place.

Any spill on or around an electrode must be carefully cleaned. Avoid hitting the electrode with anything hard or it could be damaged.

The electrode of the spark igniter is exposed when the burner head is removed. When one burner is turned to LITE, all the burners spark. Do not attempt to disassemble or clean around any burner while another burner is on.

Burner Grates

Manual Cleaning

Grates should be washed in hot, soapy water and rinsed with clean water. To soften burned-on food, place grates in a solution containing ¼-cup of household ammonia for several hours. Afterward, scrub grates with a plastic scouring pad soaked in hot, soapy water. Rinse well and dry.

Self Clean Mode (on some models)

If your grates do not have rubber bumpers on their bottom surface, they may be cleaned in the oven using the self-clean cycle. Do not attempt to clean your grates in the oven if your grates have rubber bumpers. Doing so will destroy the rubber bumpers and may affect the function of your surface burners.

Porcelain-coated grates may gradually dull if continually exposed to self-clean temperatures.

Your oven is equipped with nickel-plated (silver) racks, it is recommended to follow the instructions for placing grates on the oven bottom. Nickel-plated racks should not remain in the oven during the self clean cycle. Doing so will tarnish the racks. If either type of rack is left in the oven during a self-clean cycle, the rack may become difficult to slide.

NOTE: When placing or removing grates from the oven, do not slide the grates on the racks or oven bottom. Doing so could damage the enamel on the racks or oven bottom.

To self clean your grates on the oven bottom:

1. Remove all oven racks.
2. Gently place one grate on the center of the oven bottom with the grate oriented in the upright position. Stack remaining grate(s) as shown below. Do not place or stack grates in any other configuration.

Once the grates are placed in the oven, operate the self-clean cycle per the instruction in the Cleaning the Oven section.

NOTE: Use caution when removing the grates from the oven after the self-clean cycle has ended. The grates may still be hot.

Once the self-clean cycle is complete, the grates may carefully be removed. You may notice a white residue on the grates. Wipe it off with a damp sponge. If white spots persist, wet the sponge with a 50/50 solution of vinegar and water and wipe the grates again.

When replacing the grates on the cooktop, be sure to locate them correctly. Grates should fit securely into the cooktop.

Grate Support Bumpers (on some models)

To insert the new bumpers, simply place the coneshaped end of the bumper into the hole in the cooktop and push down while gently twisting the bumper.

Griddles (on some models)

Griddle Precautions:

- If something has spilled under the griddle, it should be cleaned up as soon as possible to prevent the spill from getting baked onto the cooktop.
- Do not allow grease to accumulate under the griddle as it can be a fire hazard. Clean under the griddle with hot, soapy water as soon as it is cool.
- Do not wash your griddle in the dishwasher.
- Do not clean the griddle in the self-cleaning oven.

Oven Light

NOTE: The glass cover should be removed only when cold. Wearing latex gloves may offer a better grip.

Before replacing the bulb, disconnect electrical power to the oven at the main fuse or circuit breaker panel. Let the bulb cool completely before removing it. For your safety do not touch a hot bulb with a damp cloth. If you do the bulb may break.

To remove:

Turn the glass cover counterclockwise 1/4 turn until the tabs of the glass cover clear the grooves of the socket and pull the cover off. Remove the bulb.

To replace:

Put in a new 40-watt appliance bulb. Place the tabs of the glass cover into the grooves of the socket. Turn the glass cover clockwise 1/4 turn.

NOTE:

- A 40-watt appliance bulb is smaller than household bulb.
- Reconnect electrical power to the oven once the new bulb is installed.
- For improved lighting inside the oven, clean the glass cover frequently using a wet cloth. This should be done when the oven is completely cool.

Troubleshooting Tips

My new oven doesn't cook like my old one. Is something wrong with the temperature settings?

- Your new oven has a different cooking system from your old oven and therefore may cook differently than your old oven.

For the first few uses, follow your recipe times and temperatures carefully and use rack positions recommended in the Cooking Guide. If you still think your new oven is too hot or too cold, you can

adjust the temperature yourself to meet your specific cooking preference. See the Oven Controls section.

Food does not bake properly

- Oven controls improperly set.

See the Cooking Modes section.

- Rack position is incorrect or rack is not level.

See the Cooking Modes section and Cooking Guide.

- Incorrect cookware or cookware of improper size being used.

See the Cookware section.

- Oven temperature needs adjustment.

See the Oven Controls section.

Food does not broil properly

- Oven controls improperly set.

Make sure you select the appropriate broil mode.

- Improper rack position being used.

See Cooking Guide for rack location suggestions.

- Cookware not suited for broiling.

Use a pan specifically designed for broiling

- Aluminum foil on the broil pan has not been fitted properly or slit to drain grease.

If using aluminum foil on broil pan, wrap tightly and add slits conforming to those in the pan to allow grease to drain.

Oven temperature too hot or too cold

- Oven temperature needs adjustment.

See the Oven Controls section.

Oven and/or display appears not to work

- A fuse in your home may be blown or the circuit breaker tripped.

Replace the fuse or reset the circuit breaker.

- Oven controls improperly set.

See the Using the Oven section.

- A single bracket "]" shows in the display.

Press Bake and Broil pads at the same time and hold for three second. "SF" will appear in h display. Press the Set Clock pad or the Cook Time pad until "On" appears in the display and then press Start. The display will change from a single bracket "]" to the time of day.

- The clock is turned off.

See the Oven Controls or Special Features section.

“Crackling” or “popping” sound

- This is the sound of the metal heating and cooling during both the cooking and cleaning functions.

This is normal.

Why is my range making a "clicking" noise when using my oven?

- Your range has been designed to maintain a tighter control over your oven's temperature. You may hear your oven's heating elements "click" on and off more frequently than in older ovens to achieve better results during baking, broiling, and self-clean cycles.

This is normal.

Clock and timer do not work

- A fuse in your home may be blown or the circuit breaker tripped.

Replace the fuse or reset the circuit breaker.

Sometimes the oven takes longer to preheat to the same temperature

- Cookware, food, and/or number of racks in oven.

Cookware, food, and racks in the oven will cause differences in preheat times. Remove excess items to reduce preheat time.

Oven light does not work

- Light bulb is loose or defective.

Tighten or replace bulb. See the Maintenance section for instructions on how to replace the bulb.

Oven will not selfclean

- The temperature is too high to set a self-clean operation.

Allow the oven to cool and reset the controls.

- Oven controls improperly set.

See the Care and Cleaning section.

Excessive smoking during clean cycle

- Excessive soil or grease.

Turn the Oven Temperature Knob to OFF. Wait until the Oven cools below the unlocking temperature. Open the windows to rid the room of smoke. Wipe up the excess soil and reset the clean cycle.

Oven not clean after a clean cycle

- Oven controls improperly set.

See the Care and Cleaning section.

- Oven was heavily soiled.

Clean up heavy spillovers before starting the clean cycle. Heavily soiled ovens may need to self-clean again.

Strong “burning” or “oily” odor emitting from the vent

- This is normal in a new oven and will disappear in time.

To speed the process, set a self-clean cycle. See the Care and Cleaning section. This is temporary

Excessive smoking during broiling

- Food too close to burner element.

Lower the rack position of the food.

Oven door will not open when you want to cook

- The oven door is locked because the temperature inside the oven has not dropped below the locking temperature.

Allow the oven to cool below the locking temperature.

"LOCK DOOR" flashes in the display

- The self-clean or steam-clean cycle has been selected but the door is not locked.

Lock the oven door.

“F— and a number or letter” flash in the display

- You have a function error code.

Press the Cancel/Off pad. Allow the oven to cool for one hour. Put the oven back into operation. If the function code repeats, disconnect all power to the oven for at least 30 seconds and then reconnect power. If the function error code repeats again, call for service.

Clock flashes due to a power outage

- Power outage or surge

Reset the clock. If the oven was in use, you must reset it by pressing the Cancel/Off pad, setting the clock and resetting any cooking function.

Lock Controls or Control Lockout feature is activated

If LOC ON appears in the display, the range control is locked. Turn this feature off to use the range. See the Oven Controls section.

Burners do not light

- Plug on range is not completely inserted in the electrical outlet.

Make sure electrical plug is plugged into a live, properly grounded outlet.

- Gas supply not connected or turned on.

See the Installation Instructions that came with your range.

- A fuse in your home may be blown or the circuit breaker tripped.

Replace the fuse or reset the circuit breaker.

- Burner parts not replaced correctly.

See the Care and Cleaning of the range section.

- Burner slots near the electrode, or the round lighter port on the oval burner, may be clogged.

Remove the burners and clean them. Check the electrode area for burned-on food or grease. See the Care and Cleaning of the range section.

- Food residue on electrode

Lightly polish flat tip of electrode with nail file or sandpaper until shiny.

Top burners do not burn evenly

- Improper burner assembly.

Make sure the burner caps are seated correctly. See the Care and Cleaning of the range section.

- Burner slots on the side of the burner may be clogged.

Remove the burners for cleaning. See the Care and Cleaning of the range section.

Burner flames are very large or yellow

- Improper air to gas ratio

If range is connected to Propane gas, contact the technician (es Beatie yor tee co tence es exten

Surface burners light but bake and broil burners do not.

- Gas to the oven burners may have been shut off.

The oven gas shut-off is located on the gas regulator near the gas line attachment to your range. Locate it and flip the lever.

My oven door glass appears to be "tinted" or have a "rainbow" color.

- The inner oven glass is coated with a heat barrier to reflect the heat back into the oven to prevent heat loss and keep the outer door cool while baking.

This is normal. Under certain light or angles, you may see this tint or rainbow color.

Drawer does not slide smoothly or drags

- The drawer is out of alignment.

Fully extend the drawer and push it all the way in. See the Care and Cleaning of the range section.

- Drawer is over-loaded or load is unbalanced.

Reduce weight or redistribute drawer contents.

Warning

This content is compiled from multiple sources and is provided for reference purposes only. It may not be complete or fully applicable to all situations. If you are unable to resolve your issue, please contact the product manufacturer or an authorized service provider for official support.

Document generated by [ManualsFile](#)

