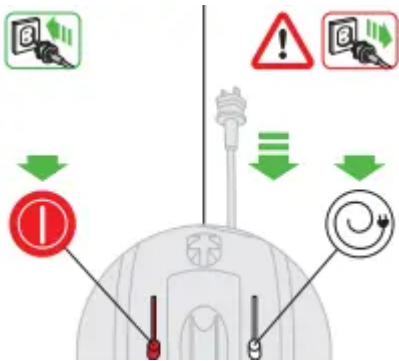
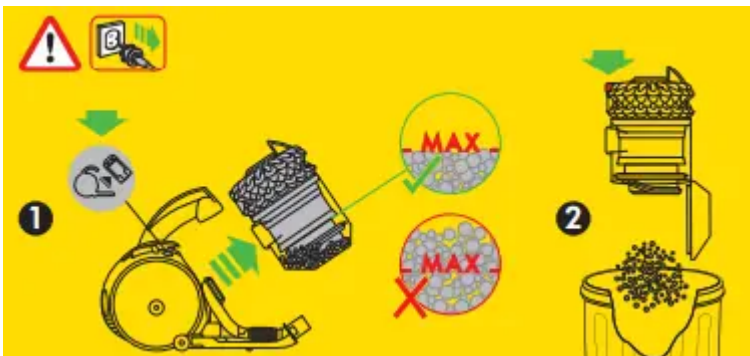


User manual Vacuum Cleaner

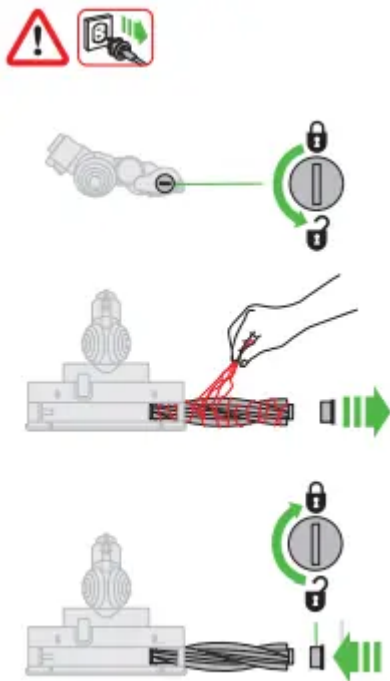
Power & cord



Emptying

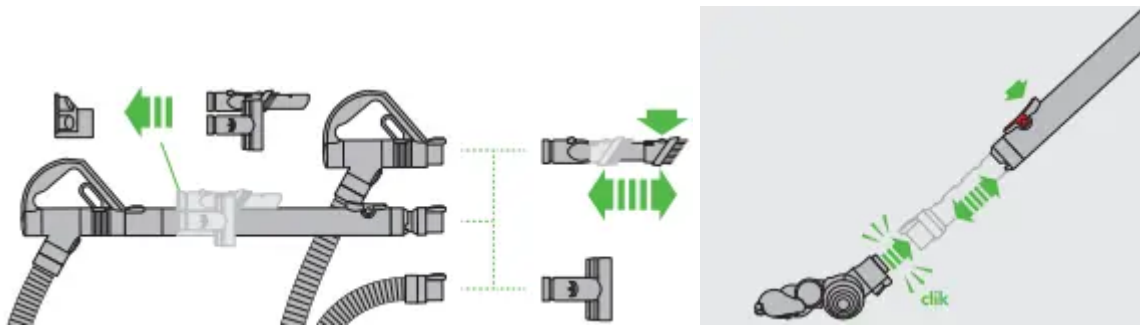


Brush bar – clearing obstructions

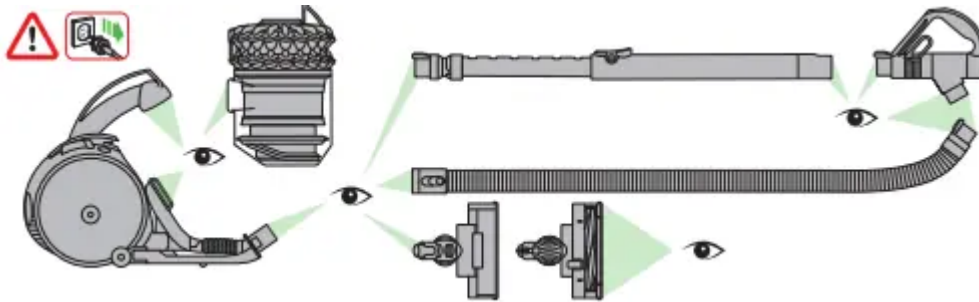


Tool attachments

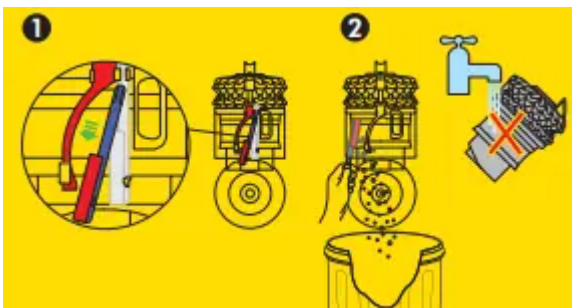




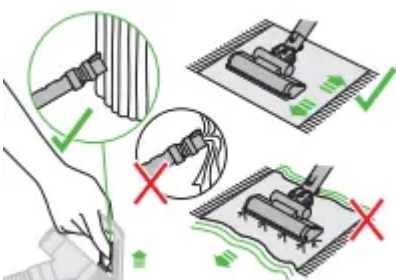
Looking for blockages

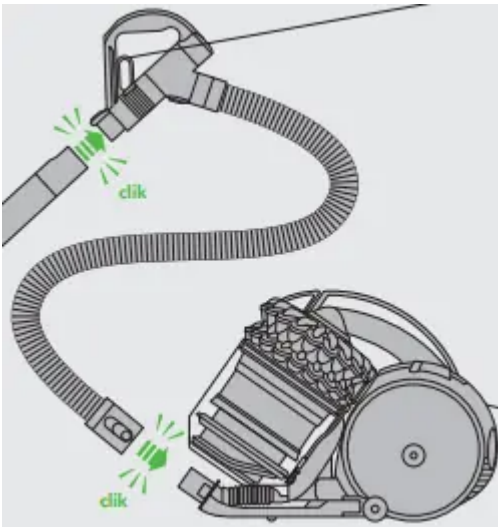


Cleaning the clear bin

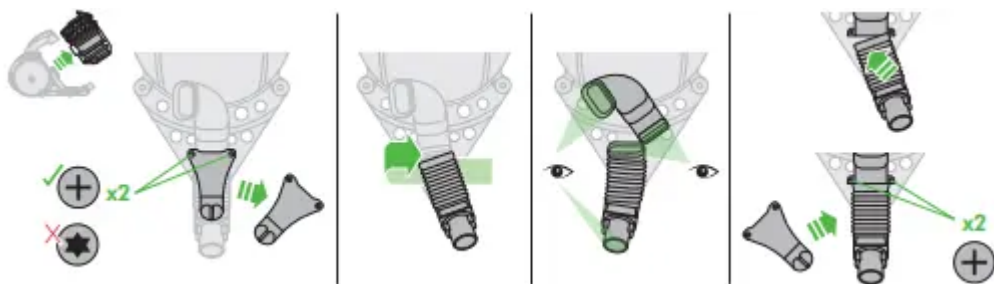
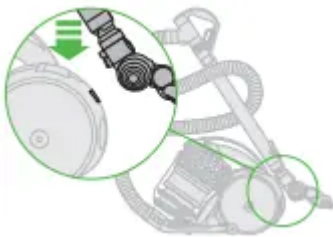
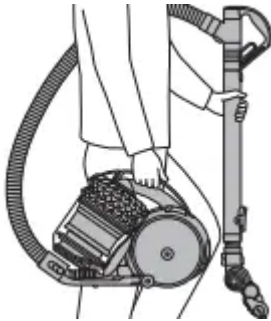


Suction release





Carrying & storage



USING YOUR DYSON MACHINE

Please read the 'Important Safety Instructions' in this Dyson Operating Manual before proceeding.

CARRYING THE MACHINE

- Carry the machine by the main handle on the body.

- Do not press the cyclone release button or shake the machine when carrying or the cyclone could disengage, fall off and cause injury

OPERATION

- Always extend the cord fully to the red tape before use.
- Plug the machine into the mains electricity supply.
- To switch 'ON' or 'OFF' press the red power button, located as shown.
- After use: unplug, retract the cord safely, put the machine away.
- Switch 'OFF' the machine, unplug and ensure it is upright before:
 - changing or using tools
 - removing the hose or airway inspection parts.

CARPETS OR HARD FLOORS

- The brush bar will always default to 'ON' (spinning) each time you switch the machine 'ON'.
- To reduce the speed of the brush bar (e.g. for delicate flooring and delicate hard floors), pull the suction release trigger on the handle.
- The brush bar will automatically stop if it becomes obstructed. See 'Brush bar – clearing obstructions'.
- Before vacuuming your flooring, rugs and carpets, check the manufacturer's recommended cleaning instructions.
- Some carpets may fuzz if a rotating brush bar is used when vacuuming. If this happens, we recommend pulling the suction release trigger to reduce brush bar spin.
- The brush bar on the machine may damage some carpet types and delicate hard flooring. If you are unsure, pull the suction release trigger to reduce brush bar spin. Alternatively, use an Articulating hard floor tool (available as an option).
- This product has carbon fiber brushes. Take care if coming into contact with them, as they may cause minor skin irritation. Wash your hands after handling the brushes.

LOOKING AFTER YOUR DYSON MACHINE

- Do not carry out any maintenance or repair work other than that shown and described in this Dyson Operating Manual, or advised by the Dyson Helpline.
- Only use parts recommended by Dyson. If you do not this may invalidate your warranty.
- Store the machine indoors. Do not use or store it below 37.4°F (3°C). Ensure the machine is at room temperature before operating.

- Clean the machine only with a dry cloth. Do not use any lubricants, cleaning agents, polishes or air fresheners on any part of the machine.
- If used in a garage, always wipe the base plate and ball with a dry cloth after vacuuming to clean off any sand, dirt, or pebbles that could damage delicate floors.

VACUUMING

- Do not use without the clear bin and cyclone in place.
- Do not use on rubble, ash or plaster. This machine is designed only for domestic use to remove household dirt, hair and allergens. The machine is not designed to be used on:
 - debris produced from activities such as DIY, building or similar tasks
 - larger types and quantities of dust or debris, such as soot and sawdust. These materials may harm the machine and may void your warranty.
- Fine dirt such as flour should only be vacuumed in very small amounts.
- Do not use the machine to pick up sharp hard objects, small toys, pins, paper clips, etc. They may damage the machine.
- When vacuuming, certain carpets may generate small static charges in the clear bin or wand. These are harmless and are not associated with the mains electricity supply. To minimize any effect from this (small static charge), do not put your hand or insert any object into the clear bin unless you have first emptied it and cleaned it with a damp cloth (see 'Cleaning the clear bin').
- Do not work with the machine above you on the stairs.
- Do not put the machine on chairs, tables, etc.
- Before vacuuming highly polished floors, such as wood or linoleum, first check that the underside of the floor tool and its brushes are free from foreign objects that could cause marking.
- Do not push hard with the floor tool when vacuuming, as this may cause damage.
- Do not leave the cleaner head in one place on delicate floors.
- On waxed floors the movement of the cleaner head may create an uneven luster. If this happens, wipe with a damp cloth, polish the area with wax, and wait for it to dry.
- To reduce suction (for example, when vacuuming rugs), pull the suction release trigger on the handle to reduce the airflow.

Do not use this machine outdoors. The Dyson Car Cleaning Kit (Model 08909) is intended for use only inside a garage.

Emptying the clear bin

- Empty as soon as the dirt reaches the level of the MAX mark – do not overfill.
- Switch 'OFF' and unplug before emptying the clear bin.
- To remove the cyclone and clear bin unit, push the release button to the side of the carrying handle, as shown. The carrying handle will be released.
- To release the dirt, press the red bin release button.
- To minimize dust/allergen contact when emptying, encase the clear bin tightly in a plastic bag and empty.
- Remove the clear bin carefully from the bag.
- Seal the bag tightly, dispose as normal.
- Close the clear bin base so it clicks into place and is secure.
- Place the clear bin and cyclone unit into position on the front of the main body of the machine. The recess in the base of the clear bin must fit onto the lug on the support bracket.
- Push the carrying handle down so it clicks into place on the top of the clear bin and cyclone unit. Ensure it is secure.

Cleaning the clear bin

- Remove cyclone and clear bin (see 'Emptying the clear bin').
- To separate the cyclone from the clear bin press the red bin release button to open the bin base. This exposes a small silver button behind the red opening mechanism.
- Press the small silver button on the cyclone. Separate the cyclone from the clear bin.
- Clean the clear bin with cold water only.
- Do not use detergents, polishes or air fresheners to clean the clear bin.
- Do not put the clear bin in a dishwasher.
- Do not immerse the whole cyclone in water or pour water into the cyclones.
- Clean the cyclone shroud with a cloth or the provided brush to remove any lint and dust.
- Ensure the clear bin is completely dry before replacing.
- To replace, first close the clear bin base so it clicks into place and is secure.
- Fit the clear bin onto the cyclone. To secure it, first fit the slot on the front rim of the clear bin onto the lug on the front of the cyclone; then push the rear of the clear bin into place so the silver button engages and clicks into place.
- Fit the cyclone and clear bin unit onto the machine (see 'Emptying the clear bin').

BLOCKAGES – THERMAL CUT-OUT

- This machine is fitted with an automatically resetting thermal cut-out.
- If any part becomes blocked the machine may overheat and automatically cut-out.
- If this happens, follow the instructions below in 'Looking for blockages'.
- NOTE: Large items may block the tools or wand inlet. If this happens, do not operate the wand release catch. Switch 'OFF' and unplug. Failure to do so could result in personal injury.



Looking for blockages

- Switch 'OFF' and unplug before looking for blockages. Failure to do so could result in personal injury.
- Leave to cool down for 1-2 hours before looking for blockages.
- Beware of sharp objects when checking for blockages.
- To access the flexible inspection hose beneath the clear bin, first remove the clear bin (see above).
- Unscrew the two Phillips screws on the clear bin locator bracket. (Do not remove any other screws.) Remove the bracket.
- Firmly twist the flexible inspection hose away from the inlet next to the ball (do not remove the end next to the connection for the main hose).
- Inspect for blockages.
- Clear any blockage before restarting.
- Refit all parts securely before using.
- Clearing blockages is not covered by your warranty.

Brush bar – clearing obstructions

- If your brush bar is obstructed, it may shut 'OFF'. If this happens you will need to remove the brush bar as shown.

- Switch 'OFF' and unplug before proceeding. Failure to do so could result in personal injury.
- Remove the brush bar by using a coin to loosen the fastener marked with a padlock until it clicks.
- Beware of sharp objects when clearing obstructions.
- Replace the brush bar and secure it by tightening the fastener until it clicks. Ensure it is fixed firmly before operating.
- Clearing brush bar obstructions is not covered by your warranty.
- This product has carbon fiber brushes. Take care if coming into contact with them, as they may cause minor skin irritation. Wash your hands after handling the brushes.

BRUSH BAR – TROUBLESHOOTING

- If the brush bar has stopped spinning, follow the instructions above on clearing obstructions. Alternatively, contact a Dyson expert on the Dyson Helpline or visit the website.

Warning

This content is compiled from multiple sources and is provided for reference purposes only. It may not be complete or fully applicable to all situations. If you are unable to resolve your issue, please contact the product manufacturer or an authorized service provider for official support.