

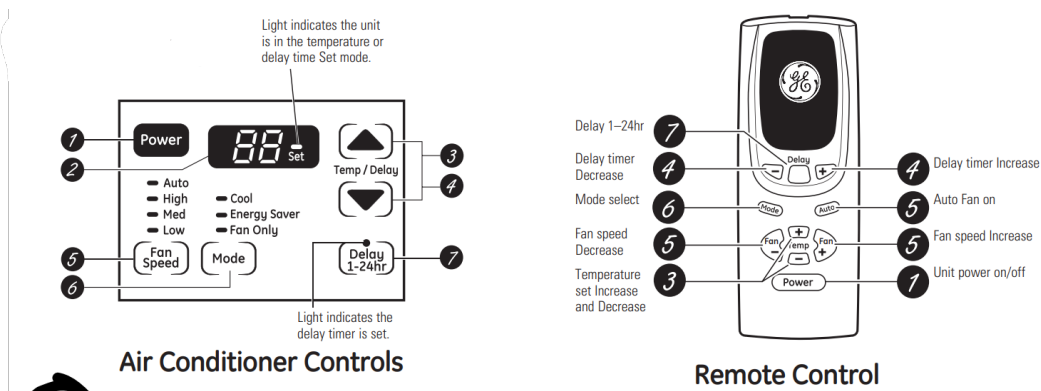
Operating Instructions

About the controls on the air conditioner .

Features and appearance will vary.

Lights next to the touch pads on the air conditioner control panel indicate the selected settings.

NOTE: The display always shows the room temperature except when setting the Set temperature or the Delay timer.



Controls

1. Power Pad: Turns air conditioner on and off . When turned on, the display will show the room temperature .
2. Display: Shows the room temperature or time remaining on the Delay timer . Shows the Set temperature while setting the temperature in Cool or Energy Saver modes . The Set light will turn on while setting .
3. Temp: Increase ▲ /Decrease ▼ Pads Use to set temperature when in Cool or Energy Saver mode . The Set light will turn on while setting .
4. Delay: Timer Increase ▲ (+) /Decrease ▼ (-) Pads Each touch of the Increase ▲ / Decrease ▼ pads on the unit or the Increase + / Decrease – pads on the remote control will set the delay time when using the Delay 1–24hr timer . The Set light will turn on while setting .
5. Fan Speed Pads: Use to set the fan speed to Low, Med, High or Auto on the unit . NOTE: On the remote control, use the fan speed Increase + / Decrease – pads to set the fan speeds to Low, Med or High . Use the Auto pad to turn Auto fan on .
6. Mode Pad :Use to set the air conditioner to Cool, Energy Saver or Fan Only mode .

7. Delay Pads

- Delay ON—When the air conditioner is off, it can be set to automatically come on in 1 to 24 hours at its previous mode and fan settings .
- Delay OFF—When the air conditioner is on, it can be set to automatically turn off in 1 to 24 hours .
- How to set:
 - Press the Delay 1–24hr pad on the unit or on the remote control . Each touch of the Increase ▲ / Decrease ▼ pads on the unit or the Increase + / Decrease – pads on the remote control will set the timer in 1-hour intervals . The Set light will turn on while setting .
 - To review the remaining time on the Delay 1–24hr timer, press the Delay 1–24hr pad on the unit or on the remote control . Use the Increase ▲ / Decrease ▼ pads on the unit or the Increase + / Decrease – pads on the remote control to set a new time if desired .
 - To cancel the timer, press the Delay 1–24hr pad until the light on the Delay 1–24hr pad goes off .

Note: The default temperature reading on the display is degree Fahrenheit (°F) . To change the display to degree Celcius (°C), press the Temp Increase ▲ and Temp Decrease ▼ buttons together and hold for 3 seconds . Repeat the process to change back to degree Fahrenheit (°F)

Cool Mode

- Use the Cool mode at Low, Med, High or Auto Fan Speed for cooling . Use the Temperature Increase ▲ / Decrease ▼ pads to set the desired temperature between 64°F and 86°F in 1°F increments .
- An electronic thermostat is used to maintain the room temperature . The compressor will cycle on and off to keep the room at the set level of comfort . Set the thermostat at a lower number and the indoor air will become cooler . Set the thermostat at a higher number and the indoor air will become warmer .
- NOTE: If the air conditioner is off and is then turned on while set to a Cool setting or if turned from a fan setting to a Cool setting, it may take approximately 3 minutes for the compressor to start and cooling to begin.

Cooling Descriptions

- For Normal Cooling—Select the Cool mode and High or Med fan with a middle set temperature .
- For Maximum Cooling—Select the Cool mode and High fan with a lower set temperature .

- For Quieter and Nighttime Cooling—Select the Cool mode and Low fan with a middle set temperature

Energy Saver Mode

- Controls the fan .
- ON—The fan will cycle on and off with the compressor . This results in wider variations of room temperature and humidity . Normally used when the room is unoccupied . NOTE: The fan may continue to run for a short time after the compressor cycles off.
- OFF—The fan runs all the time, while the compressor cycles on and off .

Fan Only Mode

- Use the Fan Only Mode at Low, Med or High fan speed to provide air circulation and filtering without cooling . Since fan-only settings do not provide cooling, a Set temperature cannot be entered . The room temperature will appear in the display .

NOTE: Auto Fan Speed cannot be used when in the Fan Only Mode

Auto Fan Speed

- Set to Auto fan speed for the fan speed to automatically set to the speed needed to provide optimum comfort settings with the set temperature .
- If the room needs more cooling, the fan speed will automatically increase . If the room needs less cooling, the fan speed will automatically decrease .

NOTE: Auto Fan Speed cannot be used when in the Fan Only Mode.

Remote Control

- To ensure proper operation, aim the remote control at the signal receiver on the air conditioner .
- Make sure nothing is between the air conditioner and the remote control that could block the signal .
- The remote control signal has a range of up to 20 feet .
- Make sure batteries are fresh and installed correctly as indicated on the remote control .
- Remote contains a magnet allowing it to attach to metal surfaces

Power Outage Recovery Feature

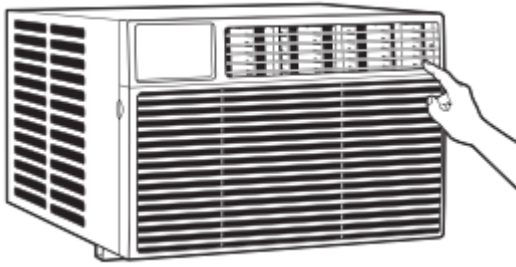
- In the case of a power outage or interruption, the unit will automatically re-start in the settings last used after the power is restored . If the Delay 1–24hr feature was set, it will resume countdown . You may need to set a new time if desired

About the controls on the air conditioner

- Additional important information.

Air Direction

- Use the lever to adjust the air direction left and right only



Care and Cleaning

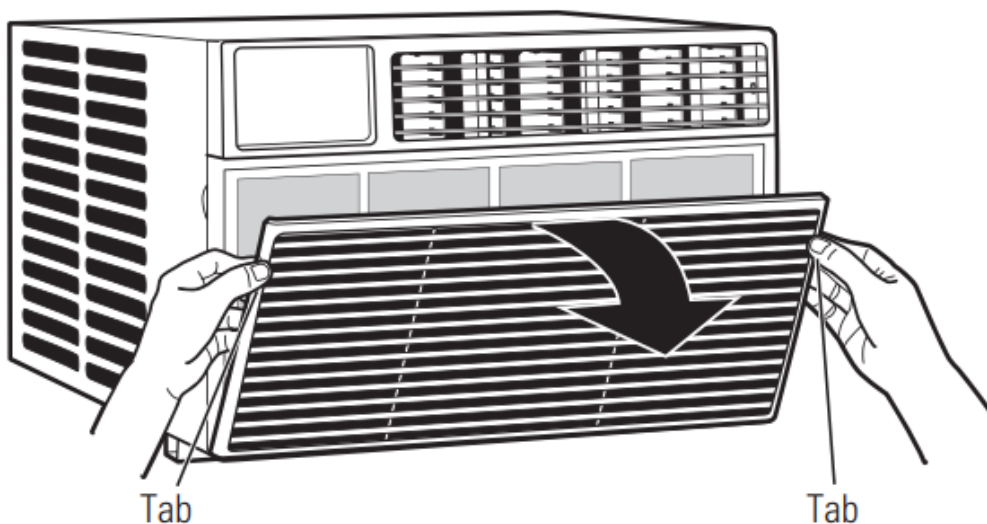
Grille and Case

- Turn the air conditioner off and remove the plug from the wall outlet before cleaning .
- To clean, use water and a mild detergent . Do not use bleach or abrasives

Air Filter

The air filter behind the front grille should be checked and cleaned at least every 30 days or more often if necessary .

To remove:



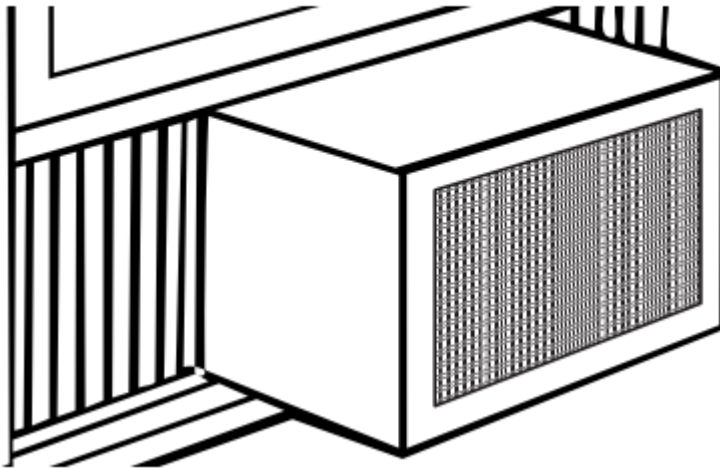
- Open the inlet grille by pulling downward on the tabs at the top upper corners of the inlet grille until the grille is in a 45° position . Remove the filter .

- Clean the filter with warm, soapy water . Rinse and let the filter dry before replacing it .
Do not clean the filter in a dishwasher .

CAUTION: DONOT operate the air conditioner without a filter because dirt and lint will clog it and reduce performance.

Outdoor Coils

- The coils on the outdoor side of the air conditioner should be checked regularly . If they are clogged with dirt or soot, they may be professionally cleaned .



How to Insert the Batteries in the Remote Control

1. Remove the battery cover by sliding it according to the arrow direction .
2. Insert new batteries, making sure that the (+) and (-) of battery are installed correctly .
3. Reattach the cover by sliding it back into position

NOTES:

- Use 2 “AAA” (1 .5 volt) alkaline batteries . Do not use rechargeable batteries .
- Remove the batteries from the remote control if the system is not going to be used for a long time .
- Do not mix old and new batteries . Do not mix alkaline, standard (carbon-zinc) or rechargeable (ni-cad, ni-mh, etc) batteries

Installation Instructions






BEFORE YOU BEGIN

Read these instructions completely and carefully.

- **IMPORTANT** — Save these instructions for local inspector's use.
- **IMPORTANT** — Observe all governing codes and ordinances.
- **Note to Installer** – Be sure to leave these instructions with the Consumer.
- **Note to Consumer** – Keep these instructions for future reference.
- **Skill level** – Installation of this appliance requires basic mechanical skills .
- **Completion time** – Approximately 1 hour
- We recommend that two people install this product.
- Proper installation is the responsibility of the installer .
- Product failure due to improper installation is not covered under the Warranty .
- You **MUST** use all supplied parts and use proper installation procedures as described in these instructions when installing this air conditioner

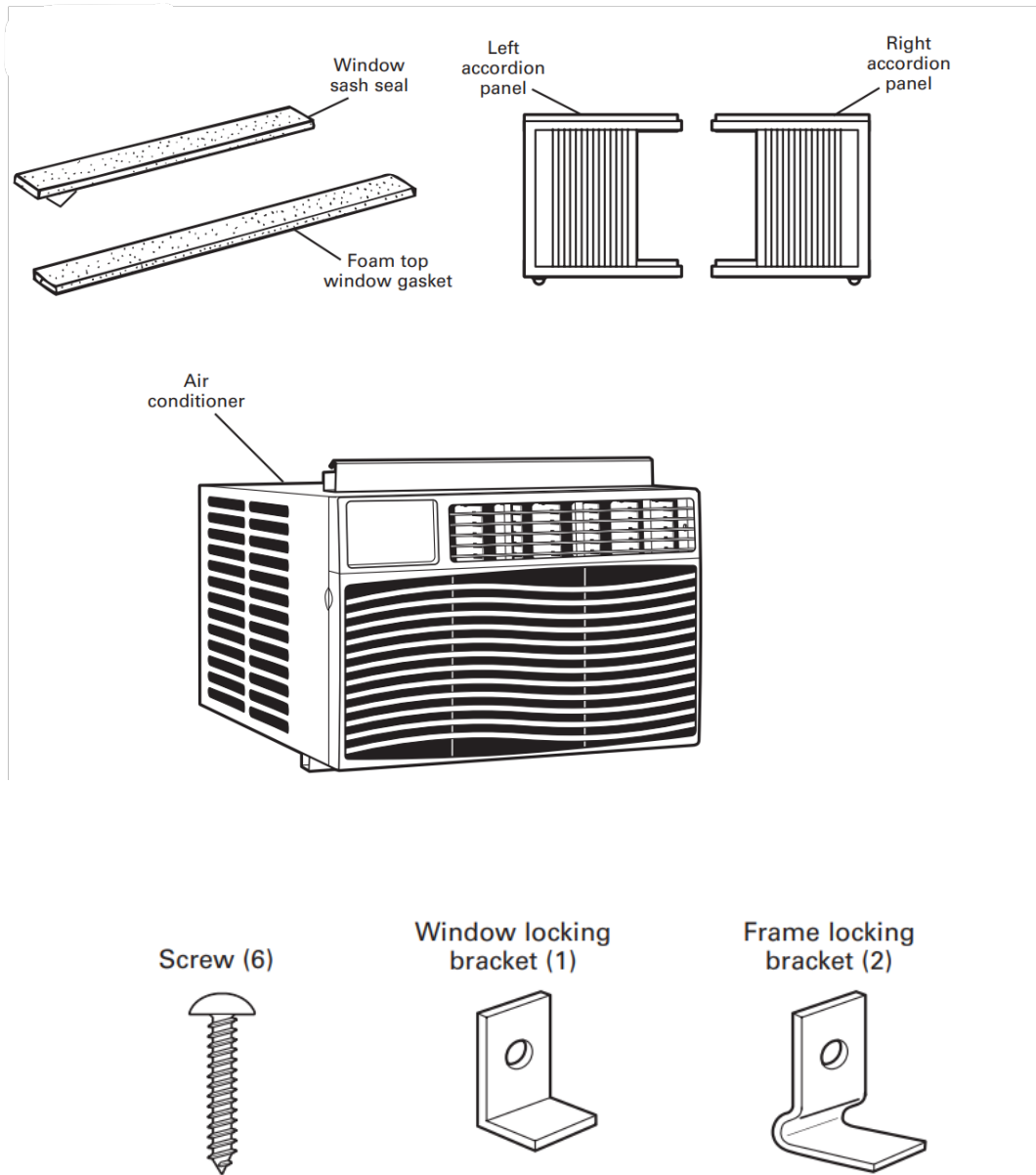


ELECTRICAL REQUIREMENTS

-  Some models require a 115/120-volt AC, 60-Hz grounded outlet protected with a 15-amp time-delay fuse or circuit breaker . The 3-prong grounding plug minimizes the possibility of electric shock hazard . If the wall outlet you plan to use is only a 2-prong outlet, it is your responsibility to have it replaced with a properly grounded 3-prong wall outlet .
- 
 Some models require 230/208-volt AC, protected with a time-delay fuse or circuit breaker . These models should be installed on their own single branch circuit for best performance and to prevent overloading house or apartment wiring circuits, which could cause a possible fire hazard from overheating wires

CAUTION: Do not, under any circumstances, cut or remove the third (ground) prong from the power cord. Do not change the plug on the power cord of this air conditioner. Aluminum house wiring may present special problems—consult a qualified electrician.

PARTS INCLUDED (Appearance may vary)



1. WINDOW REQUIREMENTS

- These instructions are for a standard double-hung window . You will need to modify them for other types of windows .
- The air conditioner can be installed without the accordion panels if needed to fit in a narrow window . See the window opening dimensions .
- All supporting parts must be secured to firm wood, masonry or metal .
- The electrical outlet must be within reach of the power cord .

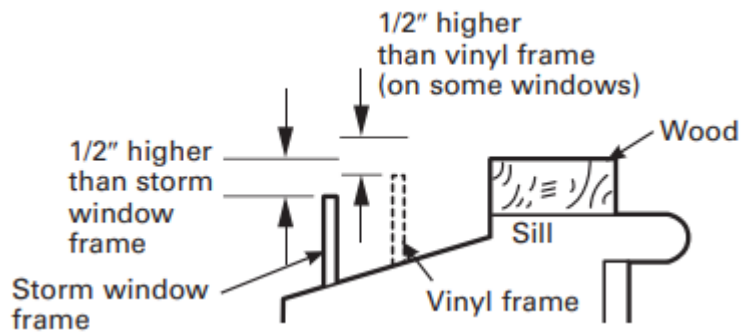
2. STORM WINDOW REQUIREMENTS

A storm window frame will not allow the air conditioner to tilt toward the outside, and will keep it from draining properly .

To adjust for this, attach a piece of wood to the sill .

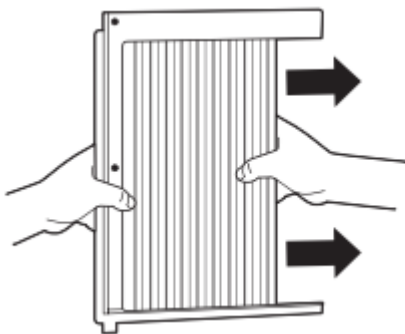
WOOD PIECES

- WIDTH: 2" LENGTH: Long enough to fit inside the window frame .
- THICKNESS: To determine the thickness, place a piece of wood on the sill to make it 1/2" higher than the top of the storm window frame or the vinyl frame .
- Attach securely with nails or screws provided by the installer



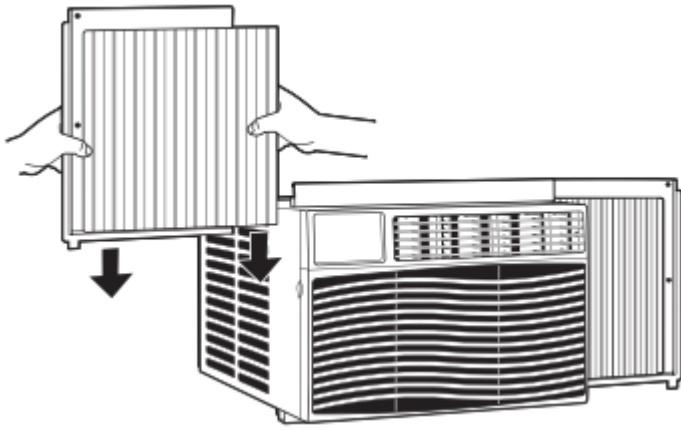
3. PREPARE THE AIR CONDITIONER

A. Hold the accordion panel in one hand and gently pull back to free the open end

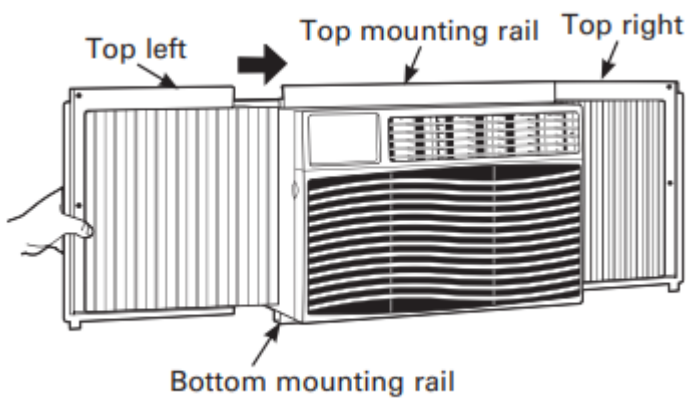


B. Slide the free end of the accordion panel into the side panel rails . Slide the panel down . Be sure to leave enough space to slip the top and bottom of the frame into the rails on the cabinet .

NOTE: There is a right and a left accordion panel . Be sure to use the proper panel for each side

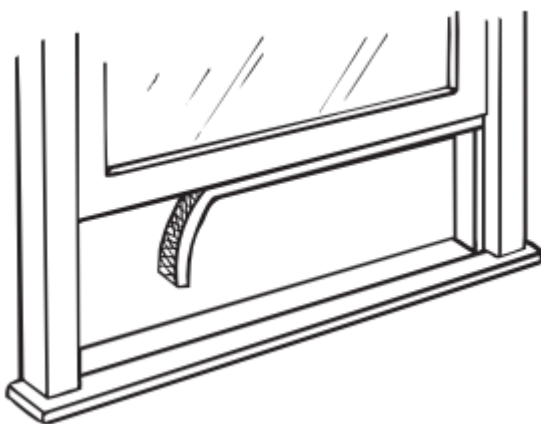


C. Slide the left and right accordion panels into the top and bottom mounting rails



4. PREPARE THE WINDOW

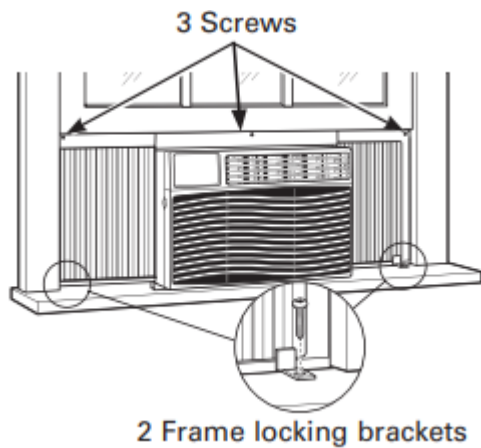
- Cut the window sash seal to the proper length. Peel off the backing and attach the seal to the underside of the window sash.



5. INSTALL THE AIR CONDITIONER IN THE WINDOW

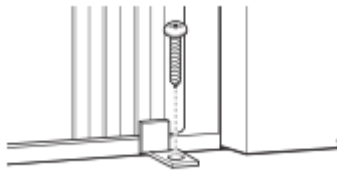
A. Place the air conditioner on the sill with the bottom mounting rail against its back edge . Center it and close the window securely behind the top mounting rail . It should be level or

slightly tilted to the outside . Use a level; about a 1/3 bubble will be the correct case slant to the outside



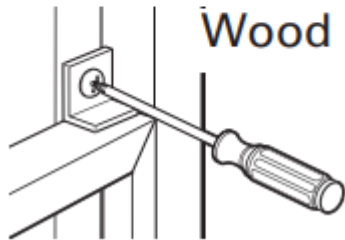
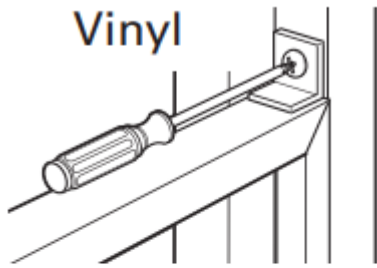
B. Extend the left and right accordion panels to the vertical window sashes and attach 3 screws through the holes in the upper panels, as appropriate .

C. Install the frame locking brackets between the bottom of the accordion panel and the window sill . Attach with 2 screws . NOTE: To prevent the window sill from splitting, drive the pilot holes before driving the screws



6. INSTALL SUPPORT BRACKET AND FOAM TOP WINDOW GASKET

A. CAUTION: To prevent broken glass or damage to windows, on vinyl or other similarly constructed windows, attach the window locking bracket to the window side jamb with one screw.



B. Cut the foam top window gasket to the window width .



C. Stuff the foam between the glass and the window to prevent air and insects from getting into the room . NOTE: If the gasket supplied does not fit your window, obtain appropriate material locally to provide a proper installation seal .

Troubleshooting Tips



Problem	Possible Causes	What To Do
Air conditioner does not start	The air conditioner is unplugged.	<ul style="list-style-type: none"> • Make sure the air conditioner plug is pushed completely into the outlet
	The fuse is blown/ circuit breaker is tripped.	<ul style="list-style-type: none"> • Check the house fuse/circuit breaker box and replace the fuse or reset the breaker
	Power failure.	<ul style="list-style-type: none"> • The unit will automatically re-start in the settings last used after the power is restored . • There is a protective time delay (approximately 3 minutes) to prevent tripping of the compressor overload . For this reason, the unit may not start normal cooling for 3 minutes after it is turned back on
	The current interrupter device is tripped.	<ul style="list-style-type: none"> • Press the RESET button located on the power cord plug • If the RESET button will not stay engaged, discontinue use of the air conditioner and contact a qualified service technician
Air conditioner does not cool as it should	Airflow is restricted.	<ul style="list-style-type: none"> • Make sure there are no curtains, blinds or furniture blocking the front of the air conditioner
	The temp control may not be set correctly	<ul style="list-style-type: none"> • On models with touch pads: In the Cool mode, press the Decrease ▼ pad • On models with control knobs, turn the temperature knob to a higher number .



	The air filter is dirty	<ul style="list-style-type: none"> • Clean the filter at least every 30 days. See the Care and Cleaning section
	The room may have been hot.	<ul style="list-style-type: none"> • When the air conditioner is first turned on, you need to allow time for the room to cool down
	Cold air is escaping.	<ul style="list-style-type: none"> • Check for open furnace registers and cold air returns.
	Cooling coils have iced	<ul style="list-style-type: none"> • See “Air conditioner freezing up” below
Air conditioner freezing up	Ice blocks the air flow and stops the air conditioner from cooling the room.	<ul style="list-style-type: none"> • On models with control knobs, set the mode control at High Fan or High Cool with the Temp at 1 or 2 • On models with touch pads, set the controls at High Fan or High Cool and set the thermostat to a higher temperature
The remote control is not working	The batteries are inserted incorrectly.	<ul style="list-style-type: none"> • Check the position of the batteries. They should be inserted in the opposite (+) and (–) direction
	The batteries may be dead.	<ul style="list-style-type: none"> • Replace the batteries
Water drips outside	Hot, humid weather	<ul style="list-style-type: none"> • This is normal
Water drips indoors	The air conditioner is not tilted to the outside.	<ul style="list-style-type: none"> • For proper water disposal, make sure the air conditioner slants slightly from the case front to the rear
Water collects in base pan	Moisture removed from air and	

	drains into base pan.	<ul style="list-style-type: none">• This is normal for a short period in areas with little humidity; normal for a longer period in very humid areas
--	-----------------------	---

Normal Operating Sounds

- You may hear a pinging noise caused by water being picked up and thrown against the condenser on rainy days or when the humidity is high . This design feature helps remove moisture and improve efficiency .
- You may hear the thermostat click when the compressor cycles on and off .
- Water will collect in the base pan during high humidity or on rainy days . The water may overflow and drip from the outdoor side of the unit .
- The fan may run even when the compressor does no

Warning

This content is compiled from multiple sources and is provided for reference purposes only. It may not be complete or fully applicable to all situations. If you are unable to resolve your issue, please contact the product manufacturer or an authorized service provider for official support.