

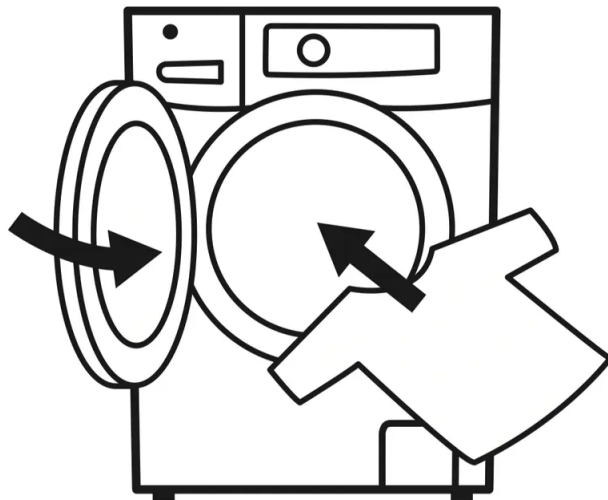
USING THE WASHER

Getting started

WARNING: To reduce the risk of fire, electric shock, or injury to persons, read the IMPORTANT SAFETY INFORMATION before operating this appliance.

Throughout this manual, features and appearance may vary from your model.

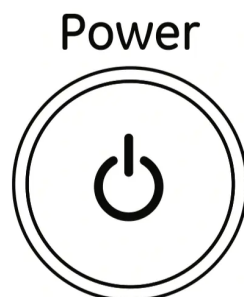
Step 1



- Loosely add items. Overloading may negatively impact wash performance. See page 12 for suggested loading examples.
- Close door.

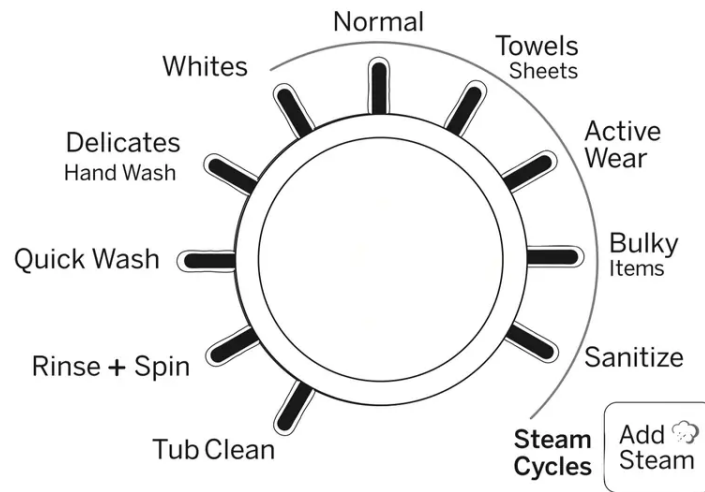
NOTE: Washer will not start with door open.

Step 2

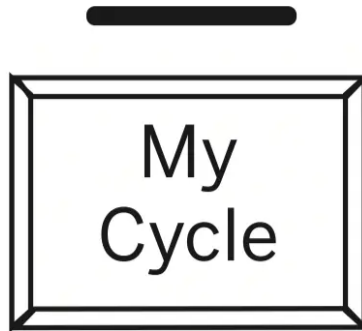


- Press Power button to turn on the washer.

Step 3



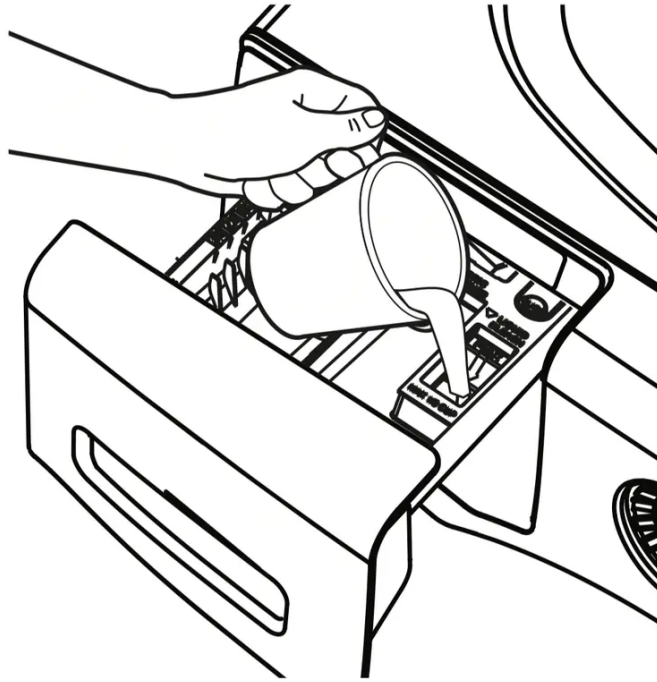
- Turn the knob to the desired cycle or use My Cycle (on some models) to program or recall your favorite cycle.



Step 4

- Open the dispenser and add detergent, bleach and fabric softener, as desired.

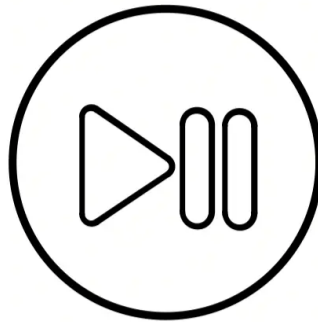




- GE Appliances recommends the use of High Efficiency detergents such as in your energy efficient washer. Place detergent pods in the bottom of the wash basket before adding clothes.

Step 5

Start / Pause

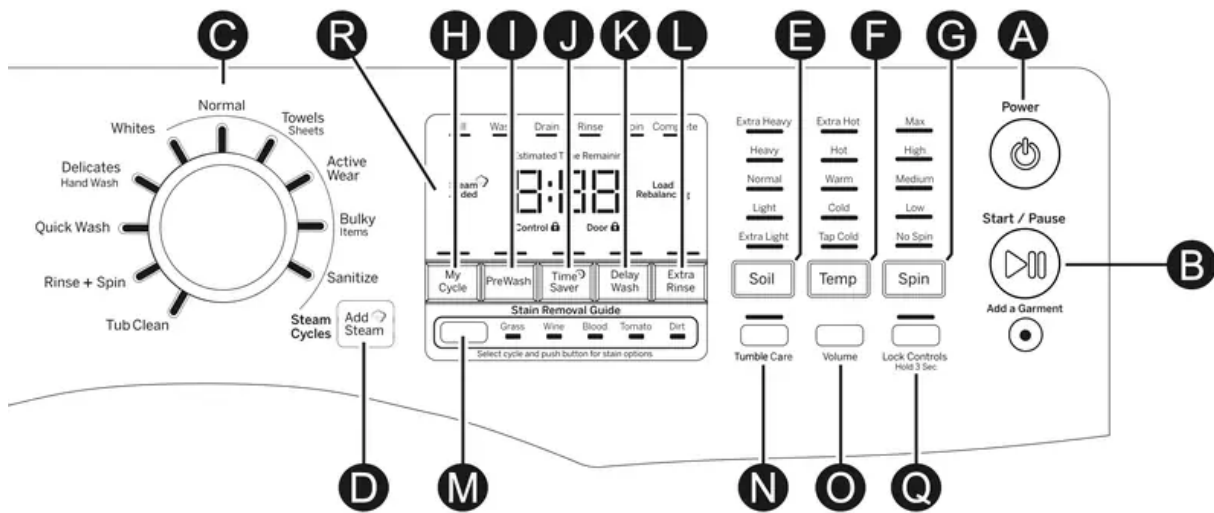


- Press Start to begin the wash cycle. The machine will weigh your clothes and add the proper amount of water. When the wash cycle is finished, the door will unlock.

Controls

You can locate your model number on a label on the side of the washer or inside the washer door.

Models: GFWS1705, GFWS1700, GFWN1600, GFW450 and GFW430 (features vary by model)



A. Power

Press to “wake up” the display. If the display is active, press to put the washer into standby mode.
NOTE: Pressing Power does not disconnect the appliance from the power supply.

B. Start/Pause-Add A Garment

Press to start a wash cycle. If the washer is running, pressing it once will pause the washer and unlock the door. It will take a few seconds for the door to unlock after pressing Pause. Press again to restart the wash cycle.

NOTE: If the washer is paused and the cycle is not restarted within 15 minutes, the current wash cycle will be cancelled.

NOTE: In some cycles the washer will drain first, then unlock the door when it is paused.

NOTE: The washer performs automatic system checks after pressing the Start button. Water will flow in 45 seconds or less. You may hear the door lock and unlock before water flows; this is normal.

C. Wash Cycles

The wash cycles are optimized for specific types of wash loads.

The chart below will help you match the items to be washed with the best wash cycle settings. For optimal performance, select the cycle that most closely matches the items being washed. Selections and options shown in bold are the suggested settings for that cycle.

*Some cycles and options may not be available on some models.



Items to Wash	Cycle	Soil Level	Wash Temp	Spin Selection	Options Available	Cycle Details
Cycle for normal, regular, or typical use for washing up to a full load of normally soiled cotton clothing.	Normal*	Ex. Heavy Heavy Normal Light Ex. Light	Extra Hot Hot Warm Cold Tap Cold	Max High Medium Low No Spin	Stain Removal Guide Prewash or Presoak Add Steam Time Saver Extra Rinse Delay Wash	Cycle for normal, regular, or typical use for washing up to a full load of normally soiled cotton clothing. Choose the Heavy or Extra Heavy soil level selection and Warm or Hot water temperature selection as appropriate for your clothes load for a higher degree of cleaning.
Whites and household linens.	Whites	Ex. Heavy Heavy Normal Light Ex. Light	Extra Hot Hot Warm Cold Tap Cold	Max High Medium Low No Spin	Stain Removal Guide Prewash or Presoak Add Steam Time Saver Extra Rinse Delay Wash	Cycle tailored to clean and brighten your whites.
Towels, sheets, pillowcases and dish rags.	Towels/ Sheets*	Ex. Heavy Heavy Normal Light Ex. Light	Extra Hot Hot Warm Cold Tap Cold	Max High Medium Low No Spin	Stain Removal Guide Prewash or Presoak Add Steam Time Saver Extra Rinse Delay Wash	Cycle designed for washing towels, sheets, pillowcases and dish rags. It is recommended that towels and sheets be washed separately for best care and washing performance.
Lingerie and special care fabrics with light soil.	Delicates/ Hand Wash	Ex. Heavy Heavy Normal Light Ex. Light	Warm Cold Tap Cold	High Medium Low No Spin	Stain Removal Guide Prewash or Presoak Time Saver Extra Rinse Delay Wash	For lightly soiled items labeled hand-washable. Provides gentle tumbling and soak during wash and rinse.
Small loads of lightly soiled items that are needed in a hurry.	Quick Wash or Speed Wash	Ex. Heavy Heavy Normal Light Ex. Light	Hot Warm Cold Tap Cold	Max High Medium Low No Spin	Stain Removal Guide Prewash or Presoak Extra Rinse Delay Wash	For cleaning lightly soiled loads in the fastest time possible. Cycle time is approximately 30 minutes, depending on selected options.



Items to Wash	Cycle	Soil Level	Wash Temp	Spin Selection	Options Available	Cycle Details
Medium to lightly soiled athletic wear items of technical or synthetic fabrics.	Active Wear*	Ex. Heavy Heavy Normal Light Ex. Light	Hot Warm Cold Tap Cold	Max High Medium Low No Spin	Stain Removal Guide Prewash or Presoak Add Steam Time Saver Extra Rinse Delay Wash	Cycle designed for care of medium to lightly soiled active wear, athletic wear and technical fabrics.
Large coats, bed spreads, mattress covers, sleeping bags, and similar large bulky items.	Bulky Items or Bulky/ Bedding	Ex. Heavy Heavy Normal Light Ex. Light	Hot Warm Cold Tap Cold	Max High Medium Low No Spin	Stain Removal Guide Prewash or Presoak Add Steam Time Saver Extra Rinse Delay Wash	Cycle for care of large bulky items. Incorporates intermittent soak periods in main wash to effectively treat soils and odors.
Heavily soiled colorfast items.	Sanitize*	Ex. Heavy Heavy Normal Light Ex. Light	Extra Hot	Max High Medium Low No Spin	Add Steam Extra Rinse Delay Wash	Use this cycle to eliminate 99.9% of bacteria from fabrics. Cycle uses an increased water temperature and a longer wash cycle to provide the sanitization benefit. A pump purge and longer rinse is incorporated to remove contaminants. For best results, select the Extra Heavy soil selection if available.
Heavily soiled colorfast items.	Sanitize with Oxi*	Ex. Heavy Heavy Normal Light Ex. Light	Extra Hot	Max High Medium Low No Spin	Extra Rinse Delay Wash	Use this cycle to eliminate 99.9% of bacteria from fabrics. Be certain to add an oxi product and detergent in the amount per manufacturer's recommendations directly to wash tub before the load. A pump purge and extended rinse is incorporated to remove contaminants.
For items that need only to be rinsed, use this cycle.	Rinse + Spin*			Max High Medium Low No Spin	Extra Rinse Delay Wash	To quickly rinse and spin out any items at any time. Utilizes a high speed spin to extract water from wet items. To achieve a drain and spin, deselect the Extra Rinse option. This cycle will not dispense fabric softener and bleach.
Wet load of items. For items that need only to be spun out use this cycle.	Drain + Spin*			Max High Medium Low No Spin	Extra Rinse Delay Wash	Utilizes a high speed spin to extract water from wet items. For items that need to be rinsed, select the Extra Rinse option. This cycle will not dispense fabric softener and bleach.
Cleaning the tub of residue and odor. No clothes to be washed using this cycle.	Tub Clean					Recommended use of at least once per month to clean the tub of residue and odor. Never load laundry when using this cycle; laundry may become damaged. Cycle incorporates a hot extended wash, intense agitation action and a flush out of the pump.

NOTE: The **Sanitize** and **Sanitize With Oxi** cycle water temperature CANNOT be changed.

Sanitize and **Sanitize With Oxi** cycles have been verified to reduce 99.9% of bacteria typically found in residential laundry, and no significant contamination is transferred to subsequent washer loads.

The **Sanitize with Oxi** cycle, when using an Oxi additive along with your detergent, is designed to remove 99.9% of bacteria found in home laundry. Measure the detergent and the Oxi products carefully. Using the amount appropriate for a large heavily soiled load, follow the detergent and the Oxi product label instructions. Place the Oxi product directly in the bottom of the wash tub, before adding the clothes. The washer hot water supply connection must provide a minimum of 120°F to ensure the effectiveness of this cycle.



D. Add Steam (on some models)



Add Steam adds steam into the washer to assist with loosening stains on the **Whites, Colors/Normal, Towels/Sheets, Active Wear, Bulky Items** or **Sanitize** cycles.

To use:

1. Turn power ON and select a wash cycle.
2. Select the Add Steam button to activate steam.
3. Press the Start/Pause button.

E. Soil

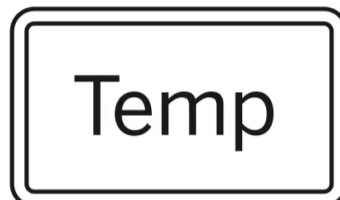


(appearance will vary)

Change the **Soil** level to increase or decrease the wash time to remove different amounts of soil.

To change the **Soil** level, press the **Soil** level button until you have reached the desired setting. You can choose between Extra Light, Light, Normal, Heavy or Extra Heavy soil levels.

F. Temp



(appearance will vary)

Adjust to select the proper main water temperature for the wash cycle. The **PreWash** rinse water is always cold to help reduce energy usage and reduce setting of stains and wrinkles.

Follow the fabric manufacturer's care label when selecting the wash temperature.

To change the wash temperature, press the wash **Temp** button until you have reached the desired setting. You can choose between Tap Cold, Cold, Warm, Hot or Extra Hot (Extra Hot is available on some models). By design, to protect fabrics, not all wash temperatures are available for certain wash cycles.

NOTE: The first 10 seconds of the wash fill is always cold. This feature assists in conditioning the fabric and preventing stains from setting on garments.

G. Spin



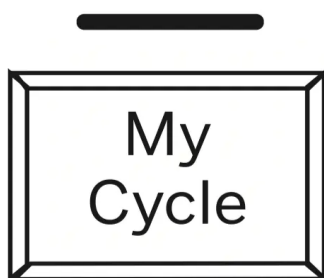
(appearance will vary)

Changing the **Spin** speed changes the final spin speed of the cycles. Always follow the garment manufacturer's care label when changing the **Spin** speed.

To change the **Spin** speed, press the **Spin** speed button until you have reached the desired setting. You can choose between No Spin, Low, Medium, High or Max. Higher spin speeds are not available on certain cycles, such as **Delicates**.

Higher spin speeds remove more water from the clothes and will help reduce dry time, but may also increase the possibility of setting wrinkles on some fabrics.

H. My Cycle (on some models)



To save a favorite cycle, set the desired settings for wash cycle, soil level, spin speed and wash temp settings and hold down the **My Cycle** button for 3 seconds. A beep will sound to indicate the cycle has been saved.

To use your custom cycle, press the **My Cycle** button before washing a load.

To change the saved cycle, set the desired settings and hold down the **My Cycle** button for 3 seconds.

NOTE: When using **My Cycle**, wash options cannot be modified after the cycle has been started.

NOTE: If you change wash options with **My Cycle** before starting the cycle, the **My Cycle** light will turn off and you will be returned to the base cycle.

I. PreWash (on some models)



Prewash is an extra wash before the main wash. Use it for heavily soiled clothes or for clothes with a care label that recommends prewashing before washing. Be sure to add liquid or powder high-efficiency detergent, or the proper wash additive to the prewash dispenser.

PreWash must be selected prior to pressing **Start**.

The **PreWash** feature will fill the washer with cold water (adding the prewash detergent), tumble the clothes, drain and spin. Then the washer will run the selected wash cycle.

NOTE: In some special cycles, the prewash is selected automatically as the default. You can modify this selection at any time.

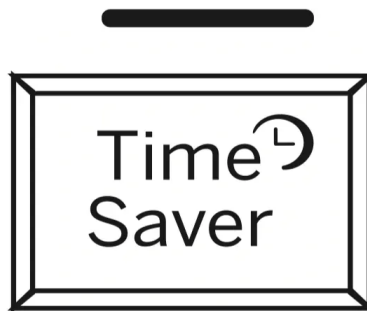
I. PreSoak (on some models)



For soaking your garments prior to the wash cycle. This option begins with a brief tumble and then proceeds to soak the clothes with water and detergent for a specified period of time. Once complete, the cycle will begin automatically. **PreSoak** must be selected prior to pressing Start.

The **PreSoak** time will add an additional 30 minutes to the overall wash time. High-efficiency detergent from the main wash compartment in the dispenser is used for the **PreSoak** period and main wash cycle.

J. Time Saver (on some models)

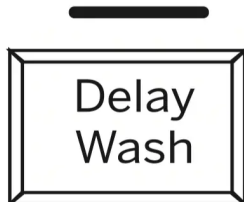


This option reduces the overall washer cycle time by optimizing the wash, rinse and spin actions and/or gently raising the wash temperature to get clothes cleaned faster. Option is available on **Normal, Whites, Towels/Sheets, Delicates, Bulky Items** and **Active Wear** cycles. Total wash time will vary based on cycle chosen and options selected.

To use:

1. Turn power on and select a wash cycle which has **Time Saver** as an option.
2. Make any adjustments to **Soil, Temp** and **Spin** as desired.
3. Press the **Time Saver** button to reduce the overall wash time.
4. Press the **Start/Pause** button.

K. Delay Wash



or



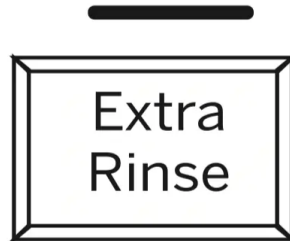
**(depending
on model)**

You can delay the start of a wash cycle for up to 24 hours. Press the **Delay Wash** button to choose the amount of time you want to delay the start of the wash cycle. Once the desired time is reached, press the **Start** button. The machine will count down and start automatically at the correct time.

NOTE: If you forget to fully close the door, a reminder signal will beep reminding you to do so.

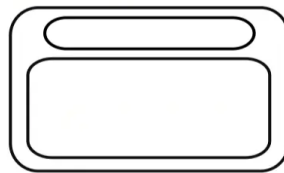
NOTE: If you open the door when the delay is counting down, the machine will enter the pause state. You must close the door and press **Start** again in order to restart the countdown.

L. Extra Rinse



or

Extra Rinse

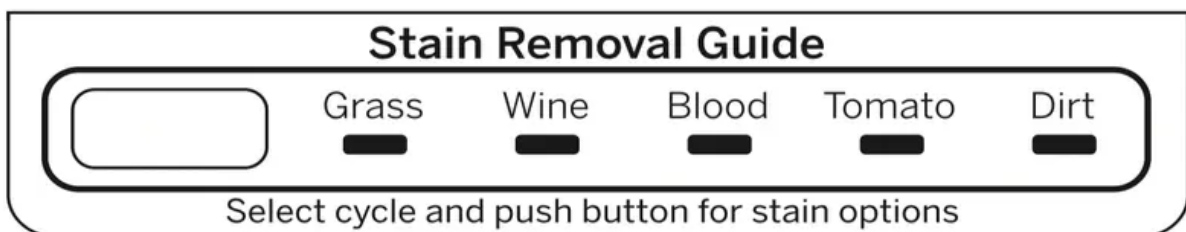


**(depending
on model)**

This option allows for an extra rinse during a cycle to remove excess dirt and detergent from soiled loads.

On models with **Rinse + Spin** cycle, a drain and spin cycle can be achieved by pressing the **Extra Rinse** button until the light is no longer illuminated.

M. Stain Removal Guide (on some models)



The Stain Removal Guide is pre-programmed with the ideal wash and rinse settings to tackle five common stains. To use this feature, select the desired wash cycle and then press the Stain

Removal Guide button until the stain you want to remove is highlighted. Next, press the Start button.

For some stains, a prewash will be selected automatically. If desired, add detergent or wash additive to the prewash dispenser. Add Steam cannot be selected along with this feature.

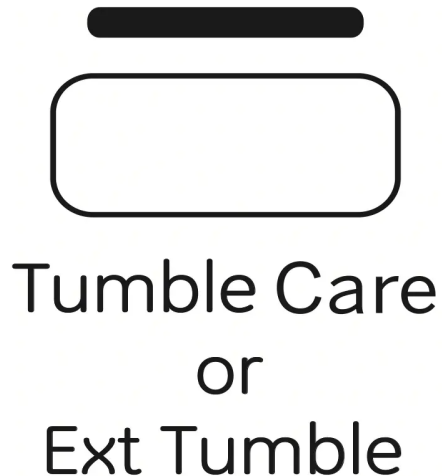
Stain Wash (on some models)



The Stain Wash modifier can be used with all cycles except Rinse + Spin and Tub Clean and is preprogrammed with the ideal wash and rinse settings to tackle common stains. To use this feature, select the desired wash cycle and then press the Stain Wash button.

Once selected, press the Start button to start the cycle. For some stains, a PreSoak will be selected automatically.

N. Tumble Care or Extended Tumble (on some models)



Freshly tumbles your garments periodically for up to 8 hours after the wash cycle is complete to lessen the setting of wrinkles and creases when you are not able to move clothing to the dryer right away.

At the end of the cycle, the display will scroll "END" and after ten minutes the **Tumble Care** or **Extended Tumble** will begin. It can be stopped at any time by pressing the **Power** button.

NOTE: The **Tumble Care** or **Extended Tumble** option cannot be added to the **My Cycle** feature.

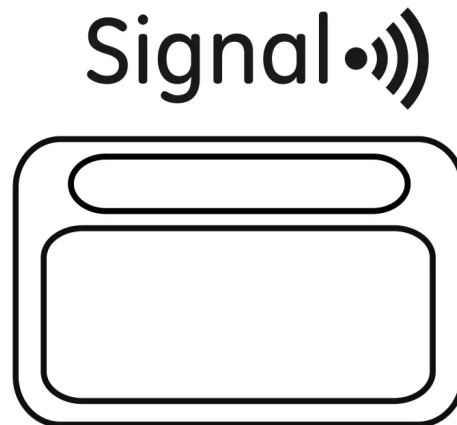
O. Volume (on some models)



This button has two functions:

- To change the loudness of the end of cycle signal, press the button as many times as needed to reach the desired volume. There are four sound levels including OFF.
- To turn the button sounds ON/OFF, press and hold the button for 3 seconds.

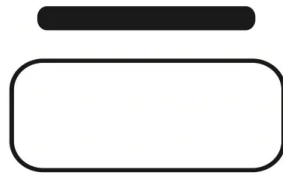
P. Cycle Signal (on some models)



Use the Signal pad to change the volume of the end of cycle signal.

Press the pad until you reach the desired volume.

Q. Lock Controls or Lock (depending on model)



Lock Control
Hold 3 Sec

or



Hold 3 Seconds To
Lock/Unlock Controls

(depending
on model)

You can lock the controls to prevent any selections from being made. Or you can lock or unlock the controls after you have started a cycle.

Children cannot accidentally start the washer by touching buttons with this option selected. To lock the washer, press and hold the **Lock Controls** or **Lock** button for 3 seconds.

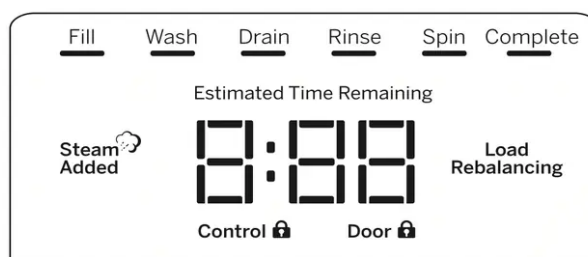
To unlock the washer controls, press and hold the **Lock Controls** or **Lock** button for 3 seconds.

A sound is made to indicate the lock/unlock status.

The indicator light above the button will illuminate when the controls are locked.

NOTE: The **Power** button can still be used when the machine is locked.

R. Display



(appearance will vary
and not all features
on all models)

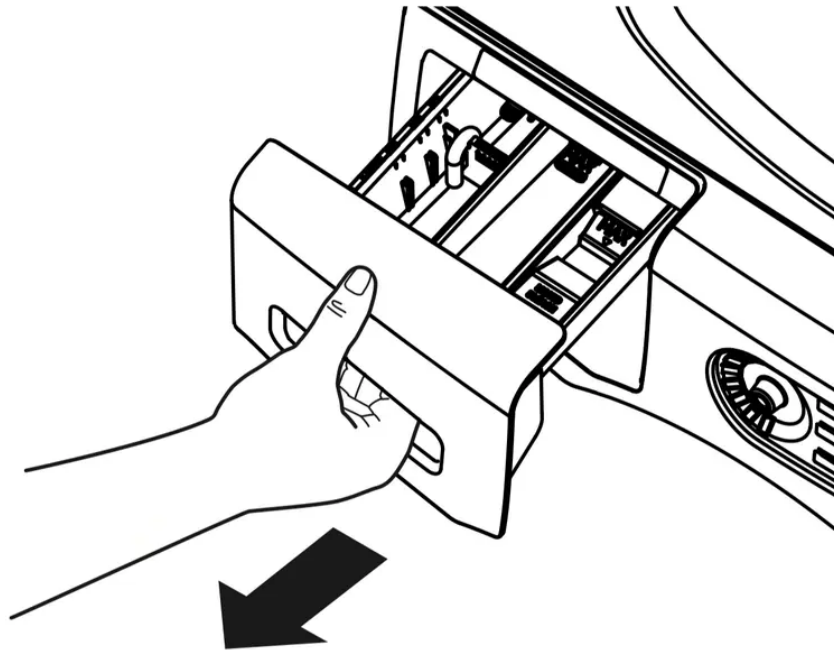
Displays the approximate time remaining until the end of the cycle.

NOTE: The cycle time is affected by the water pressure in your home and the balance of the load in the washer. You may see the time remaining on the display increase to accommodate a slower spin speed to handle unbalanced loads.

On some models, cycle status is also displayed and certain features such as **Delay Wash** or **Steam** are shown indicating they have been selected.

If an out-of-balance condition is detected by the washer, the **Spin** light will blink during the remaining portion of the cycle and will stay illuminated for a short time after cycle completion. On some models, there is also a “Load Rebalancing” message displayed. When this occurs, the washer is taking actions to correct the out-of-balance condition and complete the cycle normally. In some cases, the washer may not be able to balance the load and spin up to full speed. If you notice the load is more wet than usual at the end of the cycle, redistribute the load evenly in the wash tub and run a **Drain + Spin** cycle.

Dispenser Drawer

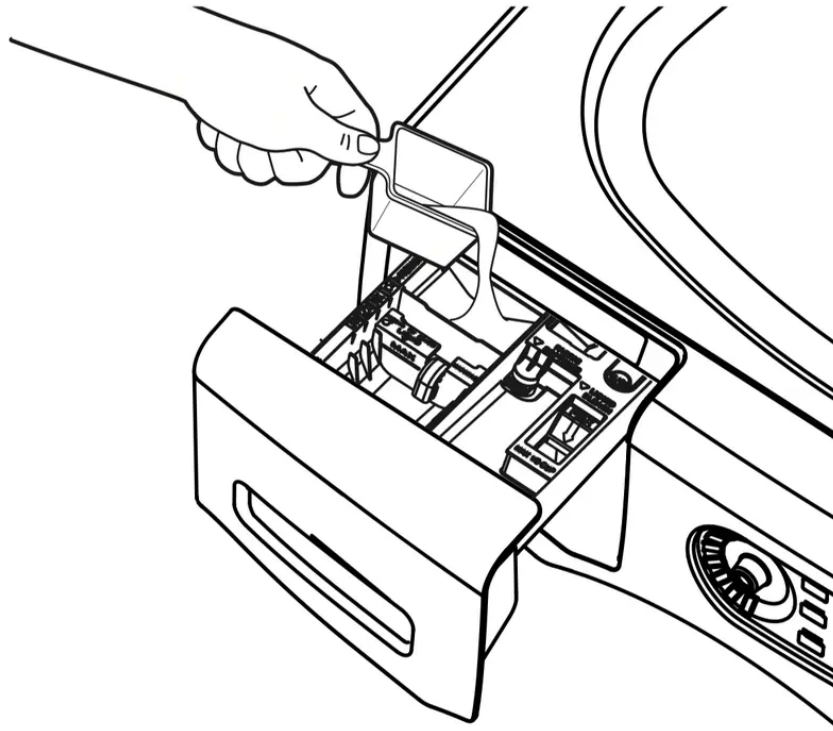


Slowly open the dispenser drawer by pulling it out until it stops.

After adding laundry products, slowly close the dispenser drawer. Closing the drawer too quickly could result in early dispensing of the bleach, fabric softener or detergent.

You may see water in the dispenser drawer at the end of the cycle. This is a result of the flushing/siphoning action and is part of the normal operation of the washer.

Prewash Compartment (on some models)



- Only use the Prewash Compartment if you are selecting the Prewash cycle for heavily soiled clothes. Add measured detergent or prewash additive to the back left prewash compartment of the dispenser drawer.
- Detergent or prewash additive is flushed from the dispenser in the prewash cycle (if selected).

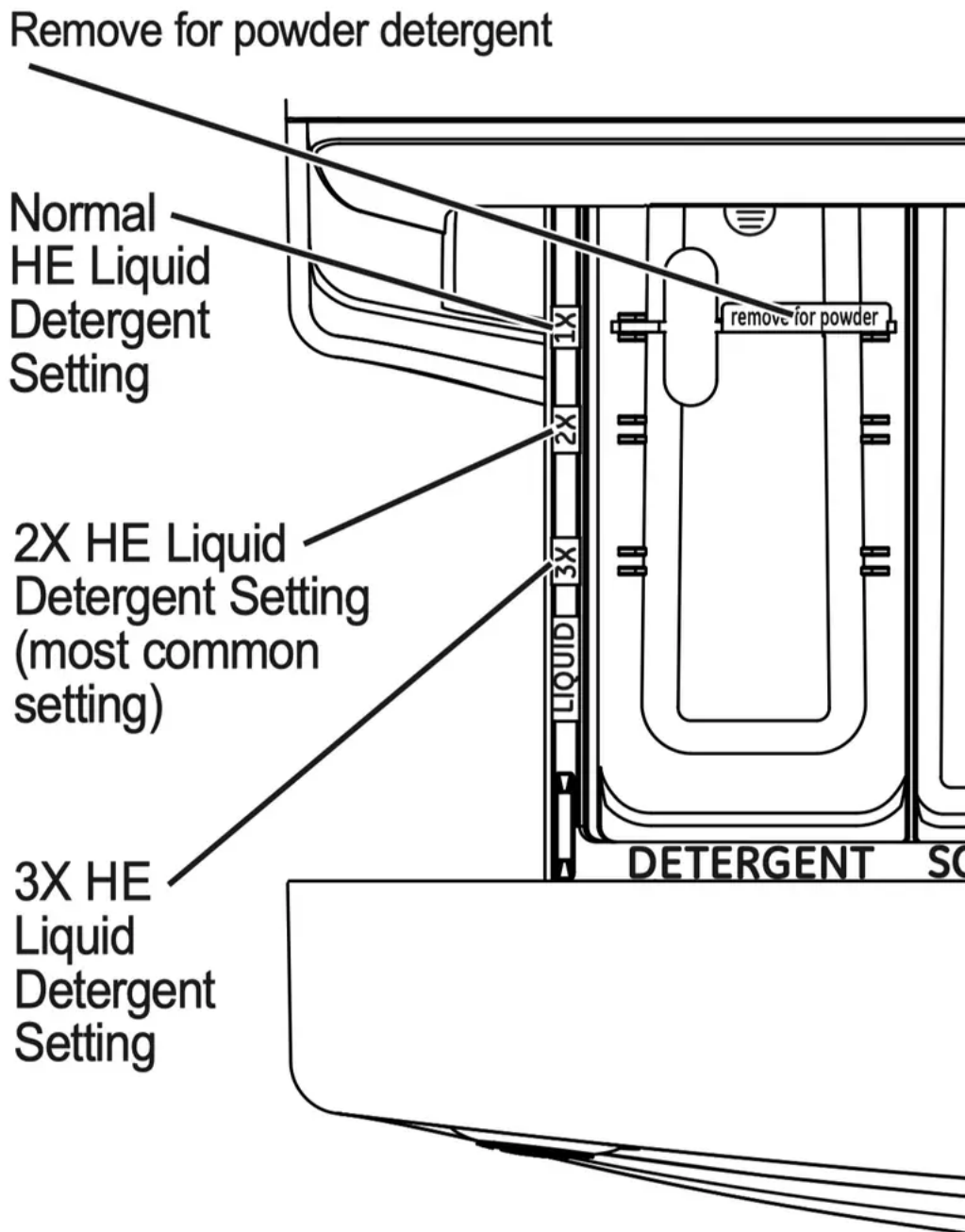
NOTE: Liquid detergent will drain into the washer drum as it is added.

- Detergent usage may need to be adjusted for water temperature, water hardness, size and soil level of the load. Avoid using too much detergent in your washer as it can lead to over sudsing and detergent residue being left on the clothes.

Detergent Compartment

- **High-efficiency detergent is required for this washer. Use the detergent manufacturer's recommended amount.**
- Add measured detergent to the front left detergent compartment of the dispenser drawer.
- Detergent is flushed from the dispenser at the beginning of the wash cycle. Either powdered or liquid detergent can be used.
- Detergent usage may need to be adjusted for water temperature, water hardness, size and soil level of the load. Avoid using too much detergent in your washer as it can lead to oversudsing and detergent residue being left on the clothes.
- Using more detergent than the recommended quantity can cause residue buildup on your washer.

Selection Insert



Appearance may vary

The detergent selection insert must be placed in the detergent compartment in a specific position according to what type of detergent you are using.

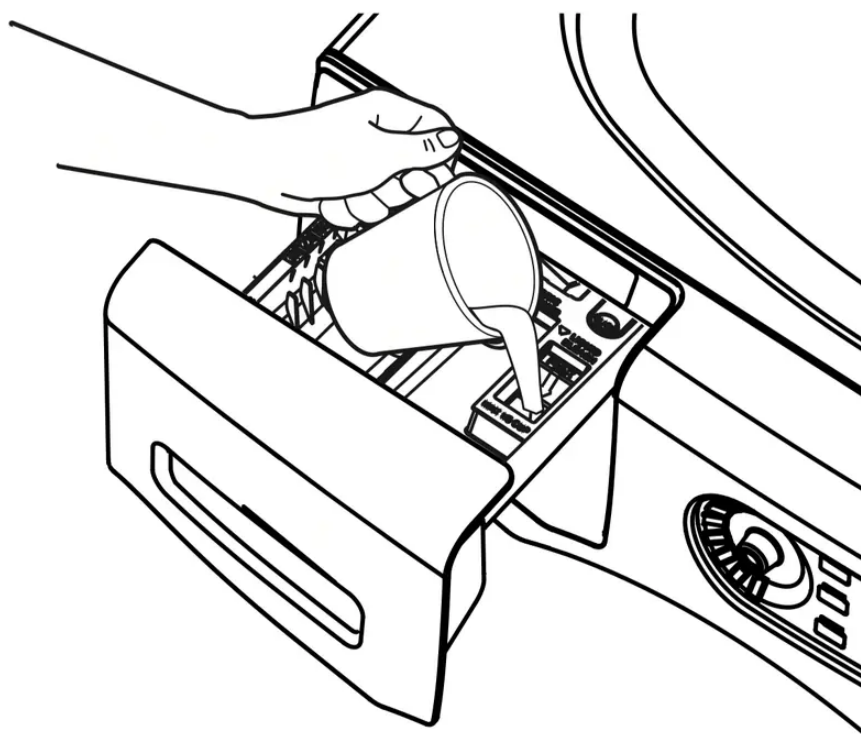
- **Powder Detergent** – Remove the detergent selection insert and place it in a safe location outside of the washer.
- **Liquid Detergent** – You will need to adjust the insert according to the type of Liquid Detergent you are using. The Icons on the side of the detergent compartment must line up on the center when the insert is in position.

NOTE: Not all models have the 2x and 3x detergent settings. Some have only regular HE detergent settings. You must reduce the amount of detergent for 2x or 3x detergent per bottle instructions.

Move the insert by pulling it up and replace it by sliding it down between either the rear or front detergent compartment molded rails, as desired, for liquid detergent. Remove for powder detergent.

Liquid detergent may seep under the insert prior to the start of the cycle. This is normal and will not affect the wash performance.

Liquid Bleach Compartment (on some models)



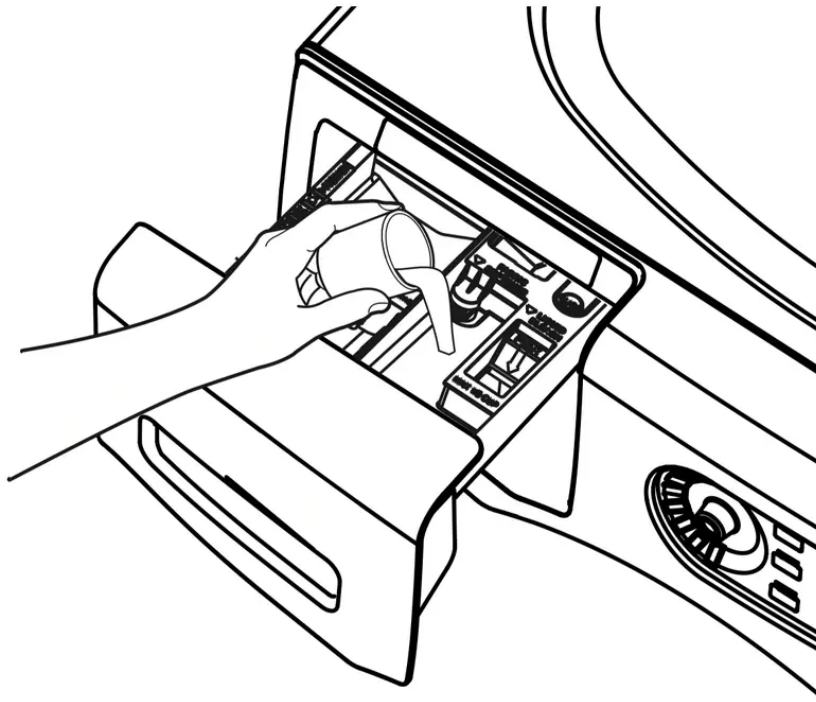
IMPORTANT: The bleach compartment position varies by model. Be sure to identify the correct compartment for bleach before using.

If desired, measure out the recommended amount of liquid bleach, not to exceed 1/3 cup (80 ml), and pour into the right compartment labeled "LIQUID BLEACH".

Do not exceed the maximum fill line. Overfilling can cause early dispensing of the bleach which could result in damaged clothes.

NOTE: Do not use powdered bleach in the dispenser.

Fabric Softener Compartment (on some models)



IMPORTANT: The fabric softener compartment position varies by model. Be sure to identify the correct compartment for fabric softener before using.

If desired, pour the recommended amount of liquid fabric softener into the compartment labeled “FABRIC SOFTENER.”

Use only liquid fabric softener in the dispenser.

Dilute with water to the maximum fill line. Do not exceed the maximum fill line. Overfilling can cause early dispensing of the fabric softener which could stain clothes.

NOTE: Do not pour fabric softener directly on the wash load.

Loading

Always follow fabric manufacturer’s care label when laundering.

Sorting Wash Loads

Sort by color (whites, lights, colors), soil level, fabric type (sturdy cottons, easy care, delicates) and whether the fabric produces lint (terry cloth, chenille) or collects lint (velveteen, corduroy). Wash lint producers such as cotton towels and socks separate from lint collectors including synthetic garments and dress pants.

WARNING - Fire Hazard

- **DO NOT** wash fabrics soiled with flammable liquids or cleaning solvents.
- No washer can completely remove oil.

- **DO NOT** wash or dry anything that has been soaked in or spotted with any type of oil (including cooking oils).
- **DO NOT** reach into the washer until all moving parts have stopped.
- Doing so can result in death, explosion, fire or amputation.

Loading the Washer

The wash drum may be fully loaded with loosely added items.

Loading Examples

WORKWEAR	LINENS	MIXED LOAD	DELICATES*	QUICK WASH (2-3 GARMENTS)
4 Jeans 5 Work Wear Shirts 5 Work Wear Pants	2 Bath Sheets 10 Bath Towels/ 12 Washcloths 7 Hand Towels/ 2 Terrycloth Bath Mats OR 2 Flat Queen-Sized Sheets 2 Fitted Queen-Sized Sheets 4 Pillowcases	4 Pillowcases 2 Hand Towels 2 Flat Sheets/2 Fitted Sheets 2 Bath Towels/4 Washcloths OR 6 Shirts (Men's or Women's) 4 Pair Pants (Khakis or Twills) 5 T-shirts 7 Pairs of Boxers 4 Pairs of Shorts OR 6 T-shirts 4 Pairs of Sweatpants 4 Sweatshirts 2 Hoodies 7 Pairs of Socks	7 Bras 7 panties 3 Slips 2 Camisoles 4 Nightgowns *Using a nylon mesh bag for small items is recommended.	2 Casual Wear Work Shirts 1 Pair Casual Wear Work Pants OR 3 Soccer Uniforms

CARE AND CLEANING

Exterior

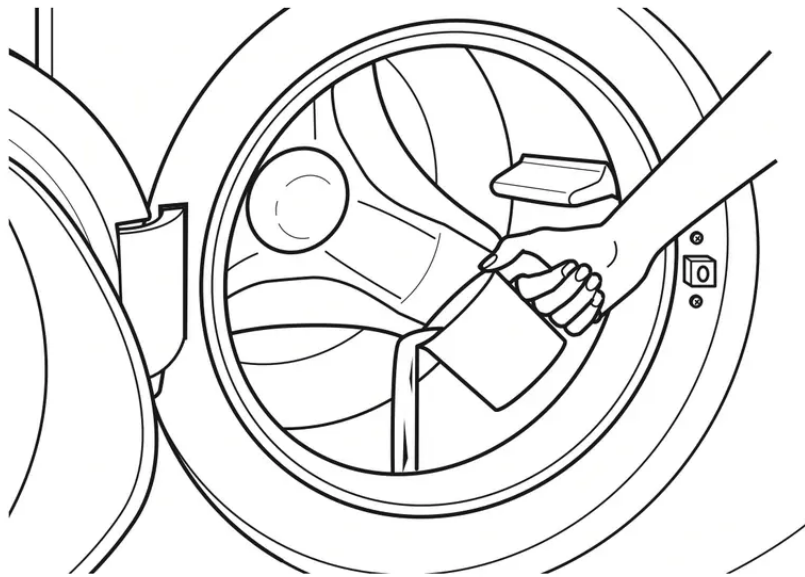
Immediately wipe off any spills. Wipe with damp cloth. Do not hit surface with sharp objects.

Interior

To clean the interior of the washer, select the **Tub Clean** feature on the control panel. This **Tub Clean** cycle should be performed, at a minimum, once per month. This cycle will use more water, in addition to bleach, to control the rate at which soils and detergents may accumulate in your washer.

NOTE: Read the instructions below completely before starting the **Tub Clean** cycle.

1. Remove any garments or objects from the washer and ensure the washer tub is empty.
2. Open the washer door and pour one cup or 250 ml of liquid bleach or other washing machine cleaner into the tub.
3. Close the door and select the **Tub Clean** cycle. Push the **Start** pad.
4. When the **Tub Clean** cycle is working, the display will show the estimated cycle time remaining. The cycle will complete in about 90 minutes. Do not interrupt the cycle.
5. After the cycle is complete, leave the door open slightly for better ventilation.



If for any reason the cycle needs to be interrupted, the door will not open immediately. Forcing open the door at this stage may cause water to flood. The door will open after the water is drained to a level where it would not flood the floor.

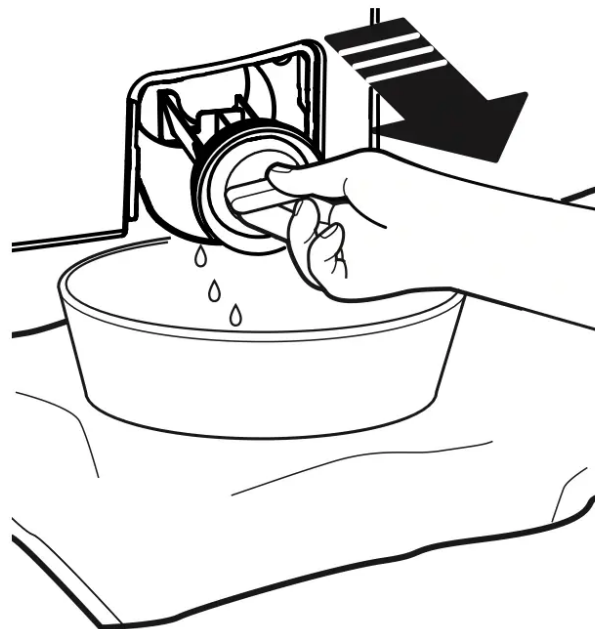
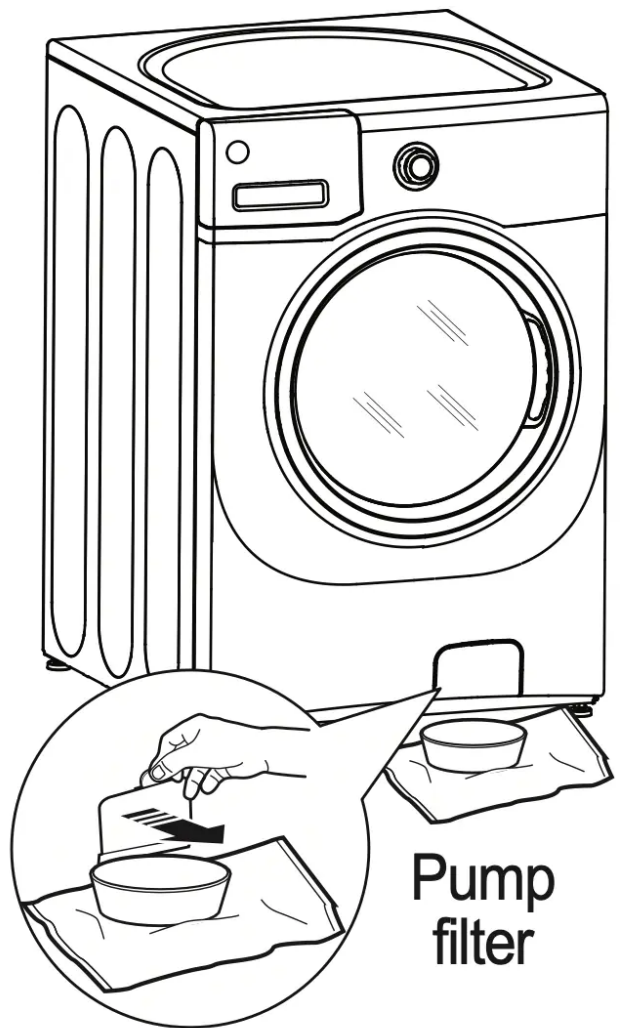
Tub Clean may be interrupted by pressing the **Start** pad in between cycles. A power outage in the house might also interrupt the cycle. When the power supply is back, the Tub Clean cycle resumes where it had stopped. When interrupted, be sure to run a complete Tub Clean cycle before using the washer. If the **Power** pad is pressed during Tub Clean, the cycle will be lost.

IMPORTANT:

- Run **Tub Clean** with 1 Cup (250 ml) of bleach once a month.
- After the completion of a Tub Clean cycle, the interior of your washer may have a bleach smell.
- It is recommended to run a light color load after the **Tub Clean** cycle.

Pump Filter

Due to the nature of the front-load washer, it is sometimes possible for small articles to pass to the pump. The washer has a filter to capture lost items so they are not dumped to the drain. To retrieve lost items, clean out the pump filter.



1. Using a small flathead screwdriver or coin, open the access door.
2. Place a shallow pan or dish under the pump access door and towels on the floor in front of the washer to protect the floor. It is normal to catch about a quart of water when the

filter is removed. **NOTE:** If there is water in the tub when the pump filter is cleaned, it will drain out and a larger pan or dish may be necessary.

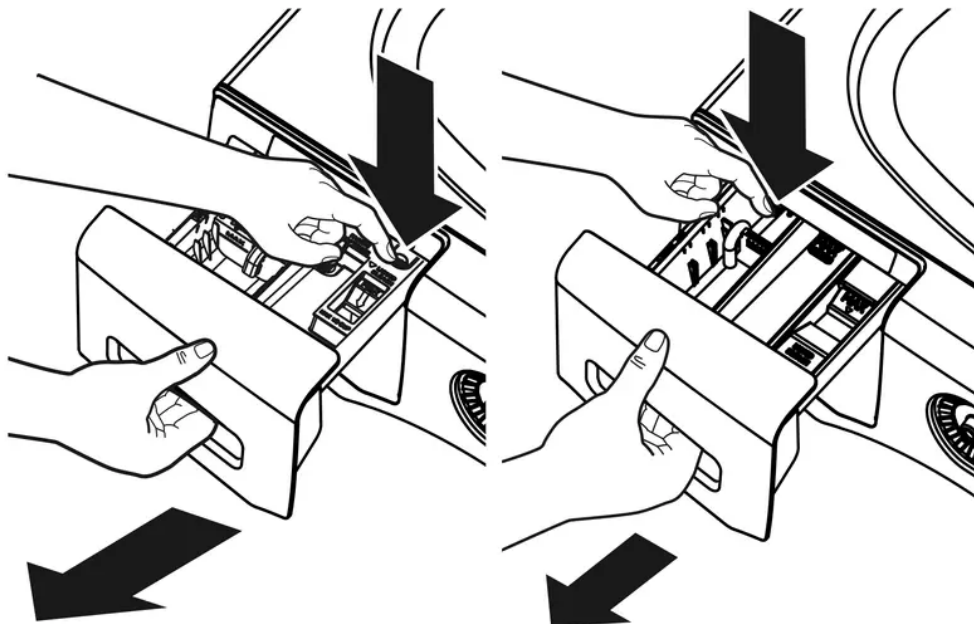
3. Pull down the pour spout.
4. Turn the pump filter counterclockwise and remove the filter slowly, controlling the flow of the draining water.
5. Clean the debris from the filter.
6. Replace the filter and turn clockwise. Tighten securely.
7. Flip up the pour spout.
8. Close the access door by hooking the bottom tabs first, then rotating the access door shut.

Dispenser Drawer Area

Detergent and fabric softener may build up in the dispenser drawer. Residue should be removed once or twice a month.

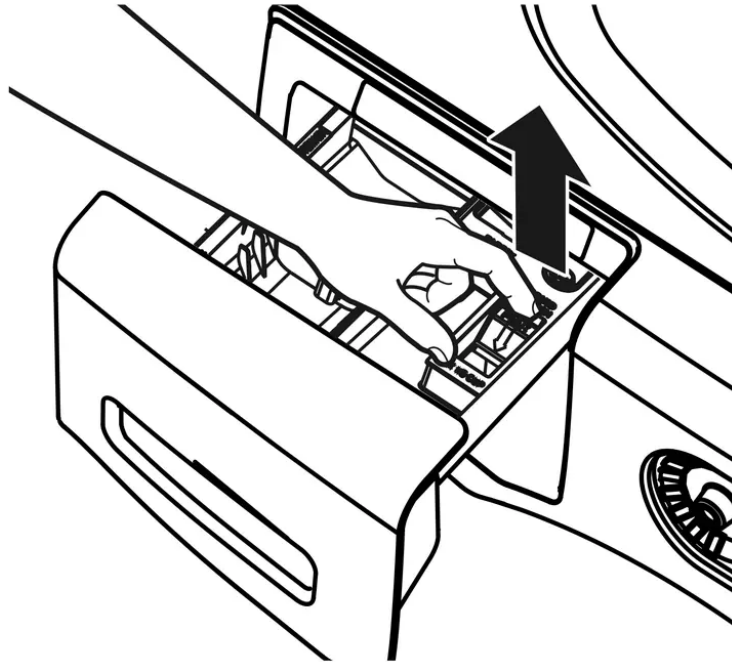
- Remove the drawer by first pulling it out until it stops. Then reach back into the left or right rear corner (depending on model) of the drawer cavity and press down firmly on the lock tab, pulling out the drawer.

Tab on back right or left depending on model

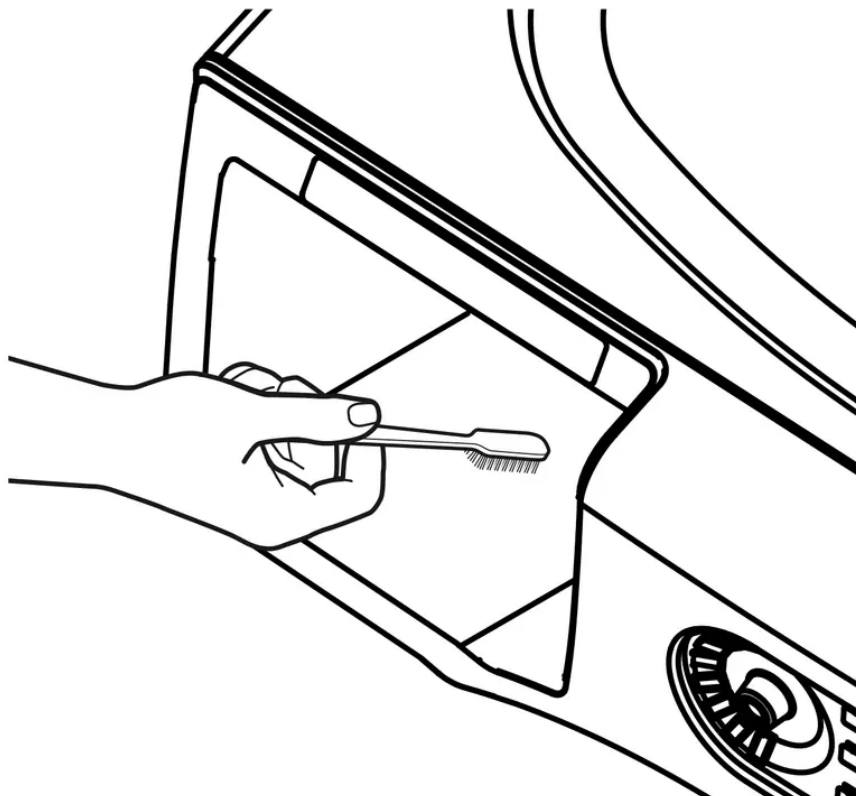


- Remove the inserts from the bleach and fabric softener compartments and the detergent insert. Rinse the inserts and the drawer with very warm water to remove traces of accumulated laundry products.

Lock tab is visible only after drawer has been pulled open



To clean the drawer opening, use a small brush to clean the recess. Remove all residue from the upper and lower parts of the recess.

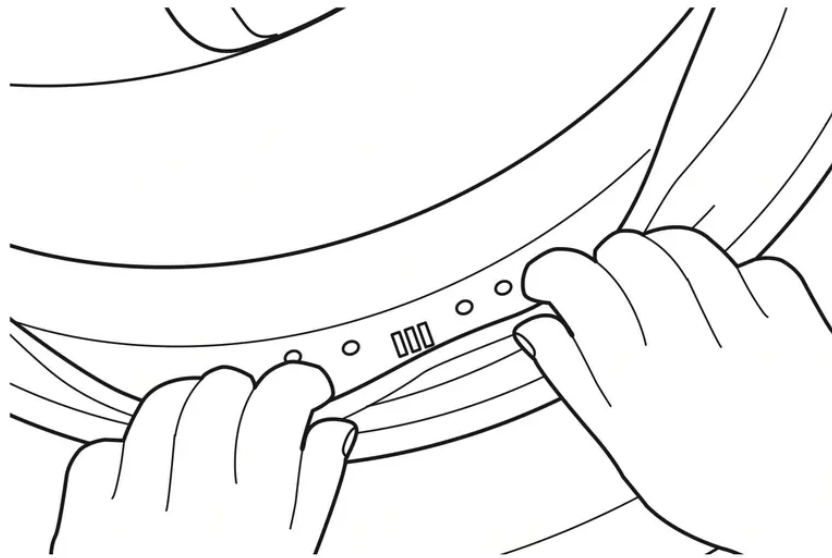


- Return inserts to the proper compartments. Replace the dispenser drawer.

Door Gasket

Open the washer door. Using both hands, press down the door gasket. While holding down the door gasket, inspect the interior of the gasket by pulling it down with your fingers. Remove any foreign objects if found trapped inside this gasket. Make sure there is nothing blocking the holes behind the gasket.

When you are finished cleaning the door gasket, remove your hands and the gaskets will return to the operating position.



Long Vacations

Be sure water supply is shut off at faucets. Drain all water from hoses and water filter pump area if weather will be below freezing.

Troubleshooting



Problem	Possible Cause	What To Do
Not draining Not spinning Not tumbling	Load is out of balance	Redistribute clothes and run Drain + Spin or Rinse + Spin. Increase load size if washing small load containing heavy and light items.
	Pump clogged	See page 13 on how to clean the Pump Filter.
	Drain hose is kinked or improperly connected	Straighten drain hose and make sure washer is not sitting on it.
	Household drain maybe clogged	Check household plumbing. You may need to call a plumber.
	Drain hose siphoning; drain hose pushed too far down the drain	Ensure there is an air gap between hose and drain.
Leaking water	Door gasket is damaged	<p>Check to see if gasket is seated and not torn. Objects left in pockets may cause damage to the washer (nails, screws, pens, pencils).</p> <p>Water may drip from the door when the door is opened. This is a normal operation.</p> <p>Carefully wipe off rubber door seal. Sometimes dirt or clothing is left in this seal and can cause a small leak</p>
	Check back left of washer for water	If this area is wet, you have over sudsing condition. Use less detergent.
	Fill hoses or drain hose is improperly connected	Make sure hose connections are tight at washer and faucets and make sure end of drain hose is correctly inserted in and secured to drain facility.

Problem	Possible Cause	What To Do
	Household drain maybe clogged	Check household plumbing. You may need to call a plumber.
	Dispenser clogged	Powder soap may cause clogs inside the dispenser and cause water to leak out the front of the dispenser. Remove drawer and clean both drawer and inside of dispenser box. Please refer to Cleaning the Washer section.
	Incorrect use of detergent	Use only HE and correct amount of detergent.
	Dispenser box cracked	If new installation, check for crack on inside of dispenser box.
Clothes too wet	Load is out of balance	Redistribute clothes and run Drain + Spin or Rinse + Spin. Increase load size if washing small load containing heavy and light items. The machine will slow the spin speed down to 410 rpm if it has a hard time balancing the load. This speed is normal.
	Pump clogged	See page 13 on how to clean the Pump Filter.
	Overloading	The dry weight of the load should be less than 16 lbs.
	Drain hose is kinked or improperly connected	Straighten drain hose and make sure washer is not sitting on it.
	Household drain maybe clogged	Check household plumbing. You may need to call a plumber.
	Drain hose siphoning; drain hose pushed too far down the drain	Ensure there is an air gap between hose and drain.

Problem	Possible Cause	What To Do
Incomplete cycle or timer not advancing	Automatic load redistribution	Timer adds 3 minutes to cycle for each rebalance. 11 or 15 rebalances may be done. This is normal operation. Do nothing; the machine will finish the wash cycle.
	Pump clogged	See page 13 on how to clean the Pump Filter.
	Drain hose is kinked or improperly connected	Straighten drain hose and make sure washer is not sitting on it.
	Household drain maybe clogged	Check household plumbing. You may need to call a plumber.
	Drain hose siphoning; drain hose pushed too far down the drain	Ensure there is an air gap between hose and drain.
Loud or unusual noise; vibration or shaking	Cabinet moving	Washer is designed to move 1/4" to reduce forces transmitted to the floor. This movement is normal.
	All rubber leveling legs are not firmly touching the floor	Push and pull on the back right and then back left of your washer to check if it is level. If the washer is uneven, adjust the rubber leveling legs so they are all firmly touching the floor and locked in place. Your installer should correct this problem.
	Unbalanced load	Pause unit, open door and manually redistribute load. To check machine, run rinse and spin with no load. If normal, unbalance was caused by load.
	Pump clogged	See page 13 on how to clean the Pump Filter.

Problem	Possible Cause	What To Do
No power/washer not working or dead	Washer is unplugged	Make sure cord is plugged securely into a working outlet.
	Water supply is turned off	Turn both hot and cold faucets fully on.
	Circuit breaker/ fuse is tripped/ blown	Check house circuit breakers/ fuses. Replace fuses or reset breaker. Washer should have separate outlet.
	Automatic self system checks	First time the washer is plugged in, automatic checks occur. It may take up to 20 seconds before you can use your washer. This is normal operation.
Snags, holes, tears, rips or excessive wear	Overloaded	Do not exceed maximum recommended load sizes. See recommended maximum load sizes on page 12.
	Pens, pencils, nails, screws or other objects left in pockets	Remove loose items from pockets.
	Pins, snaps, hooks, sharp buttons, belt buckles, zippers and sharp objects left in pockets	Fasten snaps, hooks, buttons and zippers.
Control time wrong or changes	This is normal	During spin the washer may need to rebalance the load sometimes to reduce vibrations. When this happens, the estimated time is increased causing time left to increase or jump.
Not enough water	This is normal	Horizontal washers do not require the tub to fill with water like top-load washers.

Problem	Possible Cause	What To Do
Washer pauses or has to be restarted, or washer door is locked and will not open	Pump clogged	See page 13 on how to clean the Pump Filter.
Door unlocks or press Start and machine doesn't operate	This is normal	Front-load washers start up differently than top-load washers, and it takes 30 seconds to check the system. The door will lock and unlock.
	Incorrect operation	Simply open and close the door firmly; then press Start.
Water does not enter washer or enters slowly	Automatic self system checks	After Start is pressed, the washer does several system checks. Water will flow 60 seconds after Start is pressed.
	Water supply is turned off	Turn on both hot and cold faucets fully.
	Water valve screens are stopped up	Turn off the water source and remove the water connection hoses from the upper back of the washer. Use a brush or tooth pick to clean the screens in the machine. Reconnect the hoses and turn the water back on.
	Inlet hose screen washers are stopped up	Turn off the water source and remove the inlet hoses from the wall faucets. Use a brush or tooth pick to clean the screen washers in the end of the hoses. Reconnect the hoses and turn the water back on.
Wrinkling	Improper sorting	Avoid mixing heavy items (like work clothes) with light items (like blouses).

Problem	Possible Cause	What To Do
	Overloading	Load your washer so clothes have enough room to move freely.
	Incorrect wash cycle	Match cycle selection to the type of fabric you are washing (especially for easy care loads).
	Repeated washing in water that is too hot	Wash in warm or cold water.
Grayed or yellowed clothes	Not enough detergent	Use correct amount of detergent.
	Not using HE (high efficiency) detergent	Use only HE detergent.
	Hard water	Use hottest water safe for fabric.
		Use a water conditioner like Calgon brand or install a water softener.
	Water is not hot enough	Make sure water heater is delivering water at 120°–140°F (48°– 60°C).
	Detergent is not dissolving	Try a liquid HE detergent.
	Dye transfer	Sort clothes by color. If fabric label states wash separately, unstable dyes may be indicated.
Colored spots	Incorrect use of fabric softener	Check fabric softener package for instructions and follow directions for using dispenser.
	Dye transfer	Sort whites or lightly colored items from dark colors.
		Promptly remove wash load from washer.
Water temperature is incorrect	Water supply is improperly connected	Make sure hoses are connected to correct faucets.

Problem	Possible Cause	What To Do
	House water heater is not set properly	Make sure house water heater is delivering water at 120°– 140°F (48°–60°C).
Slight variation in metallic color	This is normal	Due to the metallic properties of paint used for this unique product, slight variations of color may occur due to viewing angles and lighting conditions.
Bad odor inside your Washer	Washer unused for a long time, not using recommended quality of HE detergent or used too much detergent	Run a Tub Clean cycle.
		In case of strong odor, you may need to run the Tub Clean cycle more than once.
		Use only the amount of detergent recommended on the detergent container.
		Use only HE (high efficiency) detergent.
		Always remove wet items from the washer promptly after machine stops running.
		Leave the door slightly open for the water to air dry. Close supervision is necessary if this appliance is used by or near children. Do not allow children to play on or in this or any other appliance.
Detergent leak	Incorrect placement of detergent insert	Make sure detergent insert is properly located and fully seated. Never put detergent above max line.
	This is normal	It is normal operation to see detergent leak on door gasket about 20 seconds after filling the dispenser.

Problem	Possible Cause	What To Do
Improper dispensing of softener or bleach	Dispenser clogged	Monthly clean the dispenser drawer to remove buildup of chemicals.
	Softener or bleach is filled above the max line	Make sure to have the correct amount of softener or bleach.
	Softener or bleach cap issue	Make sure softener and bleach cap for dispenser are seated or they will not work.
Dispenser drawer not dispensing properly	Laundry detergent packet placed in dispenser drawer	Laundry detergent packets should not be used in the dispenser. They should only be added directly to the wash tub following the manufacturer's directions.
Pump running while washer is not in use	Clog in sump drain	This is normal. Drain sump is detecting an undesired water fill level from a potential open faucet. Shut off water valve and inspect water valve for blockage.

Warning

This content is compiled from multiple sources and is provided for reference purposes only. It may not be complete or fully applicable to all situations. If you are unable to resolve your issue, please contact the product manufacturer or an authorized service provider for official support.