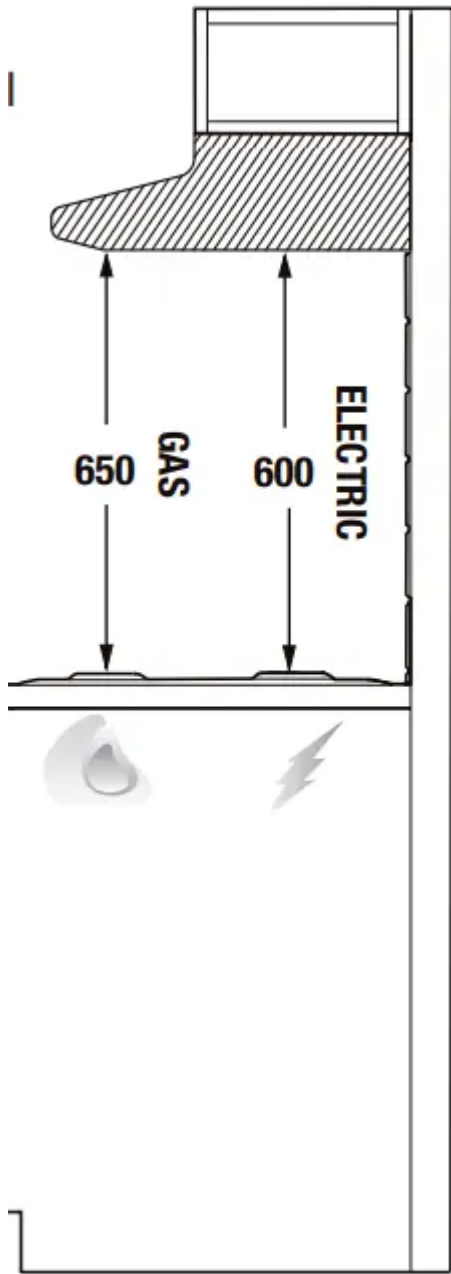


## **INSTALLATION INSTRUCTIONS**

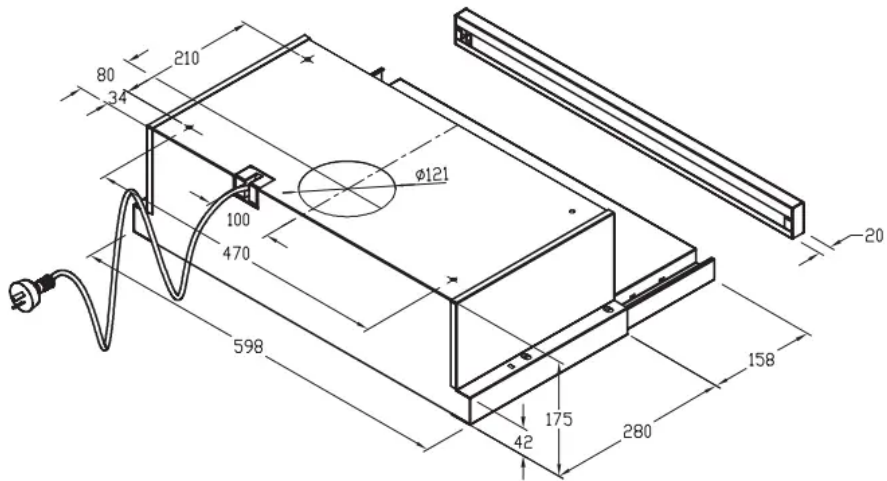
Please read instructions carefully. Service calls resulting from incorrect installation will be charged for. Exhaust air from the Rangehood must not be discharged into any heating flue which may carry combustion products from other sources. In addition, exhaust air must not be discharged into a wall cavity, unless the cavity is designed for the purpose. Adequate ventilation of the room must be ensured when the Rangehood is operating simultaneously with appliances burning gas or other fuels. Installation must comply in all respects with your gas and electrical authorities.

This Rangehood is an indoor domestic appliance, and has been manufactured and tested to comply with Australian and New Zealand Standard AS/NZ3350,2,31

It is recommended that the unit be positioned as close as possible to 600mm (electric hobs), 650mm (gas hobs), and no further from the hob than 800mm. The unit becomes less effective as the distance from the cooking surface to the hood increases.

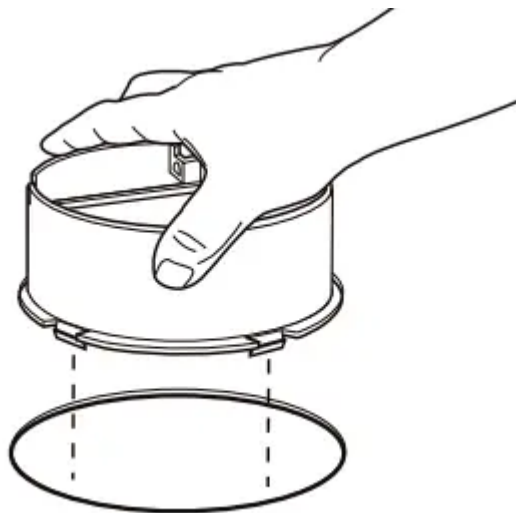


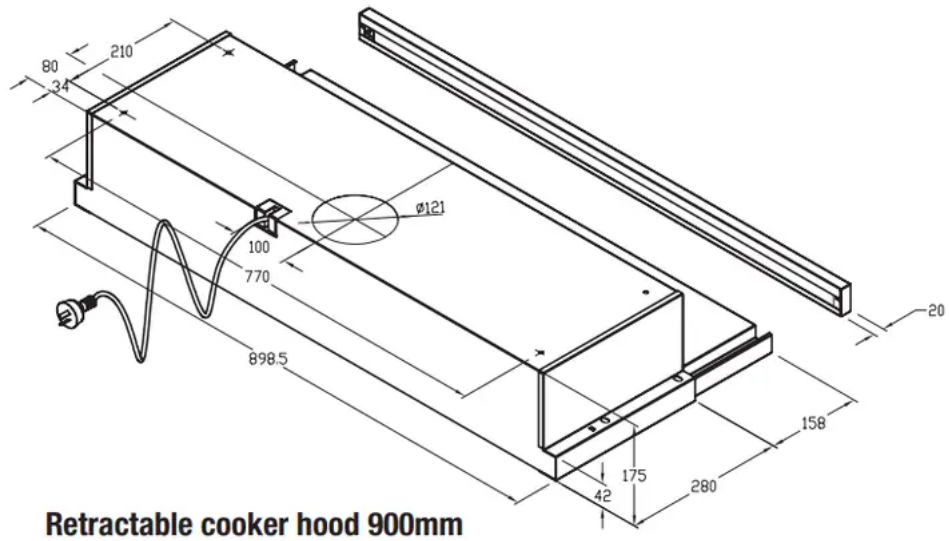
## FIXING POINT DIMENSIONS



Retractable cooker hood 600mm

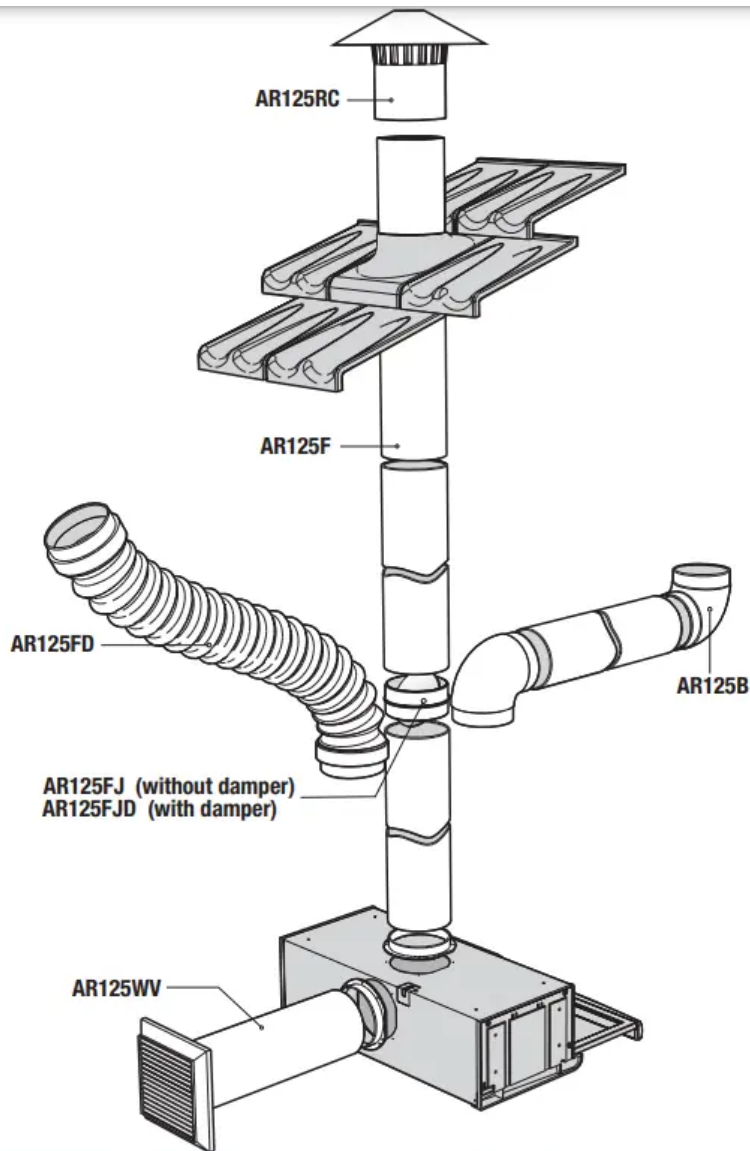
## FIXING POINT DIMENSIONS





## DUCTING ACCESSORIES

For best performance 125mm ducting is recommended.

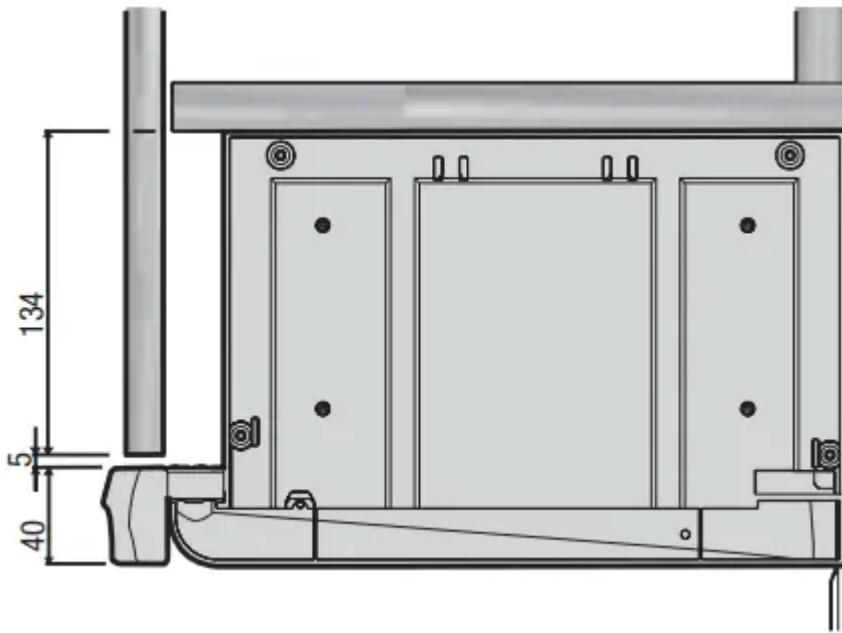


**ACCESSORIES CAN ONLY BE BOUGHT THROUGH THE SALES DEPARTMENT. THESE PARTS ARE NOT AVAILABLE THROUGH SPARE PARTS.**

### **INSTALLATION USING THE SUPPLIED DRAWER FACIA**

FOR MODELS: WRH605I\* WRH608I\* WRH908I\* REHR6\* REHR9\* RRE634\* RRE934\*

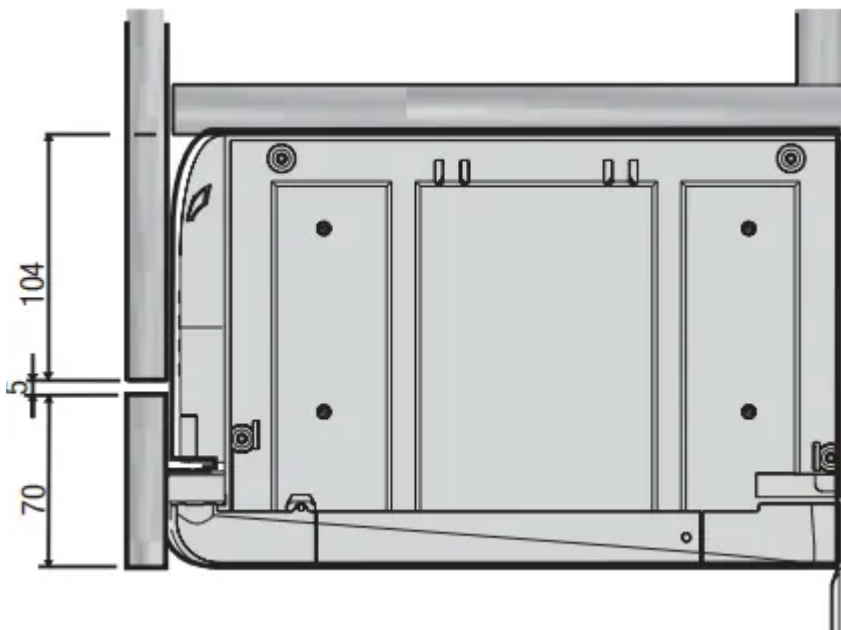
Standard ducted installation calls for a door extension of 134mm whether the client opts to use the supplied draw fascia or a custom fascia of the same dimensions as that supplied.



### RECIRCULATING VENT INSTALLATION

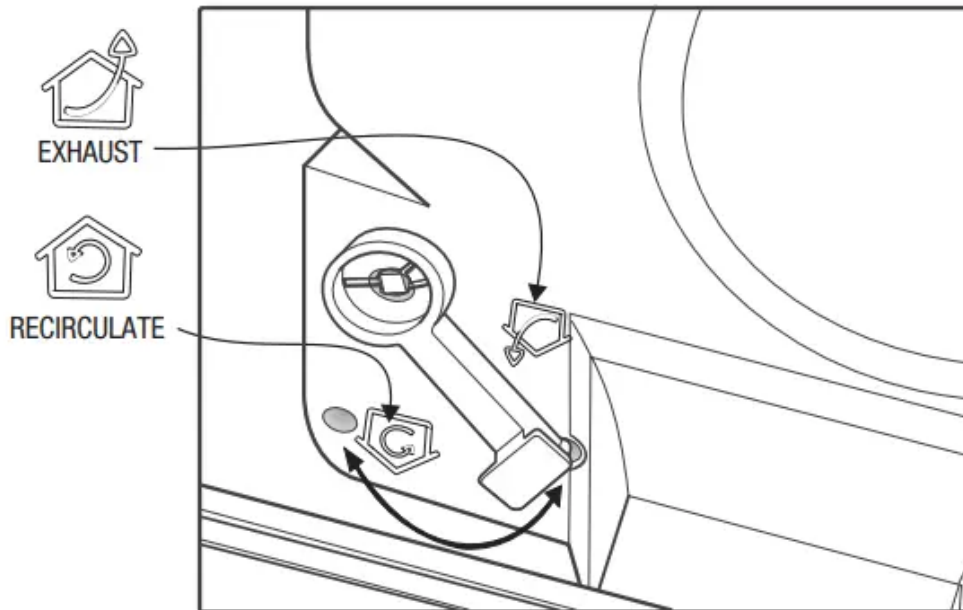
FOR MODELS: WRH608I\* WRH908I\* RRE634\* RRE934\* RRE635 (already fitted with 70mm front panel)

**Note:** If the Rangehood is to be vented using the recirculating vent rather than standard ducting, the supplied drawer facia is not to be used and must be replaced with a client specific custom facia. The custom drawer facia must be a minimum of 70mm deep as air expelled through the recirculating vent must be deflected upwards. The custom drawer facia must be a minimum of 70mm deep as air expelled through the recirculating vent must be deflected upwards.

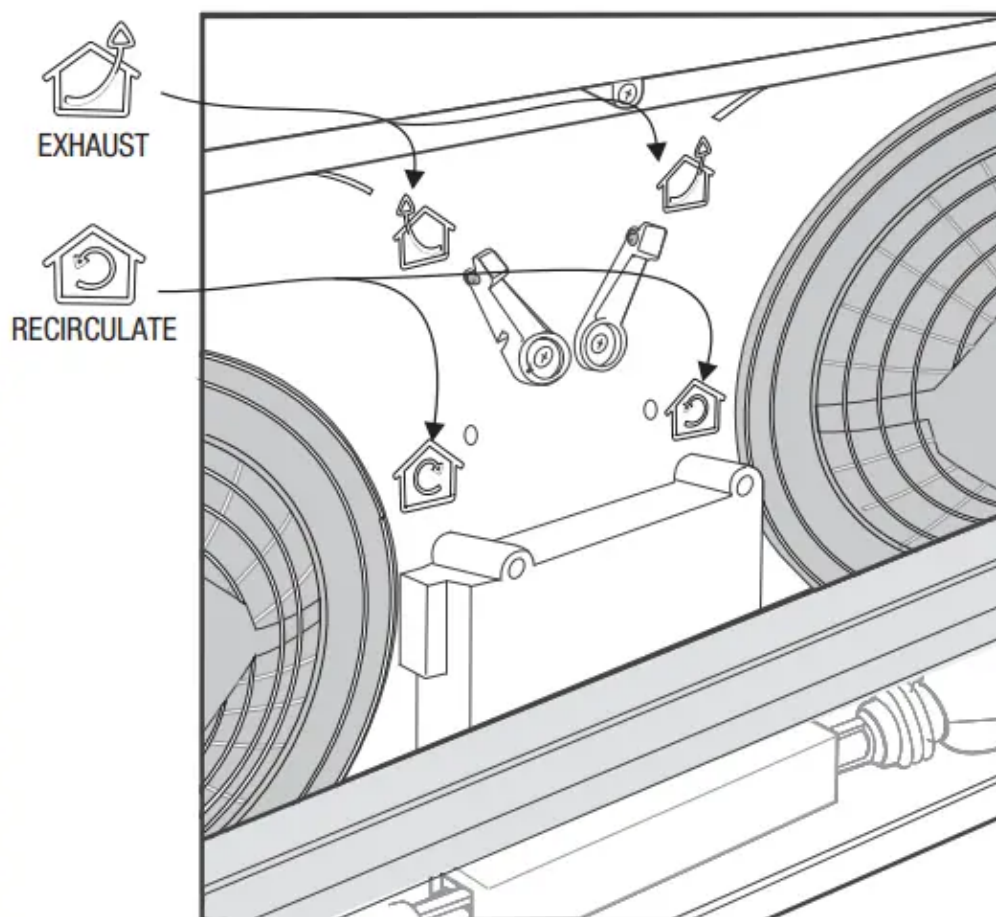


*Setting of circulation air door - single fan models*





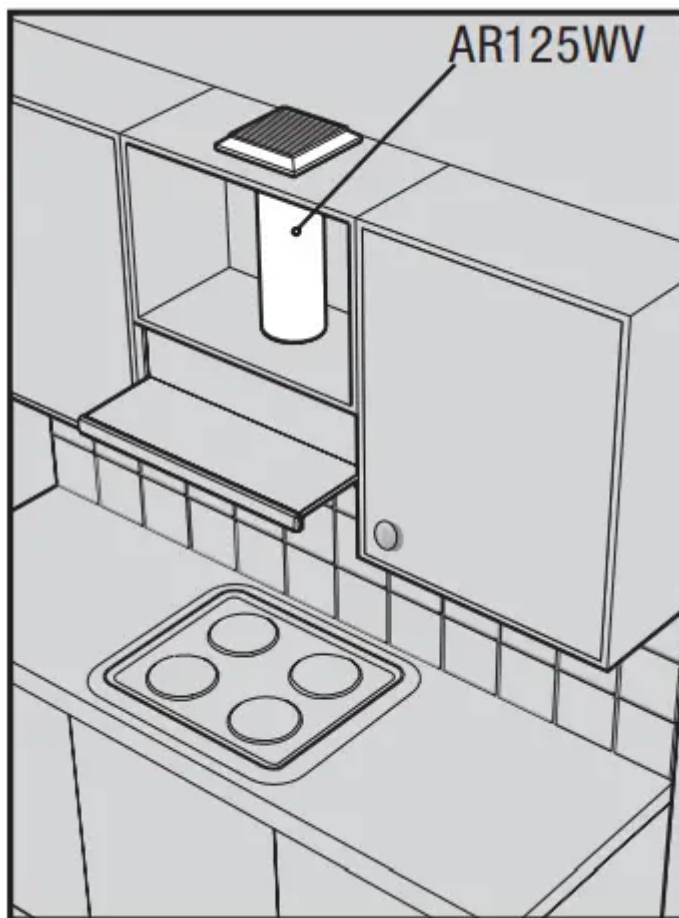
*Setting of circulation air doors - dual fan models*



**IMPORTANT:** SET CIRCULATING MODES BEFORE INSTALLING THE HOLE PLUGS.

## DUCTED RECIRCULATING INSTALLATION

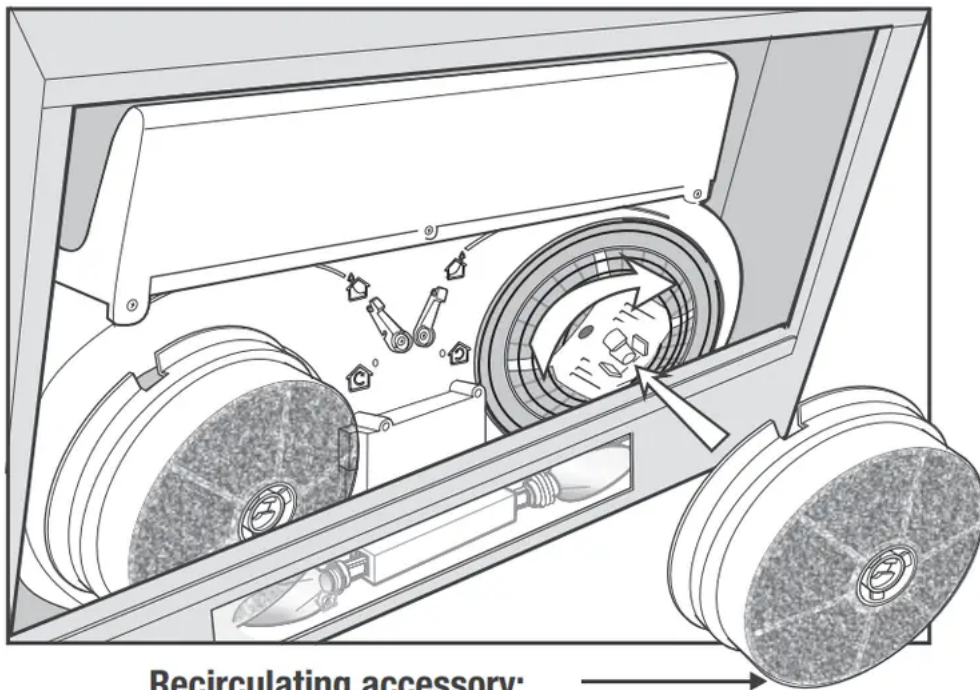
FOR MODELS: REHR6\* REHR9\* WRH605I\*



### ALL MODELS OPTIONAL CARBON FILTER

An optional carbon filter will diminish cooking odours in the recirculated air.

Depending on the frequency of use and the type of cooking, the expected life of carbon filters is from 1 to 6 months. Replacement is required.



**Recirculating accessory:** →  
Optional carbon filter ARCFD for recirculating mode only.

## OPERATION & MAINTENANCE

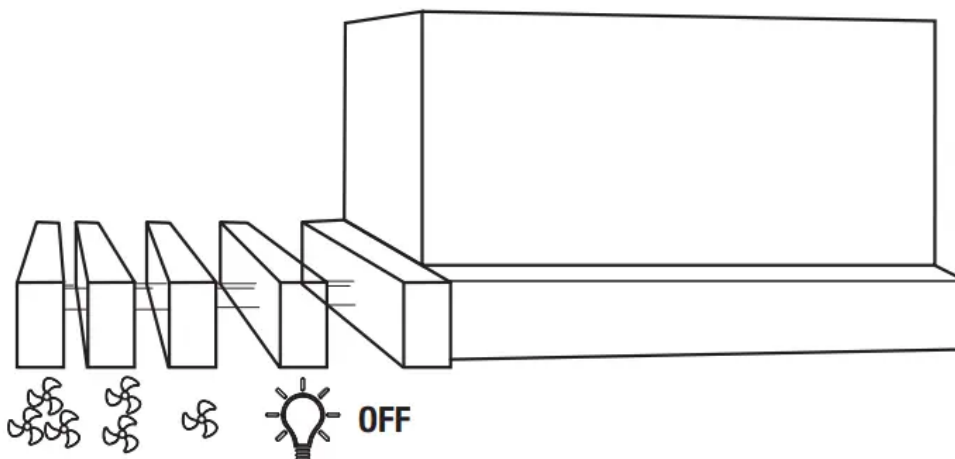
### OPERATION

**MODELS:** WRH605I\* REHR6\* REHR9\*

The operation of the light and the two-speed fan are controlled by the drawer action. (see diagram)

**MODELS:** WRH608I\* WRH908I\* RRE634\* RRE635\* RRE934\*

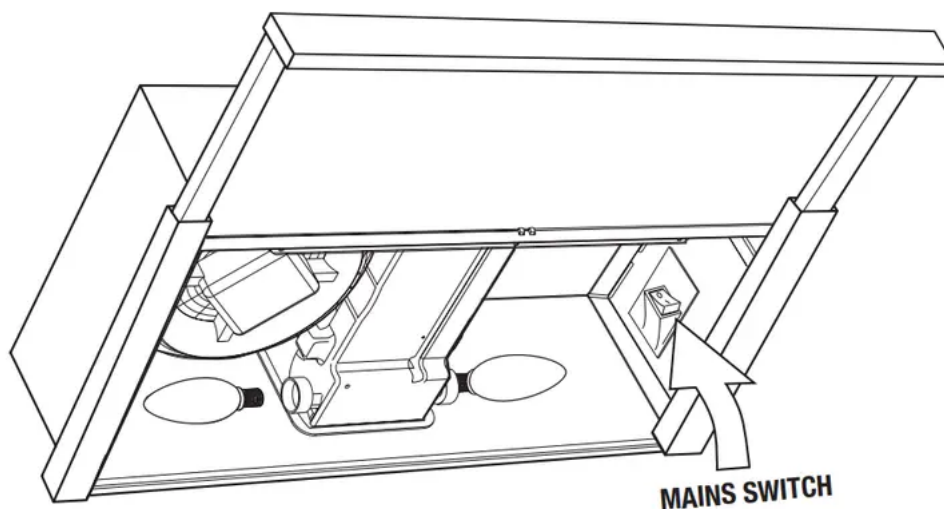
The operation of the lights and the three speed fans are controlled by the drawer action. (see diagram)



## TO REPLACE LIGHT GLOBES

1. Open drawer and remove filter frame.
2. Turn mains switch off before removing lamp.

Replace with 40W maximum E14 candle lamp. Depending on model will require 1 or 2 globes.



## MAINTENANCE

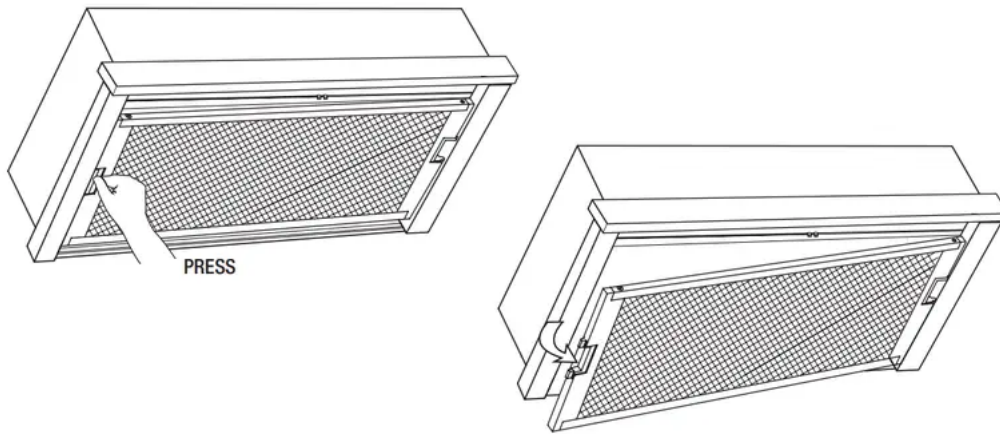
To maintain efficiency and reduce fire risk, the filter should be removed every four weeks (maximum) for cleaning. Soak and agitate the filter in hot soapy water or washing soda. Rinse, drain, shake well and replace.

Do not use caustic solutions or other corrosive agents. The filter tray and the filter can be washed in the dishwasher, but the

**NOTE:** Where fitted, optional carbon filters are intended to be a disposable item and should be discarded when saturated. Washing the carbon filter is not recommended.

## REMOVE FILTERS FOR CLEANING

1. Slide filter tray forward 1cm.
2. Swivel filter tray down.
3. Pull filter tray out.
4. Turn off mains switch before cleaning drawer and cooker hood body



Should you require further instructions in the use and care of your cooker hood please contact the Customer Care Centre on 1300 363 640 (Australia, Mon-Fri 8.00am-5.00pm Eastern Standard time) or +649 573 2384 (New Zealand, Mon-Fri 8.00am-5.00pm). If you have a warranty or spare parts enquiry, you should call the number listed on the warranty page.

### **Cleaning**

Wipe the cooker hood body and flue with a sponge or soft cloth soaked in warm soapy water. Do not use oven cleaners or other abrasive materials.

### **Electrical Connection**

- Check that the mains voltage matches with the voltage on the data plate inside the cooker hood.
- Check that the installation complies with standards of local gas and electricity authorities.
- If the supply cord is damaged, it must be replaced by the manufacturer or its service agent or a similarly qualified person in order to avoid a hazard.

### **Accessories**

- Use 125mm round exhaust ducting for best performance.
- When using flexible duct always install duct with the wire helix pulled taut to minimise pressure loss.
- Try to keep exhaust duct short and straight.
- Keep bends in the exhaust duct to a minimum.
- Do not reduce the size or restrict exhaust duct.

#### **Warning**

This content is compiled from multiple sources and is provided for reference purposes only. It may not be complete or fully applicable to all situations. If you are unable to resolve your issue, please contact the product manufacturer or an authorized service provider for official support.

---

Document generated by [ManualsFile](#)