

Setting up your French Door Refrigerator

GETTING READY TO INSTALL THE REFRIGERATOR

Congratulations on your purchase of this Samsung French Door Refrigerator. We hope you enjoy the state-of-art features and efficiencies that this new appliance offers.

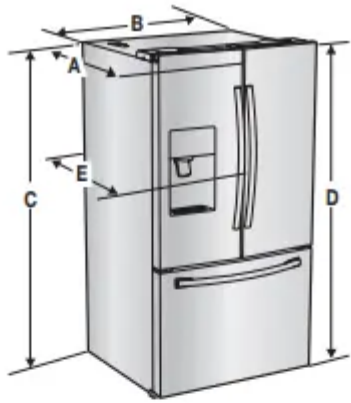
Selecting the best location for the refrigerator

Choose:

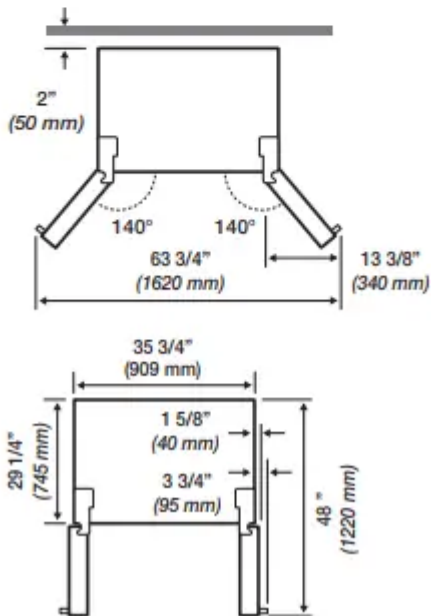
- A location with easy access to a water supply.
- A location without direct exposure to sunlight.
- A location with a level floor.
- A location with enough space for the refrigerator doors to open easily.
- A location that allows sufficient space to the right, left, back and top for air circulation. If the refrigerator does not have enough space, it can cause the bad influence to refrigeration efficiency and power consumption.
- A location that allows you to move the refrigerator easily if it needs maintenance or service.
- Do not install the refrigerator where the temperature will go below 50 °F (10 °C).
- Do not locate the refrigerator where it may become wet.

When moving your refrigerator

CAUTION To prevent floor damage, be sure the front adjusting legs are in the up position (above the floor). Refer to 'Adjusting the Level' in the manual



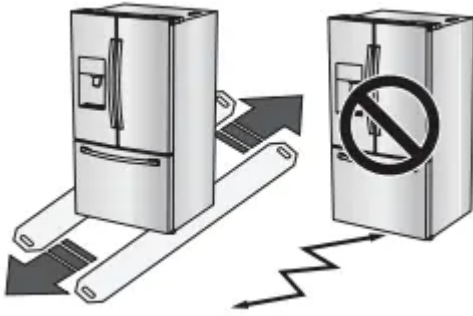
Model	RF263T**/ RF263B**
Depth "A"	33 1/2" (850 mm)
Width "B"	35 3/4" (909 mm)
Height "C"	68 3/8" (1737 mm)
Overall Height "D"	70" (1778 mm)
Depth "E"	35 3/4" (910 mm)



FLOORING

For proper installation, you must place this refrigerator on a level, hard surface that is the same height as the rest of the floor. This surface should be strong enough to support a fully loaded refrigerator, or approximately 335lbs (152kg).

To protect the finish of the flooring, cut a large section of the cardboard carton and place it under the refrigerator where you are working. When moving the refrigerator, you need to pull and push it straight forwards or back. Do not wiggle it from side to side.



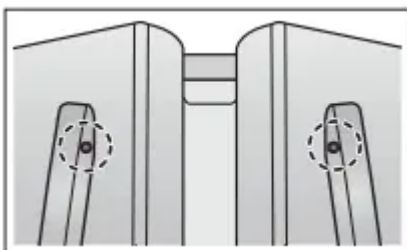
REMOVING THE REFRIGERATOR DOORS

For some installations you need to remove the fridge and freezer drawers so you can move the refrigerator to its final location. Do not remove the doors/drawer if you don't need to. If you do not need to remove the refrigerator doors, go to 'Leveling the Refrigerator' . If you need to remove the doors. continue below. Before removing the door/drawer, make sure you read the following items:

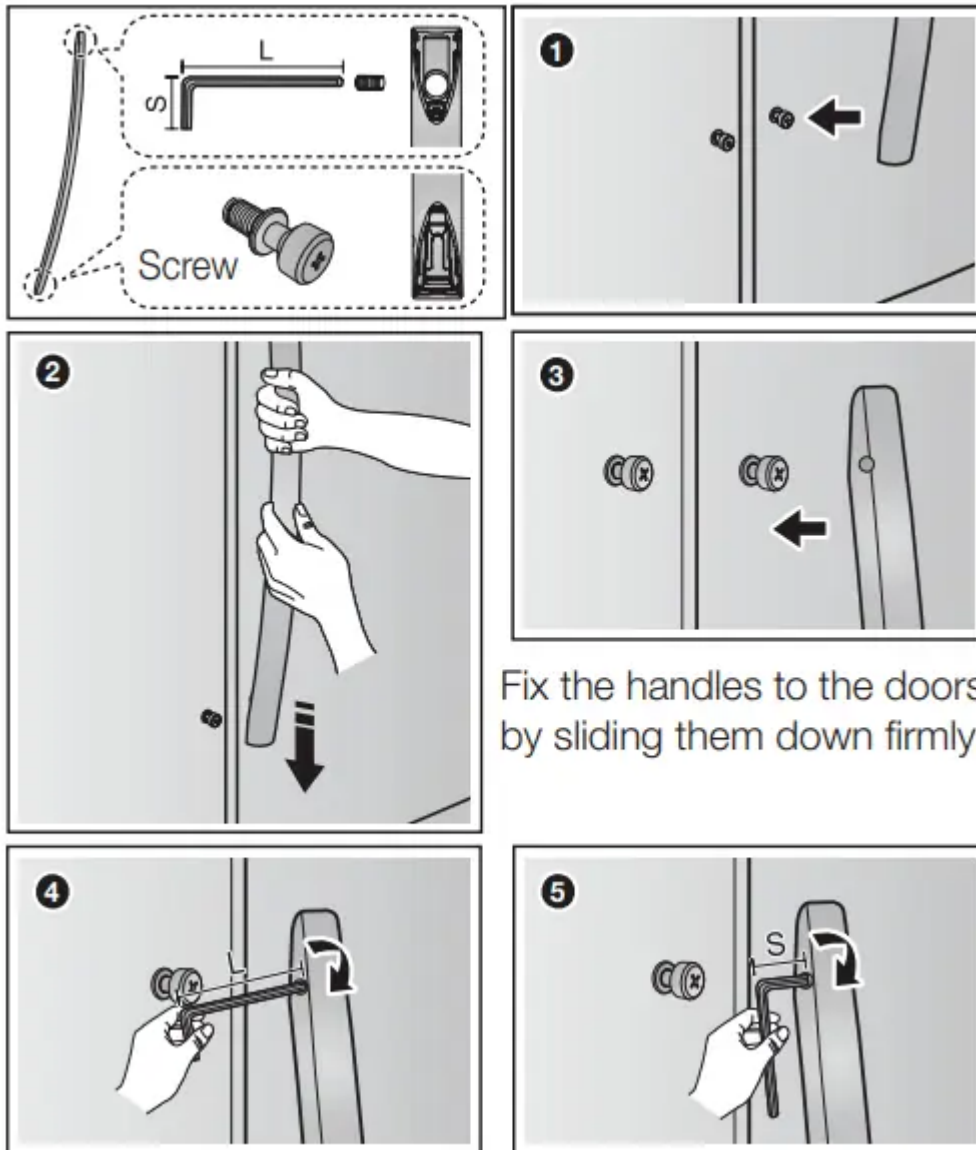
- Use care when you remove the doors/drawer. The doors are heavy and you could injure yourself.
- Reattach the doors/drawer properly to avoid:
 - Moisture from air leakage.
 - Uneven door alignment.
 - Wasting energy due to improper door seal

HOW TO ASSEMBLE THE HANDLE

Orient each handle so that the end with the sticker attached is at the top and the holes with the tightening screws are facing each other. Then, follow the directions below to install each handle.



By using Phillips screwdriver, fix the screw (optional) and then put the handle on the fixer by sliding them down firmly.

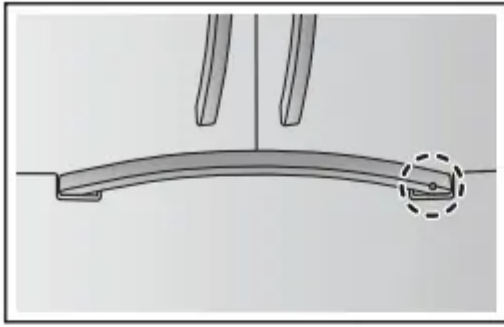


Fix the handles to the doors by sliding them down firmly.

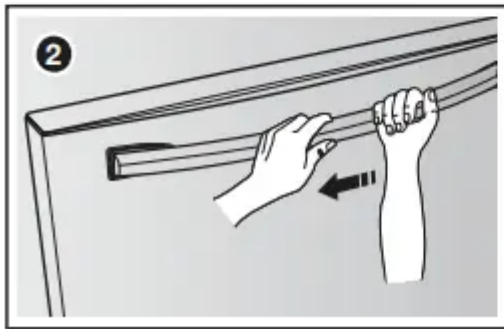
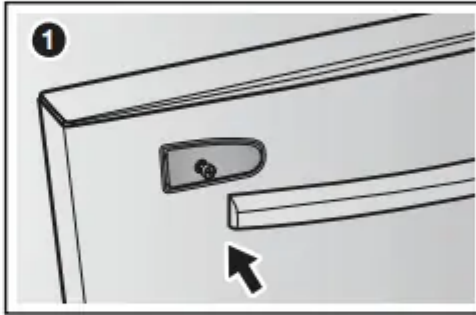
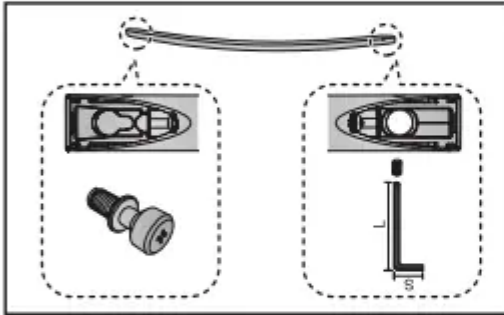
Tighten with wrench firmly

Drawer door handle assembly

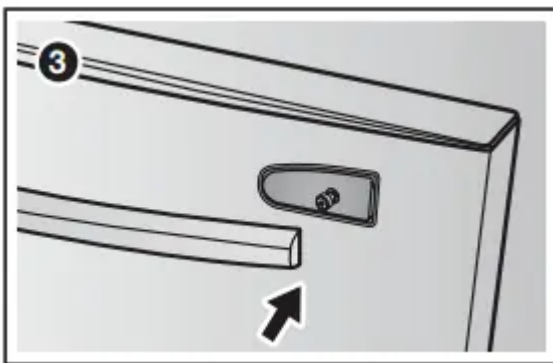




Check the direction of Handle assembly.

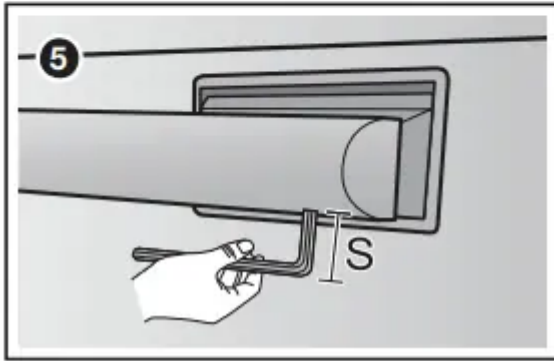
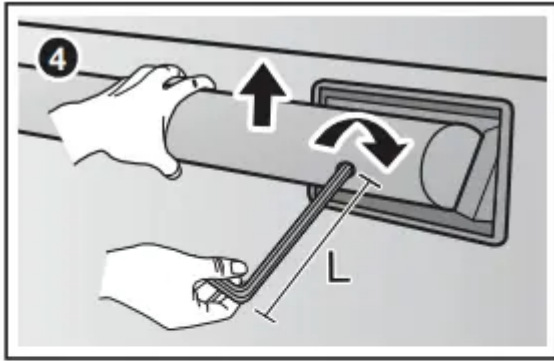


Fix the handles to the doors by sliding them side firmly.



Fix the handles to the doors by sliding them left side firmly.





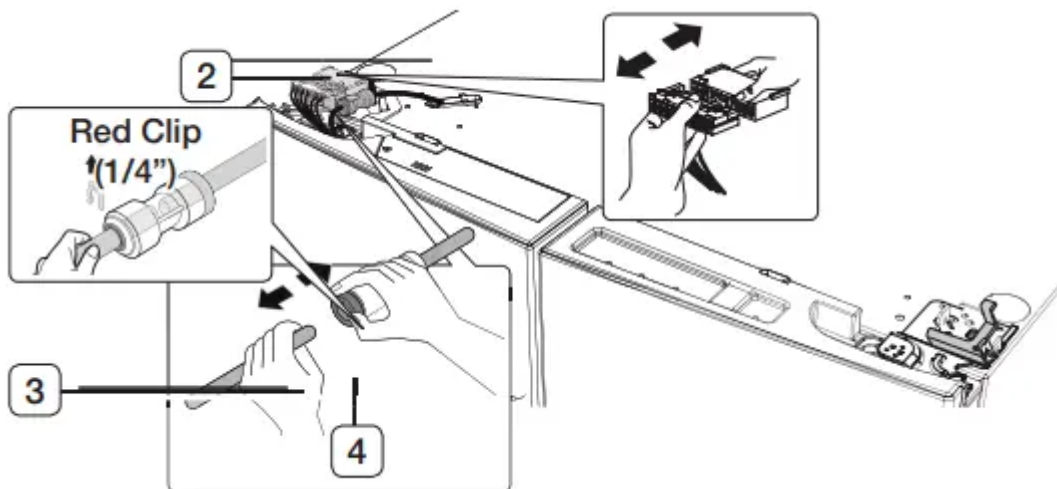
Tilt up the Handle bar and tighten with wrench firmly.

Disassembling the refrigerator doors

WARNING: Be careful not to drop and scratch the doors while removing them.

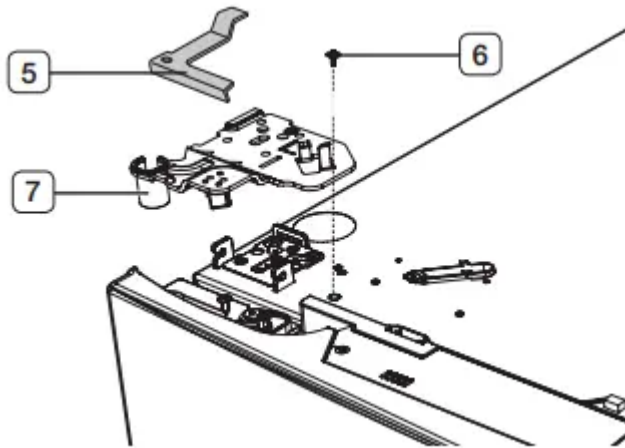
With the door opened

1. Remove the 3 screws holding down the TOP TABLE (1) and separate the connected wires.
2. Disconnect two connector (2) on the left side door. To remove the water coupler from the hinge, twist and pull it from the hinge, twist and pull it from the hinge. Remove the water line (3) while pressing the marked part (4) of the water line coupler.



3. Pull and remove the hinge lever (5) . Remove the ground screw (6) attached to the upper left

door hinges with a philips screwdriver (+). Remove the upper left and right door hinges (7).



4. Lift the door straight up to remove.

5. Remove the screw (8) attached to the lower left and right door hinges with a philips screwdriver (+). Remove the 2 hex head bolts (9) attached to the lower left and right door hinges with an allen wrench (3/16”). Remove the lower left and right door hinges (10)

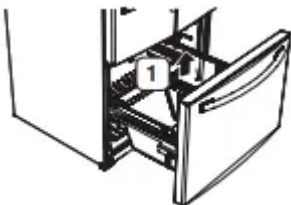
REATTACHING THE REFRIGERATOR DOORS

To reattach the fridge doors after you have moved the fridge to its final location, assemble the parts in reverse order.

1. The Water Line must be fully inserted into the center of the transparent coupler (Type A) or the Guide Lines (Type B) to prevent water leakage from the dispenser.
2. Insert the clip in the install pack, and then confirm that it holds the line firmly.

DISASSEMBLE THE FLEX DOOR

1. Take out the upper drawer by lifting it up.
2. Take out the lower basket (1) by lifting the basket up from the rail system.



3. Press the fixing hook of rail system.

4. Holding the top of the Freezer Drawer, pull it out all the way and then remove it from the rail system.

CAUTION: Be careful not to scratch or dent the sliding rail by letting it strike the floor.

CAUTION: Make sure that you mount the freezer basket in the right position when removing / installing the freezer door. Failing to do so may result in the door not opening or closing properly. Do not overload the bottom basket or the top drawer. Overloading prevents the Freezer drawer from closing properly and will eventually cause frost build-up.

ASSEMBLE THE FREEZER DRAWER

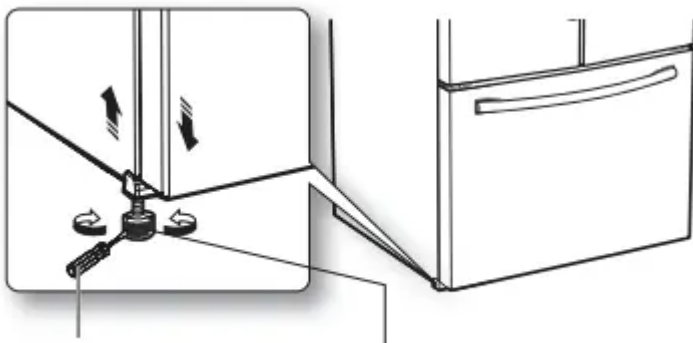
To reattach the drawer after you have moved the fridge to its final location, assemble the parts in reverse order.

ADJUSTING THE LEVEL

Make sure the refrigerator is level so that you can make final adjustments. Use a level to test if the refrigerator is level both side to side and back to front. If the refrigerator is not level, it will not be possible to get the doors perfectly even, which may cause moisture condensation and increased energy bills. Below is an example of how to level the refrigerator if the left side of the refrigerator is lower than the right side.

How to adjust the level

1. Open the freezer drawer and remove the lower basket.
2. Insert a flat-blade screwdriver (-) into the notch on the left control lever, and then turn it counter-clockwise to level the refrigerator. (You turn the lever clockwise to lower the refrigerator and counterclockwise to raise it.)



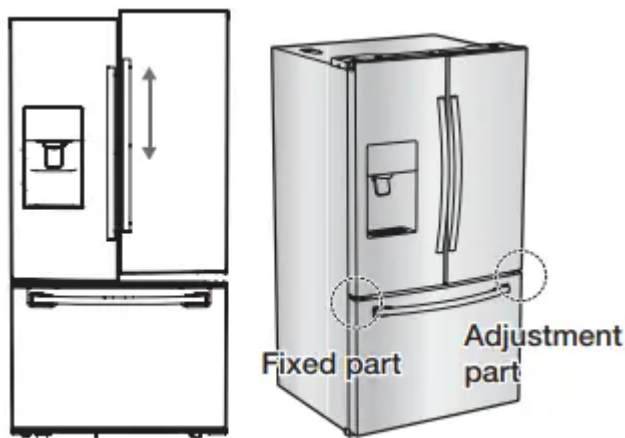
flat-blade screwdriver (-) Control Lever

CAUTION: Both control levers must be touching the floor to avoid possible personal injury or property damage because of tipping.

- If the right side is lower, perform the same procedure, but with the right control lever.
- It is difficult to remove the cover leg front from the refrigerator, so we do not recommend making small adjustments with the control lever. Instead, refer to the next page for the best way to make minor adjustments to the doors.

MAKING MINOR ADJUSTMENTS BETWEEN DOORS

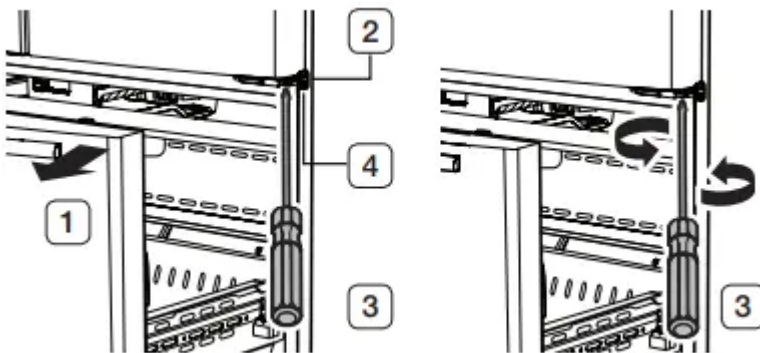
Remember, a leveled refrigerator is necessary for getting the doors perfectly even. If you need help, review the previous section on leveling the refrigerator.



- The left door is fixed. To make minor adjustments between doors, adjust only the right door.

1. Pull out the freezer drawer (1), then you can see the lower hinge (2).
2. Insert a philips screwdriver (+) (3) into the shaft (4) of the lower hinge.
3. Adjust the height by turning a philips screwdriver (+) (3) clockwise () or counterclockwise ().

- When you turn the hex wrench counter clockwise(), the door will move up.



INSTALLING THE WATER DISPENSER LINE

A water dispenser with a filter is one of the helpful features on your new refrigerator. To help promote better health, the water filter removes unwanted particles from your water. However, it does not sterilize or destroy microorganisms. You may need to purchase a water purifying system to do that.

The water line also connects to the ice maker. For the ice maker to operate properly, water pressure of 20~125psi (138~862 kPa) is required.

If the refrigerator is installed in an area with low water pressure (below 20psi), you can install a booster pump to compensate for the low pressure.

After you have connected the water line, make sure the water storage tank inside the refrigerator is properly filled. To do this, press the water dispenser lever until the water runs from the water outlet.

- Water line installation kits are available at extra cost from your dealer. We recommend using a water line installation kit that contains copper tubing and a ¼" compression nut.
- Use the new hose-sets supplied with the appliance only. Do not re-use an old hose set.

Connecting to the water supply line

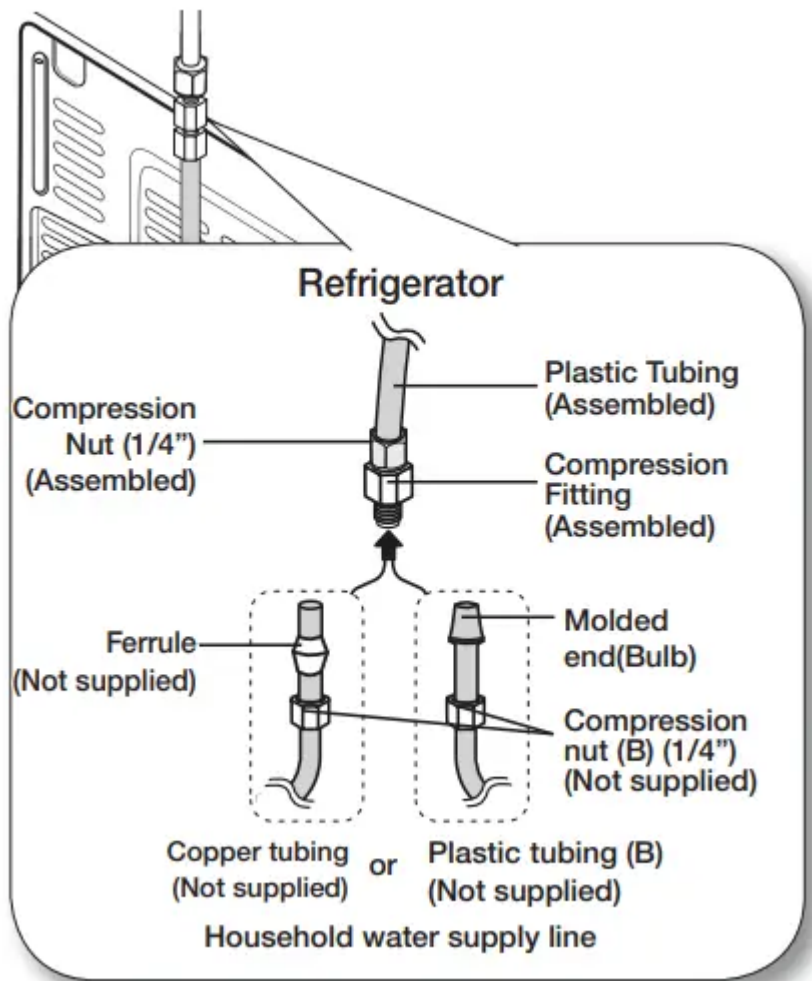
1. First, shut off the main water supply.
2. Locate the nearest cold water drinking line and install the pipe clamp and shut off valve.
3. Connect the water line installation kit to the shut off valve.

Connecting the water supply line to the refrigerator.

There are several items that you need to purchase to complete this connection. You may find these items sold as a kit at your local hardware store.

Use Copper Tubing	Use Plastic Tubing
<ul style="list-style-type: none">• ¼" copper tubing• ¼" compression nut (1pc)• Ferrule (2pc)	<ul style="list-style-type: none">• ¼" plastic tubing- Molded end(Bulb)• ¼" compression nut (1pc)





1. Connect the household water line to the assembled compression fitting.
 - If you are using copper tubing, slip the compression nut (B) (not supplied) and ferrule (not supplied) on the copper tubing (not supplied) as shown.
 - If you are using plastic tubing (B) , insert the molded end (Bulb) of the plastic tubing (B) into the compression fitting.
2. Tighten the compression nut (B) onto the compression fitting. Do not over-tighten the compression nut (B).
3. Turn the water on and check for any leakage. If you find water drops or leakage in the connection areas, turn off the main water supply. Check the connections and, if necessary, tighten.
4. Flush 1 gallon of water through the filter before drinking or using the water from the refrigerator. (Flush approximately 6 minutes.) To flush, press a large glass or cup against the water dispenser lever. Fill the glass, empty it into the kitchen sink after it is filled, and then repeat.
5. After you turn on the refrigerator, let the ice maker make ice for 1 to 2 days. Over that period of time, throw out the first 1 or 2 buckets of ice the freezer makes to ensure all impurities have been removed from the water line.

COMPLETING THE SET UP

Now that you have your new refrigerator installed in place, you are ready to set up and enjoy the features and functions of the appliance. By completing the following steps, your refrigerator should be fully operational.

1. Make sure your refrigerator is in an appropriate location with reasonable clearance between it and the wall. Refer to installation instructions in this manual.
2. Once the refrigerator is plugged in, make sure the interior light comes on when you open the doors.
3. Set the Temperature control to the coldest temperature and wait for an hour. The freezer will get slightly chilled and the motor will run smoothly. Reset the refrigerator and freezer to the temperatures you want.
4. After you plug the refrigerator in, it will take a few hours to reach the appropriate temperature. You can store food and drinks in the refrigerator after the temperature is sufficiently cool.

In the event of a power failure, call the local office of your Electricity Company and ask how long it is going to last.

- Most power failures that are corrected in an hour or two will not affect your refrigerator temperatures. However, you should minimize the number of door openings while the power is off.
- But Should the power failure last more than 24hours, remove all frozen food.

If the key is provided with refrigerator, the keys should be kept out of the reach of children and not be in the vicinity of the appliance. The appliance might not operate consistently (possibility of defrosting of co tents or temperature becoming too warm in the frozen food compartment) when sited for an extended period of time below the cold end of the range of temperatures for which the refrigerating appliance is designed.

Do not store food which goes bad easily at low temperature, such as bananas, melons. Your appliance is frost free, which means there is no need to manually defrost your appliance, as this will be carried out automatically.

Temperature rise during defrosting can comply with ISO requirements. But If you want to prevent an undue rise in the temperature of the frozen food while defrosting the appliance, please wrap the frozen food up in several layers of newspaper. Any increase in temperature of frozen food during defrosting can shorten its storage life.

Do not re-freeze frozen foods that have thawed completely. Install the appliance in a cool, dry room with adequate ventilation.

Ensure that it is not exposed to direct sunlight and never put it near a direct source of heat (radiator, for example).

Never block any vents or grilles on the appliance. Allow warm food to cool down before placing it in the appliance.

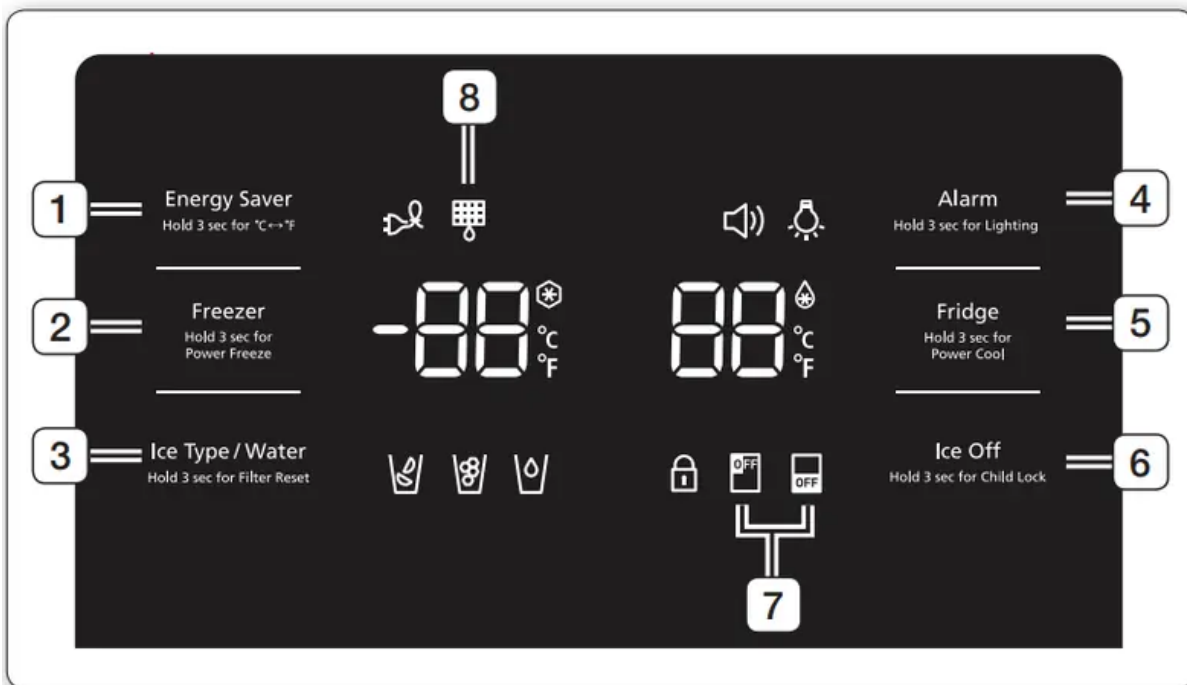
Put frozen food in the refrigerator to thaw. You can then use the low temperatures of the frozen products to cool food in the refrigerator. Do not keep the door of the appliance open for too long when putting food in or taking food out. The shorter time for which the door is open, the less ice will form in the freezer.

Allow clearance to the right, left, back and top when installing.

This will help reduce power consumption and keep your energy bills lower.

Operating your French Door Refrigerator

USING THE CONTROL PANEL



(1) Energy Saver Hold 3 sec for °C °F

Touching this button turns Energy Saver mode on and off. When you turn Energy Saver on, the Energy Saver icon lights. Turn Energy Saver off and the icon goes off. The Energy Saver function automatically turns on when power is supplied to the refrigerator. If condensation or water drops appear on the doors, turn the Energy Saver mode off. Touch and hold this button for 3 seconds to switch the temperature units between °C and °F.

(2) Freezer (Hold 3 sec for Power Freeze)

Touch this button to set the freezer to your desired temperature. You can set the temperature between -8°F and 5°F (between -23°C and -15°C). Touch and hold this button for 3 seconds to decrease the time needed to freeze products in the Freezer. It can be helpful if you need to quickly

freeze easily spoiled items or if the temperature in the freezer has warmed dramatically (For example, if the door was left open).

(3) Ice Type/Water Hold 3 sec for Filter Reset

Touch this button to select the ice or water function. You can select water or the types of ice(cubed/ crushed ice). Each time you press the button, the cubed and crushed ice modes alternate and the Cubed or Crushed ice icon lights up, indicating your selection. After you replace the water filter, touch and hold this button for 3 seconds to reset the water filter life indicator

(4) Alarm Hold 3 sec for Lighting

To turn the door open alarm on and off If the door alarm is set to On, an alarm beeps if any refrigerator door is left open for more than three minutes. The beeping stops when you close the door. The door alarm function is preset to On in the factory back on in the same fashion. The icon lights up when the function is on. You can turn it off by touching and then releasing this button. You can turn it back If you touch and hold the Alarm/Lighting button for 3 seconds, the dispenser LED Lam will stay on. To turn off the light press the button for 3 seconds again.

(5) Fridge Hold 3 sec for Power Cool



Touch this button to set the fridge to your desired temperature. You can set the temperature between 34 °F and 44 °F (between 1°C and 7 °C). Touch and hold this button for 3 seconds to decrease the time needed to cool products in the Refrigerator. It can be helpful if you need to quickly cool easily spoiled items or if the temperature in the fridge has warmed dramatically (For example, if the door was left open)

(6) Ice Off Hold 3 sec for Child Lock

If you don't want to make more ice, touch the ice Off button for 3 seconds turns Touching this button the display on Child Lock which locks panel and dispenser buttons so the buttons can not be used. The Child Lock icon lights up to indicate you've activated the Child Lock function. Press 3 seconds to unlock. The Child Lock are not going to lock the Cool Pantry. The lights and motors start until the refrigerator turns off again

(7) Ice Off

If you don't want to make more ice, The icon will light up and the Ice-Maker stops making ice.

- We recommend you to stop ice making if the following occur:
 - There is enough ice in the ice bucket.
 - You want to save water and energy.
 - Water is not being supplied to the refrigerator.
- If the ice maker function is ON, and the water Line is not connected, there will be a water valve noise from the back of the unit, press the Ice Off (Hold 3sec for child lock) button for less than 3 seconds until the Ice Off Indicator ( ) illuminates.



(8) Filter

Water filter usage

Water filter usage This icon will light up when you need to change the filter. After you use about 300 gallons of water, the filter indicator lights up. (about 6 months). The icon will blink red for several seconds when you open or close the door. After you install the new water filter, reset the filter indicator by touching the Ice Type/Water Hold 3 sec for Filter Reset button

- If water is not dispensing or dispensing slowly, you need to replace the water filter because the water filter is clogged.
- Some areas have large amounts of lime in their water, which causes the water filter to clog more quickly.

Cooling Off Mode

Cooling Off mode (also called Shop mode), is designed for use by retailers when they are displaying refrigerators on the shop floor. In Cooling Off mode, the refrigerator's fan motor and lights work normally, but the compressors do not run, and the refrigerator and freezer do not get cold. To start Cooling Off mode, touch and hold the during normal operation. The refrigerator chime sounds and the temperature display flashes OFF.

To cancel Cooling Off mode, touch and hold the Freezer, Alarm and Fridge buttons again for 5 seconds.

CHANGING THE WATER FILTER

WARNING: To reduce risk of water damage to your property DO NOT use generic brands of water filters in your SAMSUNG Refrigerator.

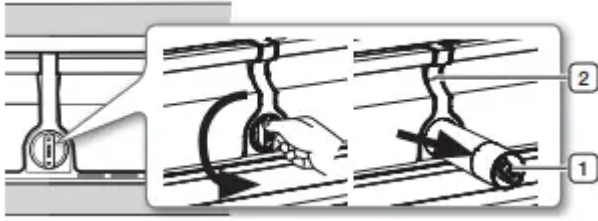
USE ONLY SAMSUNG BRAND WATER FILTERS. SAMSUNG will not be legally responsible for any damage, including, but not limited to property damage caused by water leakage from the use of a generic water filter. SAMSUNG Refrigerators are designed to work ONLY WITH SAMSUNG Water Filter.

The Filter light turns red to let you know when it is time to change your water filter cartridge.

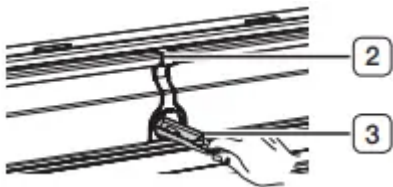
To give you time to get a new filter, the red light comes on just before the capacity of the current filter runs out.

Changing the filter on time provides you with the freshest, cleanest water from your refrigerator.

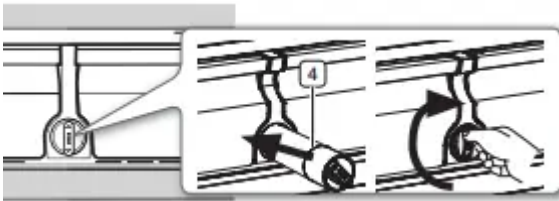
1. Shut off the water supply. Then, turn the water filter (1) about 1/4 turn, counter-clockwise.
2. Pull the water filter (1) from the case filter (2).



- To change the water filter more easily, shut off the water supply valve.
- Sometimes, it is hard to disassemble the water filter because impurities in the water cause it to stick. If you are having difficulties, grip the water filter firmly and pull it hard.
- When you pull the water filter, a little water can leak from the opening. This is normal
- To minimize the water leaks, keep the filter cartridge horizontal when you pull it.
- To prevent overflow, empty the water filter tray (3) and dry around the filter case (2).

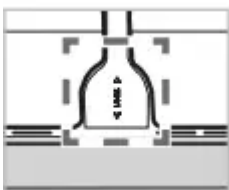


3. Insert the new filter into the filter case (4).





4. Push the filter, and then turn it clockwise until it locks.

- If you have trouble inserting the water filter because of high water pressure, shut off the water supply valve.
- The locked symbol should be lined up with the indicator line.



- The locked symbol should be lined up with the indicator line.

5. “ Touch the Ice Type/Water Hold 3 sec for Filter Reset” button ( (Filter Reset)) for about 3 seconds to reset the water filter. The color of of the indicator () changes from

6. If you turned off the water supply, turn it back on.

Removing any residual matter inside the water supply line after installing the water filter.

1. Turn ON the main water supply and supply water to the refrigerator.
2. Select water in the button "ICE TYPE/WATER", pour 1 Gal (6-7 minutes) to clean the water supplier system and it will take the air out from the lines. possible an additional flushing in the household lines.
3. If after pour 1 Gal the water doesn't turn clear is
4. Open the Refrigerator door and make sure there are no water leaks coming from the water filter.
 - Be sure to flush the dispenser system thoroughly, otherwise water may drip from the dispenser. This means that there is still air in the line.

Reverse Osmosis Water Supply

IMPORTANT :

The pressure of the water supply coming out of a reverse osmosis system going to the water inlet valve of the refrigerator needs to be between 35 and 120 psi (241 and 827 kPa). If a reverse osmosis water filtration system is connected to your cold water supply, the water pressure to the reverse osmosis system needs to be a minimum of 40 to 60 psi (276 to 414 kPa.) If the water pressure to the reverse osmosis system is less than 40 to 60 psi (276 to 414 kPa):

- Check if the sediment filter in the reverse osmosis system is blocked. Replace the filter if necessary.
- Allow the storage tank on the reverse osmosis system to refill after heavy usage.
- If your refrigerator has a water filter, it may further reduce the water pressure when used in conjunction with a reverse osmosis system. Remove the water filter.

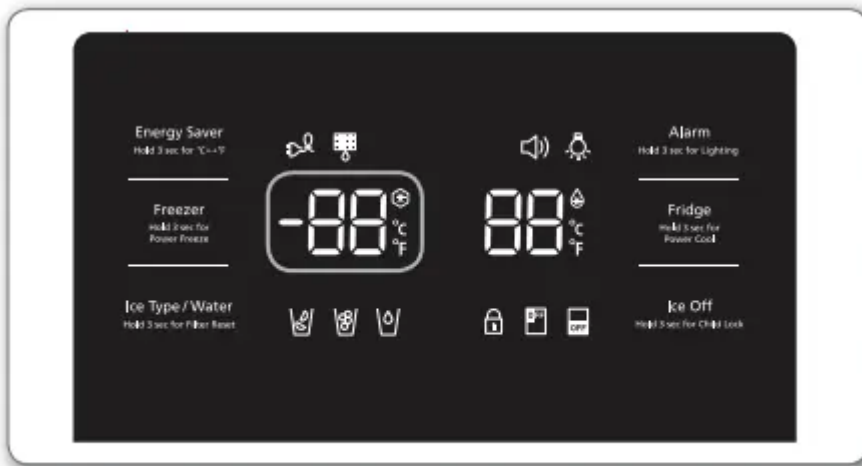
If you have questions about your water pressure, call a licensed, qualified plumber.

CONTROLLING THE TEMPERATURE

Basic temperature of Freezer and fridge compartments

The basic temperature and recommended temperatures of the Freezer and Refrigerator Compartments are 0 °F and 37 °F (or -18 °C and 3 °C) respectively. If the temperature of the Freezer and Refrigerator Compartments are too high or low, adjust the temperature manually.

Controlling the Freezer temperature



Recommend Temp (Freezer) : 0 °F (or -18 °C)

The Freezer temperature can be set between 5 °F (or between -23 °C and -15 °C) to suit your particular needs. Press the Freezer button repeatedly until the desired temperature is shown in the temperature display.

The temperature display will change by 1 °F (or 1 °C) with each press. See below.

Fahrenheit : 0 °F → -1 °F → -2 °F → -3 °F → -4 °F → -5 °F → -6 °F → -7 °F → -8 °F → 5 °F → 4 °F → 3 °F → 2 °F → 1 °F → 0 °F.

Centigrade : -18 °C → -19 °C → -20 °C → -21 °C → -22 °C → -23 °C → -15 °C → -16 °C → -17 °C → -18 °C.

Keep in mind that foods such as ice cream may/ melt at 4 °F (or -15.5 °C).

The temperature display will move sequentially from -8 °F to 5 °F (or from -23 °C to -15 °C).

Controlling the fridge temperature

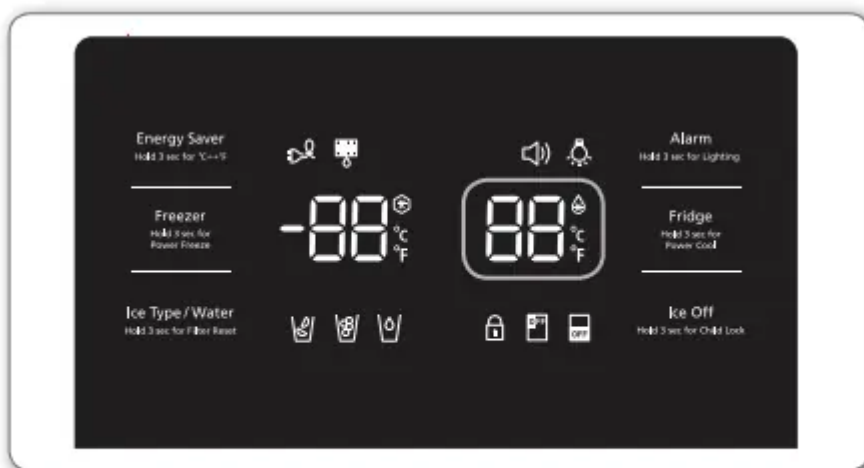
The fridge temperature can be set between 34 °F and 44 °F (or between 1 °C and 7 °C) to suit your particular needs. Press the Fridge button repeatedly until the desired temperature is shown in the temperature display.

The temperature will change by 1 °F (or 1 °C) with each press. See below.

Fahrenheit : 37 °F → 36 °F → 35 °F → 34 °F → 44 °F → 43 °F → 42 °F → 41 °F → 40 °F → 39 °F → 38 °F → 37 °F.

Centigrade : 3 °C → 2 °C → 1 °C → 7 °C → 6 °C → 5 °C → 4 °C → 3 °C.

The temperature control process for the Fridge works just like the Freezer process. Press the Fridge button to set your desired temperature. After a few seconds, the Fridge will begin adjusting towards the newly set temperature. This will be reflected in the digital display.



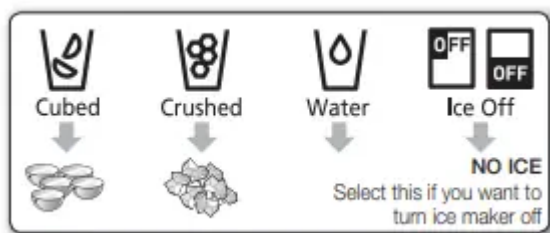
Recommend Temp (Fridge) : 37 °F (or 3 °C)

The temperature of the Freezer, Fridge or Cool Select Pantry Zone may rise when you open the doors too frequently, or if a large amount of warm or hot food is placed inside.

- This may cause the digital display to blink. Once the Freezer and Fridge temperature return to their normal set temperatures, the blinking will stop.
- If the blinking continues, you may need to “reset” the Refrigerator. Try unplugging the appliance, wait for around 10 minutes and then plug the power cord back in.
- If there is a communication error between the Display and Main Controller, the Convertible Display light may blink. If the blinking continues for a long period of time, please contact a Samsung Electronics Service Center.

USING THE COLD WATER DISPENSER

Push the appropriate ice type button to select what you want dispensed.



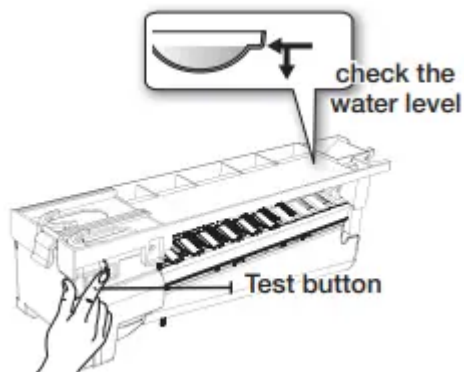
Using the ice Dispenser

Place a glass underneath the ice dispenser and push gently against the dispenser lever with your glass.

Make sure the glass is in line with the dispenser to prevent the ice from bouncing out.

- Please wait 2 seconds before removing the glass under the dispenser to prevent spills. If the Refrigerator door opens, the Dispenser does not work.

- When Cubed Ice is selected after using the Crushed Ice mode, a small amount of residual crushed ice might be produced.
- Do not pull the lever out. You could damage or break the lever's spring

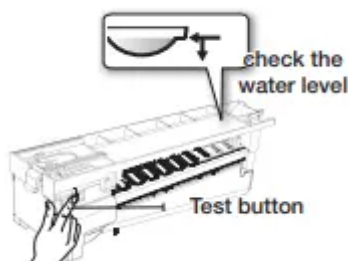


Maintaining the Ice Bucket

- To clean the ice bin/bucket, wash with a mild detergent, rinse well, and dry thoroughly it. Do not use harsh or abrasive cleaners or solvents.
- The ice cubes generated by the rapid ice making process will look white, which indicates they are generated normally.
- As the ice maker in the refrigerator room makes ice cubes even faster, move the ice cubes from the refrigerator ice bin to the freezer ice bin if you need more ice cubes.
- If ice doesn't come out, pull out the ice bucket and press the test button located on the right side of ice maker.
- Do not press the test button continuously when the tray is filled with ice or water. Water may overflow or ice may jam the bucket.
- Normal Use

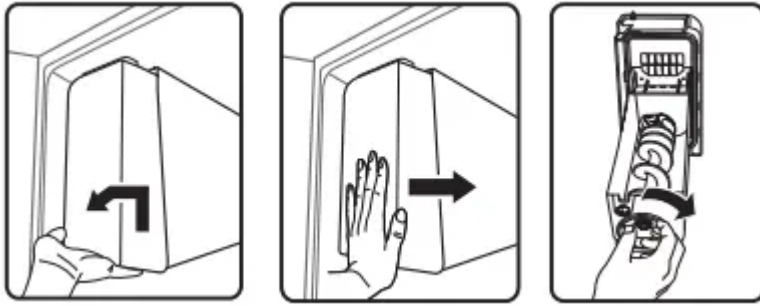
To fill the ice bucket to maximum capacity after installation, follow these steps:

Water may overflow or ice may jam the bucket



To prevent this from happening after a power outage, remove the ice bucket and discard the ice and wastewater.

How to Use Ice Off function



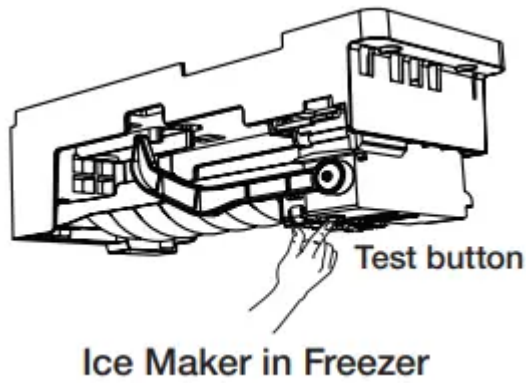
When you select the Off Ice, remove all ice cube tray. If not using the ice dispenser, it is possible to stack the cubes. Hold down the button. Remove the tank in the direction of the arrow. Dispose of ice cubes or ice mass. Push the bottom of the tray until it clicks. If the tray does not fit, turn the propeller 90 degrees and try again.

In order that the ice maker work properly, need a water pressure of 20 ~ 125 psi (138 ~ 862 kPa). Whether traveling for vacation or business and will not use water dispensers and ice for an extended period:

- Close the stopcock. If not, can result in water leakage.
- Remove all food.
- Unplug the refrigerator.
- Remove excess moisture from inside the refrigerator and leave doors open. Otherwise, odor and mold may occur. Do not put fingers, hands or any other inappropriate object in the container or bucket of ice maker. It may cause personal injury or property damage.
- Never put fingers or objects into the dispenser opening Can cause injury. Never try to take the ice maker.
- Do not wipe or spray the ice tray with water while in the refrigerator. Remove for cleaning.

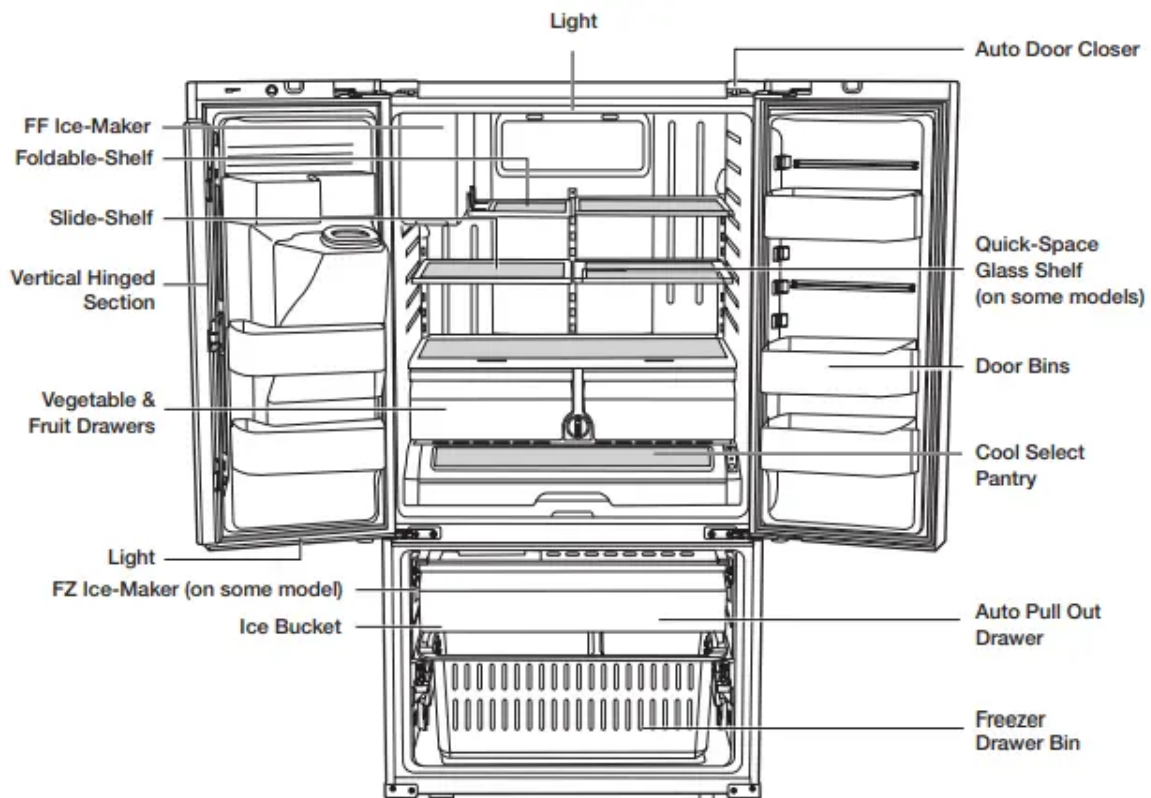
The phenomenon of turbidity

- The water entering the cooler circulates through the main filter is a filter for alkaline water. In the filtering process, the pressure of the water leaving the filter increases, and the water is saturated with oxygen and nitrogen. When it is contacted with air, the pressure drops rapidly and the oxygen and nitrogen is oversaturated and generate gas bubbles.
- Temporarily, water can have a cloudy appearance due to these bubbles of oxygen. After a few seconds, water is colorless.
- Please wait 1 second before removing the cup after dispensing water to prevent spills. Do not pull out the lever dispenser after dispensing ice or water. It comes back automatically. Ice is made in cubes. When you select “Crushed”, the ice maker grinds the ice cubes into crushed ice.



PARTS AND FEATURES

Use this page to become more familiar with the parts and features of the refrigerator



- When closing the door, make sure the Vertical Hinged Section is in the correct position to avoid scratching the other door.
- If the Vertical Hinged Section is reversed, put it back to the right position and close the door.
- Moisture may appear at times on the Vertical Hinged Section.
- The door handle may become loose over time. If this happens, tighten the bolts found on the inside of the door.
- If you close one door with a lot of force, the other door may open.

- When the door opens, the interlock switch automatically turns off the auger motor in the ice maker for safety reasons.
- When the interior or exterior LED lamp has gone out, please contact your service agents.

USING THE COOL SELECT PANTRY

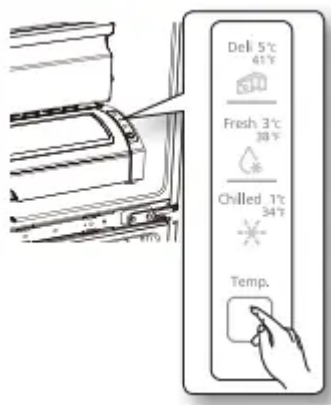
The Cool Select Pantry is a full-width drawer with adjustable temperature control. This pantry can be used for large party trays, deli items, pizza, beverages or miscellaneous items. There is a temperature control which can adjust the amount of cold air allowed into the pantry. The control is located on the right side of the pantry.



- The Pantry has three modes: The Fresh mode, Chilled mode, and Deli mode. Fresh mode is the default. Press the Temp button repeatedly until the mode you want is lit. Once you select a mode, the temperature will change to match the mode you selected.
- The Pantry temperature may change depending on the number of items inside and where they are located, the ambient temperature, and how often the door is opened.

The Pantry Selection Button

1. When you select “Deli”, the temperature of the pantry will be kept around 41 °F (or 5 °C). This feature helps keep food fresh for a long time.
2. When you select “Fresh”, the temperature of the pantry will be kept around 38 °F (or 3 °C). This feature helps keep food fresh for a longer time.
3. When you select “Chilled”, the temperature of the pantry will be kept around 34 °F (or 1 °C). This feature also helps keep meat or fish fresh for a longer time. The table below lists the Pantry modes and the kinds of foods that can be stored safely for each mode.



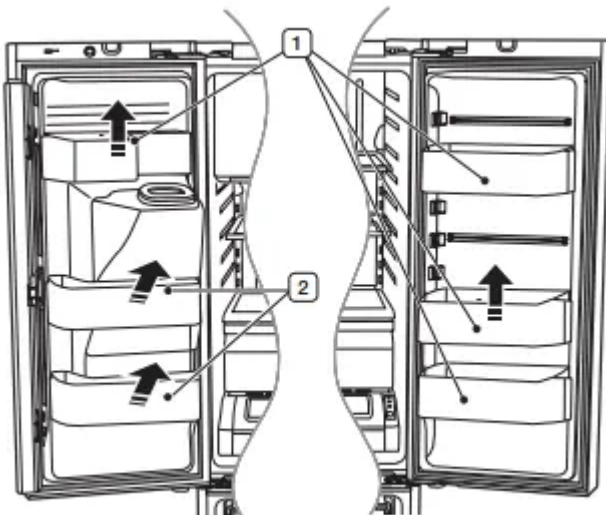
Deli	Fresh	Chilled
• Pineapples	• cucumbers	• steaks
• lemons	• apples	• hard cheeses
• avocado	• oranges	• cold cuts
• potato	• grapes	• bacon
	• zucchinis	• hot dogs
	• corn	

- Fruits and vegetables may be damaged when the “Chilled” mode is set.
- Do not store lettuce or other leafy produce in this pantry.

REMOVING THE REFRIGERATOR ACCESSORIES

1. Door Bins

- **Door Bins (1)**
 - To remove - Simply lift the bin up and pull straight out.
 - To relocate - Slide it in above the desired location and push down until it stops.
- **Door Bins (2)**
 - To remove : Take the right side of the bin out by lifting it at an angle along the guide, and then take the left side out by pulling it from the door.
 - To relocate : Slide it into the original location and push down until it sticks.



CAUTION: Do not adjust a bin full of food. Remove the food first.
To remove dust from the bins - Remove the guard and wash in water.

2. Tempered Glass shelves

- To remove - Tilt up the front of the shelf in the direction shown (1) and lift it up vertically (2). Pull the shelf out.

- To relocate - Tilt the front of the shelf up and guide the shelf hooks into the slots at a desired height. Then lower the front of the shelf so that the hooks can drop into the slots. The Tempered Glass shelves are heavy. Use special care when removing them.

3. Vegetable & Fruit Drawers

To remove - Pull the drawer out to full extension. Tilt up the front of the drawer and pull straight out.

To relocate - Insert the drawer into the frame rails and push back into place.

4. Cool select pantry

To remove the Cool select pantry – Pull the pantry out to full extension. Tilt up the front side of the pantry and pull straight out

To relocate the Cool select pantry – Push the rails to the back of the refrigerator. Place the drawer onto the rails and slide the pantry back until it is in place.

To remove the divider – Pull the pantry completely out to full extension and raise the front side of the divider to unhook it from the rear wall of the pantry, then lift the divider out.

To relocate the divider - Hook the back of the divider over the rear wall of the pantry and push the divider down.

Using the doors

Ensure that the doors close all the way and are securely sealed.

When the refrigerator door is only partially open, it will automatically close. But, the door will stay open when opened more than the auto close range and you must close it manually.

REMOVING THE REFRIGERATOR ACCESSORIES

1. ICE BUCKET (in Auto Pull out drawer)

To remove - Lift the ice bucket (1).

To relocate - Place the ice bucket into the Auto Pull out drawer (2)

2. Super Extended Drawer

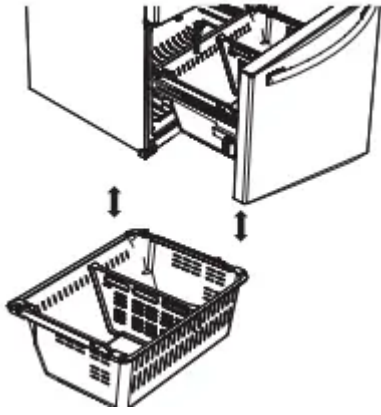
To remove - Pull the drawer out to full extension. Tilt up the rear of the drawer and lift straight out.

To relocate - Place the drawer onto the rails (4) by tilting it up. Lower the drawer into place until it is horizontal and slide the Drawer (3) in.

3. Freezer Drawer

To remove the freezer drawer - Pull the freezer drawer out fully. Tilt up the rear of the bin and lift it out to remove.

To relocate the freezer drawer - Place the bin into the rail assembly.



CLEANING THE REFRIGERATOR

Caring for your Samsung French Door Refrigerator prolongs the life of your appliance and helps keep the refrigerator free of odor and germs.

Cleaning the Interior

Clean the inside walls and accessories with a mild detergent and then wipe dry with a soft cloth. You can remove the drawers and shelves for a more thorough cleaning. Just make sure to dry drawers and shelves before putting them back into place.

Cleaning the Exterior

Wipe the control panel and digital display with a damp, clean, soft cloth. Do not spray water directly on the surface of the refrigerator. The doors, handles, and cabinet surfaces should be cleaned with a mild detergent and then wiped dry with a soft cloth. To keep your appliance looking its best, polish the exterior once or twice a year.

CAUTION Do not spray water directly on the refrigerator. Use a clean, damp cloth to clean.

CAUTION Do not clean the appliance by spraying water directly onto it. Do not use benzene, thinner or alcohol to clean the appliance.

- This may result in discoloration, deformation, damage, electric shock or fire. Do not spray inflammable gas near the refrigerator.
 - There is a risk of explosion or fire.

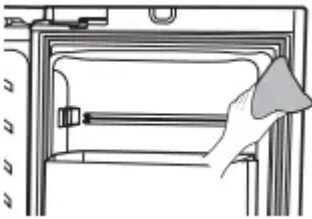
CAUTION You can erase the printed letters on the display if you apply stainless cleaner directly to the area where the letters are printed.

Cleaning the Ice / Water Dispenser

Wipe the Ice / Water Dispenser with a clean and soft cloth.



If the rubber door seals are dirty, the doors may not close properly, and the refrigerator will not operate efficiently. Keep the door seals free of dust or stains by cleaning the doors with a mild detergent and damp cloth. Wipe dry with a clean, soft cloth.



CAUTION: Do not clean the refrigerator with benzene, thinner, or car detergent. These substances could cause a fire.

Cleaning the rear side of the refrigerator

To keep cords and exposed parts free of dust and dirt accumulation. Vacuum the rear side of the appliance once or twice a year.

CAUTION: Do not remove the back cover (1). You could suffer an electric shock

Troubleshooting

The refrigerator does not work at all or it does not chill sufficiently.

- Check if the power plug is properly connected.
- Check if the set temperature on the digital display is warmer than the freezer or fridge inner temperature. If it is, set the refrigerator colder.
- Is the refrigerator in direct sunlight or located near a heat source?
- Is the back of the refrigerator too close to the wall, preventing proper ventilation?

The food in the fridge is frozen.

- Check if the set temperature on the digital display is too low.
- Try setting the refrigerator to a warmer temperature.
- Is the temperature in the room too low? Set the refrigerator warmer.

- Did you store the food which is juicy in the coldest part of the refrigerator? Try moving those items to the other shelves in the fridge instead of keeping them in the colder areas or bins.

You hear unusual noise or sounds.

- Check if the refrigerator is level and stable.
- Is the back of the refrigerator too close to the wall, preventing proper ventilation? Try moving the back of the refrigerator at least 2 inches from the wall.
- Was anything dropped behind or under the refrigerator?
- A “ticking” sound is heard from inside the refrigerator. This is normal and occurs because various accessories are contracting or expanding according to the temperature of the refrigerator interior.
- If it sounds as if something is hitting something else inside the refrigerator, this is normal. The sound is caused by the compressor operating at high capacity.

The cabinet-door sealing area of the appliance is hot and condensation is occurring.

- Some heat is normal as anti-condensators are installed in the vertical hinged section of the refrigerator to prevent condensation.
- Is the refrigerator door ajar? Condensation can occur when you leave the door open for a long time.

Ice Maker is not producing ice.

- Did you wait for 12 hours after installation of the water supply line before making ice?
- Is the water line connected and the shut-off valve opened?
- Did you manually stop the ice making function?
- Is the freezer temperature too warm? Try setting the freezer temperature lower.

You can hear water bubbling in the refrigerator.

- This is normal. The bubbling comes from refrigerant circulating through the refrigerator.

There is a bad smell in the refrigerator.

- Check for spoiled food.
- Foods with strong odors (for example, fish) should be tightly covered.
- Clean out your freezer periodically and throw away any spoiled or suspicious food.

Frost forms on the walls of the freezer.

- Is the air vent blocked? Remove any obstructions so air can circulate freely.
- Allow sufficient space between the stored foods for efficient air circulation.
- Is the freezer drawer closed properly?

Water dispenser is not functioning.

- Is the water line connected and the shut-off valve opened?
- Has the water supply line tubing been crushed or kinked?
- Make sure the tubing is free and clear of any obstruction.
- Is the water tank frozen because the fridge temperature is too low? Try selecting a warmer setting on the Digital display.

Auto close system does not work with the freezer door.

- Is there an imbalance between the right and left parts of the door?
- Open and close the door smoothly 1~2 times. After you do this, the auto close system usually works properly again
- Try opening the door smoothly to avoid unbalancing the right and the left part of the door.

Warning

This content is compiled from multiple sources and is provided for reference purposes only. It may not be complete or fully applicable to all situations. If you are unable to resolve your issue, please contact the product manufacturer or an authorized service provider for official support.