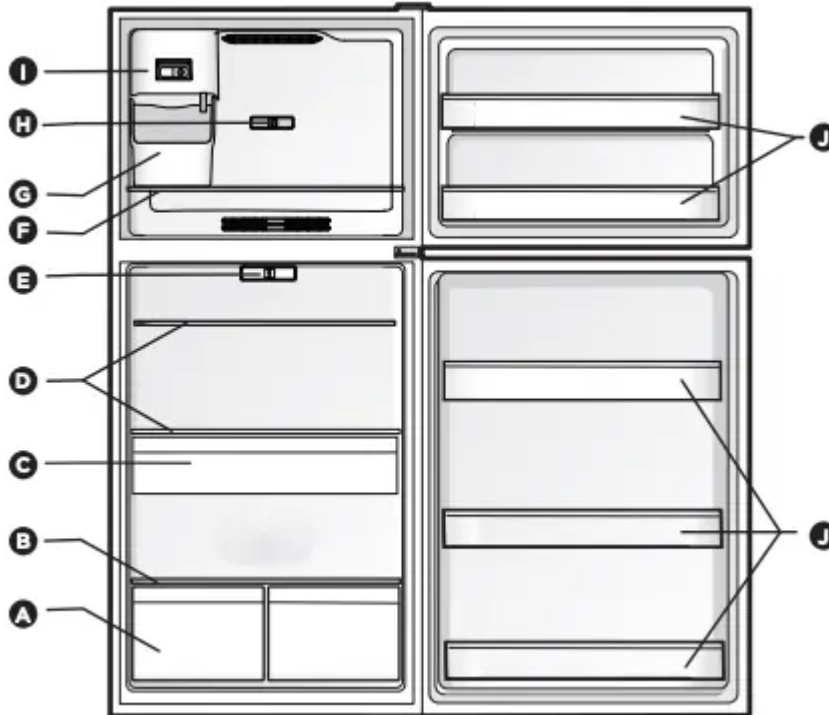


FEATURES (FRIGIDAIRE)

*Features may vary according to model



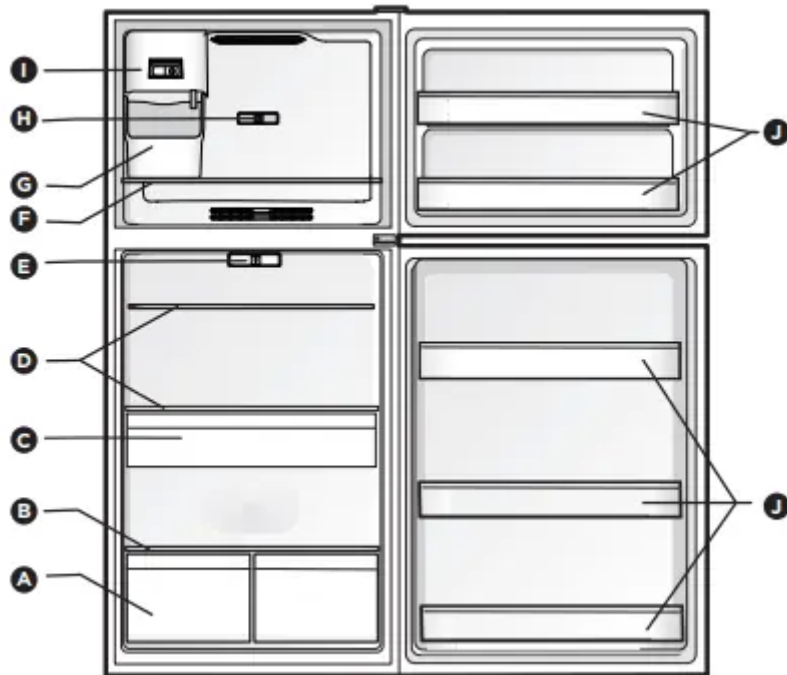
- A. Crisper Drawers
- B. Crisper Cover
- C. Deli Drawer*
- D. Full Shelves
- E. Refrigerator Control
- F. Freezer Shelf
- G. Ice Bucket*
- H. Freezer Control
- I. Ice Maker*
- J. Fixed Door Bins



IMPORTANT:

- Accessories are available for your appliance and may be purchased at Frigidaire.com or by calling 1-800-374-4432 (Frigidaire.ca or 1-800-265-8352 in Canada) or from an authorized seller.

*Features may vary according to model



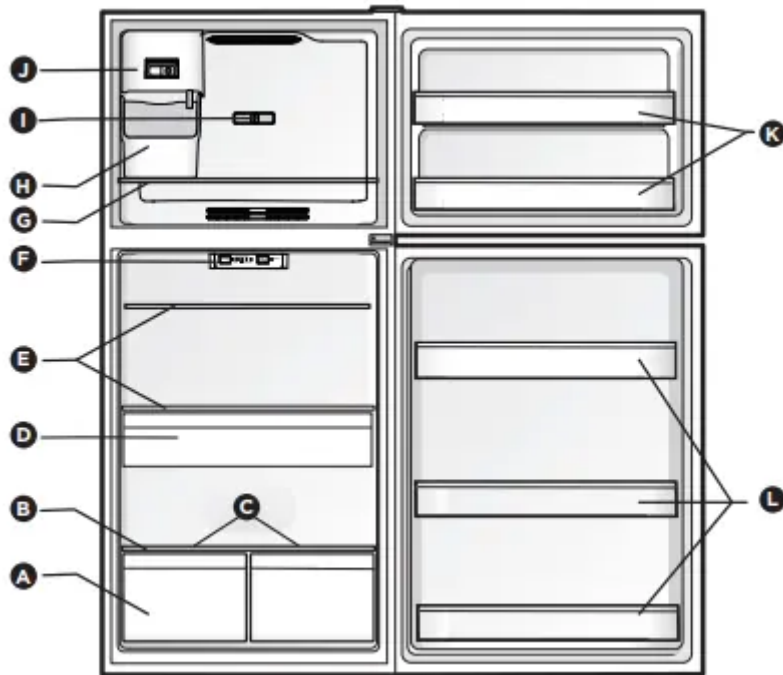
- A. Crisper Drawers
- B. Crisper Cover
- C. Auto Humidity Control Membrane
- D. Full Width Deli Drawer
- E. Full Shelves
- F. Refrigerator Control
- H. Freezer Shelf
- F. Freezer Shelf
- G. Ice Bucket*
- H. Freezer Control
- I. Ice Maker*
- J. Fixed Door Bins



IMPORTANT:

- Accessories are available for your appliance and may be purchased at Frigidaire.com or by calling 1-800-374-4432 (Frigidaire.ca or 1-800-265-8352 in Canada) or from an authorized seller.

***Features may vary according to model**



- A. Crisper Drawers
- B. Crisper Cover
- C. Auto Humidity Control Membrane
- D. Full Width Deli Drawer
- E. Full Shelves
- F. Refrigerator Control
- G. Freezer Shelf
- H. Ice Bucket*
- I. Freezer Control
- J. Ice Maker*
- K. Fixed Door Bins
- L. Adjustable Door Bins



IMPORTANT:

- Accessories are available for your appliance and may be purchased at Frigidaire.com or by calling 1-800-374-4432 (Frigidaire.ca or 1-800-265-8352 in Canada) or from an authorized seller.

INSTALLATION

This Use & Care Guide provides general operating instructions for your model. Use the appliance only as instructed in this Use & Care Guide. Before starting the unit, follow these important first steps.



IMPORTANT

Cleaning your Refrigerator

- Remove tape and glue residue from surfaces before turning the refrigerator on. Rub a small amount of liquid dish soap over the adhesive with your fingers. Rinse with warm water and dry with a soft cloth.
- Do not use sharp instruments, rubbing alcohol, flammable fluids, or abrasive cleaners to remove tape or glue. These products can damage the surface of your refrigerator.
- After you remove all of the package materials, clean the inside of your refrigerator before using it. See the **CARE AND CLEANING** section in this manual.



IMPORTANT

Moving your Refrigerator

Your refrigerator is heavy. When moving the refrigerator for cleaning or service, raise the anti-tip bracket (see “**Setting the Anti-tip Brackets**”). Also be sure to cover the floor with cardboard or hardboard to avoid floor damage. Always pull the refrigerator straight out when moving it. Do not wiggle or “walk” the refrigerator when trying to move it as you could damage the floor.

Location

- Choose a place that is near a grounded electrical outlet. Do Not use an extension cord or an adapter plug.
- If possible, place the refrigerator out of direct sunlight and away from the range, dishwasher or other heat sources.
- The refrigerator must be installed on a floor that is level and strong enough to support a fully loaded refrigerator.
- Consider water supply availability for models equipped with an automatic ice maker. If you do not hook up water to the refrigerator, remember to turn the ice maker off.



CAUTION

- Do not install the refrigerator where the temperature will drop below 50°F (10°C) or rise above 110°F (43°C). The compressor will not be able to maintain proper temperatures inside the refrigerator.

- Do not block the toe grille on the lower front of your refrigerator. Sufficient air circulation is essential for the proper operation of your refrigerator.



CAUTION

- Do not block the lower front of your refrigerator. Sufficient air circulation is essential for the proper operation of your refrigerator.

Installation

Installation clearances

- Allow the following clearances for ease of installation, proper air circulation, and plumbing and electrical connections:

Sides & Top $\frac{3}{8}$ "

Back 1"



NOTE:

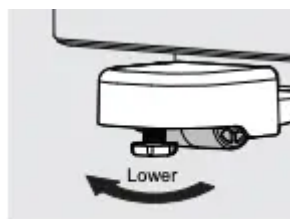
- If your refrigerator is placed with the door hinge side against a wall, you may have to allow additional space for the handle so the door can be opened wider.

Guidelines for final positioning of your refrigerator:

- All 4 corners of the cabinet must rest firmly on the floor.
- The cabinet should be level at the front and rear.
- The sides should tilt $\frac{1}{4}$ " (6 mm) from front to back (to ensure that doors close and seal properly).
- Doors should align with each other and be level.

Setting the Anti-tip Brackets

- The anti-tip brackets are located on the lower front corners of the cabinet. Lower the anti-tip brackets on each side clockwise until they contact the floor. Do not raise the cabinet.



Anti-Tip Bracket

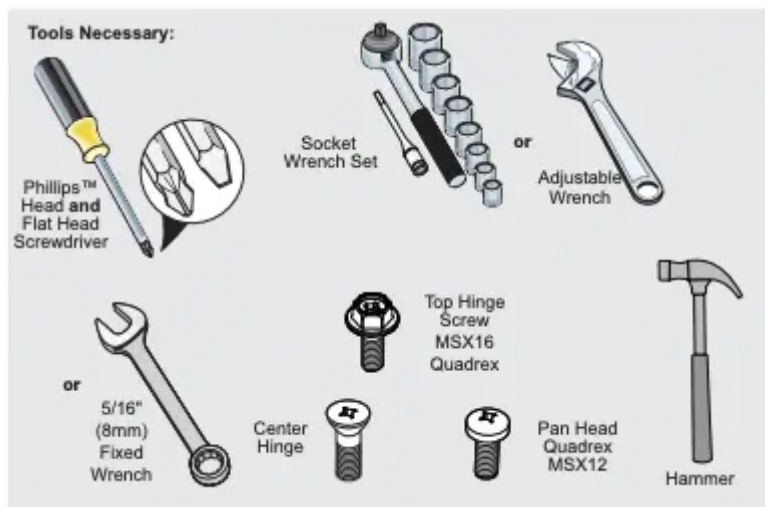


AVERTISSEMENT:



- The anti-tip bracket must be installed according to the instructions in your Use & Care Manual. Failure to do so will result in injury.

DOOR REMOVAL



Door Removal/Reversal (some models)



CAUTION:

- Be sure the doors are set aside in a secure position where they cannot fall and cause personal injury.



NOTE:

- The direction in which your refrigerator doors open (door swing) can be reversed, from left to right or right to left, by moving the door hinges from one side to the other. Reversing the door swing should be performed by a qualified person.



IMPORTANT:

- Before you begin, turn the refrigerator temperature control to **OFF** and remove the electrical power cord from the wall outlet. Remove any food from door shelves.

1. Unplug your refrigerator.

2. Remove the top hinge cover (some models--see Figure 1A). For models without the hinge cover, go to step 3.

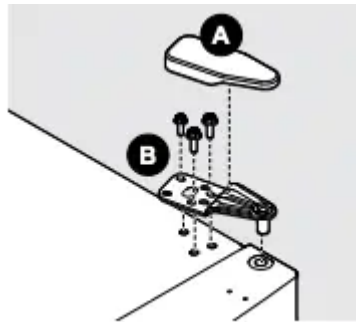


Figure 1

3. Using a 5/16 in. socket, loosen the 3 screws from the top hinge (see Figure 2).

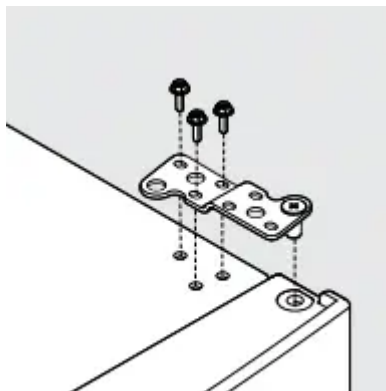


Figure 2

4. Carefully open the freezer door. Lift the loosened the top hinge and lift the door off of center hinge pin. Set the door aside.



NOTE:

- * We do not recommend to using an electric tool to unscrew and screw parts because it may damage the screw threads or cause screw heads to be stripped off. However, if you have an electric tool with torque control, the torque cannot be larger than 6 N·m (53 in.lb).



NOTE:

- Keep the screws so they can be used on the opposite side.



IMPORTANT:

- Place the door on a padded surface to avoid damage.

5. Unscrew the center hinge pin using an adjustable wrench and set it aside (see Figure 3).

6. Open the refrigerator door and lift the door off of the bottom hinge pin. Set the door aside.

7. Remove the 3 center hinge screws using a Phillips screwdriver and set the center hinge aside (see Figure 3).

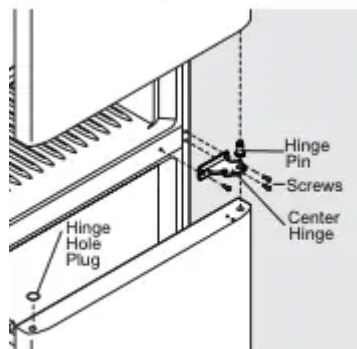


Figure 3

8. Remove the 3 pan head screws on the opposite side of the center hinge (Figure 4) and install them in the holes where the center hinge was attached.



Figure 4

9. Remove both lower hinge covers.

10. Remove the screw from the door stopper with a Phillips screwdriver (see Figure 5).

11. Unscrew the bottom hinge pin from the right-hand position using an adjustable wrench (see Figure 5).

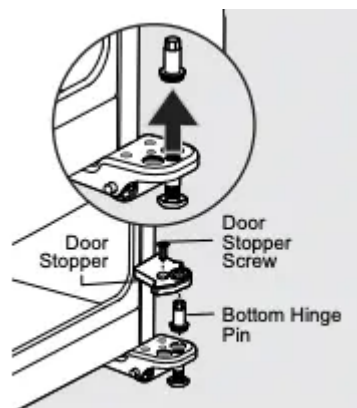


Figure 5

12. Install the bottom hinge pin in the left-hand hole of the left-hand lower hinge (see Figure 6).

13. Flip the door stopper. Reinstall the door stopper on top of the bottom hinge with the screw (see Figure 6).

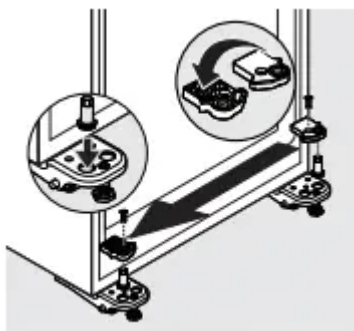


Figure 6

Door Bearing Reversal For Freezer and Refrigerator Doors

1. With a flathead screwdriver, pry out the center hinge bearing from the top of the refrigerator door (see Figure 7A).
2. With a flathead screwdriver, pry out the center hinge bearing plug from the opposite side of the refrigerator door (see Figure 7B).

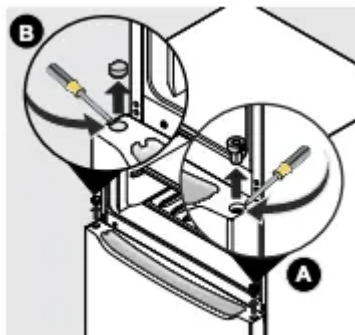


Figure 7

3. Install the hinge bearing on the opposite side by tapping it with a hammer until it is flush with the end cap. Repeat the process for the plug.
4. Reverse the door handle (see **DOOR HANDLE INSTALLATION** section if applicable).
5. Flip the refrigerator door over and remove the screw from the door closer using a Phillips screwdriver and set it aside (see Figure 8A).
6. Pry out the hinge bearing from the door with a straight screwdriver (see Figure 8B).
7. Install the bottom hinge bearing on the opposite side of the door (see Figure 8C).
8. Flip the door closer over and install on the opposite side of the door (see Figure 8C).

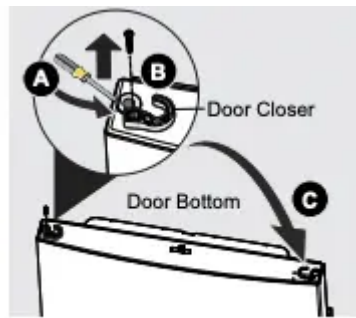


Figure 8

9. Repeat steps 1-8 for the freezer door.

10. Lower the refrigerator door in the opened position on the bottom hinge pin and close the door (see Figure 9).

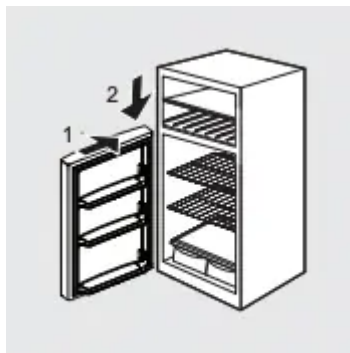


Figure 9

11. Screw in and tighten the center hinge pin using an adjustable wrench.

12. Lower the freezer door in the opened position over the center hinge pin and close the door (see Figure 10).

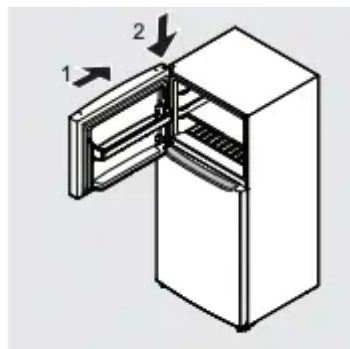


Figure 10

Place the lower hinge cover between the freezer door and refrigerator door to keep it level while attaching the top hinge (see Figure 11).

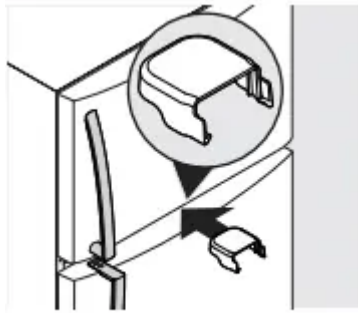


Figure 11

13. Attach the top hinge using a 5/16 in. socket, and then place the top hinge cover (some models) on the unit (see Figure 12).

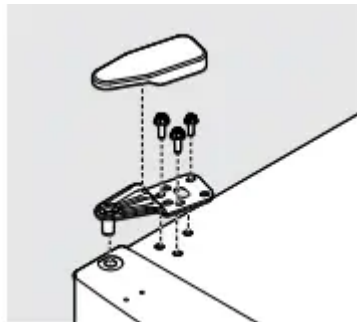


Figure 12

14. For models without the hinge cover, flip the hinge cover over and attach it using a 5/16 in. socket (see Figure 13).

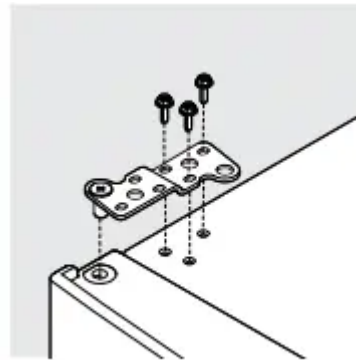


Figure 13

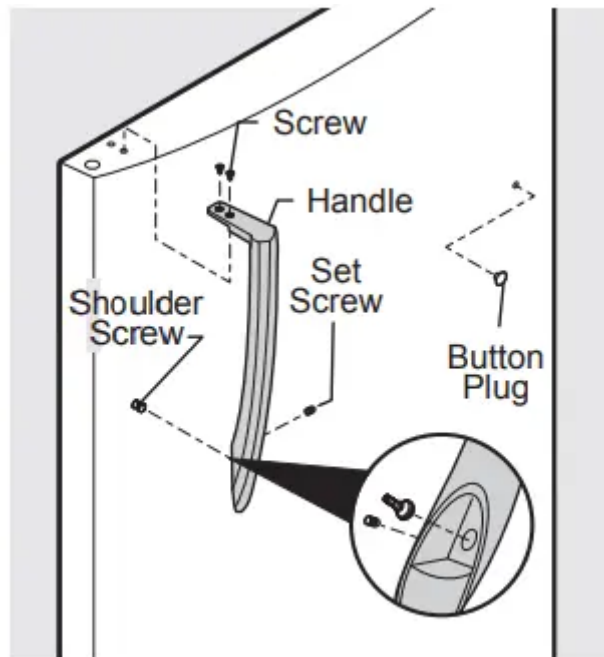
15. Replace the lower hinge covers

DOOR HANDLE INSTALLATION (SOME MODELS)

To attach the metal refrigerator handle (Stainless steel, Black Stainless steel, Stainless Steel EZCare):

1. Place the rounded part of the handle onto the shoulder screw on the face of the door and align the 2 holes in top of handle with the 2 holes in top of the door. Do not tighten the set screw yet.
2. Install the 2 screws into the top of the handle.

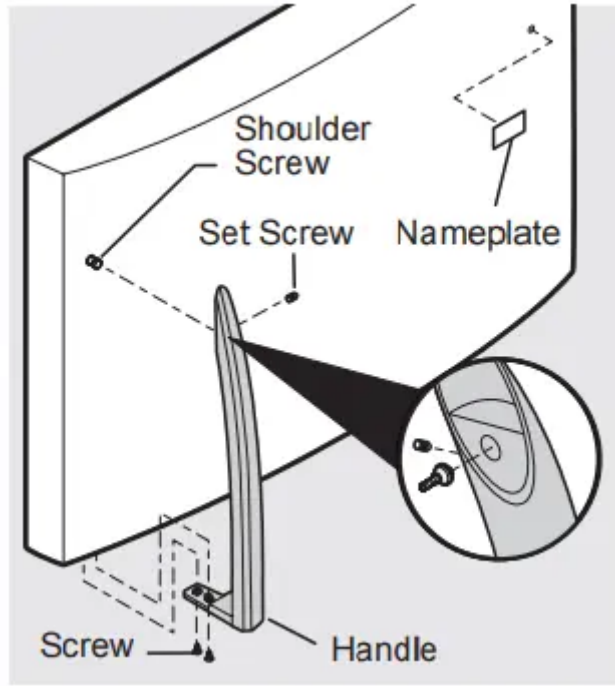
3. Tighten the set screw on the rounded part of the handle until the handle is flush with the door; then tighten another $\frac{1}{2}$ turn.



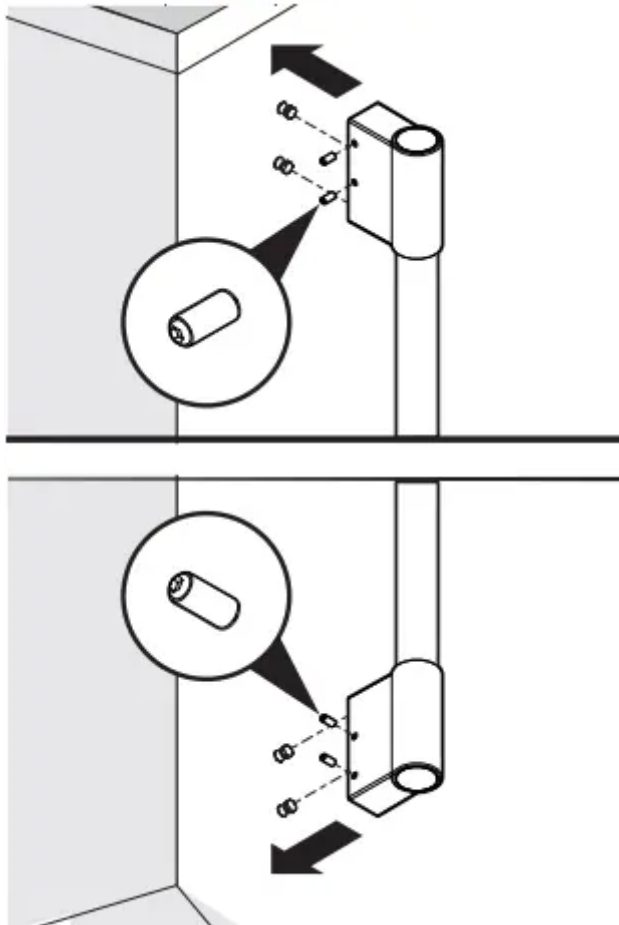
Rounded Doors

To attach the metal freezer handle (Stainless steel, Black Stainless steel, Stainless Steel EZCare):

1. Place the rounded part of the handle onto the shoulder screw on the face of the door and align the 2 holes in bottom of handle with the 2 holes in bottom of door. Do not tighten the set screw yet.
2. Install the 2 screws into the bottom of the handle.
3. Tighten the set screw on the rounded part of the handle until the handle is flush with the door; then tighten another $\frac{1}{2}$ turn.



Rounded Doors



Flat Doors

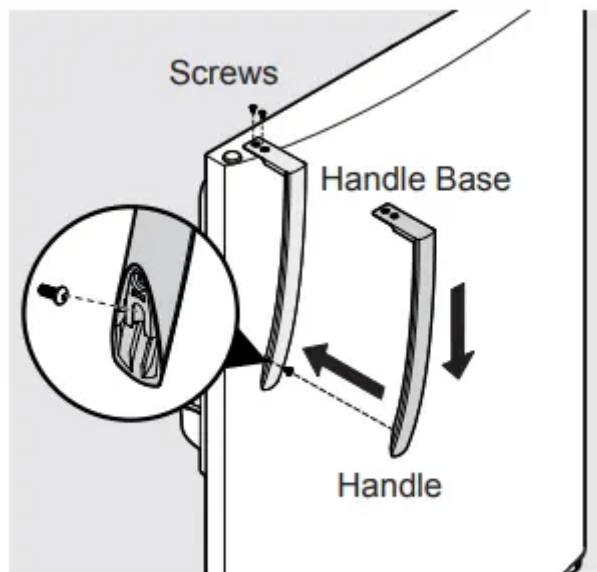


CAUTION:

- Do not use an electric screwdriver to attach the handles; overtightening the handles may crack them. Use a handheld screwdriver only.

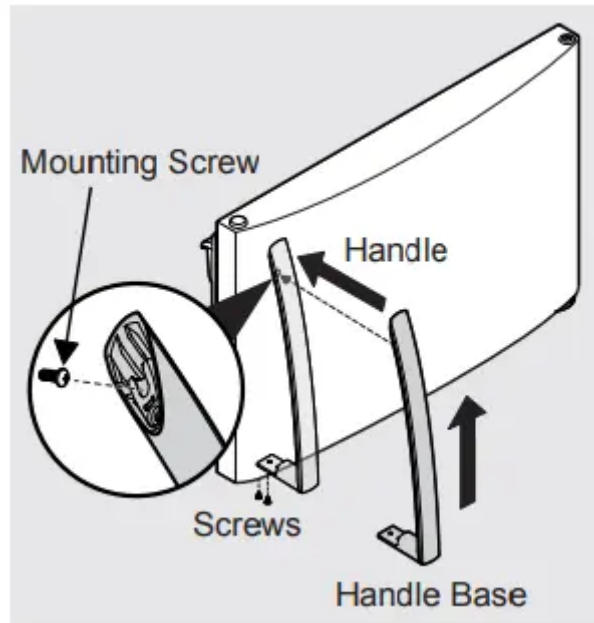
To attach the plastic refrigerator/freezer handle (Smooth white/black):

1. With the door open, place the end of the handle on the dove tail mounting screw and pull it down to secure it in place.
2. Align the handle base with the holes in top of the door.
3. Install screws packaged with the handle.



To attach the plastic freezer handle (Smooth white/black):

1. With the door open, place the end of the handle on the dove tail mounting screw and push it up to secure it in place.
2. Align the handle base with holes in the bottom of the door.
3. Install screws packaged with the handle.



To reverse the door handles:

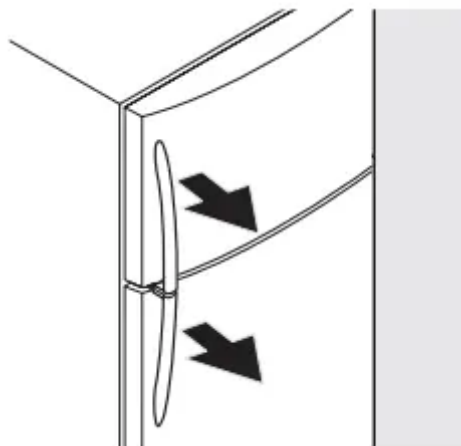


CAUTION:

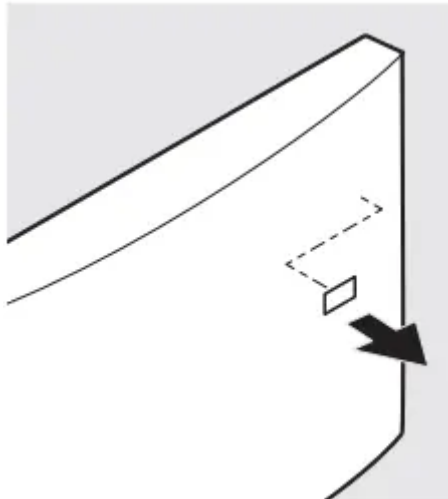
- Be sure the doors are set aside in a secure position where they cannot fall and cause personal injury

The handles may be easier to reverse while the doors are off.

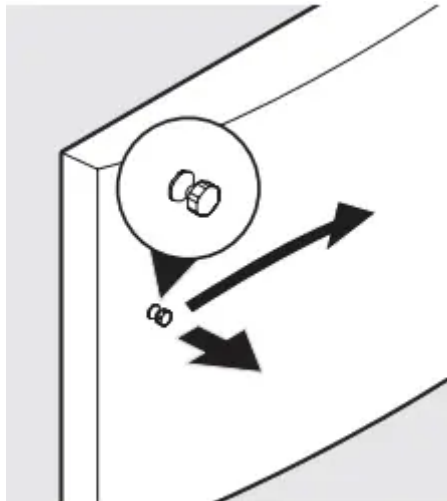
1. 1. Unscrew and remove the handles



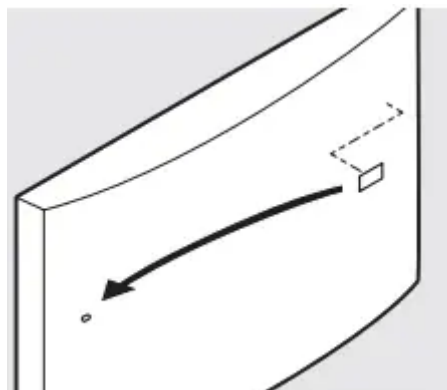
1. 2. Remove the name plate on the freezer door.



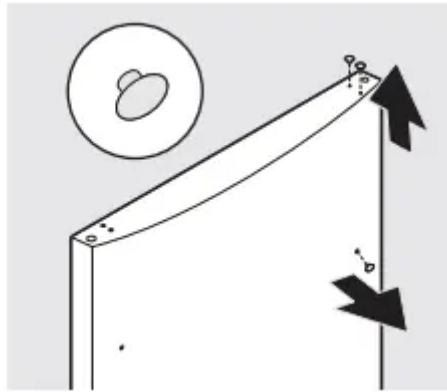
1. 3. Remove the shoulder screw on the opposite side of the freezer door and install the shoulder screw where the name plate was removed using an adjustable wrench or Phillips head screwdriver.



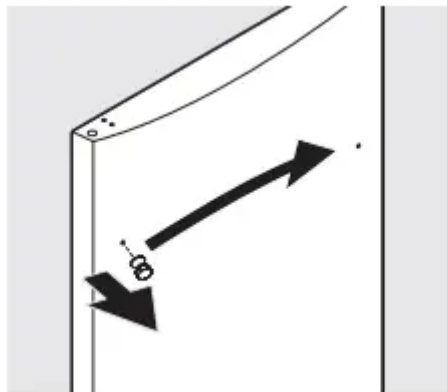
1. 4. Install the name plate on the opposite side of the freezer door.



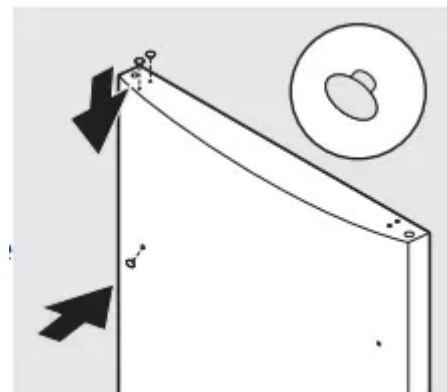
1. 5. Remove the button plugs from the front and top of the refrigerator door.



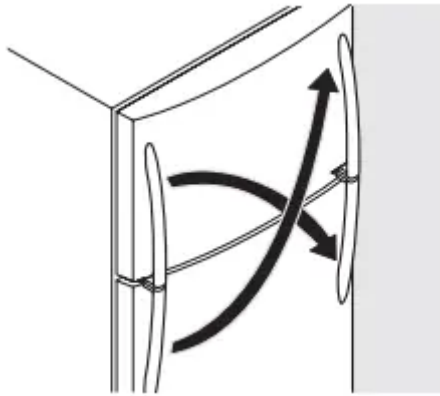
1. 6. Remove the shoulder screw on the left side, and install the shoulder screw on the opposite side of the door using an adjustable wrench or Phillips head screwdriver.



1. 7. Install the button plugs on the opposite side of the front and top of the refrigerator door



1. 8. Reverse and attach the freezer and refrigerator handles as shown.



WATER SUPPLY CONNECTION

Ice Maker Models Only



NOTE:

- Automatic ice makers are optional accessories that you may install in most models at any time. Visit www.frigidaire.com for information about Ice Maker Kit 117000.



WARNING:

- To avoid electric shock, which can cause death or severe personal injury, disconnect the refrigerator from electrical power before connecting a water supply line to the refrigerator.



CAUTION:

To Avoid Property Damage:

- Use stainless steel braided tubing for the water supply line. Do not use water supply tubing made of ¼ in. plastic. Plastic tubing greatly increases the potential for water leaks, and the manufacturer will not be responsible for any damage if you use plastic tubing for the supply line.
- DO NOT install water supply tubing in areas where temperatures fall below freezing.
- Chemicals from a malfunctioning softener can damage the ice maker. If the ice maker is connected to soft water, ensure that the softener is maintained and working properly.



IMPORTANT:

- Ensure that your water supply line connections comply with all local plumbing codes.

Before Installing The Water Supply Line, You Will Need:

- Basic Tools: adjustable wrench, flat-blade screwdriver, and Phillips screwdriver
- Access to a household cold water line with water pressure between 30 and 100 psi.

- A water supply line made of stainless steel tubing. To determine the length of tubing needed, measure the distance from the ice maker inlet valve at the back of the refrigerator to your cold water pipe, so the refrigerator can be moved out for cleaning.
- A shutoff valve to connect the water supply line to your household water system. DO NOT use a self-piercing type shutoff valve.
- Do not reuse compression fitting or use thread seal tape.



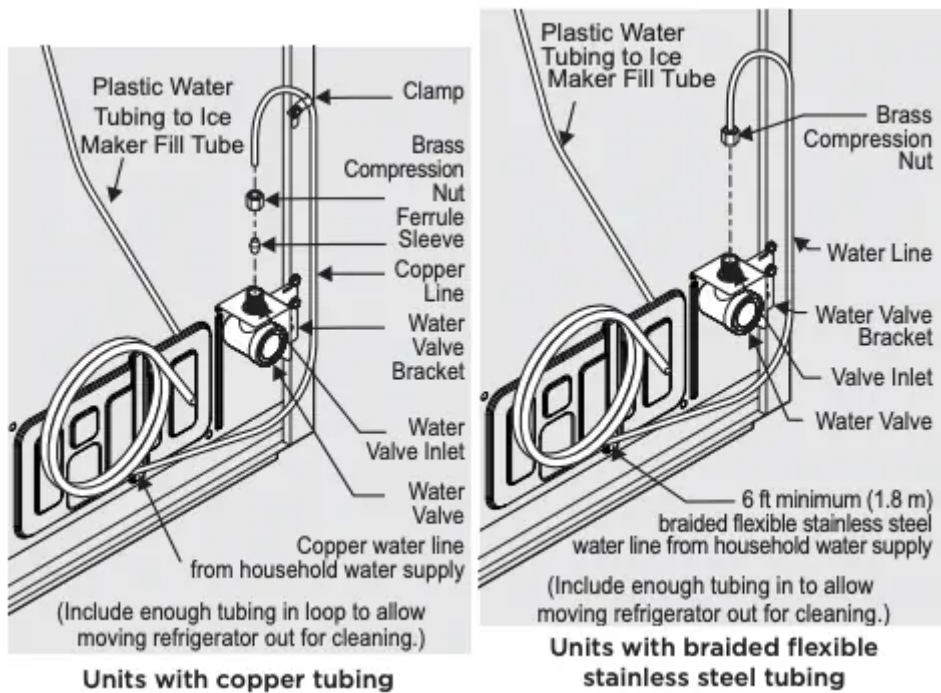
NOTE:

- Check with your local building authority for recommendations on water lines and associated materials prior to installing your new refrigerator. Depending on your local/state building codes, Frigidaire recommends for homes with existing valves its **Smart Choice®** water line kit 5304437642 (with a 6 ft. Stainless Steel Water Line) and for homes without an existing valve, Frigidaire recommends its **Smart Choice®** water line kit 5304493869 (with a 6' Polyline Waterline). Please refer to www.frigidaire.com for more information.

To Connect the Water Supply Line To the Ice Maker Inlet Valve

1. Disconnect the refrigerator from the electrical power source.
2. Place the end of water supply line into a sink or bucket. Turn ON the water supply and flush the supply line until the water is clear. Turn OFF the water supply at the shutoff valve.
3. Remove the plastic cap from the water valve inlet and discard the cap.
4. **If you use copper tubing**, slide brass compression nut, and then the ferrule (sleeve) onto the water supply line. Push the water supply line into the water valve inlet as far as it will go (¼" / 6.4 mm). Slide the ferrule (sleeve) into valve inlet and finger tighten the compression nut onto the valve. Tighten another ½ turn with a wrench; DO NOT overtighten. See below.

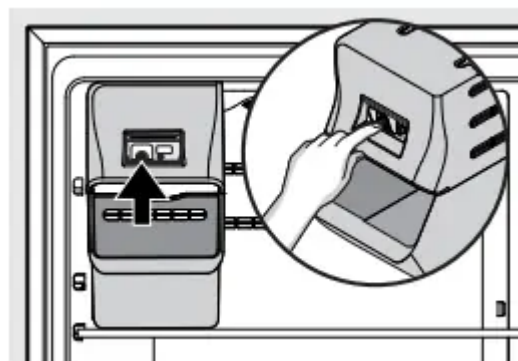
If you use braided flexible stainless steel tubing, the nut is already assembled on the tubing. Slide the nut onto the valve inlet and finger tighten the nut onto valve. Tighten another ½ turn with a wrench; DO NOT overtighten. See below.



5. With the steel clamp and screw, secure the water supply line (copper tubing only) to the rear panel of refrigerator as shown.

6. Coil the excess water supply line (copper tubing only), about 2½ turns, behind the refrigerator as shown and arrange the coils so they do not vibrate or wear against any other surface.

7. To turn the ice maker on, press the ice maker's On/Off power switch so the LED is illuminated.



8. Turn ON the water supply at the shutoff valve and tighten any connections that leak.

9. Reconnect the refrigerator to the electrical power source.

ICE MAKER



NOTE:

- Automatic ice makers are optional accessories that you may install in most models at any time. Visit www.frigidaire.com for information about Ice Maker Kit 117000.

If your refrigerator has an automatic ice maker, it will produce minimal ice during the first 24 hours of operation. Air in new plumbing lines may cause the ice maker to cycle 2 or 3 times before making a full tray of ice. With no usage, it will take approximately 1 to 2 days to fill the ice container.


New plumbing connections may cause the first production of ice cubes to be discolored or have an odd flavor. Discard ice made during the first 24 hours.




IMPORTANT:

- The ice maker is shipped in the **On** position. To ensure proper function for your ice maker, hook up the water supply immediately or turn the ice maker **Off**. If the ice maker is on and the water supply is not connected, the water valve will make a loud chattering noise.

Turning your Ice Maker On

- After completely connecting the plumbing, you must open the water supply valve. Place the ice container under the ice maker, pushing it as far back as possible. Press the ice maker's On/Off  button.

Turning your Ice Maker Off

- To stop the ice maker, press the ice maker's On/Off  button. The ice maker regulates the ice production and stops making ice when full and starts again when ice is low in the ice container.

ICE PRODUCTION: WHAT TO EXPECT

- The ice maker will produce 2 to 2.5 pounds of ice every 24 hours depending on usage conditions. Ice is produced at a rate of 10 cubes every 100 to 160 minutes.



CAUTION:

- Do Not place the ice container in your dishwasher.

CONTROLS AND SETTINGS

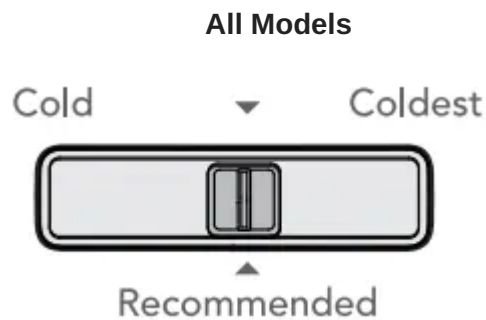
Cool Down Period

To ensure safe food storage, allow the refrigerator to operate with the doors closed for at least 8 hours before loading it with food.

NOTE:

- When first turning the refrigerator on, adjust the control to **Recommended**. After 24 hours, adjust the controls as needed.

Freezer Control



NOTE:

- If your unit is in a garage or area where the temperature is below 50° F, adjust the freezer control to the coldest setting to improve performance.

Refrigerator Controls



IMPORTANT:

- Adjusting the refrigerator temperature control to **OFF** turns off the compressor and prevents the refrigerator from cooling, but does not disconnect the power to the light bulb and other electrical components. To turn off power to your refrigerator, you must unplug the power cord from the wall outlet

Temperature Adjustment

Adjust the temperature gradually: adjust the knob in small increments, allowing the temperature to stabilize.

- For colder temperatures, adjust the control toward **Coldest**.
- For warmer temperatures, adjust the control toward **Cold**.

Adjusting the refrigerator control will change temperatures in both compartments. The freezer control can be left at the factory preset (***Recommended**) or adjusted as desired. To maintain temperature, a fan circulates air in the refrigerator and freezer compartments. For good circulation, do not block cold air vents with food items.

Frigidaire Gallery and Professional



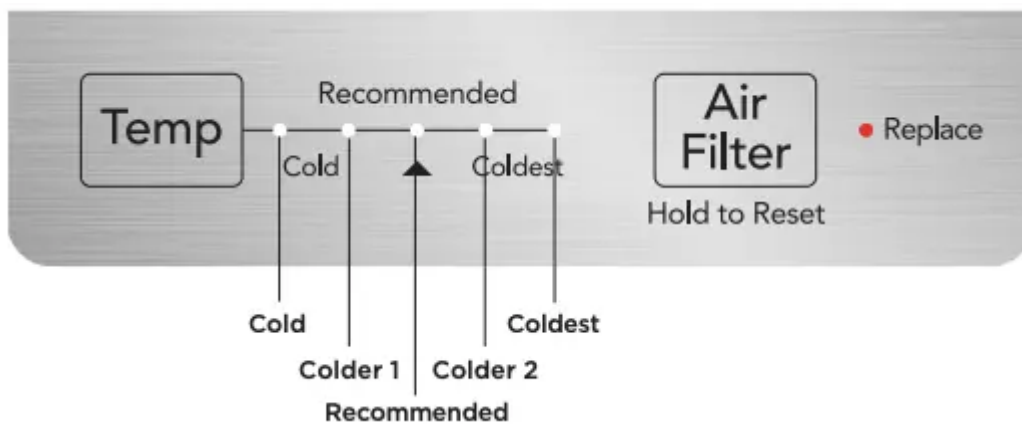
Temperature Adjustment

Adjust the temperature gradually: adjust in small increments, allowing the temperature to stabilize.

- For colder temperatures, press the **Temp** button to change the temperature setting toward **Coldest**.
- For warmer temperatures, press the **Temp** button to change the temperature setting toward **Cold**.

NOTE:

- Pressing the **Temp** button will scroll through the 5 temperature settings toward the coldest setting, and then loop back to the least coldest setting.



Adjusting the refrigerator control will change temperature in both compartments. The freezer control can be left at the factory preset (***Recommended**) or adjusted as desired. To maintain

temperatures, a fan circulates air in the refrigerator and freezer compartments. For good circulation, do not block cold air vents with food items.

Air Filter

- The filter status light on the control panel will prompt you to replace the filter after 6 months. After replacing the air filter, the air filter status on the control panel should be reset. To reset, Press and hold for 3 seconds.

Door Alarm

- If the door is left open for 5 or more minutes, the door alarm will sound. Clear the alarm by closing the door or by pressing any button.

Sabbath Mode (Frigidaire Gallery/Professional)

- The Sabbath Mode is a feature that disables portions of the refrigerator and its controls in accordance with observance of the weekly Sabbath and religious holidays within the Orthodox Jewish community.



NOTE:

- The temperature setting is not affected by the Sabbath Mode.

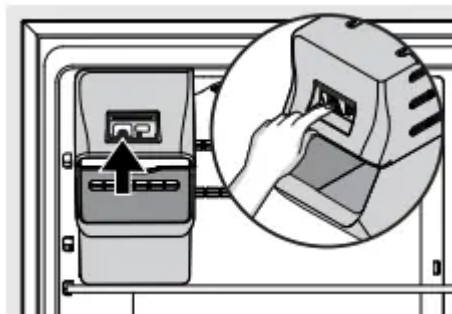
To enter Sabbath Mode

1. Press and hold the **Temp** and **Air Filter** buttons for 5 seconds.



One LED on each side of **Recommended** setting will be lit while the unit is in Sabbath mode.

2. Press the ice maker's On/Off power switch to turn the ice maker off. The LED will not be illuminated.



To exit **Sabbath Mode**, reverse the steps above



NOTE:

- While in Sabbath Mode, neither the lights nor the control panel will work until Sabbath Mode is deactivated. The refrigerator stays in Sabbath Mode after power failure recovery. Deactivate it with the buttons on the control panel.



NOTE:

- Although you have entered the Sabbath Mode, the ice maker will complete the cycle it had already initiated. The ice cube compartment will remain cold and you can make new ice cubes with standard trays.



For further assistance, guidelines for proper use and a complete list of models with the Sabbath feature, please visit www.star-k.org.

STORAGE FEATURES

Door Storage

- Door bins, shelves, and racks conveniently store jars, bottles, and cans. You can quickly select frequently used items.

Door Bin

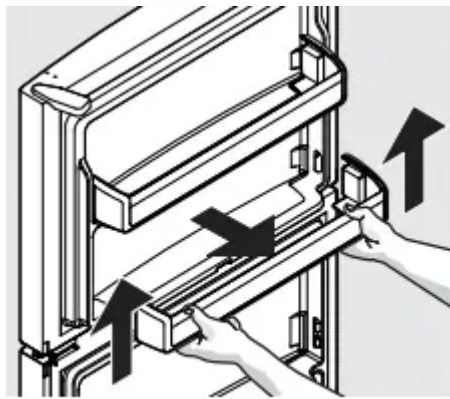
- Door bins can accommodate gallon-sized plastic drink containers and economy-sized jars and containers.

To remove the door bin:

1. Lift up on the bin
2. Pull it straight out

To install the door bin:

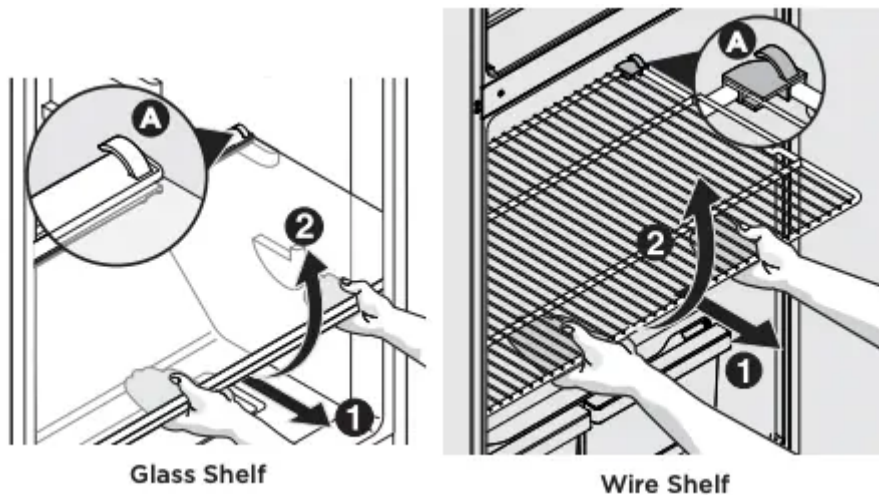
1. Push the bin back and down into the locking tabs.
2. The bin sides will lock into the tabs.



Door Bin

Shelf Adjustment

- The shelves are easy to adjust to suit individual needs. Before adjusting the shelves, remove all food.
- **To adjust shelves**, slide the shelf by moving it forward and lifting it upward.
- **To replace shelves**, insert the rear of the shelf into any pair of shelf rails and carefully push the shelf back into position, making sure the shelf clips (A) go in the notch in the liner.



Glass Shelf

Wire Shelf



CAUTION:

- When reinstalling the shelf, ensure the shelf clip is attached to the liner and holds it in place.



CAUTION:

- Do not clean glass shelves or covers with warm water when they are cold. Shelves and covers may break if exposed to sudden temperature changes or impact, such as bumping. Tempered glass is designed to shatter into many small, pebble-size pieces.

This is normal. Glass shelves and covers are heavy. Use both hands when removing them to avoid dropping.

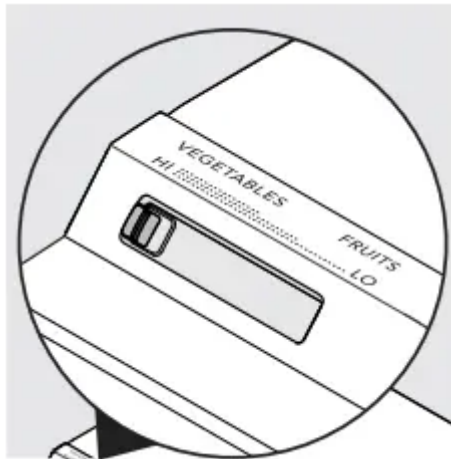


CAUTION:

- To avoid personal injury or property damage, handle tempered glass shelves carefully. Shelves may break suddenly if nicked, scratched, or exposed to sudden temperature change.

Crisper Humidity Control (some models)

- The crisper humidity control, present on the crisper drawers of some models, allows you to adjust the humidity within the crisper. This can extend the life of fresh vegetables that keep best in high humidity



NOTE:

- Leafy vegetables keep best when stored with the Humidity Control set on High Humidity, or in a drawer without a Humidity Control. This keeps incoming air to a minimum and maintains maximum moisture content. Store non-leafy vegetables and fruits still in their skins at the low humidity setting.

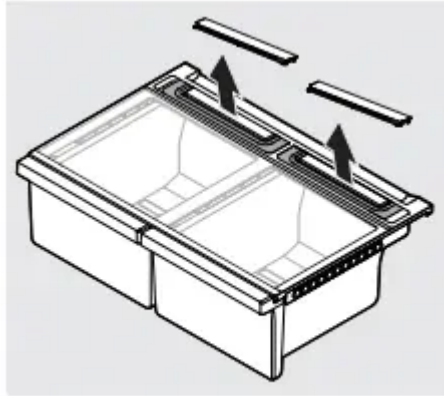
Auto-Humidity Control (some models)

Some crispers have an auto-humidity control at the rear of each crisper under the humidity control cover.

To remove the auto humidity control for cleaning:

1. Reach to the back of the humidity control cover.
2. Pull up on the cover.
3. Pull the cover toward the back of the cabinet and remove.
4. Clean the humidity control with hot soapy water.

5. Replace the clean humidity control cover by reversing the steps above. Repeat for both crispers.



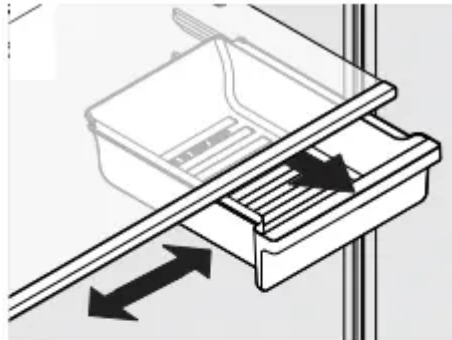
Remove the auto humidity cover

NOTE:

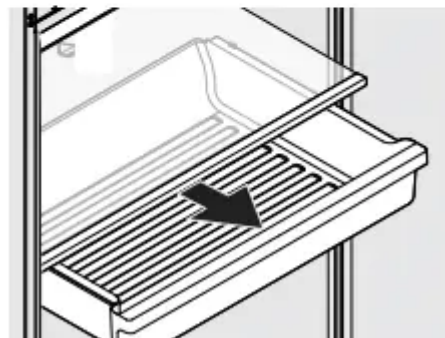
- We do not recommend replacing the auto-humidity membrane unless it becomes damaged or ruined. If the membrane becomes soiled, it can be washed with soap and water. Ensure the membrane is dry before replacing it in the cover and back in the unit.

Deli Drawer (some models)

Use the deli drawer for storage of luncheon meats, spreads, cheeses, and other deli items. Please be sure to support the glass when removing the drawer.



Half Width Deli Drawer



Full Width Deli Drawer



NORMAL OPERATING SOUNDS

Understanding the sounds you may hear

- Your new, high-efficiency refrigerator may introduce unfamiliar sounds. These sounds normally indicate your refrigerator is operating correctly. Some surfaces on floors, walls, and kitchen cabinets may make these sounds more noticeable.



NOTE:

- Rigid foam insulation is very energy efficient but is not a sound insulator.

Following is a list of major **components** in your refrigerator and the sounds they can cause:

A Evaporator Refrigerant through the evaporator may create a boiling or gurgling sound.

B Evaporator fan You may hear air being forced through the refrigerator by the evaporator fan.

C Defrost heater During defrost cycles, water dripping onto the defrost heater may cause a hissing or sizzling sound. After defrosting, a popping sound may occur.



IMPORTANT:

- During the automatic defrost cycle, you may notice a red glow in the vents on the back wall of your freezer compartment. This is normal during the defrost cycle.

D Automatic ice maker When ice has been produced, you will hear ice cubes falling into the ice bin.

E Condenser fan You may hear air being forced through the condenser.

F Compressor Modern, high-efficiency compressors run much faster than in the past. The compressor may have a high-pitched hum or pulsating sound.

G Water valve If your refrigerator is equipped with an automatic ice maker, you will hear a buzzing sound as the water valve opens to fill the ice maker during each cycle

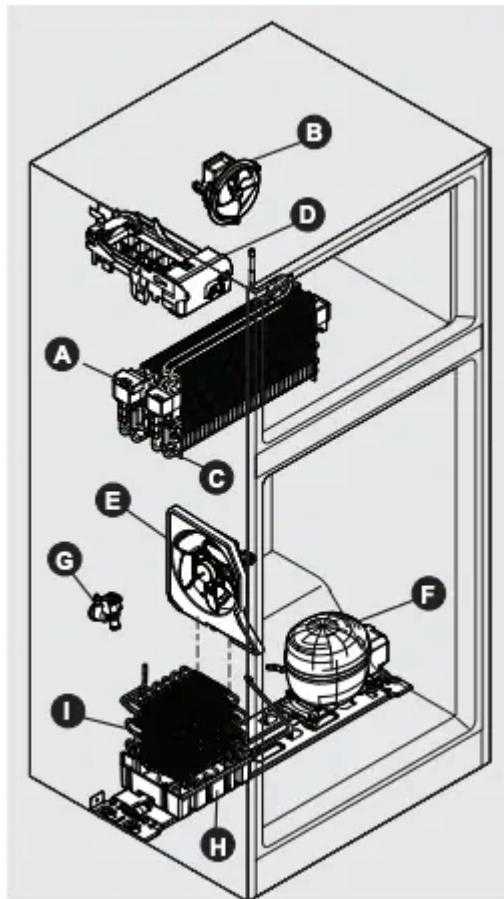
H Drain pan (not removable) You may hear water dripping into the drain pan during the defrost cycle.

I Condenser The condenser may create minimal sounds from forced air.



IMPORTANT:

- **Ice Maker models only:** If the ice maker is not connected to the household water supply, you may hear a loud chattering noise. Turn off the ice maker by pressing the green ON/ OFF power switch (green LED light will turn off) until you install the water supply line.



FILTER REPLACEMENT

PureAir Ultra II™ Air Filter

- Keep your refrigerator fresh with our PureAir Ultra II™ air filter's active carbon technology that absorbs and captures undesirable odors more effectively than baking soda. To ensure optimal filtering of refrigerator odors, change the filter every 6 months.
- The air filter is located in the top center of the fresh food compartment.
- For models with the filter housing already installed, you may purchase a PureAir Ultra II™ replacement filter (PAULTRA2) at www.frigidaire.com.
- For models that are air filter ready, you will need to purchase a starter kit (BRPAULTRA2KIT) at www.frigidaire.com.
- The kit includes:
 - 1 Filter Housing
 - 1 Air filter (PAULTRA2)



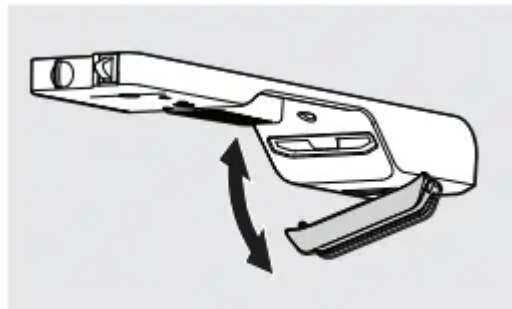
NOTE:

- We recommend you always use genuine Frigidaire replacement filters only.

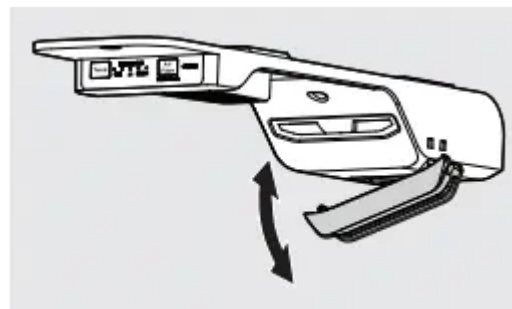
The air filter is located in the top center of the fresh food compartment.

Replacing the PureAir Ultra II™ Air Filter

1. Unpack the new filter and snap it into the filter housing*. The open face (black carbon media) of the filter should be installed facing outward in the cover.
2. Place the air filter housing in the refrigerator by snapping it into the back section of the control housing as shown.



Air Filter Ready Starter Kit



Already Installed Air Filter Housing

*Some features of the filter housing may vary.



IMPORTANT:

- For optimal performance, change the filter every 6 months.

CARE AND CLEANING

Protecting your investment

Keeping your refrigerator clean maintains appearance and prevents odor build-up. Wipe up any spills immediately and clean the freezer and refrigerator compartments at least twice a year. When cleaning, take the following precautions:

- Never use CHLORIDE or cleaners with bleach to clean stainless steel.
- Do not wash any removable parts in a dishwasher.
- Always unplug the electrical power cord from the wall outlet before cleaning.

- Remove adhesive labels by hand. Do not use razor blades or other sharp instruments which can scratch the appliance surface.
- Do not remove the serial plate.

Do not use abrasive cleaners such as window sprays, scouring cleansers, brushes, flammable fluids, cleaning waxes, concentrated detergents, bleaches or cleansers containing petroleum products on plastic parts, interior doors, gaskets or cabinet liners. Do not use paper towels, metallic scouring pads, or other abrasive cleaning materials or strong alkaline solutions.



NOTE:

- If you set your temperature controls to turn off cooling, power to lights and other electrical components will continue until you unplug the power cord from the wall outlet.



CAUTION:

- Pull the refrigerator straight out to move it. Shifting it from side to side may damage flooring. Be careful not to move the refrigerator beyond the plumbing connections.



IMPORTANT:

- If you store or move your refrigerator in freezing temperatures, be sure to completely drain the water supply system. Failure to do so could result in water leaks when the refrigerator is put back into service. Contact a service representative to perform this operation.

Care and Cleaning Tips

Interior & Door Liners

- What To Use:
 - Soap and water
 - Baking soda and water
- Tips and Precautions:
 - Use 2 Tbsp of baking soda in 1 qt of warm water. Be sure to wring excess water out of sponge or cloth before cleaning around controls, light bulb or any electrical part.

Door Gaskets

- What To Use:
 - Soap and water

- Tips and Precautions:
 - Wipe gaskets with a clean soft cloth.

Drawers & Bins

- What To Use:
 - Soap and water
- Tips and Precautions:
 - Use a soft cloth to clean drawer runners and tracks.

Glass Shelves

- What To Use:
 - Soap and water
 - Glass cleaner
 - Mild liquid sprays
- Tips and Precautions:
 - Allow glass to warm to room temperature before immersing in warm water.

Exterior & Handles

- What To Use:
 - Soap and water
 - Non Abrasive Glass Cleaner
- Tips and Precautions:
 - Do not use commercial household cleaners containing ammonia, bleach or alcohol to clean handles. Use a soft cloth to clean smooth handles. DO NOT use a dry cloth to clean smooth doors.

Exterior & Handles (Stainless Steel Models Only)

- What To Use:
 - Soap and water
 - Stainless Steel Cleaners
- Tips and Precautions:
 - Never use CHLORIDE or cleaners with bleach to clean stainless steel.
 - Clean stainless steel front and handles with non-abrasive soapy water and a dishcloth. Rinse with clean water and a soft cloth. Use a non-abrasive stainless steel cleaner. These cleaners can be purchased at most home improvement or

major department stores. Always follow manufacturer's instructions. Do not use household cleaners containing ammonia or bleach.

- **NOTE:** Always clean, wipe and dry with the grain to prevent scratching. Wash the rest of the cabinet with warm water and mild liquid detergent. Rinse well, and wipe dry with a clean soft cloth.

Air Filter

- What To Use:
 - Order Air Filter Housing Kit BRPAULTRA2KIT, which includes a PureAir Ultra IITM air filter at www.frigidaire.com
- Tips and Precautions:
 - Our PureAir Ultra IITM air filter's active carbon technology absorbs and captures undesirable odors more effectively than baking soda.

Replacing Light Bulbs

- What To Use:
 - Unplug appliance
 - Wear gloves
 - Remove light cover
 - Replace old bulb
 - Replace light cover
 - Plug in the appliance
- Tips and Precautions:
 - **CAUTION:** Wear gloves when replacing the AC LED light bulbs to avoid getting cut. Use same wattage when replacing bulb
 - **CAUTION:** Use only a 5-watt or less AC LED light bulb.

TROUBLESHOOTING

Let us help you troubleshoot your concern! This section will help you with common issues. If you need us, visit our website, chat with an agent, or call us. We may be able to help you avoid a service visit. If you do need service, we can get that started for you!

Common Occurences

Refrigerator does not run.

- Ensure the plug is tightly pushed into an electrical outlet.
- Check/replace the fuse with a 15-amp time-delay fuse. Reset the circuit breaker.

- The refrigerator control is turned to OFF.
- Refrigerator may be in defrost cycle. Wait 20 minutes and check again.

Freezer temperature is colder than preferred. Refrigerator temperature is satisfactory.

- Set the auxiliary freezer control to a warmer setting until the freezer temperature is satisfactory. Allow 24 hours for the temperature to stabilize.

Refrigerator temperature is too cold. Freezer temperature is satisfactory.

- Set the refrigerator control to a warmer setting. Allow 24 hours for the temperature to stabilize. Then check the freezer temperature and adjust as needed.

Freezer temperature is warmer than preferred. Refrigerator temperature is satisfactory.

- Set the auxiliary freezer control to a colder setting until the freezer temperature is satisfactory. Allow hours for the temperature to stabilize.

Refrigerator temperature is too warm. Freezer temperature is satisfactory.

- Set the refrigerator control to a colder setting. Allow hours for temperature to stabilize. Then check refrigerator temperature and adjust as needed.

Refrigerator is noisy or vibrates.

- The cabinet is not level.
- Floor is weak.
- See the **NORMAL OPERATING SOUNDS** section.

Odors in the refrigerator.

- The interior needs to be cleaned.
- Foods that produce odors should be covered or wrapped.

Cabinet light is not working.

- Replace with only a 5-watt or less AC LED light bulb.
- Ensure the plug is tightly pushed into an electrical outlet.
- The light switch may be stuck. Push in the light switch, located on the refrigerator side wall, to release.

Automatic ice maker is not working (some models)

- Ensure the ice maker is on (green light).
- The ice maker should produce 2 to 2.5 pounds of ice in a 24 hour period.
- Ensure the water supply is turned on.
- The water pressure may be too low.
- The freezer may not be cold enough.

Warning

This content is compiled from multiple sources and is provided for reference purposes only. It may not be complete or fully applicable to all situations. If you are unable to resolve your issue, please contact the product manufacturer or an authorized service provider for official support.

Document generated by [ManualsFile](#)

