

Before you start

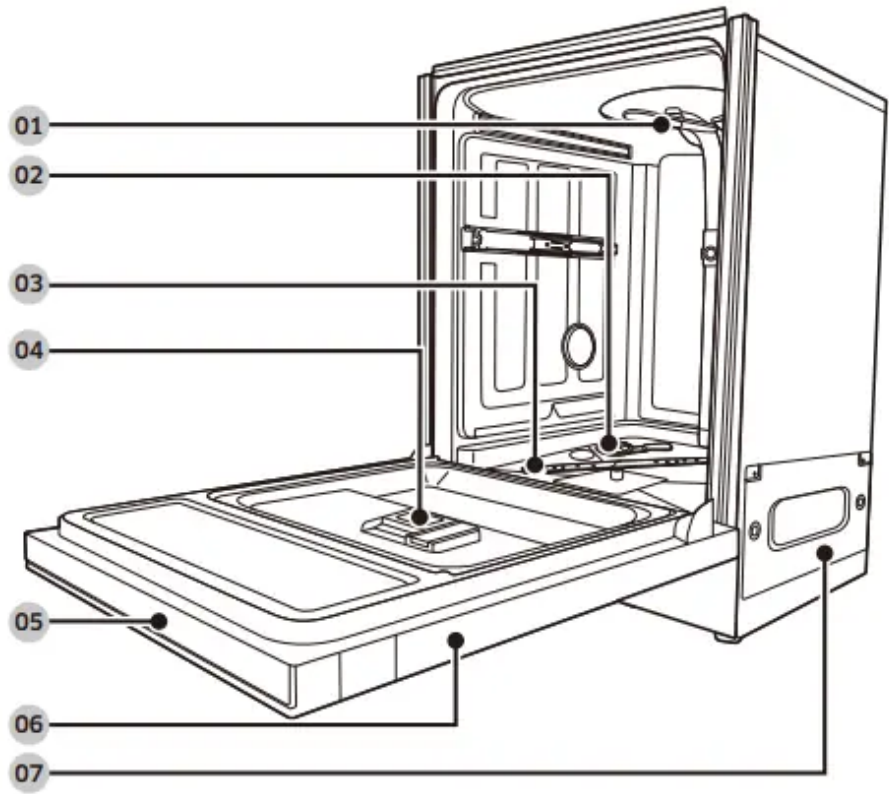
Be sure to have your installer follow these instructions closely so that your new dishwasher works properly and that you're not at risk of injury when washing dishes.

Unpacking your dishwasher

- Once your new dishwasher has been delivered to you, carefully unpack it and check for any damage. If the dishwasher has been damaged, make note of it on the waybill and keep a copy. Do not install the dishwasher, and contact Samsung Customer Service at the number listed on the next page.
- If there is no damage to the product, you can proceed with the installation. If you are going to install it yourself, make sure to read through the installation guide and follow the directions inside.
- After unpacking your dishwasher, keep the packaging out of the reach of children to ensure their safety

Checking parts

- When your dishwasher has been unpacked, make sure you've received all the parts shown below.
- If your dishwasher was damaged during shipping, or if you do not have all the parts, contact Samsung Customer Service at 1-800-SAMSUNG (726-7864).



01 Top nozzle

02 Storm Wash

03 Lower nozzle

04 Dispenser

05 Control panel

06 Door

07 Base

Accessories



Upper rack



Lower rack



Cutlery rack



3rd rack

Unsuitable items for the dishwasher

WARNING Wash only items such as glass, porcelain, and cutlery which the manufacturer states is dishwasher safe. Do not wash aluminium (e.g. grease filters). The dishwasher may damage aluminium, or in extreme cases, cause a severe chemical reaction. Do not wash the following items in the dishwasher.

- Copper, brass, tin, ivory, and aluminium items or items with adhesive
- Non-heat resistant plastics
- Craft items, antiques, valuable vases, and decorative glassware
- Pottery or glazed-ceramic items
- Wooden cutlery and crockery or items with wooden parts
- Delicate glassware or glassware containing lead crystal. Clouding may occur on the glassware after frequent washing.

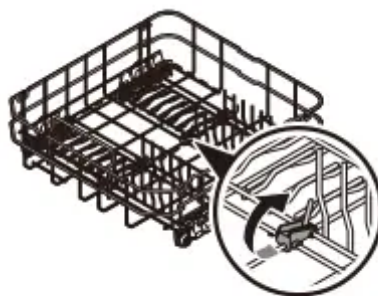
NOTE Silverware that has contacted food containing sulphur may become discoloured. Food with sulphuric content include egg yolks, onions, mayonnaise, mustard, fish, fish brine, and marinades.

Using your dishwasher

Basic use of racks

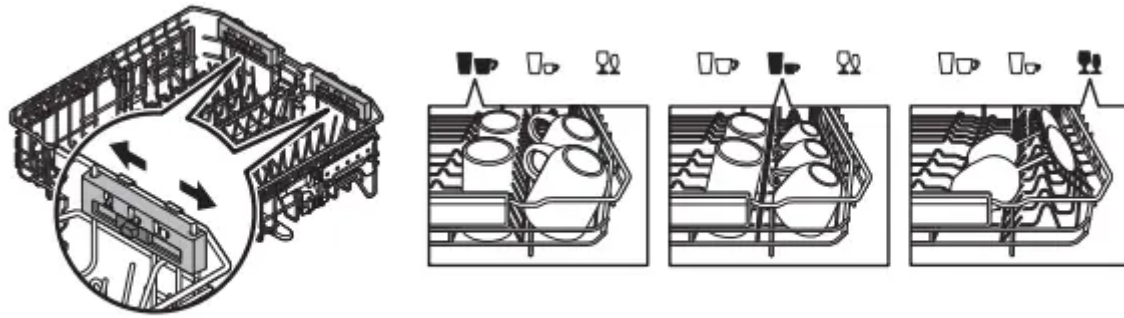
Angle of the plate supports

- In the Lower rack, you can easily fold down the fold-down tines to make room for large items such as pots and pans in the Zone Booster area. Remove the rack from the dishwasher, and then fold down the tines one at a time. See the illustration below.



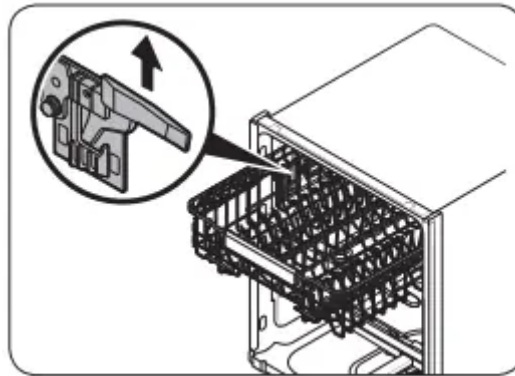
Lower rack

- In the Upper rack, you can adjust the angle of the tines to three different positions to match the size and shape of your dishes. To adjust the tines, grasp the handle at the front of the rack, and then push it left or right. See the illustration below.



Upper rack

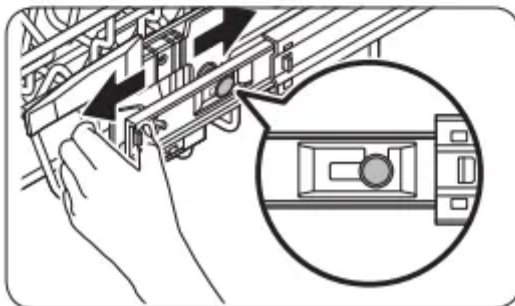
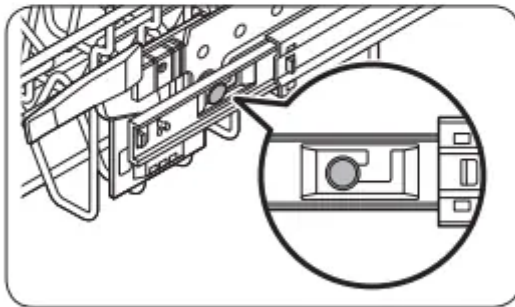
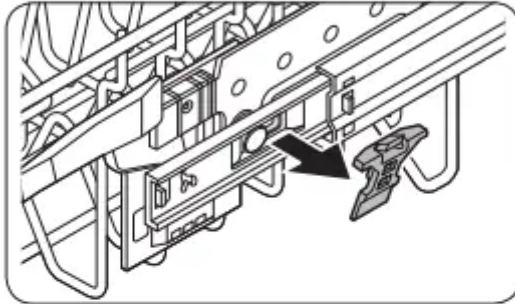
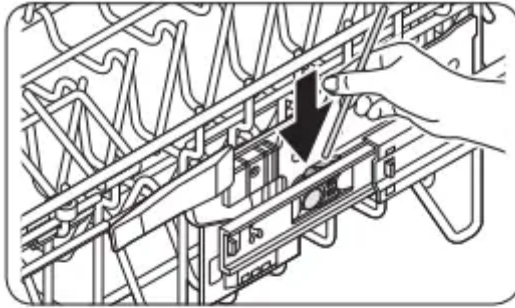
- Height adjustment: You can adjust the height of the upper rack in your Samsung dishwasher so that the lower rack can accommodate larger sized dishes. Depending on where you set the upper rack height, the lower rack can accommodate plates up to 12 in. (30 cm) in diameter and the upper rack can accommodate plates up to 8 in. (20 cm) in diameter.



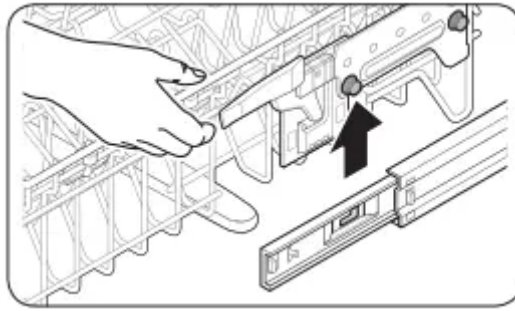
- To raise the upper rack: Pull the upper rack upwards. The adjustable handle will latch, and the upper rack will rise.
- To lower the upper rack: Hold both the adjustable handles located at the left and right sides of the upper rack, and then evenly press down.

To remove the upper rack





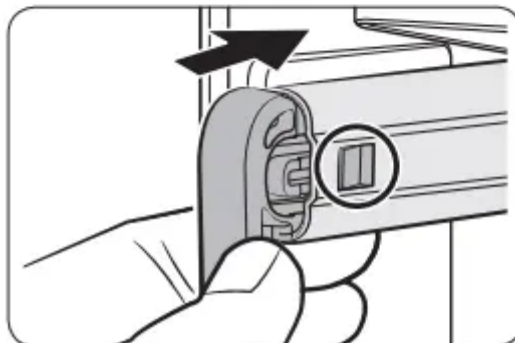
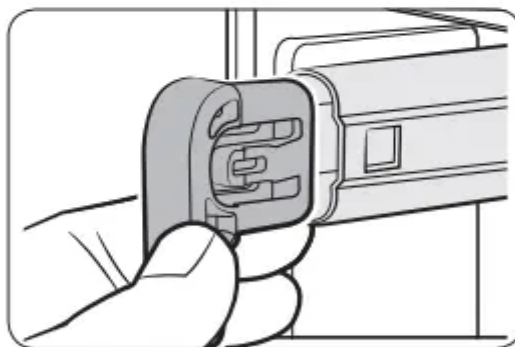
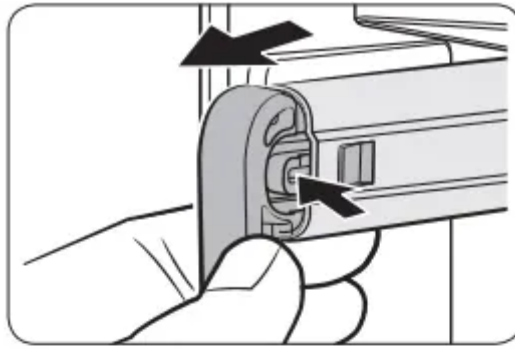
1. Push the hook on the left rail holder and then the right rail holder.
2. Remove the rail holders from the left and right rails.
3. Check the position of the shaft (dark grey in the illustration) on the rail bracket.
4. Slide the upper rack so that the shaft is positioned at end of the rail bracket.



5. Lift the upper rack to remove.

6. Reverse the order of removal to reinsert the upper rack.

To remove the 3rd Rack



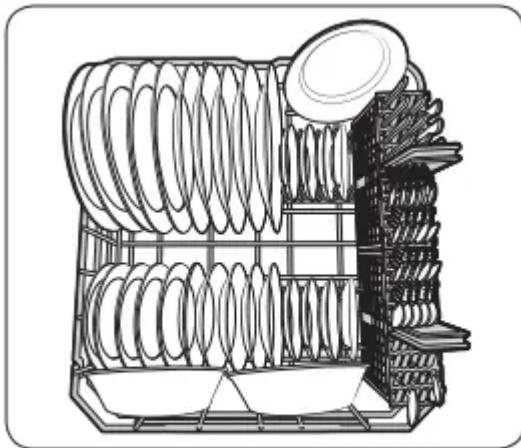
1. Stand facing the dishwasher, and then pull the 3rd rack out so that the handles at the ends of the rack supports (dark grey in the illustration) are even with the end of the rack.
2. With your right thumb, find the small indentation on the inside of the left rack support that houses the tab for the handle lock.
3. Push the handle lock tab in (i.e. to your left) with the tip of your thumb, and then pull the handle towards you until it disengages from the support.
4. Repeat this process with the right handle using your left thumb.
5. When the handles are removed, remove the 3rd rack from the dishwasher.
6. Reverse the order of removal to re-insert the 3rd rack.

CAUTION: Make sure the hook-shaped part of the handle faces downward and the handle lock (circled) re-engages when reinserting the handle into the rail.

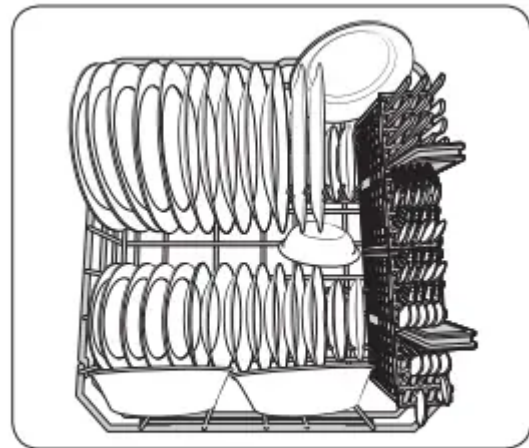
Loading dishes

Loading the lower rack

- The lower rack has been especially designed for dinner dishes, soup bowls, plates, pots, lids, casserole dishes, and plates.
- Load large items such as pans and pots into the dishwasher so their open sides face downwards. We recommend loading cups, stemware, and small plates into the upper rack. See the recommended loading patterns below.

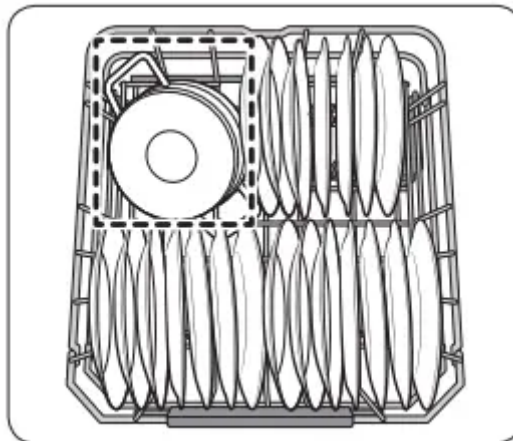


10 place setting



12 place setting

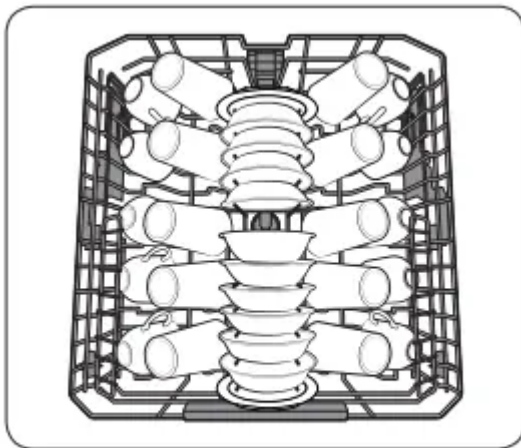
Loading the Storm Wash Area



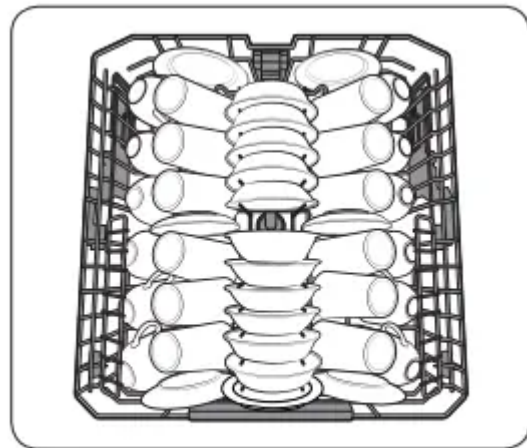
- For more effective cleaning, load large items into the Storm Wash area on the left side of the lower rack (Red zone). When you select Storm Wash, the dishwasher supplies additional power to reinforce the water jet in the Storm Wash area.
- Make sure pot handles and other items do not interfere with the rotation of the nozzles.

Loading the upper rack

- The upper rack has been designed for small plates, mugs, glasses, and plastic items marked “dishwasher safe”. Load your plates into the dishwasher in two half rows, so that the front of each plate faces the back of the plate in front of it, and the open sides of the plates at the center of the dishwasher face each other. See the illustrations below.
- Make sure the loaded dishes do not interfere with the rotation of the nozzle which is located at the bottom of the upper rack. (Check this by rotating the nozzle by hand.) When loading dishes, pull the upper rack out sufficiently so you can load it without striking the counter above.

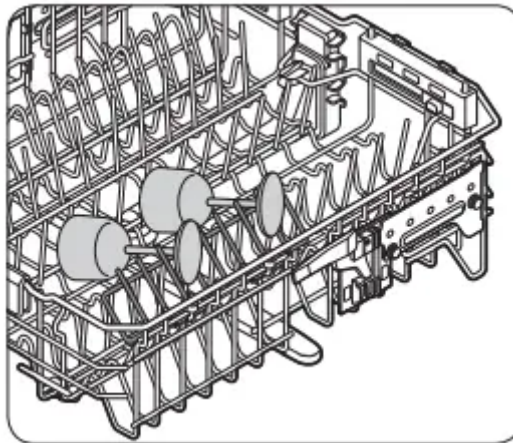


10 place setting



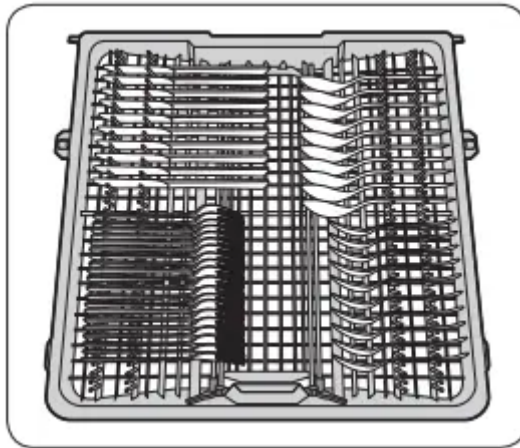
12 place setting

Using the glass support



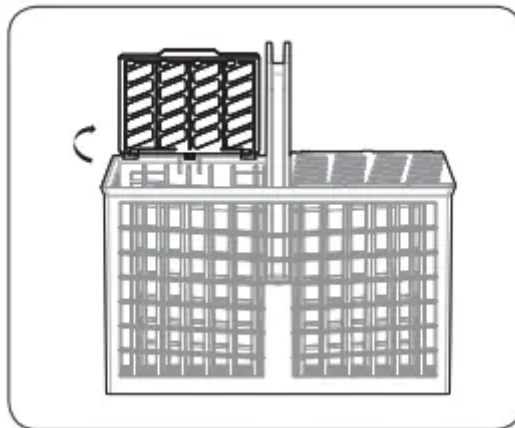
- The glass support is especially suited for wine glasses. Hang wine glasses onto the pegs of the glass support. Fold the glass support back when it is not being used.
- CAUTION: Do not adjust the level of the upper rack with the glass support propped up. This will make it impossible to adjust the upper rack.

Loading the 3rd Rack™

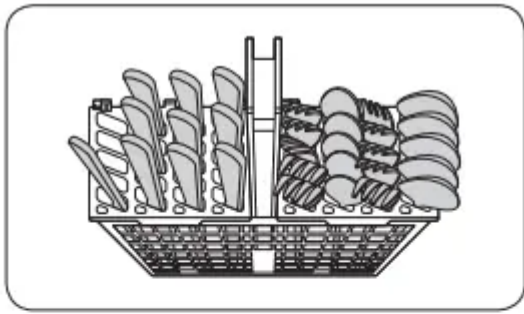


- The cutlery rack is best suited for flatware and cooking or serving utensils. You can place cutlery and utensils randomly or regularly on the cutlery rack.
- Removing the Cutlery Rack: The entire cutlery rack can be removed if more space is needed on the upper rack for larger items. (See the “To remove the 3rd Rack” section)

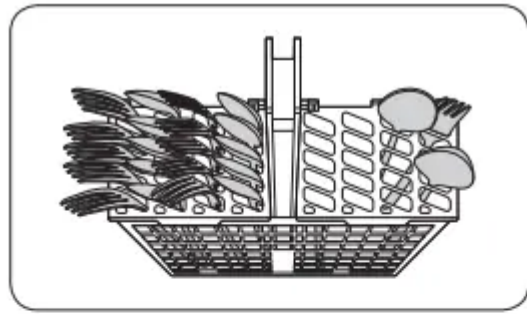
Loading the Cutlery rack



- The cutlery rack consists of two compartments.
- You can place each knife, spoon, or fork separately into the spoon stands in the basket's covers to prevent chipping and discoloration. See the illustrations below.
- You can use the cutlery rack with the cover open. Refer to the illustration on the left.

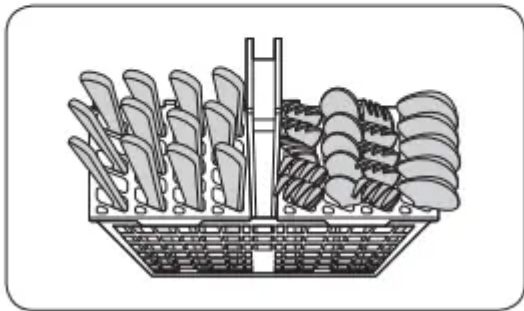


Left

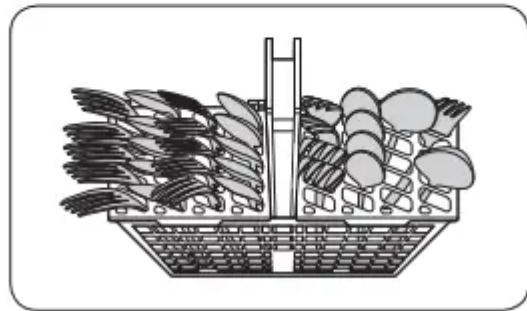


Right

10 place setting



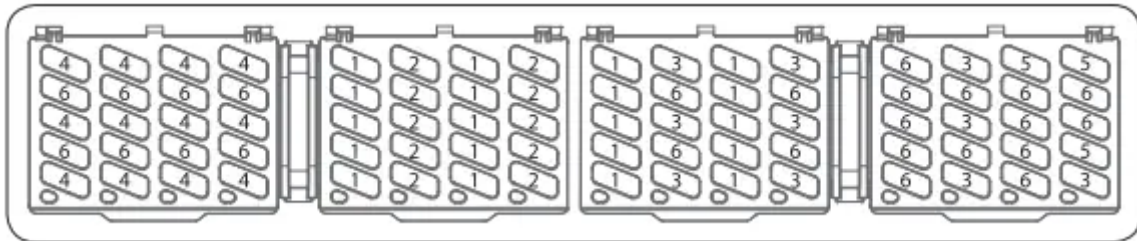
Left



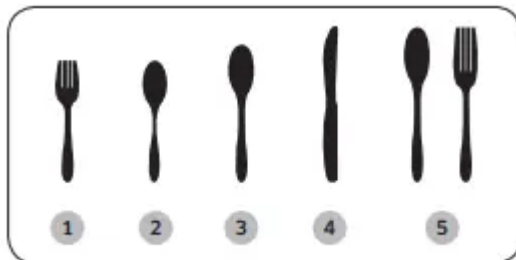
Right

12 place setting

The spoon stands as seen from above with the suggested placement of cutlery items. Match the numbers in the diagram to the numbers in the list of cutlery items below.



NOTE: DO NOT let any item extend through the bottom.



1. Forks
2. Tea spoons
3. Dinner spoons
4. Knives
5. Serving spoons and Serving forks
6. Remaining items



Detergent guidelines

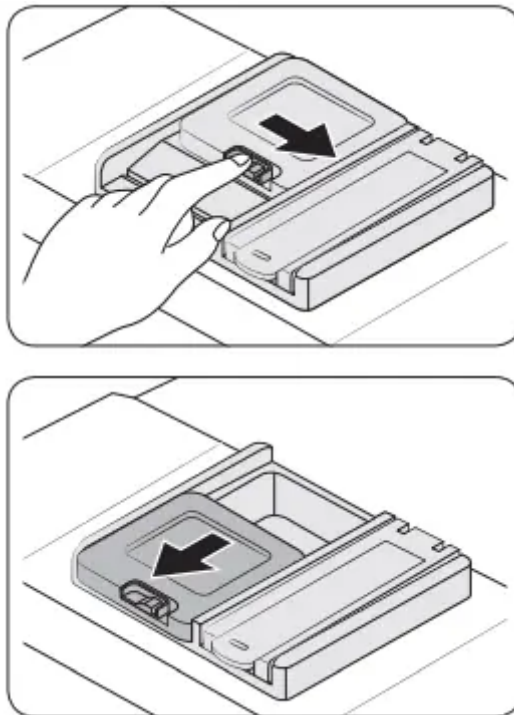
All dishwasher cycles require detergent in the detergent compartment. Apply detergent as appropriate for the selected cycle to ensure best performance.

WARNING

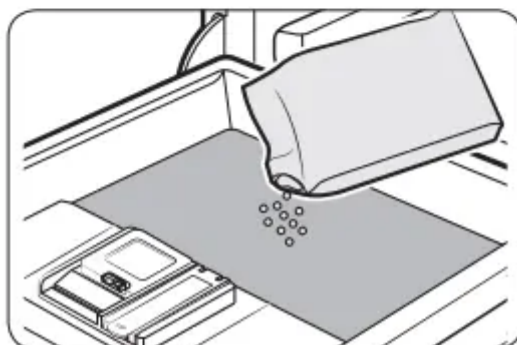
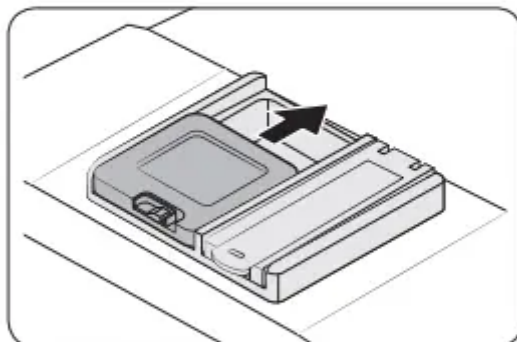
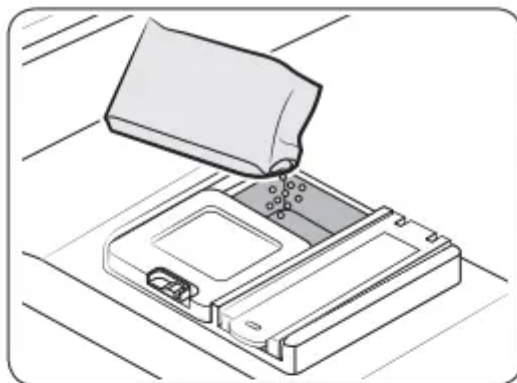
- Do not consume dishwasher detergent. Avoid breathing in detergent fumes. Dishwasher detergent contains irritants and caustic chemicals that can induce respiratory conditions. If you have consumed dishwasher detergent or inhaled detergent fumes, seek medical attention immediately.
- Keep dishwasher detergent out of children's reach.

CAUTION: Use dishwasher detergent only. Other types of detergent produce excessive foam, which may decrease the dishwasher's performance or cause it to malfunction.

To fill the detergent dispenser



1. Gently press the dispenser flap to unlock, and then slide it open. Note that the dispenser flap opens at the end of each cycle.

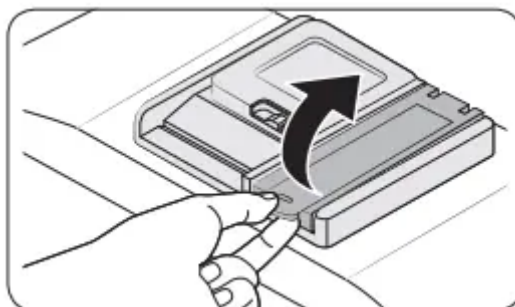


2. Apply the recommended amount of detergent to the main compartment.
3. Close the flap, and then press down to lock. NOTE This dishwasher has no separate compartment for tablet detergent.
4. For better performance, pour a small amount of detergent onto the door to clean heavily soiled items more effectively. The additional detergent will activate during the pre-wash process.

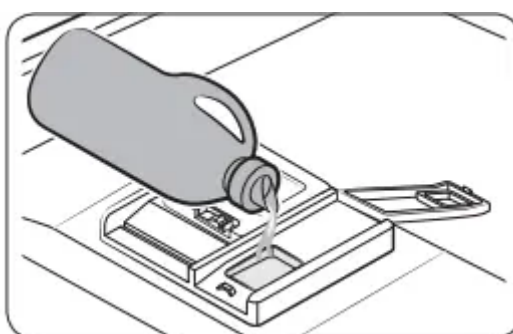
The cover opens automatically to dispense the detergent during the wash.

CYCLE	AMOUNT OF DETERGENT	
	Main wash dispenser	Onto the door for pre-wash
Auto, Normal	3/4 oz (20 g)	1/3 oz (10 g)
Heavy, Express 60	1 oz (30 g)	1/2 oz (15 g)
Delicate	3/4 oz (20 g)	1/5 oz (5 g)

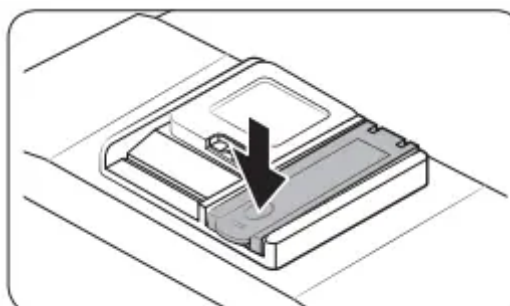
Rinse aid: Rinse aid improves the drying performance of the dishwasher. When the Rinse Refill indicator lights up on the control panel, refill with rinse aid. Only use liquid rinse aid. Powdered rinse aid will clog the compartment opening and cause the dishwasher to malfunction.



1. Pull up the cap of the rinse compartment to open.



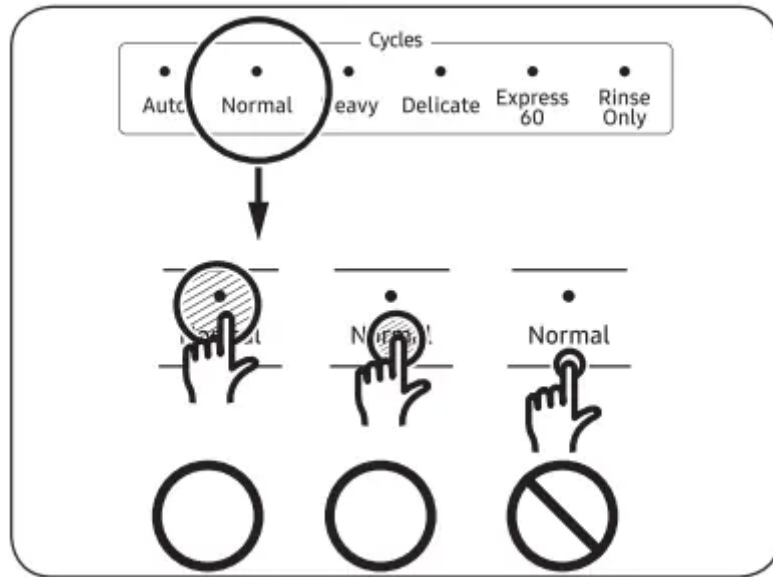
2. Fill the compartment with rinse aid as specified by the rinse aid manufacturer.



3. Press down the circle area of the cap to close.

Touchpad responsiveness

To prevent the touch-enabled controls from losing responsiveness, follow these instructions.



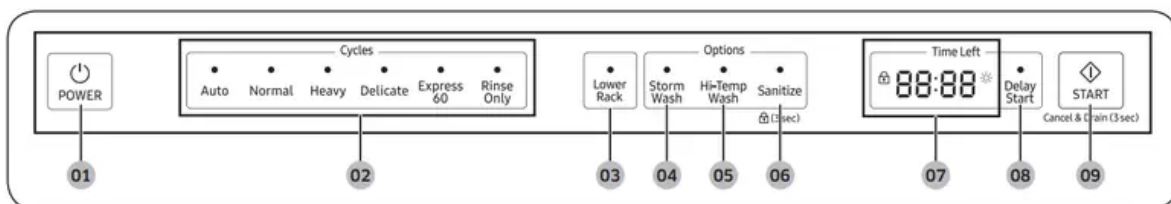
- Touch the center of each button with one finger.
- Do not touch more than one button at a time, except as directed.
- Clean the surface of the control panel regularly with a soft, damp cloth.


Operations

WARNING: To reduce the risk of fire, electric shock, or injury to persons, read the **IMPORTANT SAFETY INSTRUCTIONS** before operating this appliance.

Control panel

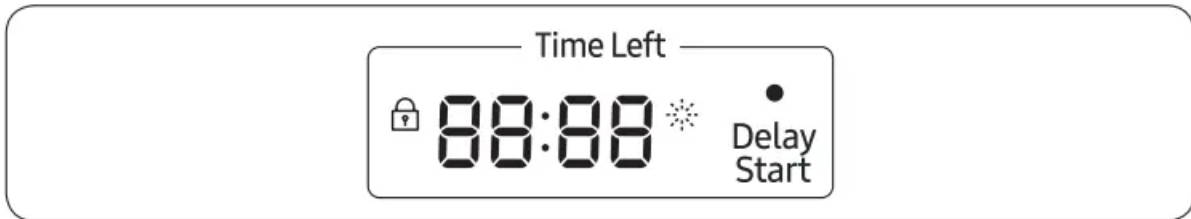
DW80R706* Series





01 POWER	When you press the POWER button, the Cycle On light for the most recently started cycle turns on. When the selected cycle is complete, the dishwasher powers off automatically
02 Cycle Selector	<p>Select the appropriate wash cycle depending on the soil level of your dishes. After you select a cycle, the Cycle On light for that cycle lights.</p> <p>If you want to change the cycle once it has started, press the POWER button. Then, turn on the dishwasher again and select a new cycle</p>
03 Lower Rack	If selected, only the lower rack nozzle is activated to reduce both the cycle time and power consumption. Use this cycle to wash a small load of dishes or glasses in the lower rack. To wash heavily soiled items, select the Storm Wash option.
04 Storm Wash	Use this option when you want to wash pots and pans, durable serving bowls, and other large, very dirty, hard to clean dishes. To use Storm Wash, place the dishes face down in the marked Storm Wash area in the lower basket
05 Hi-Temp Wash	Raises the main wash temperature to improve cleaning for loads containing tough, baked-on food.
06 Sanitize /  (3sec) (Control Lock)	<p>With the Sanitize option selected, the water temperature is increased to 163 °F (73 °C) in the final rinse cycle for high temperature sanitization.</p> <p>If you select the Sanitize option, the "Sanitize" lamp blinks when the water temperature reaches the sanitary temperature (over 155 °F (68 °C)), and then remains illuminated until the Sanitize option ends.</p> <p>When you open the door or press the POWER button, the "Sanitize" lamp turns off.</p> <p>NOTE The Normal cycle with the Sanitize option selected is NSF Certified and operates in accordance with NSF/ANSI Standard 184 for Residential Dishwashers. Certified residential dishwashers are not intended for licensed food establishments. Your dishwasher is NSF Certified.</p> <p>Control Lock allows you to lock the buttons on the control panel so children cannot accidentally start the dishwasher by pressing the buttons on the panel.</p> <p>To lock and unlock the buttons on the control panel, hold the Sanitize button down for three (3) seconds when the power is On.</p>
07 Display	Displays information about the current cycle including the cycle time, remaining time, Delay Start settings, and other cycle-specific information. If a problem occurs during operation, an information code appears with a warning sound. Refer to the information codes

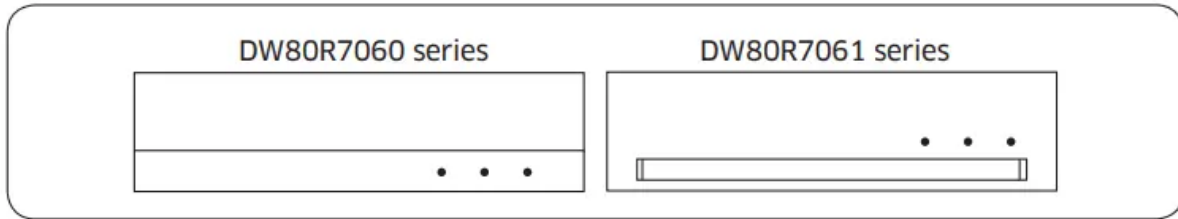
08 Delay Start	<p>Delay a cycle for up to 24 hours in one-hour increments. To increase the delay start time, press or hold the Delay Start button. The hour displayed indicates the time at which the wash will start.</p> <ul style="list-style-type: none"> • After setting the delay time, press the START button, and then close the door to start the cycle. • To change the delay time after the dishwasher has started, first turn the dishwasher off and turn it back on. Then, select a new cycle and change the delay time settings
09 START	<p>To start a cycle, press the START button before closing the door.</p> <p>Cancel & Drain: To cancel a currently running cycle and drain the dishwasher, press and hold the START button for three (3) seconds.</p> <p>Once the dishwasher is reset, select a cycle and option, and then press START to restart the dishwasher</p>





Indicators



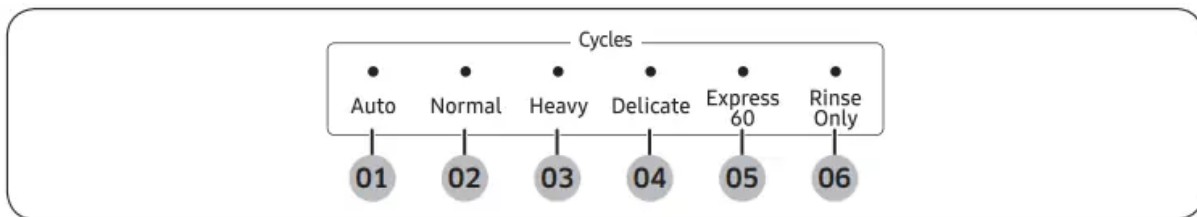
Control Lock indicator		Lights up if Control Lock is activated, and blinks if any button except for the POWER button is pressed.
Rinse Refill indicator		Lights up if the dishwasher runs out of rinse aid.

Progress displays



Wash		When the dishwasher is in a wash portion of a cycle, the first light is illuminated.
Rinse		When the dishwasher is in a rinse portion of a cycle, the second light is illuminated.
Dry		When the dishwasher is in a drying portion of a cycle, the third light is illuminated.
End		After the dishwasher has completed all portions of a cycle, all lights are turned off.

Cycle overview



01 Auto	This cycle detects the level of soil and automatically initiates the optimal cycle after a few minutes of operation.
02 Normal	Use this cycle for normally soiled dishes. The energy-usage label is based on this cycle.
03 Heavy	Use this cycle for heavily soiled dishes.
04 Delicate	Use this cycle for soiled, fragile items such as fine glassware and crystal glass (wine glass). Do not use this cycle for other glassware because clouding or etching may occur.
05 Express 60	Use this cycle when you need to wash dishes quickly. It takes about 1 hour.
06 Rinse Only	Use for rinsing dishes, glasses, and silverware that will not be washed right away. Do not use detergent

Simple steps to start your dishwasher

1. Open the door, and then load the dishwasher. Make sure dishes are empty.
2. If applicable, put the dishes in the lower rack. If adding the Storm Wash option, put the dishes in the left side of the lower rack.
3. Add detergent to the detergent dispenser. For better results, add rinse aid to the rinse aid compartment. NOTE You should use rinse aid for better drying performance. You can further improve drying performance by also selecting the Sanitize option.
4. Press POWER, and then select a cycle with necessary options (Lower Rack, Storm Wash, Hi-Temp Wash, Sanitize). If you change the cycle after selecting an option, the original cycle is reset.
5. Press START, and then close the door within 3 seconds. The dishwasher starts the cycle after draining for a few seconds.

NOTE

- To change the cycle after it has started, press and hold START for 3 seconds to cancel the cycle. Then, select a new cycle.
- To resume after you have opened the door to stop the dishwasher while operating, simply press START first, and then close the door

Settings

- You can change the sound, Auto Release™ Dry alert, Rinse aid amount, and Auto Release™ Dry settings to your preference. To change the settings, press the Sanitize and Delay Start buttons simultaneously for 3 seconds. Press Sanitize to navigate through the sub menus, and then press Delay Start to confirm your changes.

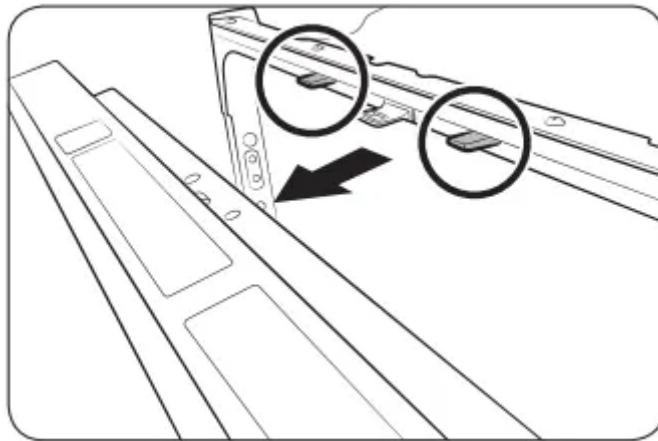


- Sound
 - Press Sanitize until 'U1' or 'U0' is displayed. To mute the dishwasher, select 'U0', and then press Delay Start. To unmute, select 'U1', and then press Delay Start.
- Auto Release™ Dry alert
 - You can enable or disable the setting that alerts you when the door opens to start the Auto Release™ Dry function.
 - Press Sanitize until 'J1' or 'J0' is displayed. To disable the Auto Release™ alert, select 'J0', and then press Delay Start. To enable, select 'J1', and then press Delay Start.

- Rinse aid amount
 - Press Sanitize until 'F1~F6' is displayed. The higher the number, the more rinse aid the dishwasher uses. To improve drying performance, select a higher number.
 - If your dishes appear discolored after a wash, switch to a lower number.
 - The factory default level is 'F4'.

Auto Release™ Dry

- The Auto Release™ Dry function, which is designed to improve drying performance, automatically opens the dishwasher's door 5 to 15 minutes before a cycle ends.
- You can enable or disable Auto Release™ Dry in two ways: Using the Setting Mode or using the toggle keys. Both methods are described starting below.



- Press Sanitize until "A1" or "A0" is displayed. Then, press Delay Start to enable (A1) or disable (A0) Auto Release™ Dry.
- Using the Toggle Keys : Press the Lower + Hi-Temp Wash button for 3 seconds to enable (A1) or disable (A0) Auto Release™ Dry

NOTE

- Once the door opens on the Auto Release™ Dry mode, the door cannot be closed manually for the next 2 minutes.
- Disabling (A0) "Auto Release™ Dry" can affect the drying results. Enable (A1) "Auto Release™ Dry" for better drying result.
- After a cycle is complete, the door automatically opens to let steam out. This is normal and not a product malfunction.

Special features

Delay Start You can delay the cycle starting time up to 24 hours in 1-hour increments. To increase the delay time, press Delay Start. The hour displayed indicates the time at which the cycle will start.

1. Open the door, and then load the dishwasher.
2. Press Delay Start, and then press or hold Delay Start to change the time in 1-hour increments.
3. Close the door, and then press START.

NOTE To change the delay time once the dishwasher has started, press POWER and then restart the dishwasher.

Touch Controls Touch controls allow you to operate the dishwasher easily.

- They are convenient to operate, requiring only a soft touch.
- Have a simple and stylish design.
- Are easy to clean.

NOTE If you have children or you want to clean the Control Interface, we recommend activating the Control Lock feature to lock the control buttons.

Control Lock To prevent children from playing with the dishwasher, Control Lock locks all button controls except for POWER.

- To activate Control Lock, press and hold Sanitize for 3 seconds. With Control Lock activated, you cannot select a cycle or option, or start an operation.
- To deactivate Control Lock, press and hold Sanitize again for 3 seconds.
- Control Lock remains active after the dishwasher restarts. To cancel Control Lock, you must deactivate it first.

Maintenance

Cleaning

Keep the dishwasher clean to improve performance, reduce unnecessary repairs, and lengthen its lifecycle.

Exterior

Clean spills on the surface of the dishwasher as they occur. Use a soft, damp cloth on the control panel to gently wipe away spills and dust.

CAUTION

- Do not use benzene, wax, thinner, chlorine bleach, alcohol, or other chemical substances. These materials may discolour the surface of the dishwasher and cause stains.
- The dishwasher has electric parts inside. Do not sprinkle water directly onto the dishwasher. Protect electrical components from coming in contact with water.
- For a stainless-steel door panel, clean using a stainless steel cleaner for home appliances and a clean, soft cloth.

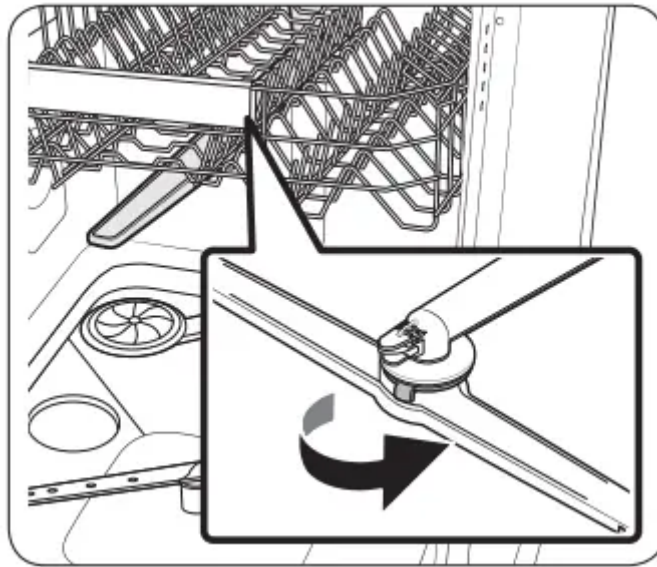
Interior

- Clean the interior of the dishwasher on a regular basis to remove any dirt or food particles. Wipe inside the dishwasher and inside the door with a wet dishcloth. To maintain optimum cleanliness, we recommend running the Self Clean cycle periodically with the dishwasher empty.
- To keep the cutlery pad clean, turn it over after each use. To remove white spots and odors from the cutlery pad, run the Self Clean cycle with the dishwasher empty and no detergent until the cutlery pad flushes. Then, stop the cycle and put an 8-ounce cup of white vinegar into the lower basket. Close the door, and then resume the cycle.
- Use a damp cloth to remove lime scale or grease deposits inside the dishwasher. Alternatively, apply some detergent, and then run an empty cycle using the highest rinse temperature.

CAUTION: Do not remove the front seal (the long rubber seal enclosing the opening of the dishwasher). The seal keeps the inner side of the dishwasher sealed.

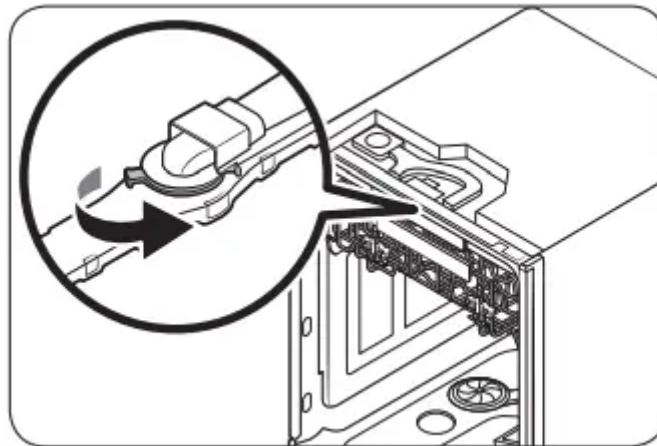
Nozzles: To prevent the nozzles from being clogged, or if the nozzles are clogged, remove and clean each nozzle. Use caution when removing the nozzles as they may break.

Upper nozzle



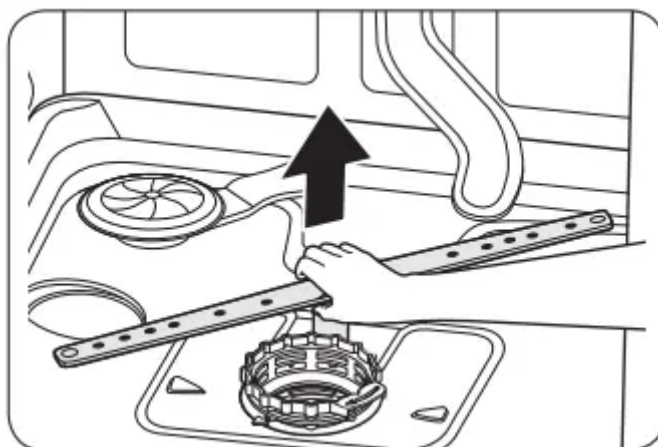
1. Open the door, and then pull out the upper rack to reveal the upper nozzle.
2. Turn counter clockwise to remove the nozzle cap, and then remove the nozzle.
3. Unclog and clean the nozzle.
4. Reinsert the nozzle, and then tighten the cap clockwise.
5. Rotate the nozzle by hand to make sure the nozzle is engaged correctly

Top nozzle



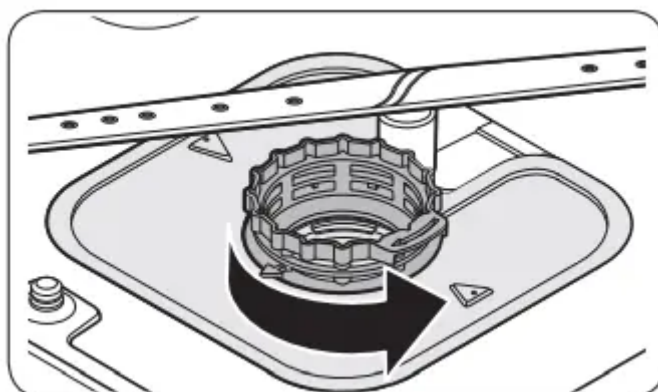
1. Check whether the nozzle holes are clogged by food particles.
2. If cleaning is needed, remove the top nozzle.
3. To remove the top nozzle, pull out the upper rack first, unfasten the nozzle cap by turning it counterclockwise, and then remove the nozzle.
4. Clean the nozzle, re-insert it, and then fasten the nozzle cap to the nozzle by turning the cap clockwise.
5. Check whether the nozzle is engaged correctly by rotating it by hand.

Lower nozzle

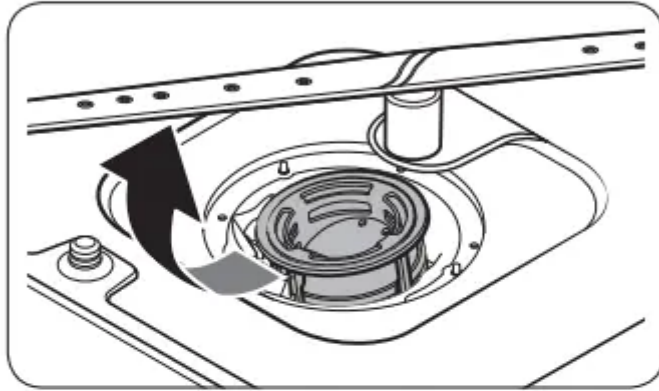
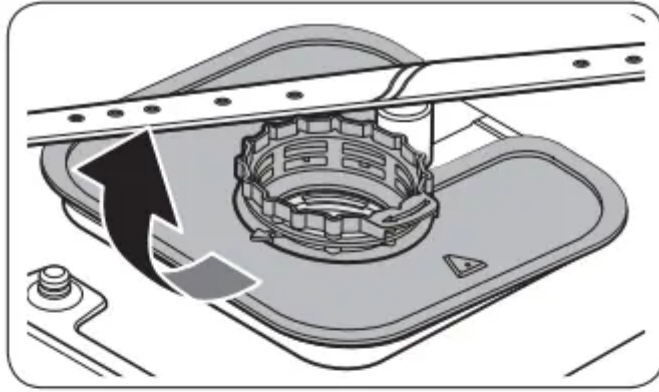


1. Open the door, and then pull out the lower rack to reveal the lower nozzle.
2. Pull up the nozzle to remove it.
3. Clean the nozzle.
4. Re-insert the nozzle, and then push the nozzle down until you hear a click.
5. Rotate the nozzle by hand to make sure the nozzle is engaged correctly

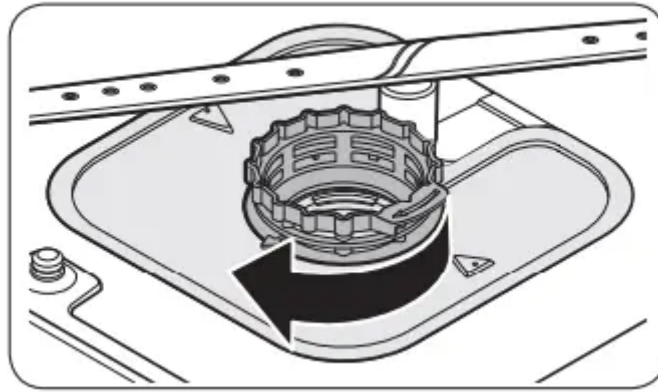
Filter We recommend cleaning the filter every month



1. Open the door, and then remove the lower rack.
2. Turn the filter handle counterclockwise to unlock the filter cover.



3. Remove the filter cover, and then the cylindrical micro filter underneath.
4. Remove any dirt and impurities from the micro filter and the filter cover.
5. Rinse them with running water, and then dry well.



6. Reinsert the filter, and then the filter cover.

7. Turn the filter handle clockwise to lock.

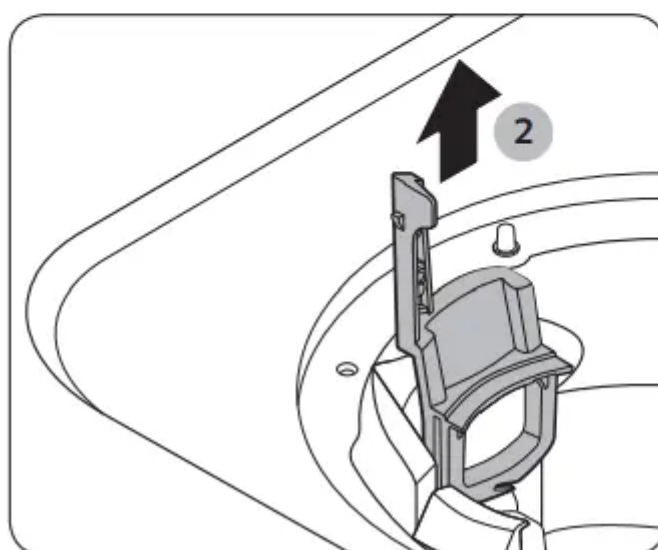
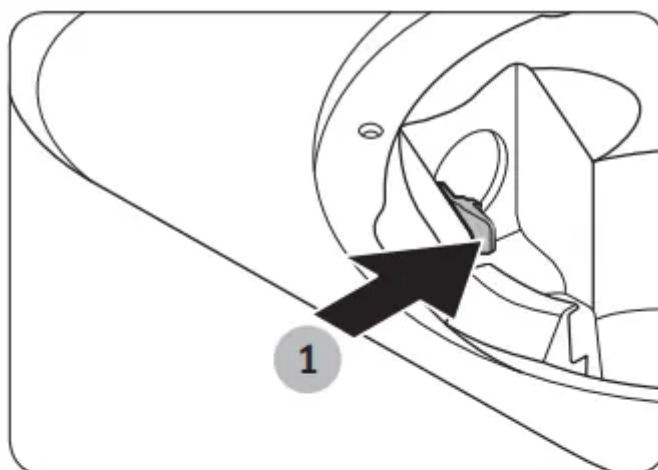
CAUTION: Make sure the filter cover is closed properly. A loose cover can reduce the filtering performance.

Long-term care

- If you will not use the dishwasher for an extended period of time, first drain the unit completely, and then disconnect the water hose. Shut off the water supply valve and the circuit breaker. Water remaining in the hoses or the internal components can damage the dishwasher.

Cleaning the drain pump

- If the dishwasher fails to drain because the drain pump is clogged with foreign matter or there is an abnormal noise coming from the drain pump, you must unclog and clean the drain pump as instructed below.



1. Remove the lower rack.
2. See the "Filter" section to remove the cylindrical micro filter.
3. Remove any moisture from the filter using a sponge.
4. Remove the drain-pump cover by pushing its handle in the direction of the arrow (1), and then pulling up (2).
5. Check the impeller to see if it's in good condition. Then, remove any foreign matter from the pump.
6. Reinsert the drain-pump cover and then press down until you hear a click.

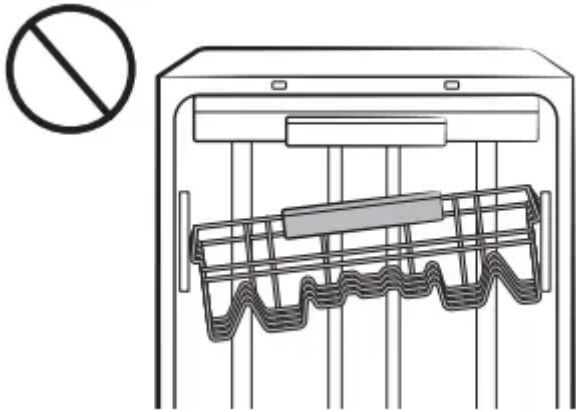
Storing your dishwasher

- If you need to store your dishwasher for an extended period of time, first drain and disconnect it. If you leave water in the hoses and internal components, you can damage the dishwasher.
- After draining and disconnecting the dishwasher, be sure to turn off the water supply valve and circuit breaker.

Troubleshooting

Check these solutions if your dishwasher...

1. Will not start

Possible cause	Solution
The door is not closed completely	<ul style="list-style-type: none"> • Check if the door is latched and closed completely. Check whether the Upper Rack is properly joined to the Duct Nozzle. • Also, check if the Upper Rack is crooked or unbalanced 
The START button was not pressed.	See the information code that appears on the display.
Doesn't operate at all.	Make sure the power cable is connected properly
The water supply does not work.	<ul style="list-style-type: none"> • Check if the water supply valve is open. • Check if the supplied water pressure is between 20 and 120 psi (between 140 and 830 kPa)
The Control Panel is locked.	Unlock the Control Lock
A circuit breaker is open.	Reset the circuit breaker

2. An operation or cycle is taking too long.

Possible cause	Solution
The dishwasher is connected to a cold water supply	Check if the water supply line is connected to a cold water supply. To work properly, the dishwasher must be connected to a hot water supply. (If connected to a cold water supply, additional time is required to heat the cold water.)

3. There are food particles remaining on dishes. (Not cleaning properly.)



Possible cause	Solution
The cycle selected was unsuitable.	Select a cycle according to the number and soil level of the dishes, as directed in this manual.
The water temperature is low.	Connect the water supply line to a hot water supply. For best performance, the temperature of the supplied water should be 120 °F (49 °C)
Low water pressure.	The water pressure should be between 20 and 120 psi (140- 830 kPa).
Dishwasher detergent was not used.	<ul style="list-style-type: none"> • Use automatic dishwasher detergent. • We recommend a powder type or multi-function tablet dishwasher detergent.
Detergent remains in the dispenser.	<ul style="list-style-type: none"> • Make sure large items such as cookie sheets, cutting boards, or containers, etc. are not blocking the detergent dispenser and preventing it from opening properly. <ul style="list-style-type: none"> ◦ Rearrange the dishes so they do not interfere with detergent dispenser operation.
There is no rinse aid.	<p>Check the dispenser and add rinse aid.</p> <p>Use liquid type rinse aid</p>
A nozzle is clogged	<ul style="list-style-type: none"> • Clean the nozzle.
The dishes are improperly loaded. Too many dishes have been loaded	<ul style="list-style-type: none"> • Rearrange the dishes so they do not interfere with nozzle rotation and detergent dispenser operation. • Load only an appropriate number of dishes. • Load your dishes as recommended. • Load the heavily soiled items into the Storm Wash area
The filters are clogged or not correctly fastened. (Food soils remain on the filter.)	<ul style="list-style-type: none"> • Scrape food from dishes prior to loading. (Do not pre-rinse.) • Clean the filter. • Make sure the filters are correctly fastened.

Less water than required is supplied.	Check if the supplied water pressure is between 20 and 120 psi (between 140 and 830 kPa).
---------------------------------------	---

4. Leaves glasses with a light film.

Possible cause	Solution
The water supplied is soft and too much detergent was used.	Underload the dishwasher and use a rinse aid to minimize this.
Aluminum dishes were included in the wash load.	<ul style="list-style-type: none"> Remove the marks on the dishes using a low sensitivity cleaner.

5. Leaves a yellow or brown film on the inside of the dishwasher

Possible cause	Solution
This is caused by coffee and tea soils.	<p>Remove the soils using a spot cleaner.</p> <p>Use a cycle with a higher temperature.</p>

6. Does not dry dishes well.



Possible cause	Solution
There is no rinse aid in the dispenser or not enough rinse aid was used.	<p>Check the dispenser and add rinse aid.</p> <p>Use a liquid type rinse aid.</p> <p>Check the rinse aid settings</p>
The temperature of the water is low when the dishwasher is running.	<p>Connect the water supply line to a hot water supply.</p> <p>Use rinse aid with the Sanitize option</p>
Too many dishes have been loaded.	<p>Proper loading of items can affect drying.</p> <p>Load your dishes as recommended.</p>
Glasses and cups with concave bottoms hold water. This water may spill onto other items when you unload.	<p>After finishing the cycle, empty the lower rack first and then the upper rack. This will prevent water dripping from the upper rack onto the dishes in the lower rack</p>
Auto Release™ Dry is turned off	<p>Turn Auto Release™ Dry on. Press the Lower + Hi-Temp Wash button for 3 seconds to access the Auto Release™ Dry menu. Select "A1" to activate Auto Release™ Dry</p>
Multiple detergent tablets were used without selecting the Sanitize option.	<p>Select the Sanitize option or use rinse aid.</p>

7. Has a bad odor.

Possible cause	Solution
Water was left over from an incomplete cycle.	<p>Clean the dishwasher by running the Heavy cycle with the dishwasher empty and no detergent.</p>
The Drain Hose is obstructed.	<p>Contact a qualified service technician to remove any obstruction from the drain hose.</p>
The dishwasher is not used daily or soiled dishes are left in unit too long	<p>With the dishwasher empty and no detergent, place a glass with 8 ounces of vinegar upright into the lower rack, and then run a Heavy cycle</p>

8. Is too noisy.



Possible cause	Solution
Sound is generated when the dispenser cover is open and the drain pump is operating in an early stage	This is normal operation.
The dishwasher is not level	Ensure the dishwasher is level.
Foreign material (a screw, a plastic piece) is in the pump chamber	Contact a qualified service technician to remove foreign material from the pump chamber.
There is a 'chopping' sound because a nozzle is bumping against the dishes.	Rearrange the dishes.
Less water than required is supplied.	Check if the supplied water pressure is between 20 and 120 psi (between 140 and 830 kPa).

9. Does not have a smoothly rotating nozzle.

Possible cause	Solution
Nozzle holes are clogged with food particles	Clean the nozzle holes.
The nozzle is blocked by a dish or pot and cannot rotate.	After placing the dishes into the racks, rotate the nozzles by hand to check whether any of the dishes interfere with them

10.

Problem	Possible cause	Solution
Water won't pump out of the dishwasher.	The drain is clogged.	Clean the drain pump by removing the drain-pump cover
Has a bent upper rack after dishes are loaded.	The dishes are not loaded properly	Load your dishes as recommended
Cannot close the door.	Auto Release™ Dry mode is in operation.	Once the door opens in the Auto Release™ Dry mode, the door cannot be closed manually for the next 2 minutes. You may close the door after 2 minutes.

Information codes

The Control Panel displays information codes to help you understand what is occurring with your dishwasher.



Code	Action
LC	<p style="text-align: center;">Leakage check.</p> <ul style="list-style-type: none"> • If a water supply valve connection leak occurs, close the water supply valve and go to your house circuit breaker panel, set the dishwasher's circuit breaker switch to off, and then contact the installer to fix. If the problem continues, contact an authorized Samsung service center
4C	<p style="text-align: center;">Water supply check.</p> <ul style="list-style-type: none"> • Check if the water supply valve is closed or clogged, or is frozen. Also check if the supplied water pressure is less than required. If the problem continues, close the water supply valve, and then contact an authorized Samsung service center
5C	<p style="text-align: center;">Drain check.</p> <ul style="list-style-type: none"> • After closing the water supply valve, check whether the drain hose is clogged or folded. Also, check whether the drain hole inside the sump is clogged. If the problem continues, contact an authorized Samsung service center
HC	<p style="text-align: center;">High temperature heating check.</p> <ul style="list-style-type: none"> • Functional check. With the dishwasher empty, add detergent, and then run a cycle. If the problem continues, go to your house circuit breaker panel, set the dishwasher's circuit breaker switch to off, and then contact an authorized Samsung service center.
3C	<p style="text-align: center;">Pump operation check.</p> <ul style="list-style-type: none"> • Functional check. Turn off the dishwasher and try to start it again. If the problem continues, contact an authorized Samsung service center.
PC	<p style="text-align: center;">Zone wash function check.</p> <ul style="list-style-type: none"> • Functional check. Turn off the dishwasher and try to start it again. If the problem continues, contact an authorized Samsung service center.

Warning



This content is compiled from multiple sources and is provided for reference purposes only. It may not be complete or fully applicable to all situations. If you are unable to resolve your issue, please contact the product manufacturer or an authorized service provider for official support.

Document generated by [ManualsFile](#)

