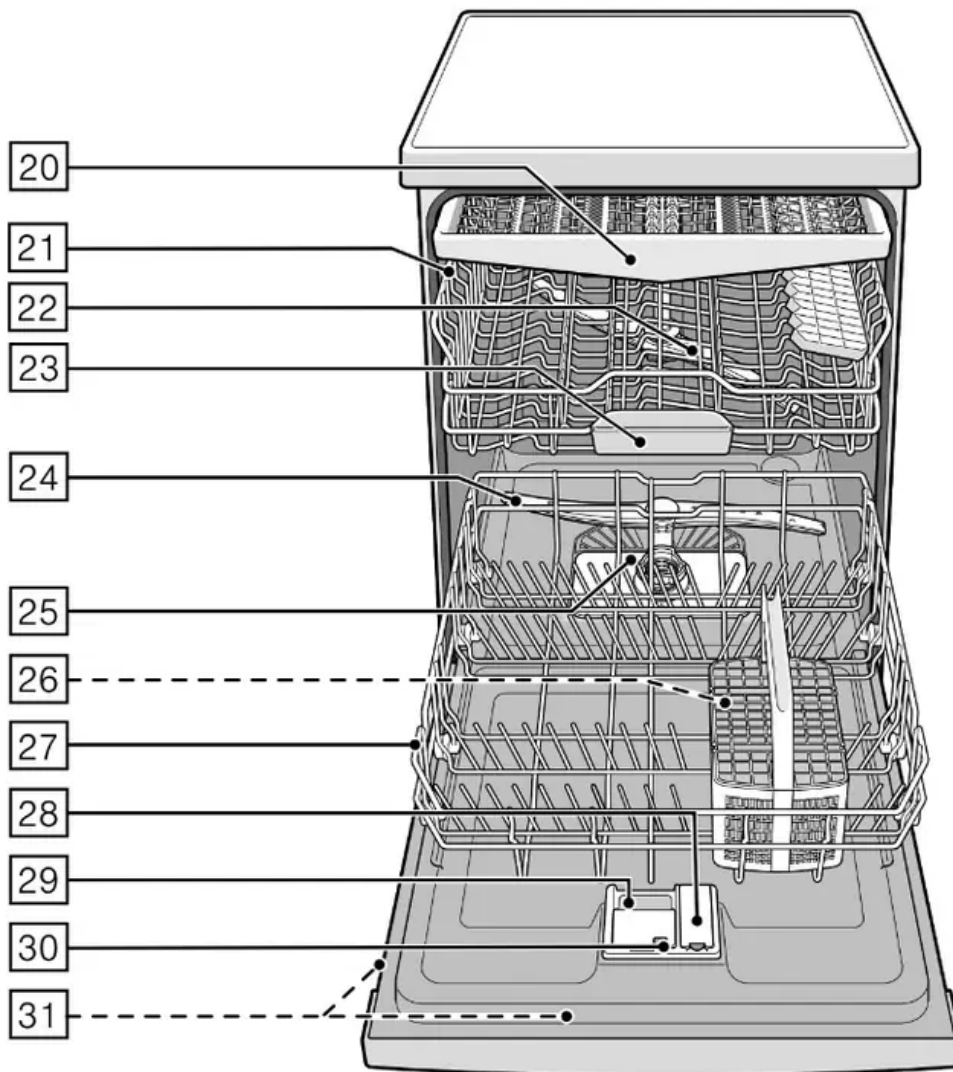
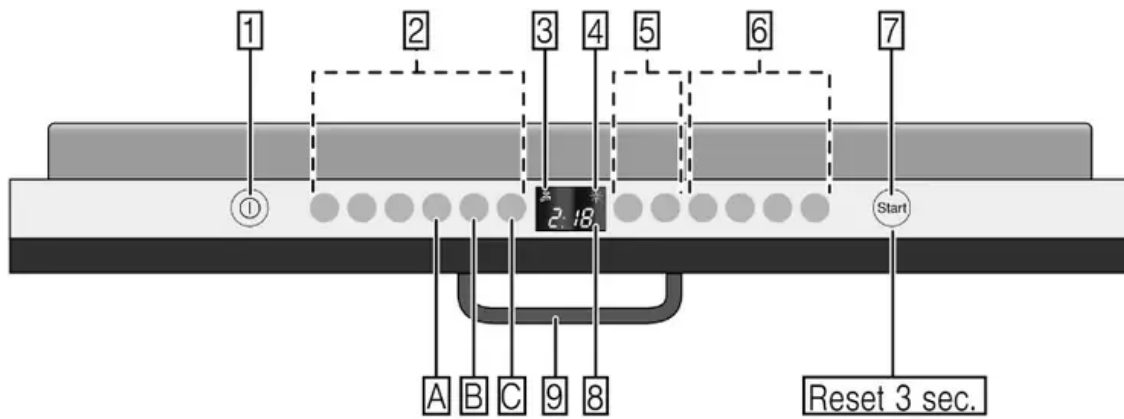


Dishwasher User 's Guide



Getting to know your appliance

Control panel

- 1 On/off switch
- 2 Programme buttons **
- 3 Display "Check water supply"
- 4 Rinse aid refill indicator
- 5 Time preselection
- 6 Additional functions/programme buttons **
- 7 START button
- 8 Display window
- 9 Door opener

* depending on the features of your dishwasher

** number depending on the features of your dishwasher

Appliance interior

- 20 Cutlery drawer *
- 21 Top basket
- 22 Upper spray arm
- 23 Tablet collecting tray
- 24 Lower spray arm
- 25 Filters
- 26 Cutlery basket *
- 27 Bottom basket
- 28 Dispenser for rinse aid
- 29 Detergent dispenser
- 30 Lock for detergent dispenser
- 31 Rating plate

* depending on the features of your dishwasher

Overview of menu

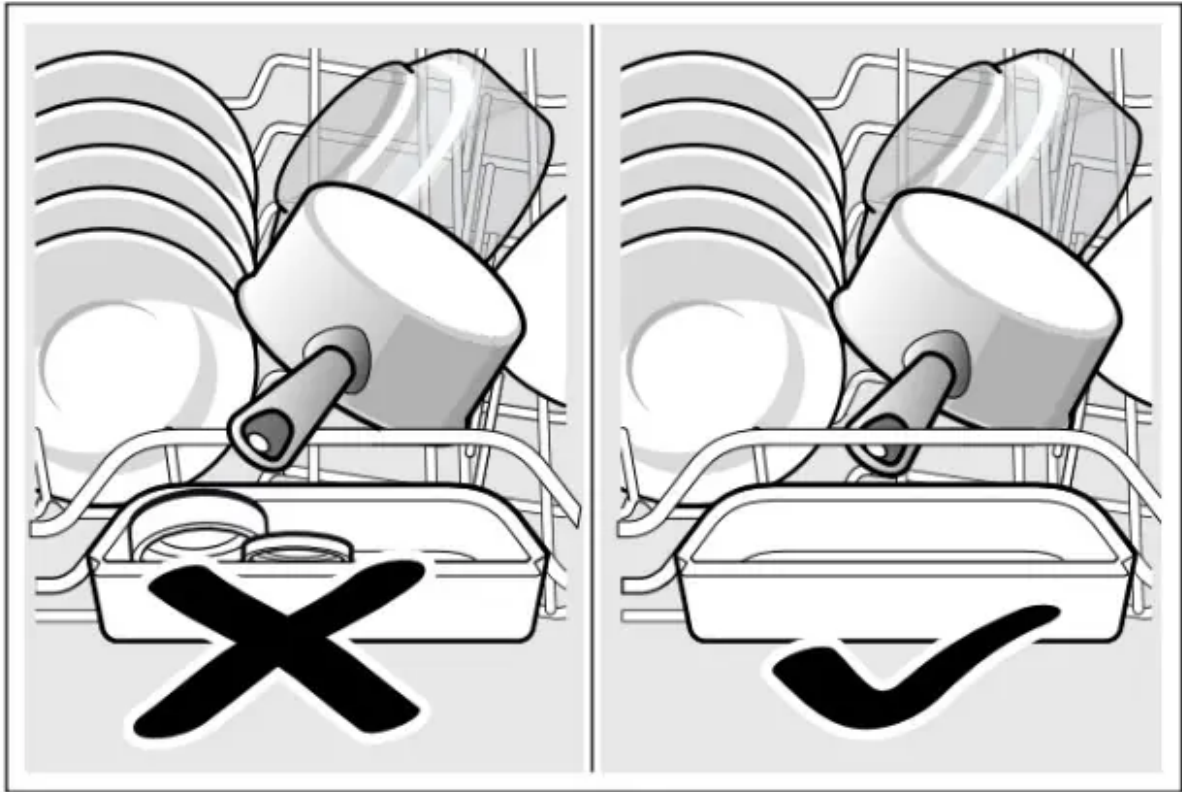
The dishwasher has been preset with certain settings for your convenience.

Setting up	Factory setting	Description
<i>r</i> Rinse aid <i>r:00 - r:06</i>	<i>r:05</i>	Amount of rinse aid affects drying. When using Multitabs, select setting 0.
<i>d</i> ExtraDry <i>d:00 - d:01</i>	<i>d:00</i> / Off	Improved drying for glasses and plastic tableware.
<i>R</i> Hot water * <i>R:00 - R:01</i>	<i>R:00</i> / Off	The dishwasher can be connected to either hot (40-60°C) or cold water (<40°C).
<i>P</i> Auto Power Off <i>P:00 - P:02</i>	<i>P:01</i>	Appliance automatically switches off at the end of each wash.
<i>b</i> Tone volume * <i>b:00 - b:03</i>	<i>b:02</i>	Volume of signal at end of programme.
<i>S</i> Timelight * <i>S:00 - S:02</i>	<i>S:01</i>	While a programme is running, status information is projected onto the floor.
<i>l</i> infoLight * <i>l:00 - l:01</i>	<i>l:01</i> / On	Light is projected to signal an active cleaning cycle.

* depending on the configuration of your specific dishwasher

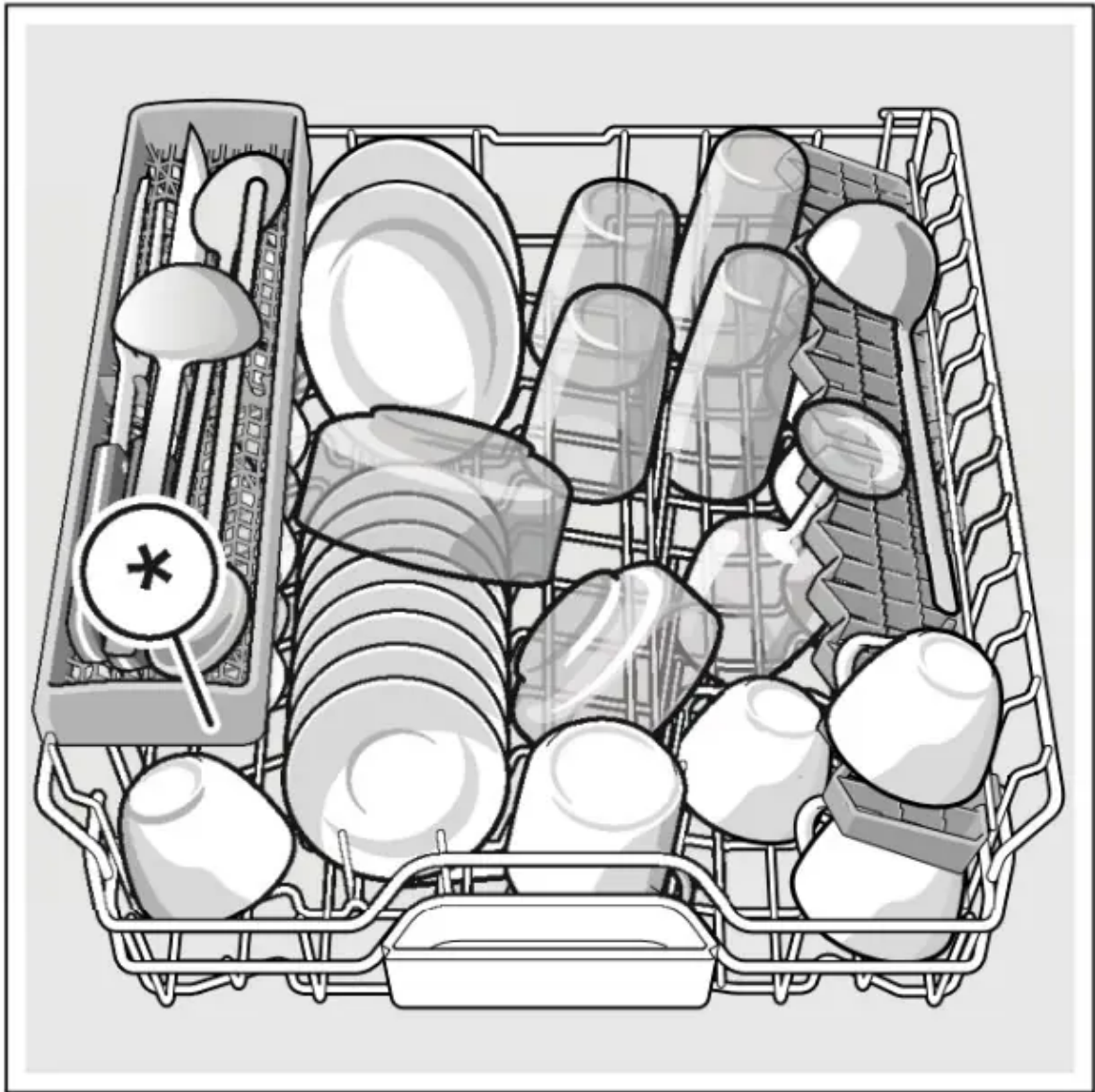
Loading the dishwasher

1. Remove large food remnants. It is not necessary to prerinse utensils under running water.
2. Place the utensils so that
 - they are secure and cannot tip over.
 - all utensils with their openings face down.
 - parts with curves or indentations are at an angle, thereby allowing water to drain.
 - does not obstruct rotation of the two spray arms 22 and 24. Very small utensils should not be washed in the machine, as they may fall out of the baskets.



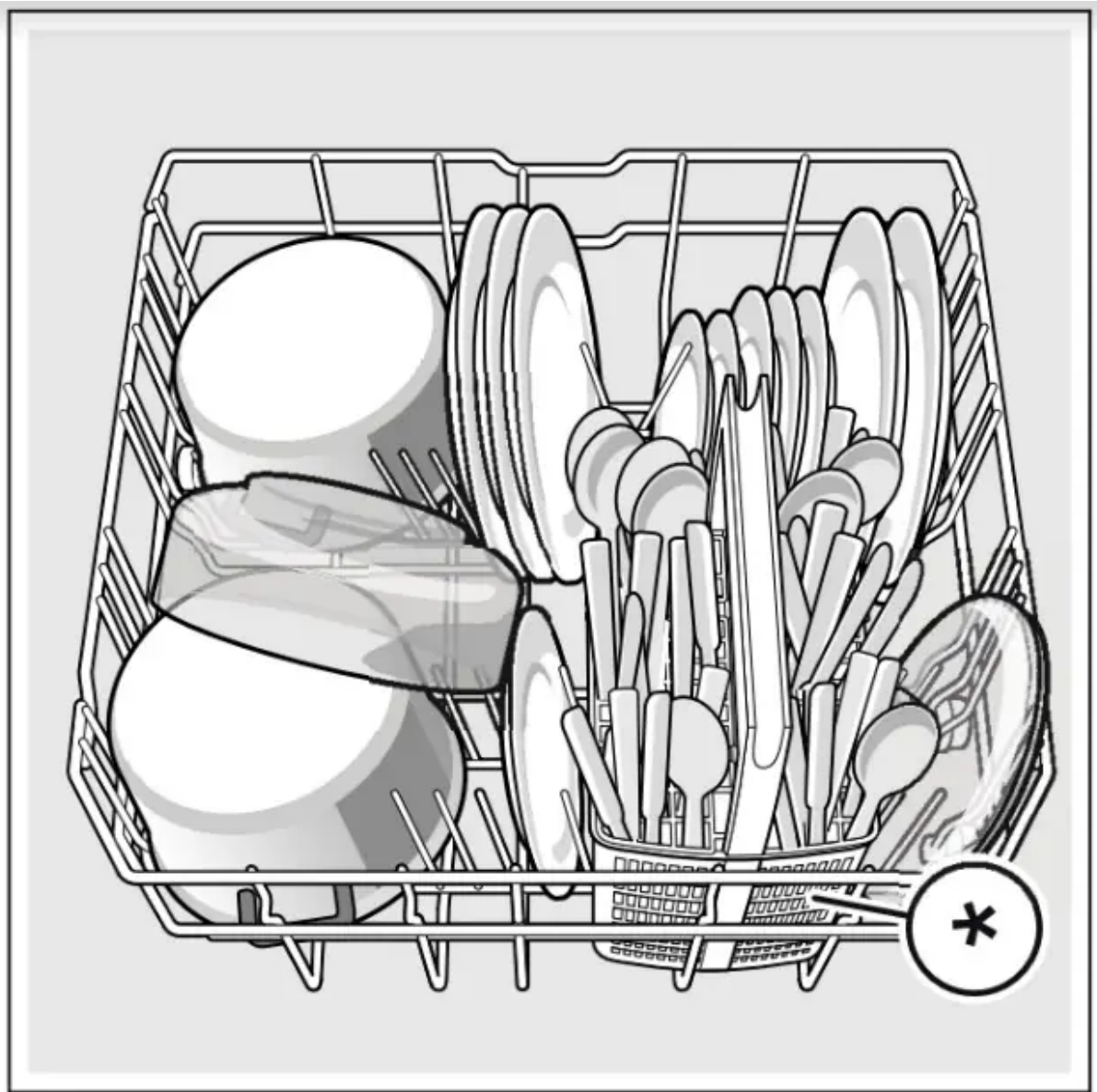
Upper basket

Arrange cups and glasses in the upperbasket [21]



Lower basket

Arrange pots and plates in the lower basket [27]



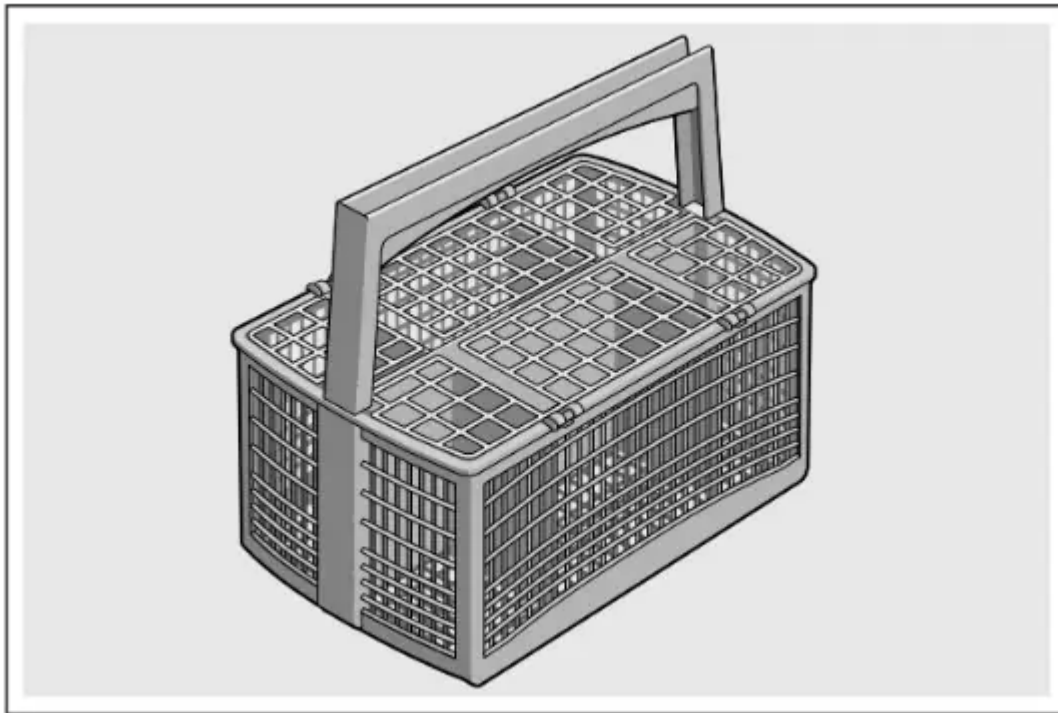
*depending on the features of your dishwasher

Tip: Heavily soiled utensils (pans) should be placed in the lower basket. The more powerful spray jet provides a better dishwashing result.

Tip: Other examples, such as the best way of loading your dishwasher, can be found on our homepage. These can be downloaded free of charge. The corresponding Internet address can be found on the back page of these instructions for use.

Cutlery basket *

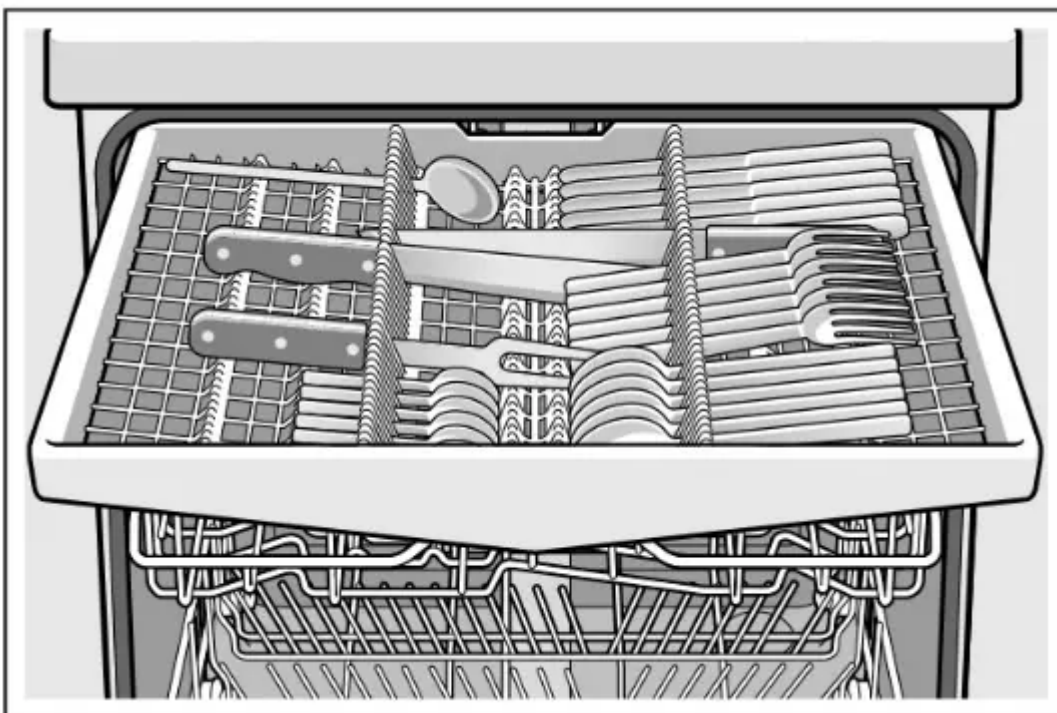
Place cutlery, always unsorted with the tips face down, in the cutlery basket *. To prevent injuries, place long, pointed implements and knives on the knife shelf *.



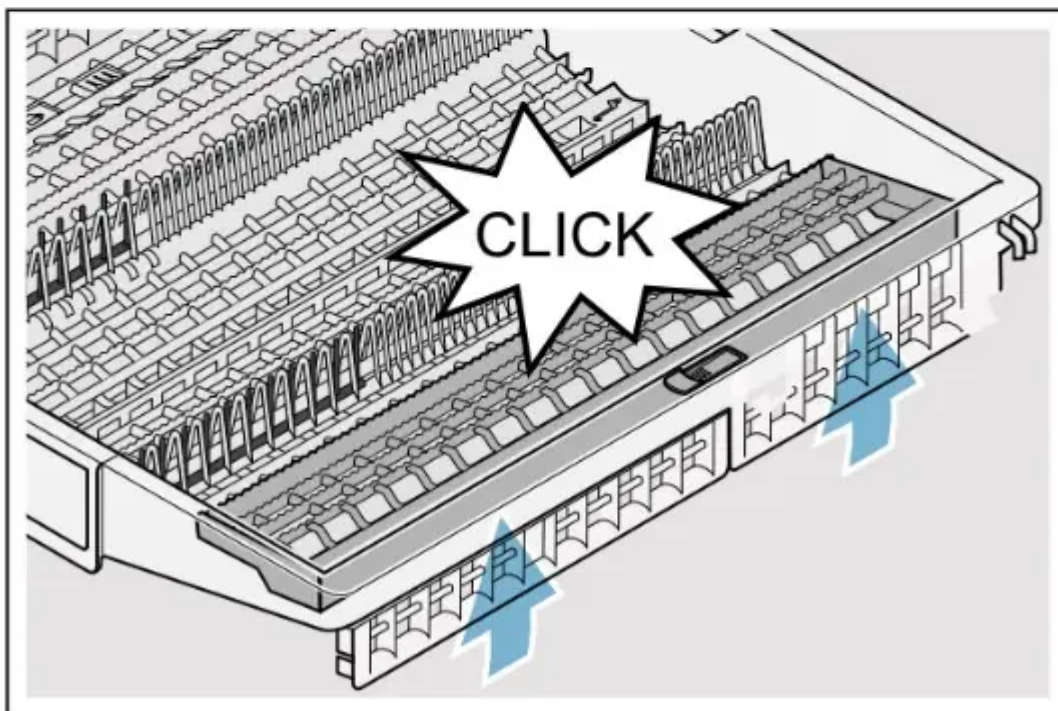
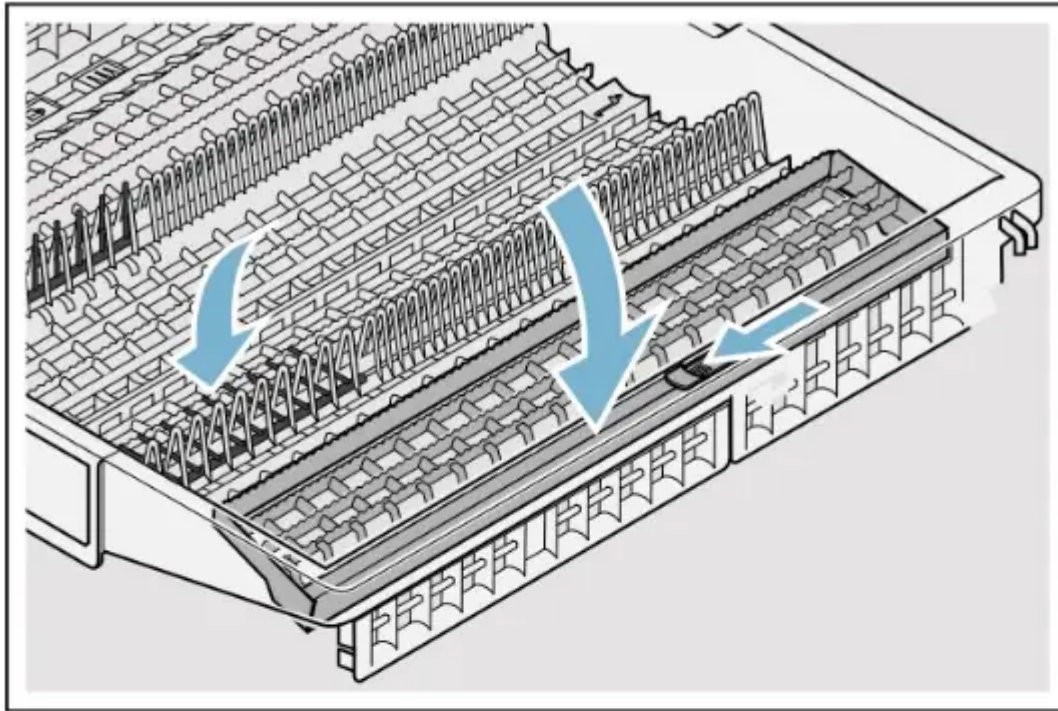
* depending on the features of your dishwasher

Cutlery drawer *

Arrange the cutlery in the cutlery drawer **20** as illustrated. Separately arranged utensils are easier to remove after washing. You can take out the cutlery drawer.



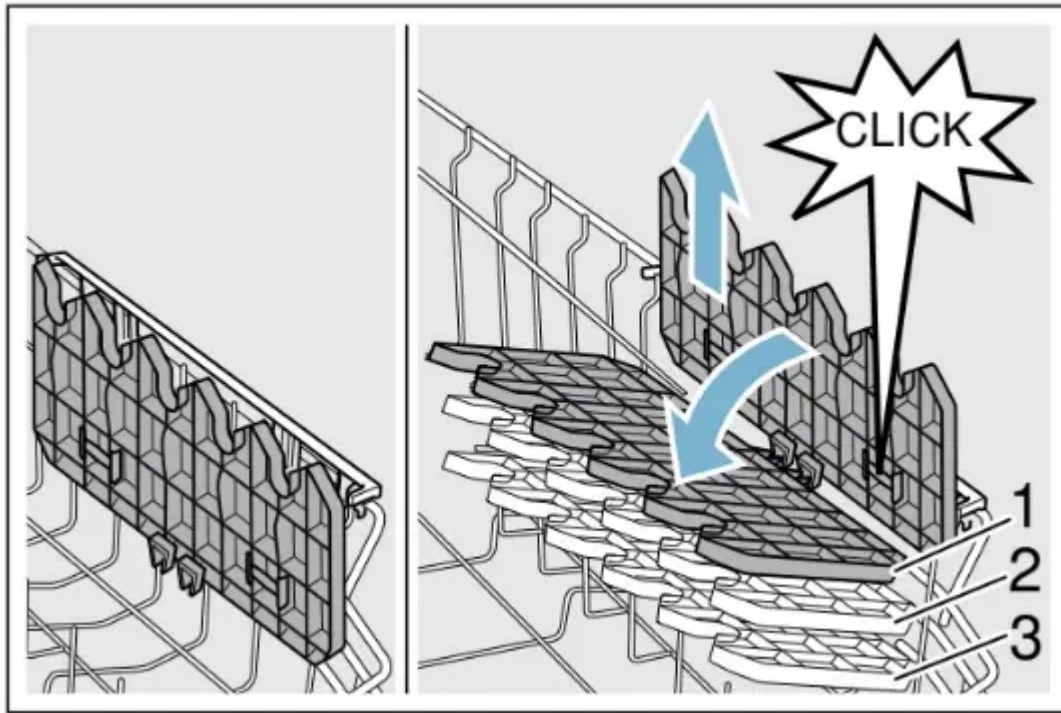
Depending on the features of your dishwasher, you can fold down the side shelves to provide more room for taller items of cutlery. The front rows of prongs can be folded down to provide room for wider handles.



* depending on the features of your dishwasher

Etagere *

The etagere and the space underneath can be used for small cups and glasses or for larger items of cutlery, such as wooden spoons or serving cutlery. If you do not require the etagere, it can be folded up.



* Depending on the features of your dishwasher, you can adjust the etagere 3 times the height.

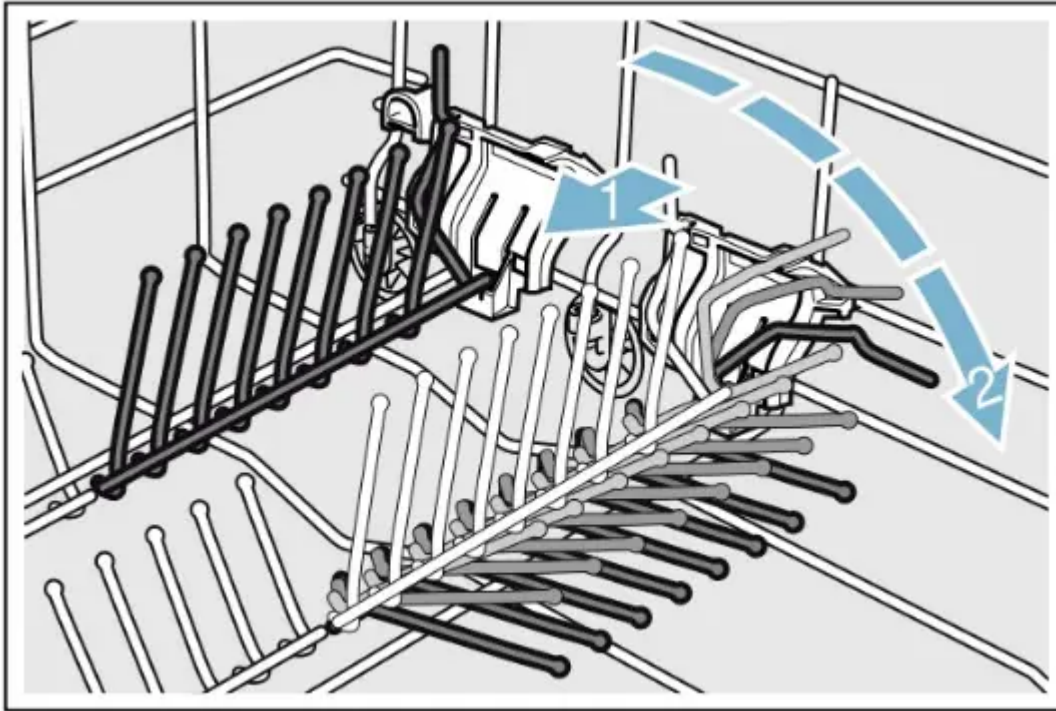
Adjust the height of the etagere as follows:

1. Position the etagere vertically and pull upwards.
2. Push etagere at a slight angle downwards to the required height (1, 2, or 3).
3. Engage etagere. Etagere "clicks" into position.

Folding spikes *

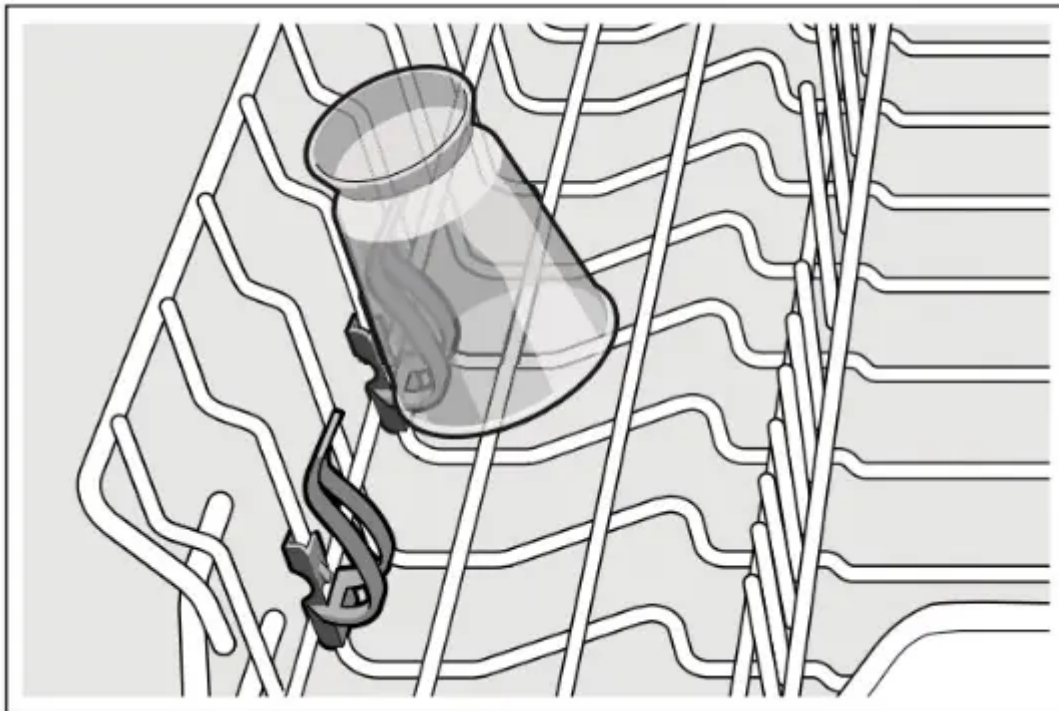
Depending on the features of your dishwasher, the spikes can be folded down. This facilitates arrangement of pots, bowls and glasses. Fold down the spikes as follows:

1. Press lever forwards (1).
2. Fold down spikes (2).



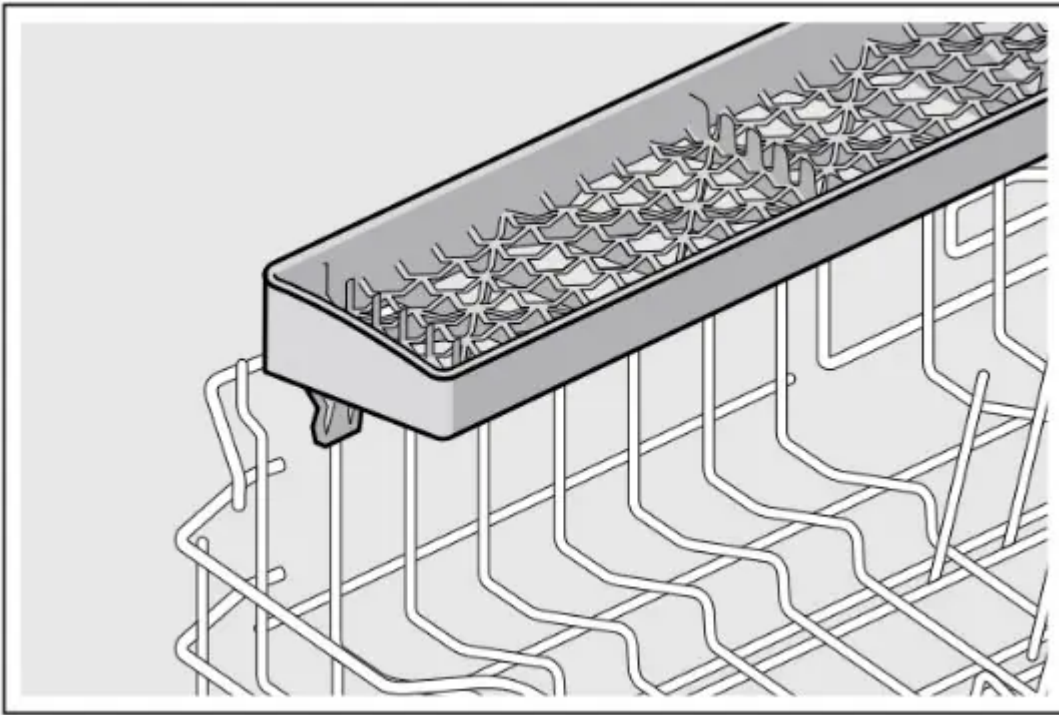
Small items holder *

Depending on the features of your dishwasher, the upper basket is fitted with small items holders. The small items holders can be used to securely attach light plastic parts.



Knife rack *

Depending on the features of your dishwasher, the upper basket is fitted with a knife shelf. Long knives and other utensils can be placed in the knife shelf.



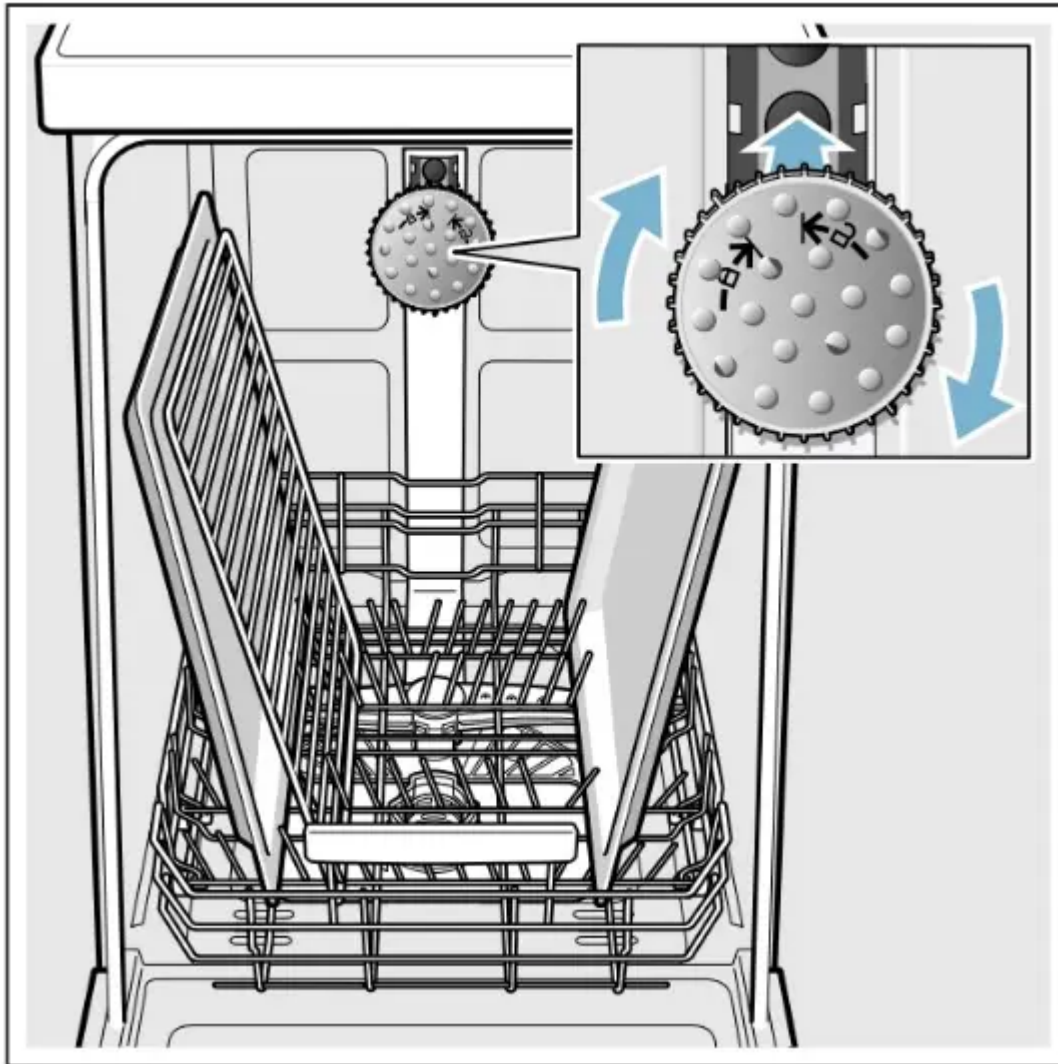
Baking sheet spray head *

* depending on the features of your dishwasher

Large trays or grilles as well as large plates (gourmet plates, pasta plates, dinner plates) can be cleaned with this spray head.

Insert the spray head as follows:

1. Remove upper basket **21**.
2. Insert spray head as illustrated and turn to the right. Spray head is engaged.



To ensure that the spray jet can reach all parts, arrange the baking sheets as illustrated (max. 2 baking sheets and 2 grilles).

Note: Ensure that the dishwasher is always operated with upper basket [21] or baking tray spray head.

Unloading the dishwasher

To prevent water from dripping off the upper basket onto the utensils in the lower basket, it is recommended

to empty the appliance from the bottom up.

Tip: Hot utensils are sensitive to shock! Therefore, when the programme ends, leave the utensils to cool down in the dishwasher until they can be handled.

Note: When the programme ends, water droplets can still be seen inside the appliance. This does not affect the drying of the utensils.

Adjusting the height of the basket *

* depending on the features of your dishwasher

If required, the height of the upper basket [21] can be adjusted to create more space for taller utensils either in the upper or lower basket.

Appliance height 81.5 cm

With cutlery basket	Upper basket	Lower basket
Setting 1 max. ø	22 cm	31 cm
Setting 2 max. ø	24.5 cm	27.5 cm
Setting 3 max. ø	27 cm	25 cm

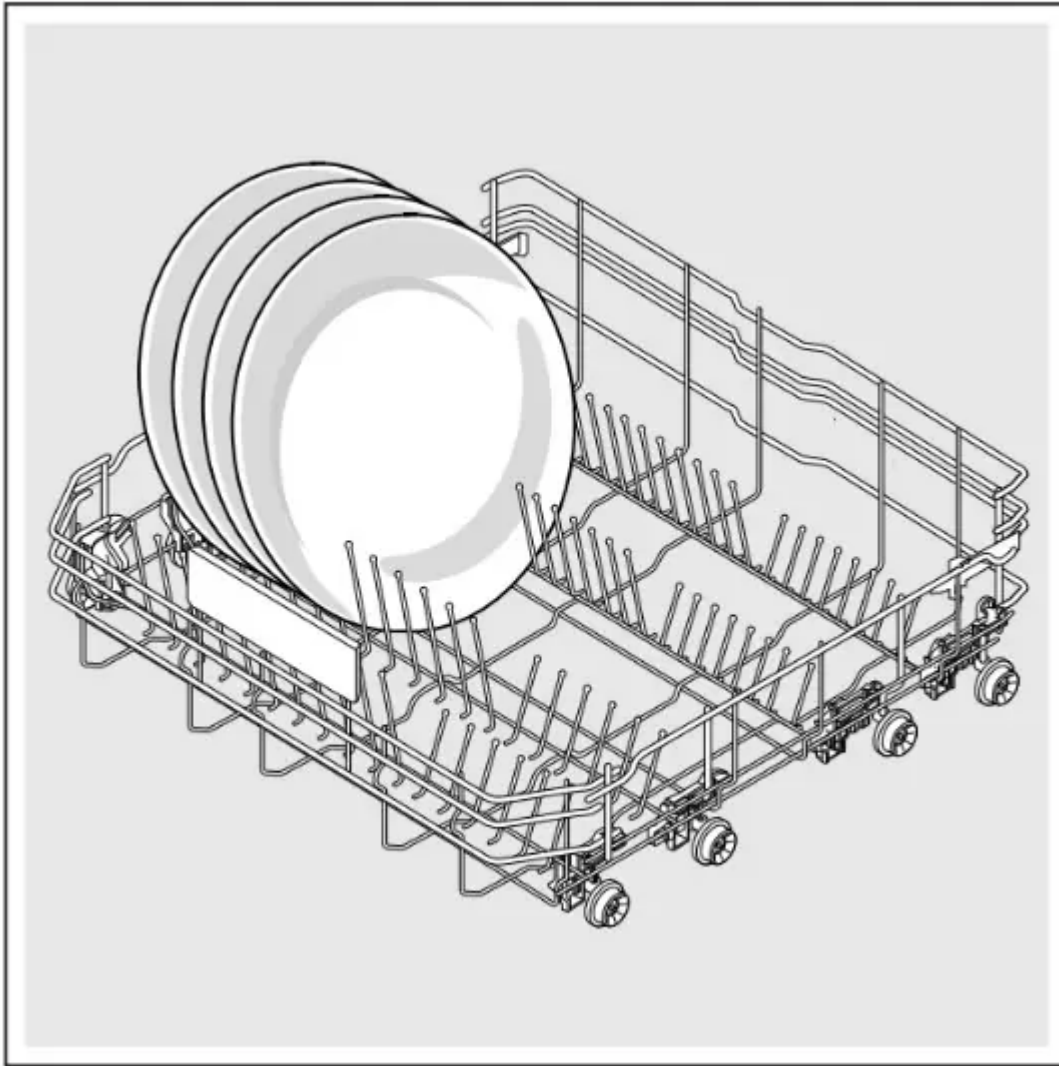
With cutlery drawer	Upper basket	Lower basket
Setting 1 max. ø	16 cm	31 cm
Setting 2 max. ø	18.5 cm	27.5 cm
Setting 3 max. ø	21 cm	25 cm

Appliance height 86.5 cm

With cutlery basket	Upper basket	Lower basket
Setting 1 max. \emptyset	24 cm	34 cm
Setting 2 max. \emptyset	26.5 cm	30.5 cm
Setting 3 max. \emptyset	29 cm	28 cm

With cutlery drawer	Upper basket	Lower basket
Setting 1 max. \emptyset	18 cm	34 cm
Setting 2 max. \emptyset	20.5 cm	30.5 cm
Setting 3 max. \emptyset	23 cm	28 cm

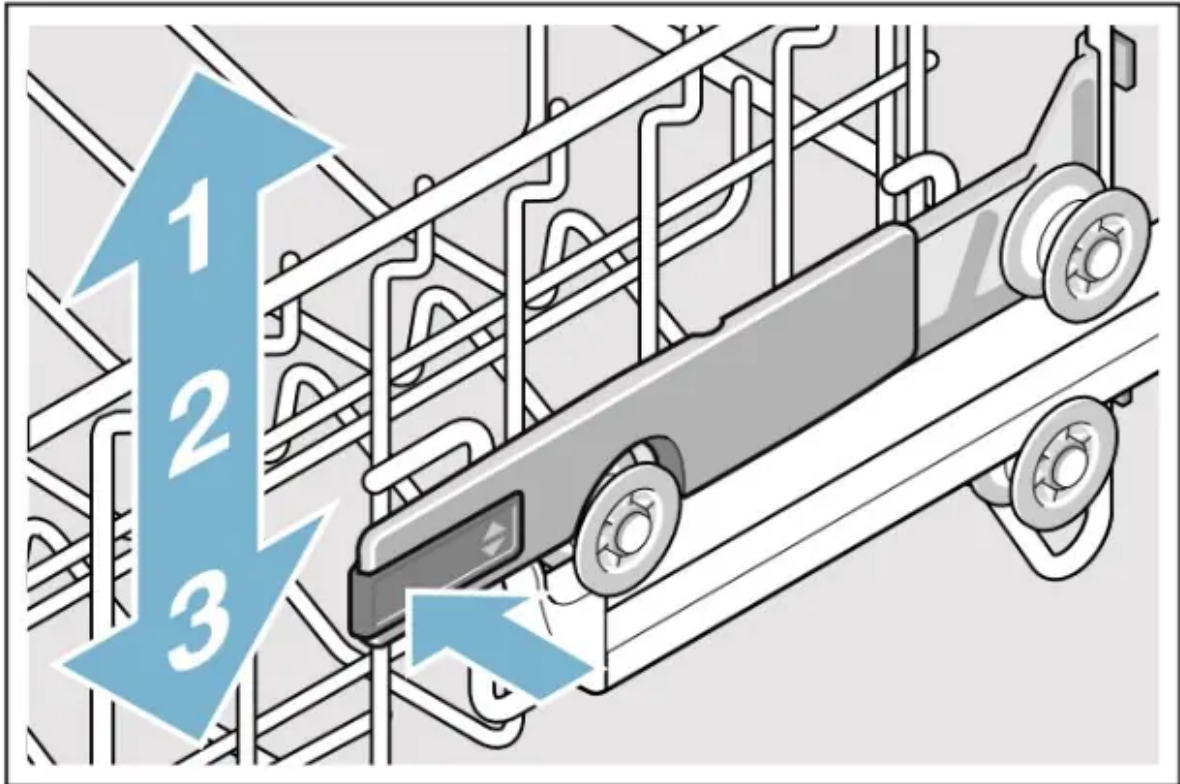
Arrange large plates up to a diameter of 31/34* cm in the lower basket 1Z as illustrated.



* depending on the features of your dishwasher

Upper basket with side levers

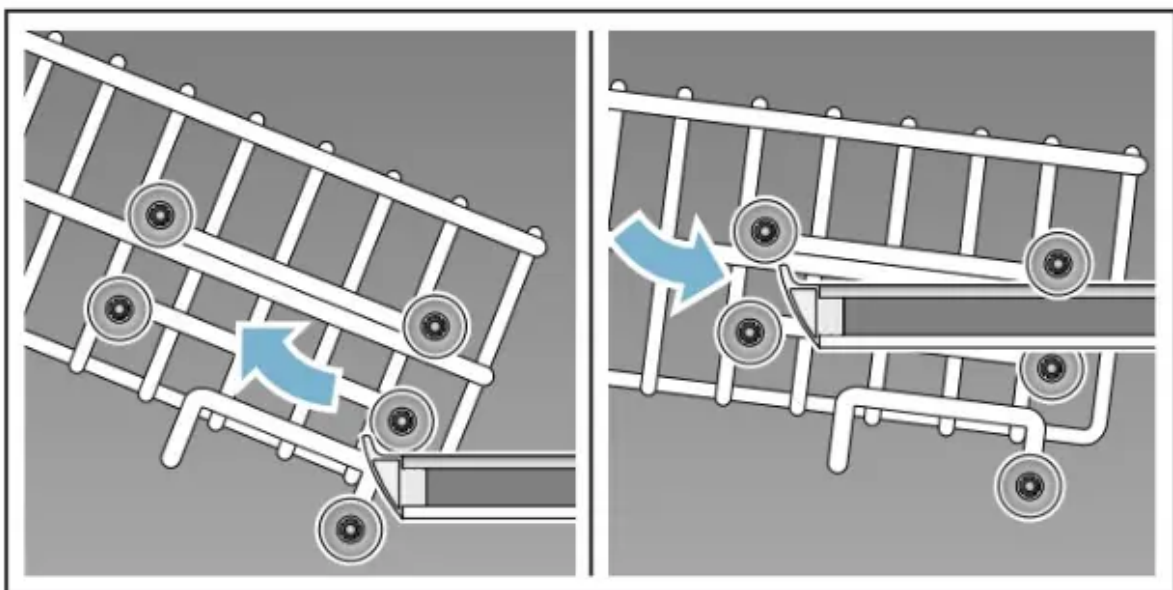
1. Pull out upper basket **[21]**
2. Hold the sides of the basket along the upper edge.
This prevents it from suddenly dropping.
3. To lower the upper basket; press in both levers on the left and right on the outside of the basket. The upper basket lowers.



4. To lift the upper basket; grip the sides of the upper basket along the upper edge and lift.
5. Ensure that both sides of the upper basket are at the same height.
6. Push in upper basket.

Upper basket with upper and lower pairs of rollers

1. Pull out upper basket [21].
2. Remove upper basket.
3. Re-attach upper basket to the upper (Setting 3) or lower (Setting 1) rollers.



4. Push in upper basket.

Detergent

You can use tablets as well as powder or liquid detergents for dishwashers, but never use washing-up liquid. The dosage can be individually adjusted with powder or a liquid detergent according to the degree of soiling. Tablets contain an adequately large amount of active ingredients for all

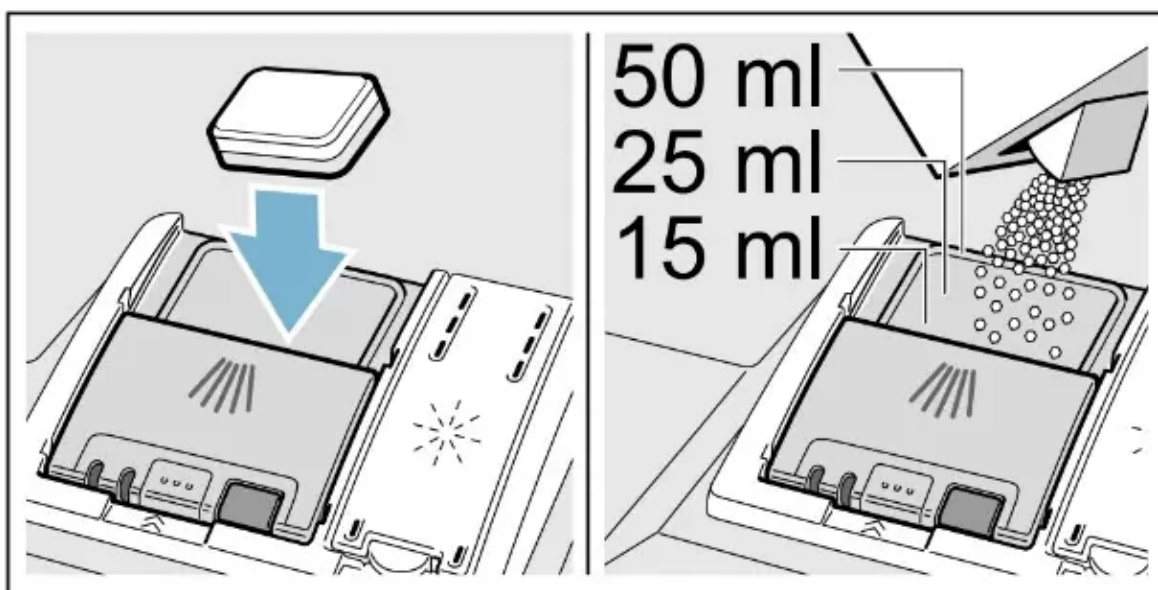
cleaning tasks. Modern, powerful detergents predominantly use a low-alkaline formulation with enzymes. Enzymes break down starch and remove protein. To remove coloured stains (e.g. tea, ketchup), oxygen-based bleaching agents are generally used.

Note: To ensure a good washing result, always follow the instructions on the detergent packaging! If you have further questions, we recommend that you contact the detergent manufacturers' helplines.

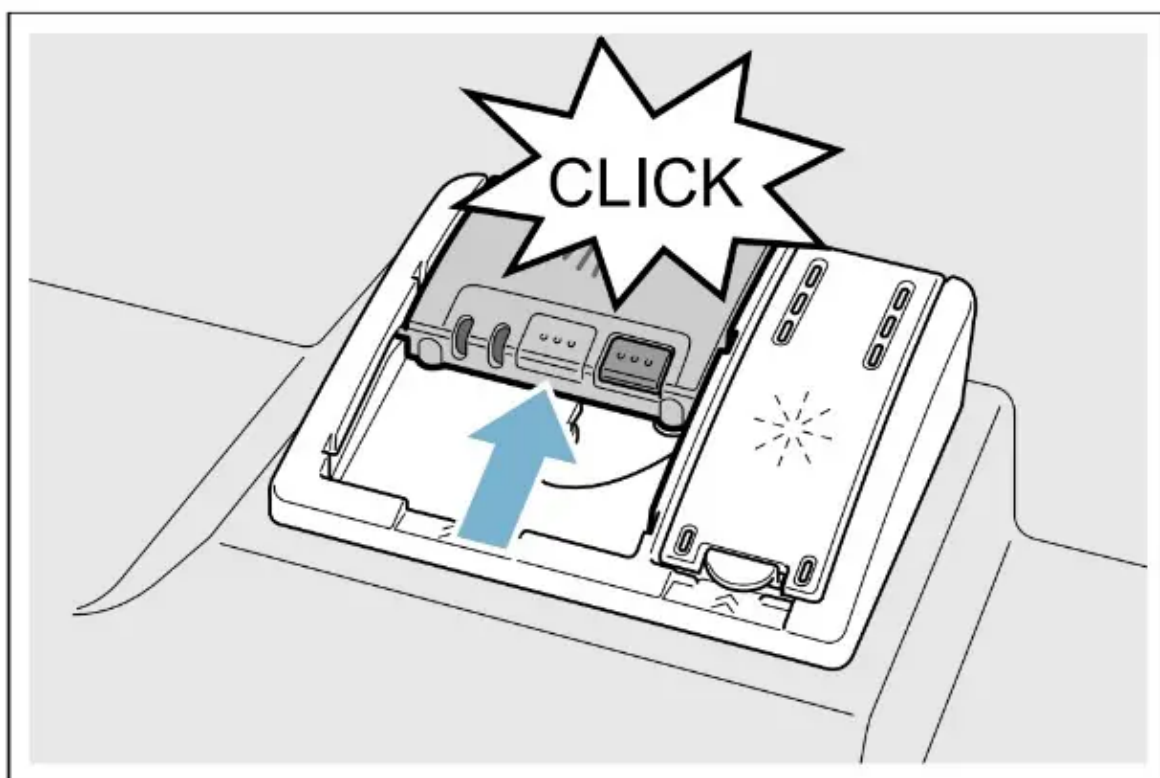
Adding detergent

1. If the detergent dispenser [29] is still closed, actuate locking bar [30] to open it.
2. Pour detergent into the dry detergent dispenser [29] only (insert tablet flat, not on its edge).
3. Dosage: see manufacturer's instructions on the packaging. Use graduated detergent dispenser.

Usually 20 ml–25 ml are adequate for normal soiling. If using tablets, one tablet is adequate.



4. Close cover on the detergent dispenser. Cover “clicks” into position.



The detergent dispenser opens automatically at the optimum time depending on the programme. The powder or liquid detergent is distributed in the appliance and is dissolved, the tablet falls into the tablet collecting tray where it dissolves in doses.

Tip: If the utensils are only lightly soiled, slightly less than the indicated amount of detergent is usually adequate. Suitable detergents and care products can be purchased online via our website or via customer service (see back page).

Notes

- If programmes are short, tablets may not have full cleaning effect due to different dissolving properties and there may even be undissolved detergent residue. It is recommended to use washing powder for these programmes.
- The Intensive programme (on some models) requires one tab only. When using washing powder, you can apply some of this cleaning agent to the inside of the appliance's door.
- If using detergents in a water-soluble protective cover: Take hold of the cover with dry hands only and put the detergent into an absolutely dry detergent dispenser only, otherwise the detergent may stick.
- If you switch from combined detergents to solo detergents, ensure that the water softening system * and amount of rinse aid have been set to the correct value.




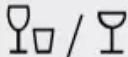
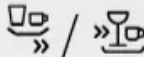
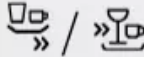
* depending on the features of your dishwasher

Overview of programmes

The max. possible number of programmes is illustrated in this overview. The corresponding

programmes for your appliance can be found on the fascia. The programme data has been measured in the laboratory according to AS/NSZ 2007.

Note: The consumption figures depend on the selected programme and additional functions. The programme duration will be different if the machine is short of rinse additive or the function is turned off.

Type of utensils and soiling	Programme	Programme data 1.) Duration: hs/mins 2.) Energy consumption in kWh 3.) Water consumption in litres 4.) With Aquasensor	Possible additional options	Programme sequence
Pots, utensils and cutlery Highly soiled	 Auto Intensive 65° - 75°	1.) 1:40 - 2:15 2.) 1,30 - 1,60 3.) - 4.) 11 - 15	all	Sensor-controlled: Is optimised according to the soiling with the aid of sensors.
Utensils and cutlery Normally soiled	 Auto Wash 45° - 65°	1.) 1:45 - 2:55 2.) 0,95 - 1,60 3.) - 4.) 7 - 18	all	
Utensils and cutlery Normally soiled	 Eco Wash 45°	1.) 2:50 2.) 0,64 3.) 12 4.) -	all	Most economical programme: Prerinse Clean 45° Intermediate rinse Final rinse 45° Dry
sensitive utensils, cutlery, temperature-sensitive plastic and glasses slightly adhesive, fresh food remnants	 Glass Wash 40°	1.) 1:25 - 1:30 2.) 0,85 - 0,90 3.) 14 4.) 11	IntensivZone Speed Perfect Half load Extra Dry	Particularly gentle: Pre-rinse Clean 40° Intermediate rinse Final rinse 60° Drying
Utensils and cutlery Normally soiled	 Quick 60 min. 65°	1.) 1:00 2.) 1,30 3.) 10 4.) -	Extra Dry	Time-optimised: Clean 65° Intermediate rinse Final rinse Dry
Utensils and cutlery Lightly soiled	 Quick 29 min. 45°	1.) 0:29 2.) 0,80 3.) 10 4.) -	Extra Dry	Time-optimised: Clean 45° Intermediate rinse Final rinse 55°

Operating the appliance

AquaSensor *depending on the features of your dishwasher The Aqua sensor is an optical measuring device (light barrier) which measures the turbidity of the rinsing water.

The AquaSensor is used according to the programme. If the AquaSensor is active, “clean” rinsing water can be transferred to the next rinse bath and water consumption can be reduced by 3–6 litres. If the turbidity is greater, the water is drained and is replaced with fresh water. In the automatic programmes the temperature and running time can also be adjusted to the degree of soiling.

Switching on the appliance

1. Turn tap fully on.

2. Switch on ON/OFF switch [1]

The displays for the last programme and last additional function selected flash. These settings will be retained unless another [2] programme key is pressed. The expected programme duration flashes on the digital display [8].

3. Press the START button [7]. Programme sequence starts.

timeLight (optical display while a programme is running) *

* depending on the configuration of your specific dishwasher

While a programme is running, an optical display (additional programme information) is projected onto the floor at the bottom of the appliance door. If the base panel is pulled forwards or if the appliance is installed at eye-level flush with the furniture then this display will not be visible.

Possible settings of the optical display:

5:00 The display is switched off.

5:01 /5:02 The display can show the programme, the timed delay, remaining time and end of the programme.

The setting **5:01** is set up at the factory.

Here's how to change the setting:

1. Switch on ON/OFF switch [1]

2. Hold down the programme button [A] then repeatedly press the START button [7] until **d: 0..** appears in the display window `.

3. Release both buttons. The illuminated display on the button [A] flashes.

4. Press the programme button [A] repeatedly until **5:0....** appears in the display window [8]. (for the optical display) together with the previously set value, for example **5:01**.

5. Press the programme button [C] repeatedly until the desired value, for example **5:00**

appears in the display window [8].

6. Press START button [7]. The set value is saved.

infoLight (optical display while a programme is running) *

While a programme is running, a light spot is projected onto the floor at the bottom of the dishwasher door. Do not open the dishwasher door until the light spot is no longer visible on the floor. If the door is not properly closed the light spot will flash.* If the appliance is installed at eye-level flush with the furniture, this display will not be visible.

Here's how to change the setting:

1. Switch on ON/OFF switch [1].
2. Hold down the programme button [A] and then repeatedly press the START button [7] until **d:00...** appears in the display window.
3. Release both buttons. The LED of the [A] button flashes and the display window [8] lights up to show the value **d:0...**
4. Press the programme button [A] repeatedly until the factory setting value **1:01** appears in the display window [8].
5. Press the [C] button to switch the function on 1:00 or off **1:01**
6. Press START button [7]. The set value is saved.

Remaining running time display

When the programme is selected, the remaining programme time is indicated in the display window [8].

*After the programme has started, the remaining running time is displayed on the floor (only for settings Timelight **5:01** and **5:02**). The running time is determined during the programme by the water temperature, the quantity of dishes as well as the degree of soiling and may vary (depending on the selected programme).

* depending on the features of your dishwasher

Time preselection *

*depending on the configuration of your specific dishwasher You can delay the start of the programme in hourly steps by up to 24 hours.

Here's how to set up the delay:

1. Switch on ON/OFF switch [1].
2. Press the timer programming button [5] + repeatedly until [8]**h01** appears in the display window.
3. Keep pressing the timer programming button H - or + until the desired time is displayed.

4. Press START button [7]. The delay timer has been activated.
5. To clear the specified delay, press the button [5] - or + repeatedly until [8] **h00** appears in the display window. Until the programme has started, you can change your selection in any way you like.

Programme end

The programme has finished when the value **0:00** appears in the display window [8]. If a value has been set for the signal volume, then the end of the programme is also indicated by a buzzer.

Here's how to change the signal volume:

1. Switch on ON/OFF switch [1].
 2. Hold down the programme button [A] and then repeatedly press the START button [7] until **d:0...** appears in the display window.
 3. Release both buttons. The LED of the [A] button flashes and the display [8] shows the factory setting **d:04....**
 4. Press the programme button [A] repeatedly until the factory setting value **b:02** appears in the display window [8].
 5. Press the programme button [C]. Each time the button is pressed the set value increases by one level; when it reaches the value **b:03** the display jumps back to **b:00** (off).
 6. Press START button [7]. The set value is saved.
- * The end of the programme is displayed in the floor (only for the settings Timelight **5:01**, and **5:02**).
- * depending on the features of your dishwasher

Auto Power Off (Automatic switch off after end of program)

Auto Power Off To save power you can set the dishwasher to switch off automatically from 1 minute to 120 minutes after the end of its programme. You can choose a setting from **P:00** to **P:02**.

P:00 Appliance does not switch off automatically.

P:01 Appliance switches off after 1 minute.

P:02 The appliance switches off after 120 minutes.

Here's how to change the setting:

1. Switch on ON/OFF switch [1].

2. Hold down the programme button [A] and then repeatedly press the START button [7] until **d:0...** appears in the display window.
3. Release both buttons. The LED of the [A] button flashes and the digital display [8] lights up to show the value **d:0...**
4. Press the programme button [A] repeatedly until the value **P:0...** appears in the display window [8].
5. Press the programme button [C] . Each time the button is pressed, the set value increases by one level; when it reaches the value **P: 02** the display jumps back to **P:00**.
6. Press START button [7]. The set value is saved.

Switching off the appliance Shortly after the end of the programme:

1. Switch off ON/OFF switch [1].
2. Turn off water supply (does not apply to appliances with Aqua-Stop).
3. Remove the utensils when they have cooled down.

Note: When the programme ends, leave the appliance to cool down a while before opening it. This will prevent steam from escaping and causing long-term damage to your built-in furniture.

Interrupting the programme Caution!

Expansion (overpressure) may cause the appliance door to jump open and/or water to escape! If the door was opened on an appliance which has a hot water connection or is heated, always leave the door ajar for several minutes and then close it.

1. Switch off ON/OFF switch [1]. The LEDs go out. The programme is saved.
2. Switch on the ON/OFF switch [1] again to continue the programme.

Terminating the programme (Reset)

1. Open the door.
2. Press the START button [7] and hold it down for about 3 seconds. The value **0:01** appears in the display window [8].
3. Close the door. The programme sequence lasts about 1 minute. The value **0:00** appears in the display window [8].
4. Open the door.
5. Switch off ON/OFF switch [1].
6. Close the door.

Changing the programme

When the START button [7] has been pressed, the programme cannot be changed. The only way a programme can be changed is by Cancel programme (Reset).

ExtraDry

The final rinse uses a higher temperature which improves the drying result. The running time

may increase slightly. (Be careful if you have delicate tableware)

1. Switch on ON/OFF switch [1].
 2. Hold down the programme button [A] and then repeatedly press the START button [7] until **d:0...** appears in the display window [8].
 3. Release both buttons.
 4. By pressing the 3 button you can switch intensive drying on **d:01** or off **d:00**.
 5. Press START button [7].
- The set value is saved.

Cleaning and maintenance

A regular inspection and maintenance of your machine will help to prevent faults. This saves time and prevents problems.

Overall status of the dishwasher

*The interior of your dishwasher is predominantly self-cleaning. In order to remove deposits, your dishwasher automatically changes the running of the programme (such as by increasing the cleaning temperature) at certain intervals. This will lead to higher consumption values when running this programme.

*Depending on the features of your dishwasher If you should find deposits in the interior of the dishwasher in spite of this, remove these deposits as follows:

1. Fill the detergent dispenser [29] with detergent.
2. Select the programme with the highest temperature.
3. Start the programme without dishes.

Warning

Health hazard due to detergents containing chlorine! Always use chlorine-free detergents.

Notes

- Only clean the appliance with special detergents/appliance cleaners which are suitable for use with dishwashers.
- Regularly wipe the door seals using a damp cloth and a little washing-up liquid. This will keep the door seal clean and hygienic.
- Leave the door open slightly if the appliance will not be used for a while. This will prevent an unpleasant odour from developing.
- Never clean the dishwasher using a steam cleaner. The manufacturer is not liable for any consequential damage.
- Wipe the front of the dishwasher and the control panel regularly using a damp cloth and a little washing-up liquid.
- Do not use sponges with a rough surface or abrasive detergents. These could scratch the surface.

- For dishwashers with a stainless steel front, avoid using sponge cloths, or rinse these thoroughly several times before using them for the first time. This will prevent corrosion.

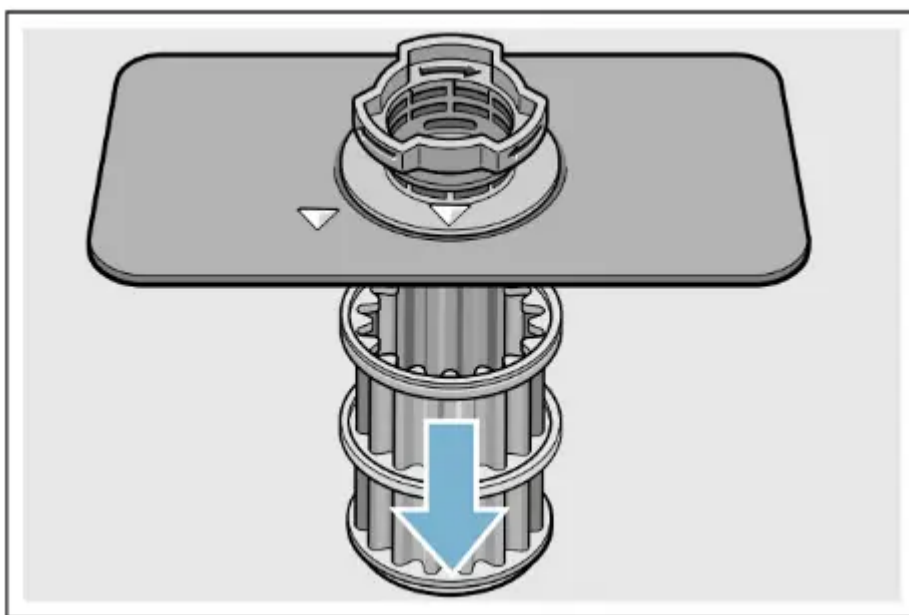
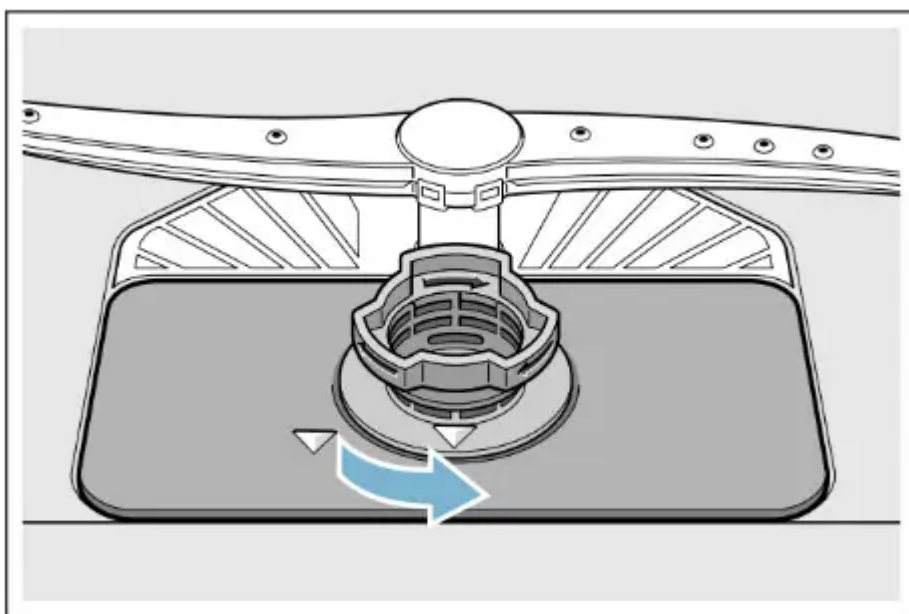
Filters

The filters [25] keep large foreign objects in the rinsing water away from the pump. These foreign objects may occasionally block the filters.

The filter system consists of

- a coarse filter
- a flat fine filter
- a microfilter

1. After each washing cycle check the filters for residue.
2. Unscrew filter cylinder as illustrated and take out filter system.

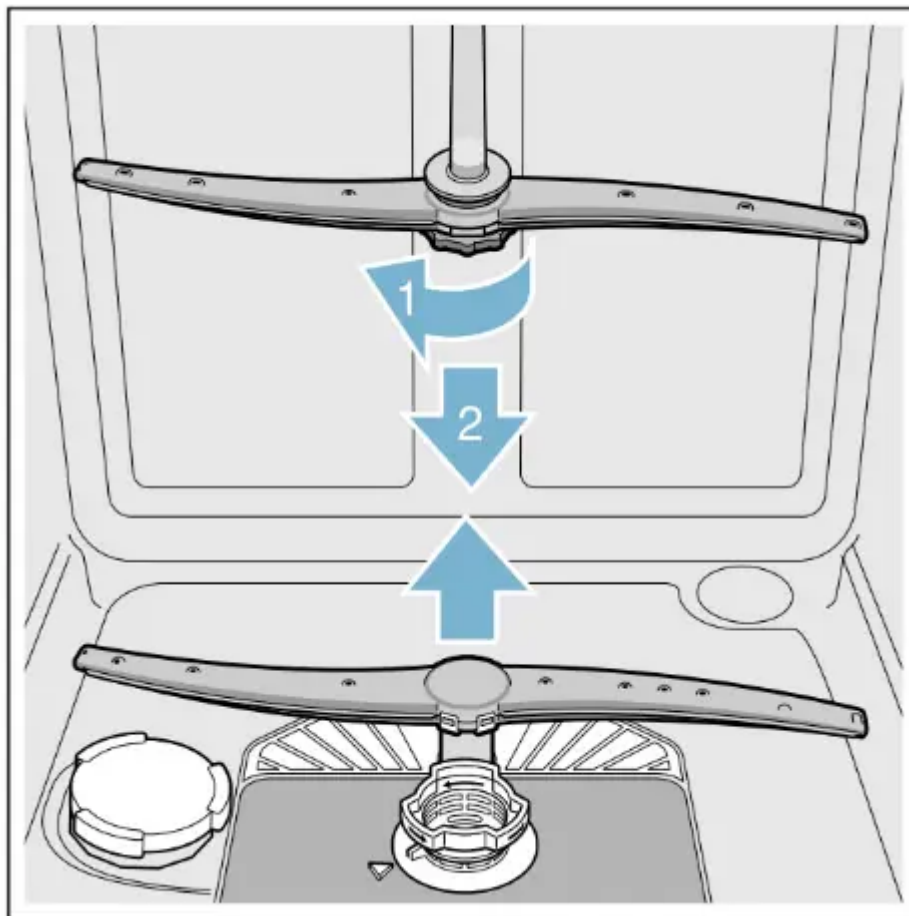


3. Remove any residue and clean filters under running water.
4. Re-install filter system in reverse sequence and ensure that the arrow marks are opposite each other after closing the filter system.

Spray arms

Limescale and contaminants in the rinsing water may block nozzles and bearings on the spray arms **22** and **24**.

1. Check outlet nozzles on the spray arms for blockages.
2. Unscrew the upper spray arm **22** (1) and remove downwards (2).
3. Remove the lower spray arm **24** upwards.



Machine Care

Machine Care used in combination with commercially available machine cleaning detergent is a suitable programme for cleaning your dishwasher. Deposits such as grease and limescale can cause your dishwasher to malfunction. In order to avoid such faults and to reduce the development of odours, we recommend cleaning the dishwasher at regular intervals.

* As soon as the Machine Care display lights up in the control panel, or you are advised to do so on the front display, run the Machine cleaning programme Machine Care without

loading any tableware. After you have run the Machine Care the display in the control panel will go out. If your dishwasher does not have a reminder function, follow the instructions for use on the machine cleaning detergents.

Notes

- Remove any coarse soiling in the interior using a damp cloth.
- Run the programme without dishes, and in combination with a machine cleaning detergent.
- Use a special machine cleaning detergent, and not dishwasher detergent.
- Observe the safety instructions and the instructions for use on the machine cleaning detergent packaging.
- *After three rinse cycles, the display in the control panel will go out automatically, even if you have not run the Machine cleaning cycle programme.

* depending on the features of your dishwasher

Rinse aid Fill the rinse aid as soon as the refill indicator 4 lights up in the control panel.

Fault, what to do?

Experience has shown that you can rectify most faults which occur in daily operation yourself. This ensures that the appliance is quickly available to you again. In the following overview you can find possible causes of malfunctions and helpful information for rectifying them. Note: If the appliance stops during dishwashing or does not start for no obvious reason, first run the Abort programme function (Reset)

Warning

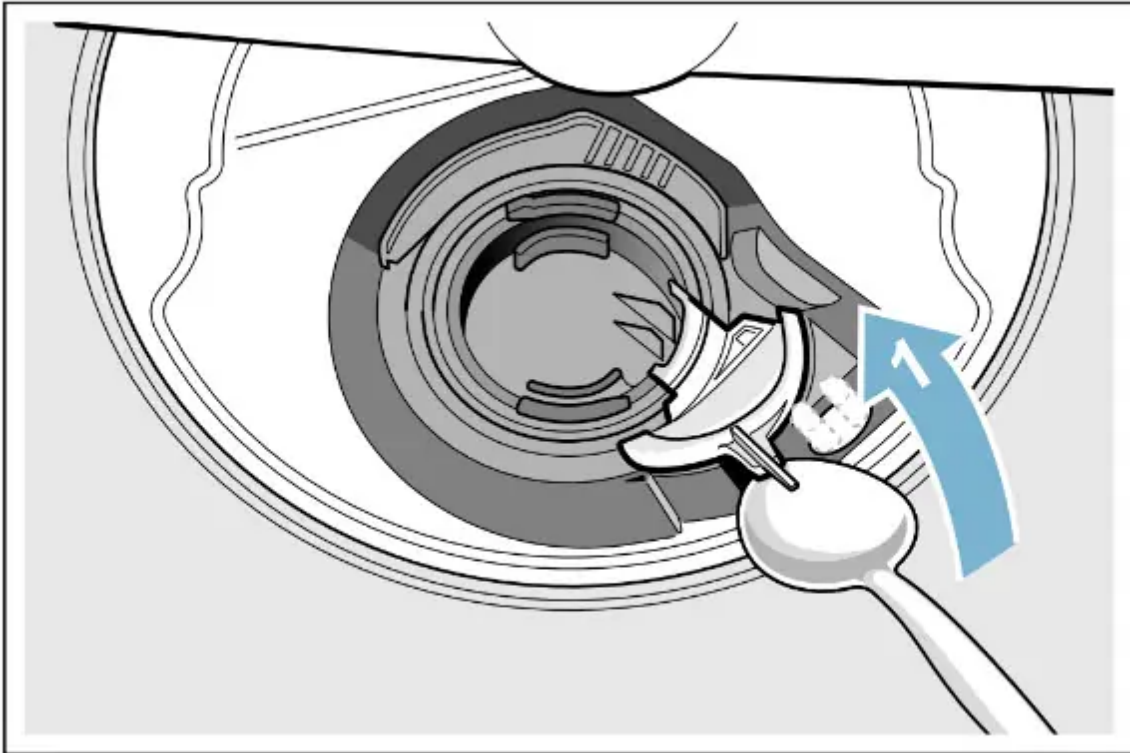
- Improper repairs or use of non-original spare parts may cause considerable damage and put the user at considerable risk! Always have repairs carried out by technicians. If a component has to be replaced, always use original spare parts.
- Waste water pump
- Large food remnants or foreign objects which were not captured by the filters may block the waste water pump. The rinsing water will then be above the filter.

Warning Danger of cutting!

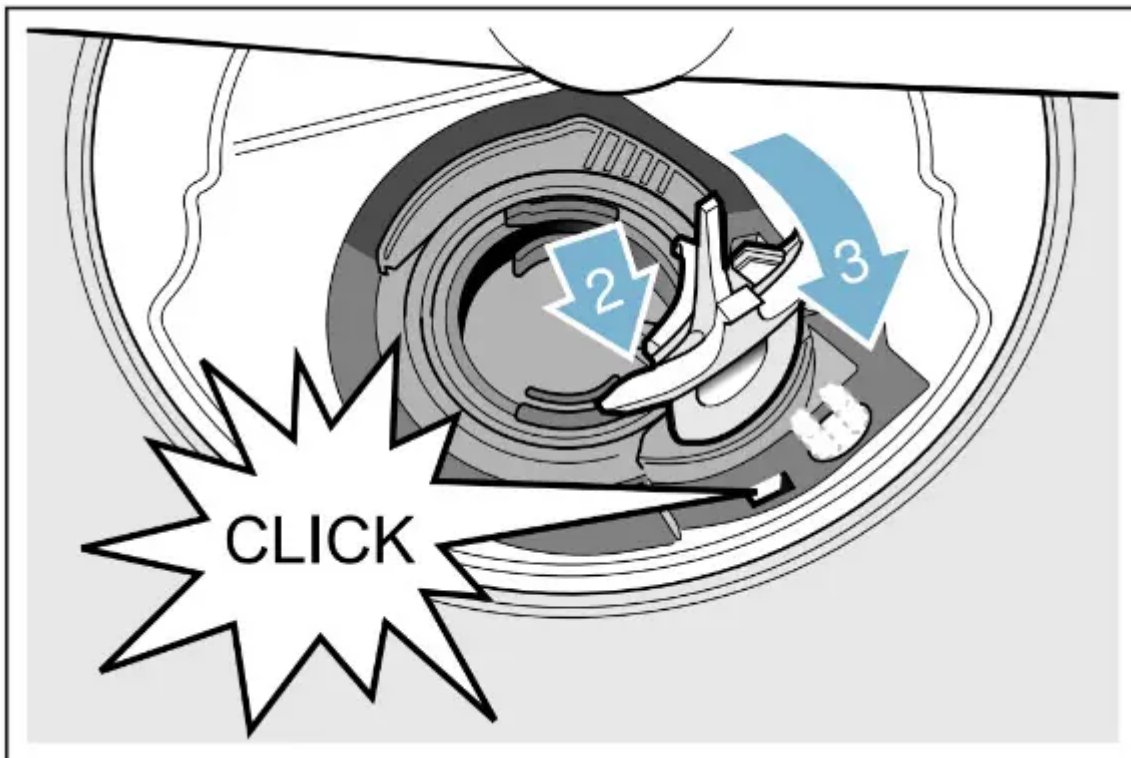
Sharp and pointed objects or glass fragments may block the waste water pump. Always carefully remove foreign objects. Clean the waste water pump as follows:

1. Disconnect the dishwasher from the power supply.
2. Take out top basket [21] and bottom basket [27]
3. Remove the filters [25]
4. Scoop out water, use a sponge if required.

5. Prise off the pump cover (as shown) using a spoon. Grip the pump cover by the crosspiece and lift diagonally inwards (1). Remove cover completely.



6. Check impeller wheel and remove any foreign objects.
7. Place pump cover in the original position (2) and press down until it engages (3).

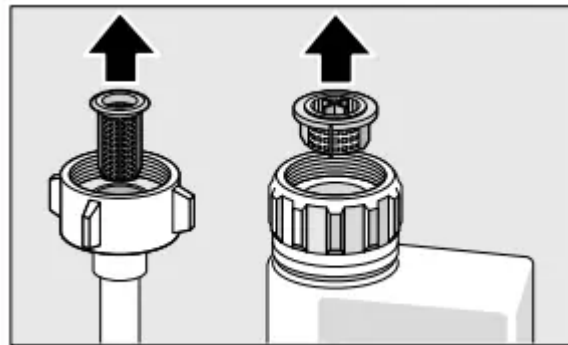


8. Install filters.
9. Re-insert baskets

Fault table

“Check water supply” display 3 lights up

- Supply hose kinked.
 - Install supply hose without kinks.
- Tap turned off.
 - Turn on the tap.
- Tap jammed or calcified.
 - Turn on the tap.
 - Flow rate must be at least 10 l/min. when water supply is open.
- Filter in the water supply blocked.
 - Switch off the appliance and pull out the mains plug. Turn off the tap. Unscrew



water connection.

- - Clean filter in the supply hose. Screw water connection on again. Check for leaks. Reconnect power supply. Switch on the appliance

Fault code **E:07** is lit.

- Intake opening (on right inside of appliance) covered by utensils.
 - Arrange utensils so that the intake opening is not obstructed.

Fault code **E:12** is lit.

- Heating element soiled.
 - Clean appliance with dishwasher cleaning agent.

Fault code **E:14, E:15** is lit.

- Water protection active.
 - Turn off tap. Call customer service and quote the fault code.

Fault code E:16 is lit.

- Constant water supply
 - Turn off tap. Call customer service and quote the fault code.

Fault code E:22 is lit.

- Filters 25 are soiled or blocked.
 - Clean filters.-> "Filters" on page 30

Fault code E:24 is lit.

- Wastewater hose kinked or blocked.
 - Install hose without kinks, remove any residue.
- Siphon connection still sealed.
 - Check connection to siphon and open if required.
- Cover on the wastewater pump loose.
 - Lock cover correctly.-> "Waste water pump" on page 31

Fault code E:25 is lit.

- Wastewater pump blocked or cover on the wastewater pump is not locked in position.
 - Clean pump and lock cover correctly. -> "Waste water pump" on page 31

Fault code E:27 is lit.

- Mains voltage too low.
 - No appliance fault, have the mains voltage and electrical installation checked.

A different fault code is indicated on the digital display. E:01 to E:30

- A technical fault has probably occurred.
 - Switch off the appliance with the ON/OFF switch [1]. After a short time, restart the appliance. If the problem recurs, turn off the tap and pull out the mains plug. Call customer service and mention the fault code.

L or H appears on the digital display 8

- Not a fault!
 - See TurboSpeed 20 min. in the chapter "Overview of programmes". *

Refill indicator for rinse aid 4 is lit.

- No rinse aid.
 - Refill rinse aid.

Refill indicator for rinse aid 4 is not lit.

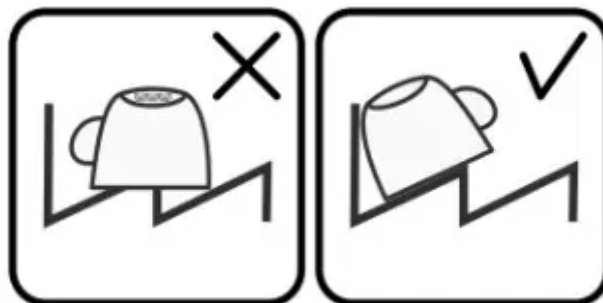
- Refill indicator switched off.
 - Activation/Deactivation.
- There is still enough special rinse aid available.
 - Check the filling level, refill indicator.

Water is left in the appliance at the end of the programme.

- Filter system or area under the filters 25 is blocked.
 - Clean filters and area underneath (see “Waste water pump”).
- Programme not finished yet
 - Wait until programme ends or reset (see “Terminating the programme”).

Utensils not dry.

- Not enough rinse aid in the dispenser, or none at all.
 - Refill rinse aid.
- Programme without drying was selected.
 - Select programme with drying.
- Water collecting in depressions on the utensils and cutlery.
 - Arrange utensils in a sloping position, arrange affected utensils as sloping as possible.



- The combined detergent used has a poor drying performance.
 - Use different combination detergent with better drying performance. Use of rinse aid also improves the drying performance.

- Intensive drying to increase drying not activated.
 - Activate intensive drying. -> "Operating the appliance"
- Utensils were removed too early or drying process had not ended yet.
 - Wait until the programme ends, or wait until 30 minutes after the end of the programme before removing the utensils.
- The eco rinse aid used has a poor drying performance.

Drying performance. Use a name-brand rinse aid. Eco products are much less effective.

Plastic utensils not dry.

- Special properties of plastic.
 - Plastic has a lower heat storage capacity and therefore dries less well.

Cutlery not dry.

- Cutlery not arranged properly in the cutlery basket.
 - Separate cutlery if possible, prevent contact points.
- Cutlery not arranged properly in the cutlery drawer.
 - Arrange cutlery properly and separate if possible.

Appliance interior wet after rinse cycle.

- No appliance fault.
 - On account of the "Condensation drying" principle, water droplets are physically induced and required in the container. The humidity in the air condenses on the inner walls of the dishwasher, drains and is pumped out.

Food remnants on the utensils.

- Utensils placed too closely together, utensils basket overfilled.
 - Arrange utensils with adequate clearance between them ensuring that the spray jets can reach the surface of the utensils. Prevent contact points.
- Spray arm rotation obstructed.

Arrange utensils so that the spray arm can rotate without obstruction.

Spray arm nozzles are blocked.

Clean the spray arm nozzles. -> "Cleaning and maintenance"

- Filters 25 dirty.
 - Clean filters. -> "Cleaning and maintenance"

- Filters 29 inserted incorrectly and/or not engaged.
 - Insert and engage filters correctly.
- Rinse programme too weak.
 - Select a more intensive rinse programme.
- Utensils precleaned too intensely; sensors therefore decide on weak programme sequence. Stubborn soiling cannot be completely removed.
 - Do not prerinse utensils. Remove only large food remnants.
- Tall narrow receptacles in corner areas are not rinsed adequately.
 - Do not place tall narrow receptacles too obliquely and do not place in the corner area.
- Top basket 21 on right and left not set to same height.
 - Set top basket to same height using side levers.

Detergent residue

- Detergent dispenser cover 29 blocked by utensils and therefore does not open fully.
 - Utensils must not be placed above the tablet collecting tray 23. These may block the lid of the detergent dispenser and prevent it from opening fully. -> "Upper basket". Do not place utensils or fragrance dispenser in the tablet collecting tray.
- Detergent dispenser cover 29 blocked by the tablet.
 - Tablet must be inserted flat and not upright.
- Tablets used in the quick or short programme. Dissolving time of the detergent is not reached in the selected short programme.
 - Dissolving time of tablets too long for a quick or short programme. Use a detergent powder or select a more intensive programme.
- Washing effect and dissolving performance are reduced after a prolonged storage time or detergent is very lumpy.
 - Change detergent.

Water stains on plastic parts.

Droplet formation on plastic surface is physically unavoidable. After drying, water stains are visible.

Use a more intensive programme (more water changes). Arrange utensils in a sloping position.

Use rinse aid.

Washable or water-soluble coatings in the container or on the door.

- Detergent substances are deposited. These coatings cannot usually be removed with chemicals (appliance cleaner, ...).
 - Change detergent brand. Clean appliance mechanically.
- Only for glasses: Initial glass corrosion – can only apparently be wiped off.
 - See “Glass and utensil damage”

White, stubborn coatings; limescale on the utensils, container or door.

- Detergent substances are deposited. These coatings cannot usually be removed with chemicals (appliance cleaner, ...).
 - Change detergent brand. Clean appliance mechanically.

Underdosing of detergent.

Increase detergent dosage or change detergent.

Rinse programme selected too weak.

Select a more intensive rinse programme.

Tea or lipstick residue on the utensils.

- Rinsing temperature too low.
 - Select programme with higher rinsing temperature.
- Too little or unsuitable detergent.
 - Use suitable detergent at correct dosage.

Utensils precleaned too intensely; sensors therefore decide on weak programme sequence. Stubborn soiling cannot be completely removed.

Do not prerinse utensils. Remove only large food remnants.

Coloured (blue, yellow, brown), difficult to remove to non-removable coatings in the appliance or on stainless steel utensils.

- Film formation consisting of ingredients from vegetables (e.g. cabbage, celery, potatoes, noodles, ...) or the tap water (e.g. manganese).
 - Can be partly removed with machine cleaner or by mechanical cleaning. Coatings are harmless.
- Film formation caused by metallic components on silver or aluminium utensils.
 - Can be partly removed with machine cleaner or by mechanical cleaning.

Discolouration of the plastic parts inside the appliance.

- Plastic parts inside the appliance may become discoloured during the service life of the dishwasher.
 - Discolouration is normal and will not impair the function of the dishwasher.

Plastic parts discoloured.

- Rinsing temperature too low.
 - Select programme with higher rinsing temperature.
- Utensils precleaned too intensely; sensors therefore decide on weak programme sequence. Stubborn soiling cannot be completely removed.
 - Do not prerinse utensils. Remove only large food remnants.

Removable streaks on glasses, glasses with metallic appearance and cutlery.

- Too much rinse aid.
 - Set rinse aid amount to lower setting setting.
- No rinse aid added or setting too low.
 - Add rinse aid and check dosage (recommended Level 4–5).
- Detergent residue in the final rinse. Detergent dispenser cover blocked by utensils (cover does not open fully).
 - Detergent dispenser cover must not be obstructed by utensils. Do not place utensils or fragrance dispenser in the tablet collecting tray.
- Utensils precleaned too intensely; sensors therefore decide on weak programme sequence. Stubborn soiling cannot be completely removed.
 - Do not prerinse utensils. Remove only large food remnants.

Initial or existing, irreversible clouding of glass.

- Glasses not dishwasher-proof, only suitable for dishwasher.
 - Use dishwasher-proof glasses. Avoid long steam phase (standing time after rinse cycle ends). Use rinse cycle at lower temperature. Use detergent with glass protection component.

Rust spots on the cutlery.

- Cutlery is not sufficiently rust-resistant. Knife blades are frequently more severely affected.
 - Use rust-resistant cutlery.

- Cutlery will also rust if rusting parts are rinsed at the same time (pan handles, damaged utensil baskets, etc.).
 - Do not wash rusting parts.

Appliance cannot be switched on or operated.

- Malfunction.
 - Disconnect appliance from the power supply; pull out the mains plug or switch off the fuse. Wait at least 5 seconds, then connect the appliance to the power supply.

Appliance does not start.

- The mains fuse has tripped.
 - Check mains fuse.
- Power cord not inserted.
 - Ensure that the power cord is plugged all the way into the back of the appliance and into the socket. Check that the socket functions.
- The appliance door has not been shut properly.
 - Close the door.

Programme start automatically.

- You did not wait until programme ended.
 - Perform reset. (See “Terminating the programme”)

The door is difficult to open.

- Child-proof lock is activated.
 - Deactivate child-proof lock.(See instructions for use at the back)

Door cannot be closed.

- Door lock has been activated.
 - Close door with increased force.
- Door cannot be closed due to installation.
 - Check appliance installation: Door or attached parts must close without obstruction.

Cover on the detergent dispenser cannot be closed.

- Detergent dispenser or cover guide blocked by sticky detergent residue
 - Remove detergent residue.

Detergent residue in the detergent dispenser or in the tablet collecting tray.

- Spray arms blocked by utensils, therefore detergent is not rinsed out.
 - Ensure that the spray arms can rotate freely.
- The detergent dispenser was damp when filled.
 - Pour detergent into the dry detergent dispenser only.

Appliance stops during the programme or programme is interrupted.

- Door not closed properly.
 - Close the door.
- Do not place utensils or fragrance dispenser in the tablet collecting tray. Top basket presses against the door and prevents door from being closed securely.
 - Check whether rear panel is being pressed in, e.g. by socket or by hose holder which has not been removed.
- Power and/or water supply interrupted.
 - Restore power and/or water supply.

Filling valves making striking noises.

- Depends on domestic installation, as appliance is not defective. No effect on appliance function.
 - No remedial action possible.

Knocking or rattling noise.

- Spray arm strikes the utensils, utensils not positioned correctly.
 - Position utensils so that the spray arms do not strike the utensils.
- If there is a low load, the water jets strike the washing tank directly.
 - Load the appliance with more utensils or distribute the utensils more evenly in the dishwasher.
- Light utensils move during the rinse cycle.
 - Arrange light utensils securely.

Unusual foam formation.

- Hand washing-up liquid in the rinse aid dispenser.
 - Immediately refill rinse aid dispenser with rinse aid.
- Rinse aid spilled.
 - Remove rinse aid with a cloth.

Installation and connection

The dishwasher must be connected correctly, otherwise it will not function properly. The specifications for the inlet and outlet as well as the electrical connected loads must correspond with the required criteria as specified in the following paragraphs or in the installation instructions.

Install the appliance in the correct sequence:

1. Checking appliance on delivery
2. Installation
3. Drainage connection
4. Drinking water connection
5. Electrical connection

Technical specifications

- Weight: up to 60 kg
- Voltage: 220–240 V, 50 Hz or 60 Hz
- Connected load: 2000 - 2400 W.
- Fuse: 10/16 A (UK 13 A).
- Power input:
 - Off mode (Po)* 0.10 W.
 - Left On mode (Pl)* 0.10 W.

*according to regulations (EU) nos. 1016/2010 and 1059/2010.

Additional functions and settings may increase the power consumption.

- Water pressure: at least 0.05 MPa (0.5 bar), maximum 1 MPa (10 bar).

At a higher water pressure: connect pressure-reducing valve ahead.

- Inlet rate: minimum 10 litres/minute
- Water temperature: cold water.

Hot water: Maximum temperature 60 °C.

- Capacity: 12–15 place settings (depending on the features of your dishwasher).

Installation

The required installation dimensions can be found in the installation instructions. Level the appliance with the aid of the height-adjustable feet. Ensure that the appliance is situated securely on the floor.

- A built-under or integrated appliance which is installed subsequently as a free-standing appliance must be secured to prevent it from overturning, e.g. by screwing it to the wall or by

installing it under a continuous worktop which is screwed to adjacent cupboards.

- The appliance can easily be installed in a fitted kitchen between wooden and plastic walls.


Drainage connection

1. The required work sequence can be found in the installation instructions. If required, fit a siphon with an drainage connection.
2. Connect the waste-water hose to the drainage connection of the siphon with the enclosed parts. Ensure that the drainage hose is not kinked, crushed or twisted and that there is no cover plate in the drainage to prevent the waste water from flowing out!

Here's how to change the hot water setting:

1. Switch on ON/OFF switch **1**.
2. Hold down the programme button **A** and then repeatedly press the START button **7** until **d:0** appears in the display window.
3. Release both buttons. The LED of the **A** button flashes and the digital display **8** lights up to show the value **d:0**....
4. Press the programme button **A** repeatedly until the factory setting value **A:00** appears in the display window **8**.
5. By pressing the **C** button, you can switch the hot water setting off **A:00** or on **A:01**
6. Press START button **7**.The set value is saved.

Electrical connection

- Connect the appliance to an alternating current only, ranging from 220 V to 240 V and 50 Hz or 60 Hz via a correctly installed socket with protective earth conductor. See rating plate for required fusing 31.
- The socket must be near the appliance and freely accessible following installation. If the plug is not freely accessible, an allpole disconnecter with a contact opening of at least 3 mm must be fitted on the installation side to satisfy the relevant safety instructions.
- The connection may be modified by technicians only.
- A power cord extension may be purchased from customer service only.
- Use only a residual current operated circuit-breaker which features the symbol  Only this extension guarantees compliance with the currently valid regulations.
- The appliance features a water damage protection system. Please note the system will function only when the power supply is connected.

Transporting

Empty the dishwasher and secure loose parts.

Drain the appliance according to the following steps:

1. Turn on water supply.

2. Switch on ON/OFF switch **1**.
3. Select programme with the highest temperature. The estimated programme duration appears in the display window **8**.
4. Press START button **7**. Programme sequence starts.
5. After about 4 minutes, repeatedly press the **START** button **7** until **0:01** appears in the display window. After about 1 minute the display window will show **0:00**.
6. Switch off **ON/OFF** switch **1**.
7. Turn off water supply, disconnect supply hose and drain water.

Note: Always transport the dishwasher upright. This prevents residual water from getting into the machine's controls and causing the programme sequence to malfunction.

Removal

Also observe the sequence of worksteps here.

1. Disconnect the appliance from the power supply.
2. Turn off the tap.
3. Undo the waste water and drinking water connection.
4. Loosen fastening screws for the furniture parts.
5. If fitted, remove the base panel.
6. Pull out the appliance, carefully pulling the hose behind.

Warning

This content is compiled from multiple sources and is provided for reference purposes only. It may not be complete or fully applicable to all situations. If you are unable to resolve your issue, please contact the product manufacturer or an authorized service provider for official support.