

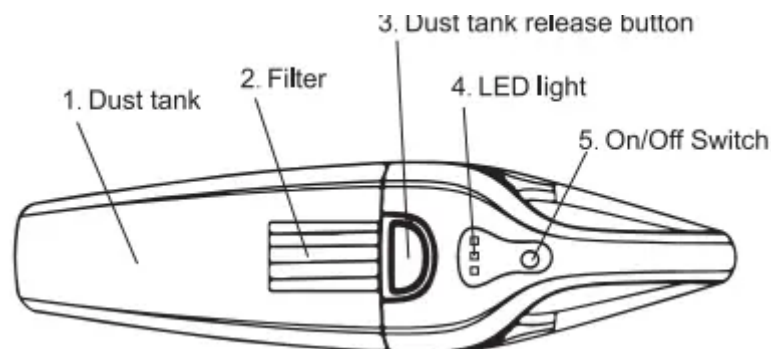
Intended Use

- ◆ The vacuum cleaner is intended for vacuuming and extracting materials that are not hazardous to one's health.
- ◆ The vacuum cleaner is intended for commercial/indoor use, for example in car, department, house, hotels, schools, factories, shops, offices.
- ◆ This vacuum can vacuum dry dust, trash.

Technical Data

Model	A7
Battery volume	2200mAh
Charging time	4.5h
Power	100W
Mode	7Kpa/20min

Introduction of Components



Starting Operation

Charging

- ◆ Please make sure vacuum has been turned off before it connect to adapter to charge, protecting the battery against dangerous overload.
- ◆ It is normal the vacuum may become warm when it under usage.

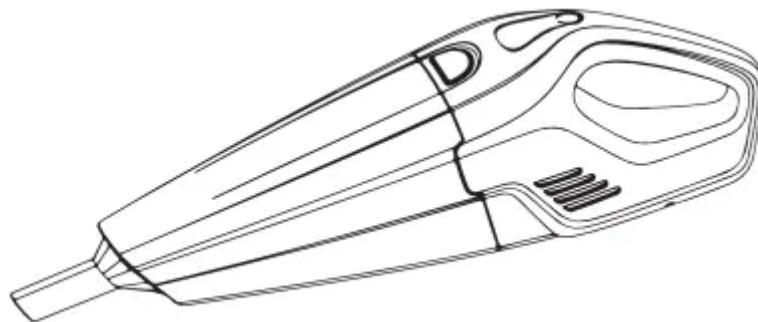
Light indicator

- ◆ Charging-- 3 blue led lights will on one by one, with the charging process Fully Charge-3 blue led lights on.
- ◆ Working-Blue light on, If it is not fully charged, flashing Light indicates power volume.
- ◆ Low power-Only one led light is flashing.



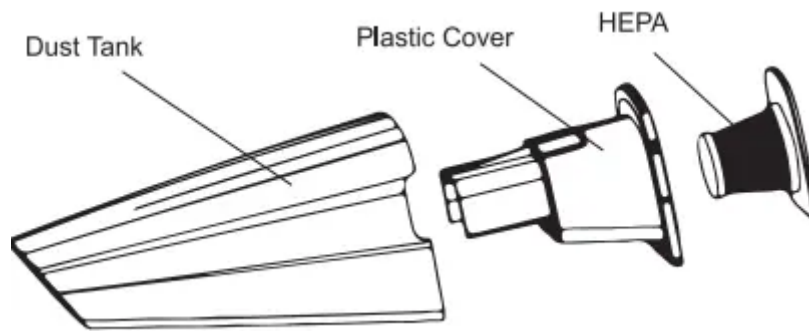
Do not connect the adaptor when using the appliance

- ◆ Before vacuuming, ensure that the filter assembly is assembled securely.
- + Only use an undamaged filter (no cracks, small holes, etc.). Replace a damaged filter immediately.
- ◆ Insert the nozzle/connector/round brush/hose into main unit when cleaning table, car, corner sofa, carpet etc...
- ◆ Insert the rubber nozzle into appliance when vacuum water.
- ◆ Switch the vacuum with on/off button.



Cleaning

1. Press the release button to remove the whole dust tank and take the dust container off.
2. Pulling out the filters and emptying the contents of the dust container into a suitable vessel or HEPA. Washing the filters and parts with water when the dust is too much on the. Empty the dust tank.
3. Re-install the components, and assembly dust tank.



Troubleshooting

Weak suction	<ol style="list-style-type: none"> 1. Too much dust, need empty the dust tank. 2. Clean the HE PA filter, and dust tank. 3. Replace the HEPA filter. 4. HE PA is wet, need to dry before use it.
Emits unusual noise	<ol style="list-style-type: none"> 1. Check if the filter cup is installed correctly. 2. Dust has gotten in the machine bringing damage to the vacuum. 3. The vacuum may has some unexpected problem, and need contact manufacture.
Battery doesn't charge	<ol style="list-style-type: none"> 1. Check if charge socket work well. 2. Check if the charger & charging base are connected correctly. 3. If there is no light on when charging, contact the seller for help.

Warning

This content is compiled from multiple sources and is provided for reference purposes only. It may not be complete or fully applicable to all situations. If you are unable to resolve your issue, please contact the product manufacturer or an authorized service provider for official support.