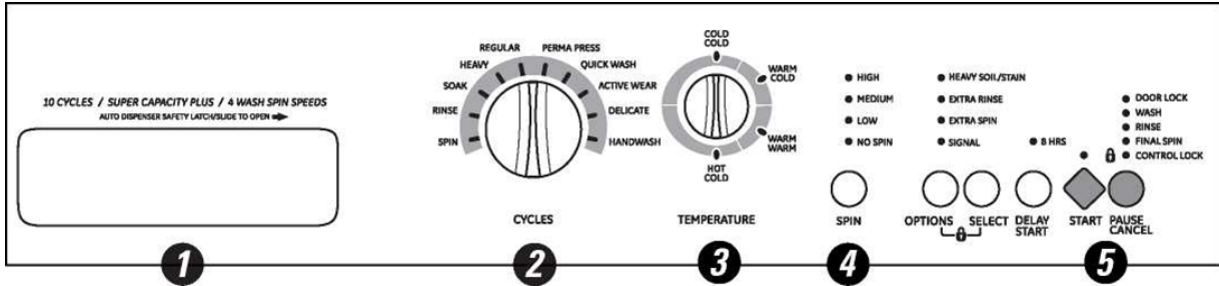


Operating Instructions

You can locate your model number at the top inside of the door opening



Control Settings

1. Automatic Dispenser and Safety Latch

Safety latch slides to the right to open drawer. (Latch locks to the left on its own.) Add detergent, liquid bleach and fabric softener to this drawer.

2. Wash Cycle

The wash cycle controls the length of the washing process. The chart below will help you match the wash cycle setting with your loads. Set the desired wash cycle by turning the cycle knob.

HANDWASH	For items labeled hand-washable with light soils. Provides gentle rocking to mimic the handwashing action.
DELICATE	For lingerie and special-care fabrics with light to normal soil. Provides gentle tumbling and soak during wash and rinse.
ACTIVE WEAR	For active sports, exercise and some casual wear clothes. Fabrics include modern technology finishes and fibers such as spandex, stretch and micro-fibers.
QUICK WASH	For lightly soiled items you need in a hurry.
PERMA PRESS	For wrinkle-free and permanent press items.
HEAVY	For heavily soiled cottons, household linens, work and play clothes.

3. Temperature

Select the water temperature for the wash and rinse cycles. Always follow garment manufacturer's care label or instructions when laundering.

4. Spin Speed

The HIGH spin speed is for durable items.

The MEDIUM spin speed is for delicate items like sweaters and lingerie.

When using the MEDIUM spin speed, clothes will be less dry than when using the HIGH spin speed.

5. START/PAUSE CANCEL

Start the washer by closing the door and pressing the **START** button.

To stop the washer, press the **PAUSE CANCEL** button. Press the **START** button to restart.

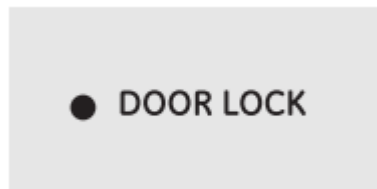
- *The washer will not operate with the door open.*
- *The door will automatically lock during the entire wash cycle.*

Signal

When the Signal is ON, it will sound at the end of the cycle.

Extra Rinse (available on some cycles)

Use an extra rinse when additional rinsing is desired to remove excess dirt and detergent from soiled loads.



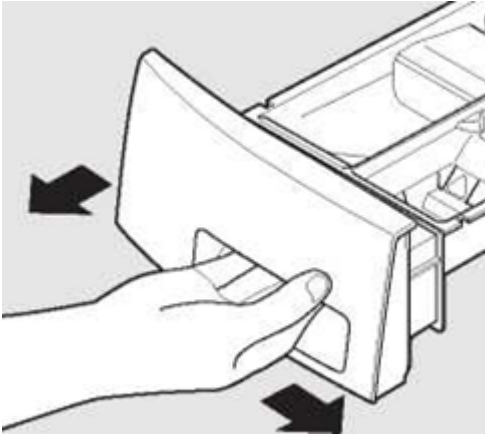
Door Lock Indicator Light

The indicator light is ON and the door is locked when the **START** button is pressed. The light turns OFF at the end of the cycle.

Control Lock

To prevent accidentally starting or stopping the washer, press **OPTIONS** and **SELECT** at the same time until the Control Lock indicator is lighted. To unlock the controls, press **OPTIONS** and **SELECT** again.

The Dispenser Drawer

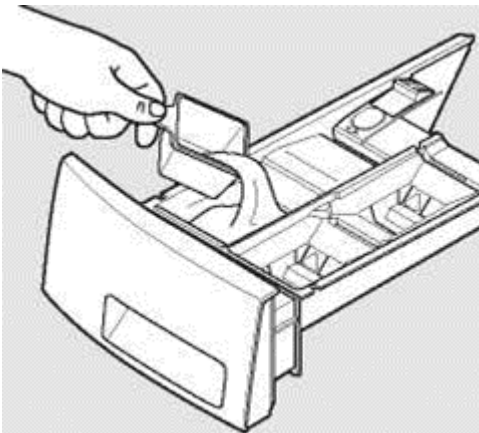


Slowly open the dispenser drawer by first sliding the safety latch to the right, then pulling the drawer out until it stops.

After adding laundry products, slowly close the dispenser drawer. Closing the drawer too quickly could result in early dispensing of the bleach and fabric softener.

You may see water in the bleach and fabric softener compartments. This is a result of the siphoning action and is part of the normal operation of the washer.

The Detergent Compartment



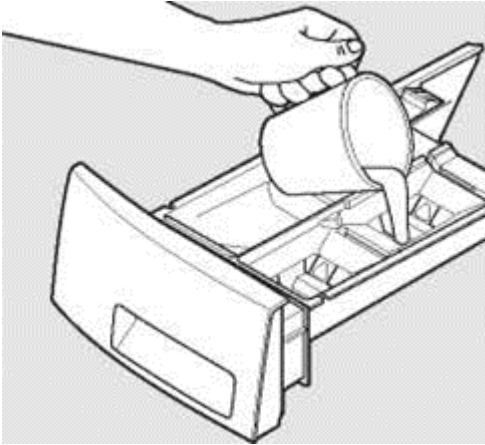
- Add measured detergent to the detergent compartment of the dispenser drawer.
- Detergent is flushed from the dispenser at the beginning of the cycle. Either powdered or liquid detergent can be used.

NOTE: *Liquid detergent will drain into the washer drum as it is added.*

- Low sudsing detergent is recommended for this washer. Use the manufacturer's recommended amount.
- Detergent usage may need to be adjusted for water temperature, water hardness, size and soil level of the load. Avoid using too much detergent in your washer as it can lead to oversudsing and detergent residue being left on the clothes.

- Color-safe bleach, water conditioner, detergent booster and enzyme products may be added to the detergent compartment. Avoid mixing liquids and powders.
- If the dispenser drawer is opened during operation, the washer will shut off. Slowly close the dispenser drawer, and press **START** to continue cycle.

The Liquid Bleach Compartment



If desired, measure out the recommended amount of liquid chlorine bleach, not to exceed 1/3 cup (80 ml) and pour into the center compartment labeled “LIQUID BLEACH” marked with this symbol

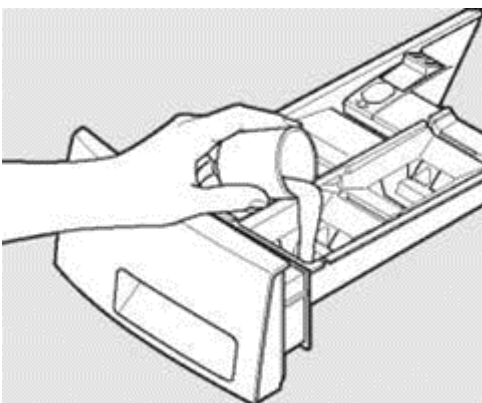


Fill to the minimum fill line (MIN.) for small loads.

Do not exceed the maximum fill line. Overfilling can cause early dispensing of the bleach which could result in damaged clothes.

NOTE: Do not use powdered bleach in the dispenser.

The Fabric Softener Compartment



If desired, pour the recommended amount of liquid fabric softener into the compartment labeled “FABRIC SOFTENER” and marked with this symbol .

Fill to the minimum fill line (MIN.) for small loads. Fill to the maximum fill line (MAX.) for large loads.

Dilute with water to the maximum fill line.

Do not exceed the maximum fill line. Overfilling can cause early dispensing of the fabric softener which could stain clothes.

NOTE: *Do not pour fabric softener directly on the wash load.*

Loading and using the washer.

Always follow fabric manufacturer's care label when laundering.



Sorting Wash Loads

Sort laundry into loads that can be washed together.

Colors	Soil	Fabric	Lint
Whites	Heavy	Delicates	Lint Producers
Lights	Normal	Easy Care	Lint Collectors
Darks	Light	Sturdy Cottons	

- *Combine large and small items in a load. Load large items first. Large items should not be more than half the total wash load.*
- *Do not wash single items. This may cause an out-of-balance load. Add one or two similar items.*



Loading the Washer

Wash drum may be fully loaded with loosely added items. **Do not wash fabrics containing flammable materials (waxes, cleaning fluids, etc.).**

To add items after washer has started, press the **PAUSE CANCEL** button and wait until there is no longer any water on the door window. Do not force open the locked door; open gently. Add items, close the door and press the **START** button.



Care and Cleaning

Exterior: Immediately wipe off any spills. Wipe with damp cloth. Try not to hit surface with sharp objects.

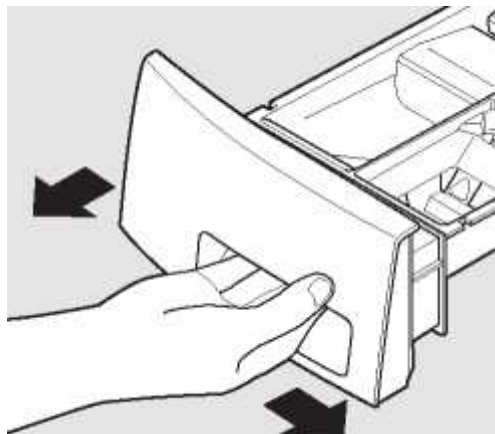
Interior: Dry around the washer door opening, flexible gasket and door glass. These areas should always be clean to ensure a water tight seal.

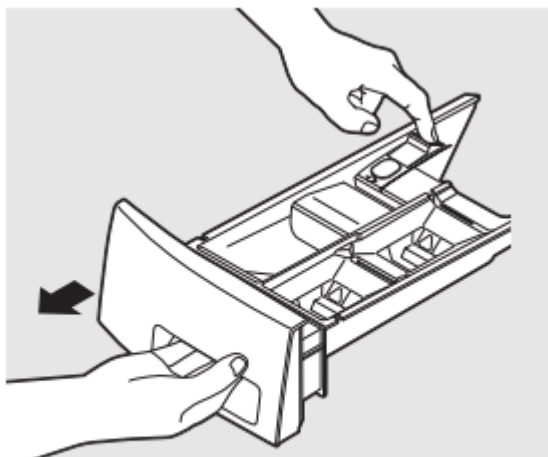
Moving and Storage: Ask the service technician to remove water from drain pump and hoses.

Do not store the washer where it will be exposed to the weather. When moving the washer, the tub should be kept stationary by using the brackets and bolts removed during installation. See Installation Instructions in this book. If these parts are not available, they can be ordered by visiting our Website at ge.com or by calling 800.GE.CARES.

Long Vacations: Be sure water supply is shut off at faucets. Drain all water from hoses if weather will be below freezing.

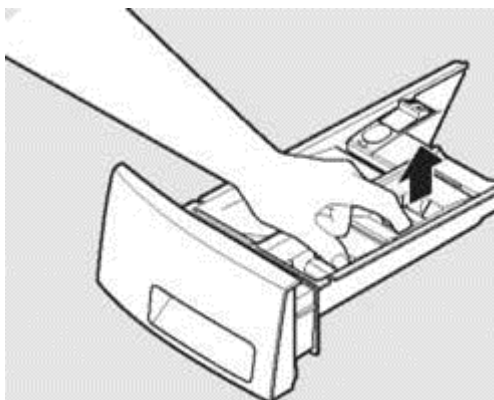
Dispenser Drawer Area: Detergent and fabric softener may build up in the dispenser drawer. Residue should be removed once or twice a month.



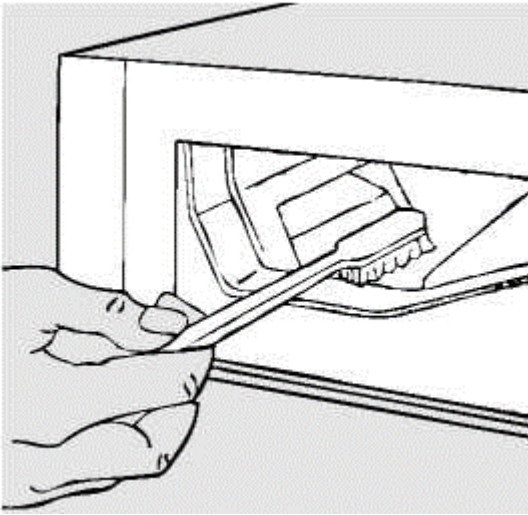


Lock tab is visible only after drawer has been pulled out

- Remove the drawer by first sliding the safety latch to the right, then pulling the drawer out until it stops. Reach back into the left rear corner of the drawer cavity and press down firmly on the lock tab, pulling out the drawer.



- Remove the inserts from the bleach and fabric softener compartments. Rinse the inserts and the drawer with hot water to remove traces of accumulated laundry products.



- To clean the drawer opening, use a small brush to clean the recess. Remove all residue from the upper and lower parts of the recess.

NOTE: Large amounts of fabric softener residue may indicate improper dilution or that more frequent cleaning is required.

- Return the bleach and fabric softener inserts to the proper compartments. Replace the insert, pressing the “X” to lock it in place. Replace the dispenser drawer and run the QUICK WASH cycle without any wash load in the drum.



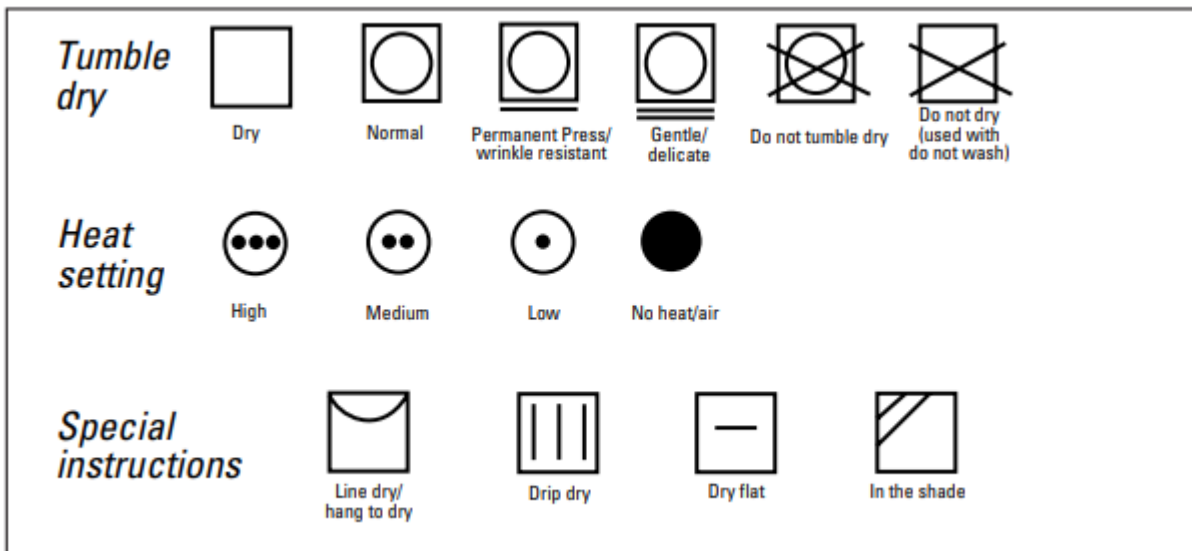
Fabric Care Labels

Below are fabric care label “symbols” that affect the clothing you will be laundering.

WASH LABELS

Machine wash cycle						
	Normal	Permanent Press/ wrinkle resistant	Gentle/ delicate	Hand wash	Do not wash	Do not wring
Water temperature						
	Hot (50°C/120°F)		Warm (40°C/105°F)		Cold/cool (30°C/85°F)	

DRY LABELS



BLEACH LABELS



Before you call for service...



Troubleshooting Tips

Save time and money! Review the charts on the following pages first and you may not need to call for service.

WATER	Possible Causes	What To Do
Water leaks	Fill hoses or drain hose is improperly connected	<ul style="list-style-type: none"> • Make sure hose connections are tight at washers and faucets and make sure end of drain hose is correctly inserted in and secured to drain facility.
	Household drain may be clogged	<ul style="list-style-type: none"> • Check household plumbing. You may need to call a plumber.
	Constant water pressure to the fill hoses at the water source	<ul style="list-style-type: none"> • Tighten hoses at the faucets and turn the water off after each use.
		<ul style="list-style-type: none"> • Check condition of the fill hoses; they should be replaced every 5 years.
	Oversudsing	<ul style="list-style-type: none"> • Use less detergent or low sudsing detergent.
Too many suds	Type of detergent	<ul style="list-style-type: none"> • Switch to a low-sudsing detergent and follow instructions on package.
	Very soft water	<ul style="list-style-type: none"> • Try less detergent.
Water won't drain	Drain hose is kinked or improperly connected	<ul style="list-style-type: none"> • Straighten drain hose and make sure washer is not sitting on it.
		<ul style="list-style-type: none"> • Top of drain outlet should be less than 8 ft. (2.5 m) above floor.
	Household drain may be clogged	<ul style="list-style-type: none"> • Check household plumbing. You may need to call a plumber.
Water temperature is incorrect	Control is not set properly	<ul style="list-style-type: none"> • Check water temperature control and adjust.
	Water supply is improperly connected	<ul style="list-style-type: none"> • Make sure hoses are connected to correct faucets.



	Water valve screens are stopped up	<ul style="list-style-type: none"> • Turn off the water source and remove the water connection hoses from the upper back of the washer. Use a brush or toothpick to clean the screens in the machine. Reconnect the hoses and turn the water back on.
	House water heater is not set properly	<ul style="list-style-type: none"> • Make sure house water heater is delivering water at 120°-140°F (48°-60°C).
<i>Water does not enter washer or enters slowly</i>	Water supply is turned off	<ul style="list-style-type: none"> • Turn on both hot and cold faucets fully.



OPERATION	Possible Causes	What To Do
Washer pauses in cycle	The washer normally pauses between washing steps	
Washer won't operate	Washer is unplugged	<ul style="list-style-type: none"> • Make sure cord is plugged securely into a working outlet.
	Water supply is turned off	<ul style="list-style-type: none"> • Turn both hot and cold faucets fully on.
	Circuit breaker/fuse is tripped/blown	<ul style="list-style-type: none"> • Check house circuit breakers/fuses. Replace fuses or reset breaker. Washer should have separate outlet.
	Controls are not set properly	<ul style="list-style-type: none"> • Check controls and make sure the START or DELAY START button has been pressed.
	Door is open	<ul style="list-style-type: none"> • Close door and press the START button.
	Dispenser drawer is open	<ul style="list-style-type: none"> • Close drawer.
	Motor is overheated	<ul style="list-style-type: none"> • Washer motor will stop if it becomes overheated. It will automatically restart after a cool down period of up to 30 minutes (if washer has not been manually turned off).
Washer won't spin	Washer door open	<ul style="list-style-type: none"> • Make sure door is closed.
	Dispenser drawer open	<ul style="list-style-type: none"> • Close drawer.
	Load is too small	<ul style="list-style-type: none"> • Add one or two similar items to help balance the load.



NOISE	Possible Causes	What To Do
Washer is noisy	Washer is uneven	<ul style="list-style-type: none"> • Make sure washer is level and rests firmly on the floor.
	Washer load is unbalanced	<ul style="list-style-type: none"> • Press the PAUSE button to stop the washer, open the door and redistribute the load evenly. Close the door and restart.
	High pitch jet engine sound	<ul style="list-style-type: none"> • This is normal during the spin cycle.
	Squealing sound or hot rubber odor	<ul style="list-style-type: none"> • Washer is overloaded. Stop washer and reduce load.
	Shipping bolts and foam block have not been removed	<ul style="list-style-type: none"> • See Installation Instructions for directions to remove shipping bolts and foam block.
	Rattling and clanking caused by foreign objects in tub or pump or metal fasteners hitting tub	<ul style="list-style-type: none"> • Check drum for foreign objects. Turn items with metal fasteners inside out. Call authorized service to inspect pump.



PERFORMANCE	Possible Causes	What To Do
Lint or residue on clothes	Incorrect sorting	<ul style="list-style-type: none"> • Separate lint producers from lint collectors.
	Washing too long	<ul style="list-style-type: none"> • Excess wash time may create lint.
	Detergent not dissolving	<ul style="list-style-type: none"> • Try a liquid detergent. • Use warmer water temperature.
	Overloading	<ul style="list-style-type: none"> • Wash drum may be fully loaded with loosely added items.
	Incorrect use of fabric softener	<ul style="list-style-type: none"> • Check fabric softener package for instructions and follow directions for using dispenser.



PERFORMANCE (cont.)	Possible Causes -- What To Do
<i>Clothes too wet</i>	<p>Load is too small</p> <ul style="list-style-type: none"> • Add one to two similar items. Load is out of balance • Redistribute load.
<i>Pilling</i>	<p>Result of normal wear on poly-cotton blends and fuzzy fabrics</p> <ul style="list-style-type: none"> • While this is not caused by the washer, you can slow the pilling process by washing garments inside out.
<i>Grayed or yellowed clothes</i>	<p>Not enough detergent</p> <ul style="list-style-type: none"> • Use correct amount of detergent. <p>Hard water</p> <ul style="list-style-type: none"> • Use hottest water safe for fabric. • Use a water conditioner like Calgon brand or install a water softener. <p>Water is not hot enough</p> <ul style="list-style-type: none"> • Make sure water heater is delivering water at 120°-140°F (48°-60°C). <p>Detergent is not</p> <ul style="list-style-type: none"> • Try a liquid detergent. dissolving <p>Dye transfer</p> <ul style="list-style-type: none"> • Sort clothes by color. If fabric label states <i>wash separately</i>, unstable dyes may be indicated.
<i>Colored spots</i>	<p>Incorrect use of fabric</p> <ul style="list-style-type: none"> • Check fabric softener package for instructions and follow softener directions for using dispenser. <p>Dye transfer</p> <ul style="list-style-type: none"> • Sort whites or lightly colored items from dark colors. • Promptly remove wash load from washer.



<p>Wrinkling</p>	<p>Improper sorting</p> <ul style="list-style-type: none"> • Avoid mixing heavy items (like work clothes) with light items (like blouses). <p>Overloading</p> <ul style="list-style-type: none"> • Load your washer so clothes have enough room to move freely. <p>Incorrect wash cycle</p> <ul style="list-style-type: none"> • Match Cycle selection to the type of fabric you are washing (especially for easy care loads). <p>Repeated washing in</p> <ul style="list-style-type: none"> • Wash in warm or cold water. water that is too hot
<p>Snags, holes, tears, rips or excessive wear</p>	<p>Pins, snaps, hooks, sharp</p> <ul style="list-style-type: none"> • Fasten snaps, hooks, buttons and zippers. buttons, belt buckles, • Remove loose items like pins, objects in pockets <p>zippers, and sharp objects and sharp buttons. left in pockets</p> <ul style="list-style-type: none"> • Turn knits (which snag easily) inside out. <p>Undiluted chlorine bleach</p> <ul style="list-style-type: none"> • Never add undiluted bleach to wash or allow clothes to come in contact with undiluted bleach. Follow directions for use of bleach dispenser. <p>Chemicals like hair bleach</p> <ul style="list-style-type: none"> • Rinse items that may have chemicals on them before or dye, permanent wave washing. solution

Error Codes

If the washer stops, an error code flashes and the signal beeps periodically, press PAUSE/ CANCEL. Consult the Error Code Chart below for the possible cause and solution. If Control Lock is on when an Error Code occurs, the controls will unlock. Make the correction, select a cycle and press START. If the error code flashes again and the beeping continues, please contact service for assistance.

No. of Beeps, Error	Possible Causes	What To Do
1, Water doesn't enter	Water supply to the home is interrupted	<ul style="list-style-type: none"> • Check to see if water flows adequately from other faucets in the home; wait for service to be restored.
	Water pressure is too low	<ul style="list-style-type: none"> • Avoid running water in other areas of the home when doing laundry.
	Water may not be turned on or faucet may not be fully opened	<ul style="list-style-type: none"> • Fully open supply faucets to washer.
	Hoses are kinked or drain pipe is below minimum height of 24"	<ul style="list-style-type: none"> • Straighten hoses. Raise height of bend in drain hose to a minimum of 24".
1, Water leaks	Hose connections are loose	<ul style="list-style-type: none"> • Tighten inlet hose connections at faucets and washer.
	Household drain is clogged	<ul style="list-style-type: none"> • Unclog household drain.
	Oversudsing	<ul style="list-style-type: none"> • Use high efficiency detergent in the amount recommended on the label.
2, Water doesn't drain	Drain hose is kinked or household drain is clogged	<ul style="list-style-type: none"> • Straighten hose and unclog household drain.
3, Drum overfilled	Inlet valve, pressure switch or control board failure	<ul style="list-style-type: none"> • Do not open door. Select Drain/Spin to remove water; restart the cycle.
4, Door is open	Washer will not operate if the door is open	<ul style="list-style-type: none"> • Close the washer door.
5, Motor is overheated	Washer motor stops if overheated	<ul style="list-style-type: none"> • Wait 30 minutes for motor to cool down.



7, Cold water doesn't enter washer	Cold water hose is connected to wrong faucet	<ul style="list-style-type: none"> • Connect the hose to the cold water faucet and cold water inlet on the washer.
	Cold water faucet is not turned on	<ul style="list-style-type: none"> • Be sure cold water faucet is fully opened.
15, Oversudsing	A high efficiency detergent was not used	<ul style="list-style-type: none"> • Use only a high efficiency detergent. Follow manufacturer's recommendation for dosage.
	Too much detergent was added	<ul style="list-style-type: none"> • The amount may need to be adjusted for water temperature, water hardness, load size and soil level.
15, Hot water doesn't enter	Hot water hose is connected to the wrong faucet	<ul style="list-style-type: none"> • Connect the hot water hose to the hot water faucet and the hot water inlet on the washer.
	Hot water faucet is not turned on	<ul style="list-style-type: none"> • Be sure the hot water faucet is fully opened.

Warning

This content is compiled from multiple sources and is provided for reference purposes only. It may not be complete or fully applicable to all situations. If you are unable to resolve your issue, please contact the product manufacturer or an authorized service provider for official support.

