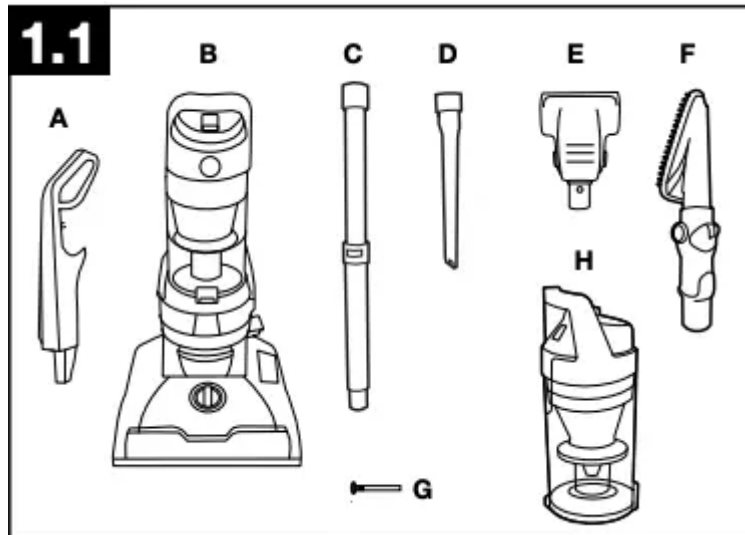


## Vacuum ASSEMBLY

### Carton contents



A. Handle\*

B. Vacuum Base

C. Wand

D. Crevice Tool

E. Turbo Tool

F. Adjustable Dusting Brush\*

G. (1) Large Screw

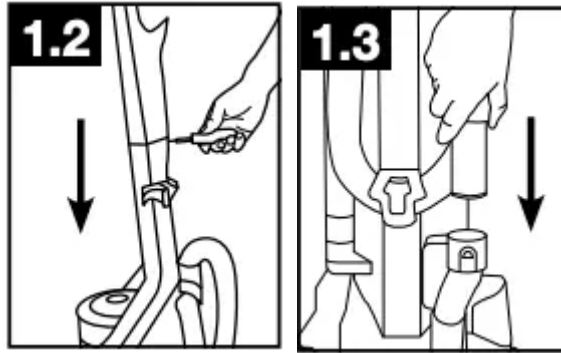
H. Dirt Cup

\*Varies per model.

Remove all parts from carton and identify each item shown.

Make sure all parts are located before disposing of packing materials.

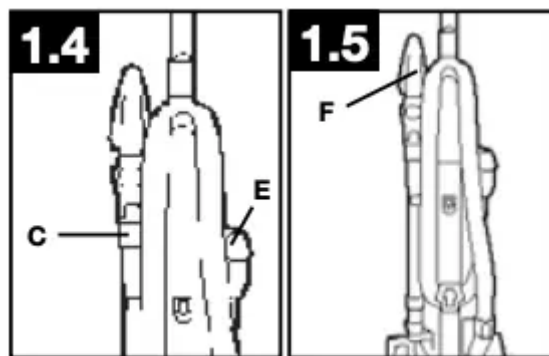
## Attach handle



1.2 Insert handle section into vacuum base. Push down firmly. Using a Phillips screwdriver, fasten (1) large screw behind handle into vacuum base.

1.3 Wrap hose around top of hose guide located on the handle. Insert the hose into hose tube until you hear a click.

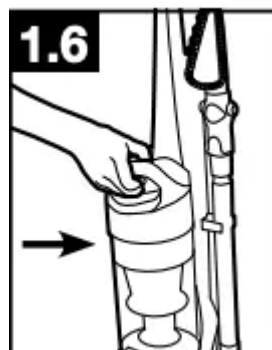
## Position Tools



1.4 Place Crevice Tool into Wand and slide into tool storage area on left back side (C) of vacuum and place Turbo Tool on right back side (E) of vacuum as shown.

1.5 Place adjustable dusting brush (F) on top of wand.

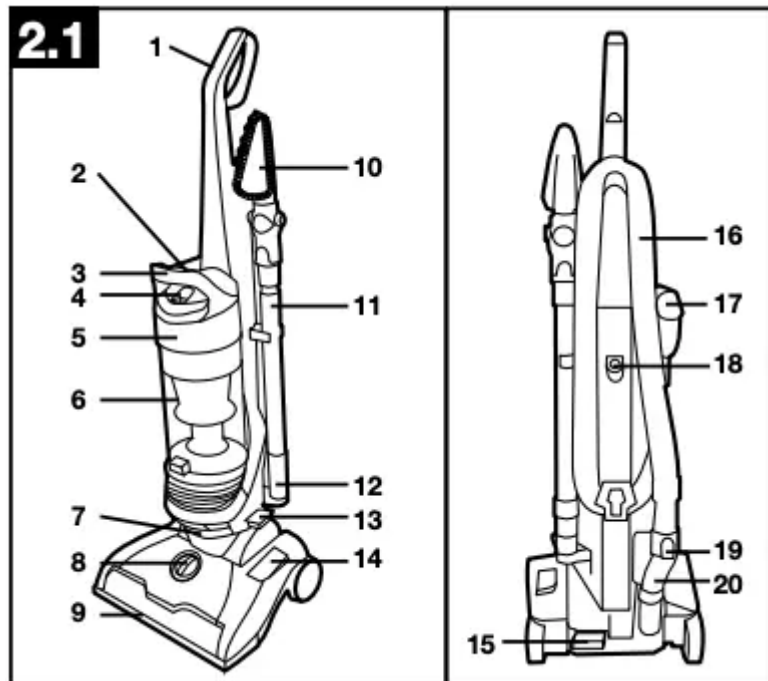
## Attach dirt cup



1.6 Place bottom of dirt cup into vacuum body first. Pivot cup into vacuum. Dirt cup is secure when you hear a click.

# HOW TO USE

## Vacuum Description



1. Handle
2. Dirt Cup Release Button
3. Carry Handle
4. System Check Indicator
5. Rinsable Filter Access
6. Dirt Cup
7. Filter made with HEPA media
8. Height Adjustment
9. Furniture Guard
10. Adjustable Dusting Brush
11. Wand
12. Crevice Tool (inside wand)
13. Cord Rewind Pedal
14. Brushroll ON/OFF Pedal
15. Handle Release Pedal
16. Hose

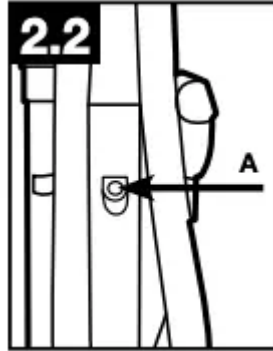
17. Turbo Tool

18. ON/OFF Switch

19. Hose Release Button

20. Hose Connecting Tube

## ON-OFF Switch

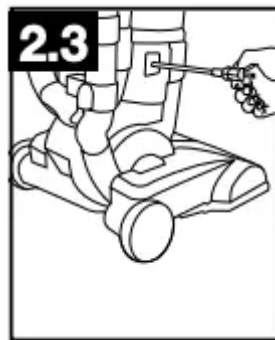


2.2 Plug cord into electrical outlet.

To turn vacuum ON (I=ON), push ON/OFF switch (A) to ON position.

To turn vacuum OFF (O=OFF), push switch to OFF position.

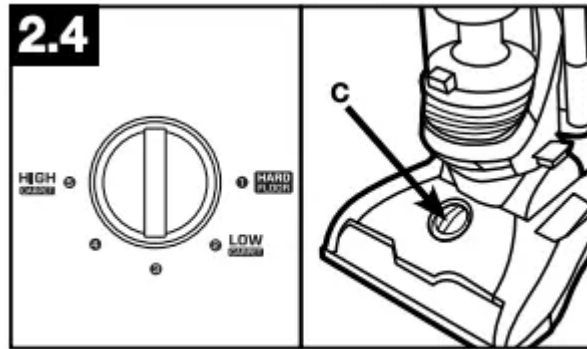
## Cord Release



- 2.3 Prior to using, grasp the end of the plug and pull to release the cord from the cord reel until red tape is reached.

**IMPORTANT :** When pulling on the cord, yellow tape will identify when the cord is almost fully extended. When red tape is visible on the cord, the cord has reached its full length. (Do not pull the cord past the red tape.)

## CARPET HEIGHT ADJUSTMENT\*



\*Number of height settings vary per model.

- 2.4 To adjust height setting, PUSH DOWN and TURN knob (C) to desired height setting.

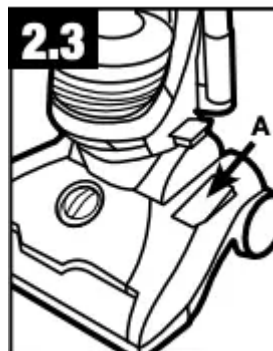
For maximum cleaning performance, the following carpet height settings are recommended:

- Hard floor setting: for use on hard floors only.
- Low through High settings: Adjust depending on carpet type.
- For high pile carpet, use high carpet setting to ease pushing effort.

**IMPORTANT** : If the vacuum is difficult to push, push down and turn knob to the next higher setting.

## SUCTION ONLY MODE/ Brushroll shut-off



*for bare floors and very high pile carpet*





- 2.3 For optimal cleaning performance on bare floors and carpet with pile deeper than 1", brushroll should be turned off.

The vacuum is shipped with the brushroll in the ON position. To turn brushroll OFF for Suction Only Mode, step on pedal (A).

**IMPORTANT** Pedal (A) is inactive when the cleaner is in the upright position.

**CAUTION**   Brushroll should be in off position for cleaning of high pile carpet deeper than 1".

 **CAUTION**  Not to be used for grooming a pet.

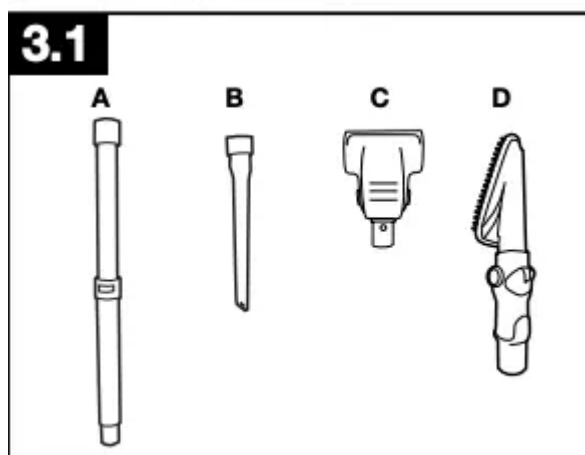
## TOOL

Tools allow for cleaning surfaces above the floor and for reaching hard to clean areas.

The vacuum is ready for tool use when handle is in upright position.

**IMPORTANT** Brushroll continues to turn while product is turned on and handle is in upright position. To avoid damage to carpet, rugs, furniture and flooring, avoid tipping cleaner or setting it on furniture, fringed area rugs, or carpeted stairs during tool use.

### Select Proper Tool



A. Wand is used to give extra length to your hose. Use it with any of the above tools.

B. Crevice Tool may be used in tight spaces, corners and along edges in such places as dresser drawers, upholstered furniture, stairs and baseboards.

C. Turbo Tool may be used for upholstered furniture, draperies, mattresses, clothing, and carpeted stairs.

D. Use Adjustable Dusting Brush to clean upholstered furniture, draperies, mattresses, clothing, carpeted stairs, light fixtures, and fans with 5 cleaning positions.

## Removing Hose



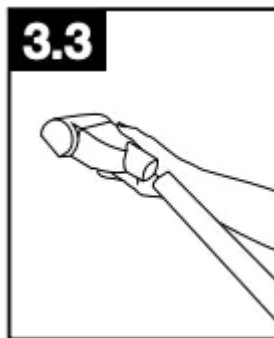
- 3.2 To remove hose for tool use, press the hose release button and pull hose end out.

To lock back into place, push hose into hose tube until you hear a click.

**! CAUTION !** Not to be used for grooming a pet.

## Attach Wand and Tools

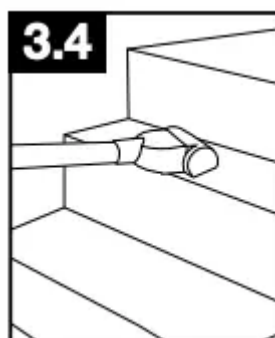
**! CAUTION !** To reduce the risk of injury from moving parts - Unplug before servicing.



- 3.3 To attach tool or wand to hose, push firmly into place.

## Stair Cleaning

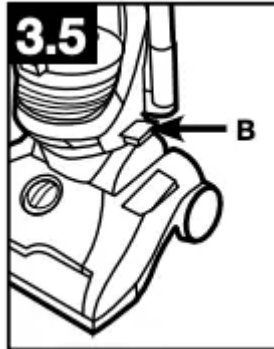
- 3.4 Use the Hose and Turbo Tool (Tool varies per model) for stair cleaning.



**! CAUTION !** Use extra care when cleaning on stairs. To avoid personal injury or damage, and to prevent the cleaner from falling, always place cleaner at bottom of stairs on floor. Do not place cleaner on stairs or furniture, as it may result in injury or damage. When using tools, always ensure handle is in the upright position.

## CORD REWIND AND STORAGE

- 3.5 To return cord for storage, hold plug and press down Cord Release Pedal (B) on side of cord reel.



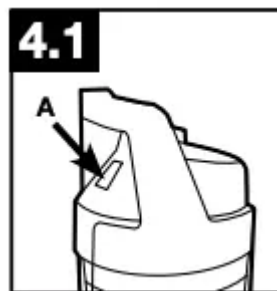
**! WARNING !** Hold plug when rewinding onto cord reel. Do not allow plug to whip when rewinding.

## How to Clean Tools

To clean Hose and Turbo Tool, wipe with a damp cloth. DO NOT submerge in water. Other cleaning tools may be washed in warm water with a detergent. Rinse and air dry 24 hours before using

## MAINTENANCE

Familiarize yourself with these home maintenance tasks as proper use and care of your vacuum will ensure continued cleaning effectiveness.



4.1 The System Check Indicator located at (A), alerts you to possible system performance issues.

**If System Check Indicator is red:**

**POSSIBLE CAUSE:**

1. Rinsable filter and/or filter made with HEPA media is dirty
  - Clean rinsable filter and/or filter made with HEPA media - reference pg. 9 and 10
2. Dirt cup is full and/or clogged.
  - Empty dirt cup - reference pg. 9
3. Cyclone filter assembly is clogged
  - Clean cyclone filter assembly per pg. 10.

Any other servicing should be done by an authorized service representative. If appliance is not working as it should, has been dropped, damaged, left outdoors, or dropped into water, take it to a service center prior to continuing use.



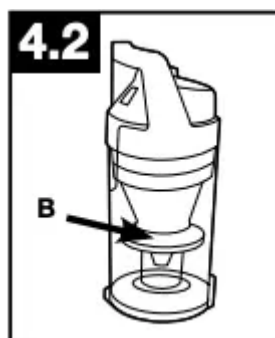
A Thermal Protector has been designed into your cleaner to protect it from overheating. When the thermal protector activates the cleaner will stop running. If this happens proceed as follows:

1. Turn cleaner OFF and unplug it from the electrical outlet.
2. Empty dirt cup.
3. Inspect the nozzle inlet, hose connector, hose, dirt cup inlet, cyclonic filter, rinsable filter, and HEPA filter. Clear obstructions if present.
4. When cleaner is unplugged and motor cools for 30 minutes, the thermal protector will deactivate and cleaning may continue.

If the thermal protector continues to activate after following the above steps, your cleaner needs servicing.

**Dirt Cup: When to Empty**

- 4.2 To maintain optimal performance, empty the dirt cup before the dirt cup reaches the max line (B). Place the vacuum in the upright position before removing the dirt cup.



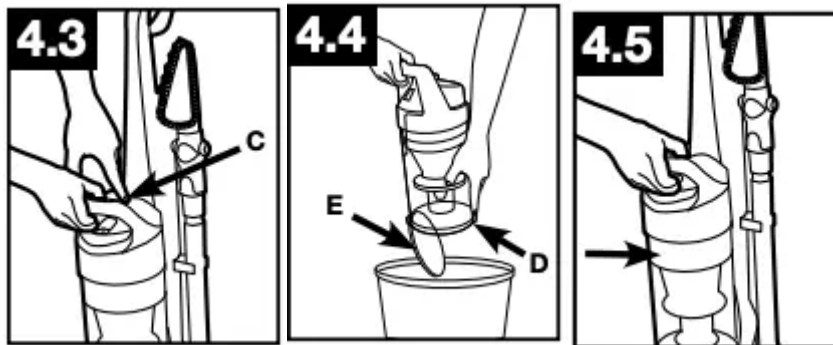


**WARNING**



To reduce the risk of personal injury - Unplug before cleaning or servicing. Do not use vacuum without dirt cup or filters in place. Very fine materials, such as face powder or cornstarch, may seal the filter and cause a reduction in performance. When using the vacuum for this type of dust, empty the cup and clean the filters often.

### How to Empty



- 4.3 Press dirt cup release button (C) and pivot cup out.
- 4.4 Hold dirt cup over trash receptacle, push dirt cup door release lever (D) to open dirt cup door (E). Close dirt cup door (E). Press firmly to secure.
- 4.5 Place bottom of dirt cup into vacuum body first. Pivot dirt cup into vacuum body and press firmly until it locks into place.

### Filters: When to Clean

To maintain optimal performance, filters should be cleaned at least every two months under normal use.



**WARNING**

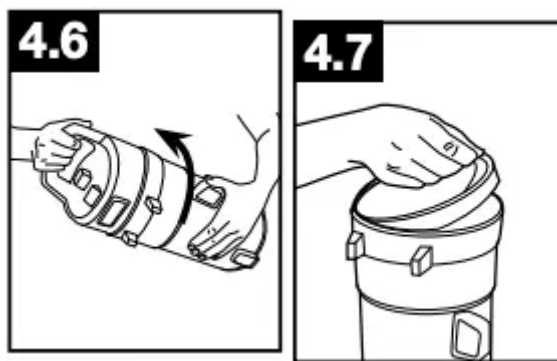


To reduce the risk of personal injury - Unplug before cleaning or servicing. Do not use vacuum without dirt cup or filters in place

### Rinsable Filter: How to Clean

Remove dirt cup as described in Fig. 4.3.

- 4.6 Twist the dirt cup handle counterclockwise to open and remove lid.



- 4.7 Pull tab to remove rinsable filter. Rinse with water for two minutes or until water runs clear. Then squeeze out excess water. Allow 24 hours for filter to dry completely. Replace filter, tab side out.
- 4.8 Replace dirt cup lid and twist clockwise until locked in position. Replace dirt cup as described in Fig 4.5.

**IMPORTANT** Allow filter to dry completely before replacing. Dry filter on edge so air circulates on both sides of filter. This may take up to 24 hours.

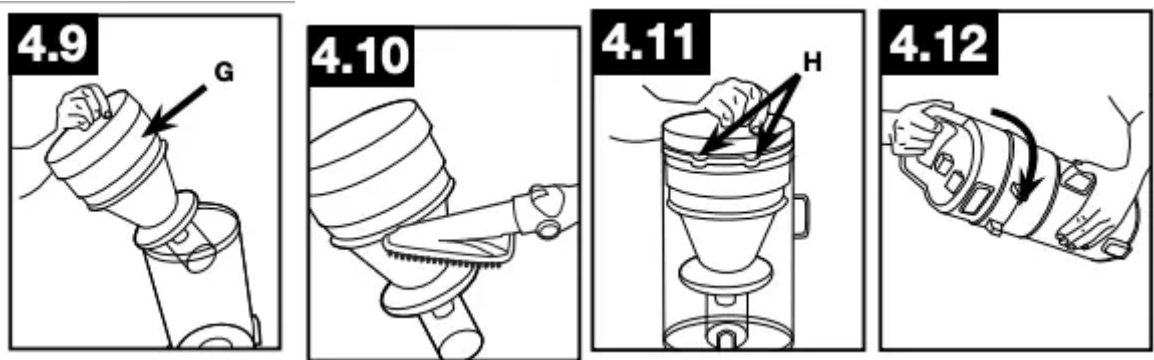


What to Buy: Rinsable Filter : When used and maintained properly, your Rinsable Filter should not need replacement within the warranty period. If desired, additional filter is available at Hoover.com or call 1-800-944-9200. Ask for Hoover® Part No. 304087001.

### Cyclonic Filter Assembly: How to Clean



To reduce the risk of personal injury - Unplug before cleaning or servicing. Do not use vacuum without dirt cup or filters in place. Do not use vacuum without dirt cup or filters in place.



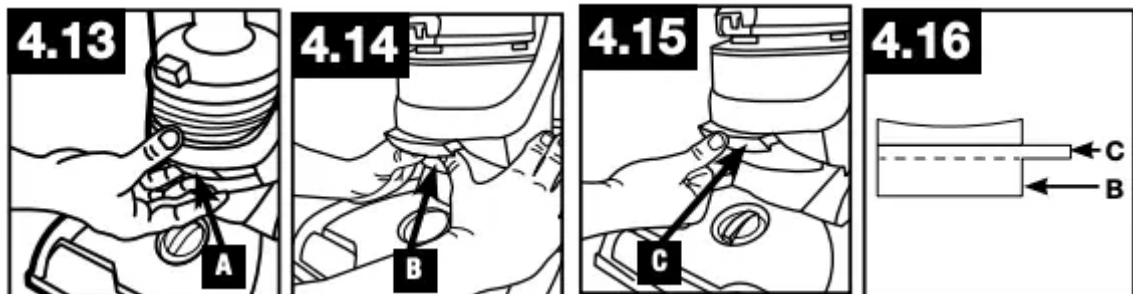
Remove dirt cup and twist the dirt cup handle counterclockwise to open and remove lid as described in 4.6.

- 4.9 Pull filter assembly (G) out of dirt cup and remove.
- 4.10 Dirt and debris can be cleaned from the filter assembly with the adjustable dusting brush.
- 4.11 Place the filter assembly on the dirt cup. Line up tabs (H) on lid with dirt cup body.
- 4.12 Replace dirt cup lid and twist clockwise until locked in position. Replace dirt cup as described in Fig 4.5.

### Filter Made With HEPA Media: How to Clean

- 4.13 With fingers under filter door lip, pull filter frame (A) out and away from vacuum body. Hold filter over a trash receptacle and tap out dirt and debris.
- 4.14 Bottom filter (B) must be pushed back into place first.
- 4.15 Then push the upper handle in (C) until it clicks.
- 4.16 Filter diagram: (B) bottom filter. (C) upper handle.

**⚠ WARNING ⚠** To reduce the risk of personal injury - Unplug before cleaning or servicing.  
Do not use vacuum without dirt cup or filters in place.



**IMPORTANT DO NOT RINSE OR WASH THE FILTER MADE WITH HEPA MEDIA.**

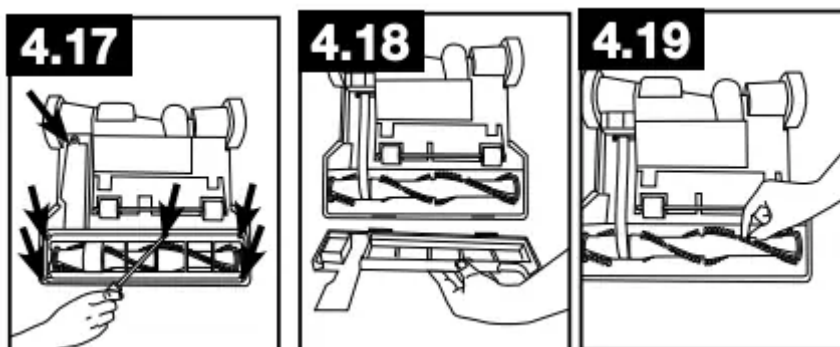
## Filter Made With HEPA Media

When used and maintained properly, your Filter should not need replacement within the warranty period. If desired, additional filter is available at Hoover.com or call 1-800-944-9200. Ask for Hoover® Part No. 440005573.

## BRUSHROLL: How to Clean

**⚠ CAUTION ⚠** To reduce the risk of injury from moving parts - Unplug before servicing.

### Brushroll - Bottom plate with screws



Place handle in the low position and turn the cleaner over so the bottom side is up.

- 4.17 Remove the 6 screws as shown with a Phillips screwdriver.
- 4.18 Pivot off bottom plate.
- 4.19 Remove any debris and/or hair from brushroll. Replace the bottom plate aligning the screw holes and install the 6 screws as shown.

## BELT

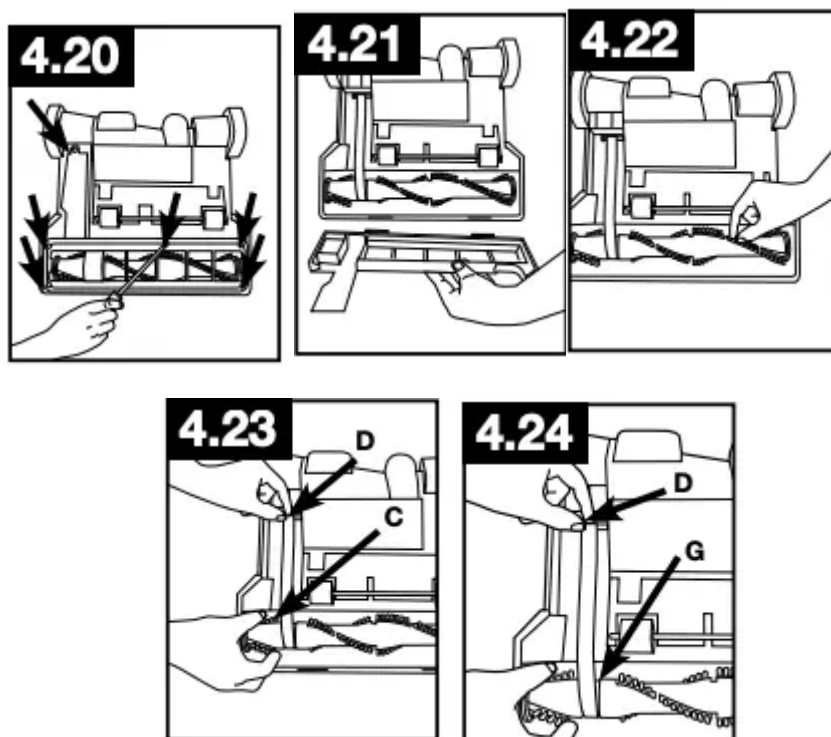
**⚠ CAUTION ⚠** To reduce the risk of injury from moving parts - Unplug before servicing.

The belt is located under the bottom plate of the vacuum and should be checked from time to time to be sure it is in good condition.

### When To Replace

Replace belt if it is damaged, cut or broken. Refer to directions below

### How To Replace - Bottom plate with screws



Place handle in the low position and turn the cleaner over so the bottom side is up

- 4.20 Remove the 6 screws as shown with a Phillips screwdriver.
- 4.21 Lift off bottom plate (A).
- 4.22 Remove used belt from brushroll (C) then from motor shaft (metal rod) (D) and discard.
- 4.23 With lettering on outside of belt, slide new belt over motor shaft (metal rod) (E). Then slip around area of brushroll without bristles (G).
- 4.24 With belt in place, pull and slide brushroll into nozzle making sure that the brushroll end caps are in the correct orientation. Place the bottom plate aligning the screw holes and re-install the 6 screws.

### What to Buy: Belt

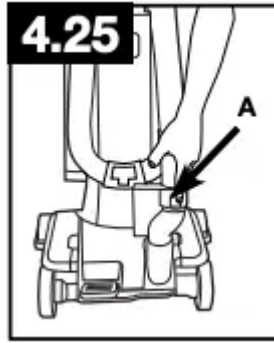
If desired, additional belts can be purchased at Hoover.com or 1-800-944-9200. When purchasing a new belt for models ask for Belt - HOOVER® part No. 562289001.

### HOSE

**! WARNING !** To reduce the risk of personal injury - Unplug before cleaning or servicing.

### How to Clean

4.25 To remove hose for tool use, press the hose release button (A) and pull hose end out. Clear away debris or obstructions from hose. Do not use sharp objects to clean out hose as they can cause damage. To lock back into place, push hose into hose tube until you hear a click.



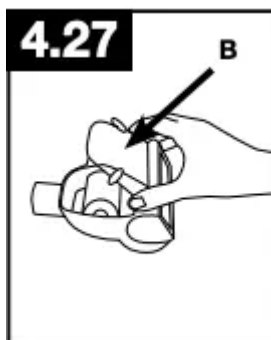
## TURBO Tool

To reduce the risk of injury from moving parts - Unplug before servicing.

**⚠ CAUTION ⚠** To reduce the risk of injury from moving parts - Unplug before servicing.

### How to Clean

- 4.26 Turn tool so bottom faces up. Rotate the latches (A) on either side of tool.
- 4.27 Remove bottom plate (B).
- 4.28 Remove any debris and/ or hair from brushroll. Replace bottom plate by aligning tabs along front edge of tool. Rotate latches back into locked position.





**⚠ CAUTION ⚠** Not to be used for grooming a pet.

## Lubrication

The motor and brushroll are equipped with bearings which contain sufficient lubrication for their lifetime. The addition of lubricant could cause damage. Do not add lubricant to motor or brushroll.

## TROUBLESHOOTING

If a minor problem occurs, it usually can be solved quite easily when the cause is found by using the checklist below. Any other servicing should be done by an authorized service representative. If appliance is not working as it should, has been dropped, damaged, left outdoors, or dropped into water, take it to a service center prior to continuing use.

 **WARNING**  To reduce risk of personal injury - Unplug before cleaning or servicing

### **Vacuum won't run**

1. Power cord not firmly plugged into outlet.
  - 1. Plug unit in firmly.
2. Blown fuse or tripped breaker.
  - 2. Check fuse or breaker in home. Replace fuse/reset breaker in home.
3. Thermal Protector activated.
  - 3. Unplug and allow vacuum to cool for 30min. (This will reset the thermal protector)

### **System Check Indicator has turned red or Vacuum won't pick up or Low suction**

1. Rinsable Filter and/ or Filter made with HEPA media is dirty.
  - 1. Clean Rinsable Filter and or Filter made with HEPA media - Pg. 9 and 10.
2. Dirt cup full and/ or clogged.
  - 2. Empty dirt cup - Pg. 9.
3. Broken or worn belt.
  - 3. Replace belt - Pg.12.
4. Brushroll and/ or Hose clogged.
  - 4. Check Hose - Pg. 13. Check Brushroll - Pg. 11.
5. Carpet height setting is incorrect.
  - 5. Set Carpet Height Adjustment to appropriate setting for carpet being cleaned - Pg.6.

### **Cord Rewind does not work**

1. Cord reel does not retract.
  - 1. Call 1-800-944-9200 for the nearest authorized service representative

### **Dust escaping from vacuum**

1. Dirt cup full.
  - 1. Empty dirt cup - Pg. 9.
2. Dirt cup not installed correctly.
  - 2. Review Dirt Cup removal & replacement - Pg. 9.
3. Hose not installed correctly.
  - 3. Review Hose installation - Pg. 7.

4. Rinsable and/ or Filter made with HEPA media not installed completely.

- 4. Review Filter Removal and Cleaning - Pg. 9 and 10.

#### **Vacuum is difficult to push or won't move forward**

1. Carpet height setting is incorrect.

- 1. Set Carpet Height Adjustment knob to appropriate setting for carpet being cleaned - Pg. 6.

#### **Turbo Tool brushroll won't turn**

1. Too much pressure being applied to tool.

- 1. Continue using tool applying light pressure.

2. Blockage.

- 2. Remove blockage - Pg. 11

3. Low vacuum suction.

- 3. Check items under "Vacuum won't pick or Low suction."

#### **Smoky/burning smell detected**

1. Belt broken or stretched.

- 1. Replace brushroll belt - Pg. 12.

2. Brushroll is clogged.

- 2. Clear/ remove debris from brushroll - Pg. 11.

## **Service**

To obtain approved Hoover® service and genuine Hoover® parts, locate the nearest Authorized Hoover® Warranty Service Dealer Depot) by:

- Checking the Yellow Pages under "Vacuum Cleaners" or "Household".
- Visit our website at [hoover.com](http://hoover.com) (U.S. Customers) or [hoover.ca](http://hoover.ca) (Canadian customers).

Follow the service center link to find the service outlet nearest you.

- For an automated referral of authorized service outlet locations call 1-800-944-9200.

Do not send your vacuum to Hoover®, Inc., Company in Glenwillow for service. This will only result in delay.

If you need further assistance:

To speak with a customer service representative call 1-800-944-9200; Mon-Fri 8am-7pm EST. Always identify your vacuum by the complete model number when requesting information or ordering parts. (The model number appears on the bottom of the vacuum.)

PLEASE DO NOT RETURN THIS PRODUCT TO THE STORE.

**Warning**

This content is compiled from multiple sources and is provided for reference purposes only. It may not be complete or fully applicable to all situations. If you are unable to resolve your issue, please contact the product manufacturer or an authorized service provider for official support.

---

Document generated by [ManualsFile](#)

