

## IMPORTANT SAFETY INSTRUCTIONS

### **WARNING To reduce the risk of burns, fire or injury to persons:**

- Close supervision is necessary when this appliance is used by, on, or near children or invalids.
- Use this appliance for its intended household use as described in this manual. Do not use attachments not recommended by Philips North America LLC.
- Never operate this appliance if it is not working properly, or if it has been dropped or damaged. For assistance call 1-800-243-
- Do not use outdoors or operate where aerosol (spray) products are being used or where oxygen is being administered.
- Never put the appliance in direct sunlight. Always use and store the appliance at a temperature between 40°F (4,5°C) and 100°F (38°C).
- Always check trimming head and guard(s) before using. Do not use the appliance if the trimming head or guard(s) are damaged, as injury may occur.
- If appliance will not be used on a regular basis, remove the battery to prevent possible damage due to chemical leakage. If battery does leak, remove it carefully. Do not allow bare skin to touch leaking fluid.
- The battery used in this device may present a fire or chemical burn hazard if mistreated. Do not disassemble, heat above 100°C F) or incinerate.

### **CAUTION**

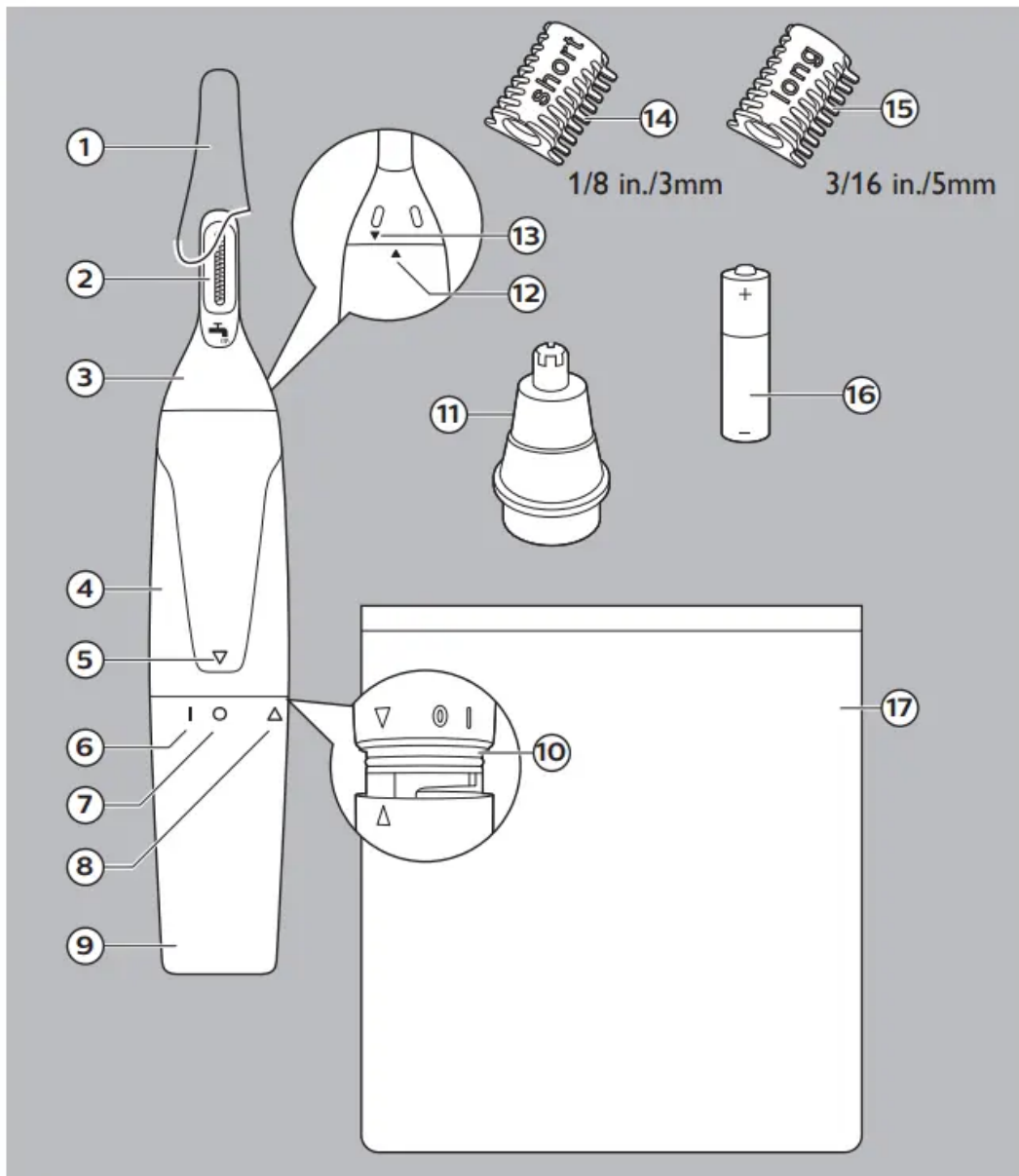
- If the appliance and accessories are subjected to a major change in temperature, pressure or humidity, let it acclimatize for 30 minutes before using.
- For hygienic reasons, it is recommended that the trimmer be used by only one person.
- This appliance is only intended for trimming nose, ear, neck or eyebrow hair.
- Do not insert the trimmer tip more than in/5mm into the nostril or outer ear when trimming nose and ear hairs.
- Be careful to always keep trimmer away from eyes and eyelashes.
- Do not use while bathing, showering or immerse trimmer in water or other liquids as damage to the trimmer may occur.
- Keep the trimmer handle away from water.
- Never use compressed air, scouring pads, abrasive cleaning agents or aggressive liquids such as gasoline or acetone to clean the appliance.

- Do not apply pressure or touch trimmer with hard objects as this may dent or damage trimmer.
- Turn trimmer off before putting on or taking off attachments or cleaning. w Make sure your hands and trimmer are dry when inserting the battery.
- For best performance, use a non-rechargeable V AA Lithium battery. However, any nonrechargeable 1.5V AA battery may be used as a replacement.

## **GENERAL**

- Use this appliance for its intended household use as described in this manual.
- Test trimmer on a small area of your arm or leg.
- If any sensitivity occurs, discontinue use. Do not use trimmer on sensitive areas or irritated skin.
- Be certain your skin is clean. If you have sensitive skin, you may wish to apply talcum powder before and/or after use. Do not use deodorant or alcohol-based lotions immediately before or after using.
- It is not necessary to press hard to get a close result. Pressing too hard may cause skin irritation, and the trimmer will not function properly.
- For optimum trimming of outer ear hair, pull skin taut with one hand while using.
- Clean the trimmer after each use.

# FEATURES

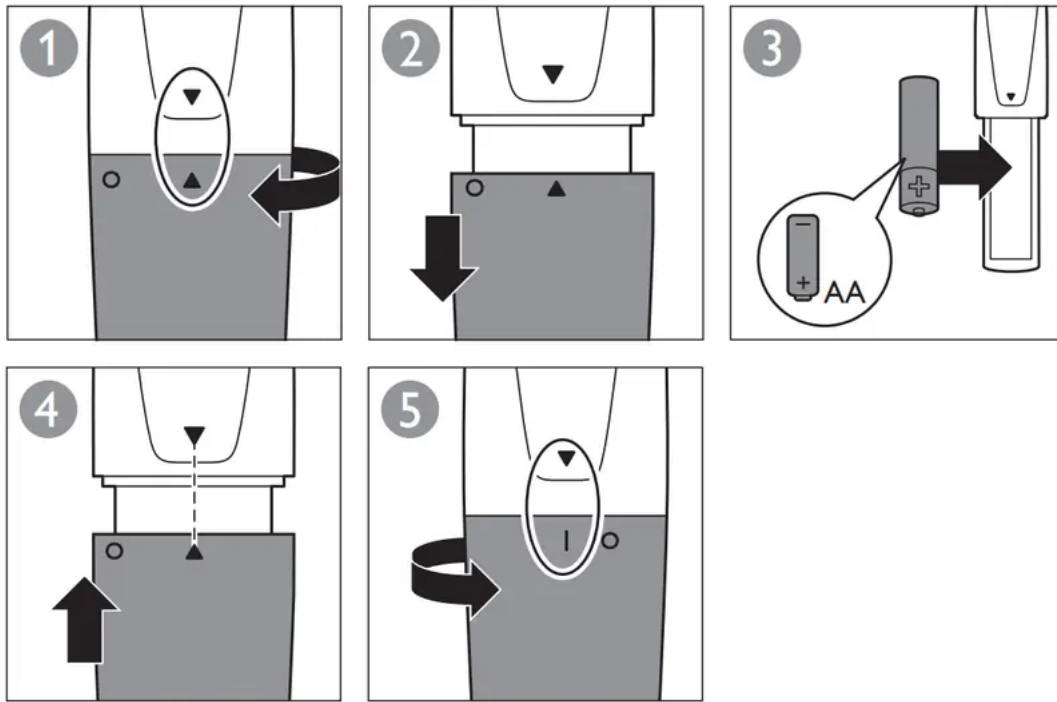


- 1 Travel Cap (NT3000)
- 2 Cutting Element
- 3 Precision Trimmer Head
- 4 Handle
- 5 Setting Indicator
- 6 'On' Indicator
- 7 'Off' Indicator
- 8 'Open' Indicator
- 9 Battery Compartment Cover
- 10 Sealing Ring
- 11 Nose/Ear Hair Trimmer

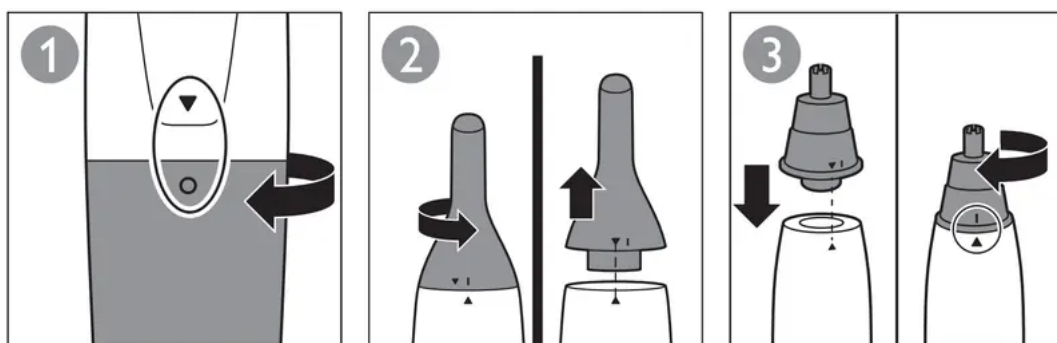


- 12 'Unlocked' Indicator
- 13 Locking Indicator
- 14 Short Eyebrow Guard
- 15 Long Eyebrow Guard
- 16 1 "AA" 1.5 Volt Lithium Battery
- 17 Storage Bag (NT3500)

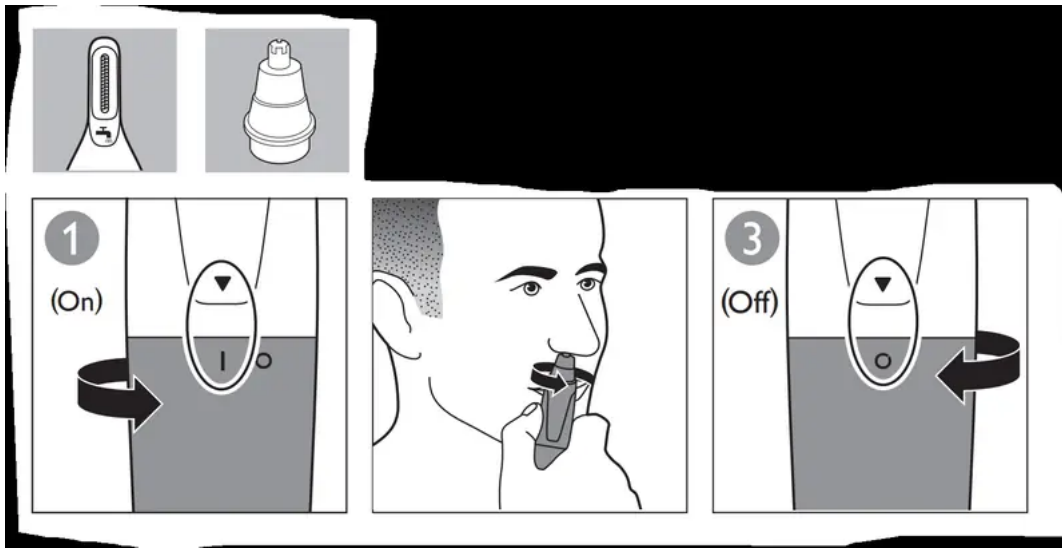
### Inserting Battery



### Detaching/Attaching Cutting Elements



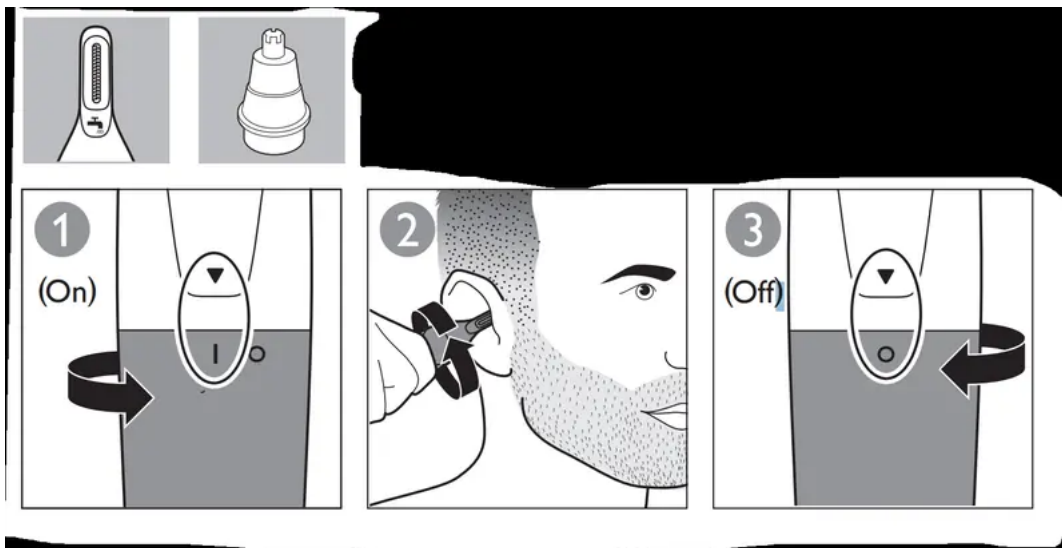
## TRIMMING NOSE HAIR



- You can use the precision trimming head or the nose/ear hair trimmer to trim nose hair.
- Make sure nasal passages are clean before trimming.
- Clean thoroughly after each use.

**Tip:** For best results, slowly move trimmer tip in and out of each nostril making sure the side of the tip is held firmly against the skin. This will reduce the tickling effect that can occur.

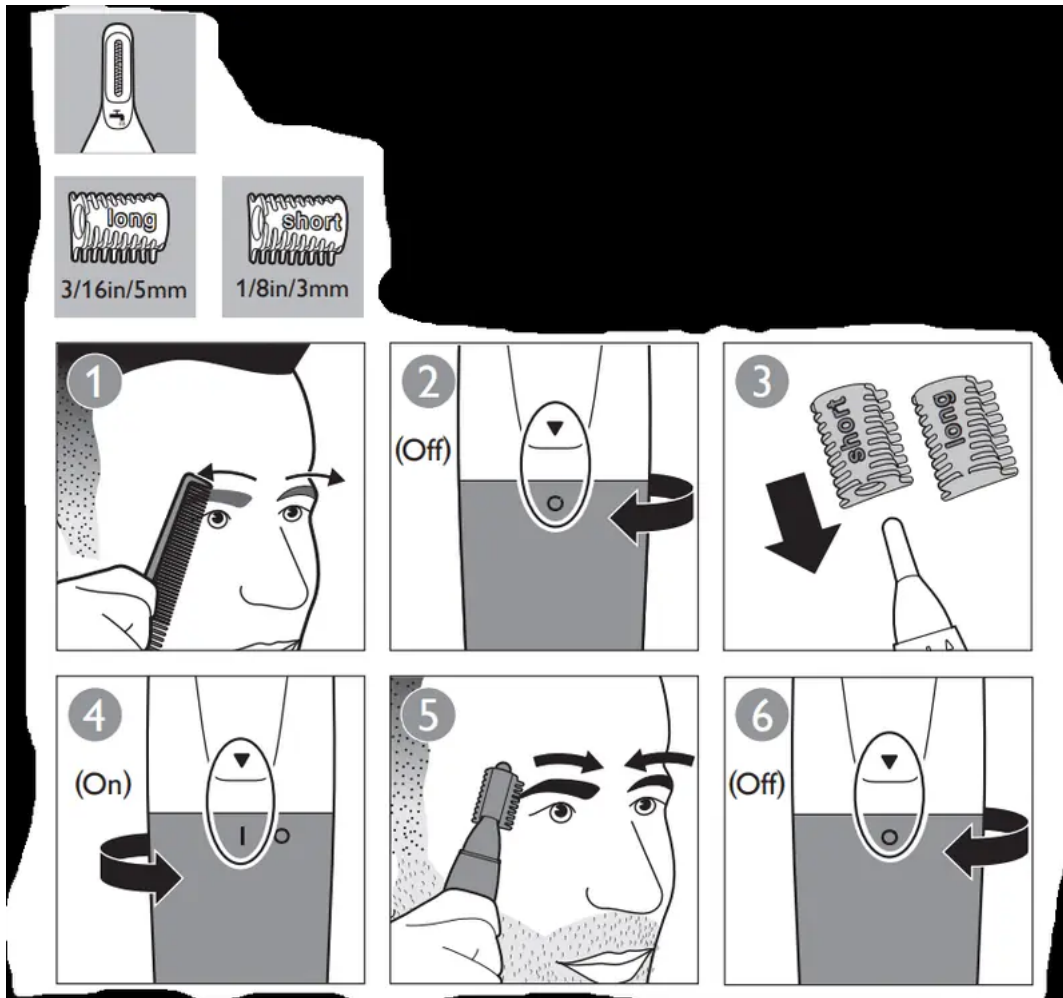
## TRIMMING EAR HAIR



- You can use the precision trimming head or the nose/ear hair trimmer to trim ear hair.
- Before trimming, clean the outer area of the ear and make sure it is free of wax.
- Clean thoroughly after each use.

**Tip:** You can also trim your neck hair. Pull skin taut with one hand and place the trimmer gently on the skin. Move the trimmer slowly over the skin against the direction of hair growth making sure the trimmer is in complete contact with the skin.

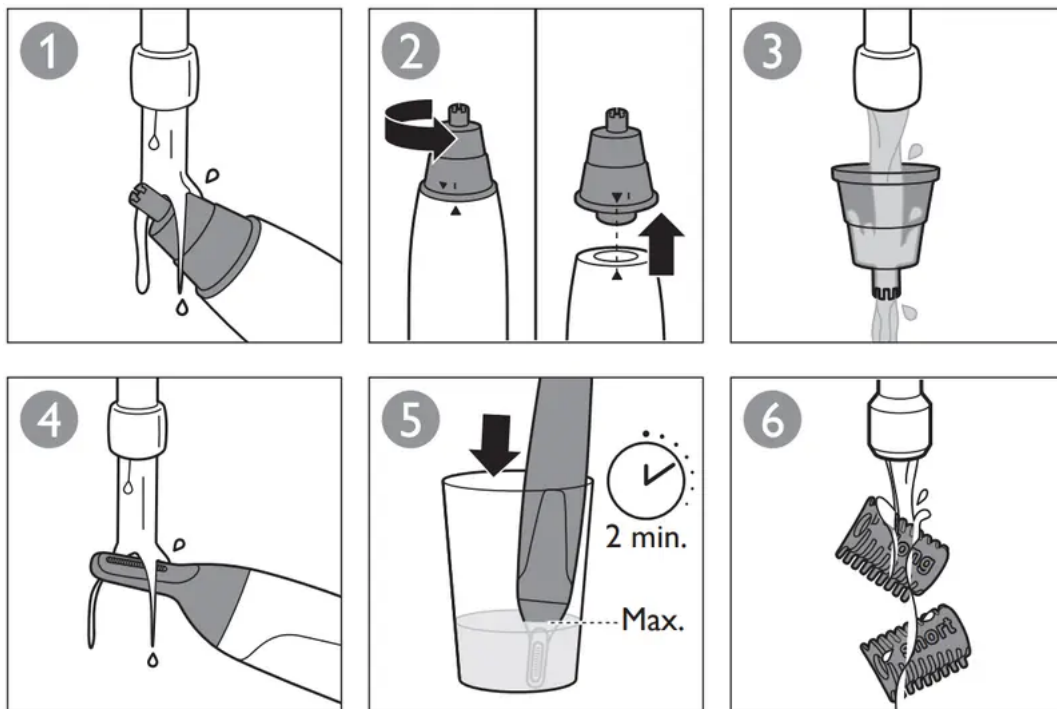
## TRIMMING EYEBROWS



Make sure the guard slides into the grooves on both sides of the trimmer.

**Tip:** If trimming for the first time, start by using the Long Guard (3/16 in./5mm) to prevent accidentally trimming hairs too short.

## CLEANING



**Note:** Allow all parts to air dry thoroughly.

**Tip:** For best cleaning results, immerse only the cutting element of the trimmer head in warm water for a few minutes and then turn trimmer ON to remove any remaining debris/hairs.

## STORAGE

► Store the appliance in a safe, dry location.

## TROUBLESHOOTING

Problem	Possible cause	Solution
The appliance does not work as well as it should.	Hairs may be stuck in the cutting element or guards.	Clean the appliance
The appliance pulls on the hairs.	You move the appliance too fast.	Do not move the appliance too fast.
	The disposable battery is empty.	Insert a new battery.
The appliance does not work.	The disposable battery is empty or has been inserted incorrectly.	Replace the battery or insert it correctly.
	The cutting element of the trimmer head is dirty.	Immerse the cutting element in a glass of warm water for a few minutes. Turn on trimmer to remove any remaining debris/ hairs.

### Warning

This content is compiled from multiple sources and is provided for reference purposes only. It may not be complete or fully applicable to all situations. If you are unable to resolve your issue, please contact the product manufacturer or an authorized service provider for official support.